

# QNE-8021R

5M H.265 NW IR Flateye Camera



## Key Features

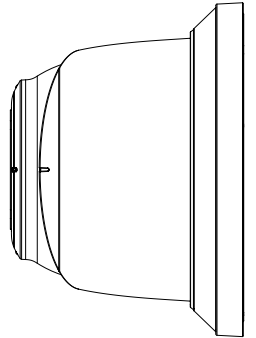
- Max. 5Megapixel (2592 x 1944) resolution
- 4mm fixed lens
- 0.15Lux (Color), 0Lux (B/W, IR LED on)
- Max. 30fps@5MP (H.265 / H.264)
- H.265, H.264, MJPEG codec support, Multiple streaming
- Day & Night, WDR (120dB)
- Tampering, Motion detection, Defocus detection
- Micro SD / SDHC / SDXC memory slot (Max. 128GB)
- Hallway view, WiseStream II support
- IR Viewable length 20m
- LDC, PoE

<b>Video</b>	
Imaging Device	1/2.8" 5MP CMOS
Effective Pixels	2592(H)x1944(V)
Min. Illumination	Color: 0.15Lux(F1.6, 1/30sec) BW: 0Lux(IR LED on)
<b>Lens</b>	
Focal Length (Zoom Ratio)	4.0mm fixed focal
Max. Aperture Ratio	F1.6
Angular Field of View	H: 80.1°/ V: 58.0°/ D: 105.8°
Focus Control	Fixed
<b>Pan / Tilt / Rotate</b>	
Pan / Tilt / Rotate Range	0°~350° / 0°~75° / 0°~360°
<b>Operational</b>	
IR Viewable Length	25m(82.02ft)
Camera Title	Displayed up to 85 characters
Day & Night	Auto(ICR)
Backlight Compensation	BLC, WDR, SSSDR
Wide Dynamic Range	120dB
Digital Noise Reduction	SSNR
Motion Detection	4ea, polygonal zones
Privacy Masking	6ea, rectangular zones
Gain Control	Low / Middle / High
White Balance	ATW / AWC / Manual / Indoor / Outdoor
LDC	Support
Electronic Shutter Speed	Minimum / Maximum / Anti flicker (1/5~1/12,000sec)
Video Rotation	Flip, Mirror, Hallway view(90°/270°)
Analytics	Defocus detection, Directional detection, Motion detection, Enter/Exit, Tampering, Virtual line
Alarm Triggers	Analytics, Network disconnect
Alarm Events	File upload via FTP and e-mail Notification via e-mail SD/SDHC/SDXC or NAS recording at event triggers
<b>Network</b>	
Ethernet	RJ-45(10/100BASE-T)
Video Compression	H.265/H.264: Main/High, MJPEG
Resolution	2592x1944, 1920x1080, 1280x960, 1280x720, 800x600, 800x448, 720x576, 720x480, 640x480, 640x360
Max. Framerate	H.265/H.264: Max. 30fps/25fps(60Hz/50Hz) MJPEG: Max. 15fps/12fps(60Hz/50Hz)
Smart Codec	WiseStream II
Bitrate Control	H.264/H.265: CBR or VBR MJPEG: VBR
Streaming	Unicast(6 users) / Multicast Multiple streaming(Up to 3 profiles)

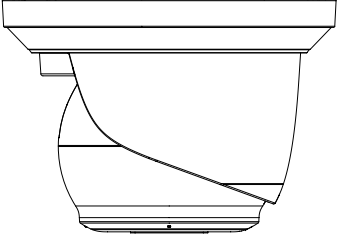
<b>Protocol</b>	IPv4, IPv6, TCP/IP, UDP/IP, RTP(UDP), RTP(TCP), RTCP, RTSP, NTP, HTTP, HTTPS, SSL/TLS, DHCP, FTP, SMTP, ICMP, IGMP, SNMPv1/v2c/v3(MIB-2), ARP, DNS, DDNS, QoS, UPnP, Bonjour, LLDP
<b>Security</b>	HTTPS(SSL) Login Authentication Digest Login Authentication IP Address Filtering User access log 802.1X Authentication(EAP-TLS, EAP-LEAP)
<b>Edge Storage</b>	Micro SD/SDHC/SDXC 1slot 128GB
<b>Application Programming Interface</b>	ONVIF Profile S/G/T SUNAPI(HTTP API) Wisenet open platform
<b>Web Viewer</b>	Supported OS: Windows 7, 8.1, 10, Mac OSx10.12, 10.13, 10.14 Recommended Browser: Google Chrome Supported Browser: MS Explore11, MS Edge, Mozilla Firefox(Window 64bit only), Apple Safari(Mac OSxonly)
<b>Memory</b>	512MB RAM, 256MB Flash
<b>Environmental</b>	
<b>Operating Temperature / Humidity</b>	-30°C ~ +55°C(-22°F ~ +131°F) / Less than 90% RH * Start up should be done at above -20°C
<b>Storage Temperature / Humidity</b>	-30°C ~ +60°C(-22°F ~ +140°F) / Less than 90% RH
<b>Certification</b>	IP67, IK10
<b>Electrical</b>	
<b>Input Voltage</b>	PoE(IEEE802.3af, Class3)
<b>Power Consumption</b>	PoE: Max 7.40W, typical 5.50W
<b>Mechanical</b>	
<b>Color / Material</b>	White / Aluminum
<b>RAL Code</b>	RAL9003
<b>Product dimensions / weight</b>	Ø125.0x87.4mm(Ø4.92x3.44"), 645g(1.42 lb)
<b>DORI</b>	
<b>Detect</b>	61.7m(202.33ft)
<b>Observe</b>	24.7m(80.93ft)
<b>Recognize</b>	12.3m(40.47ft)
<b>Identify</b>	6.2m(20.23ft)

- The latest product information / specification can be found at [hanwha-security.com](http://hanwha-security.com)
- Design and specifications are subject to change without notice.
- Wisenet is the proprietary brand of **Hanwha Techwin**, formerly known as Samsung Techwin.

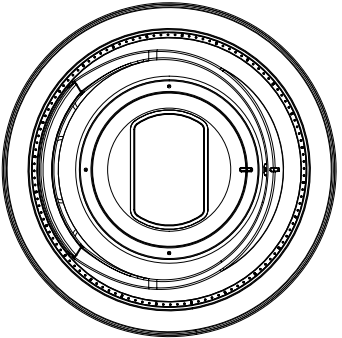
NO	PART NAME	CODE NO.	MATERIAL	QTY	REMARK
1	ASSY-TOTAL QNB-8011R Y1	000001		1	



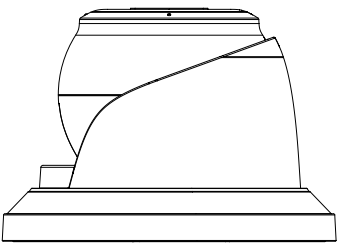
[REAR VIEW]



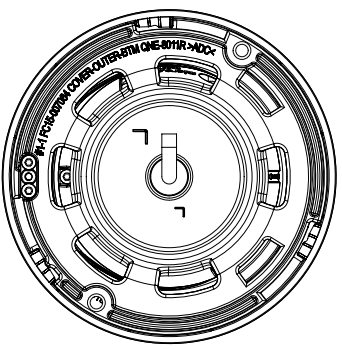
[LEFT VIEW]



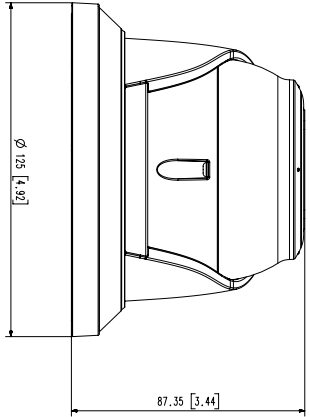
[TOP VIEW]



[RIGHT VIEW]



[BOTTOM VIEW]



[FRONT VIEW]

• Dimension Unit : mm [inch]

UNIT	MM	DESIGN	CHECK	APPROVAL	PART NAME
SCALE	1/1	CHOI, R. S.		CHOI, Y. S.	APPEARANCE QNB-8011R
		19.04.08		19.04.08	MODEL NAME QNB-8011R/QNB-8021R
					CODE NO. QNB-8011R/QNB-8021R

