

Universal Bracket - Datasheet

The Ambrac Universal Bracket is compatible with the:

- **Ajax MotionProtect Outdoor**
- **Ajax MotionCam Outdoor.**
- **Ajax MotionCam (indoor sensor)**

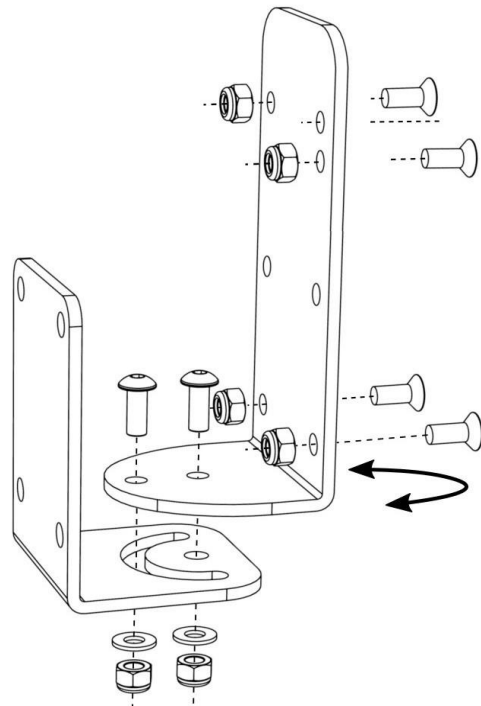
The bracket allows the sensors to be adjusted within a **180-degree angle** from the mounting surface. This is useful when the sensor's detection zone needs to be positioned away from certain vegetation or objects that may cause false alarms.

The bracket is powder coated stainless steel for added weather durability. The bracket is also supplied with stainless steel nuts and bolts required for mounting the sensors.



Tech Specs

Total weight (both front & back plate)	22g
Dimensions	Front plate (135 mm x 43 mm); Back plate (104mm x 43 mm)
Thickness	2.50 mm stainless steel
Material	Stainless steel
Colour	White powder coated
Warranty	1 year



What's in the box:

- 1 x front plate (to attached to sensors lid)
- 1 x back plate (to attached to mounting surface)
- Instruction leaflet.
- All stainless steel nuts, bolts, washes and screws required for mounting.