

ATTENTION:

Please monitor use when around children. Do not place near any heat sources or in direct sunlight. Strong direct light can cause the lamp to shut off and overheat. Do not block the lamp head and leave at least 15 inches above the lamp head and structures such as book case shelves. Do not cover the lamp with cloth, paper, or other flammable materials. Do not look directly into the light source to avoid damage to the eyes. Lamp is for indoor use only. Place lamp on a dry, flat, secure surface. Clean lamp with a dry or damp soft cloth. Never use cleaning solvents. Do not touch lamp with wet hands or use around liquids. Do not use lamp with frayed or damaged electrical cord. Do not use extension cords or power strips. Use ONLY the supplied AC power adapter. The adapter plug must be inserted into the electrical socket firmly. Unplug the adapter when the lamp will not be in use for long periods.

When unplugging the adapter be sure to grip the power cord by the adapter to avoid damaging it. Do not tamper, disassemble, replace parts, or try to repair the AC adapter. Do not repair, disassemble, or modify the lamp. (Warranty will be void) Never overload electrical circuits as it may cause electrical shock or fire. Unplug immediately if there is smoke or odor from the lamp.

If the light will not turn on or is flickering check these steps:

If the lamp doesn't work, please remove the lamp from the base and insert it again. Check that the adapter is plugged into the wall. Check the DC connection socket. If you have checked the above steps and the light is still off or flickering, please do not disassemble, tamper with the lamp, or attempt to replace any parts. In case of malfunction, please contact us by email at support@otusworld.com

WARRANTY:

- 1) This lamp warranted against all manufacturing defects for 18 full months after the date of purchase with a FULL REFUND or REPLACEMENT.
- 2) Some shipping may apply.
- 3) Please refer all quality related issues by email: support@otusworld.com

WARRANTY DOES NOT COVER THE FOLLOWING CASES:

- 1) When product has been damaged due to user's mishandling, abuse, or improper operation.
- 2) When the product has been damaged due to the user's modification, attempted repair, or otherwise access to non-serviceable areas.
- 3) When the product is damaged due to floods, pollution, earthquakes, and any other natural or unnatural disaster, and acts of war or terrorism.

LED DESK LAMP

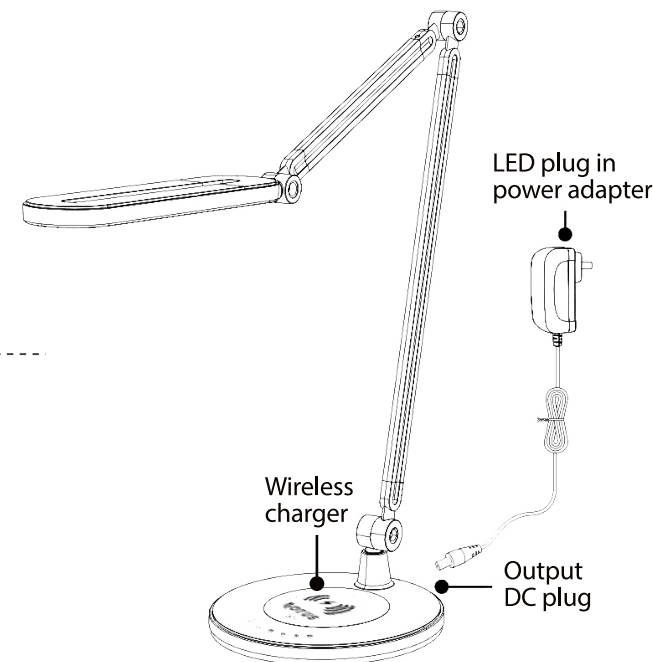
users manual



www.otusworld.com

OTUS LED desk lamp

MODEL: DL-006
POWER 10 W



PACKAGE CONTENTS:

- Led desk lamp
- AC adapter
- Users manual

The LED light produces a steady natural light that is free of glare and reduces eyestrain.

The electrical adapter uses a safe low voltage DC 12V power supply and input voltage from 100V to 240V.



Dimmable



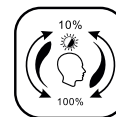
Touch control



3 Color modes



Eye-care technology



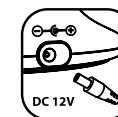
Memory function



Qi-Type wireless charger

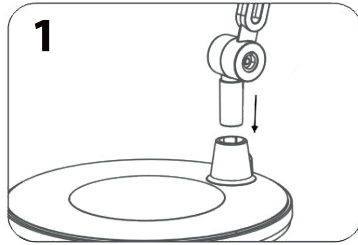


No flicker
No Strobes

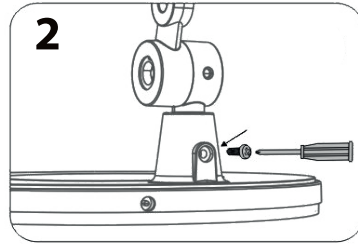


Low voltage output: 12V

INSTALLATION

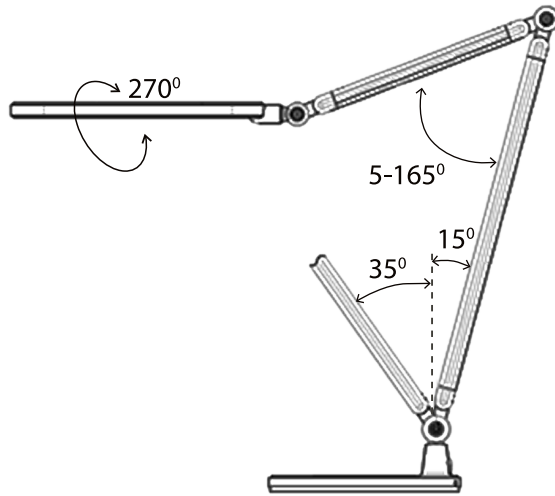
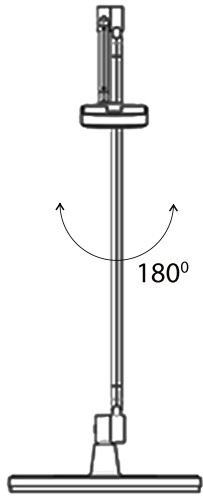


1
Insert the lamp hose into the base, make sure it's in well connection.



2
Take the screw from the base and tighten them with a screwdriver.

ADJUSTABILITY



POWER ADAPTER:

Input voltage: AC 100-240V

Output voltage: DC 13,5V 550mA

The adapter may not work properly when the voltage is less than 100V.

The adapter should be used under input voltage of 100-240V.

CONTROL PANEL



RELAX mode: Warm light 2700-3000K
WORK mode: Cool daylight light 6000K
READ mode: Natural daylight light 4200K
LOW - brightness down
HIGH - brightness up
ON/OFF power

5W Qi-TYPE WIRELESS CHARGER

for iPhone: 8, 8 Plus, X and late, Samsung Galaxy S7/S7 EDGE/ S8/ S8+/ NOTE 8/ S9/ S9+
 for LG: v30 GPRO, G6(US), G8(EU), Nokia: Lumia 830, Lumia 930, Xiaomi mix 28

Output: 5V/1A

Charging efficiency: 70%

Transmission distance: 7 mm

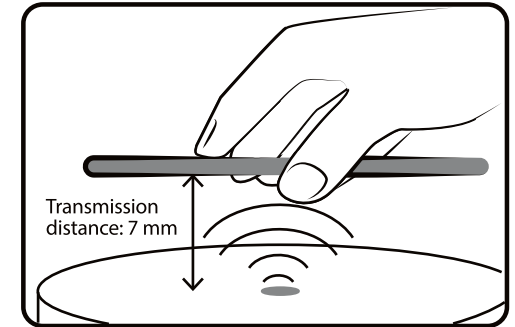
Over-voltage protection: Yes

Over-current protection: Yes

Over-heating protection: Yes

Overcharge protection: Yes

When battery is full, it will go sleep mode: Yes

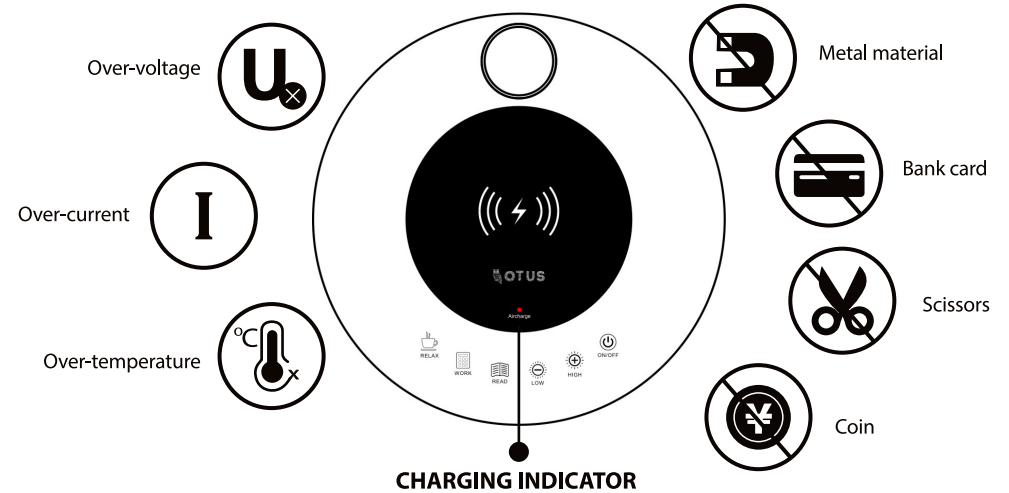


Does not affect human health.

Does not use it if your phone does not have wireless charging function.

Do not put bank cards, scissors, jewelry, coins and other metal materials on the lamp base.

To avoid phone overheating and charging failure the middle of phone shall be placed over against the charging mark.



CHARGING INDICATOR

Standby mode - Light is OFF.

RED light is ON - while charging.

Light is OFF - your device is fully charged.

Prevent overcharging

email us: support@otuswold.com

