



INSTALLATION INSTRUCTIONS

DURALUX

HIGH OUTPUT LED WORKLIGHT

Installation Instructions & User's Manual



VISION X



About the DURALUX 6 Kit:



FEATURES

1. Powerful 5-watt LEDs Driven to 90% Efficiency
2. Integrated Electronic Thermal Management (ETM)
3. Very Low Amp Draw

DURALUX 6 LED SERIES SPECIFICATIONS

1. Warranty : Extended
2. Housing Colors : Black
3. Beam Patterns : 10°
4. Wattage : 30 Watt (6 LEDs)
5. LED Lifespan : 50,000 Hours

PREPARATION

1. We recommend completely reading instructions before installing.
2. Consult your local state regulatory agency regarding the use of LED lighting.
3. The placement of LED lighting should not restrict airflow to the radiator, or block head lamps, turn signals, or parking lights.

MAINTENANCE

1. All Vision X models have been designed for maintenance free use. In the case an LED lamp or other part replacement is needed please contact your authorized service center.

DURALUX KIT



1 LED Light




MOUNTING Qty: 2

2 Two Light




WIRING Qty: 1

3 Hex Head




PART (M1) Qty: 2

4 Allen Key



PART (M5) Qty: 1

5 Washer



PART (M2) Qty: 2

6 Nylock Nut



PART (M3) Qty: 2

WARNINGS

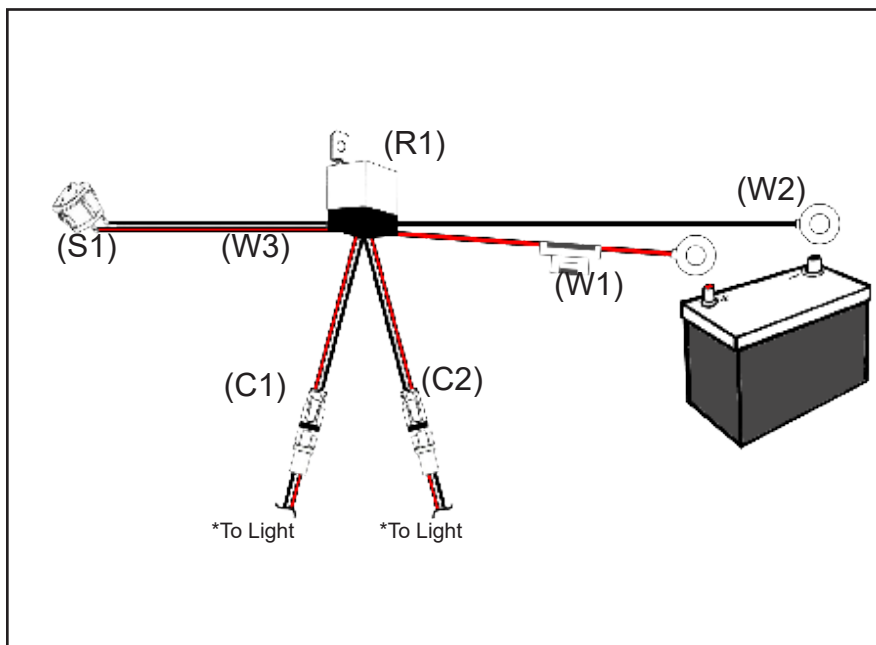
As with many other high-tech products, this VISION X LED requires a bit of attention before you can use it. Please read the accompanying information carefully first.

1. Don't stare directly into the light or shine directly into the eyes of another person as this may cause temporary loss of vision.
2. Never disassemble the products, as all parts must be factory serviced to insure proper operation.
3. Don't interchange the parts inside this light with other products.
4. The LED light is to be mounted on the vehicle only in a vertical, bottom mounting, or in a suspended position.
5. After turning on the light, the body might be hot enough to warrant a burn risk. Be careful when you touch the body after turning on the light for a long period of time.
6. Use the supplied wire harness for electrical installation.
7. The LED light must not adversely affect the performance of low beam, high beam, engine cooling or the driver's view.

WIRING INSTALLATION

1. Find a suitable place to mount Relay [Part R1] leaving enough room for Power & Ground Wire [Parts W1 & W2] to reach the Battery & the Deutsch Connector Wiring [Parts C1 & C2] to reach the Lights. Mount Relay.
2. Run Power Wire [Part W1] & Ground Wire [Part W2] to the Battery. Connect the Power Wire [Part W1] to the Positive (+) Battery Terminal & connect the Ground Wire [Part W2] to the Negative (-) Battery Terminal.
3. Run the Deutsch Connector Wiring [Parts C1 & C2] to each Light and Plug in. It doesn't matter which Deutsch Connector plugs into which Light.
4. Unplug Power Wire [Part W3(+)] from the Toggle Switch [Part S1]. Run Power Wire [Part W3(+)] to the Vehicles Fire Wall at the point that you will bring the Wire through to the inside of the Cab (using a Factory Rubber or Plastic Grommet is suggested). Run Power Wire [Part W3(+)] to the inside of the Cab. Note: This Wire can be extended if necessary.
5. Find a suitable place to Drill the Hole needed to mount the Toggle Switch [Part S1] and Continue to run the Power Wire [Part W3(+)] to that location. Plug the Power Wire [Part W3(+)] into Outside Pin of Toggle Switch [Part S1]. It doesn't matter which Outside Pin you use.
6. Drill the Hole to the required size for the Threaded Neck Portion of the Toggle Switch [Part S1]. Mount Toggle Switch [Part S1].
7. Find a Factory Positive (+) Constant Wire, Positive (+) Ignition Wire, or Positive (+) Parking Light Wire depending on how you want your Toggle Switch [Part S1] to operate your Vision X Lights. This is the Wire that you will connect the Power Wire [Part W4(+)] to. There are many different ways to connect or "Tap" into a Wire (soldering is suggested).
8. Connect the Power Wire [Part W4(+)] to the Factory Positive (+) Wire you have chosen.
 1. If you selected a Constant Wire to Connect the Power Wire [Part W4(+)] to then you will be able to use the Toggle Switch to turn you Vision X Lights On & Off at all times.
 2. If you selected an Ignition/Acc Wire to Connect the Power Wire [Part W4(+)] to then you will have to have the Ignition turned on to use the Toggle Switch to turn you Vision X Lights On & Off.
 3. If you selected a Parking Light Wire to Connect the Power Wire [Part W4(+)] to then you will have to have the Parking Lights turned on to use the Toggle Switch to turn you Vision X Lights On & Off.

DURALUX KIT



COMPONENTS KEY

Part (R1) Relay

Part (W1) Ground Wire for Relay Coil
a. 12 Volt Negative (-) Input Wire

Part (W2) Power Wire for Relay Coil
a. 12 Volt Positive (+) Input Wire

Parts (C1 & C2) Deutsch Connectors for Lights
a. Attached to 12 Volt Positive (+) Power Wires

Part (W3) Power Wire for Relay Input
a. 12 Volt Positive (+) Input Wire [Part R1]

Part (S1) Toggle Switch

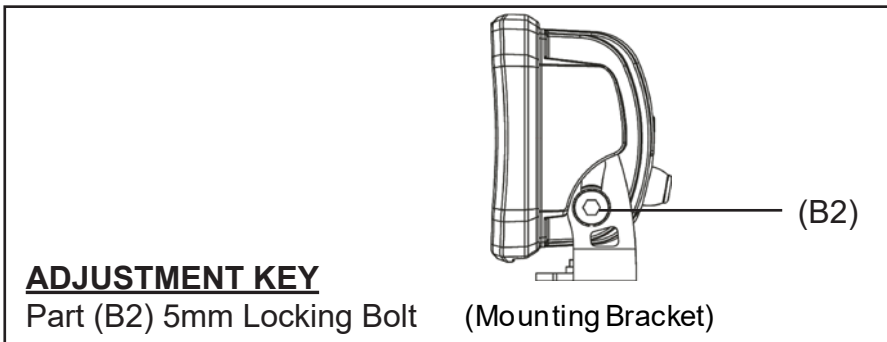
Part (W4) Power Wire for Switch Input
a. 12 Volt Positive (+) Input Wire for Switch [Part S1]

MOUNTING INSTALLATION INSTALLATION

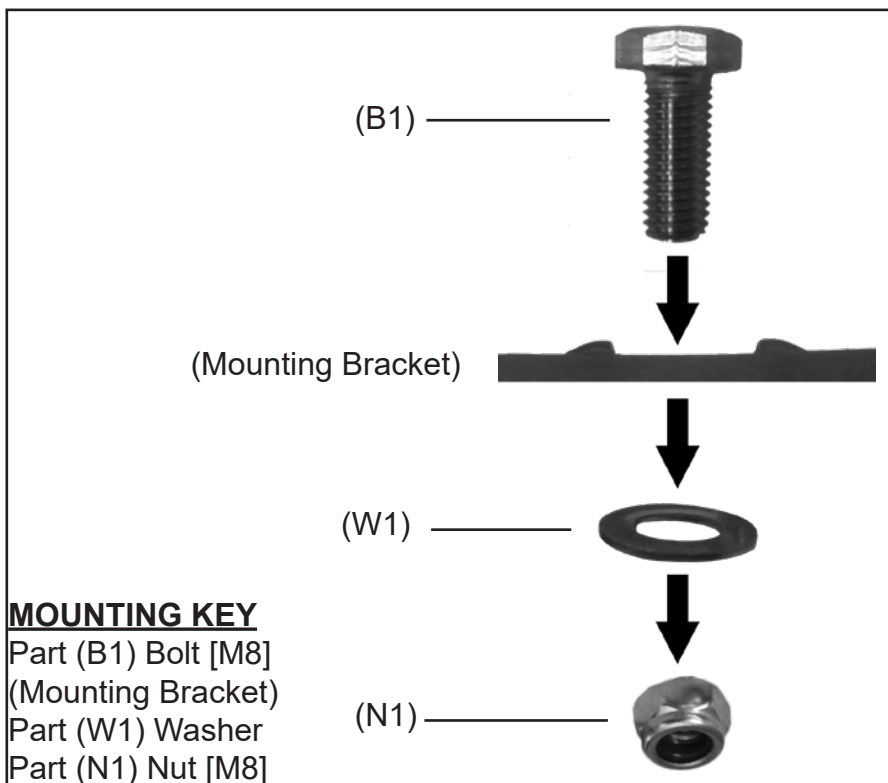
1. Determine where the light/lights will be placed.
2. Place mounting bracket with light to desired location. Using a marker or pick tool, mark the center point of the bolt hole on the mounting surface.
3. Set the light aside. Drill out a large enough hole to fit the [M8] bolt Part (B1).
4. Remove the mounting bracket from the lights by unscrewing the (2) 5mm Allen Head Bolt Part (B2).
5. Line up the mounting bracket with the hole you just drilled, slide the [M8] Bolt (B1) through both.
6. On the other side of mounting surface slide the [M8] Washer Part (W1) and [M8] Nylock Nut Part (N1) onto the [M8] Bolt (B1). Tighten Nut & Bolt to desired tightness.
7. Reassemble the light back on the mounting bracket by reapplying the 5mm Allen Head Bolts (B2). Tighten to desired tightness.

LIGHT ANGLE ADJUSTMENT

1. Use the 5mm Allen Key Part (A1) to loosen the Allen Head Bolts Part (B2) on each light.
2. Adjust the light until you have your desired angle.
3. Tighten the Allen Head Bolts to hold the desired position.



DURALUX KIT



WARNING: Bolts, Nuts, and Washers are Stainless Steel. DO NOT USE Pneumatic or Electric Tools to Tighten and Loosen. The Hardware Will Permanently Lock Together.



ADDITIONAL INFORMATION

If needed, additional information and related products, as well as a digital copy of these instructions, can be located online at www.visionxusa.com



You May Also Be Interested In:



Part # - 9900162
Item # - P-DURA4FLUSHMOUNT
DURA 4 Flush Mount Bracket



SECURITY BOLT
Available in multiple sizes



SECURITY NUT
Available in multiple sizes



Part # - 9895499
Item # - DURA-M460
2.75" Mini DURA



CLAMP TUBE MOUNT
(0.75"-3.0" Diameter Available)