



# INSTALLATION INSTRUCTIONS

# DURALUX HIGH OUTPUT LED WORKLIGHT

Installation Instructions & User's Manual



# VISION X

---

## DURA-4:



### **FEATURES**

1. Four 5-watt LED Produces 2,150 Lumens
2. Single Bolt mounting for easy & universal installation
3. High Pressure spray IP-69K waterproof

### **XIL-OPR110 SERIES SPECIFICATIONS**

1. Warranty : Extended
2. Housing Colors : Black
3. Amp Draw : 1.67A (12V)
4. Input Voltage : 9-32V
5. LED Lifespan : 50,000 Hours

### **PREPARATION**

1. We recommend completely reading instructions before installing.
2. Consult your local state regulatory agency regarding the use of LED lighting.
3. The placement of LED lighting should not restrict airflow to the radiator, or block head lamps, turn signals, or parking lights.

### **MAINTENANCE**

1. All Vision X models have been designed for maintenance free use. In the case an LED lamp or other part replacement is needed please contact your authorized service center.

**TIP:** For complete application guide see Website



## **WARNINGS**

As with many other high-tech products, this VISION X LED requires a bit of attention before you can use it. Please read the accompanying information carefully first.

1. Don't stare directly into the light or shine directly into the eyes of another person as this may cause temporary loss of vision.
2. Never disassemble the products, as all parts must be factory serviced to insure proper operation.
3. Don't interchange the parts inside this light with other products.
4. The LED light is to be mounted on the vehicle only in a vertical, bottom mounting, or in a suspended position.
5. After turning on the light, the body might be hot enough to warrant a burn risk. Be careful when you touch the body after turning on the light for a long period of time.
6. Use the supplied wire harness for electrical installation.
7. The LED light must not adversely affect the performance of low beam, high beam, engine cooling or the driver's view.

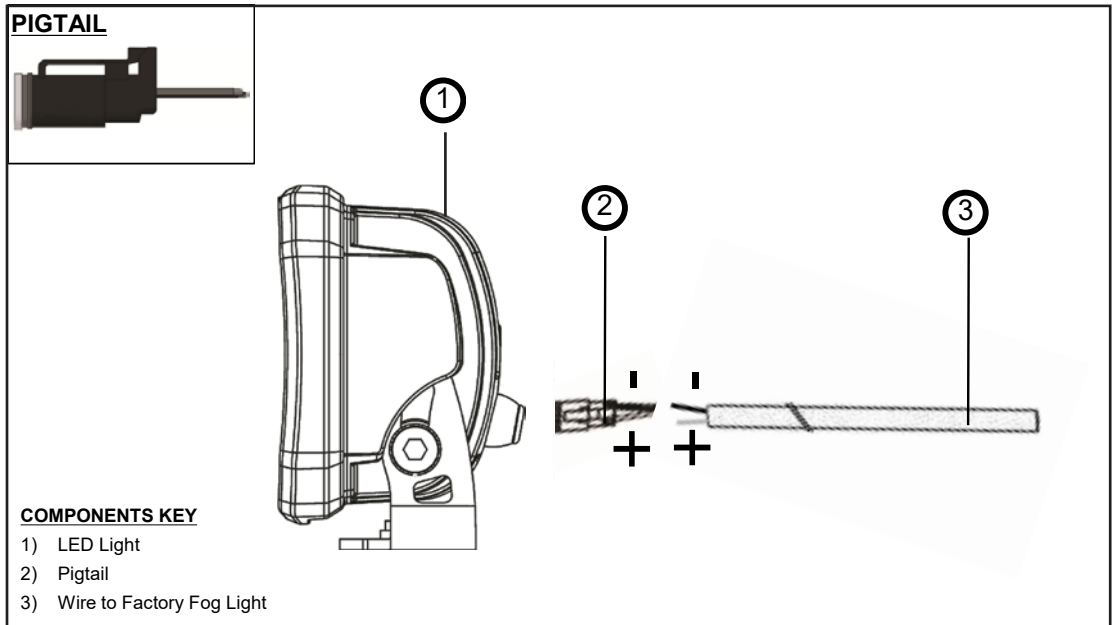
# VISION X

## MANUFACTURER RECOMMENDATION

For those unfamiliar with electrical wiring on vehicles, Vision X recommends that all LED Lighting products are professionally installed.

## WIRING INSTALLATION

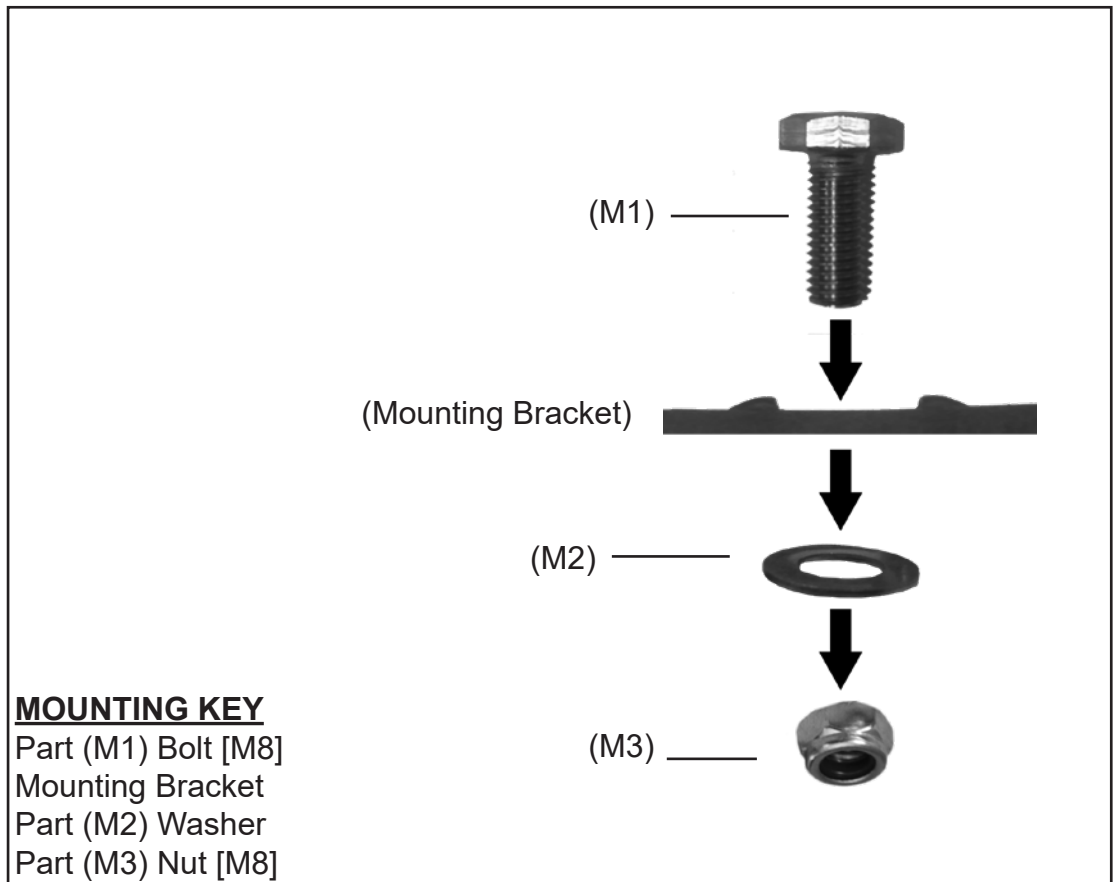
1. Disconnect your battery before instal.
2. Find the factory fog Light harness or an existing power source, to tap into.
3. Connect the positive (red) Pigtail wire to the positive wire of your previous wiring harness. Repeat this step for the negative Pigtail (black) wire as well.
4. Once the Pigtail is connected to the factory wiring harness, its ready to plug into the LED Light for use.



**WARNING: Bolts, Nuts, and Washers are Stainless Steel. DO NOT USE Pneumatic or Electric Tools to Tighten and Loosen. The Hardware Will Permanently Lock Together.**

## MOUNTING INSTALLATION

1. First, place the Light on the location where it will be mounted. Remember that it must be within reach of the harness.
2. Next determine where the (M8) bolt will be placed, and mark where the bolt locations will be.
3. Drill a hole for the (M8) bolt.
4. Place the Light over the hole, and slide the bolt through. Washer is then applied on the other end of the drilled hole followed by the bolt.
5. Tighten nut to desired tightness.



**TIP:** For complete application guide see Website



## You May Also Be Interested In:



Part # - 4000322  
Item # - XIL-SRECEIVER  
Tow Hitch Mount



**Flush Mount**  
Ideal for bumpers



**Pro Pods**  
Available in multiple colors



Part # - 9893372  
Item # - XIL-C200  
Clamp Tube Mount  
(0.75"-3.0" Diameter Available)



Part # - 9897349  
Item # - XIL-SN06  
Security Hardware