



## CR3 Fog Light Mounting Kit

Ford F-150  
Ford F-250  
Ford F-350

AMNOEFRDT1CR

### Thank you for choosing VISION X

We know you would rather be riding your bike than wrenching on it, so we go the extra mile to make sure our instructions are clear and as easy to understand as possible. If you have any questions, comments, or suggestions don't hesitate to give our gear experts a call at (888) 489-9820 or visit [WWW.VISIONXOFFROAD.COM](http://WWW.VISIONXOFFROAD.COM)

### Please Read Before Installing

VISION X products should always be installed by a qualified technician. If you are unsure of your ability to properly install a product, please have the product installed by your local dealer. VISION X takes no responsibility for damages caused by improper installation. **Caution:** When installing electronics it is extremely important to pay close attention to how wires are routed to ensure the wires will not bind and have enough slack to operate properly.

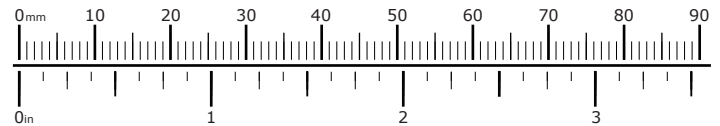
### Installation Tips

We strongly recommend using medium strength liquid thread locker on all screws, nuts, and bolts. It is also important to ensure that all hardware is tightened to the proper torque specifications as listed in your owner's manual. For included accessory hardware please refer to the default torque specifications provided below. Inspect all hardware after the first 30 miles to ensure proper torque specifications are maintained.

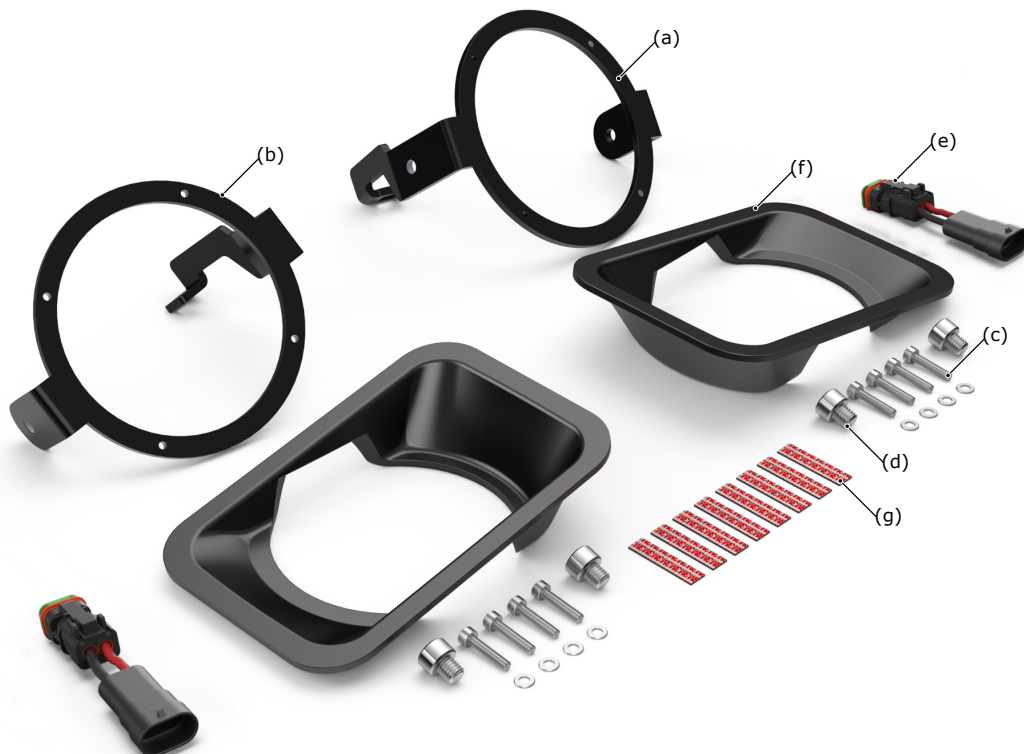
Bolt Size	in-lbs	ft-lbs	Nm
M3	10.0 in-lbs	-	1.0 Nm
M4	23.0 in-lbs	-	2.5 Nm
M5	44.5 in-lbs	3.5 ft-lbs	5.0 Nm
M6	78.0 in-lbs	6.5 ft-lbs	9.0 Nm
M8	-	13.5 ft-lbs	18.0 Nm
M10	-	30.0 ft-lbs	41.0 Nm
M12	-	52.0 ft-lbs	71.0 Nm

### Hardware Sizing Guide

Not sure what size bolt you have? Use this ruler to measure screws, bolts, spacers, etc. Remember, the length of a screw or bolt is measured from the start of the "mounting surface" to the end of the screw, so only include the screw head when measuring countersunk screws.



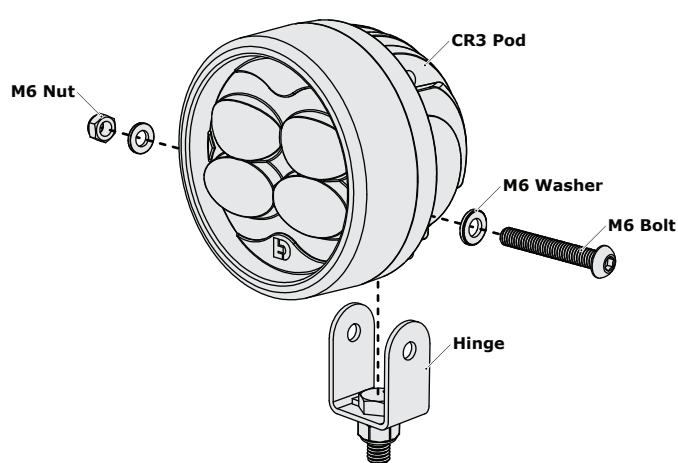
## What's In The Box?



### Kit Contents

- (a) Left Hand Side Mounting Bracket.....Qty 1
- (b) Right Hand Side Mounting Bracket.....Qty 1
- (c) M3x14 DIN 912.....Qty 8
- (d) M6x8 DIN 912.....Qty 4

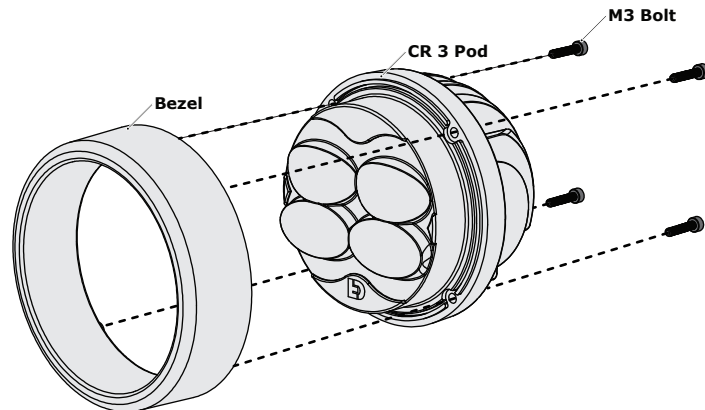
- (e) H10 Wiring Adapter.....Qty 2
- (f) Bezel.....Qty 2
- (g) Double-Stick Tape.....Qty 8



## 1.1 - Removing The Hinge

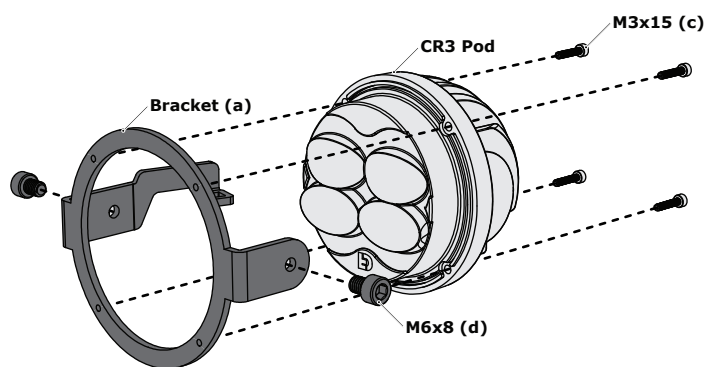
This CR3 Light Mounting Kit is designed to replace the OEM fog lights for Ford F150, F250 & F350 trucks. The CR3 lights will plug directly into the OEM harness and will be controlled from the original fog light switch.

**Step One:** The universal mounting hinge needs to be removed from the CR3 light pods. Use a 4mm allen key and 10mm wrench to remove M6 bolt, washers & nut from the sides of the pod, then remove the hinge.



## 1.2 - Removing The Bezel

**Step Two:** The bezel needs to be removed from the CR3 light pods. Use a 2.5mm allen key to remove the four M3 bolts from the back side of the pod, then remove the bezel.

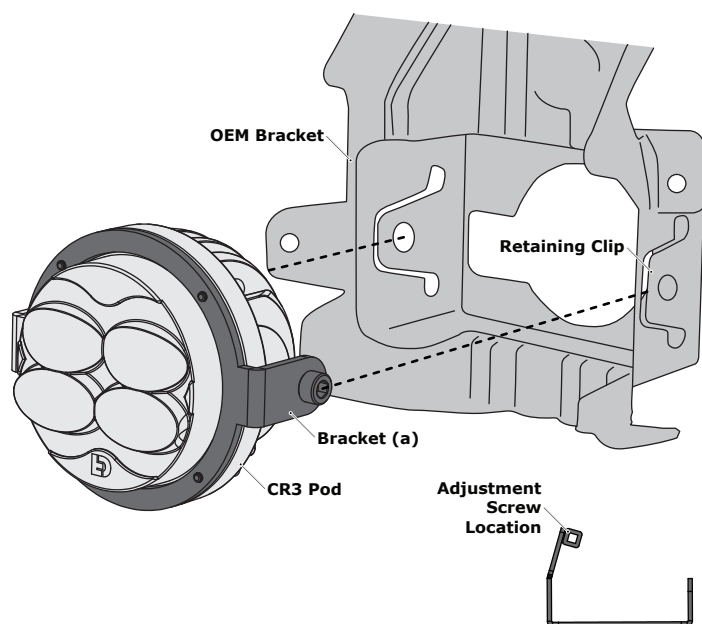


## 1.3 - Installing The Mounting Bracket

**Step Three:** The mounting bracket will be installed in place of the bezel. Use a 2.5mm allen key to attach the mounting bracket (a) to the pod using the four supplied M3x15 bolts (c).

**Note:** The left hand side pod is illustrated. Use mounting bracket (b) for the right hand side pod and mount in the opposite orientation.

**Step Four:** Install one M6x8 bolt (e) to either side of the mounting bracket.



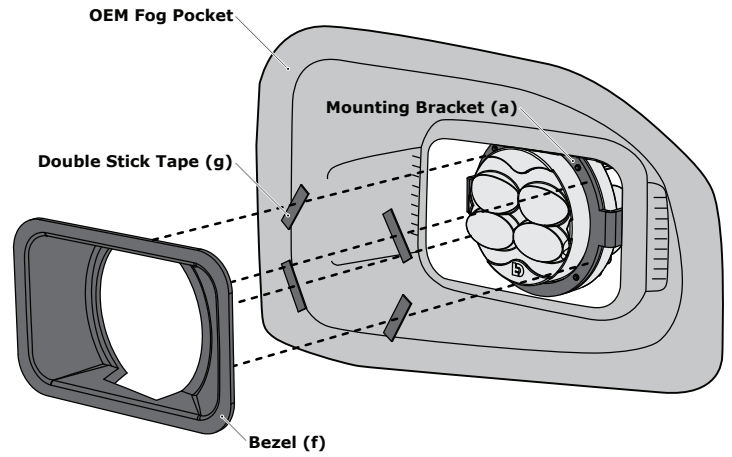
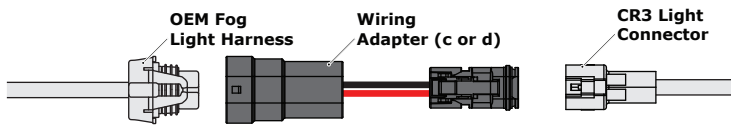
## 1.4 - Installing The CR3 Fog Light

**Step Five:** The OEM fog lights and brackets now need to be removed from the vehicle. The OEM lights can be accessed from the front wheel well, depending on your exact vehicle model, the plastic fender liner may need to be peeled back to access the lights.

**Step Six:** Once the OEM fog light and bracket has been removed from the vehicle, you will need to release the OEM fog light from the OEM bracket. To do so, first fully remove the adjustment screw, spring and plastic nut (*Set all three aside, they will be reused to install the CR3 pod*). Next, gently pry outwards on the retaining clips holding the OEM fog light in place and pull the out from the front of the OEM bracket.

**Step Seven:** Once the OEM fog has been removed the CR3 pod can be installed into the OEM bracket. Simply push the CR3 pod into the OEM bracket, it should snap into place on the retaining clips. Next the OEM adjustment screw, spring and plastic nut can be reinstalled between the OEM bracket and mounting bracket (a).

# Installing The CR3 Fog Lights (Continued)



## 1.5 - Connecting The CR3 Fog Light

**Step Eight:** Once the CR3 pod is installed into the factory bracket, the assembly can be reinstalled into the vehicle, reversing the steps used to uninstall the OEM fog lights.

**Step Nine:** Once installed, use the provided wiring adapter (e) to connect the CR3 light to the OEM wiring harness.

## 1.6 - Installing The Bezel

**Step Ten:** Once connected, adjust the aim of the lights using the factory adjustment screw. Aiming details and procedure can be found within the D3 light instruction manual.

**Step Eleven:** Once aiming is complete the final step is to install the new bezel (f) to the fog light pocket. Adhere the four double stick tape (g) pieces to the back of the bezel (f). Then stick the bezel (f) to the face of the metal mounting bracket (a), making sure the CR3 light is centered in the cut out of the bezel.