



CR3 Fog Light Mounting Kit Chevy Colorado, GMC Canyon

XIL-OEGM1CR

Thank you for choosing VISION X

We know you would rather be riding your bike than wrenching on it, so we go the extra mile to make sure our instructions are clear and as easy to understand as possible. If you have any questions, comments, or suggestions don't hesitate to give our gear experts a call at (888) 489-9820 or visit WWW.VISIONXOFFROAD.COM

Please Read Before Installing

VISION X products should always be installed by a qualified technician. If you are unsure of your ability to properly install a product, please have the product installed by your local dealer. VISION X takes no responsibility for damages caused by improper installation. **Caution:** When installing electronics it is extremely important to pay close attention to how wires are routed to ensure the wires will not bind and have enough slack to operate properly.

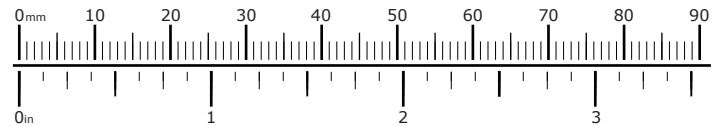
Installation Tips

We strongly recommend using medium strength liquid thread locker on all screws, nuts, and bolts. It is also important to ensure that all hardware is tightened to the proper torque specifications as listed in your owner's manual. For included accessory hardware please refer to the default torque specifications provided below. Inspect all hardware after the first 30 miles to ensure proper torque specifications are maintained.

Bolt Size	in-lbs	ft-lbs	Nm
M3	10.0 in-lbs	-	1.0 Nm
M4	23.0 in-lbs	-	2.5 Nm
M5	44.5 in-lbs	3.5 ft-lbs	5.0 Nm
M6	78.0 in-lbs	6.5 ft-lbs	9.0 Nm
M8	-	13.5 ft-lbs	18.0 Nm
M10	-	30.0 ft-lbs	41.0 Nm
M12	-	52.0 ft-lbs	71.0 Nm

Hardware Sizing Guide

Not sure what size bolt you have? Use this ruler to measure screws, bolts, spacers, etc. Remember, the length of a screw or bolt is measured from the start of the "mounting surface" to the end of the screw, so only include the screw head when measuring countersunk screws.



What's In The Box?

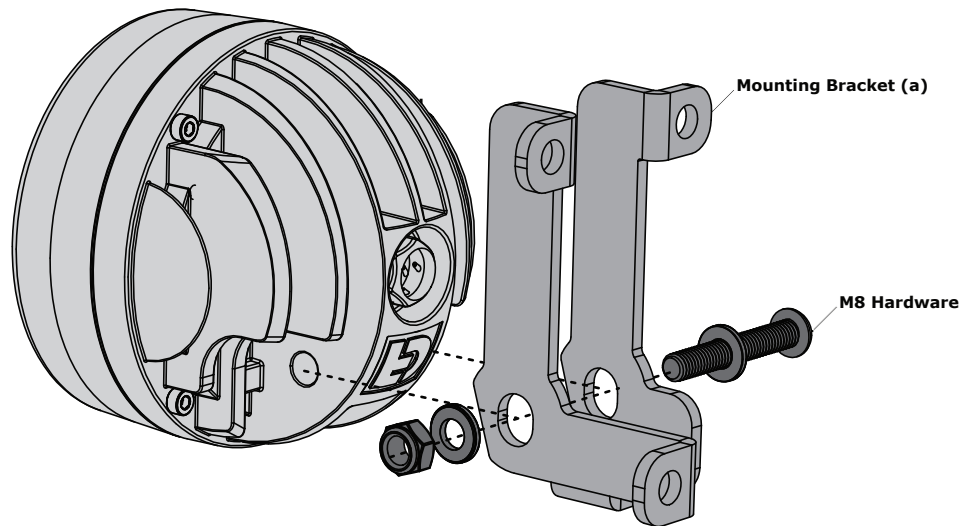


Kit Contents

- (a) LHS Mounting Bracket.....(LAH.53.001).....Qty 1
- (b) RHS Mounting Bracket.....(LAH.53.002).....Qty 1
- (c) M6x18mm Socket Head Screw DIN 912.....Qty 6
- (d) M6 Washer.....Qty 6

- (e) Spacer: ID=6.53 OD=11.1 L=4.76.....Qty 6
- (f) M6 Oversized Washer.....Qty 6
- (g) M6 Nyloc Nut DIN 985.....Qty 6
- (h) H16 to 2 Pin Deutsch DT (Reverse Polarity).(P-HARNES.16D.R)Qty 2

1. Installing the CR3 Fog Lights



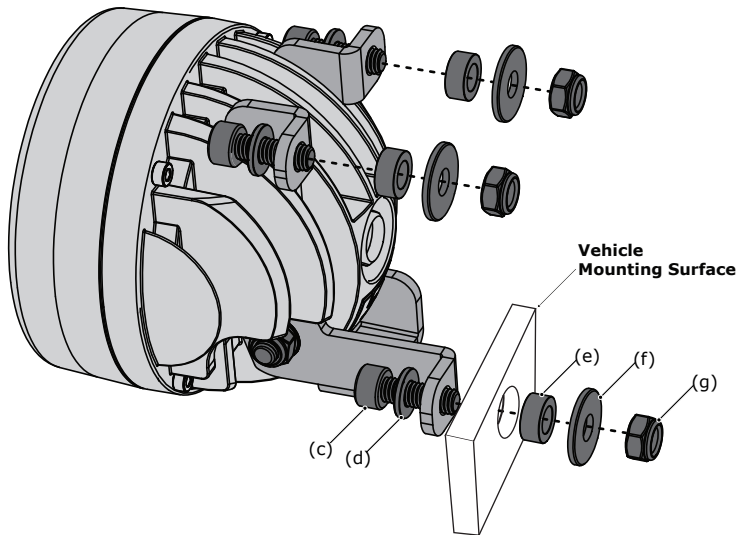
1.1 - Installing The Mounting Bracket

This CR3 Light Mounting Kit is a designed to replace the OEM fog lights for the Chevy Colorado and GMC Canyon. The CR3 lights will plug directly into the OEM harness via an adapter and will be controlled from the original fog light switch.

Step One: Remove the M8 bolt and washer from the CR3 pod, then slide the bracket (a or b) over the back of the CR3 pod.

1.2 - Installing The Mounting Bracket

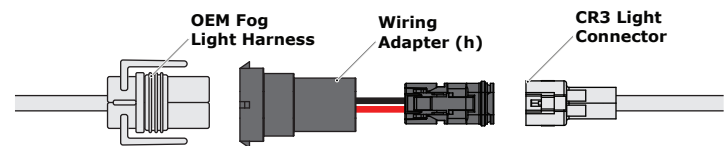
Step Two: Align the M8 bolt with the slotted hole in the mounting bracket (a or b), then use the M8 hardware to tighten the CR3 pod to the bracket (a or b). Keep the bolt only hand tight as final adjustments on the position may need to be made once the light is mounted in the bumper.



1.3 - Mounting The CR3 Fog Light

Step Three: Use the provided hardware to mount the D3 light into the fog pocket of the vehicle. To access the factory fog lights you will have to temporarily remove enough of the plastic snaps to peel back the wheel well liner. The M6x18 screw (c) and Washer (d) will pass through from the inside of the bracket into the mounting hole. The Spacer (e) will sit in the recess on the vehicle mounting surface and the Oversized Washer (f) and M6 Nyloc Nut (g) will secure it from behind.

Step Four: Make final adjustments to the positioning of the light in its slot, then fully tighten the M8 hardware.



1.4 - Connecting The CR3 Fog Light

Step Five: Once installed, use the provided wiring adapter (h) to connect the CR3 light to the OEM wiring harness.