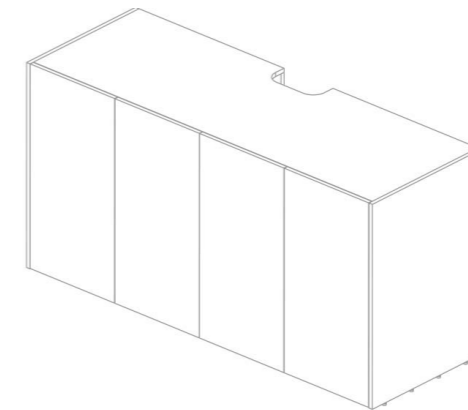


**WATERBOX**<sup>®</sup>  
A Q U A R I U M S

# Aquarium Cabinet

(UV Range)



**WATERBOX**<sup>®</sup>  
A Q U A R I U M S

WB-UV-7211



## CONTENTS

 **UV 3624** / 01/04

 **UV 4824** / 05/08

 **UV 6025** / 09/12

 **UV 7225** / 13/16

 **UVD 6025** / 17/20

 **UVD 7225** / 21/24

### BRINGING YOUR WATERBOX TO LIFE.

#### 1 PREPARE

Place the aquarium on a stable, solid surface. Avoid direct sunlight and extreme heat or cold.

Install submersible aquarium heater (sold separately) to maintain stable temperature.

#### 2 AQUASCAPE

**Gravel/Sand** – Select your favorite color and rinse before installing.

**Décor** – Create a beautiful environment with a combination of rocks, plants and decorations.

#### 3 ENJOY

Condition the water, add bacteria and let water sit for 24 hours before introducing fish.

Add appropriate livestock and enjoy your Waterbox.

### MY WATERBOX CABINET

Model \_\_\_\_\_

Color \_\_\_\_\_

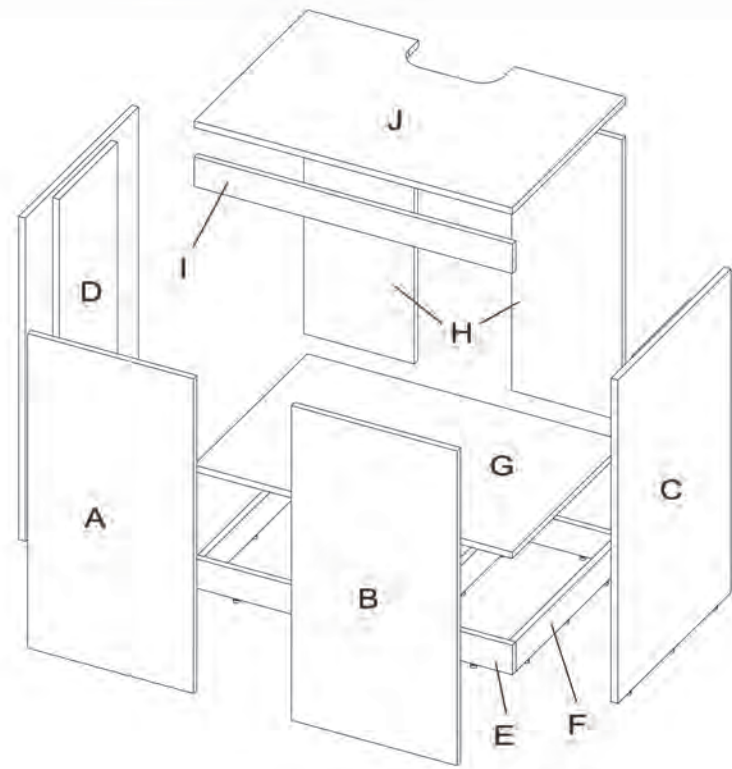
Lot # \_\_\_\_\_

Purchase date \_\_\_\_\_

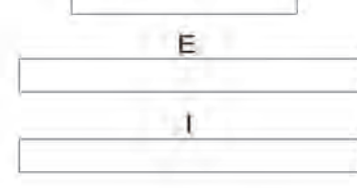
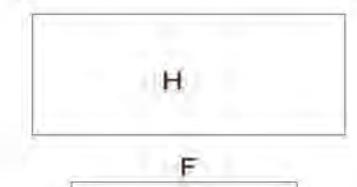
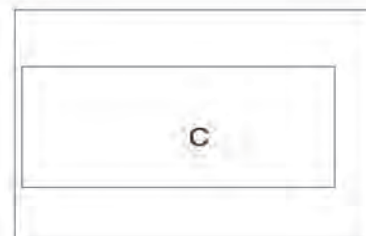
Sellers \_\_\_\_\_

Address \_\_\_\_\_

TEL/Mobile \_\_\_\_\_



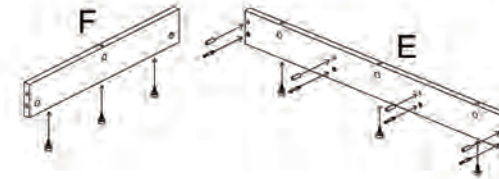
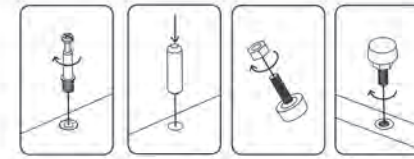
	Code	QTY
	C1201(White) C1202(Black)	24
	C1001	6
	C1401(White) C1402(Black)	51
	C1101	2
	C1301	20
	C1301	51
	C1301	51



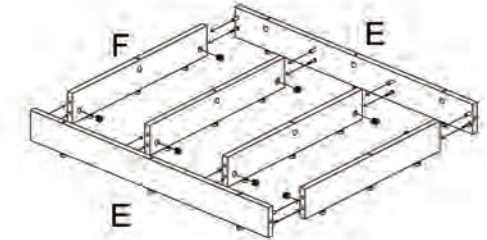
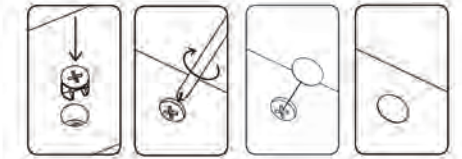
S/N	Name	QTY
A	Cabinet Door(L)	1
B	Cabinet Door(R)	1
C	Cabinet Side Right	1
D	Cabinet Side Left	1
E	Cabinet Front Lower	2

S/N	Name	QTY
F	Cabinet Base Support	4
G	Cabinet Bottom	1
H	Cabinet Rear	2
I	Cabinet Front Upper	1
J	Cabinet Top	1

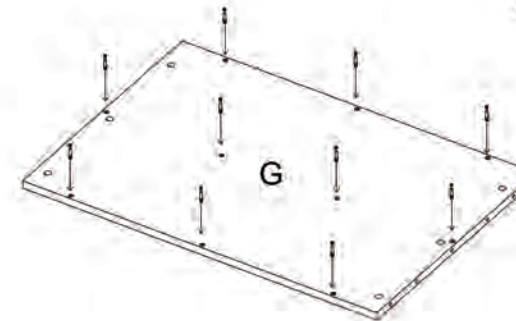
01



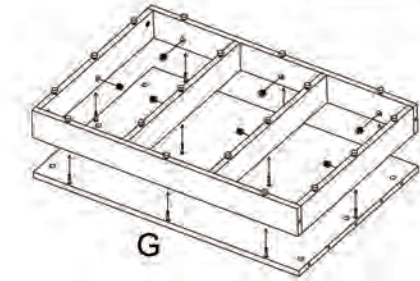
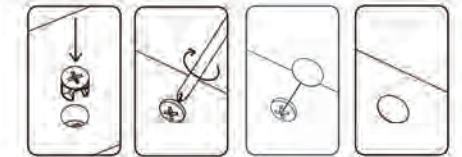
02



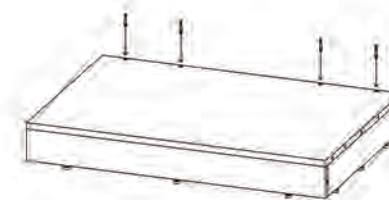
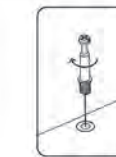
03



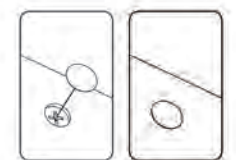
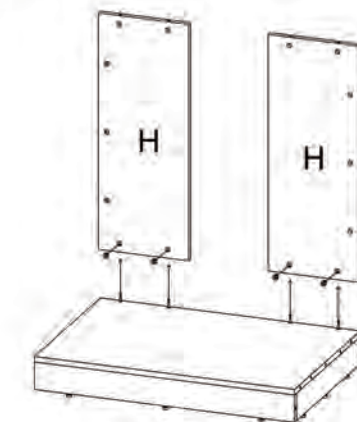
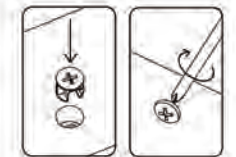
04



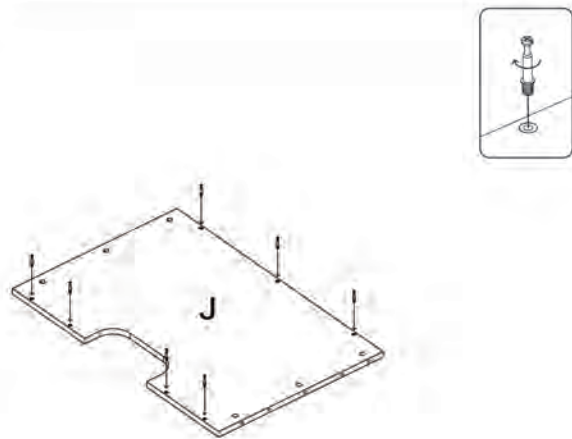
05



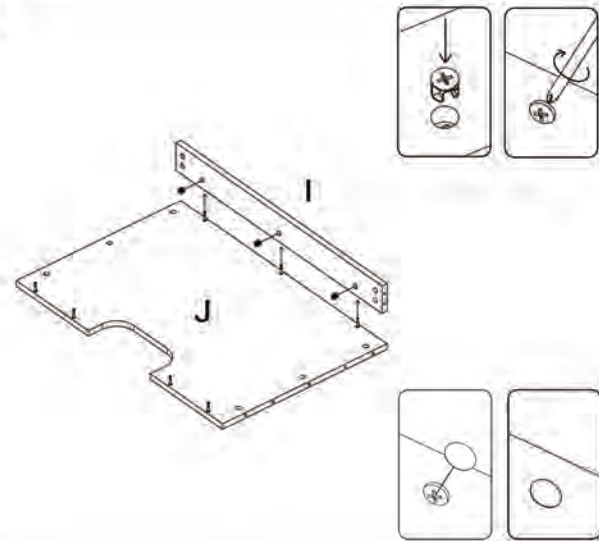
06



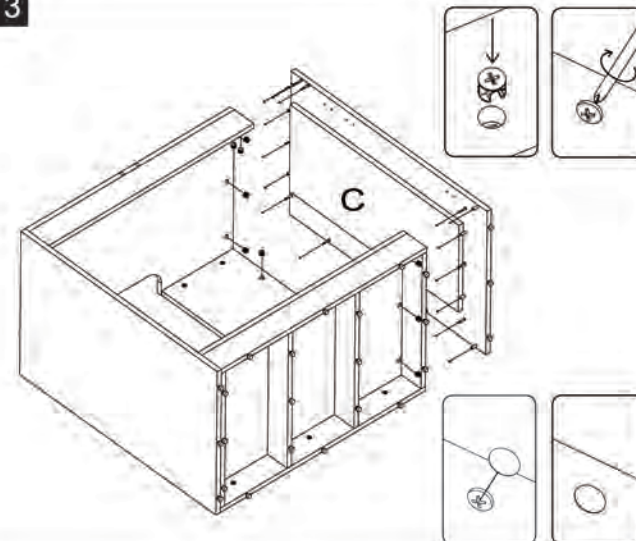
07



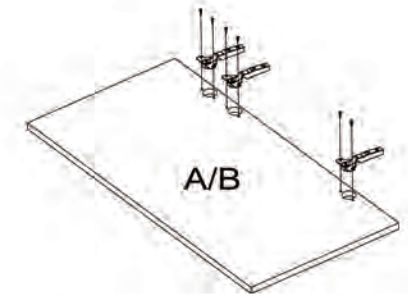
08



13

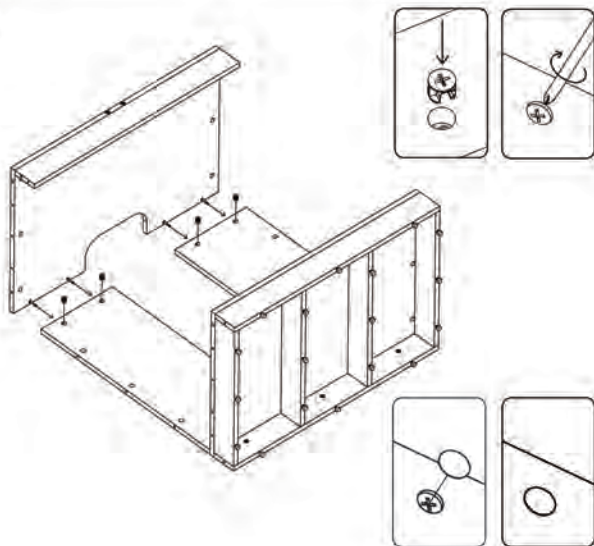


14

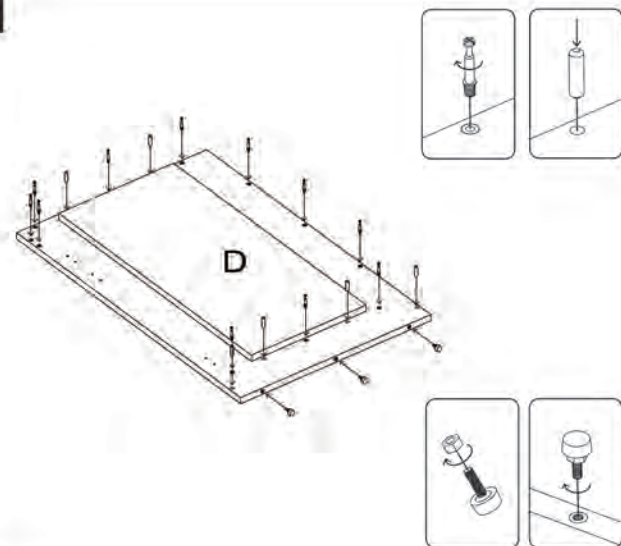


for hinge installation please visit  
[www.waterboxaquariums.com/hinges](http://www.waterboxaquariums.com/hinges)

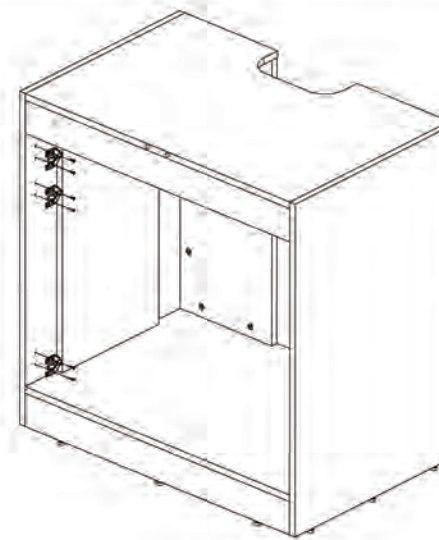
09



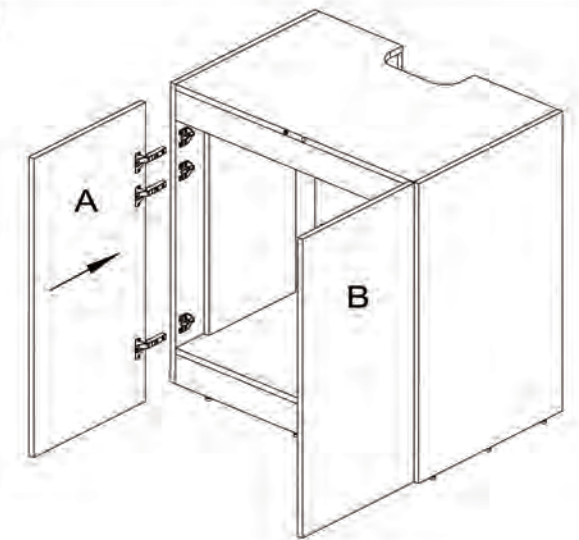
10



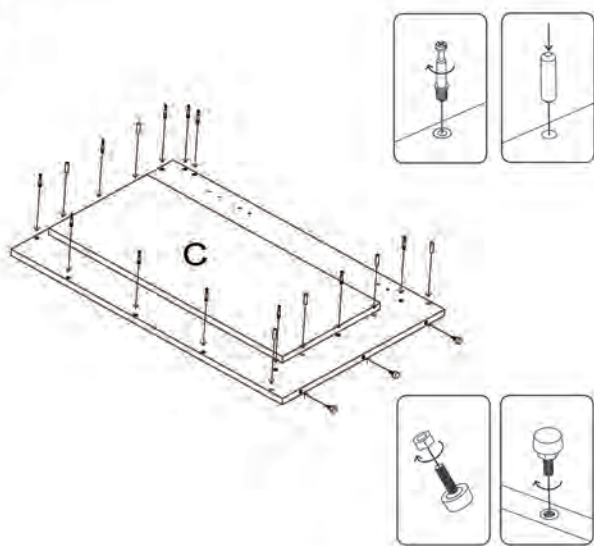
15



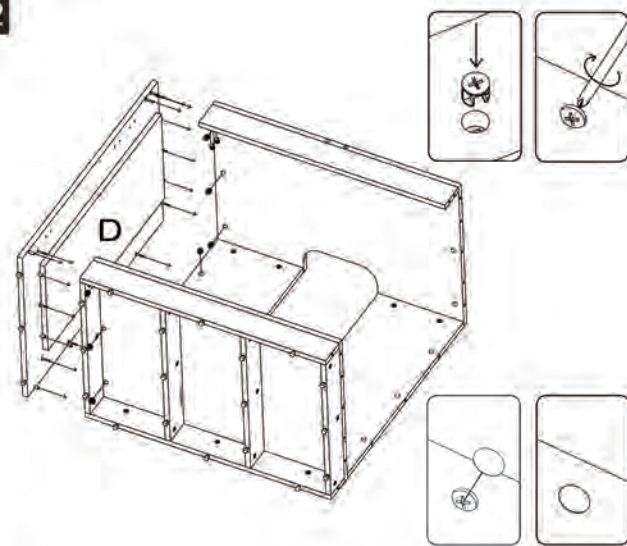
16



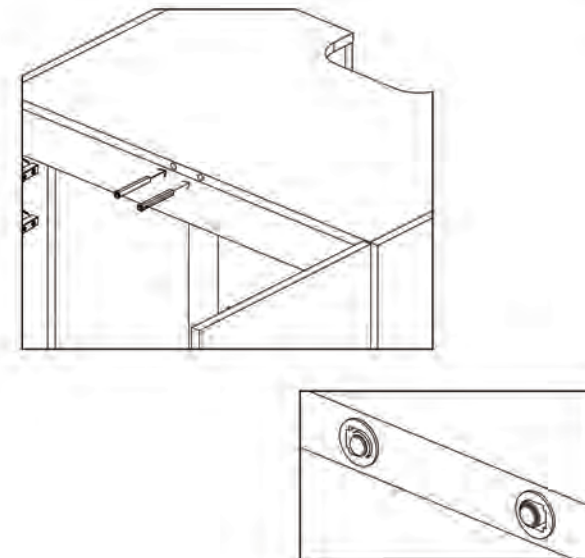
11



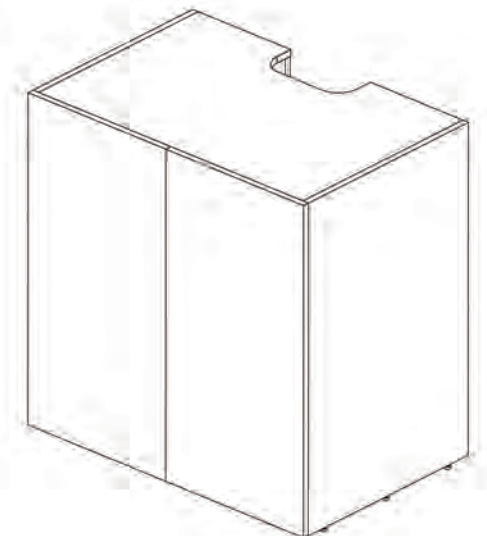
12

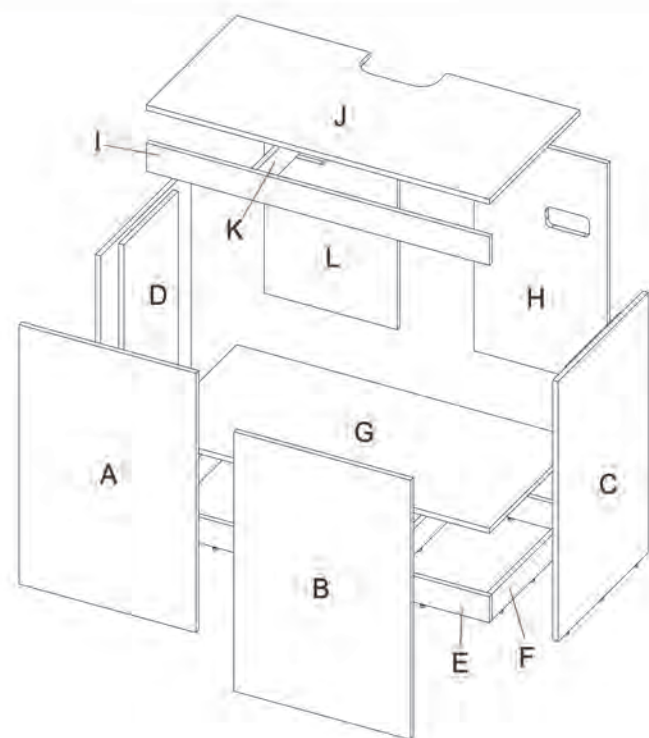


17

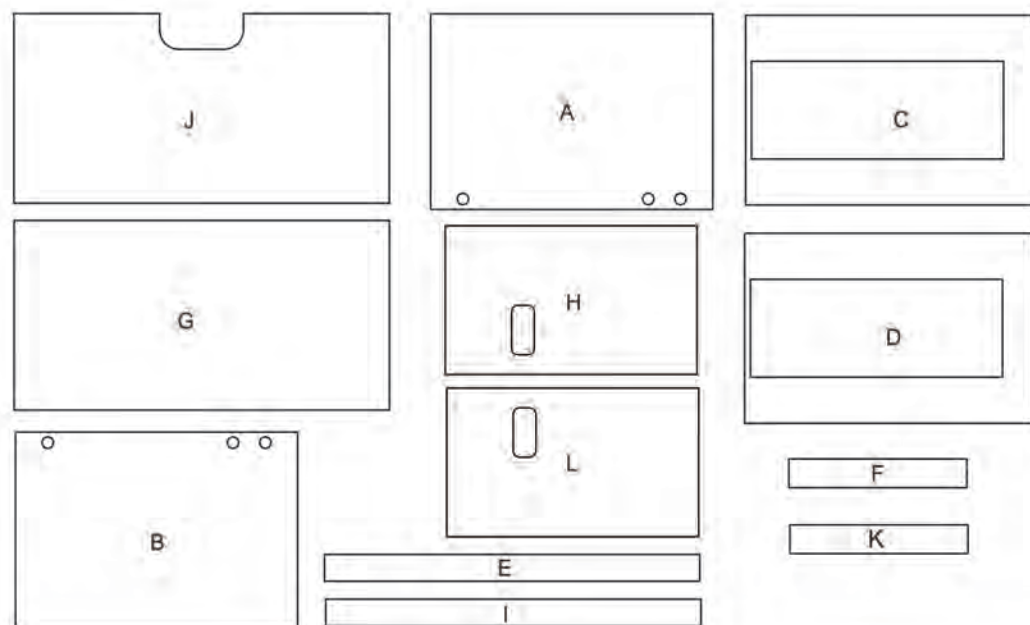


18





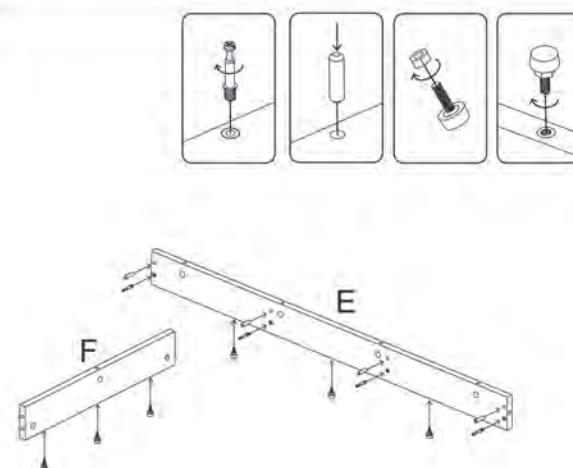
	Code	QTY
	C1201(White) C1202(Black)	33
	C1001	6
	C1401(White) C1402(Black)	62
	C1101	2
	C1301	26
	C1301	62
	C1301	62



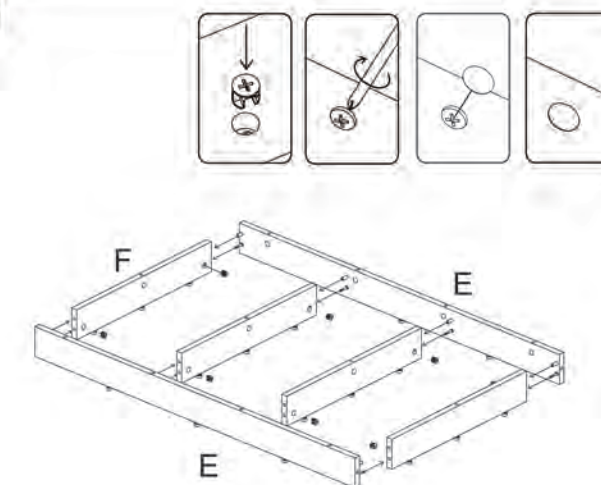
S/N	Name	QTY
A	Cabinet Door (L)	1
B	Cabinet Door (R)	1
C	Cabinet Side Right	1
D	Cabinet Side Left	1
E	Cabinet Front Lower	2
F	Cabinet Base Support	4

S/N	Name	QTY
G	Cabinet Bottom	1
H	Cabinet Rear A	1
I	Cabinet Front Upper	1
J	Cabinet Top	1
L	Cabinet Rear B	1
K	Cabinet Internal Support	1

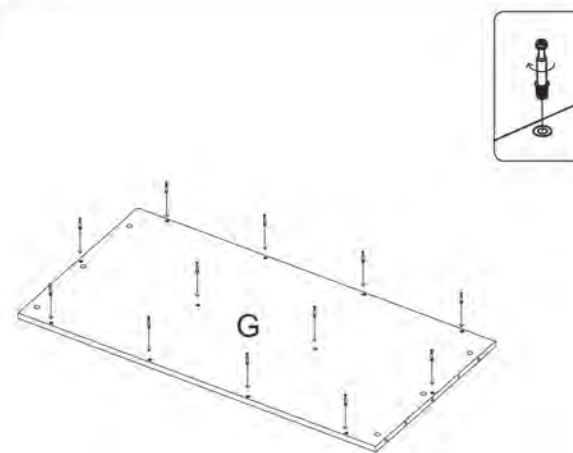
01



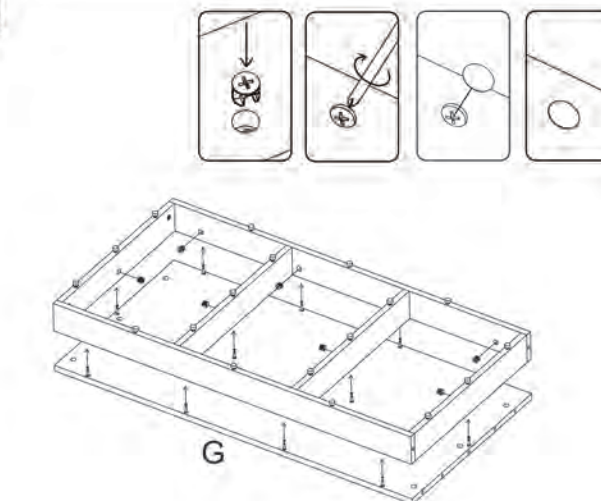
02



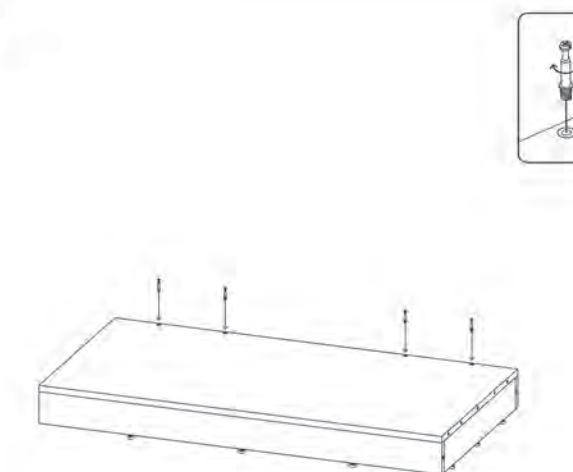
03



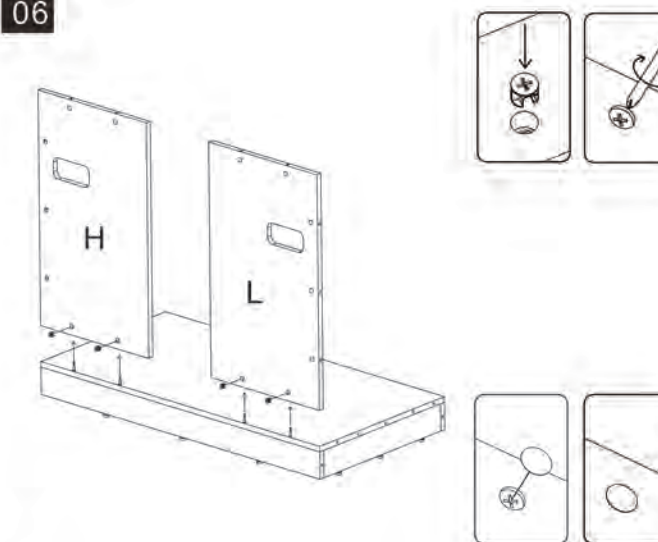
04

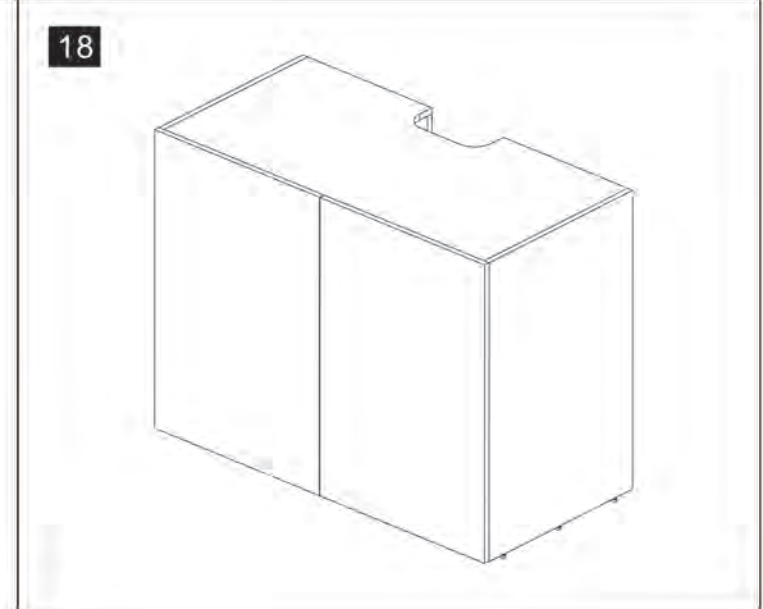
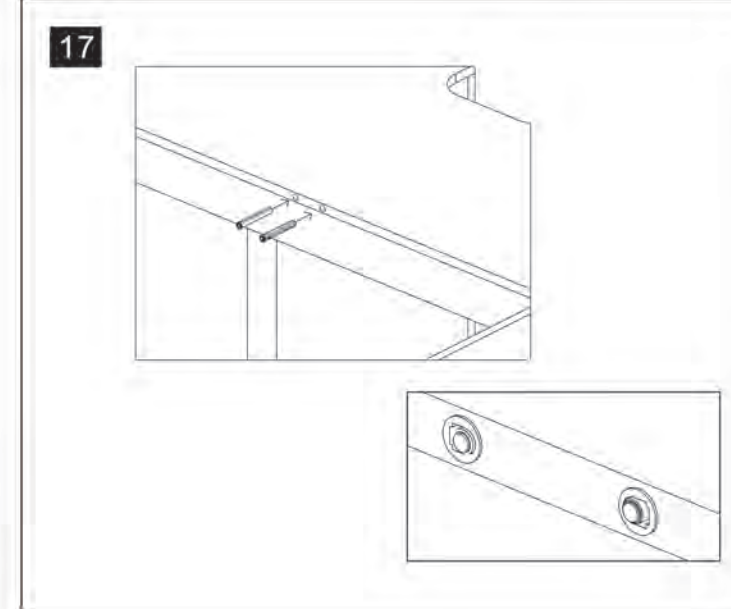
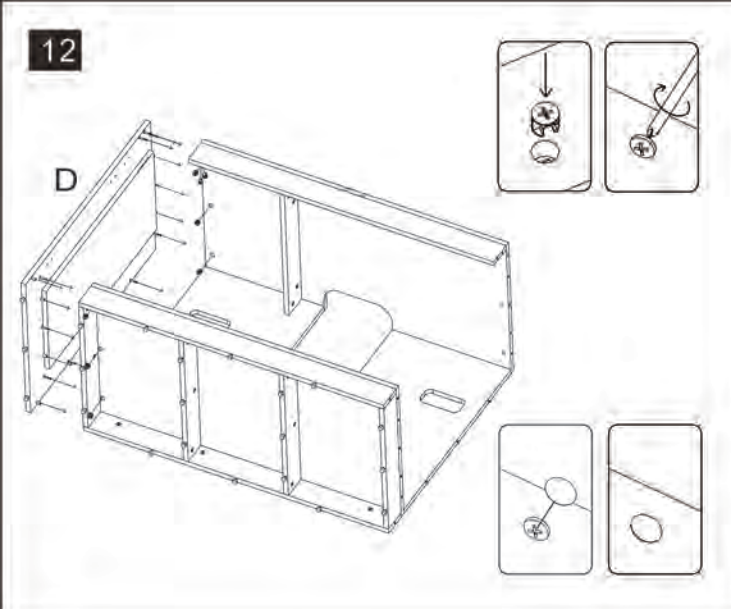
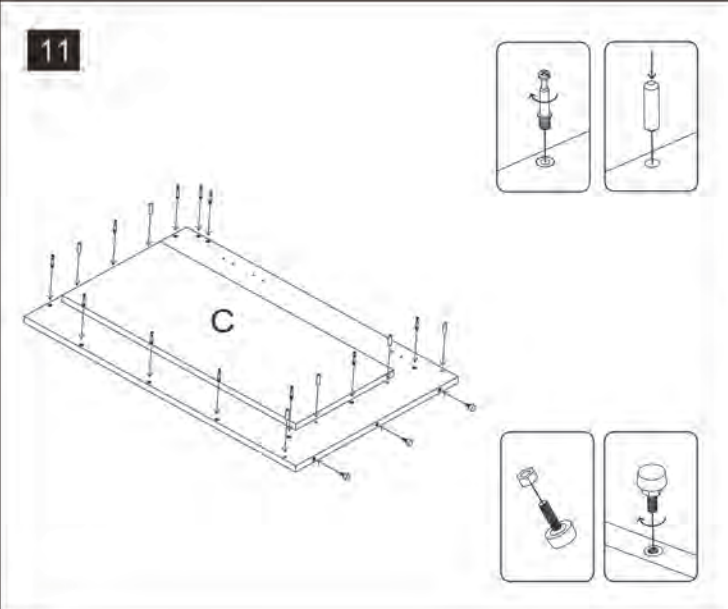
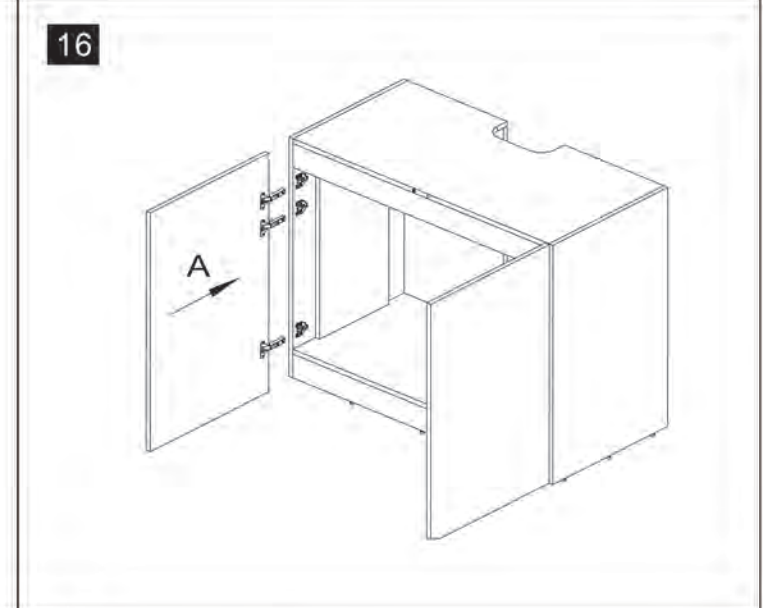
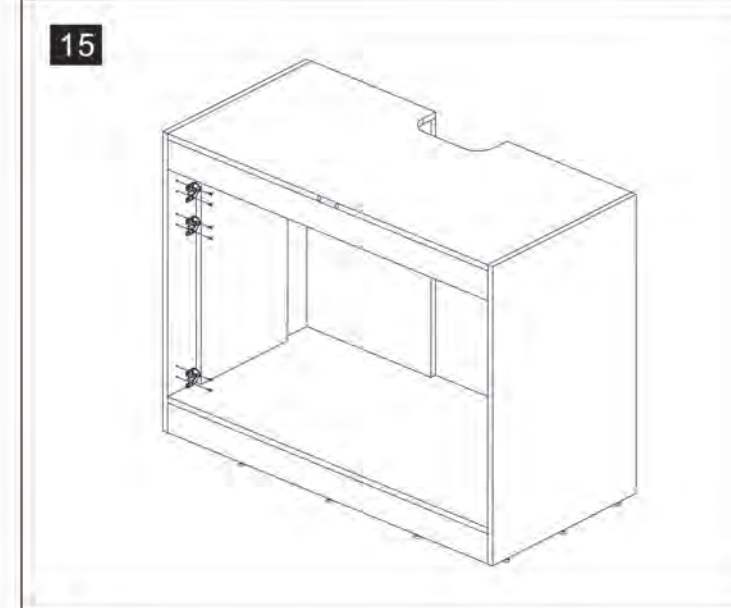
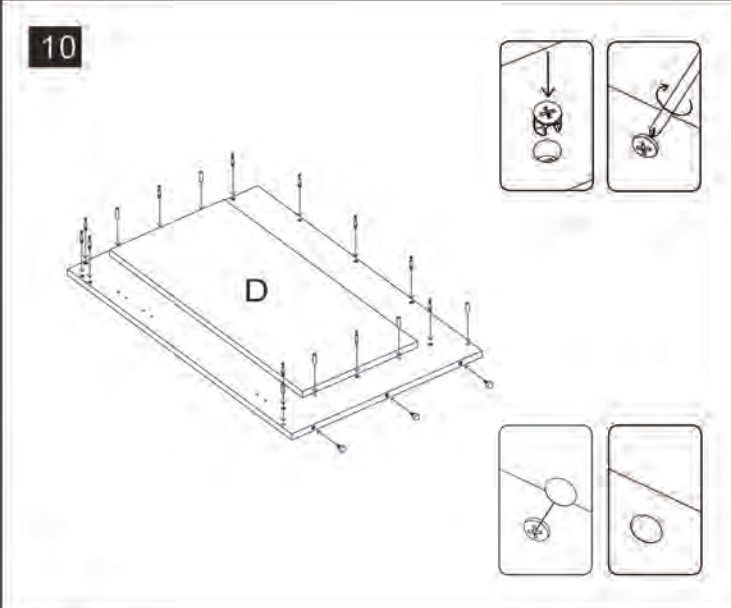
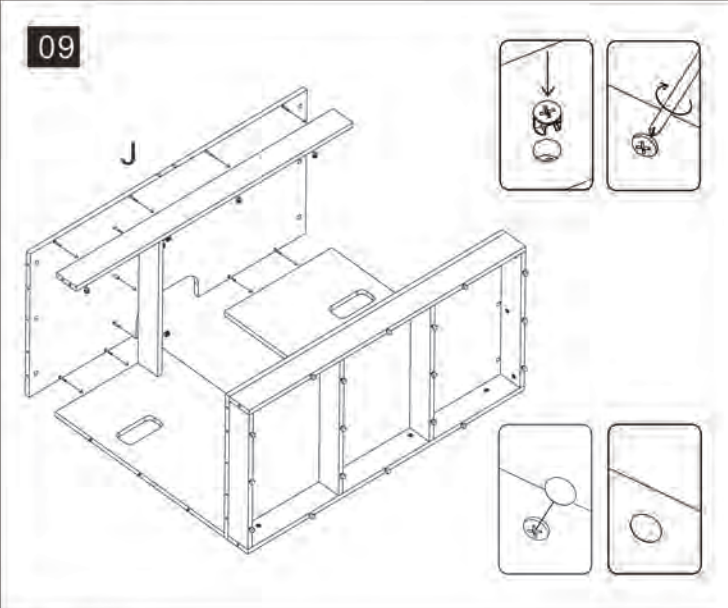
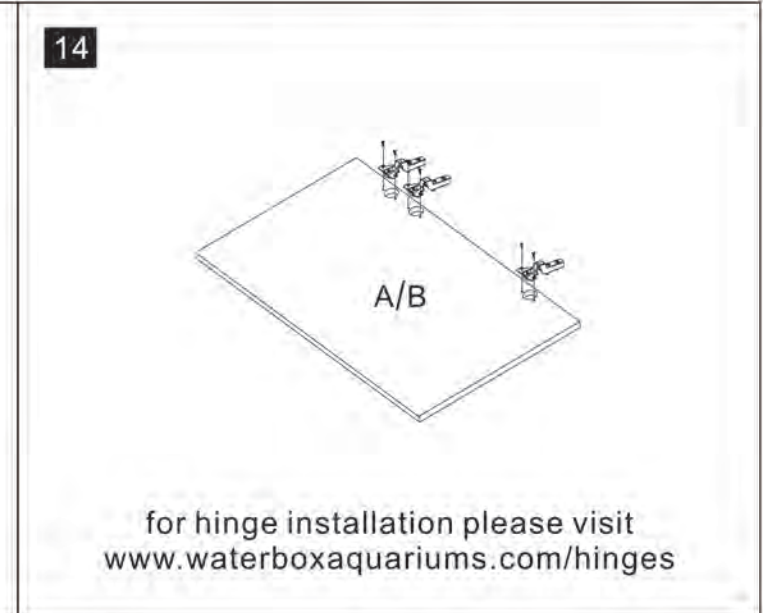
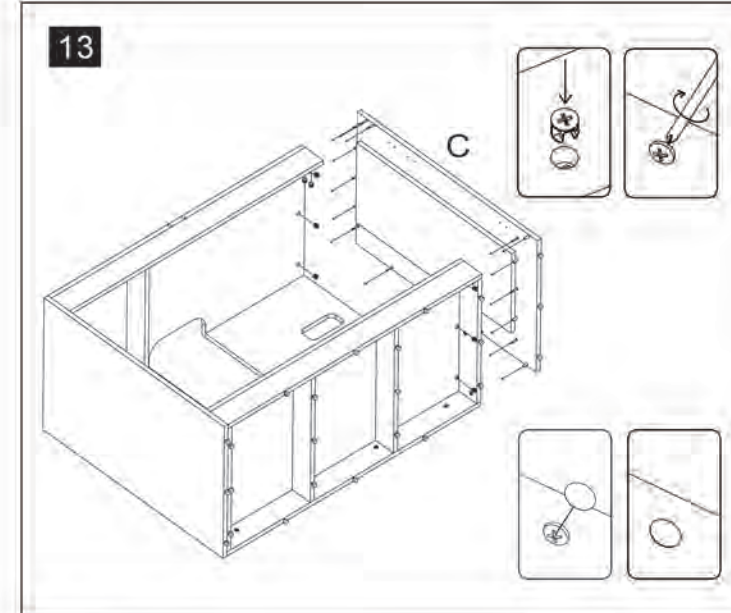
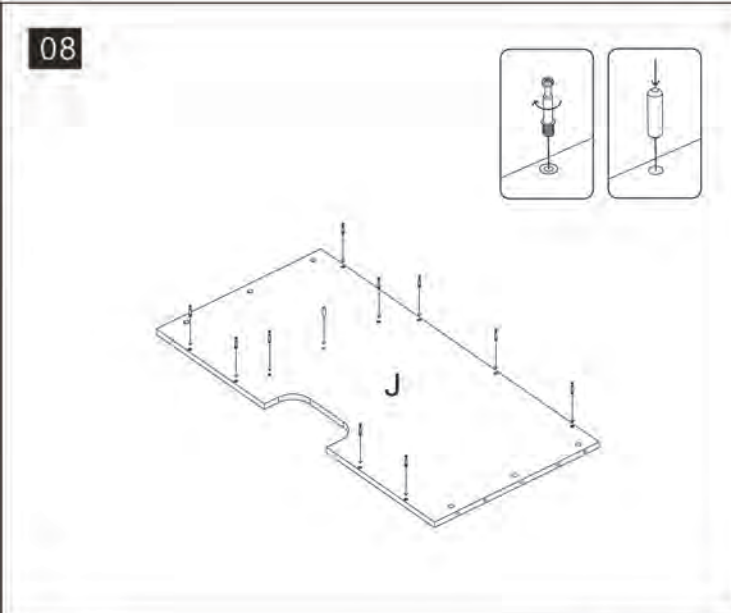
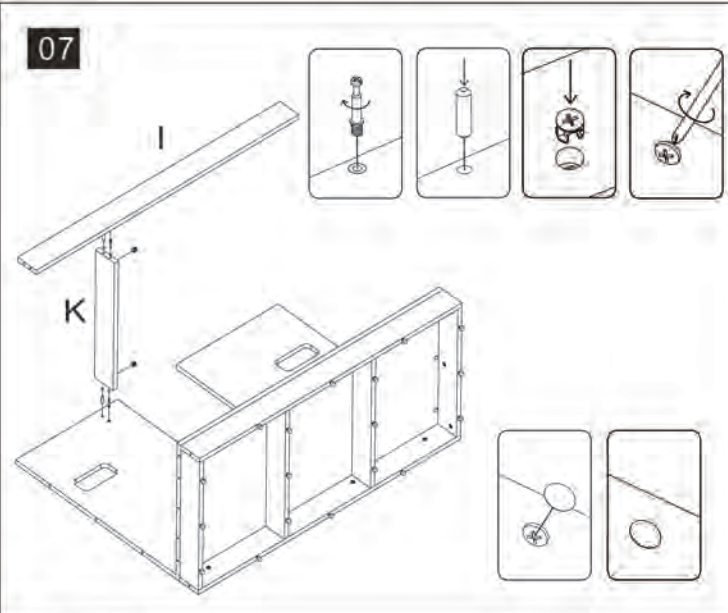


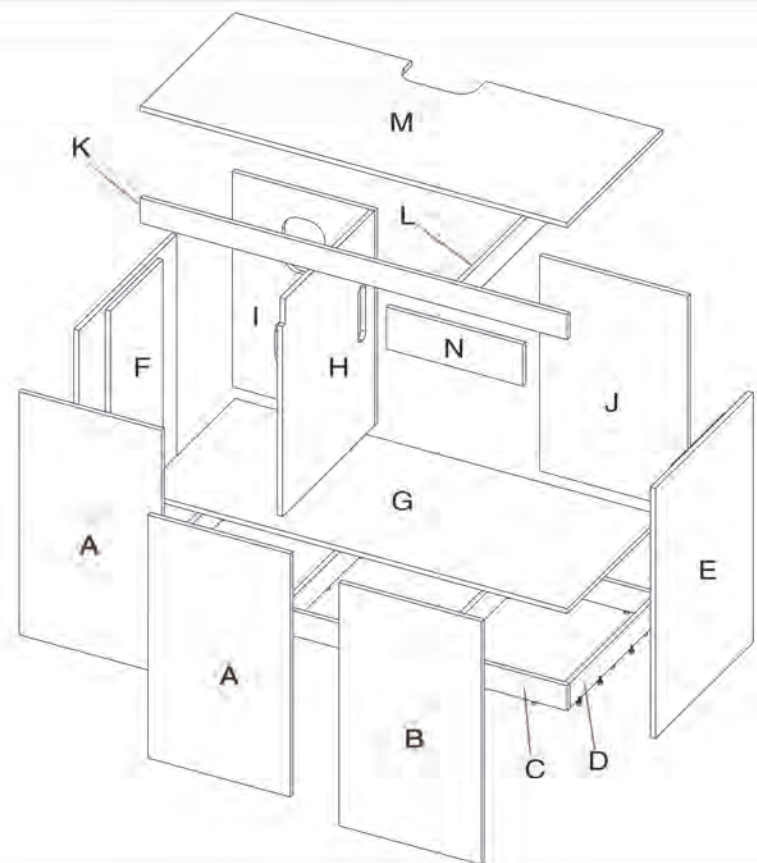
05



06

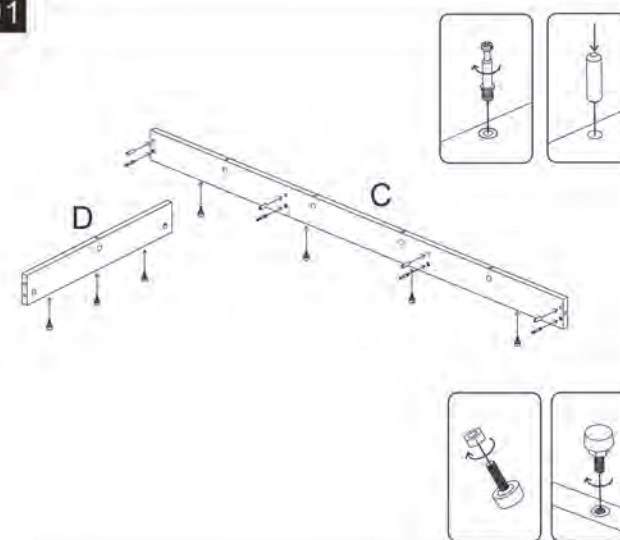




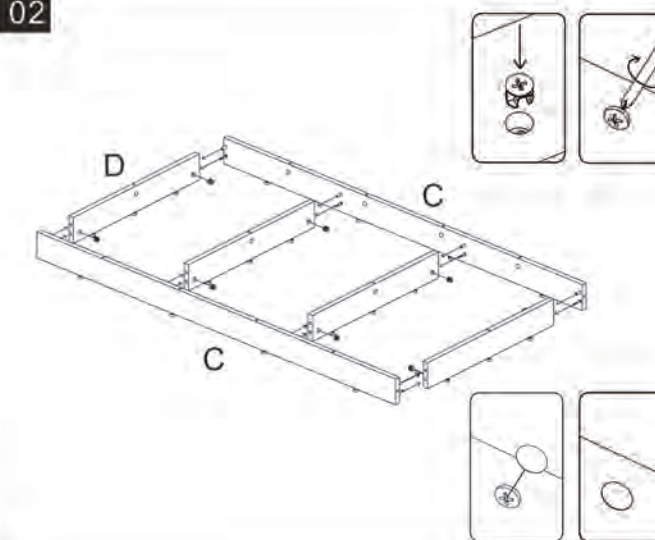


	Code	QTY
	C1201(White) C1202(Black)	28
	C1003	9
	C1401(White) C1402(Black)	72
	C1101	3
	C1301	27
	C1301	72
	C1301	72

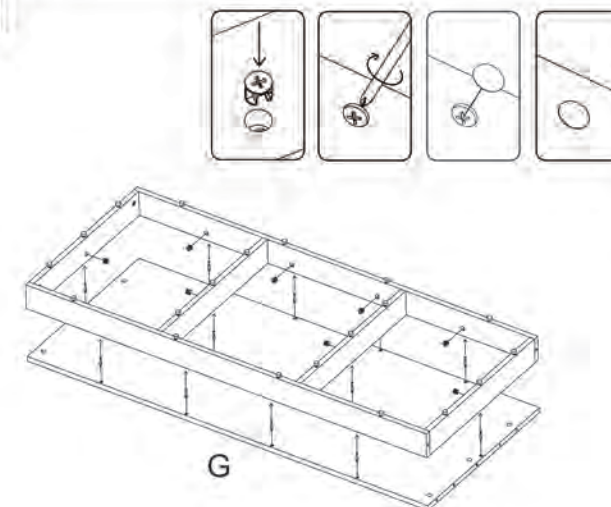
01



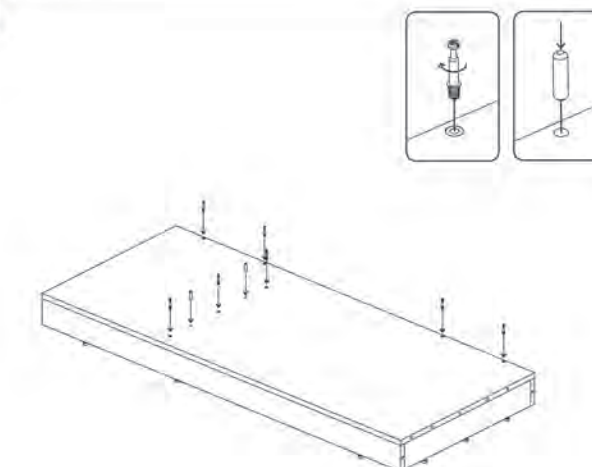
02



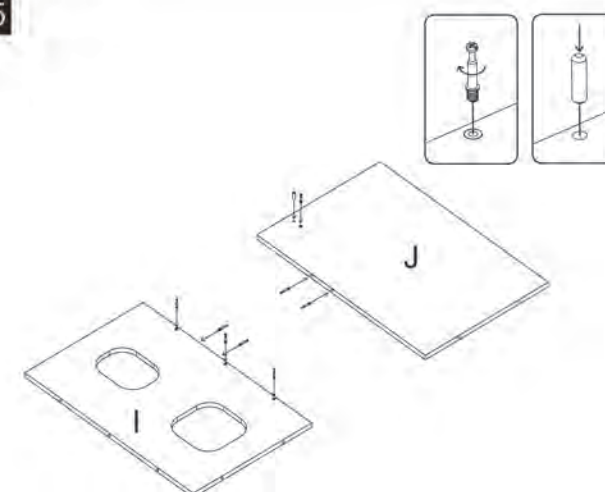
03



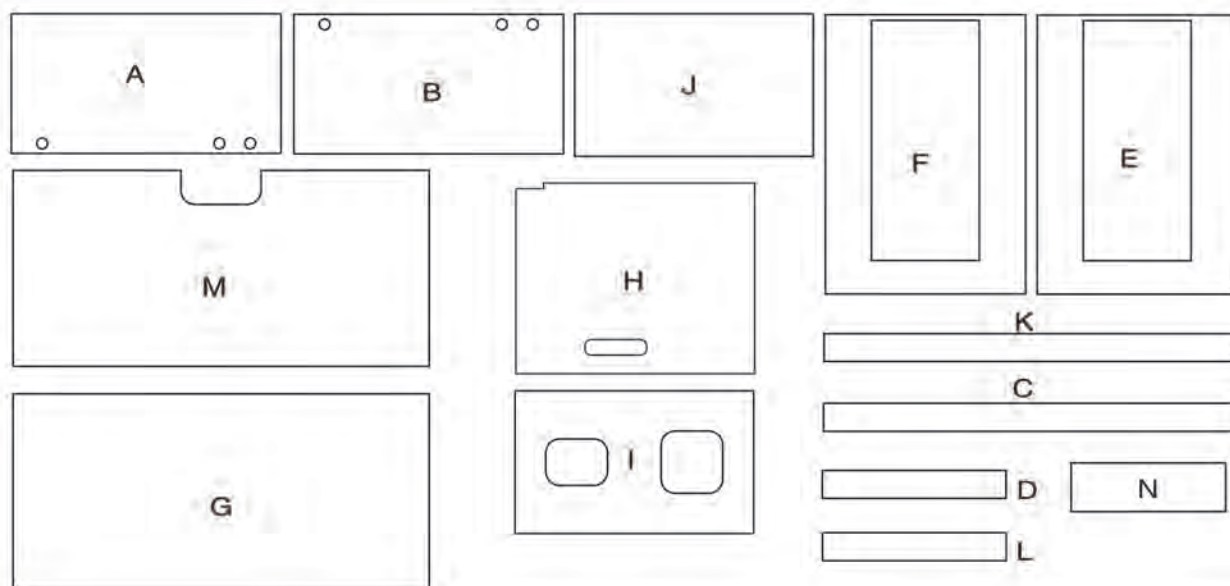
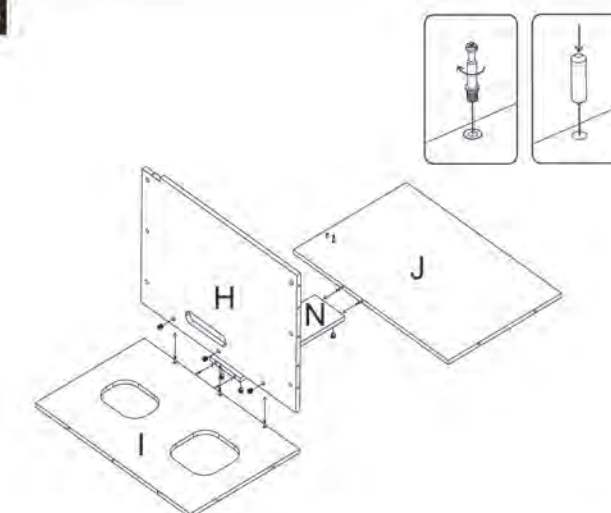
04



05



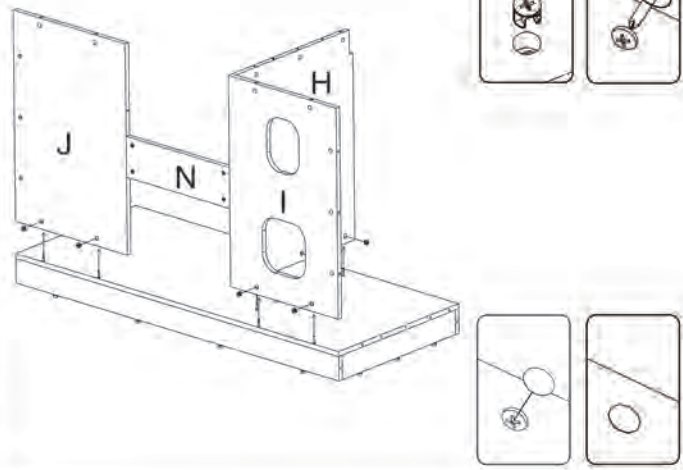
06



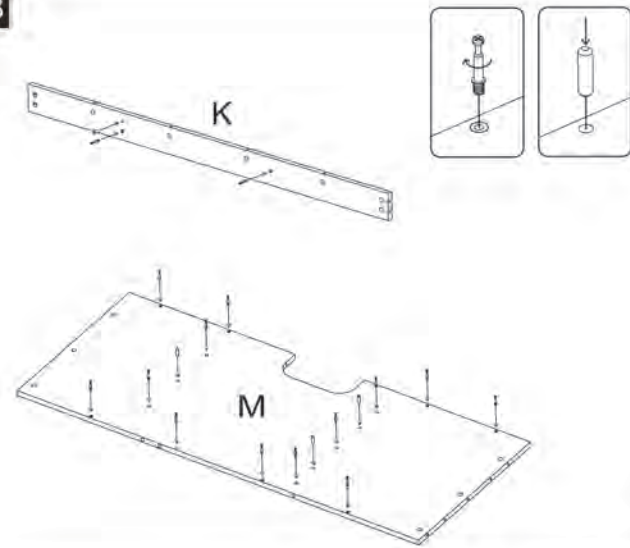
S/N	Name	QTY
A	Cabinet Door (L)	2
B	Cabinet Door (R)	1
C	Cabinet Front Lower	2
D	Cabinet Base Support	4
E	Cabinet Side Right	1
F	Cabinet Side Left	1
G	Cabinet Bottom	1

S/N	Name	QTY
H	Cabinet Internal Wall	1
I	Cabinet Rear with hole	1
J	Cabinet Rear	1
K	Cabinet Front Upper	1
L	Cabinet Internal Support	1
M	Cabinet Top	1
N	Cabinet Pipe splint	1

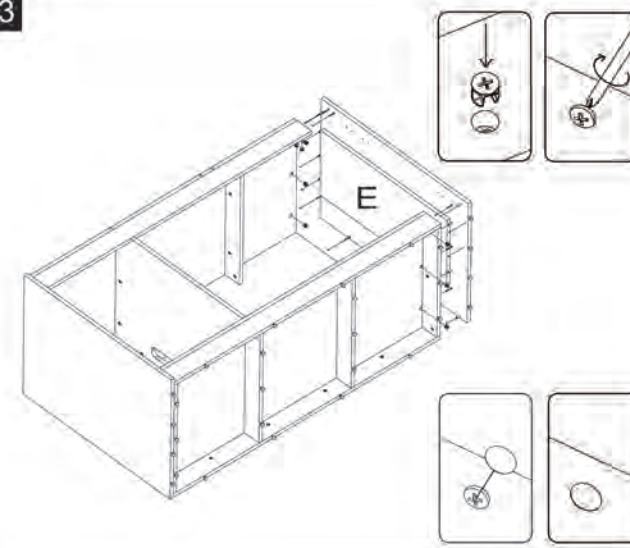
07



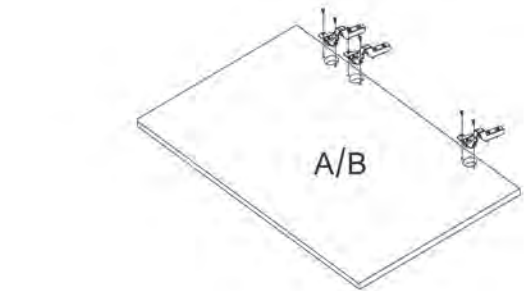
08



13

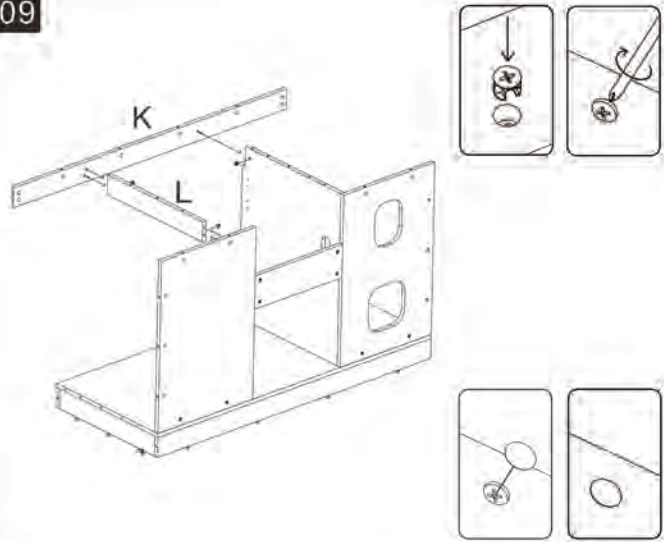


14

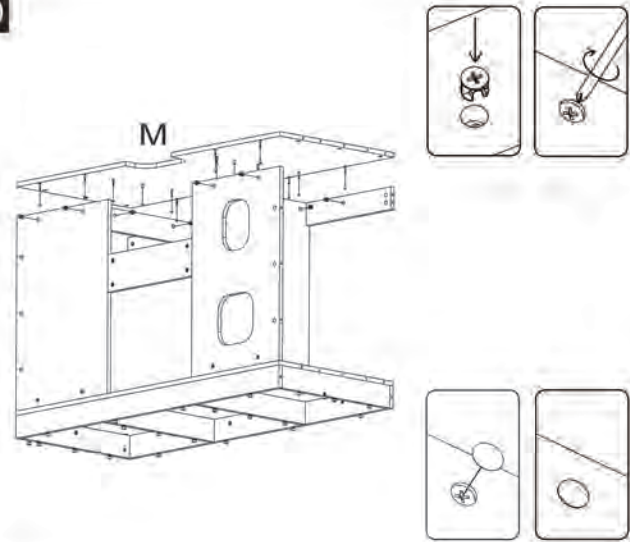


for hinge installation please visit  
[www.waterboxaquariums.com/hinges](http://www.waterboxaquariums.com/hinges)

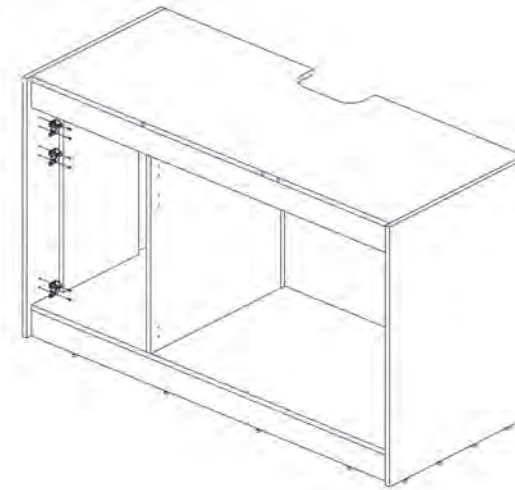
09



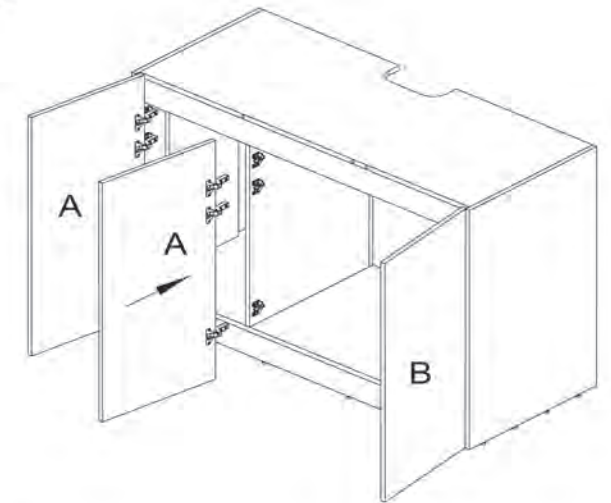
10



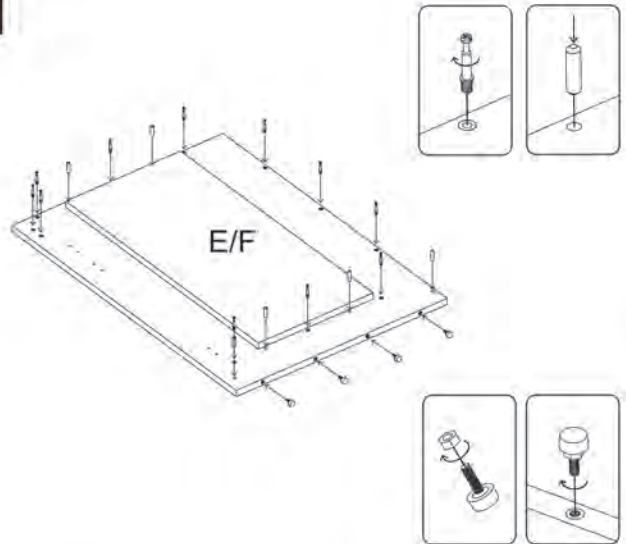
15



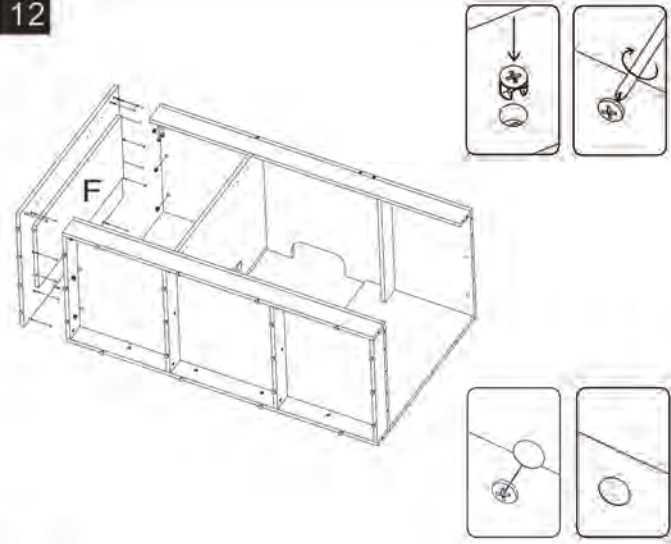
16



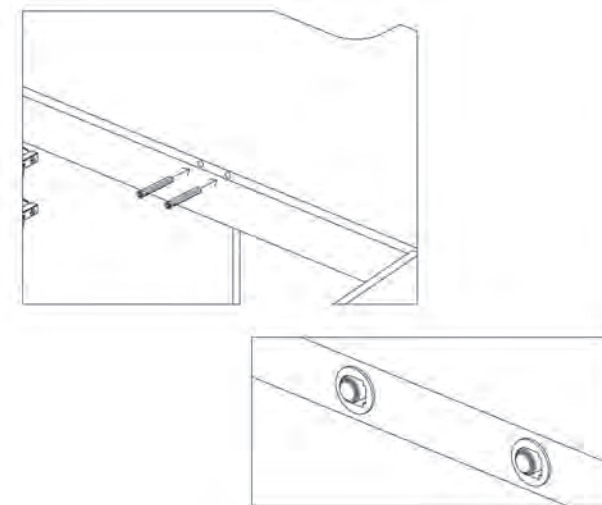
11



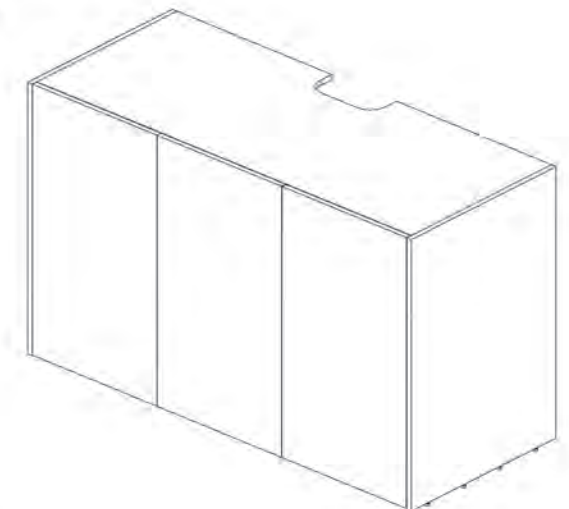
12



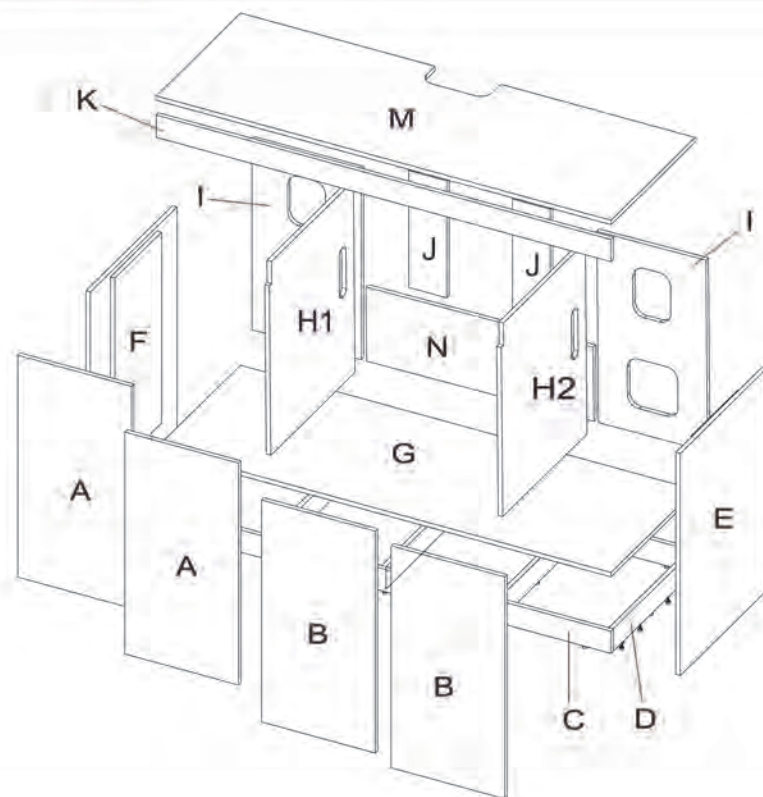
17



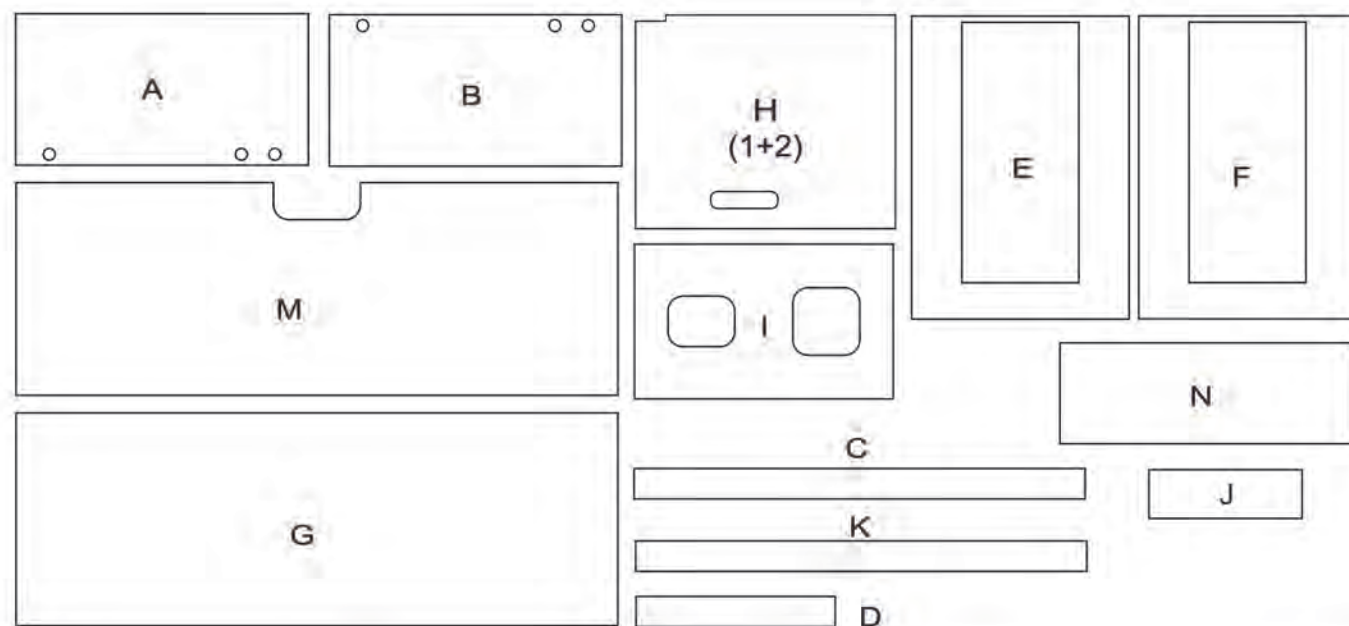
18







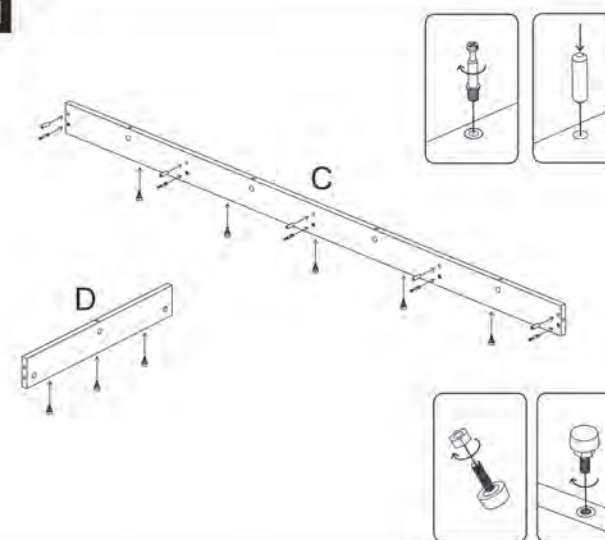
	Code	QTY
	C1201(White) C1202(Black)	33
	C1003	12
	C1401(White) C1402(Black)	92
	C1101	4
	C1301	30
	C1301	92
	C1301	92



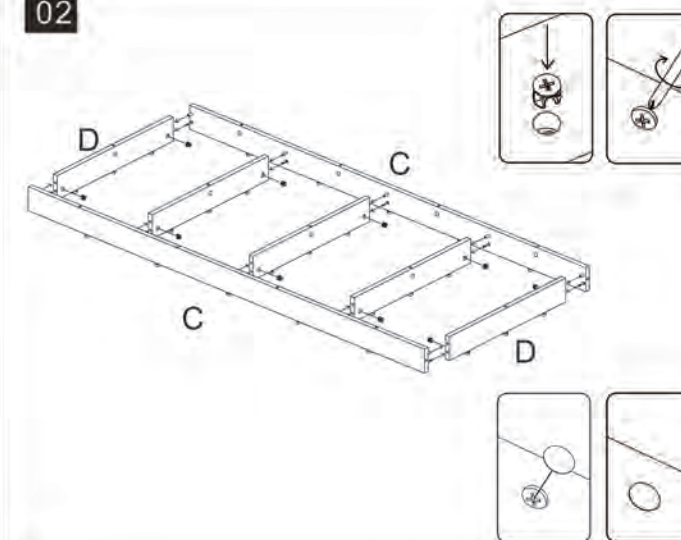
S/N	Name	QTY
A	Cabinet Door (L)	2
B	Cabinet Door (R)	2
C	Cabinet Front Lower	2
D	Cabinet Base Support	5
E	Cabinet Side Right	1
F	Cabinet Side Left	1
G	Cabinet Bottom	1

S/N	Name	QTY
H	Cabinet Internal Wall	2
I	Cabinet Rear with hole	2
J	Cabinet Pipe splint	2
K	Cabinet Front Upper	1
M	Cabinet Top	1
N	Cabinet Rear Bottom Support	1

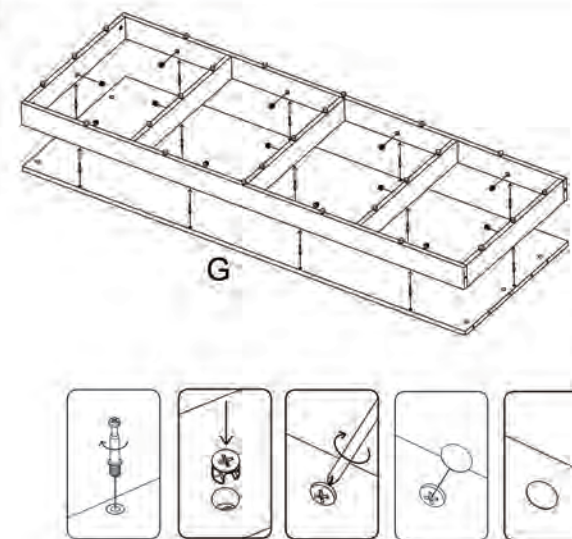
01



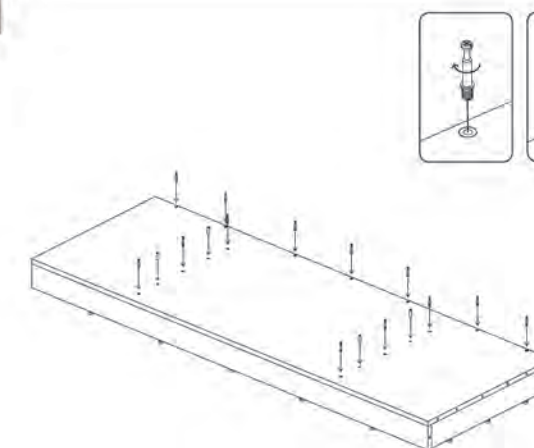
02



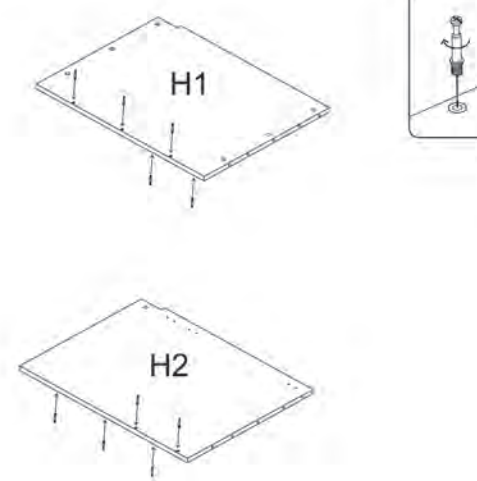
03



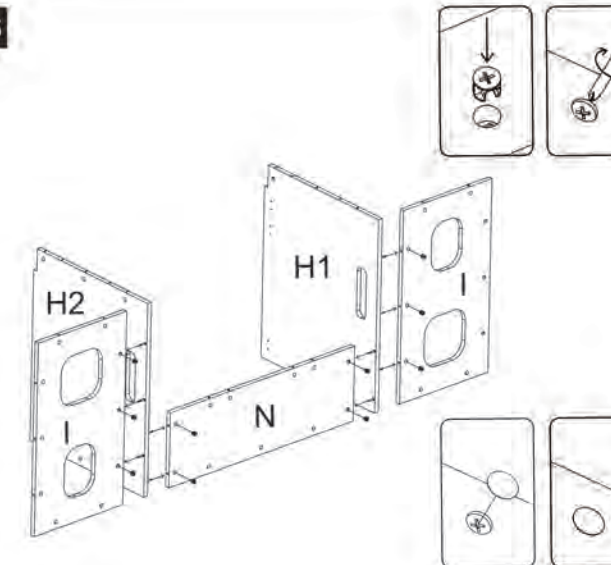
04



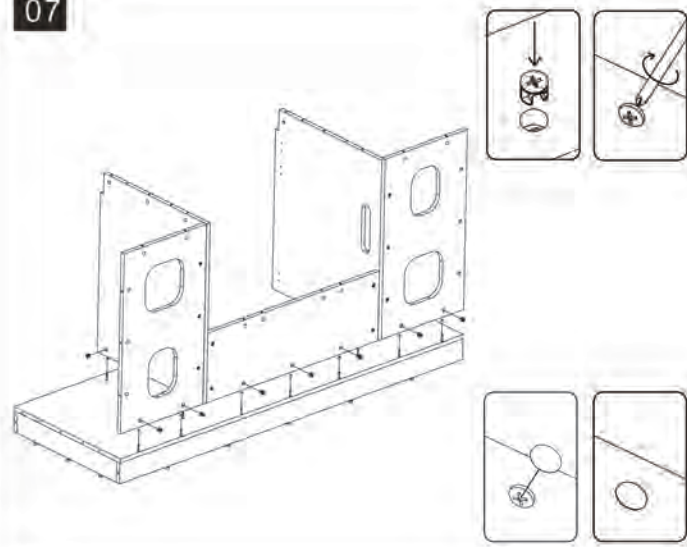
05



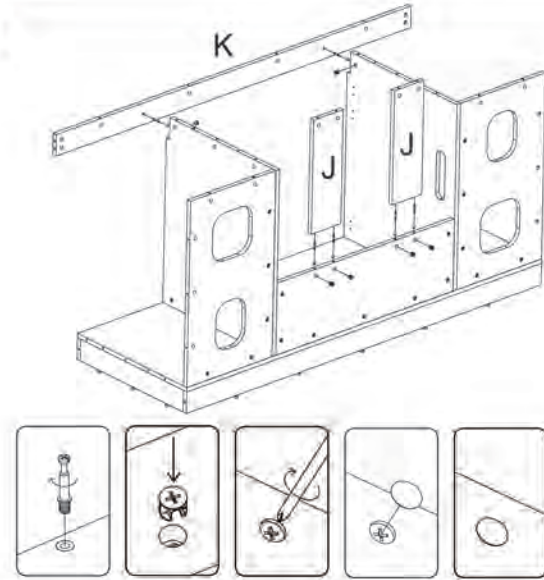
06



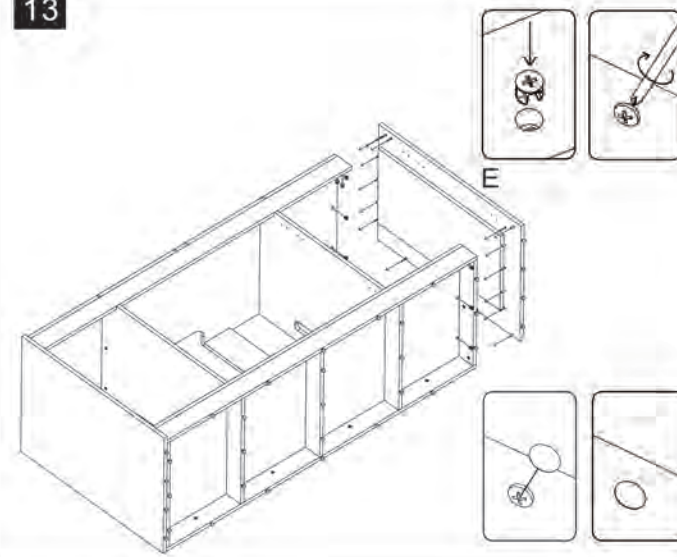
07



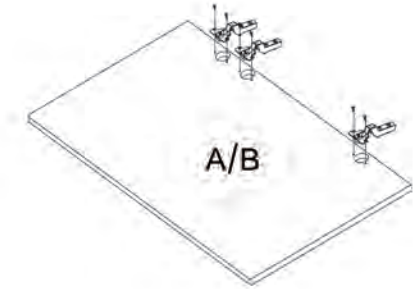
08



13

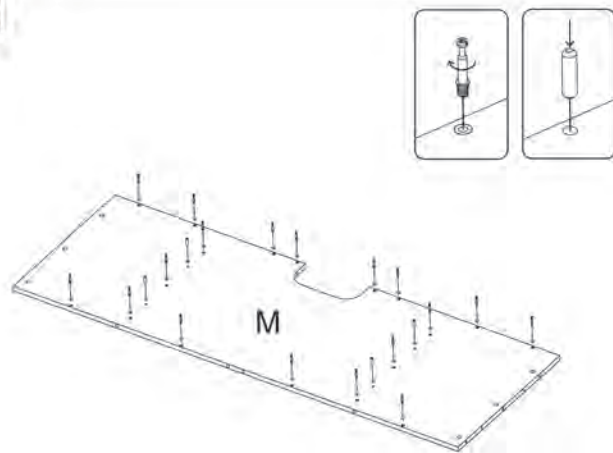


14

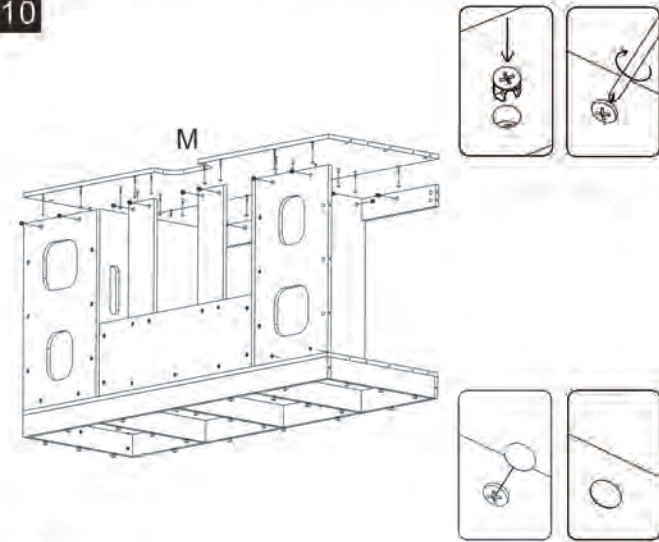


for hinge installation please visit  
[www.waterboxaquariums.com/hinges](http://www.waterboxaquariums.com/hinges)

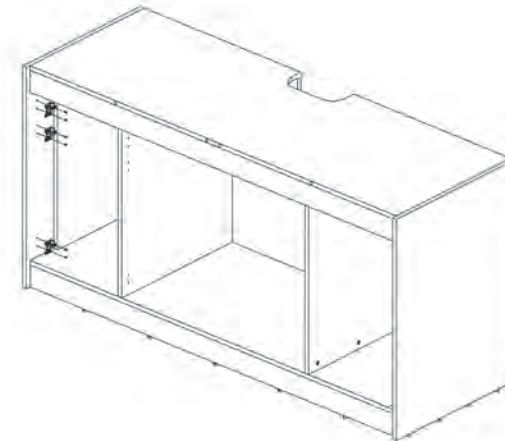
09



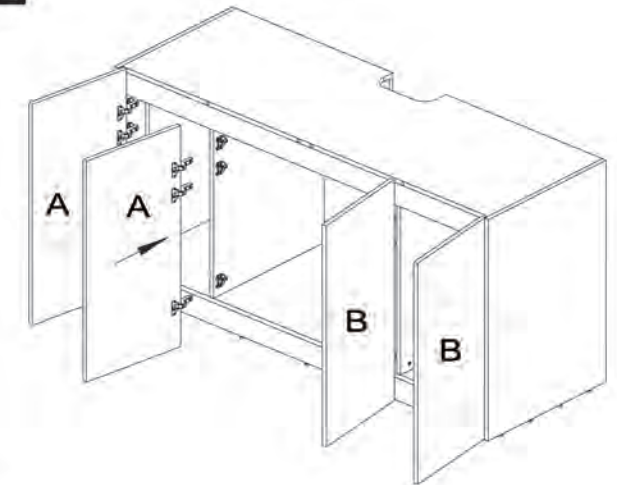
10



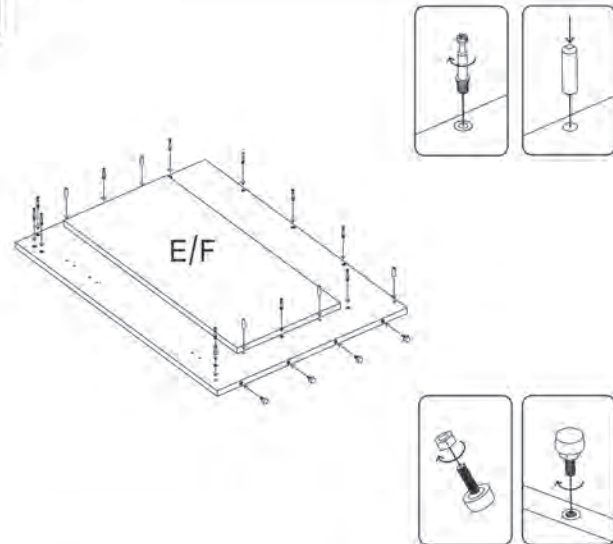
15



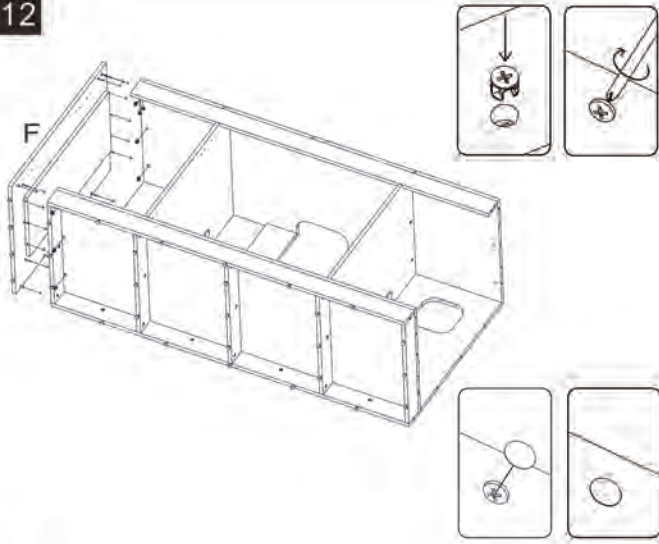
16



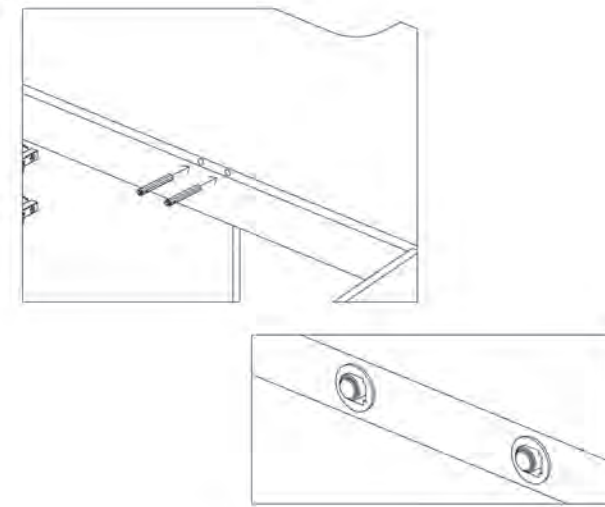
11



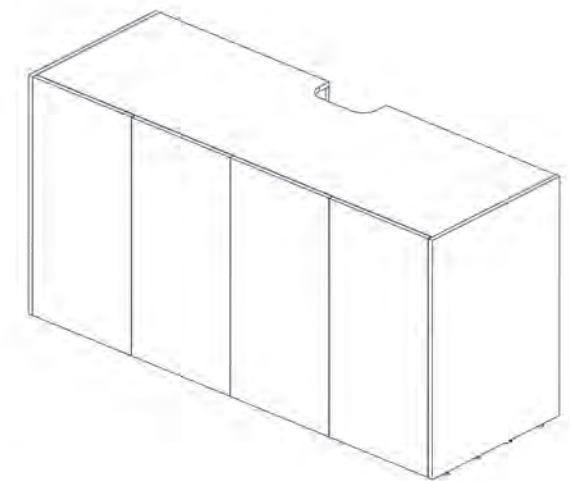
12

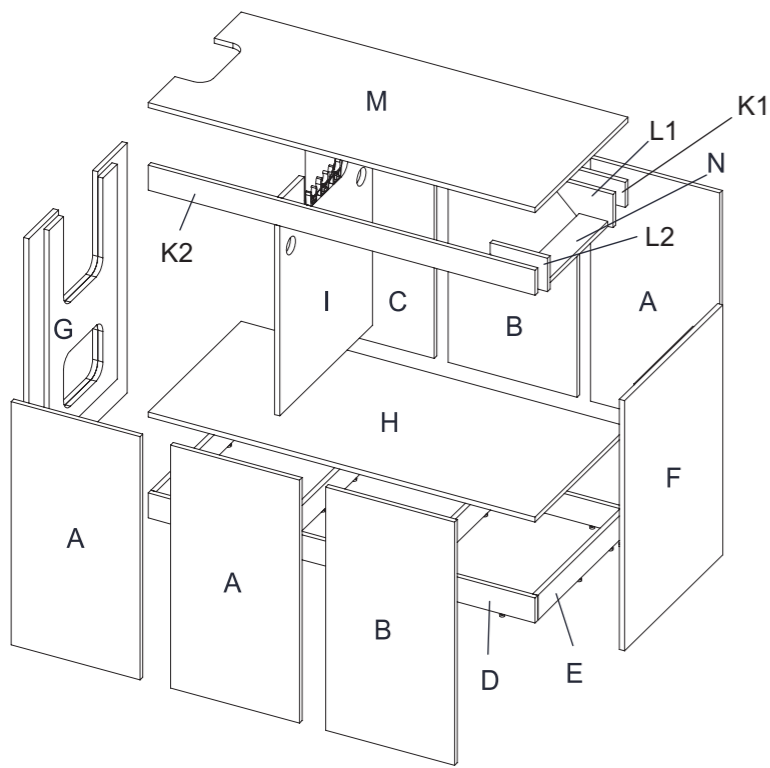


17

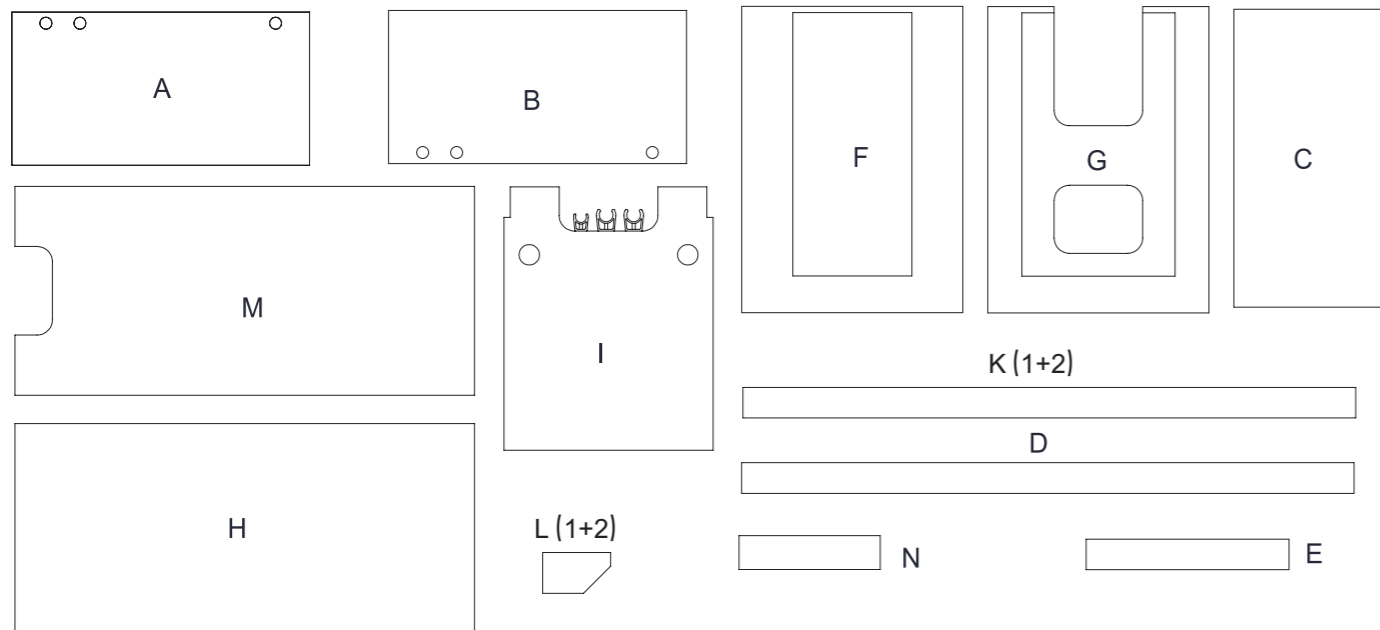


18





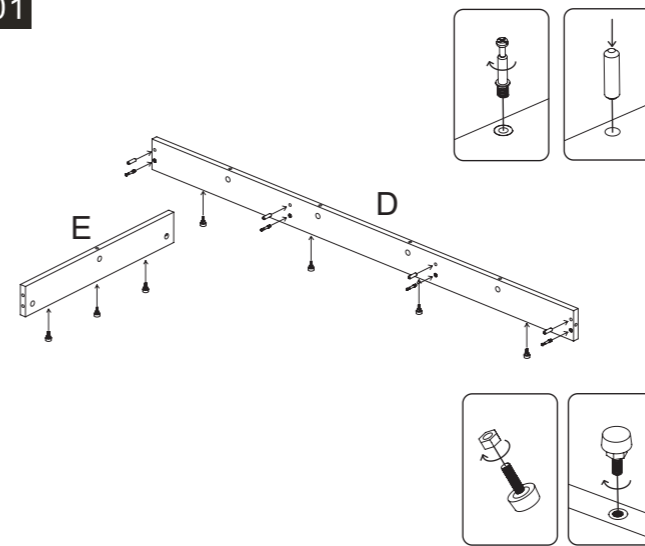
	Code	QTY
	C1201(White) C1202(Black)	28
	C1003	15
	C1401(White) C1402(Black)	74
	C1101	5
	C1301	22
	C1301	74
	C1301	74



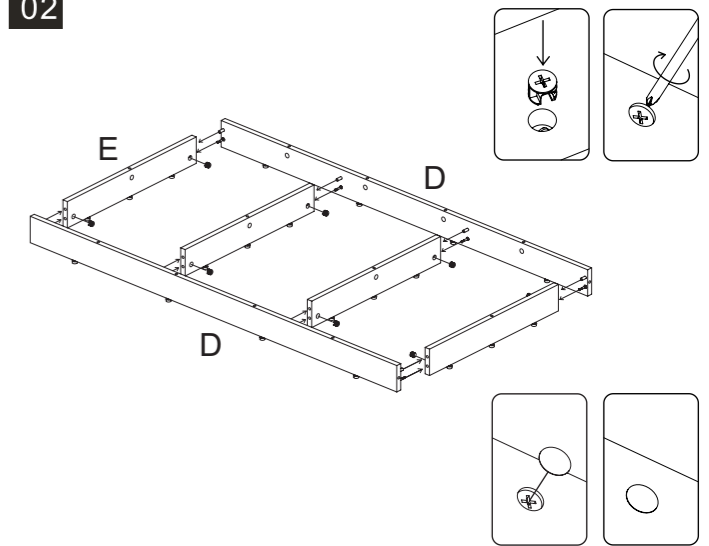
S/N	Name	QTY
A	Cabinet Door (L)	3
B	Cabinet Door (R)	2
C	Cabinet Door	1
D	Cabinet Front Lower	2
E	Cabinet Base Support	4
F	Cabinet Side Right	1
G	Cabinet Side Left	1

S/N	Name	QTY
H	Cabinet Bottom	1
I	Cabinet Internal Wall with Pipe clips	1
K	Cabinet Front Upper	2
L	Cabinet Internal Support A	2
N	Cabinet Internal Support B	1
M	Cabinet Top	1

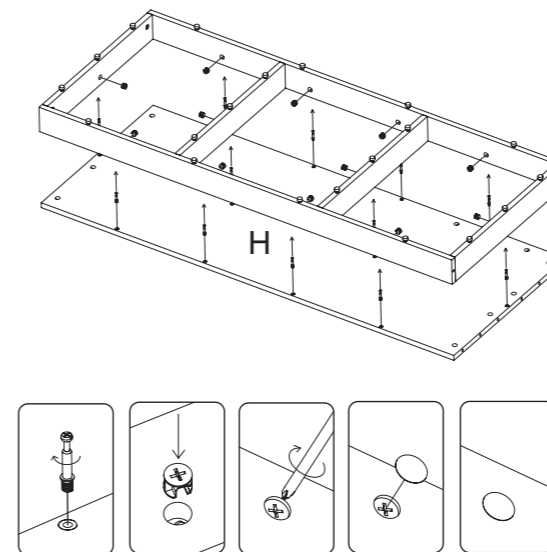
01



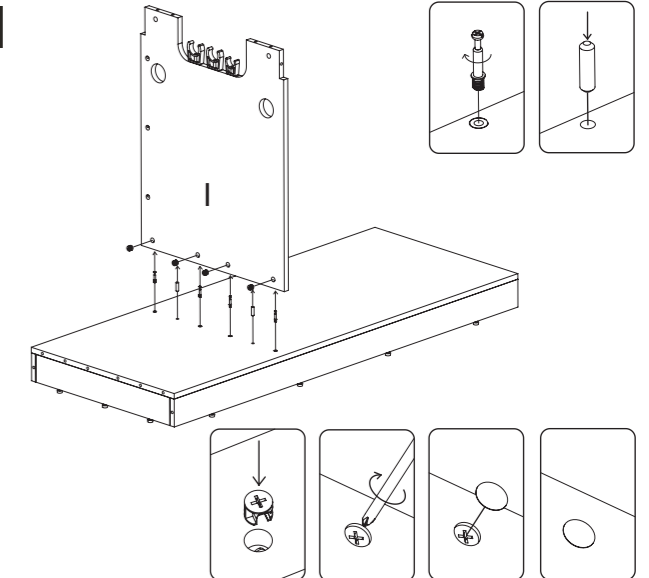
02



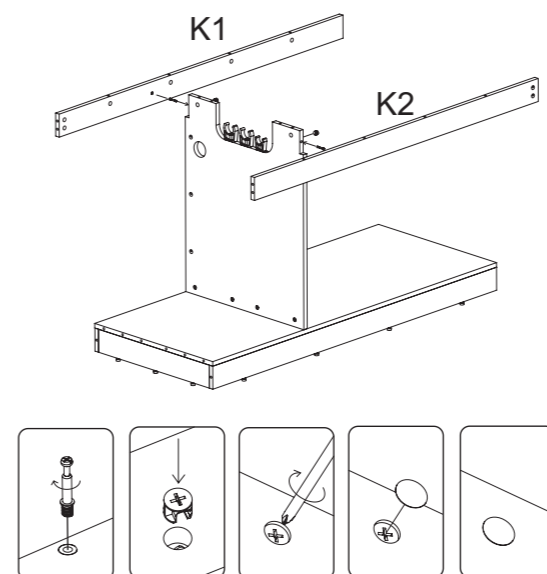
03



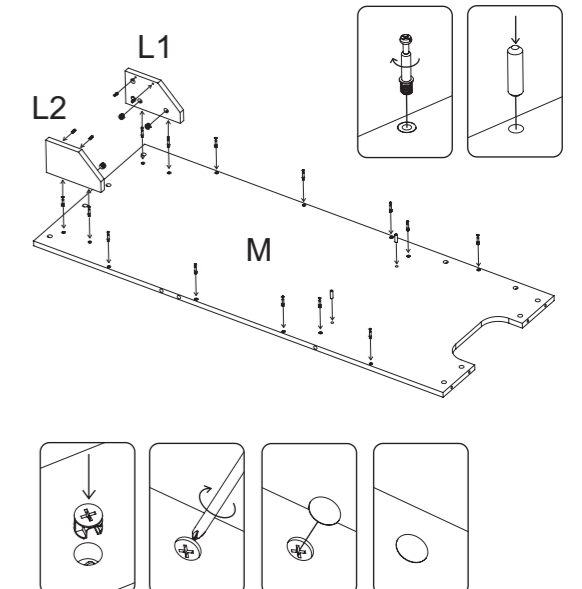
04

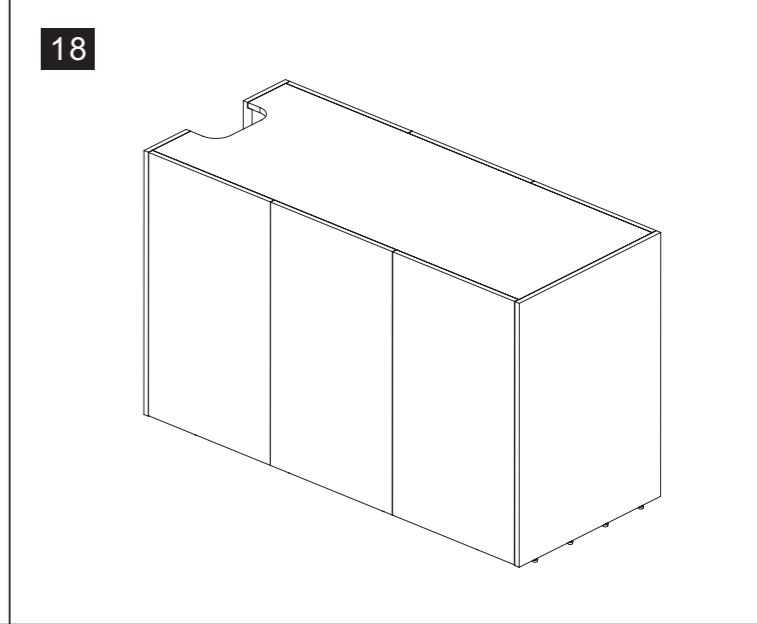
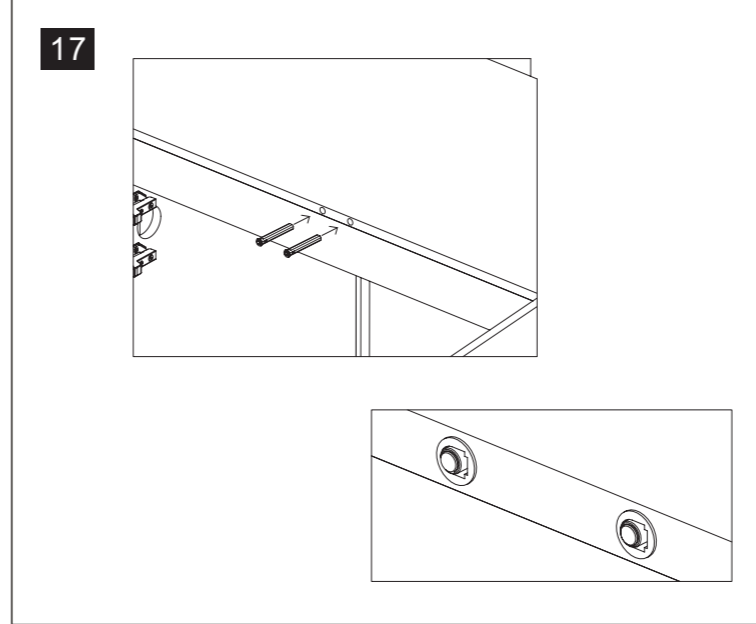
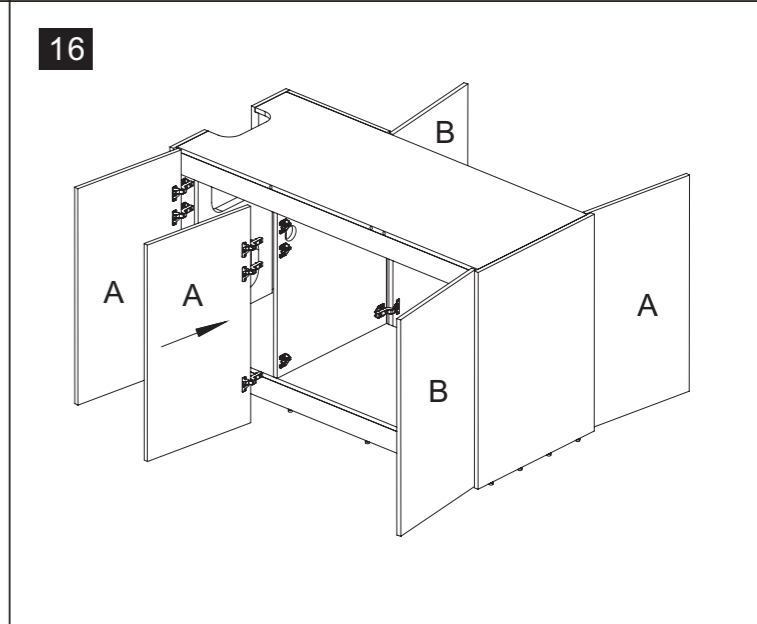
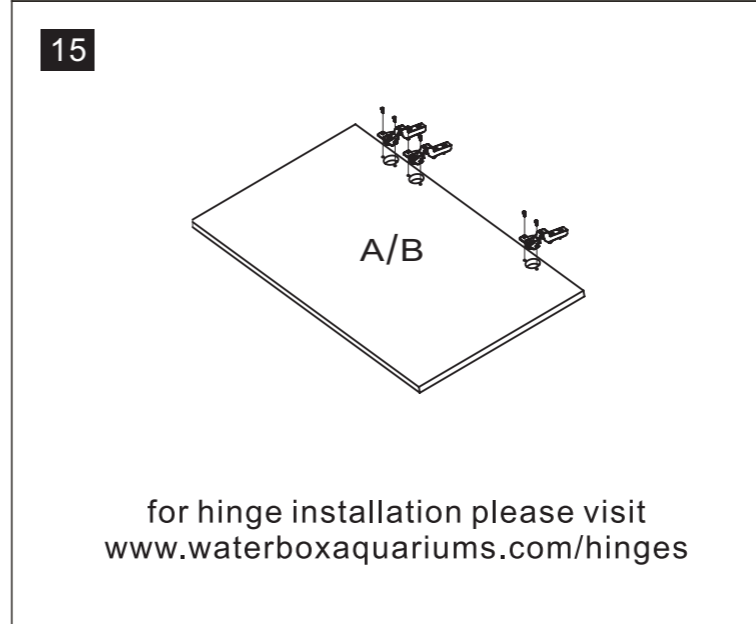
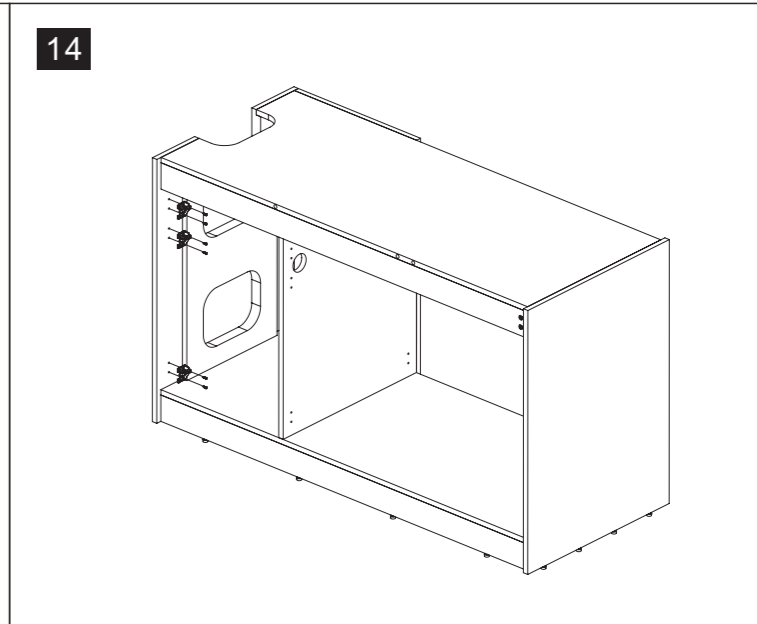
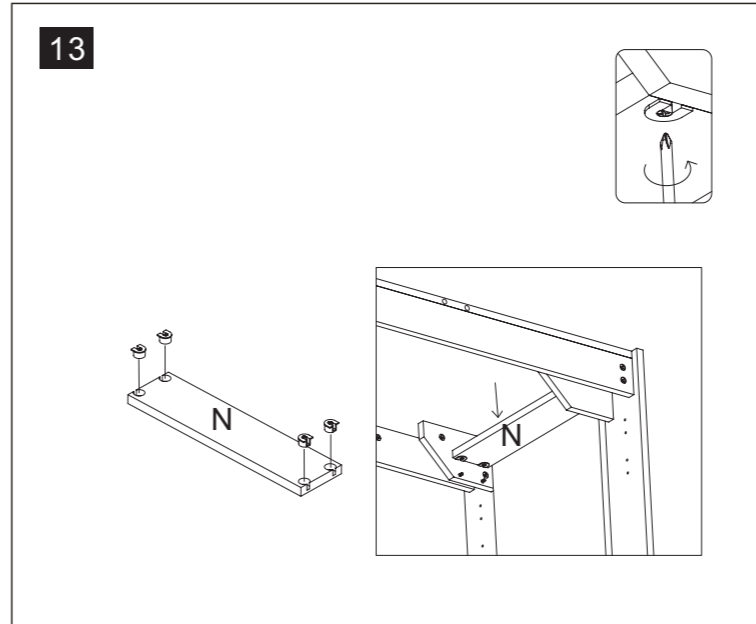
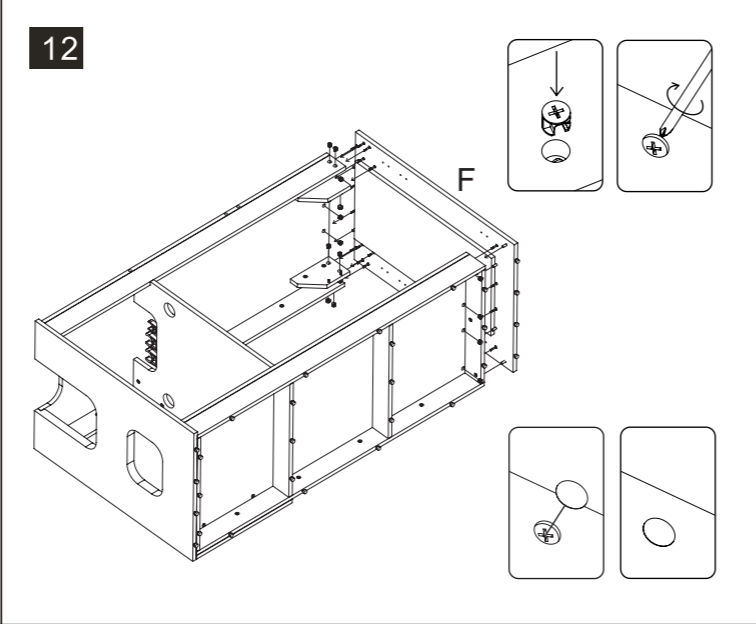
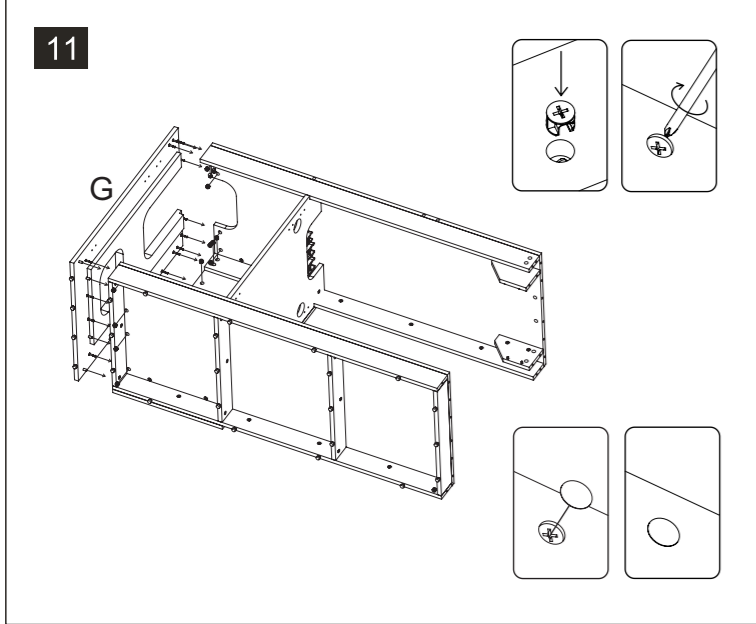
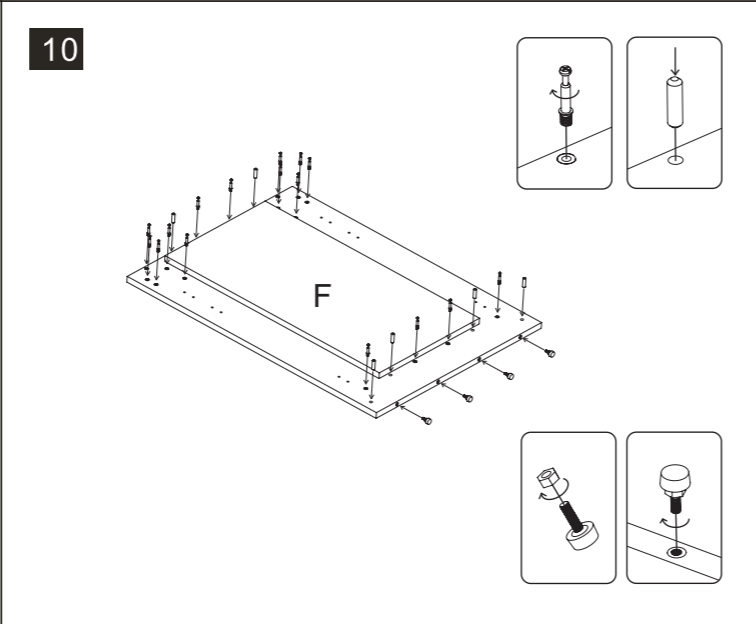
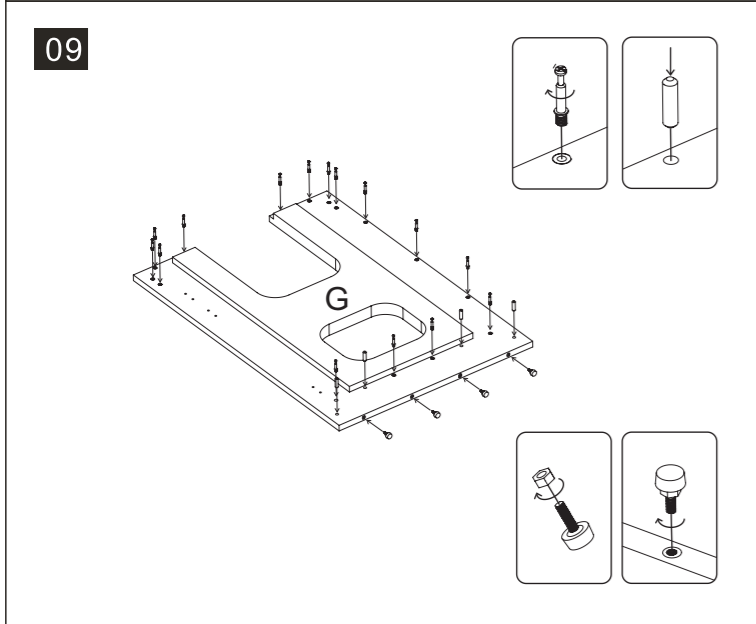
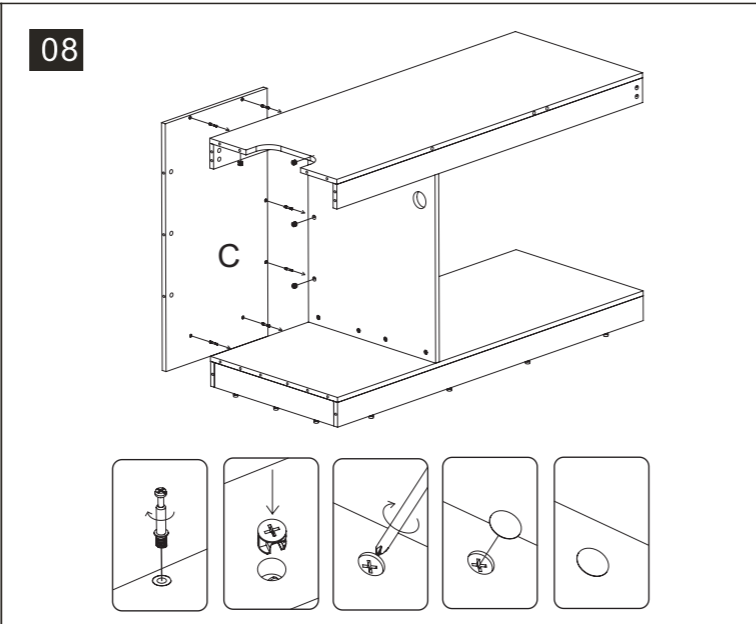
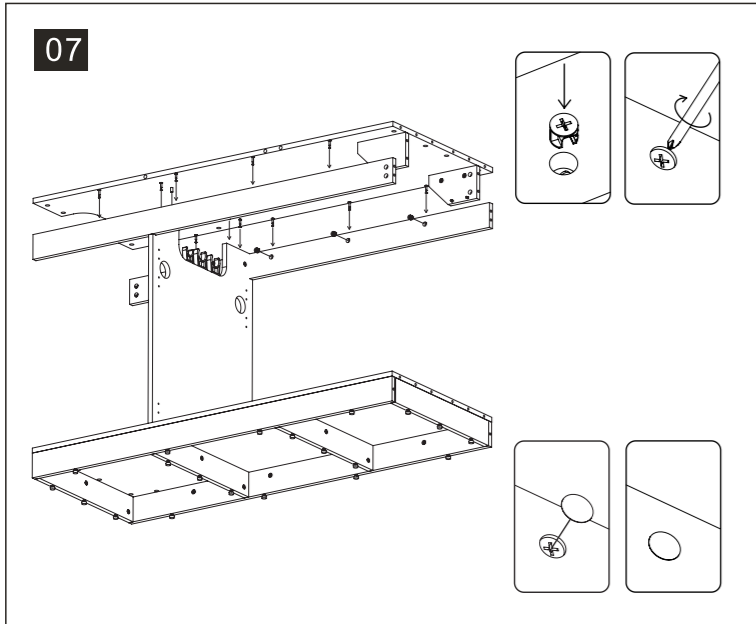


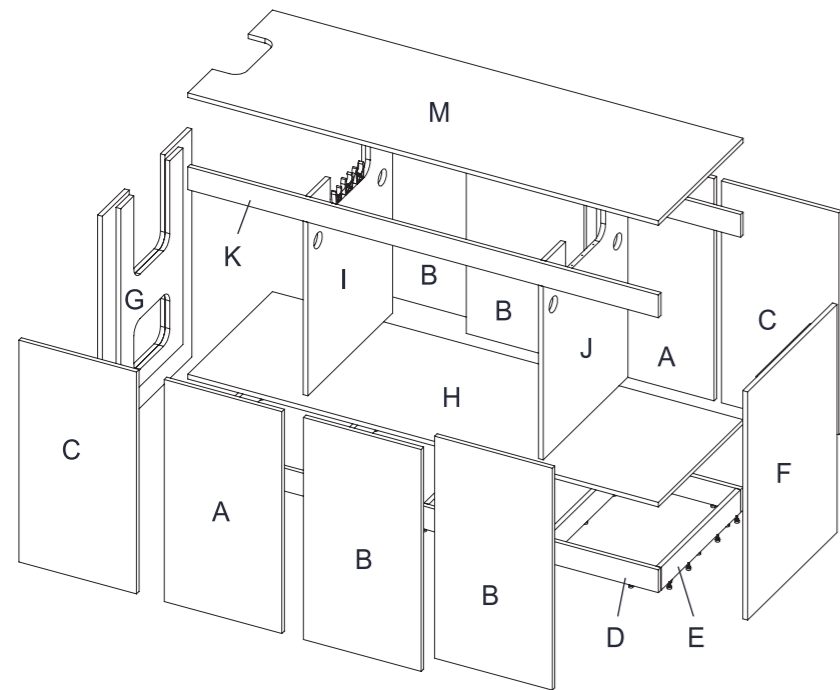
05



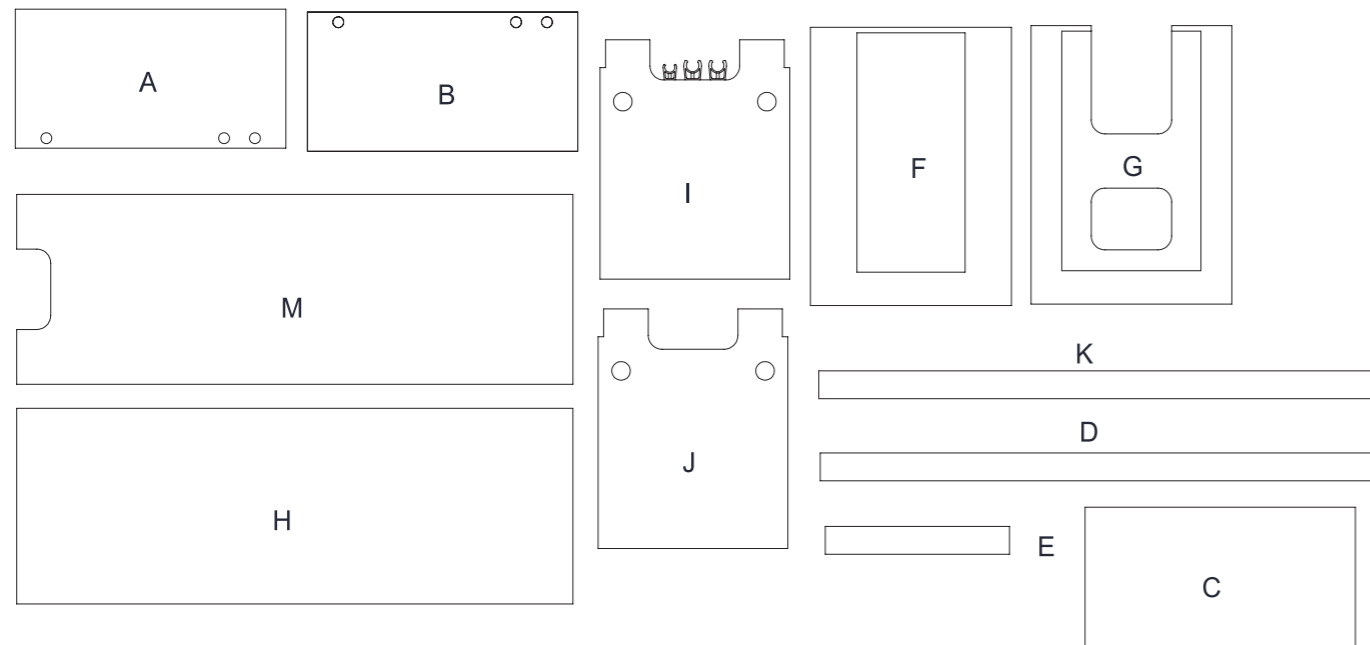
06







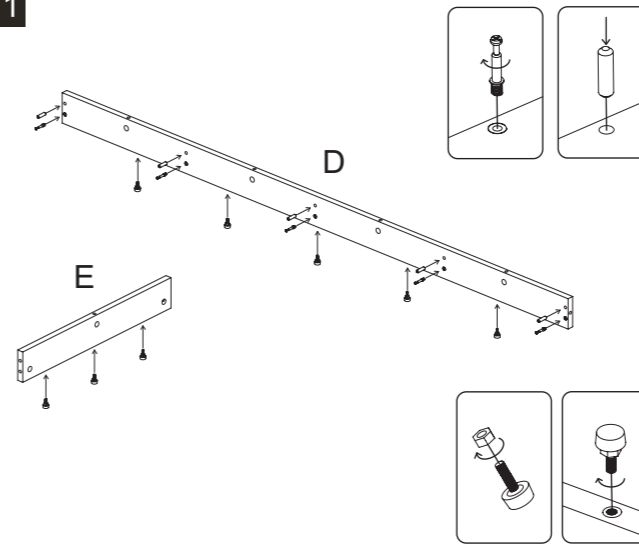
	Code	QTY
	C1201(White) C1202(Black)	33
	C1003	18
	C1401(White) C1402(Black)	87
	C1101	6
	C1301	28
	C1301	87
	C1301	87



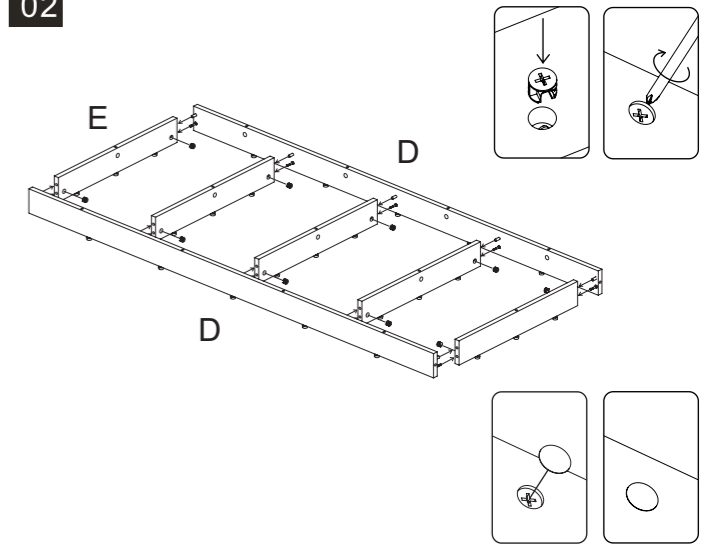
S/N	Name	QTY
A	Cabinet Door (L)	2
B	Cabinet Door (R)	4
C	Cabinet Door	2
D	Cabinet Front Lower	2
E	Cabinet Base Support	5
F	Cabinet Side Right	1

S/N	Name	QTY
G	Cabinet Side Left	1
H	Cabinet Bottom	1
I	Cabinet Internal Wall with Pipe clips	1
J	Cabinet Internal Wall	1
K	Cabinet Upper	2
M	Cabinet Top	1

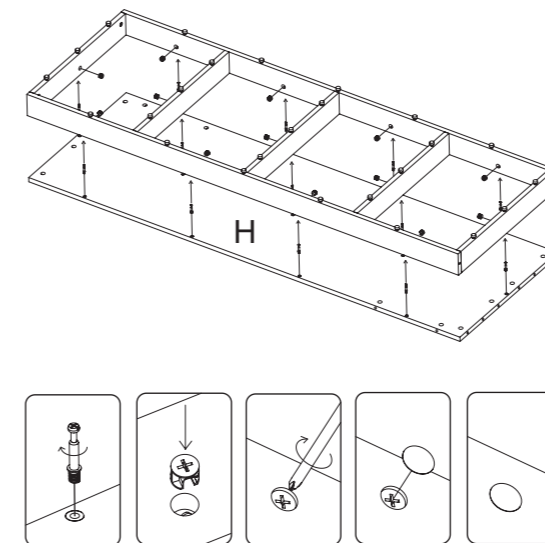
01



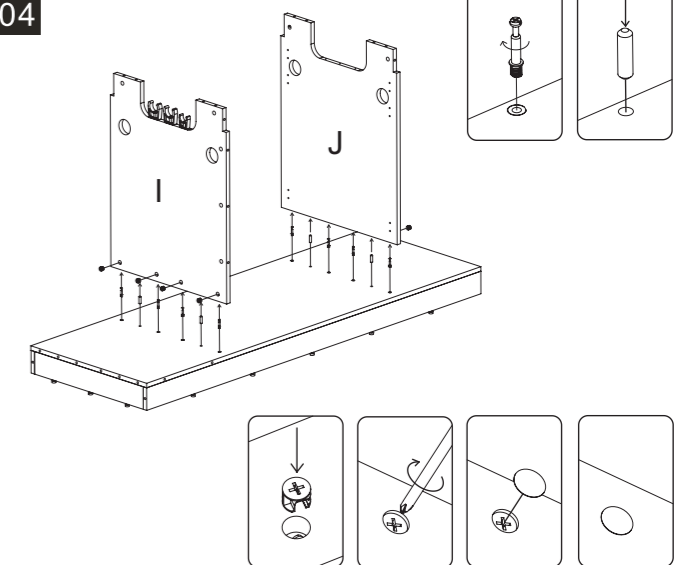
02



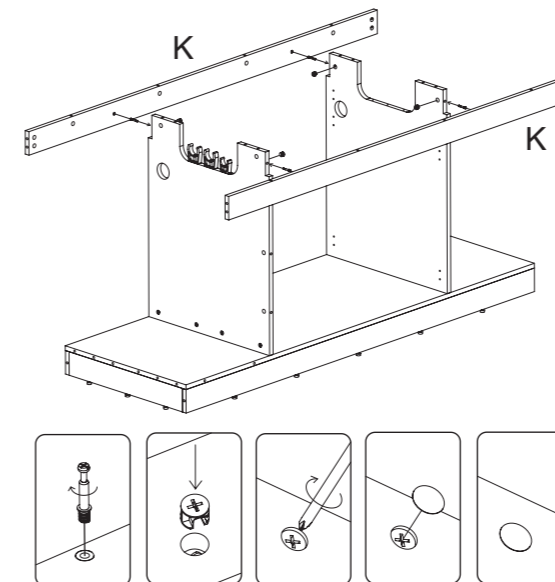
03



04



05



06

