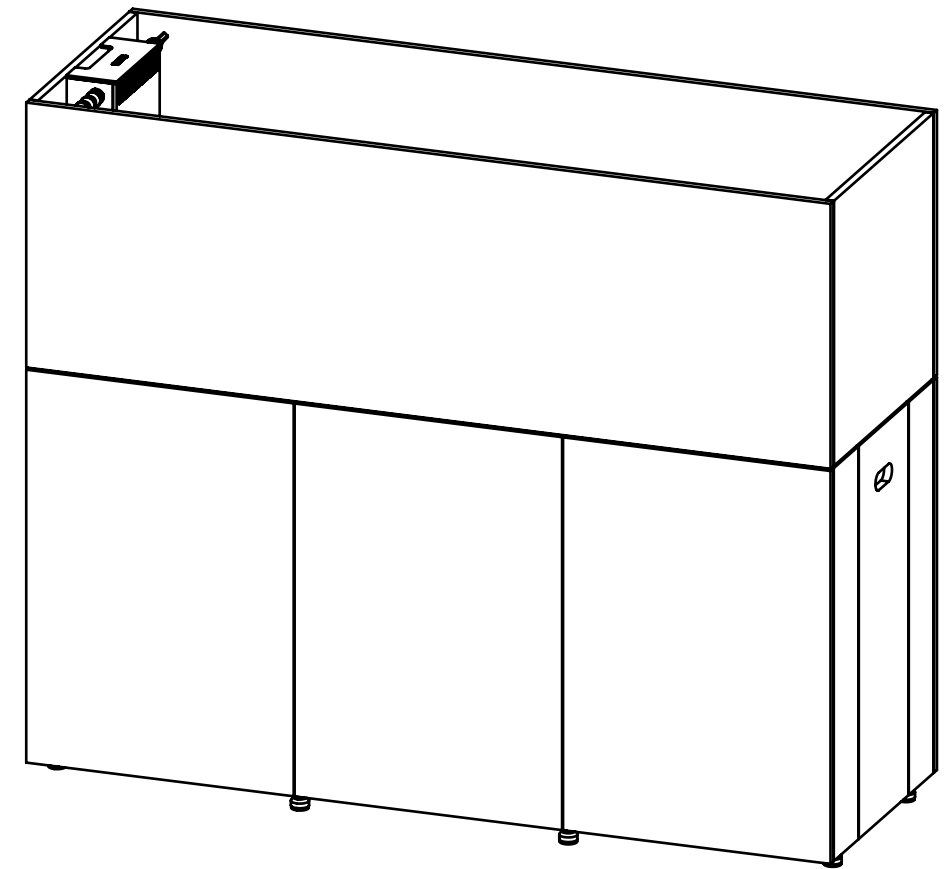


WATERBOX[®]
A Q U A R I U M S

WATERBOX[®]
A Q U A R I U M S



PRODUCT MANUAL

PENINSULA[®] 4820 | 6025 | 7225

WB-BL06-7402

Waterbox Aquariums USA
320.W.Sabal Palm Place
Longwood, FL 32779
www.waterboxaquariums.com

USA: +1 800-674-2608
Canada: +1 437 888 2612
Europe: +31 20 808 3685
UK: +44 1784 614175



CONTENT

◀ PENINSULA®

● PENINSULA® 4820 P2 ●

● PENINSULA® 6025 P3 ●

● PENINSULA® 7225 P4 ●

MY WATERBOX

Tank Model Tank Lot #

Cabinet Model Cabinet Lot #

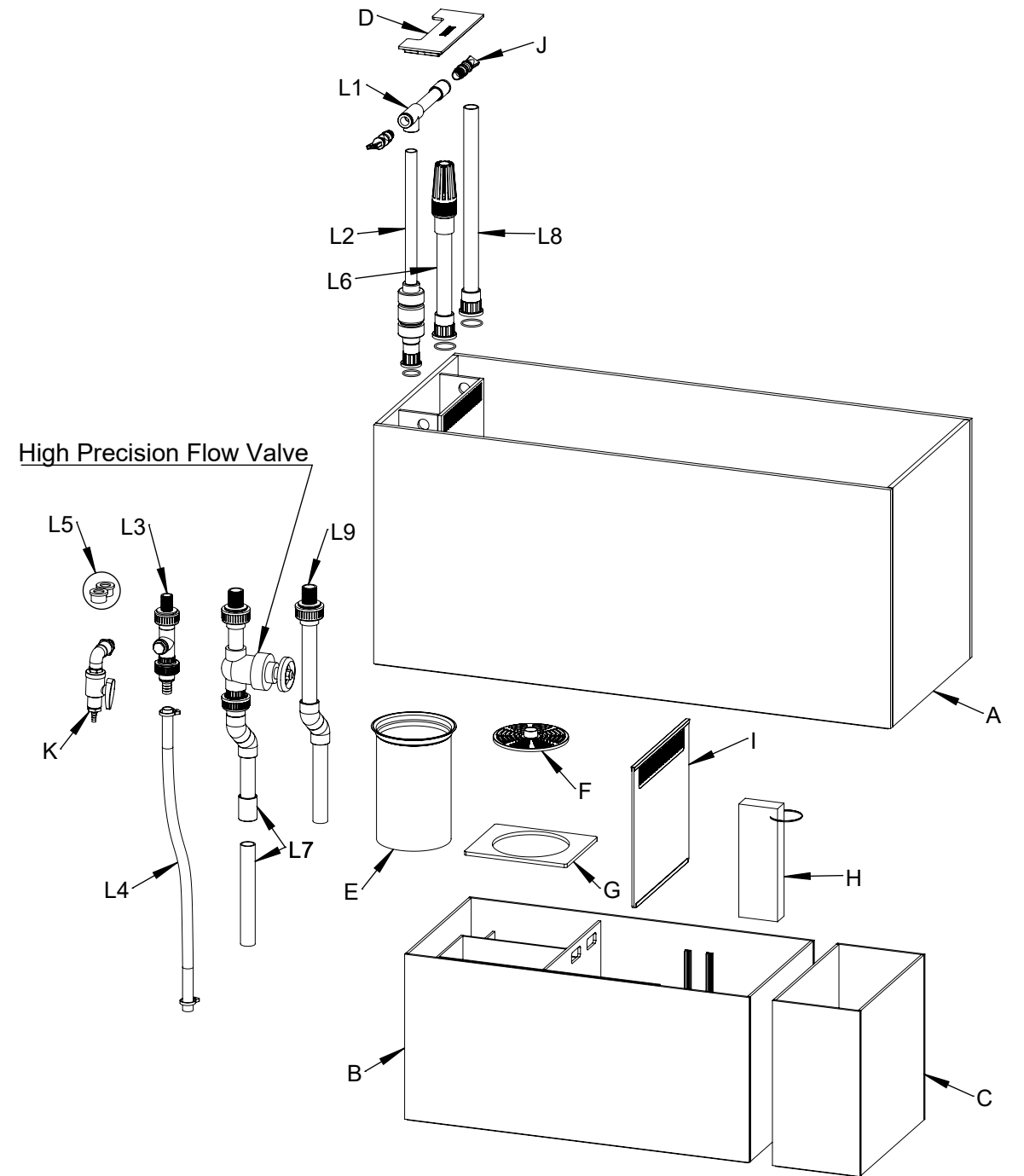
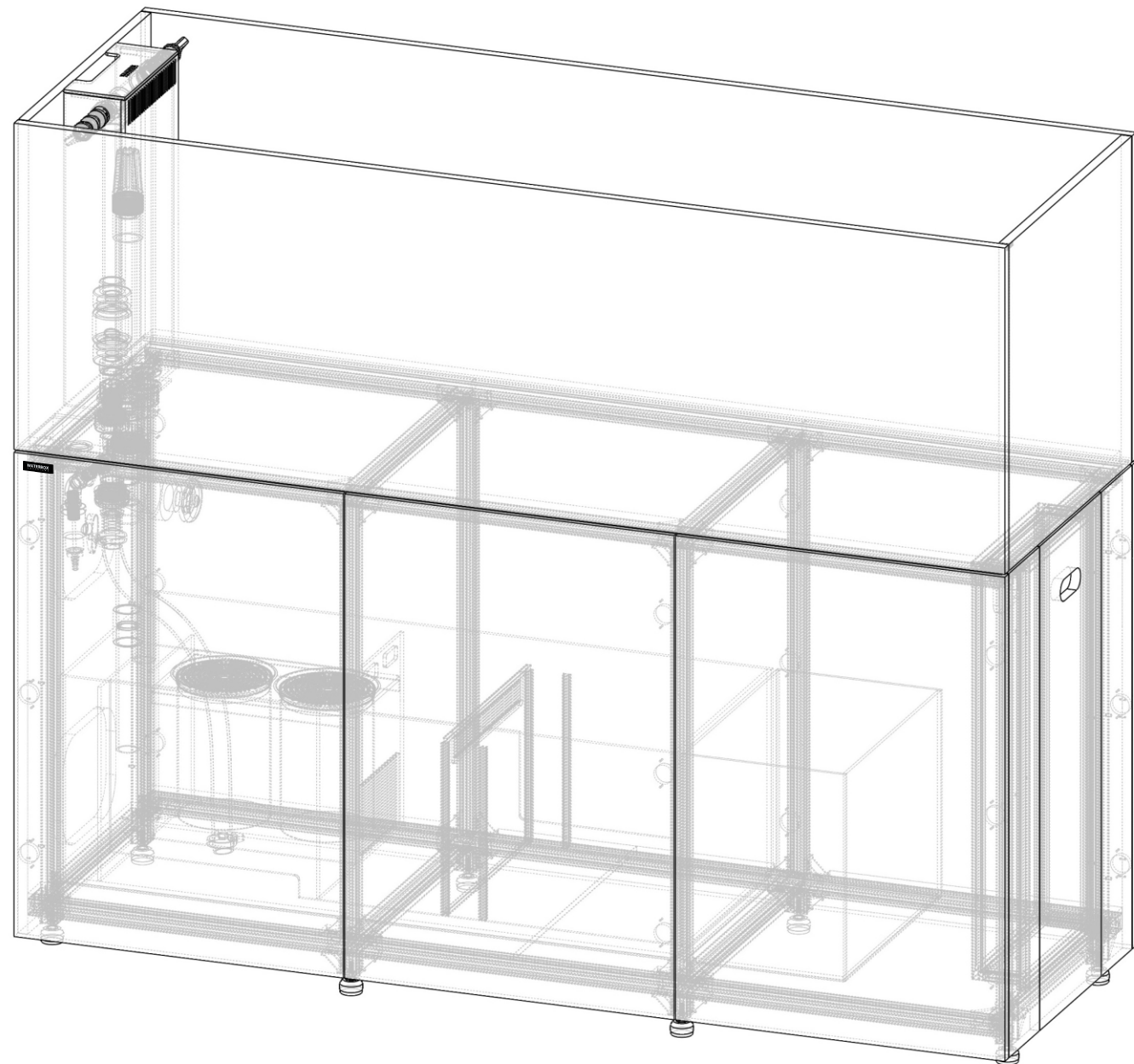
Purchase Date

Sellers

Address

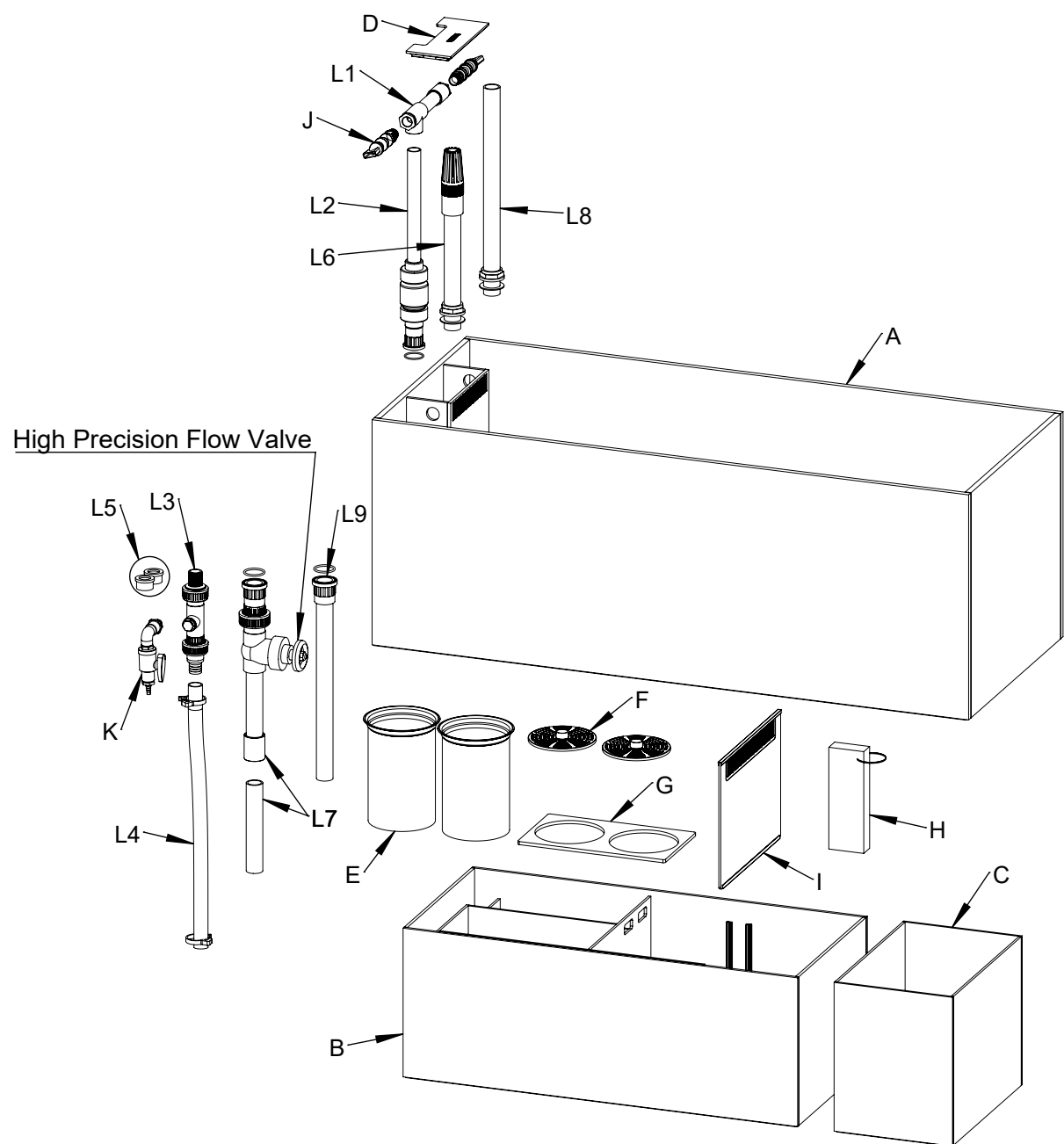
TEL/Mobile

PENINSULA® 3D View



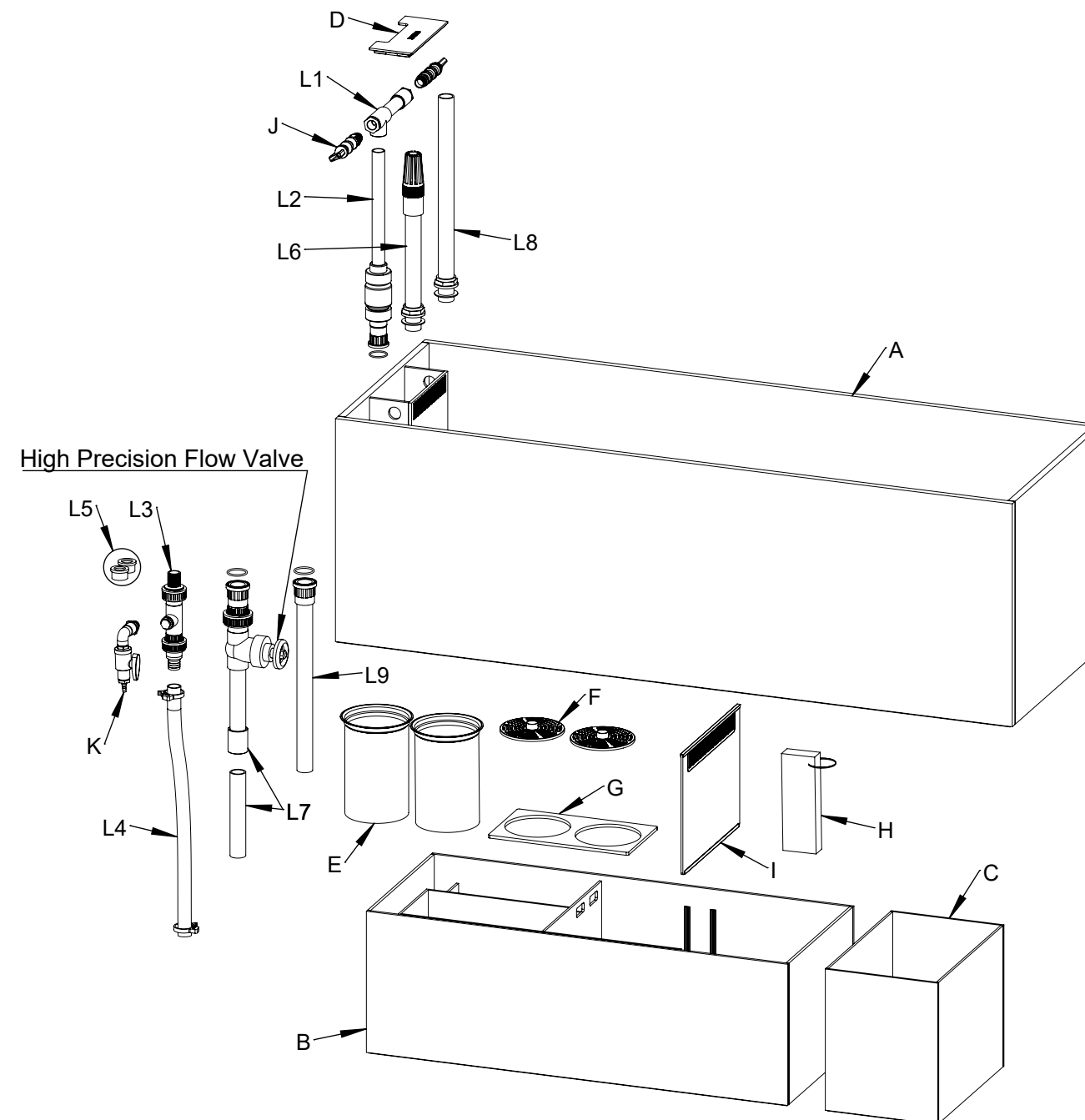
ITEM	QTY	KIT	CODE
A	1	Display Tank PEN 4820	S02GT70
B	1	Glass Sump PEN 4820	S02SP63
C	1	ATO PEN 4820	S02AT46
D	1	LID-2610-C	850000451247
E	1	MESH 225 Micron -7"	850000451858
F	1	Filter Sock Silencer 7"	810039391013
G	1	Filter Socks Holder	R11YKL58
H	1	Filter Sponge 350*90	S12FS33
I	1	Refugium Baffle 342	S11ZG12
J	2	NZ 15-FRX	810039391174
K	1	Manifold 15	810039391969

ITEM	QTY	DESCRIPTION	KIT	CODE
L 1	1	Outlet assembly A07	Plumbing Kit for PENINSULA 4820	S22PK402
L 2	1	Outlet assembly B30		
L 3	1	Outlet assembly B22		
L 4	1	18/24 Black PVC Flexible Hose		
L 5	1	Union connector kit (DN20)		
L 6	1	Main drain standpipe H04		
L 7	1	Main drain sump side J35		
L 8	1	Emergency overflow standpipe K29		
L 9	1	Emergency overflow sump side L34		



ITEM	QTY	KIT	CODE
A	1	Display Tank PEN 6025	S02GT71
B	1	Glass Sump PEN 6025	S02SP64
C	1	ATO INF REEF 190.5/230.6/INF FRAG 155.5/175.6/PEN 6025/7225/LX 290.6/330.7	S02AT45
D	1	LID-2612-C	810039394229
E	2	MESH 225 Micron -7"	850000451858
F	2	Filter Sock Silencer 7"	810039391013
G	1	Filter Socks Holder	R11YKL56
H	1	Filter Sponge 350*90	S12FS33
I	1	Refugium Baffle 413	S11ZG13
J	2	NZ 20-FX	810039391181
K	1	Manifold 15	810039391969

ITEM	QTY	DESCRIPTION	KIT	CODE
L 1	1	Outlet assembly A13	Plumbing Kit for PENINSULA 6025	S22PK401
L 2	1	Outlet assembly B29		
L 3	1	Outlet assembly D09		
L 4	1	28/34 Clear PVC Flexible Hose		
L 5	1	Union connector kit (DN25)		
L 6	1	Main drain standpipe H24		
L 7	1	Main drain sump side J36		
L 8	1	Emergency overflow standpipe K27		
L 9	1	Emergency overflow sump side L35		



ITEM	QTY	KIT	CODE
A	1	Display Tank PEN 7225	S02GT72
B	1	Glass Sump PEN 7225	S02SP65
C	1	ATO INF REEF 190.5/230.6/INF FRAG 155.5/175.6/PEN 6025/7225/LX 290.6/330.7	S02AT45
D	1	LID-2612-C	810039394229
E	2	MESH 225 Micron -7"	850000451858
F	2	Filter Sock Silencer 7"	810039391013
G	1	Filter Socks Holder	R11YKL56
H	1	Filter Sponge 350*90	S12FS33
I	1	Refugium Baffle 413	S11ZG13
J	2	NZ 20-FX	810039391181
K	1	Manifold 15	810039391969

ITEM	QTY	DESCRIPTION	KIT	CODE
L 1	1	Outlet assembly A13	Plumbing Kit for PENINSULA 7225	S22PK400
L 2	1	Outlet assembly B31		
L 3	1	Outlet assembly D09		
L 4	1	28/34 Clear PVC Flexible Hose		
L 5	1	Union connector kit (DN25)		
L 6	1	Main drain standpipe H25		
L 7	1	Main drain sump side J36		
L 8	1	Emergency overflow standpipe K28		
L 9	1	Emergency overflow sump side L35		