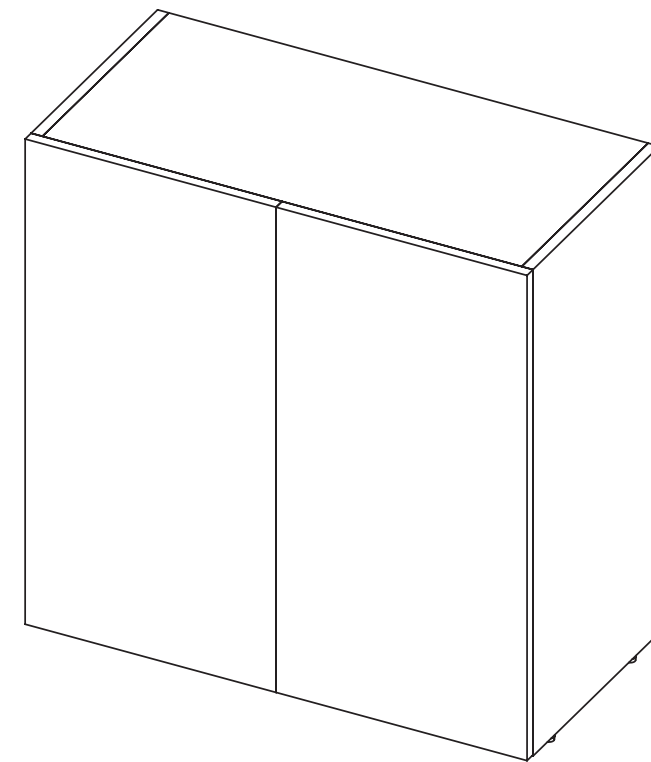


**WATERBOX**<sup>®</sup>  
A Q U A R I U M S

**WATERBOX**<sup>®</sup>  
A Q U A R I U M S

**Aquarium Cabinet**

**PB 1818/2416/3216**



**Cabinet Assembly Manual**

WB-PB-7312

Waterbox Aquariums USA  
320.W.Sabal Palm Place  
Longwood, FL 32779  
[www.waterboxaquariums.com](http://www.waterboxaquariums.com)

USA: +1 800-674-2608  
Canada: +1 437 888 2612  
Europe: +31 20 808 3685  
UK: +44 1784 614175



# CONTENT

## ◆ Aquarium Cabinet

● PB 1818	P01 ●
● PB 2416	P05 ●
● PB 3216	P09 ●

## MY WATERBOX

Tank Model ----- Tank Lot # -----

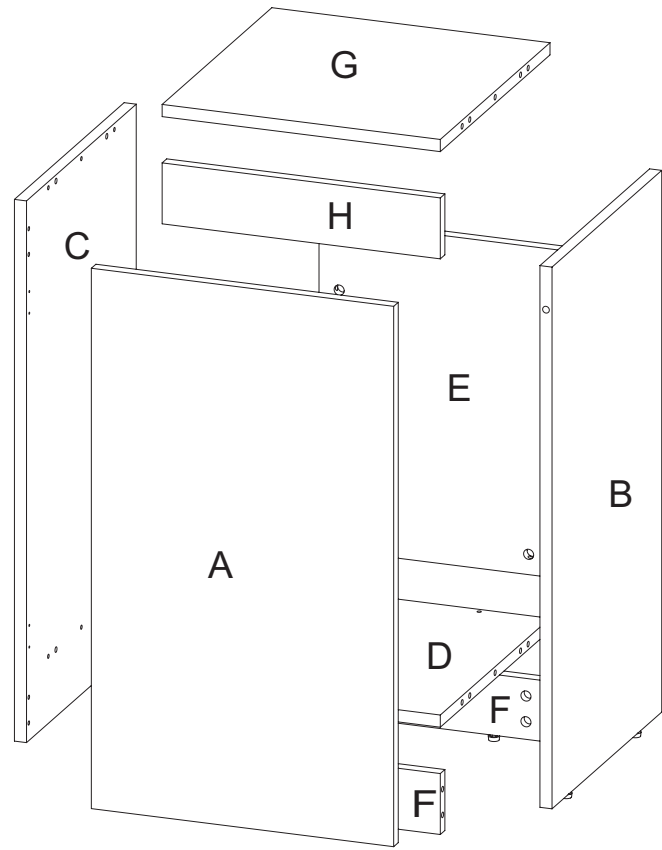
Cabinet Model ----- Cabinet Lot # -----

Purchase Date -----

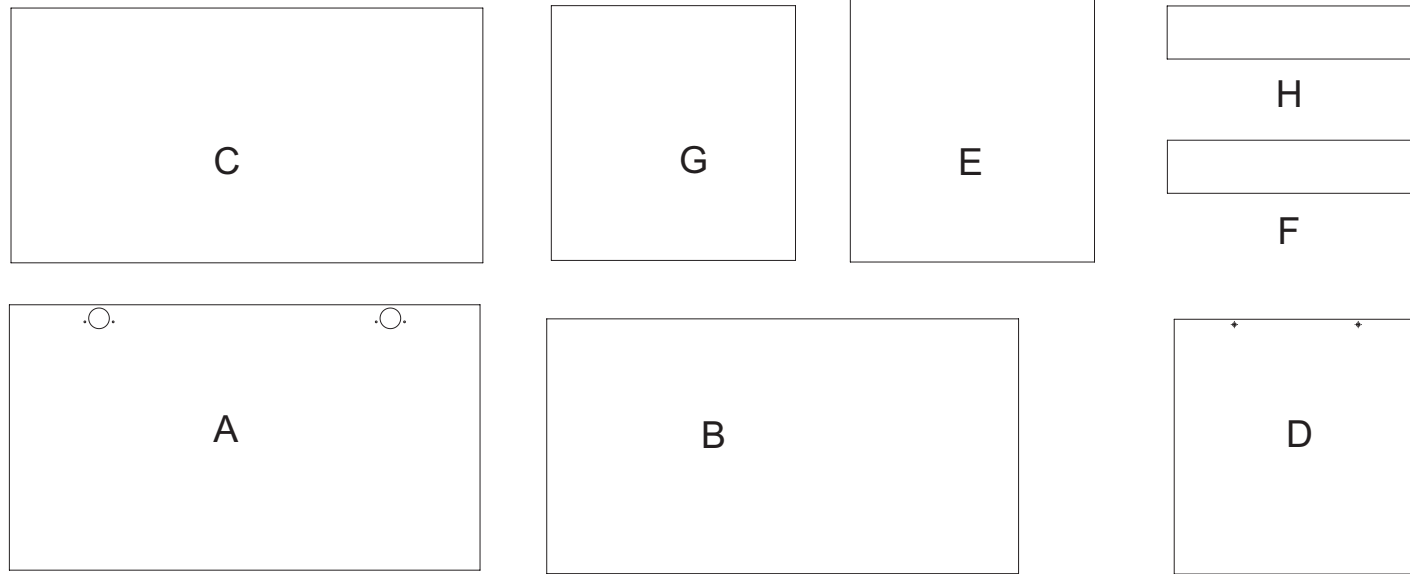
Sellers -----

Address -----

TEL/Mobile -----



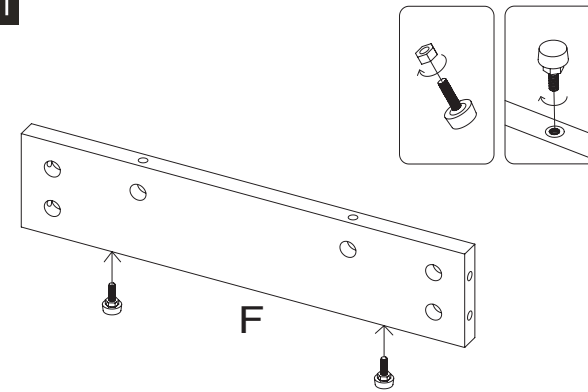
	Code	Name	QTY	Spare
	C1201(White) C1202(Black)	Leveling Foot	8	2
	C1001	Door Hinge	3	
	C1401(White) C1402(Black) C1403(Aspen)	PVC Sticker	36	10
	C1101	Rebound Kit	1	
	C1301	Furniture Connect Bolt	8	5
	C1301		36	5
	C1301		36	5



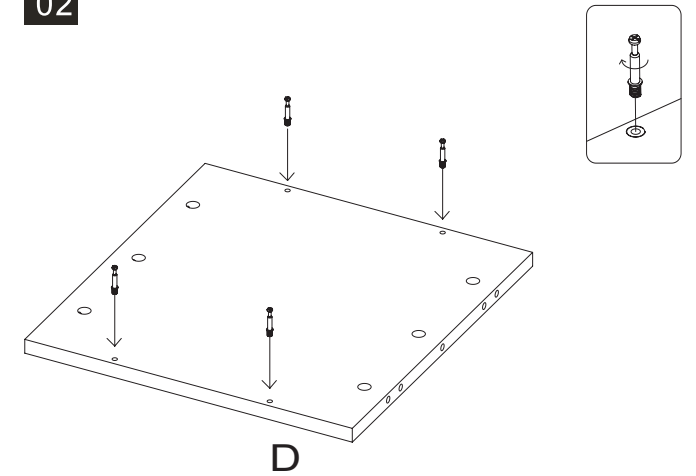
S/N	Name	QTY
A	Cabinet Door	1
B	Cabinet Side Right	1
C	Cabinet Side Left	1
D	Cabinet Bottom	1
E	Cabinet Rear	1
F	Cabinet Front Lower	2

S/N	Name	QTY
G	Cabinet Top	1
H	Cabinet Front Upper	1

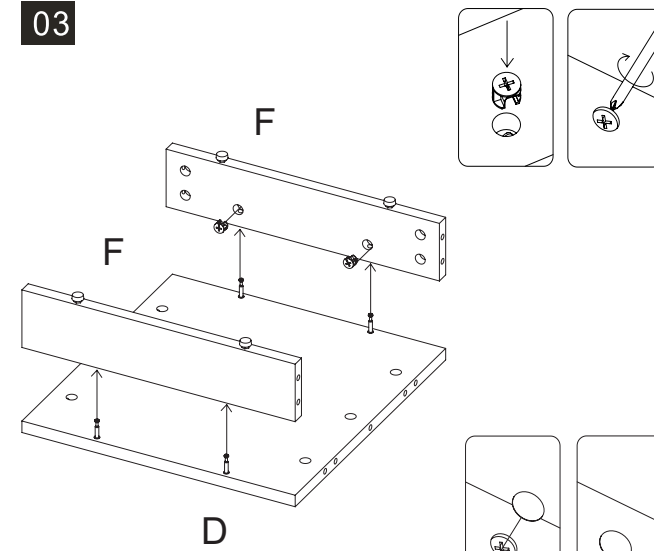
01



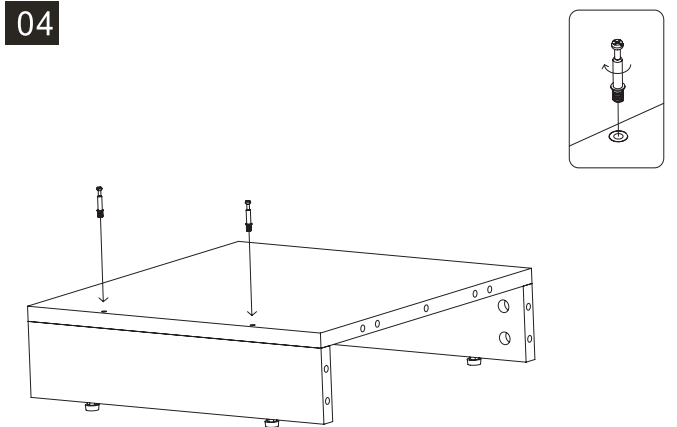
02



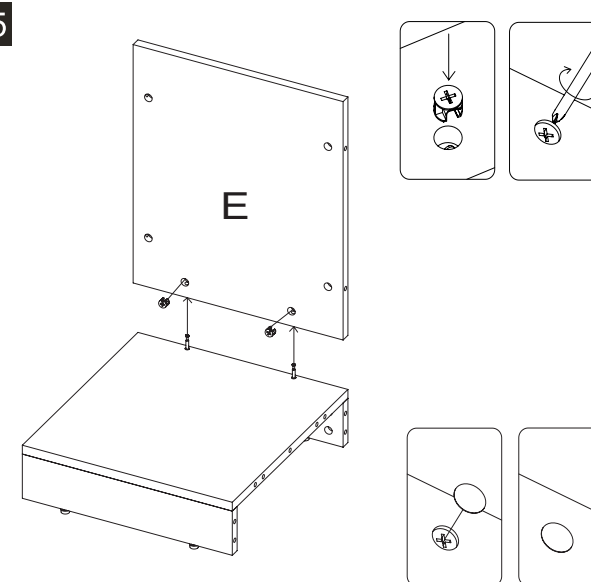
03



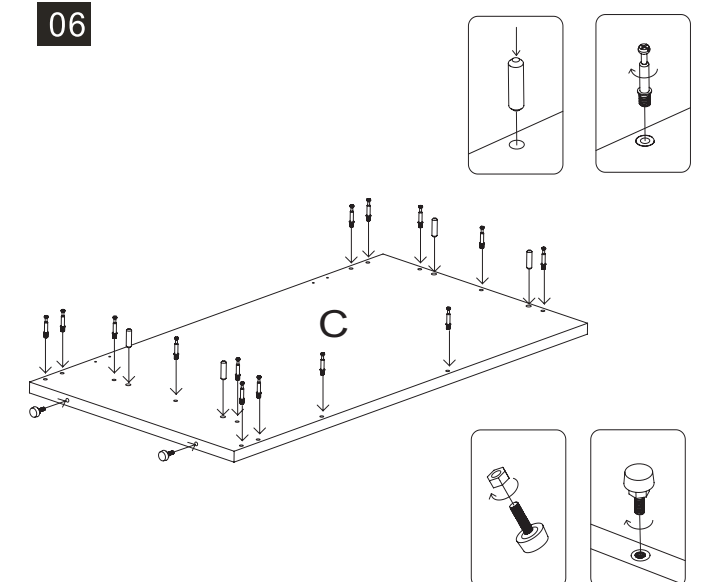
04

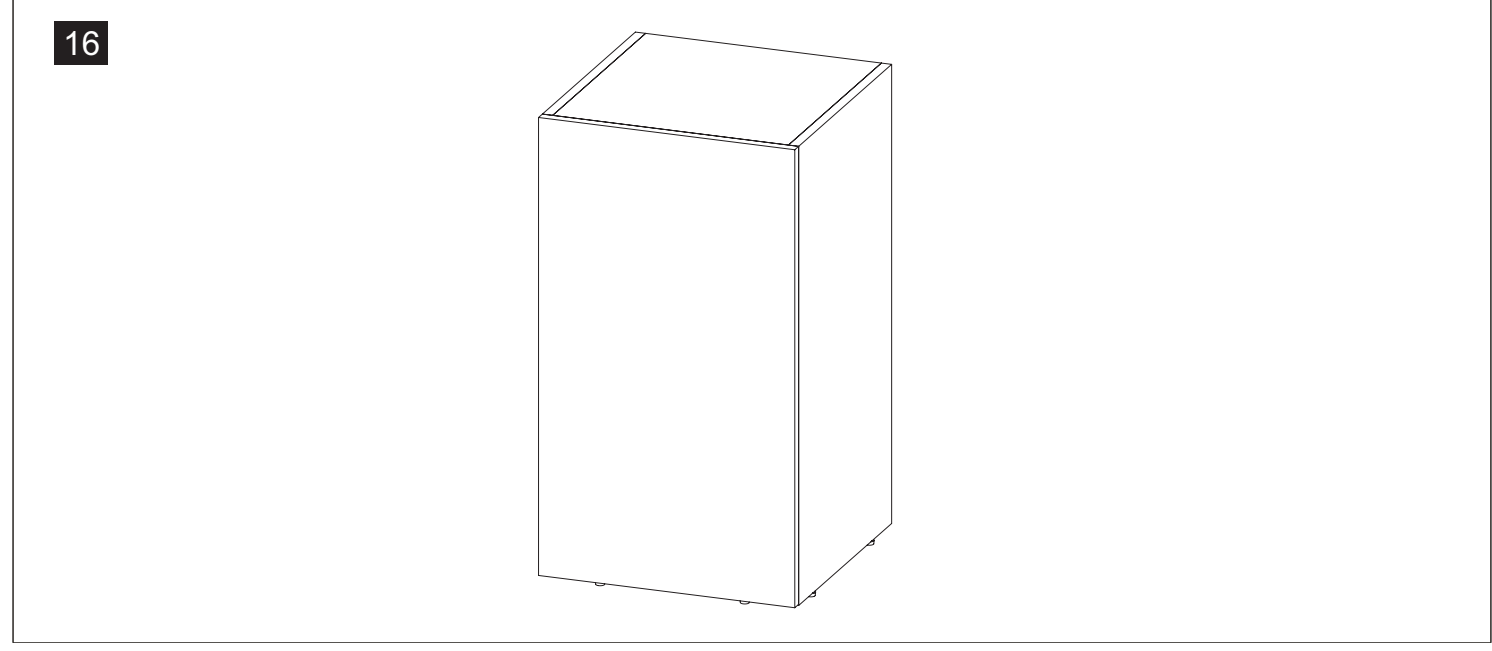
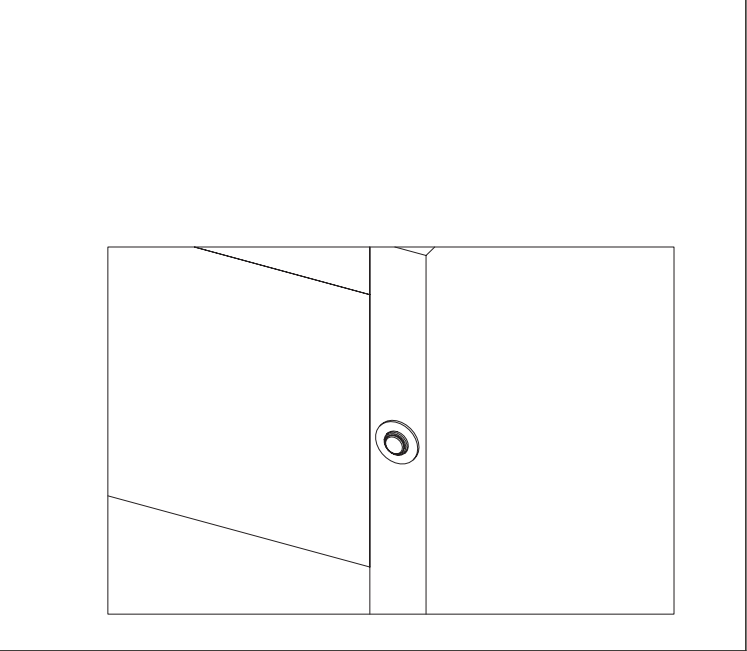
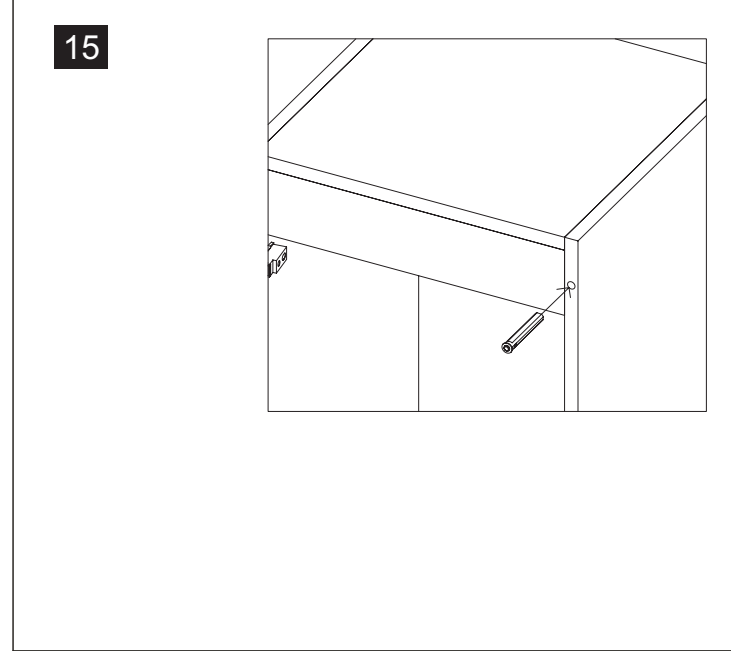
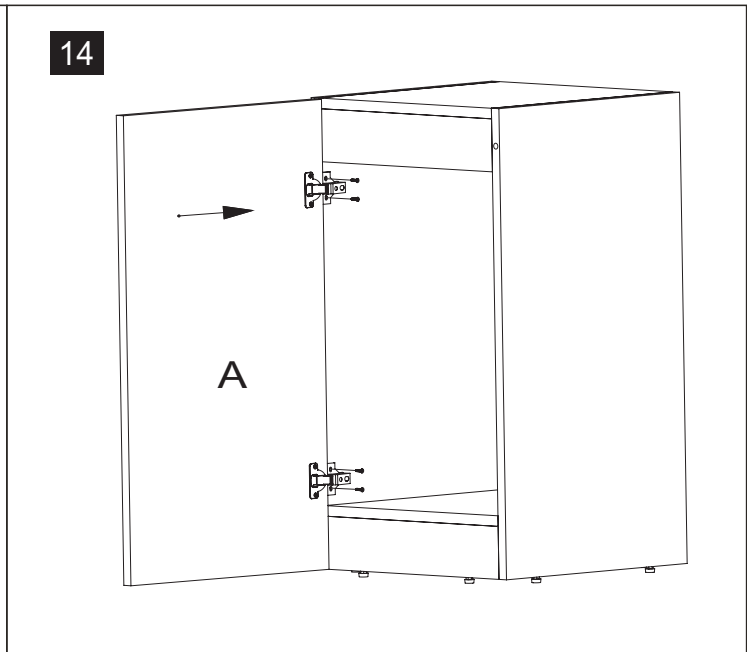
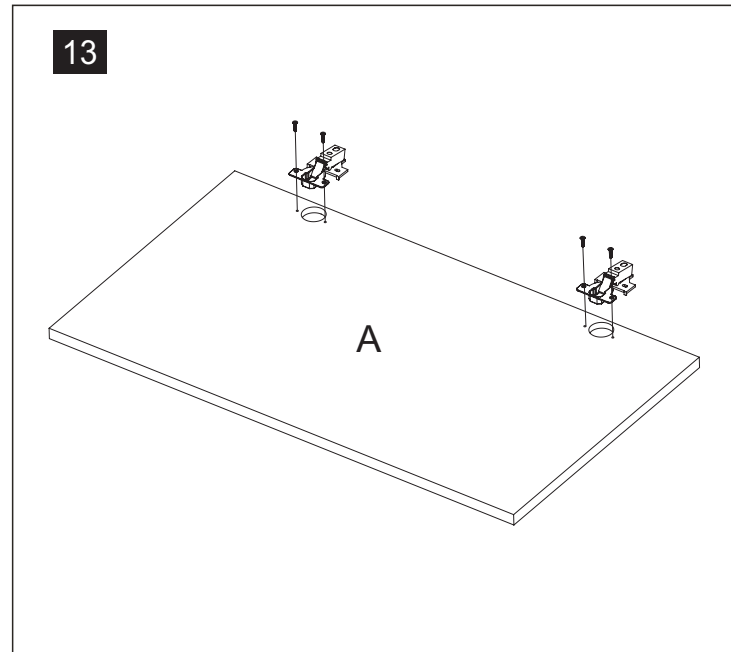
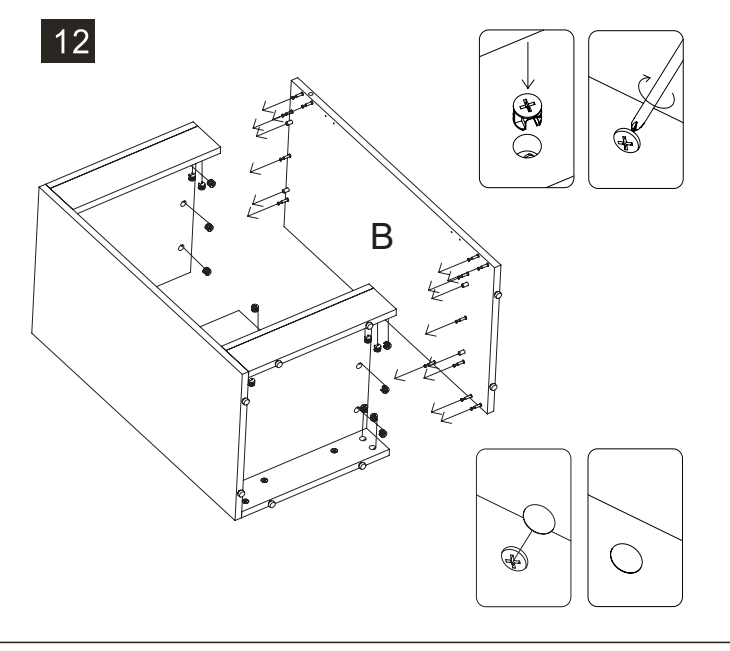
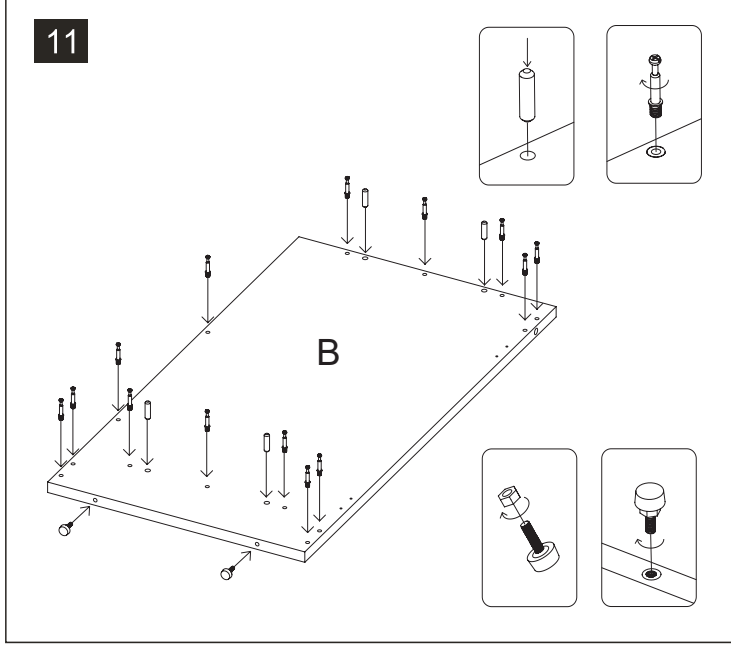
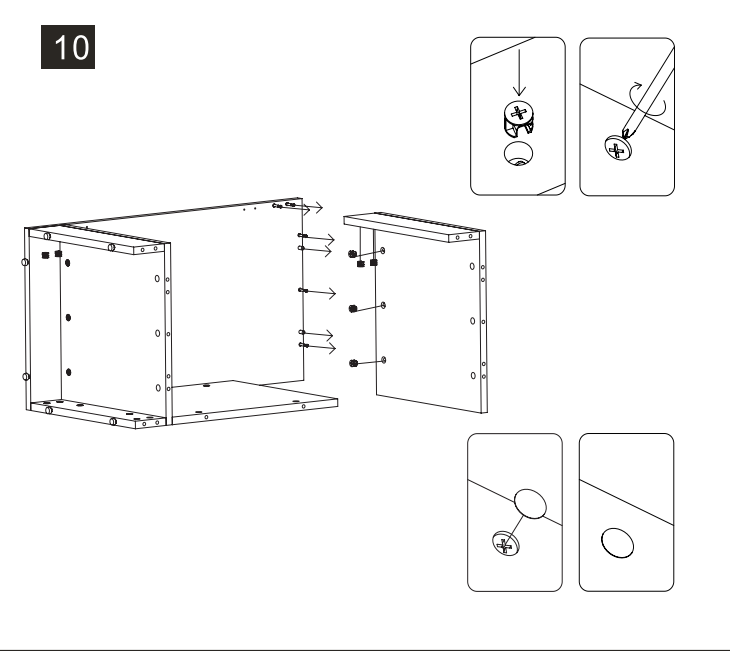
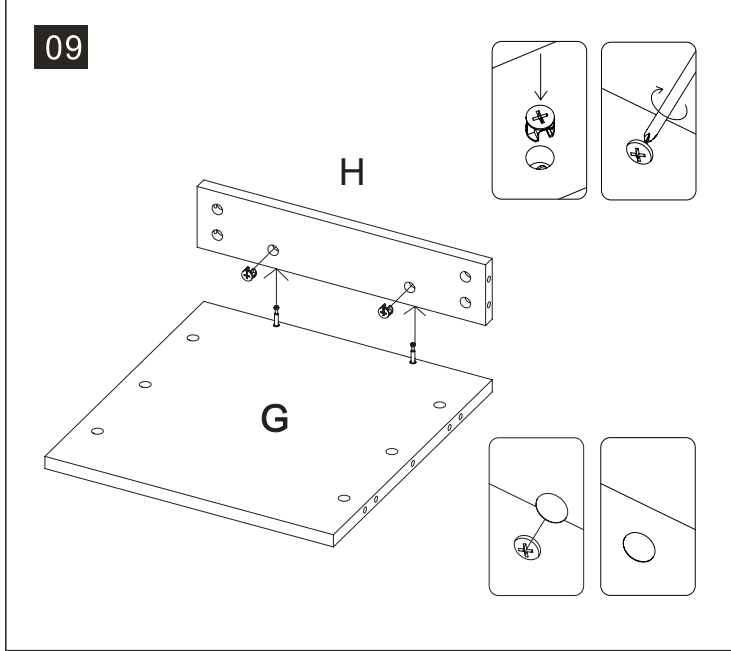
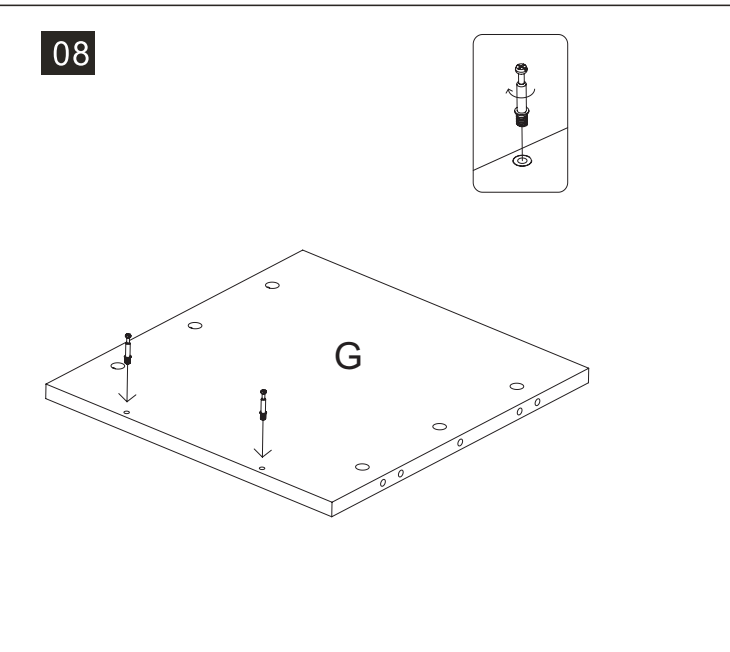
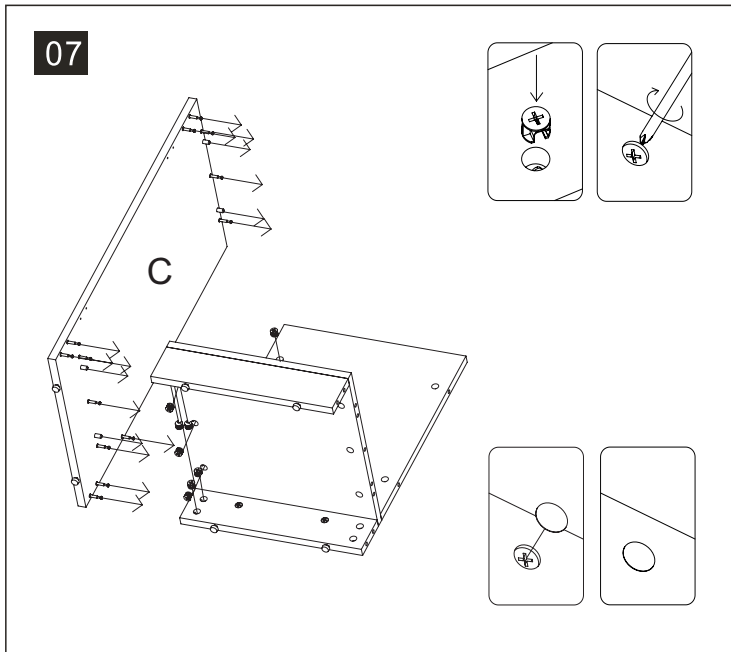


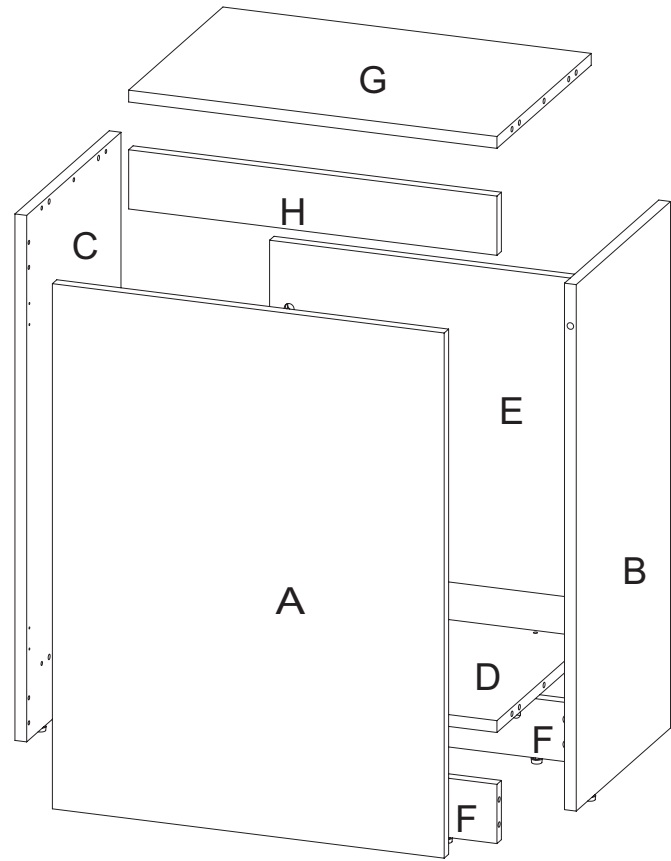
05



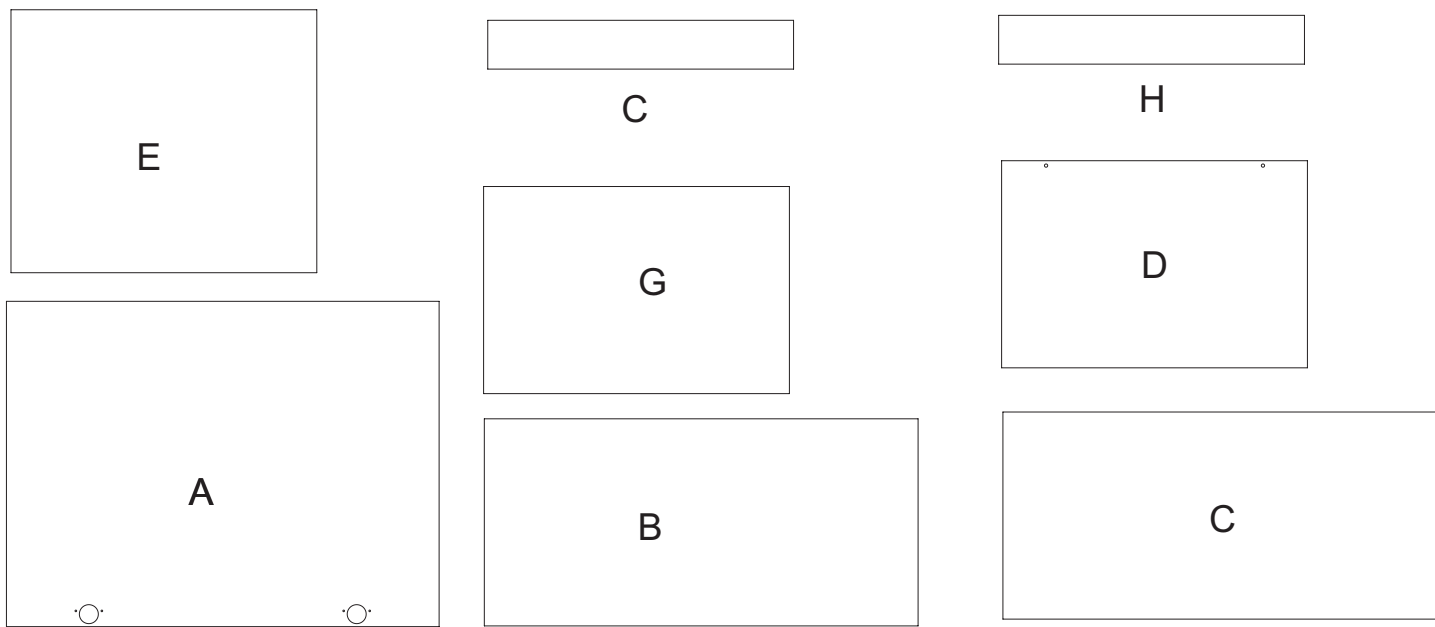
06







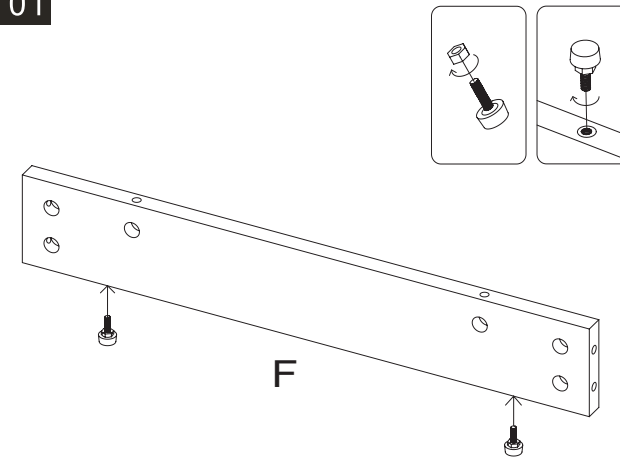
	Code	Name	QTY	Spare
	C1201(White) C1202(Black)	Leveling Foot	8	2
	C1001	Door Hinge	3	
	C1401(White) C1402(Black) C1403(Aspen)	PVC Sticker	36	10
	C1101	Rebound Kit	1	
	C1301	Furniture Connect Bolt	8	5
	C1301		36	5
	C1301		36	5



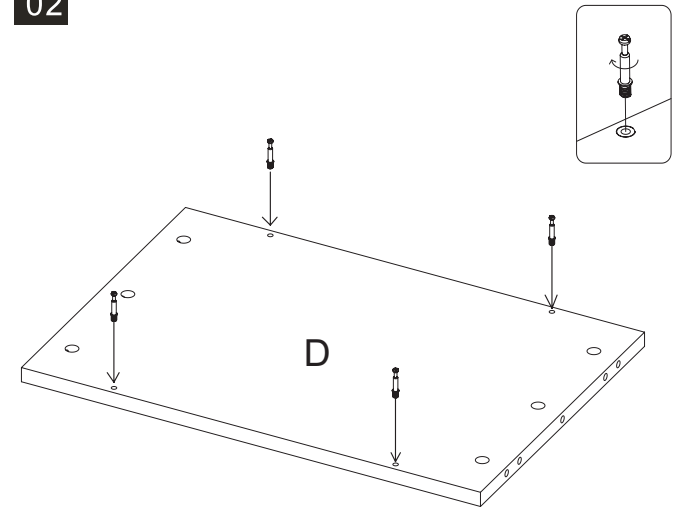
S/N	Name	QTY
A	Cabinet Door	1
B	Cabinet Side Right	1
C	Cabinet Side Left	1
D	Cabinet Bottom	1
E	Cabinet Rear	1
F	Cabinet Front Lower	2

S/N	Name	QTY
G	Cabinet Top	1
H	Cabinet Front Upper	1

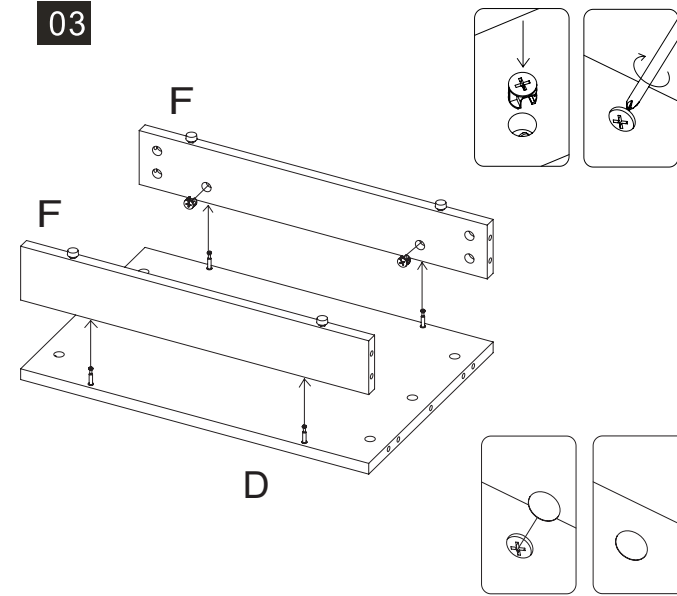
01



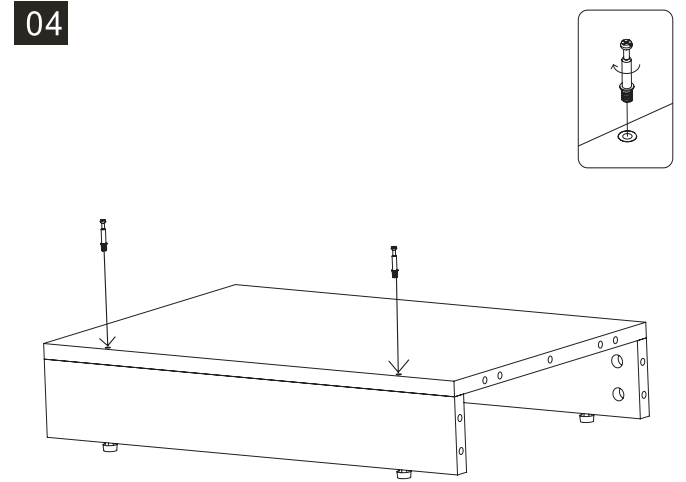
02



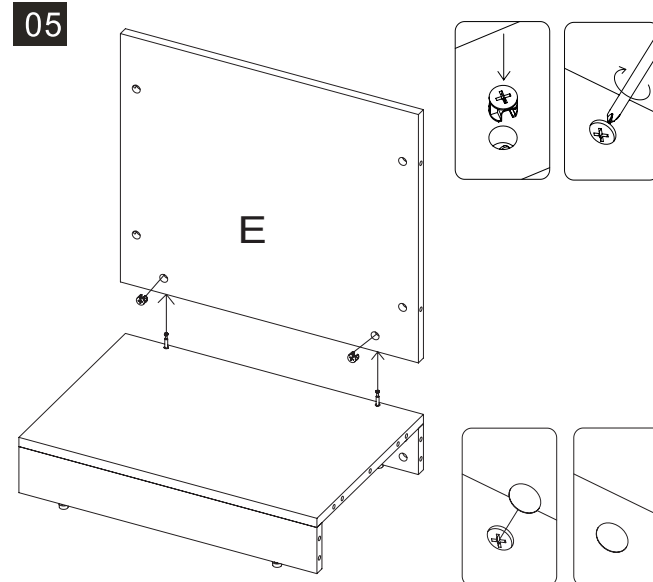
03



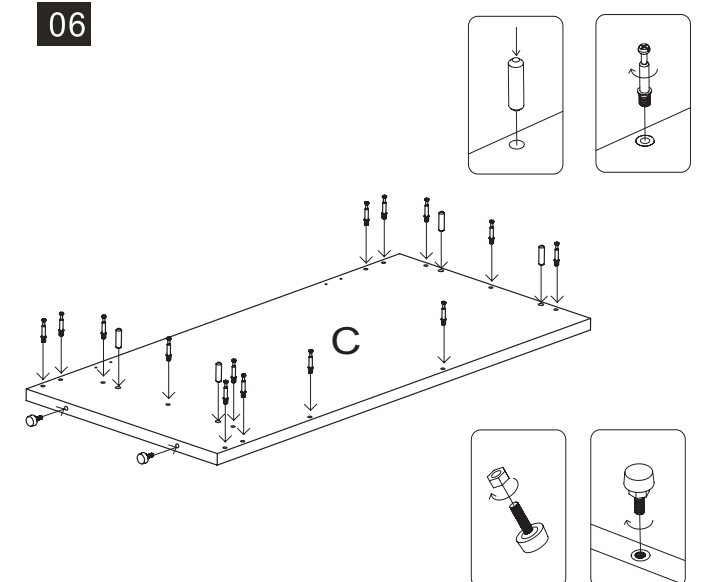
04

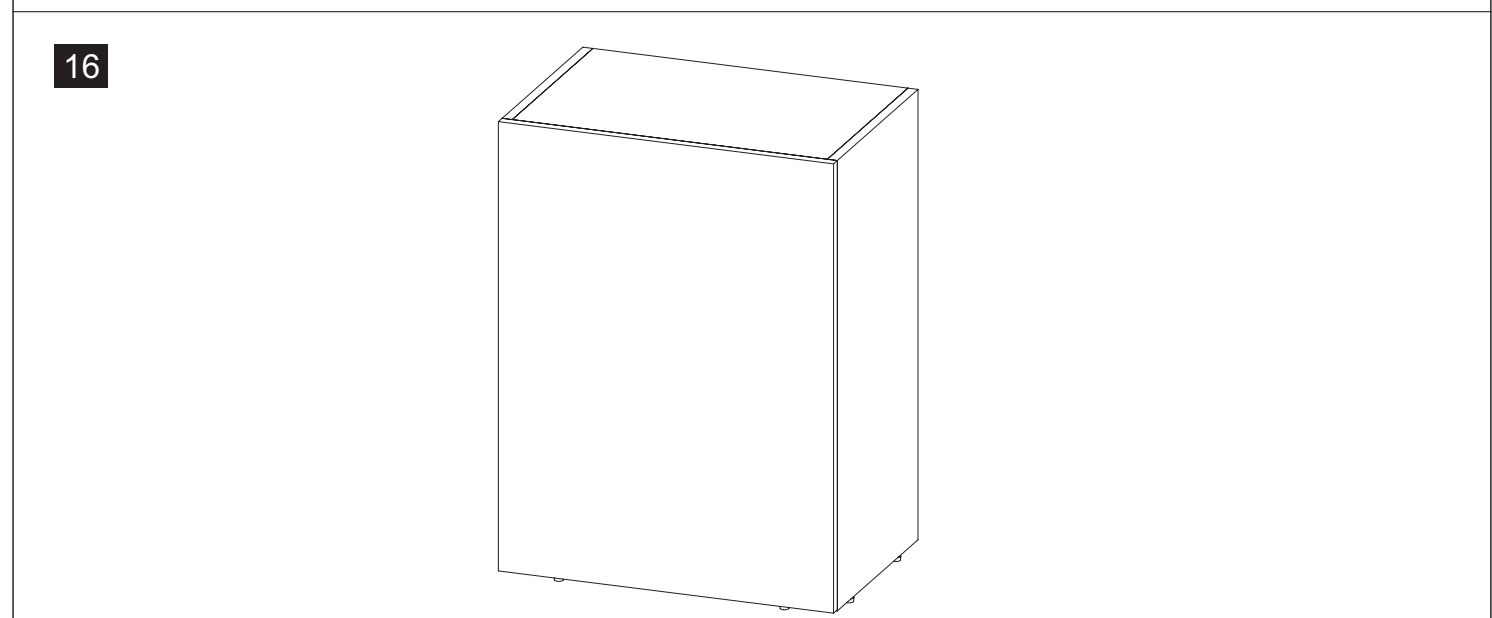
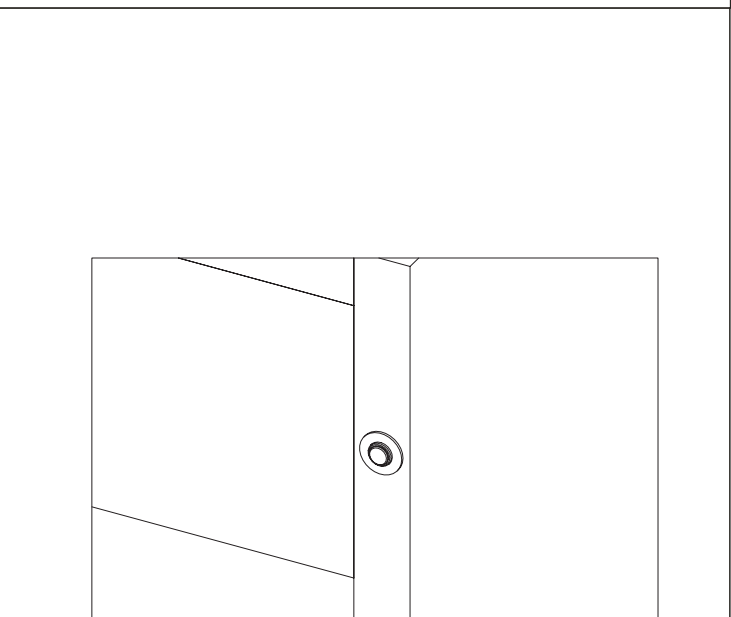
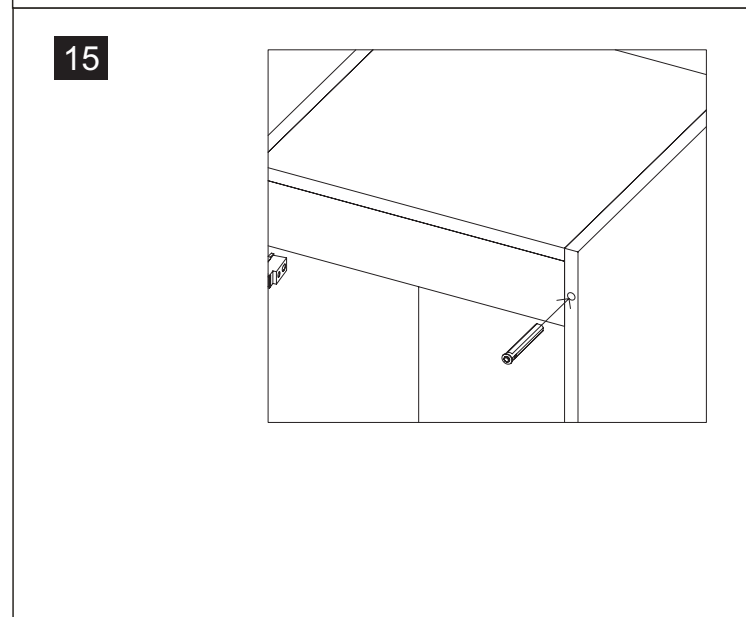
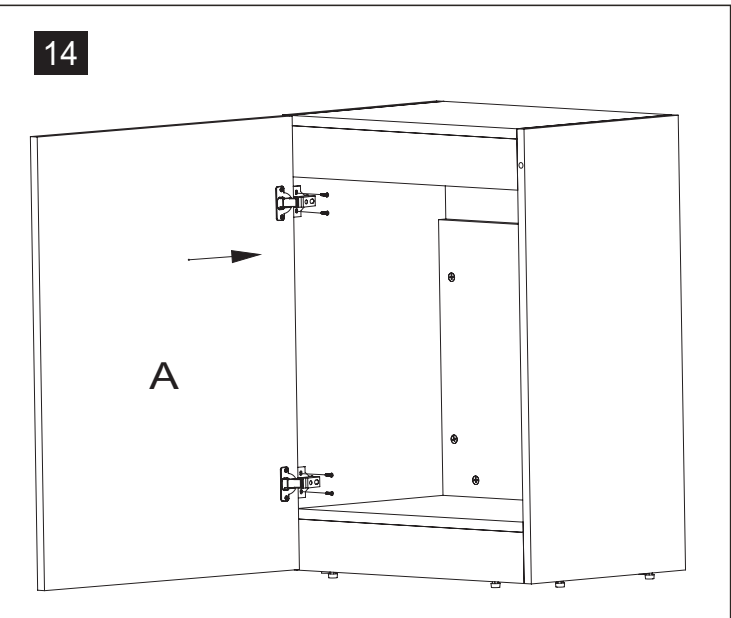
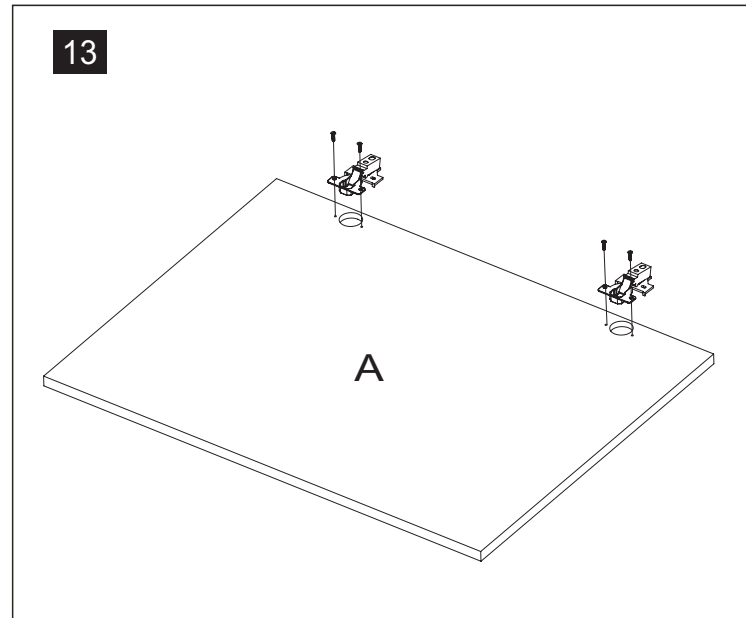
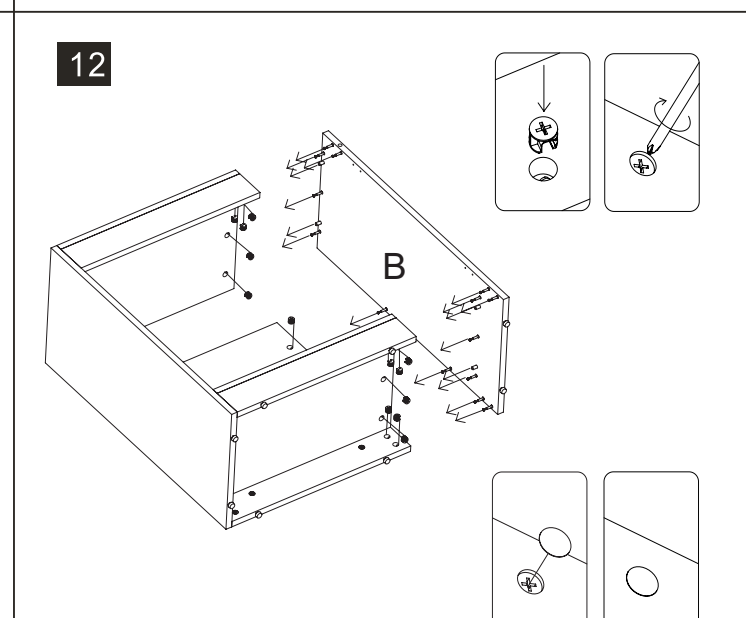
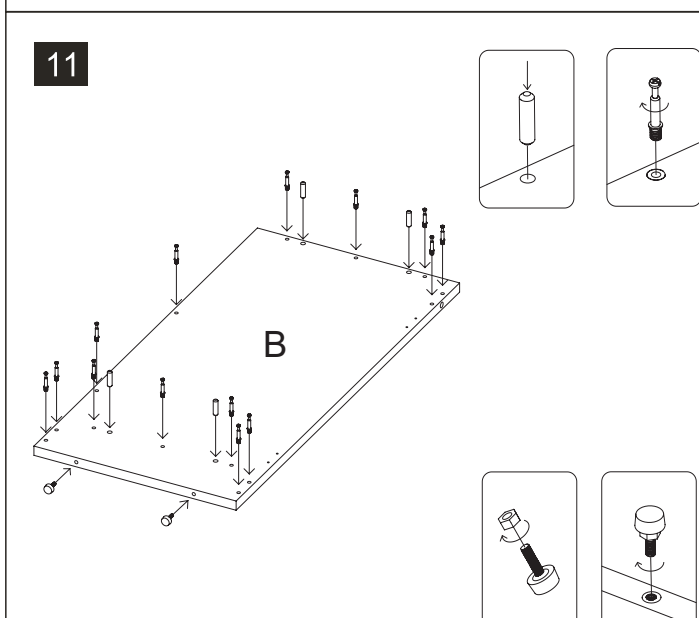
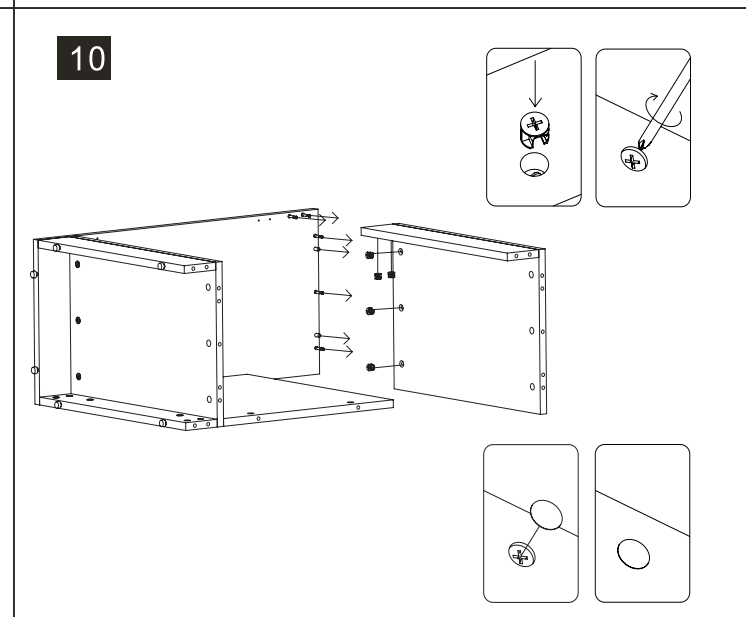
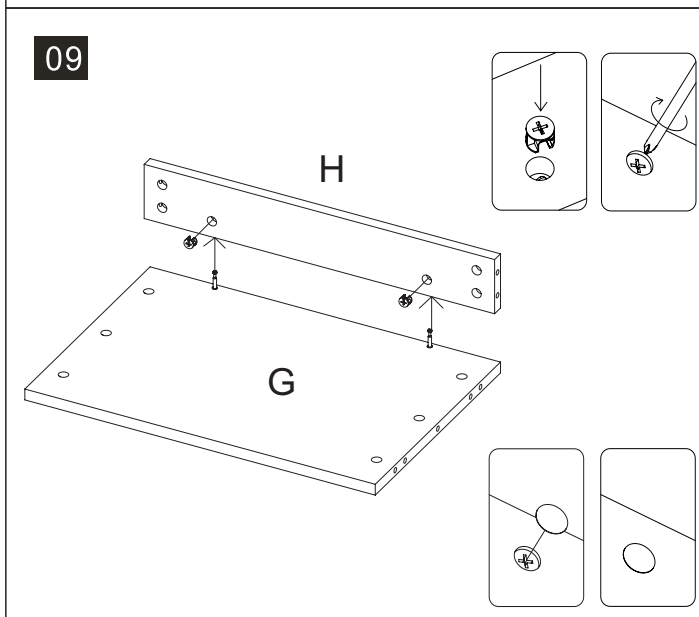
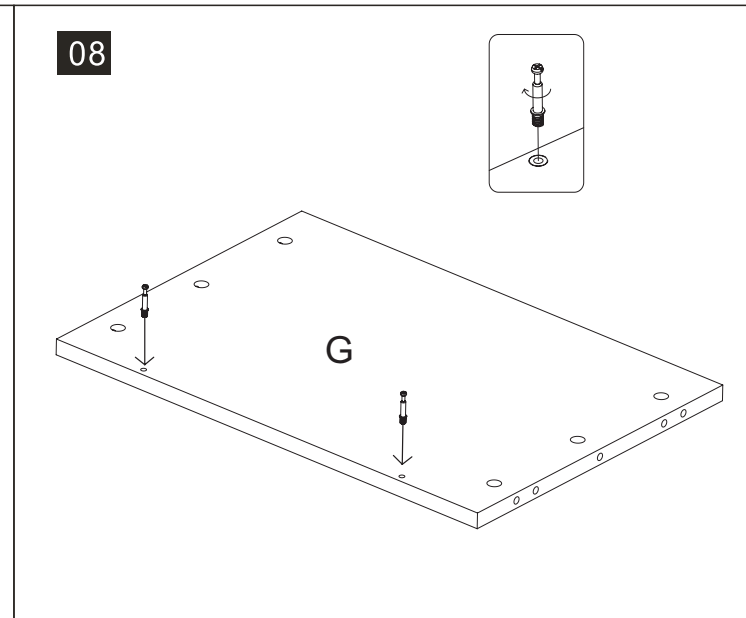
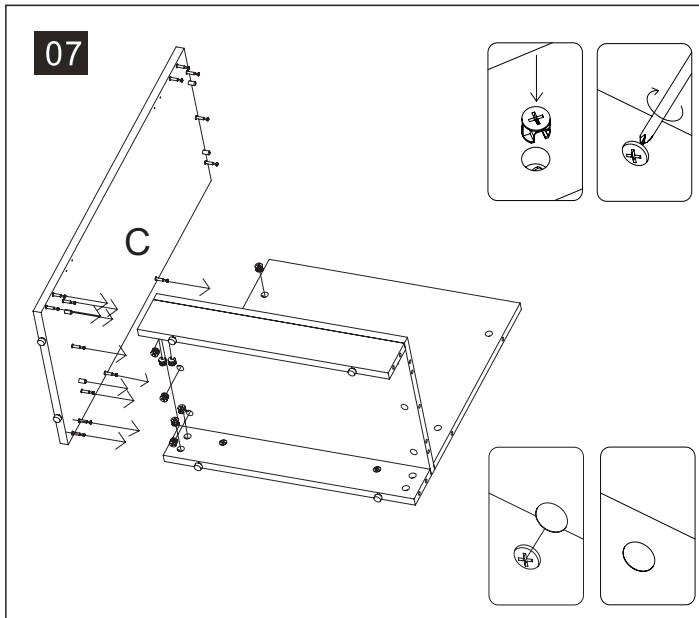


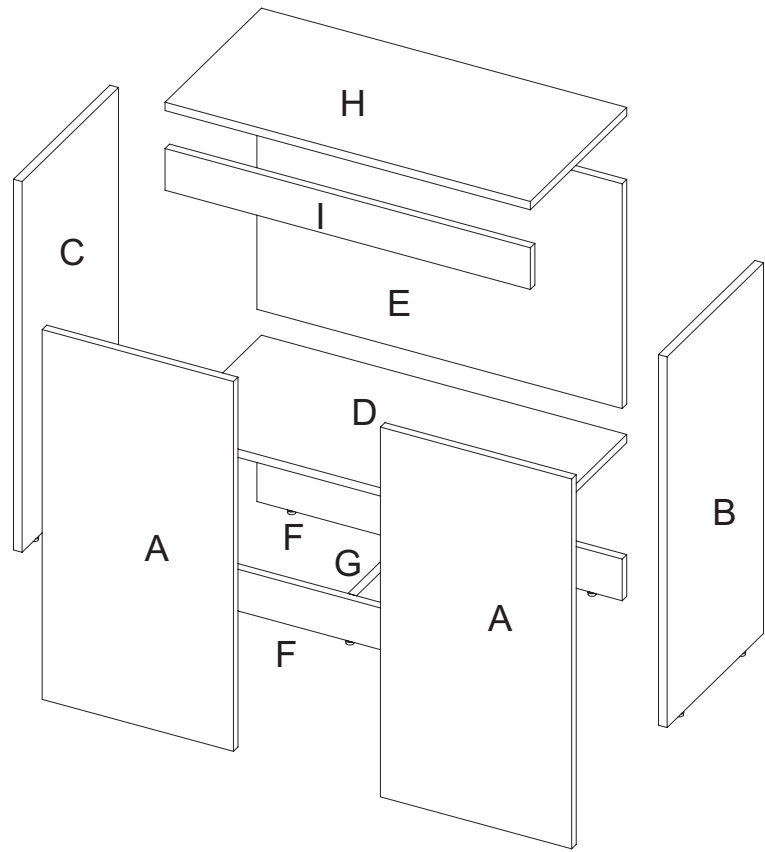
05



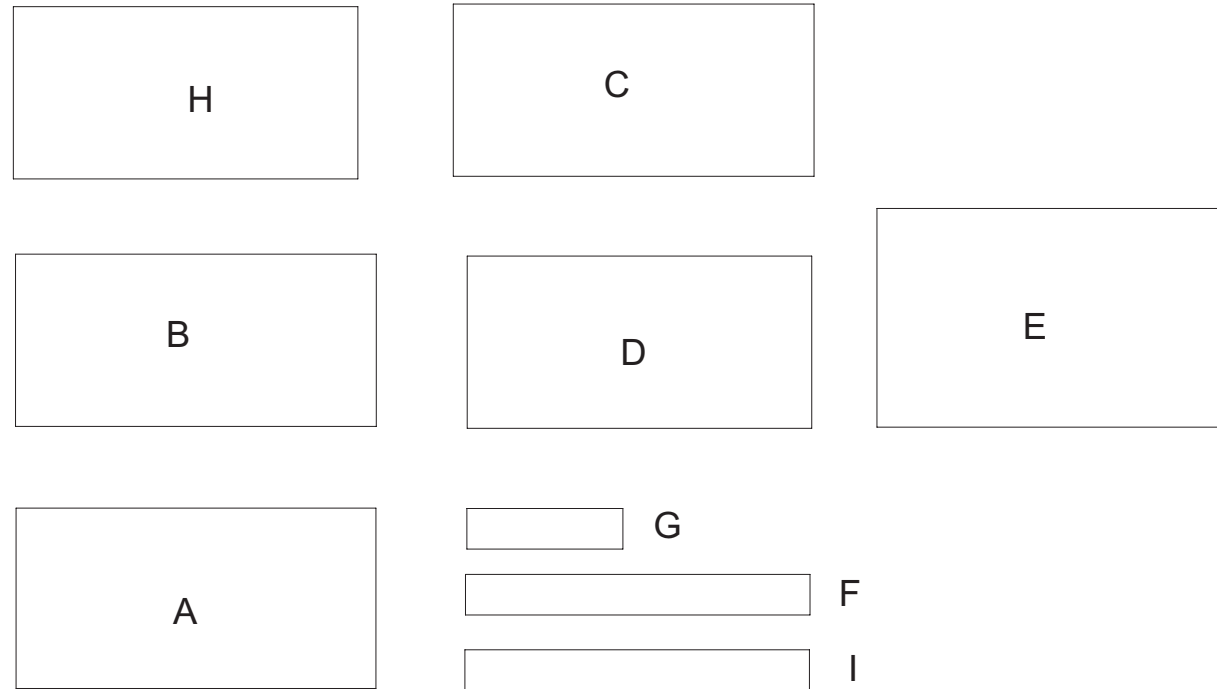
06







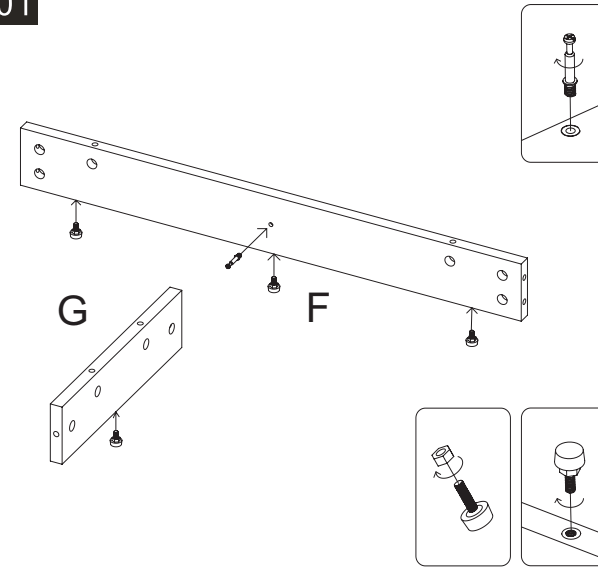
	Code	Name	QTY	Spare
	C1201(White) C1202(Black)	Leveling Foot	11	2
	C1001	Door Hinge	6	
	C1401(White) C1402(Black) C1403(Aspen)	PVC Sticker	40	10
	C1101	Rebound Kit	2	
	C1301	Furniture Connect Bolt	8	5
	C1301		40	5
	C1301		40	5



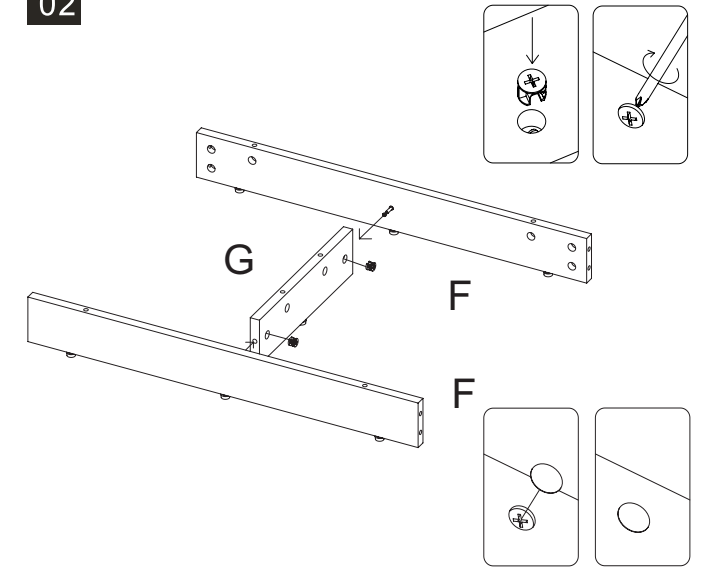
S/N	Name	QTY
A	Cabinet Door	2
B	Cabinet Side Right	1
C	Cabinet Side Left	1
D	Cabinet Bottom	1
E	Cabinet Rear	1
F	Cabinet Front Lower	2

S/N	Name	QTY
G	Cabinet Internal Wall	1
H	Cabinet Top	1
I	Cabinet Front Upper	1

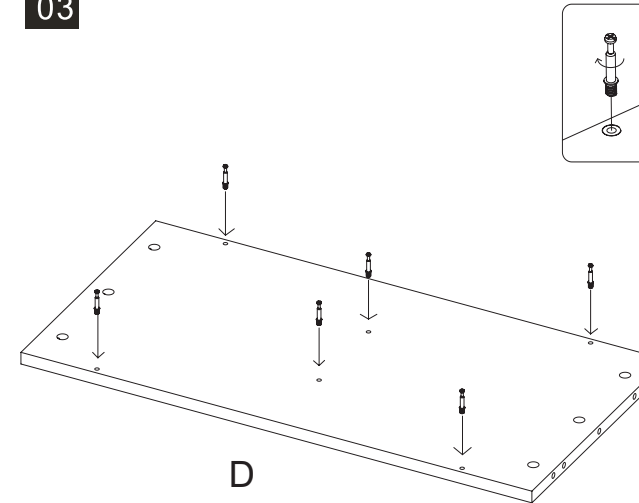
01



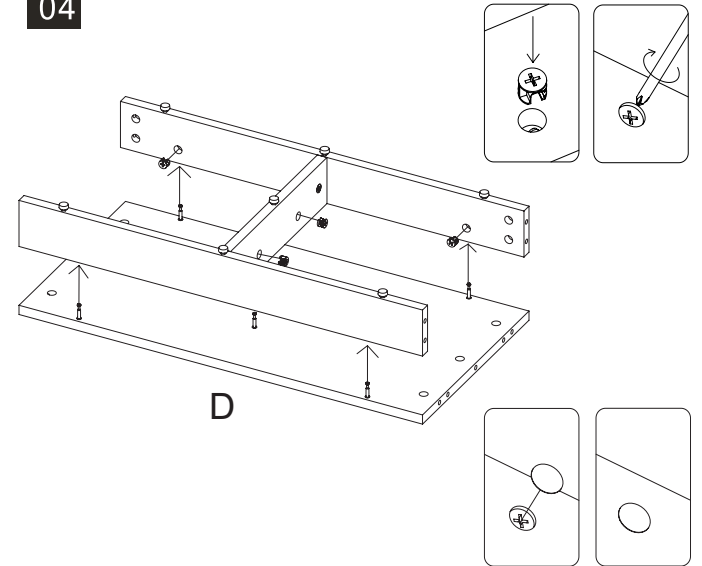
02



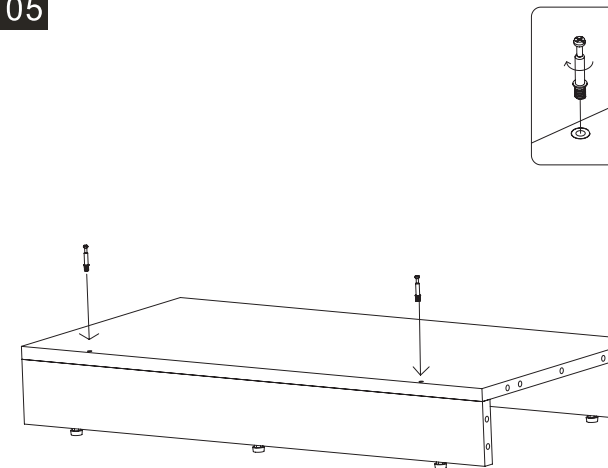
03



04



05



06

