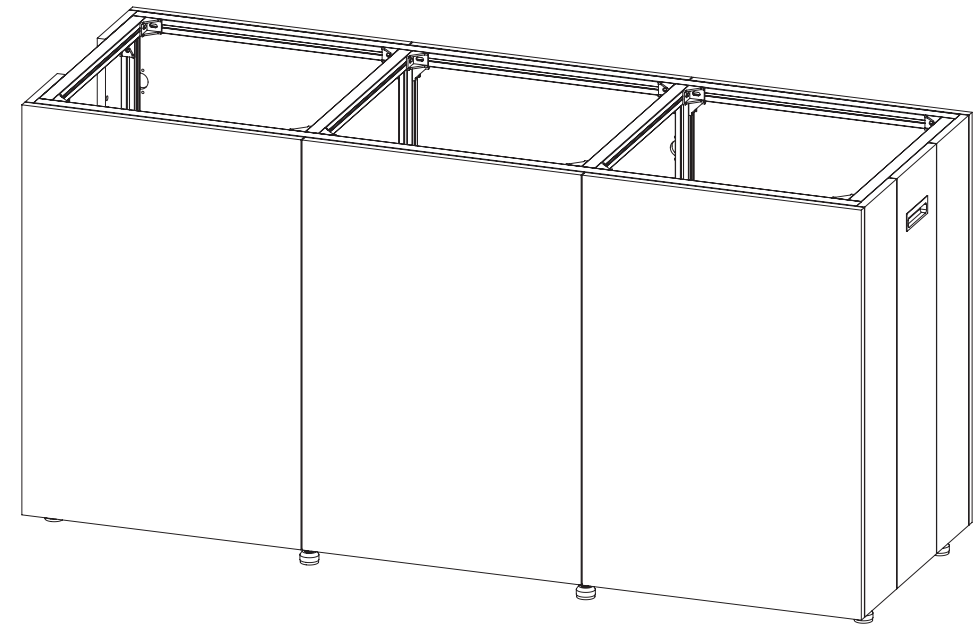


WATERBOX[®]
A Q U A R I U M S

WATERBOX[®]
A Q U A R I U M S

SuperALU[®]
Aquarium Cabinet
ALP 4820/6025/7225



Cabinet Assembly Manual

WB-ALP-7501

Waterbox Aquariums USA
320.W.Sabal Palm Place
Longwood, FL 32779
www.waterboxaquariums.com

USA: +1 800-674-2608
Canada: +1 437 888 2612
Europe: +31 20 808 3685
UK: +44 1784 614175



CONTENT

MY WATERBOX

Tank Model _____ Tank Lot # _____

Cabinet Model _____ Cabinet Lot # _____

Purchase Date _____

Sellers _____

Address _____

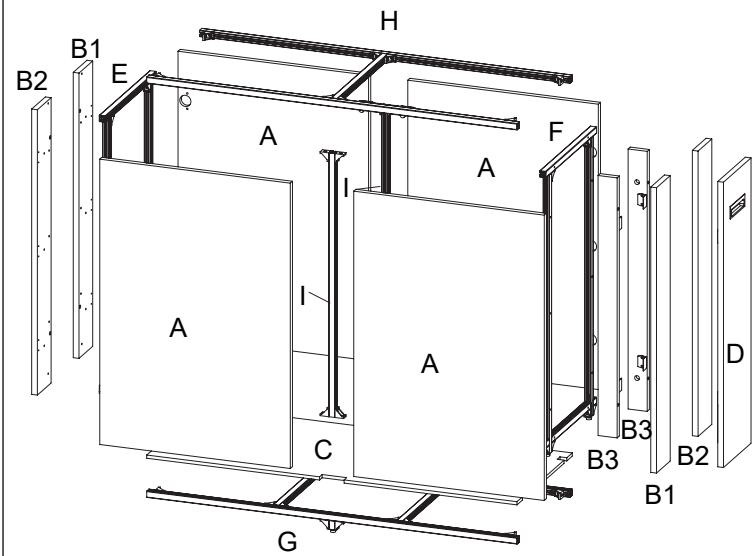
TEL/Mobile _____

◆ Aquarium Cabinet

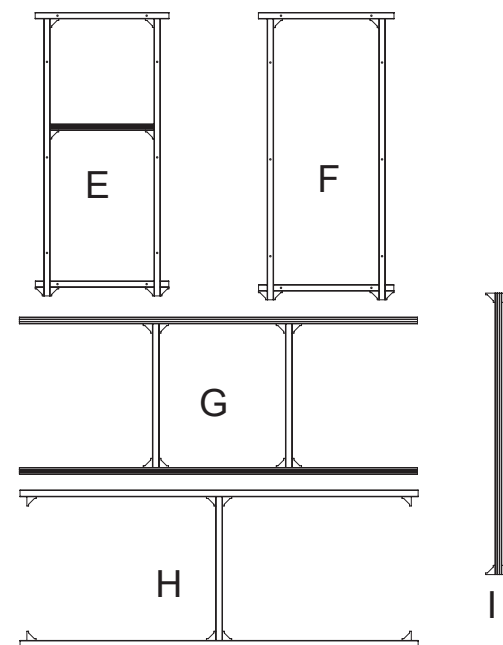
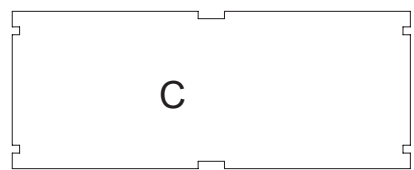
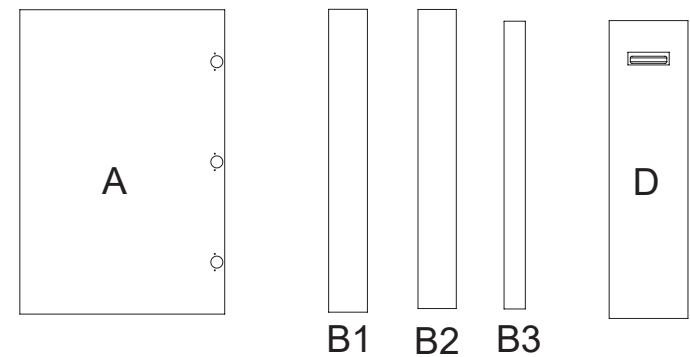
● ALP 4820 _____ P1 ●

● ALP 6025 _____ P9 ●

● ALP 7225 _____ P17 ●



	Code	Name	QTY	Spare
	C1205	Leveling Foot	6	
	C1601	Rebound Kit	4	
	C1011	Door Hinge	12	
	C1004	Screw M4x14 for Door Hinge	48	4
	C1002	Screw M3.5x16 for Rebound Kit	8	2
	C1411	Screw M4x25 for Side Panel	20	4
	C2100	Black Magnet I	4	
	C2101	Screw M3.5x10 for Black Magnet I	8	2
	C2102	Black Magnet II	4	
	C2103	Screw M4x8 for Black Magnet II	8	2
	C1301	Furniture Connect Bolt	4	2
	C1401(White) C1402(Black) C1403(Aspen)	PVC Sticker	4	4
	C1501	Screw with Nut	16	4
	C1801	Spanner		1
	C1701	Silicone Pad(Clear)	8	2
	C2001	Logo		1

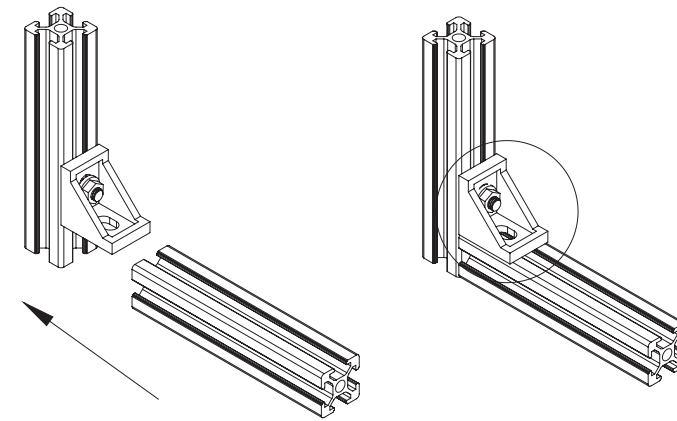


S/N	Name	QTY
A	Cabinet Door	4
B1	Side Panel I	2
B2	Side Panel II	2
B3	Side Panel III	2
C	Bottom Panel	1
D	Removable Side Door	1

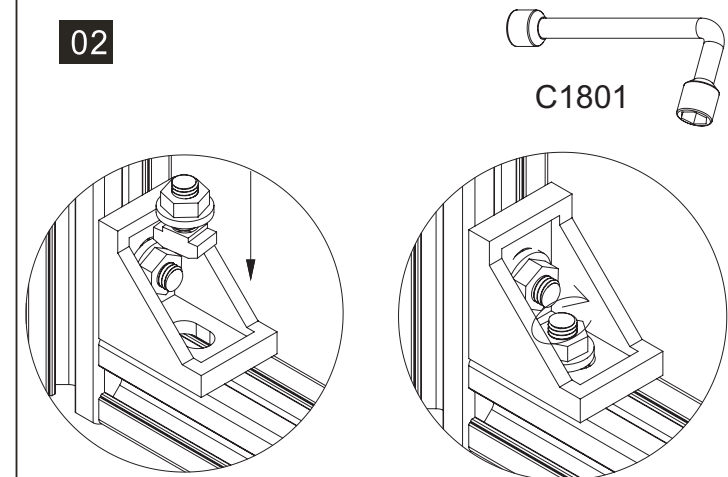
S/N	Name	QTY
E	Cabinet Left Beam	1
F	Cabinet Right Beam	1
G	Cabinet Lower Beam	1
H	Cabinet Upper Beam	1
I	Cabinet Middle Beam	2

Hardware Installation Instructions

01



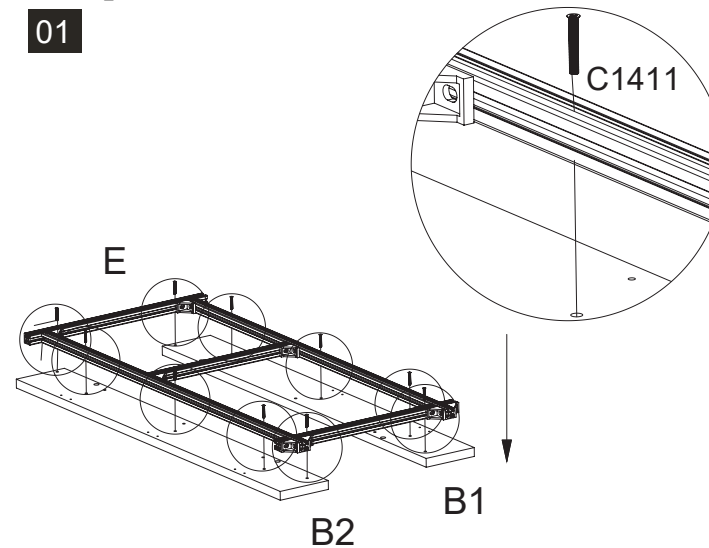
02



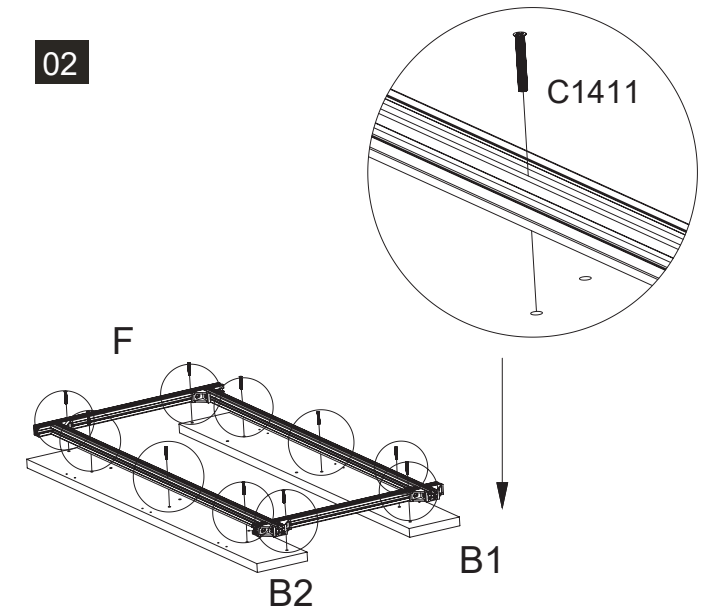
NOTE:
The screw with the nut must be tightened in a perpendicular orientation to the track in the frame.

7 U]bYh Installation Instructions

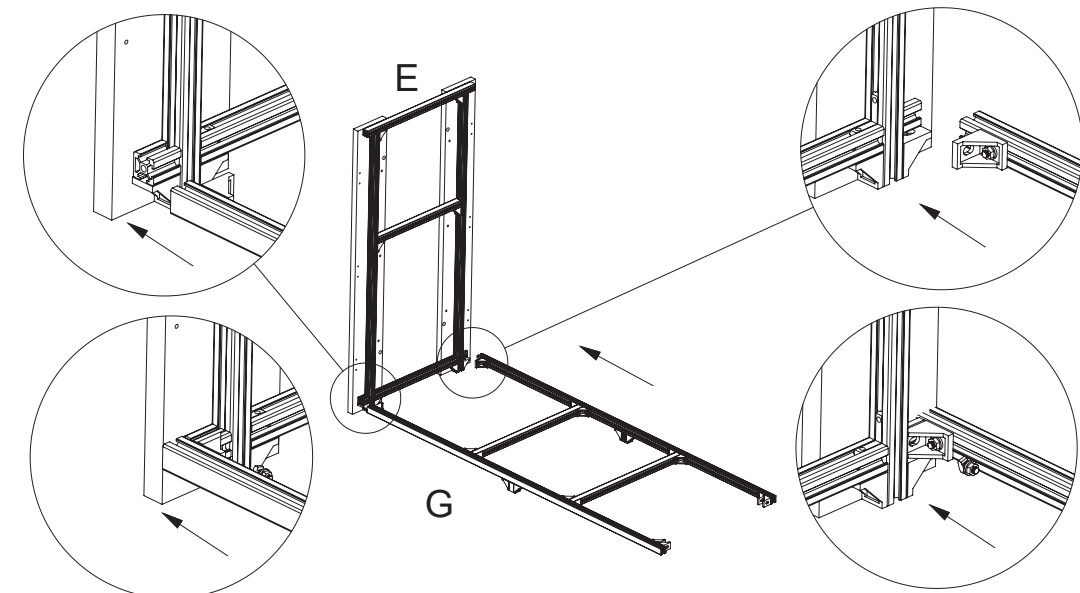
01



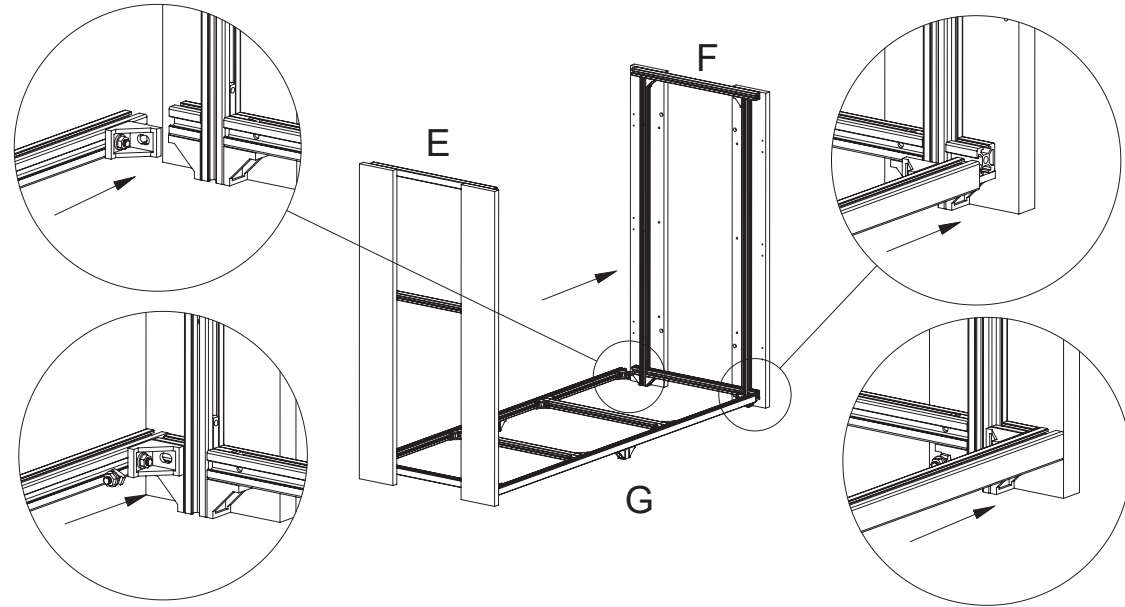
02



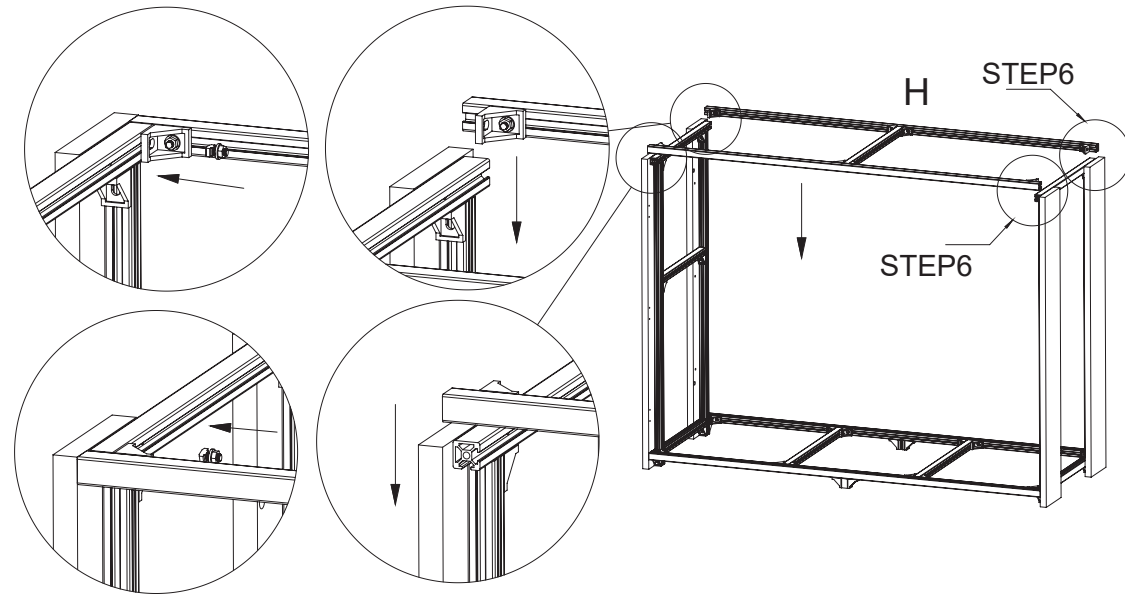
03



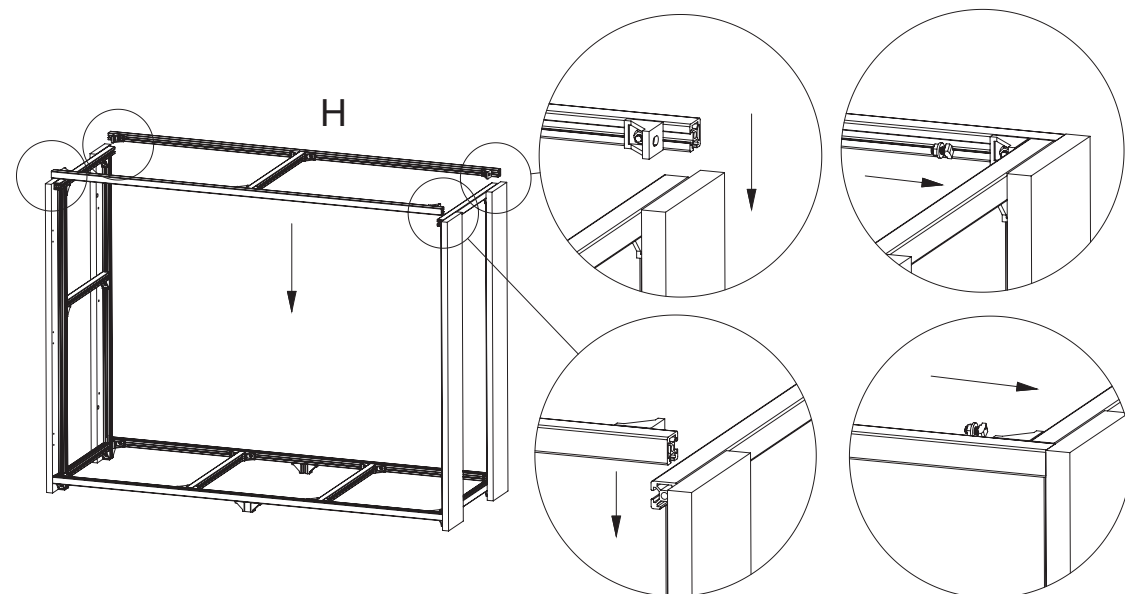
04



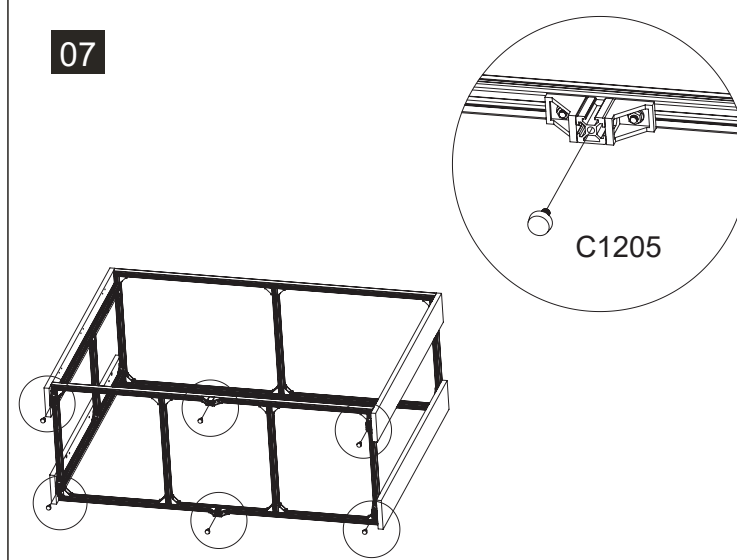
05



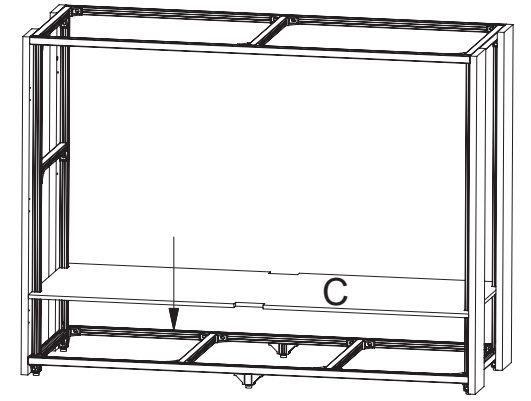
06



07



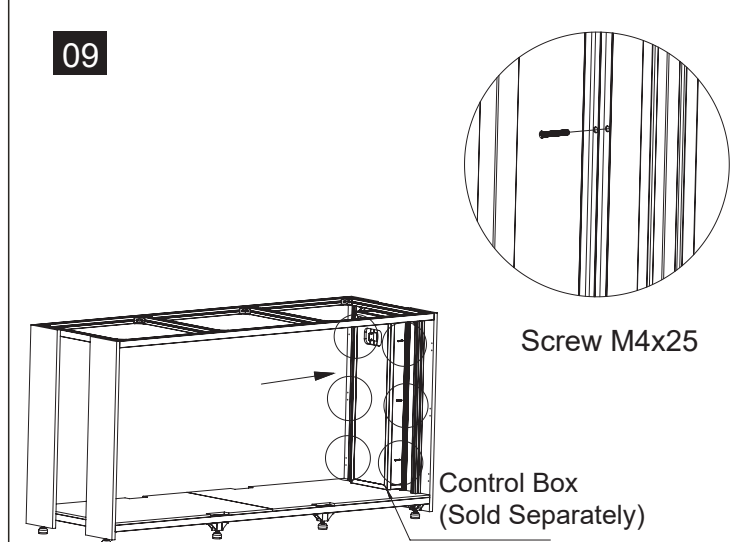
08



STEP09-12 with Control Box (Sold Separately)

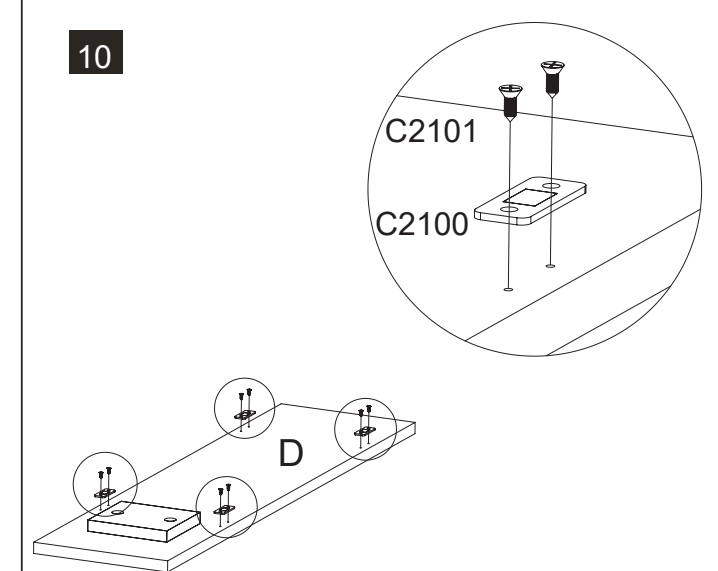
STEP13-17 w/o Control Box (Sold Separately)

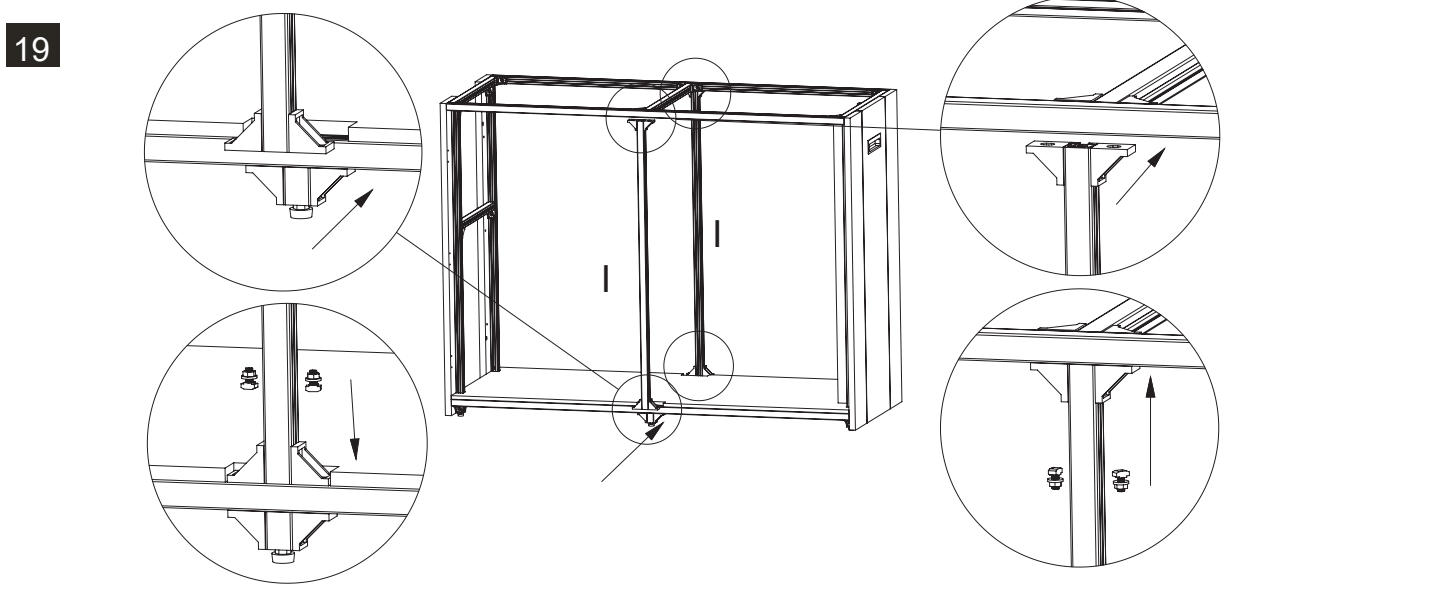
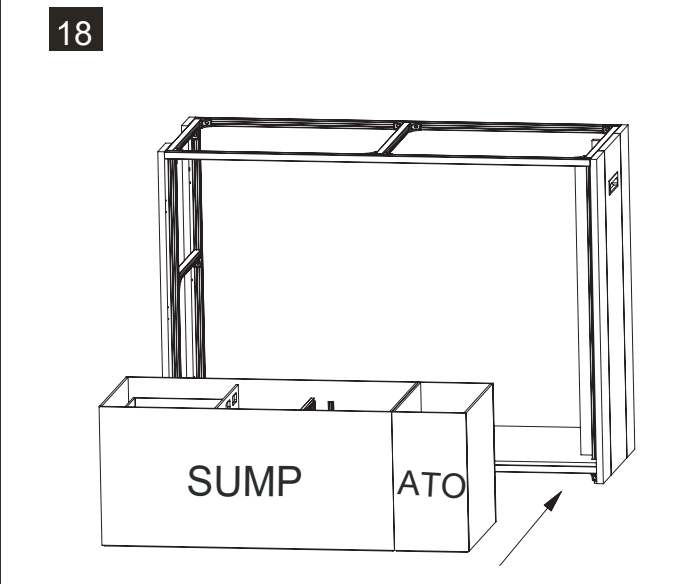
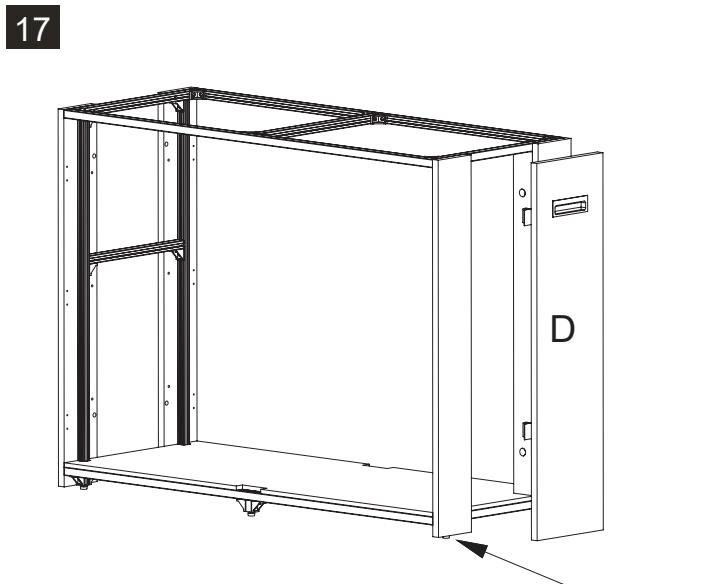
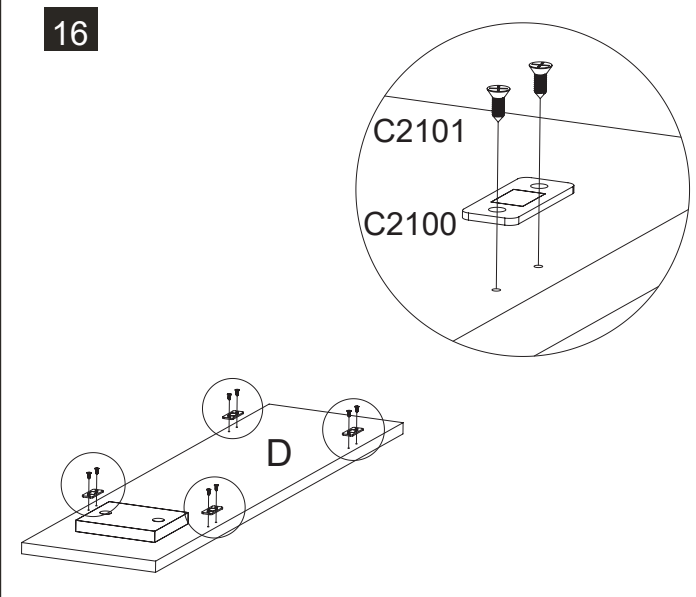
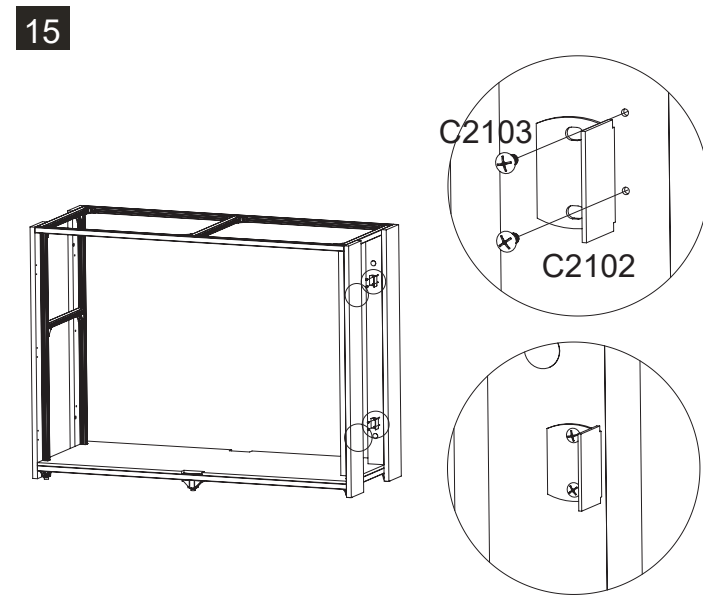
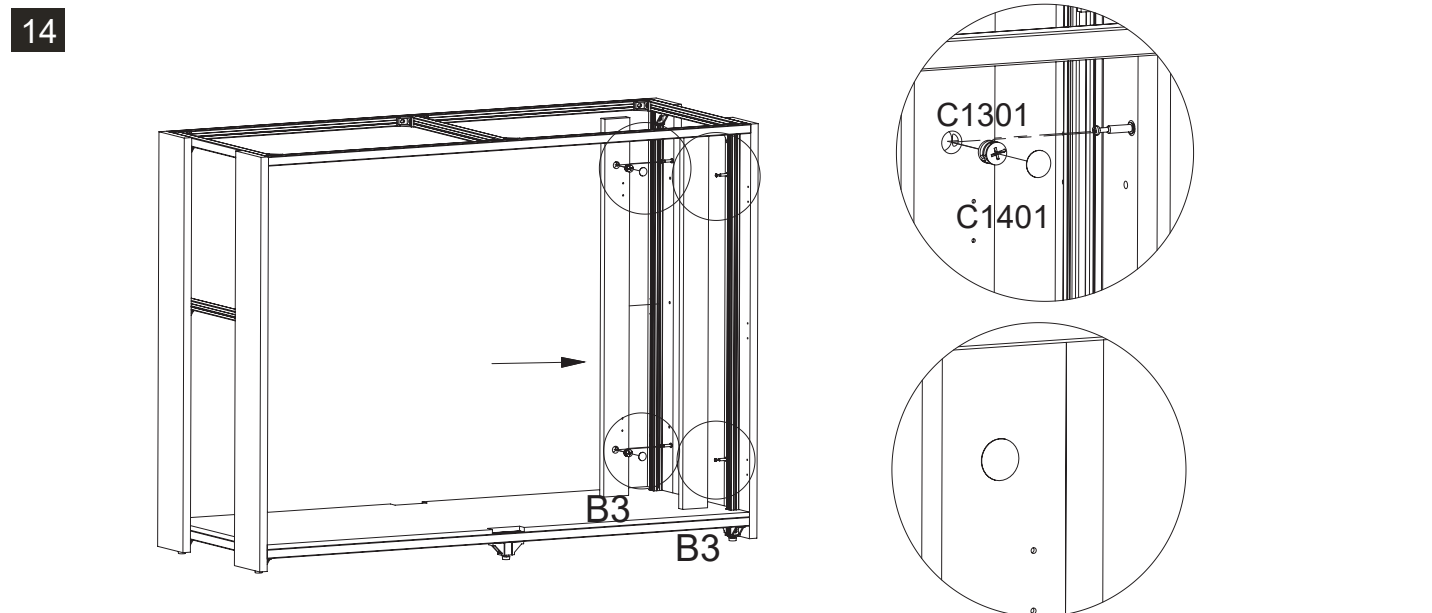
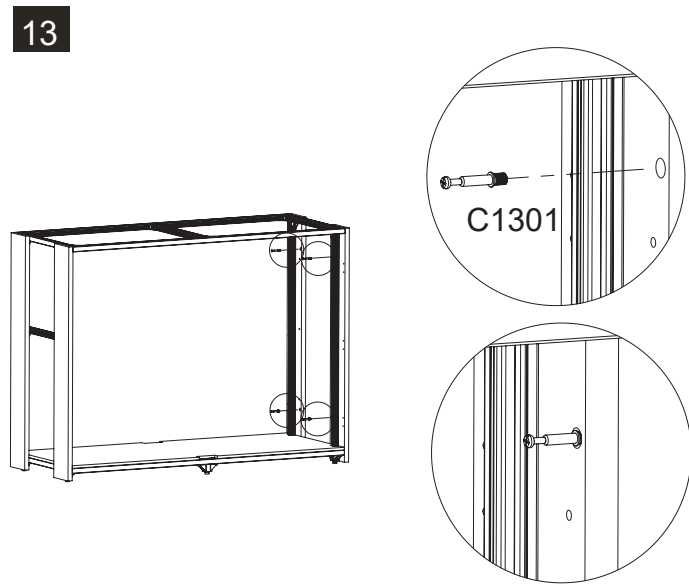
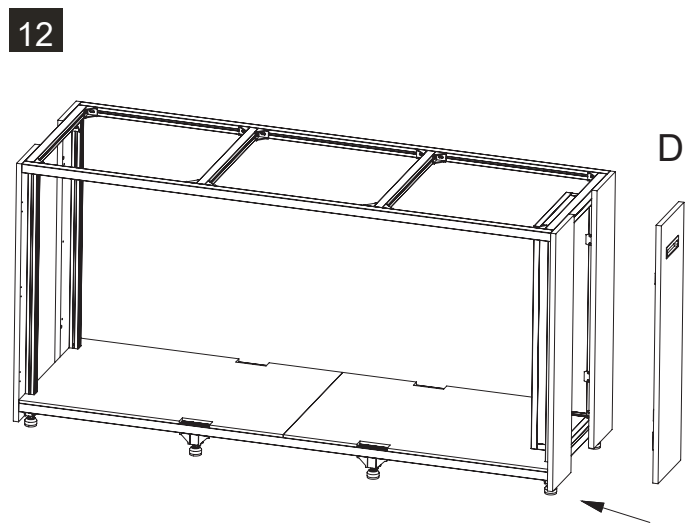
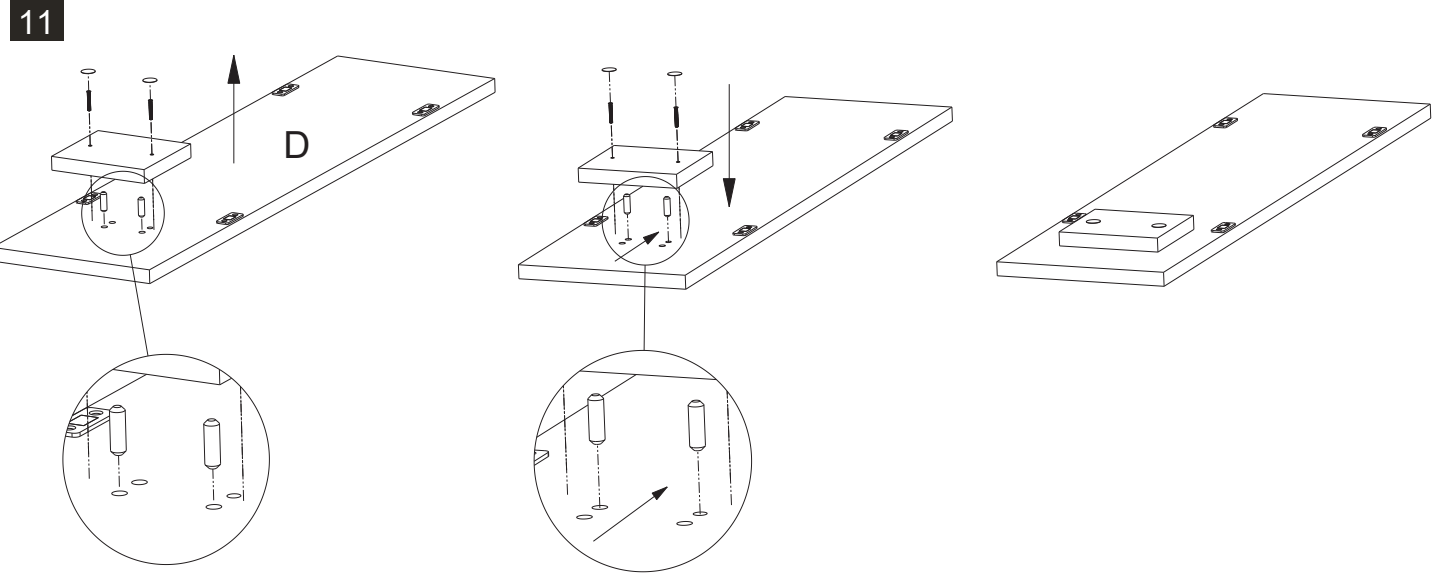
09



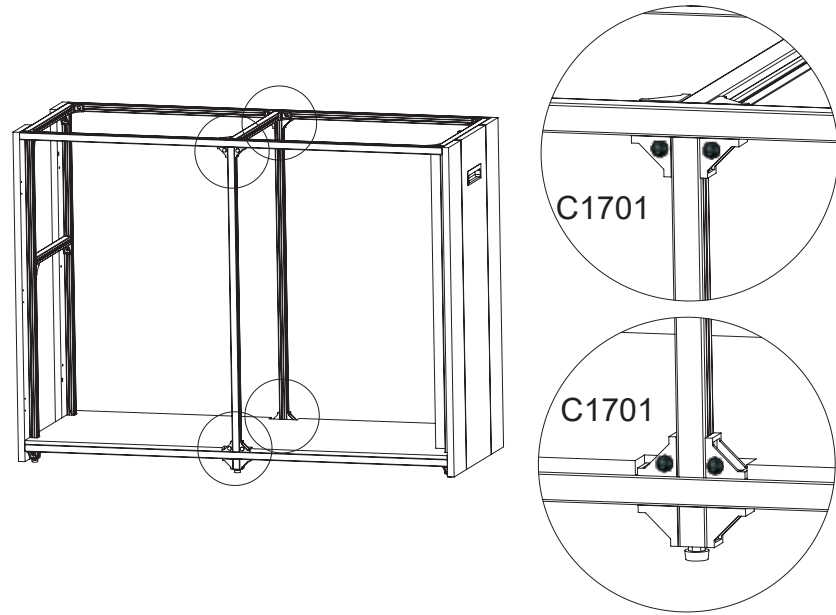
Control Box
(Sold Separately)

10

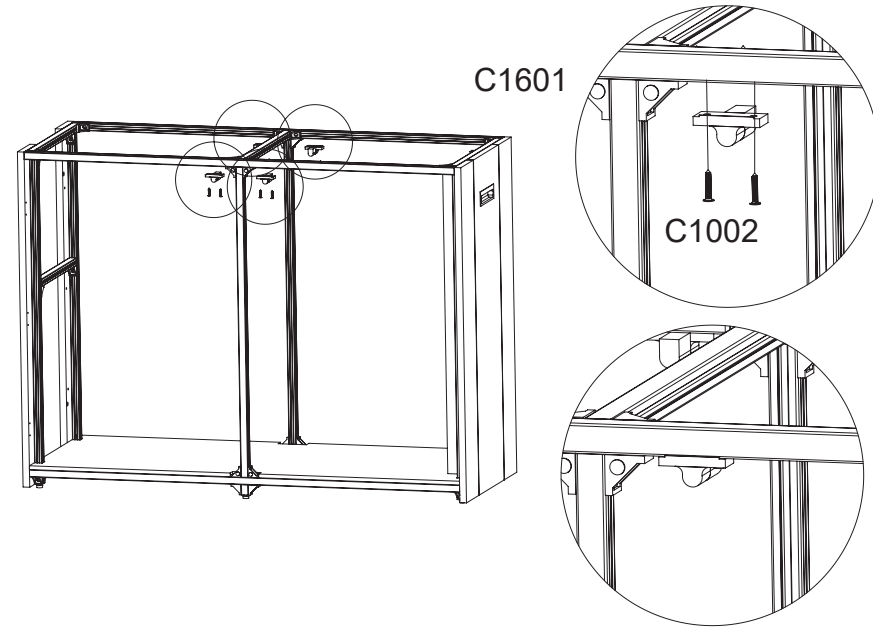




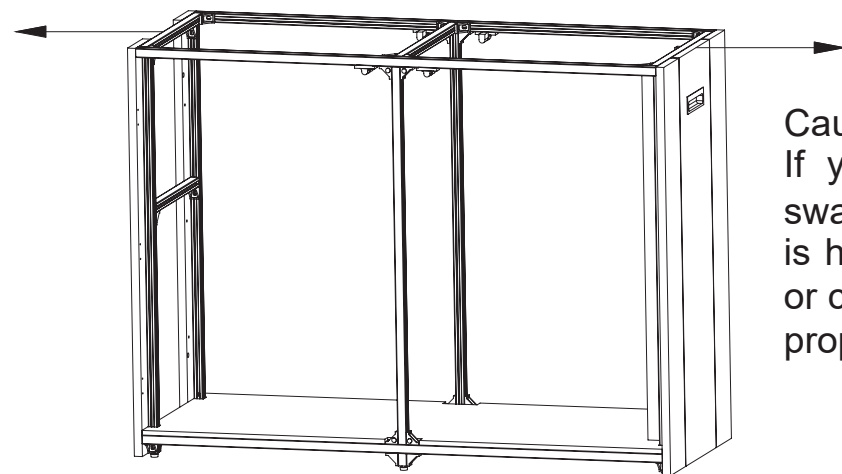
20



21

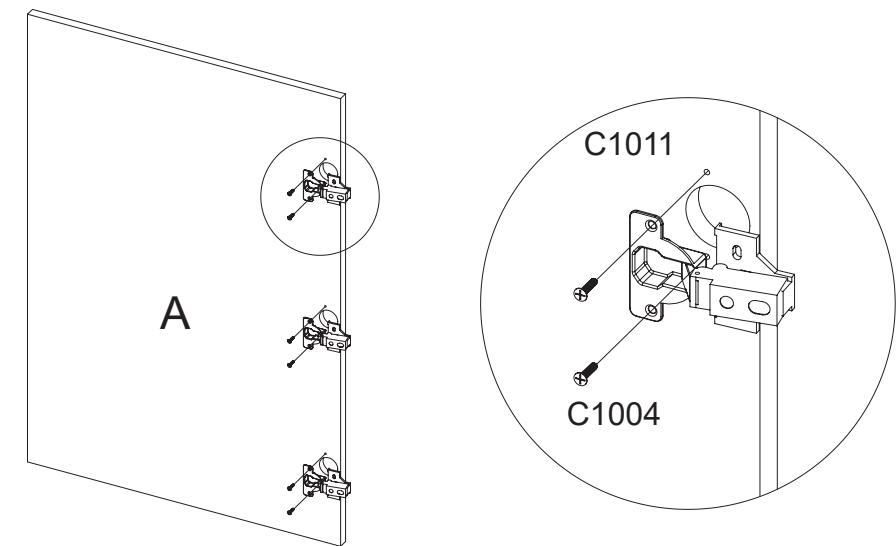


22

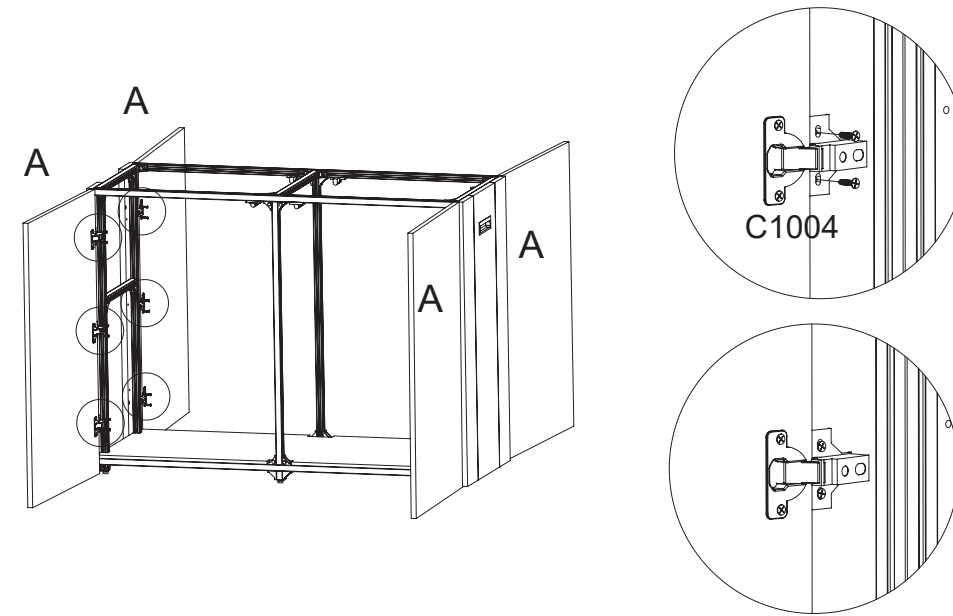


Caution:
If your cabinet has any side-to-side sway, do not proceed further. There is hardware that is not tightened fully, or corner bracket screws are not in the proper orientation.

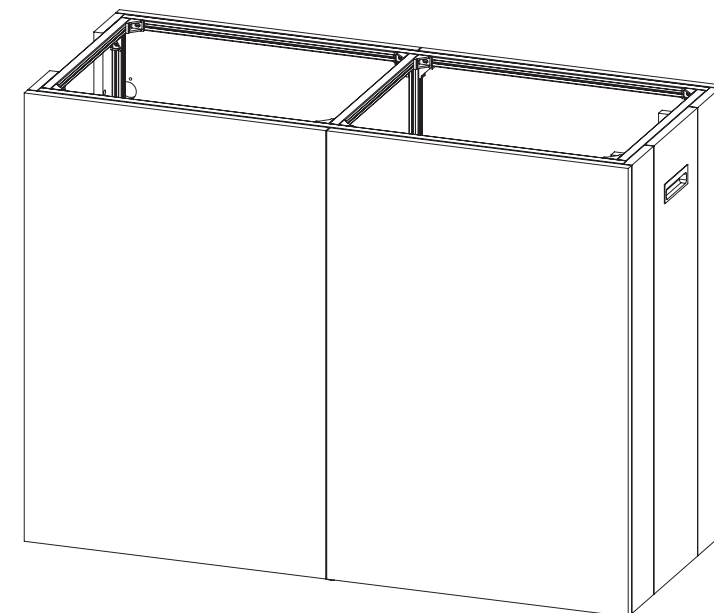
23

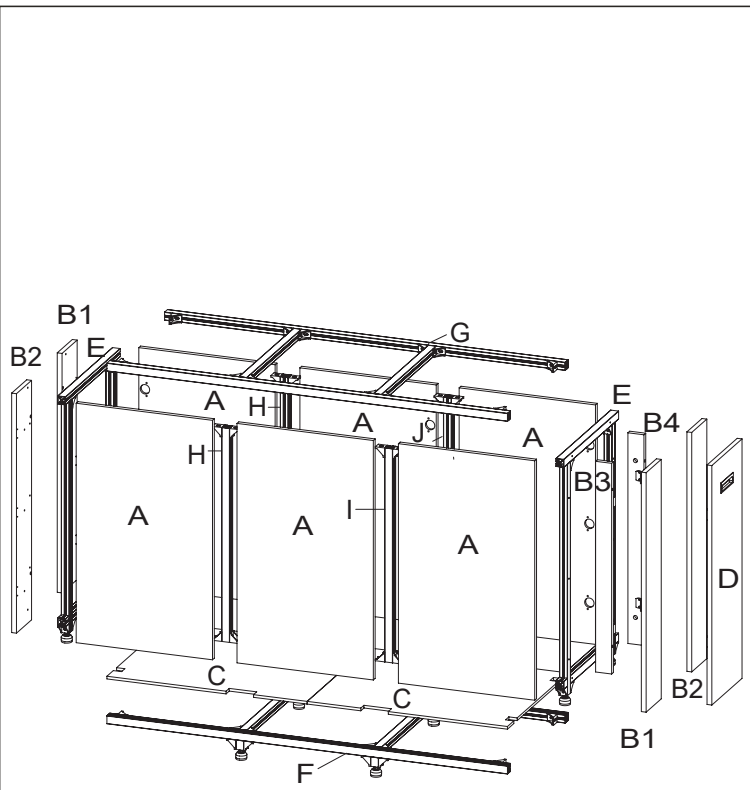


24

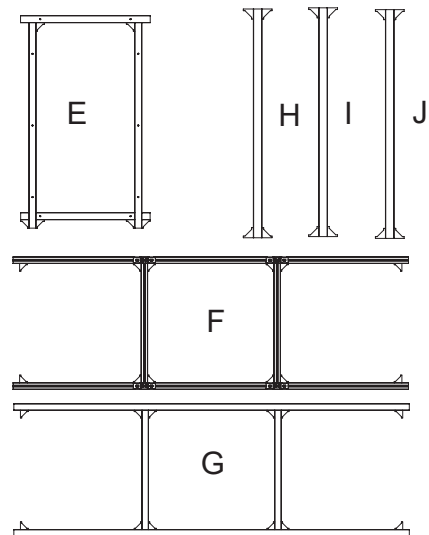
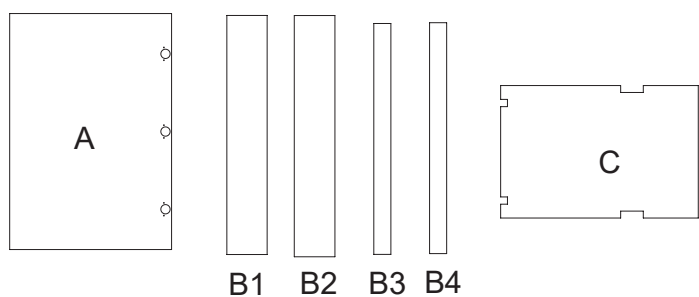


25





	Code	Name	QTY	Spare
	C1203	Leveling Foot	8	
	C1601	Rebound Kit	6	
	C1602	Screw M3.5x20 for Rebound Kit	12	
	C1011	Door Hinge	18	
	C1004	Screw M4x14 for Door Hinge	60	4
	C1003	Screw M4x10 for Door Hinge	12	2
	C1412	Screw M4x30 for Side Panel	20	2
	C2100	Black Magnet I	4	
	C2101	Screw M3.5x10 for Black Magnet I	8	2
	C2102	Black Magnet II	4	
	C2103	Screw M4x8 for Black Magnet II	8	2
	C1301	Furniture Connect Bolt	4	2
			4	2
	C1401(White) C1402(Black)	PVC Sticker	4	4
	C1503	Screw with Nut	24	4
	C1801	Spanner		1
	C1701	Silicone Pad(Clear)	12	2
	C2001	Logo		1

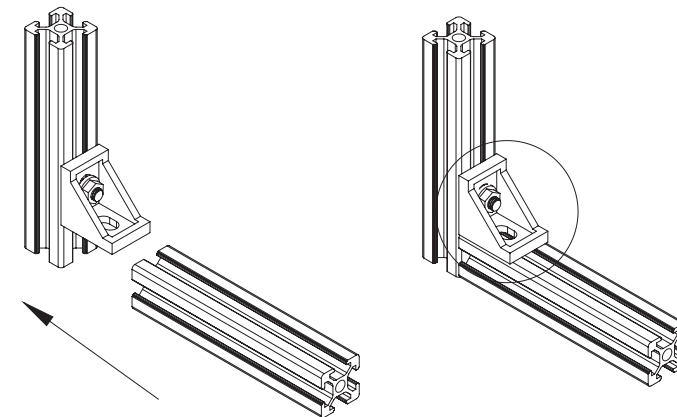


S/N	Name	QTY
A	Cabinet Door	6
B1	Side Panel I	2
B2	Side Panel II	2
B3	Side Panel III	1
B4	Side Panel IV	1
C	Bottom Panel	2
D	Removable Side Door	1

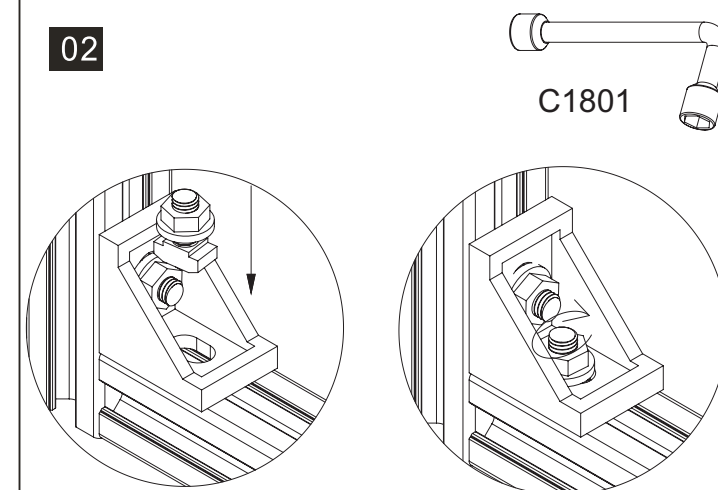
S/N	Name	QTY
E	Cabinet Side Beam	2
F	Cabinet Lower Beam	1
G	Cabinet Upper Beam	1
H	Cabinet Middle Beam I	2
I	Cabinet Middle Beam II	1
J	Cabinet Middle Beam III	1

Hardware Installation Instructions

01



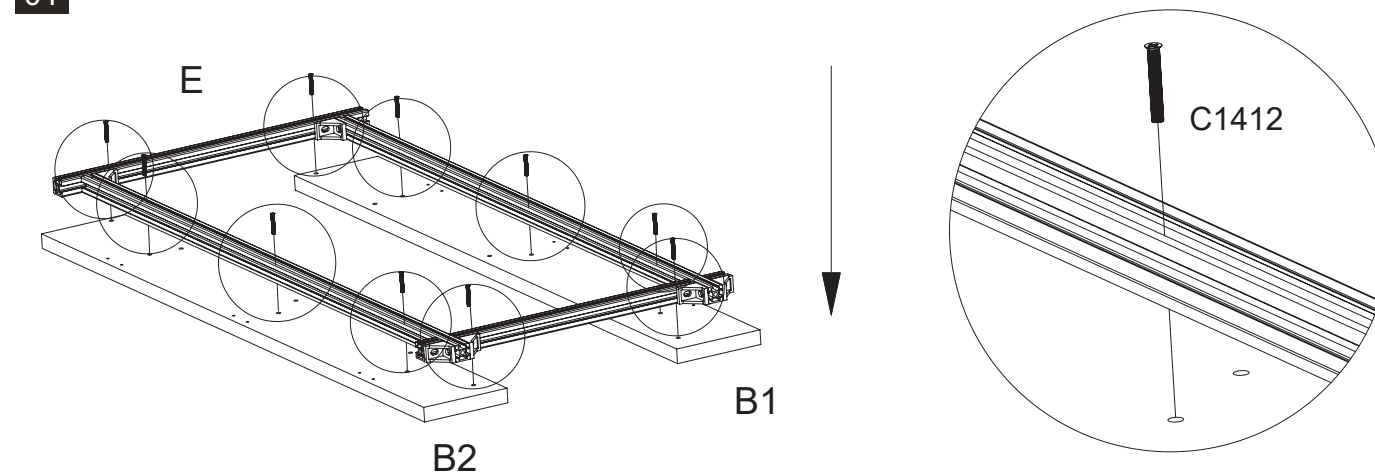
02



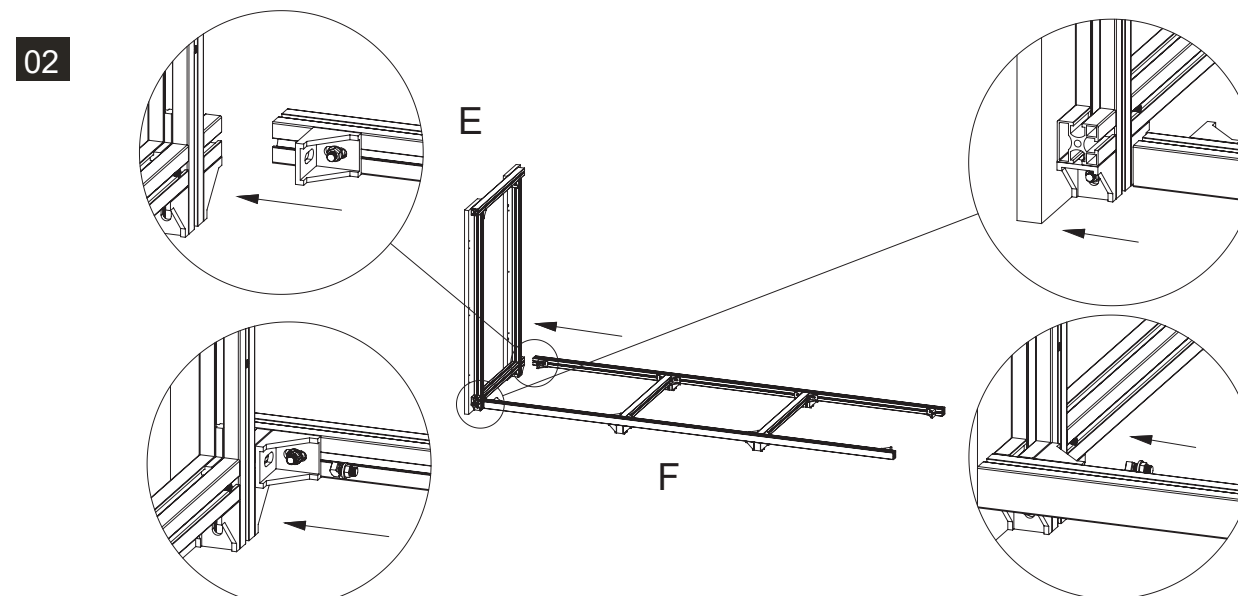
NOTE:
The screw with the nut must be tightened in a perpendicular orientation to the track in the frame.

Cabinet Installation Instructions

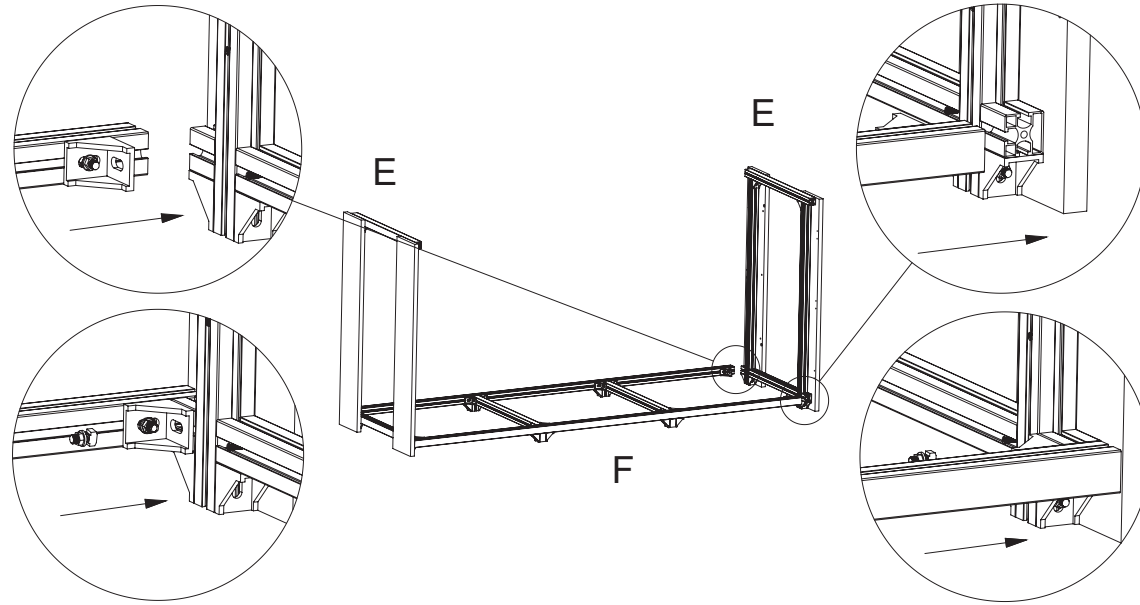
01



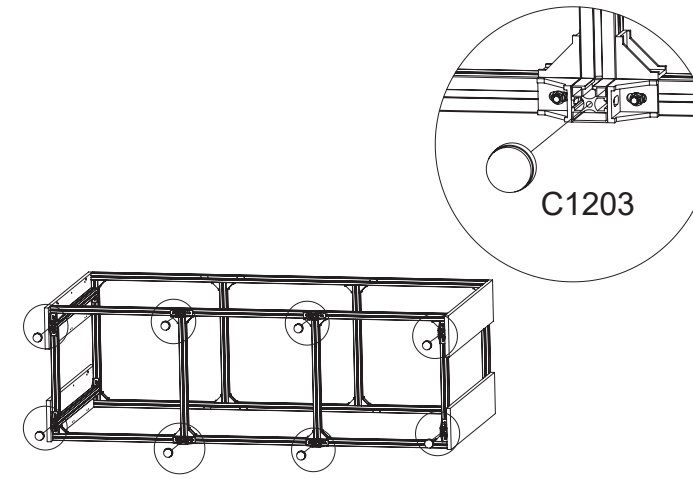
02



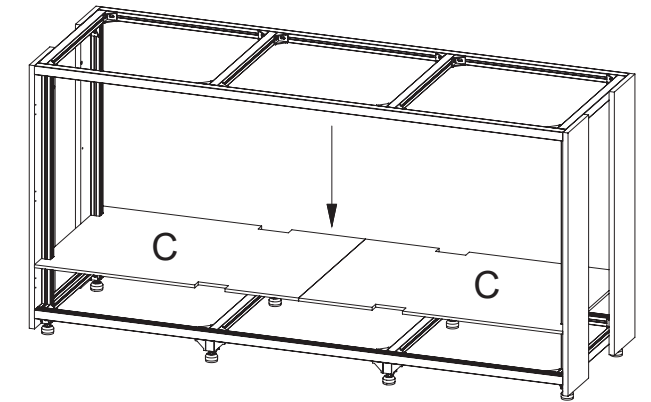
03



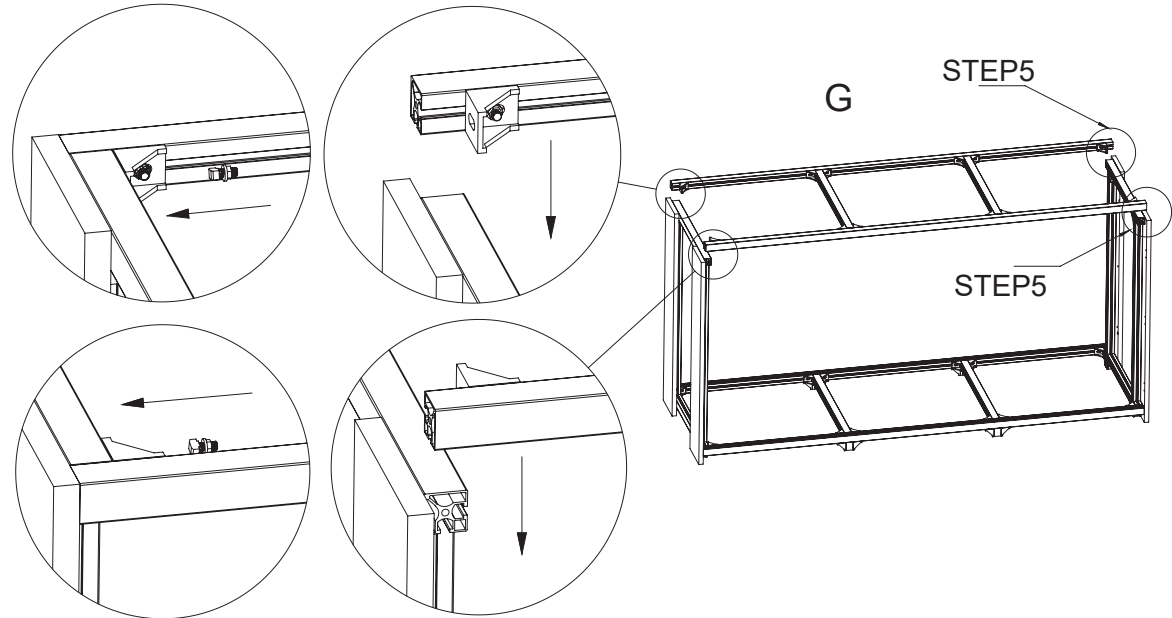
06



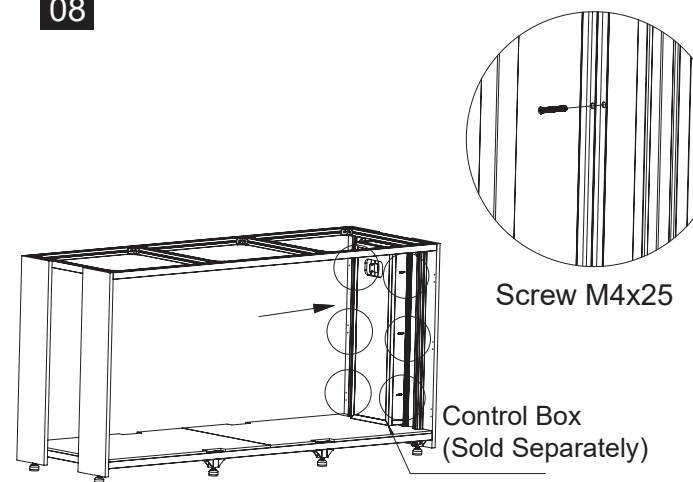
07



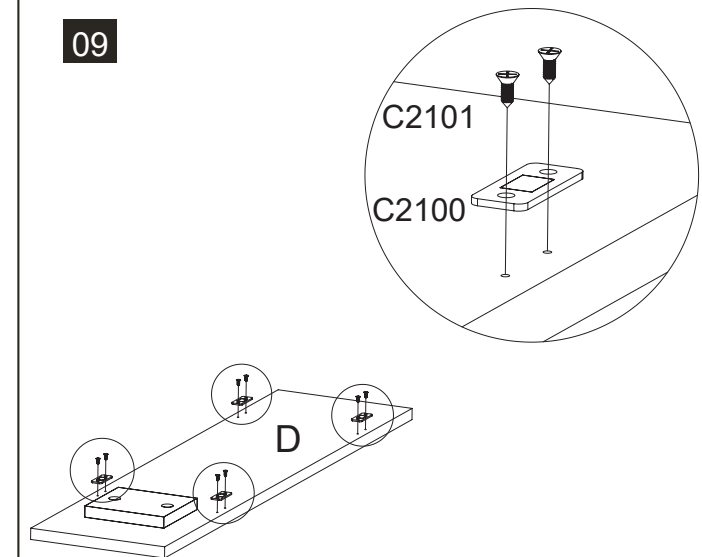
04



08

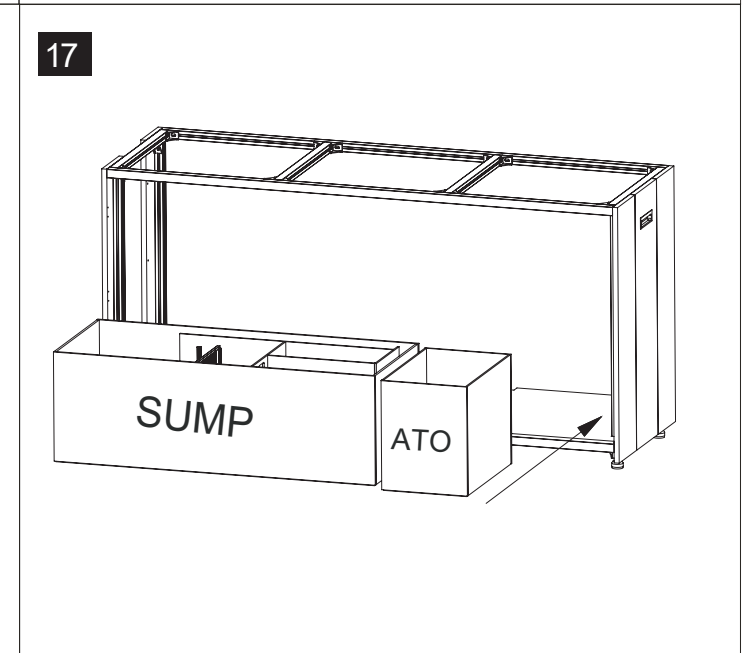
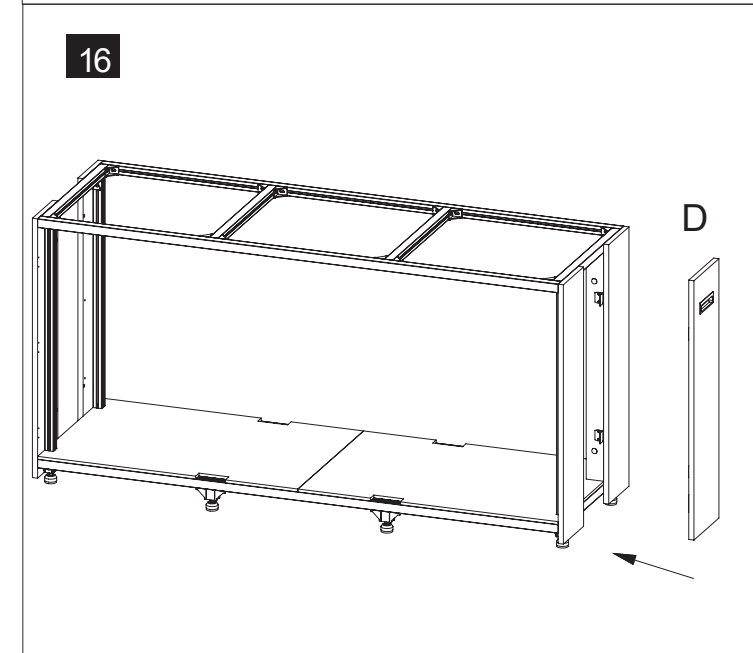
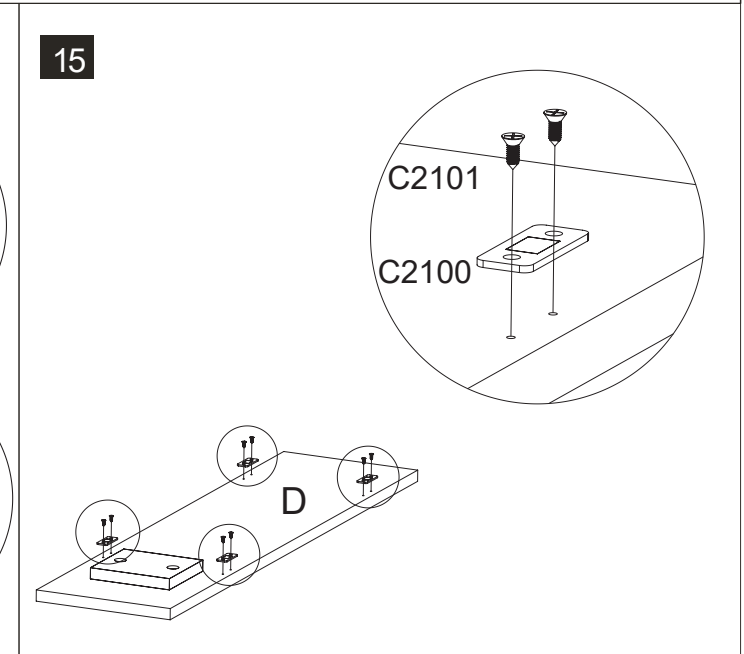
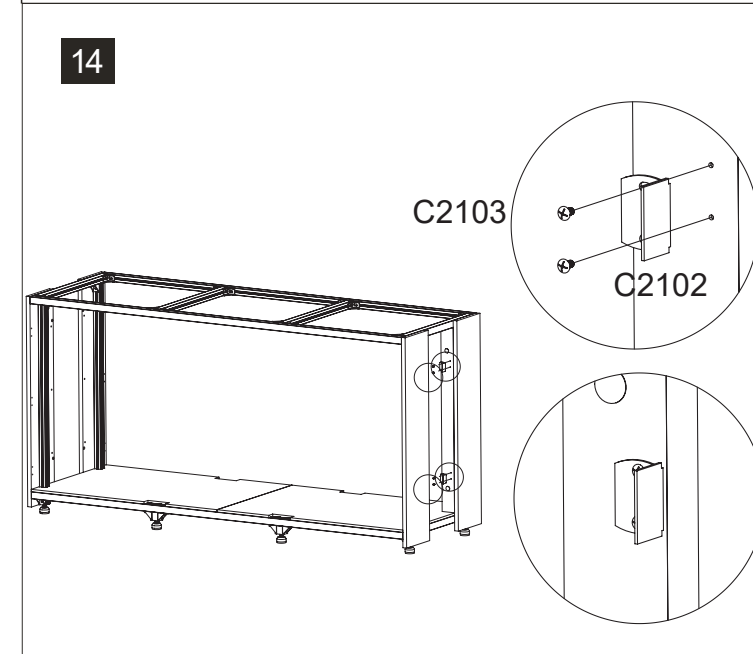
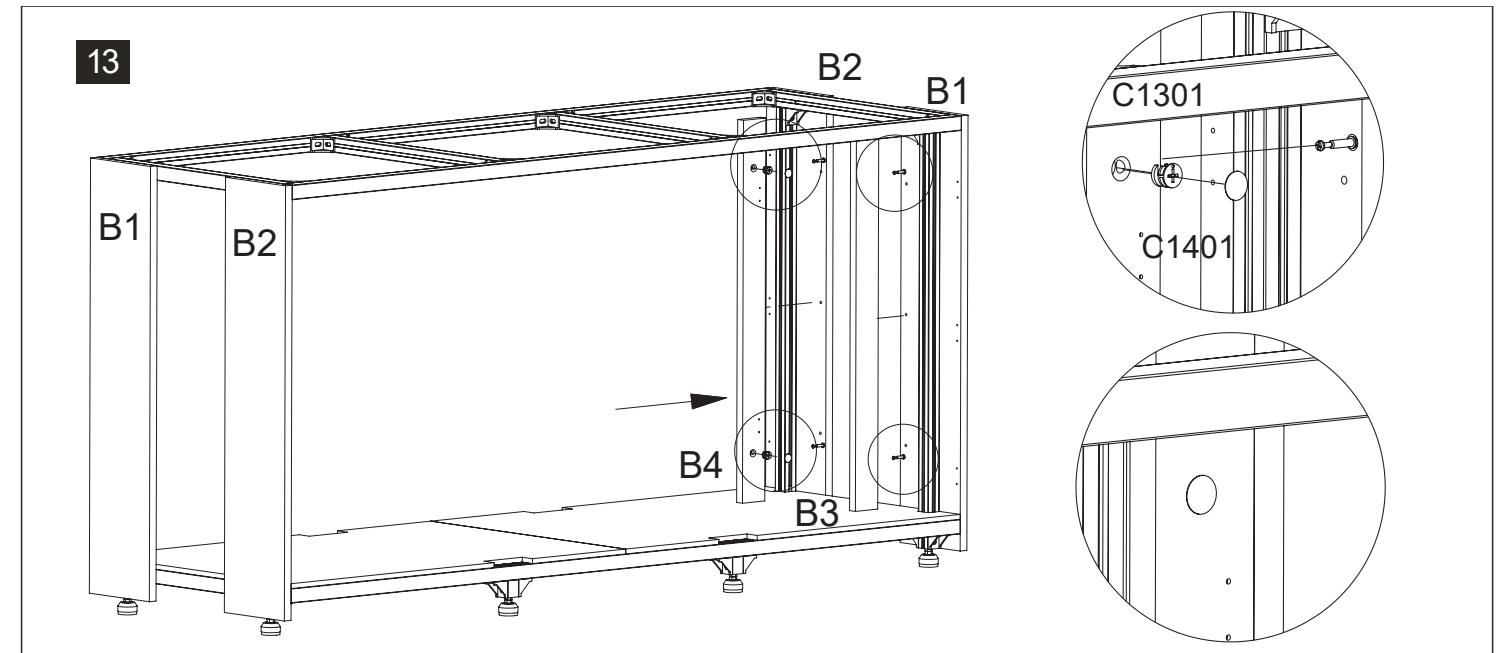
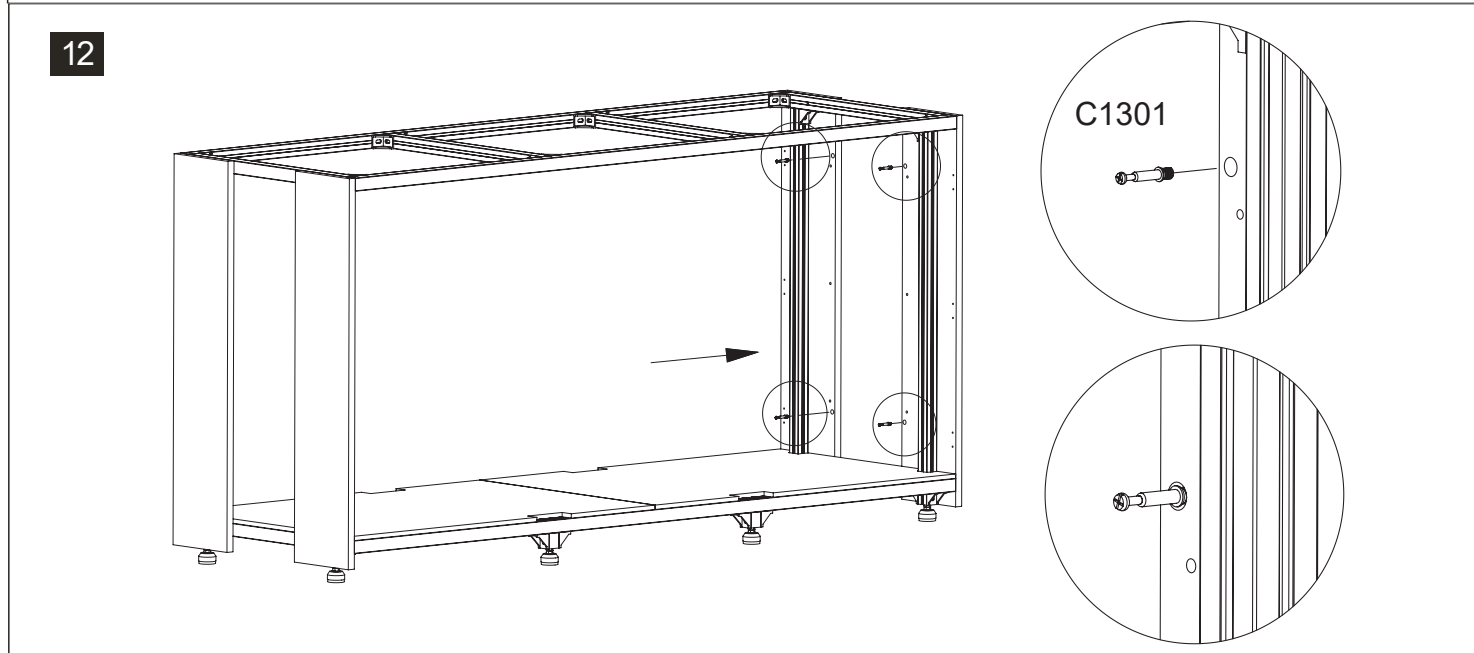
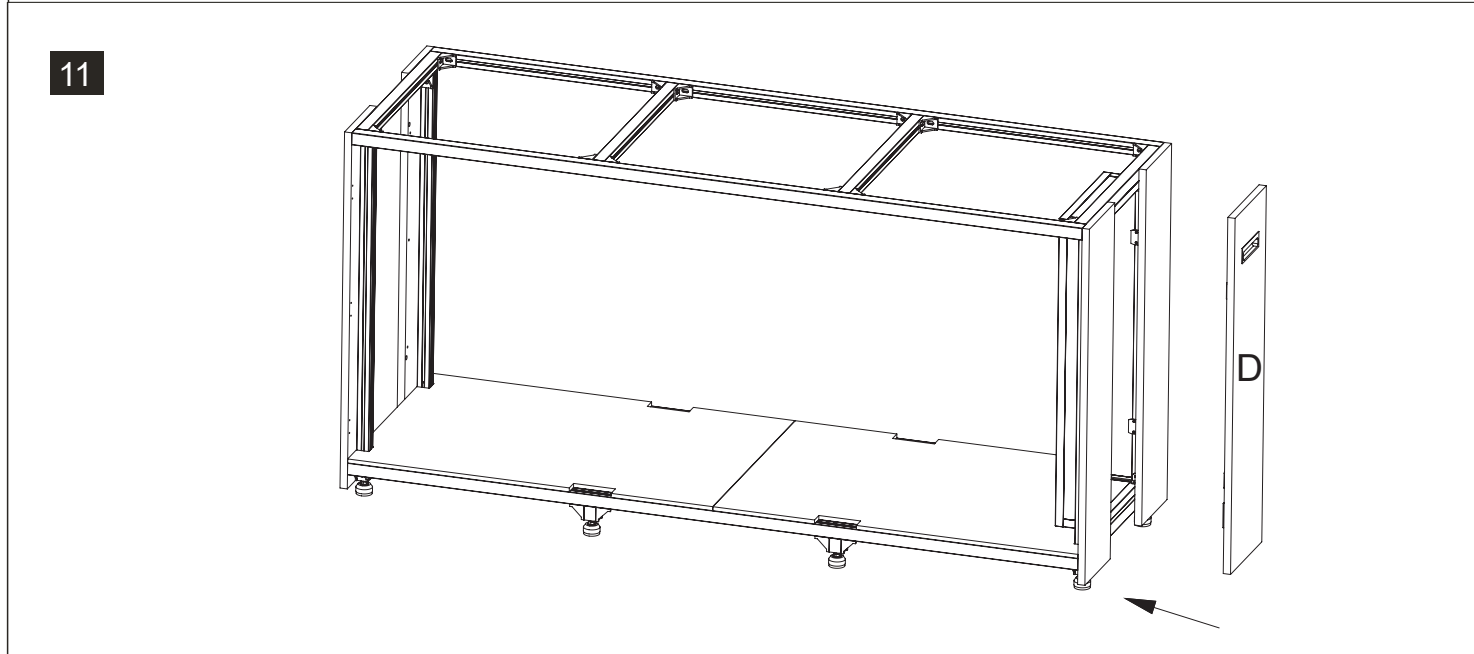
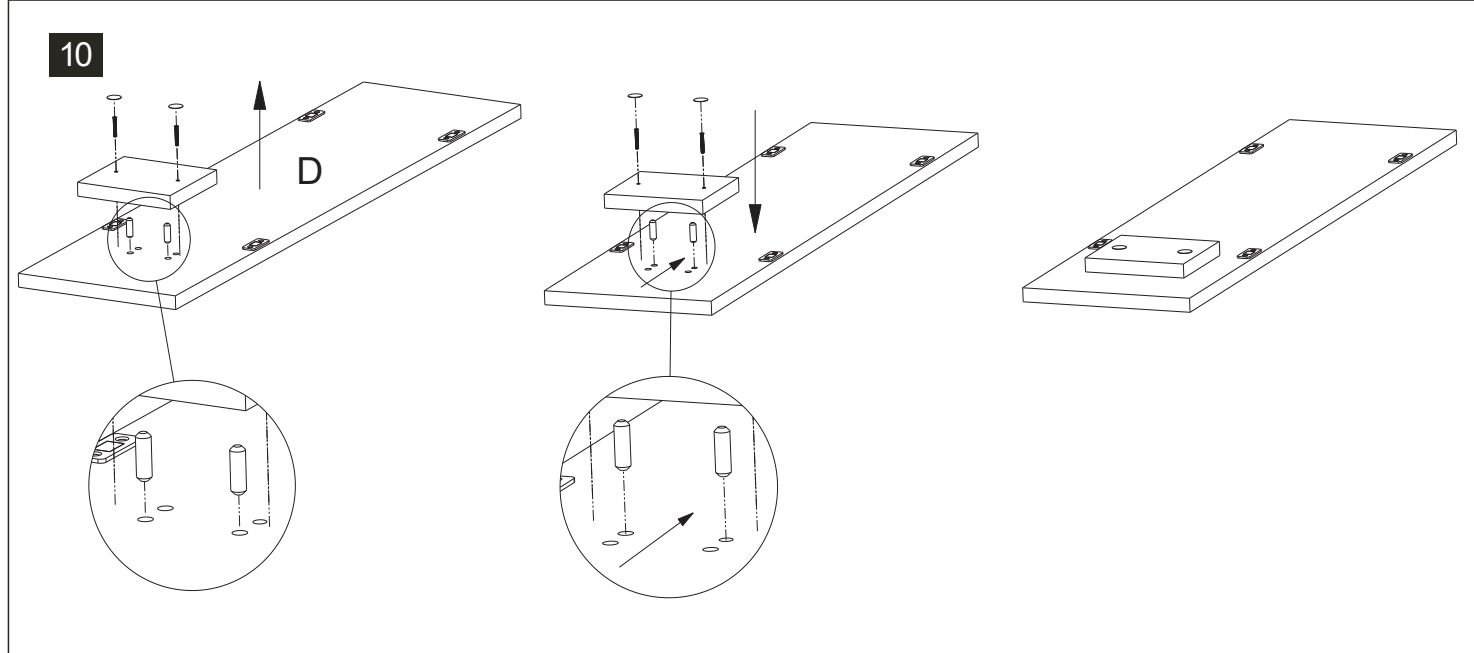


09

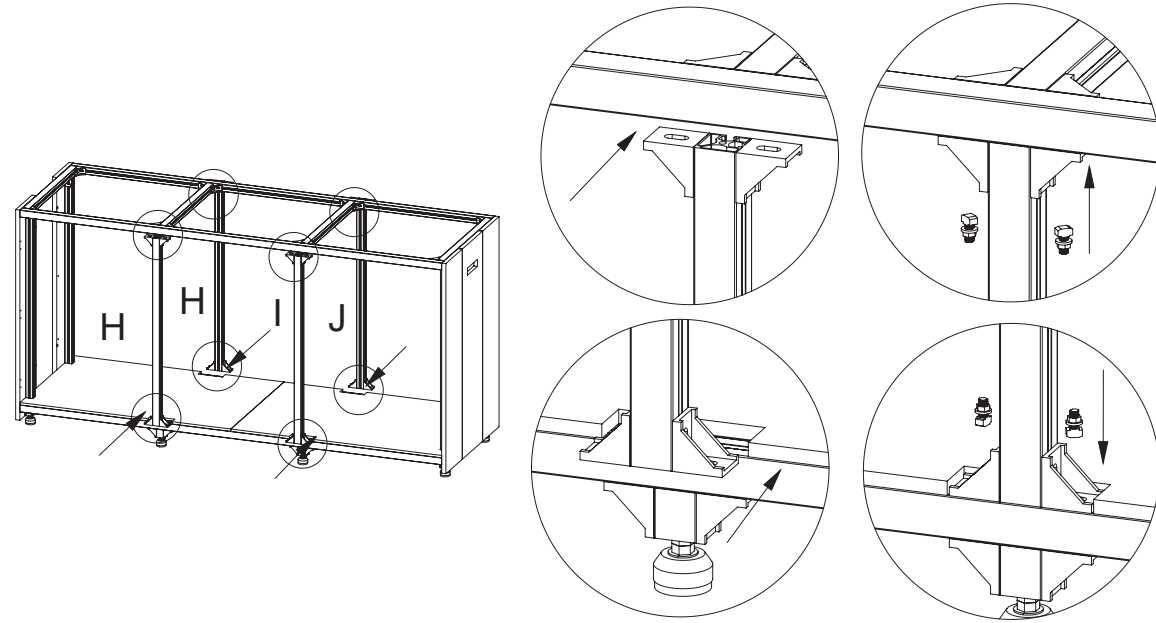


STEP08-11 with Control Box (Sold Separately)

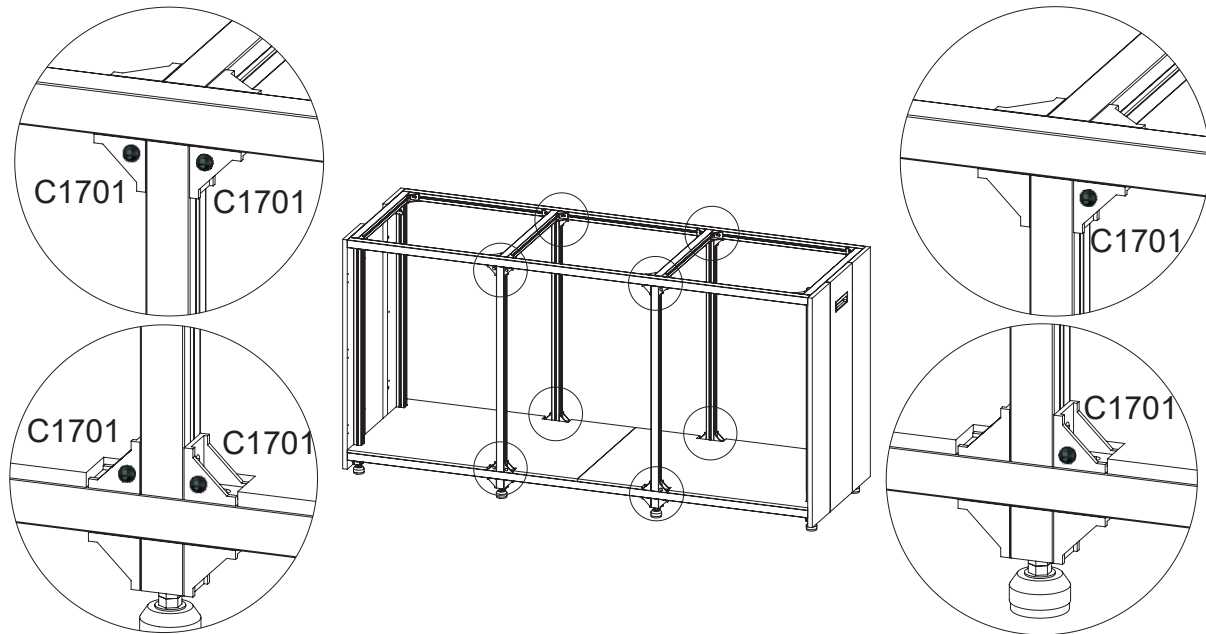
STEP12-16 w/o Control Box (Sold Separately)



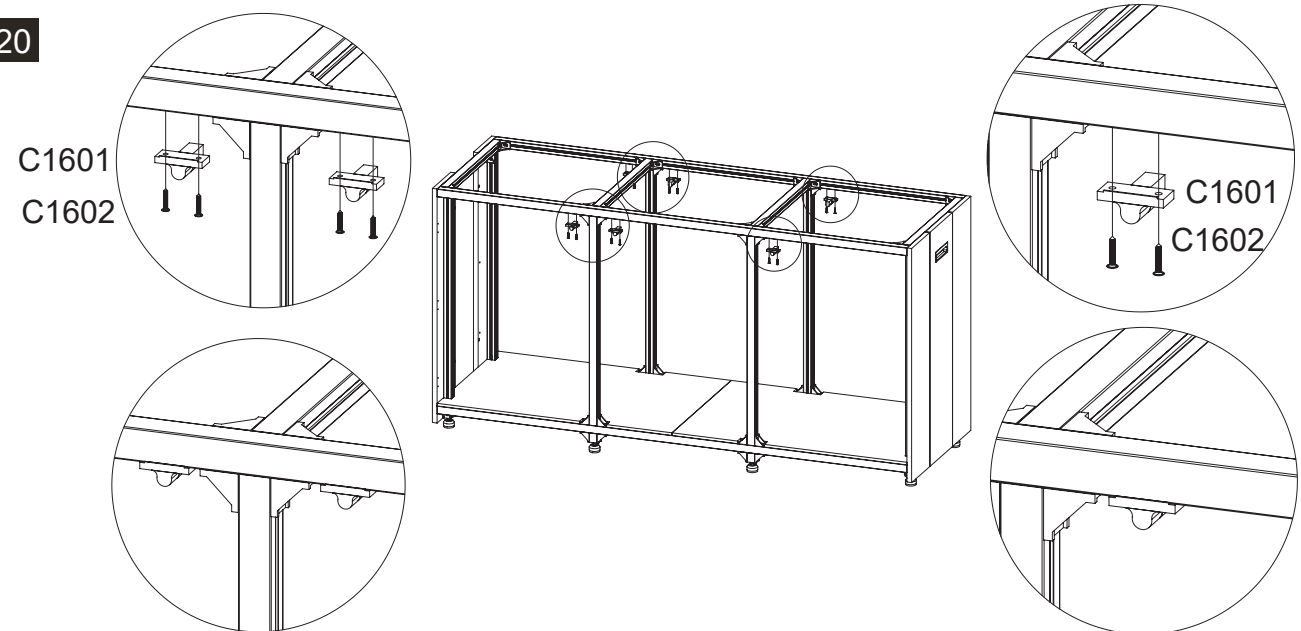
18



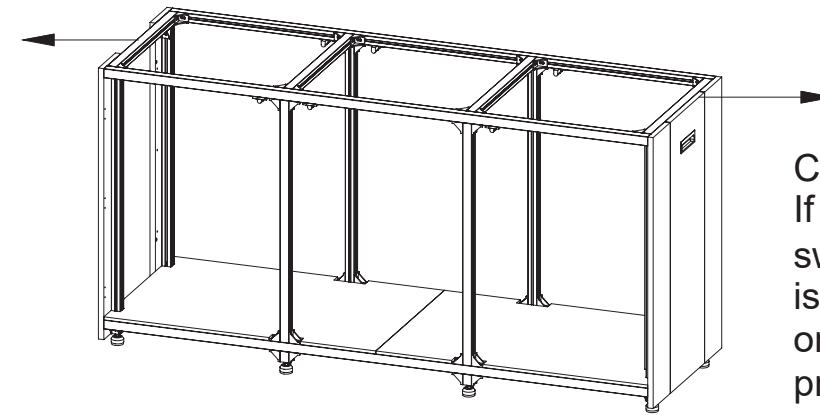
19



20

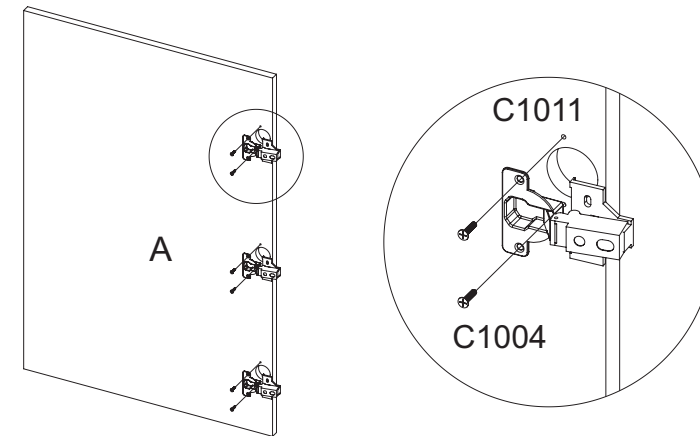


21

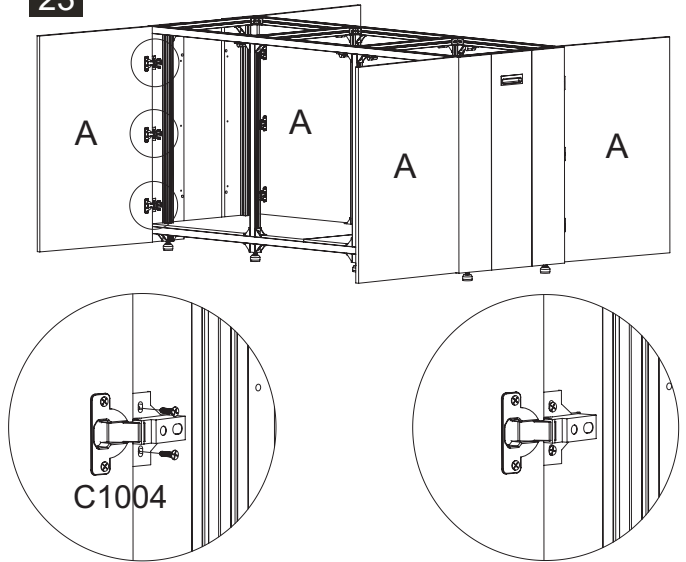


Caution:
If your cabinet has any side-to-side sway, do not proceed further. There is hardware that is not tightened fully, or corner bracket screws are not in the proper orientation.

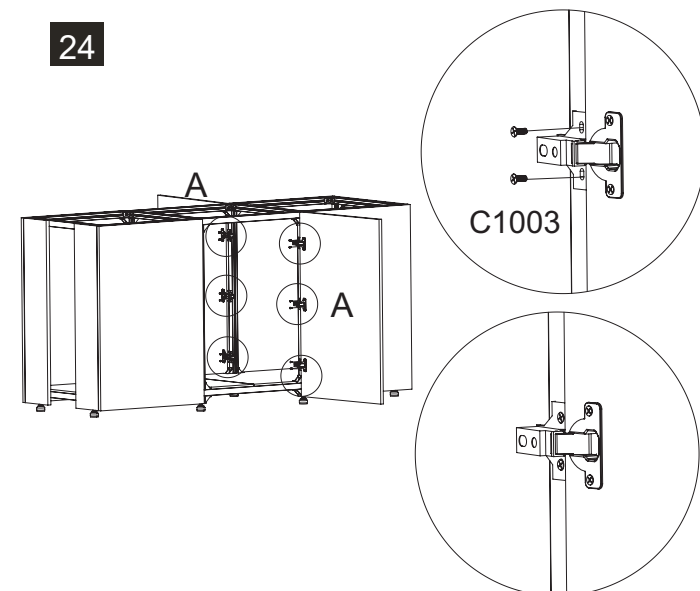
22



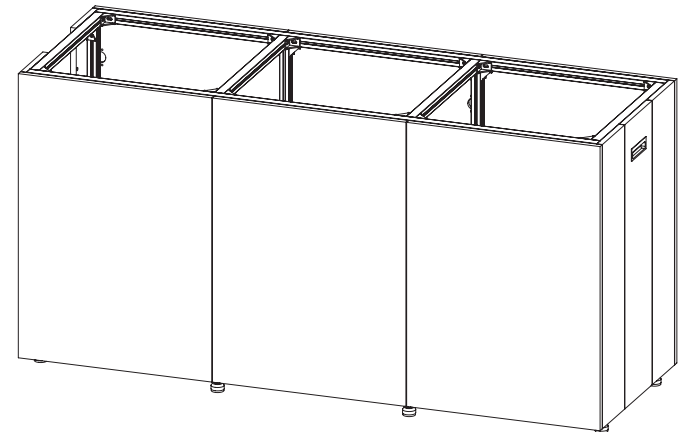
23

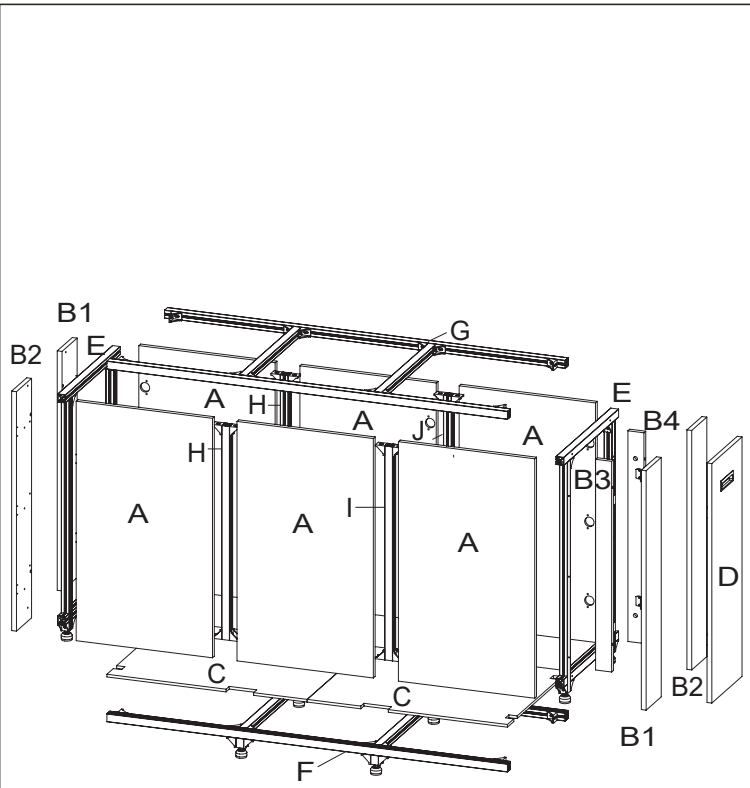


24

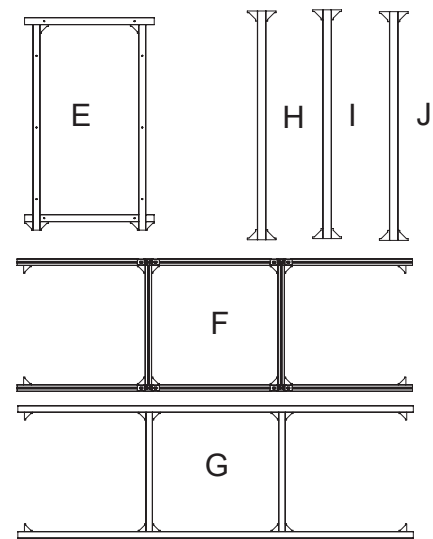
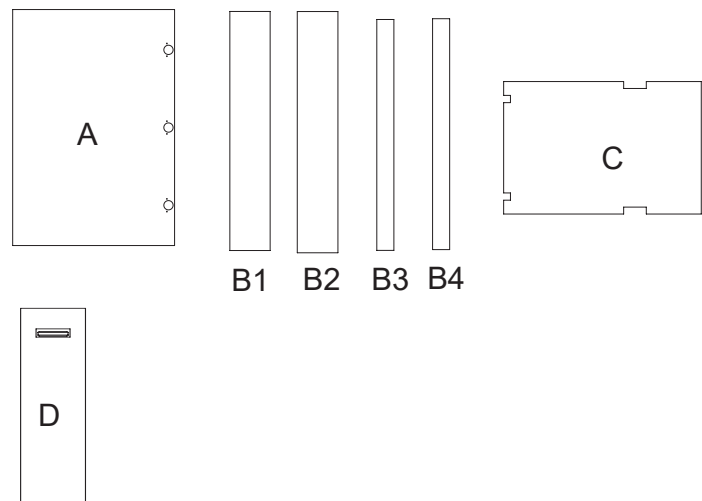


25





	Code	Name	QTY	Spare
	C1203	Leveling Foot	8	
	C1601	Rebound Kit	6	
	C1602	Screw M3.5x20 for Rebound Kit	12	
	C1011	Door Hinge	18	
	C1004	Screw M4x14 for Door Hinge	60	4
	C1003	Screw M4x10 for Door Hinge	12	2
	C1412	Screw M4x30 for Side Panel	20	2
	C2100	Black Magnet I	4	
	C2101	Screw M3.5x10 for Black Magnet I	8	2
	C2102	Black Magnet II	4	
	C2103	Screw M4x8 for Black Magnet II	8	2
	C1301	Furniture Connect Bolt	4	2
			4	2
	C1401(White) C1402(Black)	PVC Sticker	4	4
	C1503	Screw with Nut	24	4
	C1801	Spanner		1
	C1701	Silicone Pad(Clear)	12	2
	C2001	Logo		1

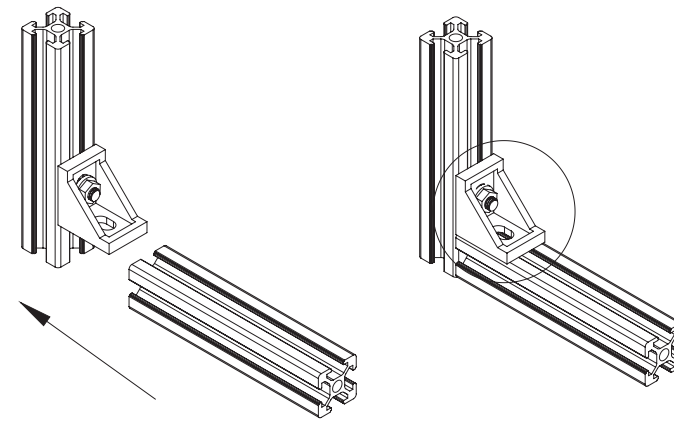


S/N	Name	QTY
A	Cabinet Door	6
B1	Side Panel I	2
B2	Side Panel II	2
B3	Side Panel III	1
B4	Side Panel IV	1
C	Bottom Panel	2
D	Removable Side Door	1

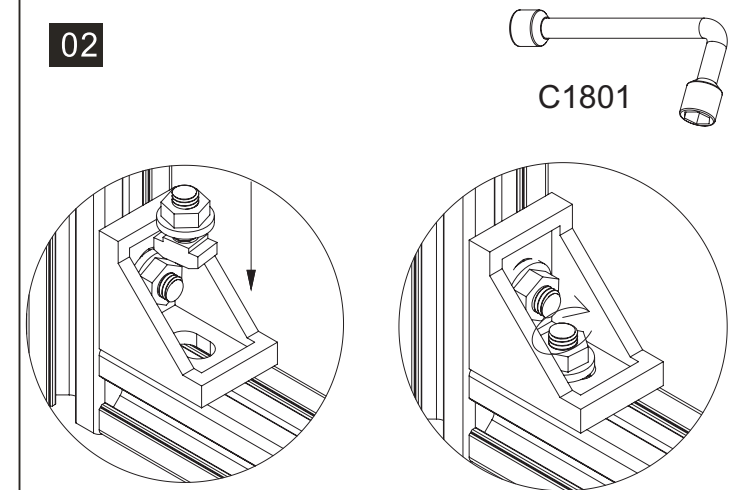
S/N	Name	QTY
E	Cabinet Side Beam	2
F	Cabinet Lower Beam	1
G	Cabinet Upper Beam	1
H	Cabinet Middle Beam I	2
I	Cabinet Middle Beam II	1
J	Cabinet Middle Beam III	1

Hardware Installation Instructions

01



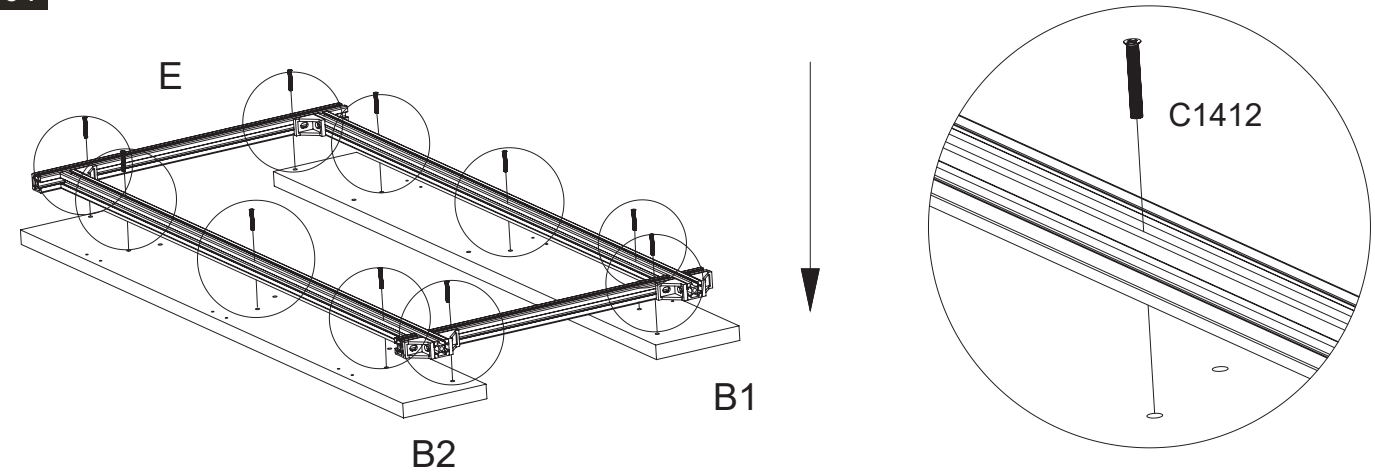
02



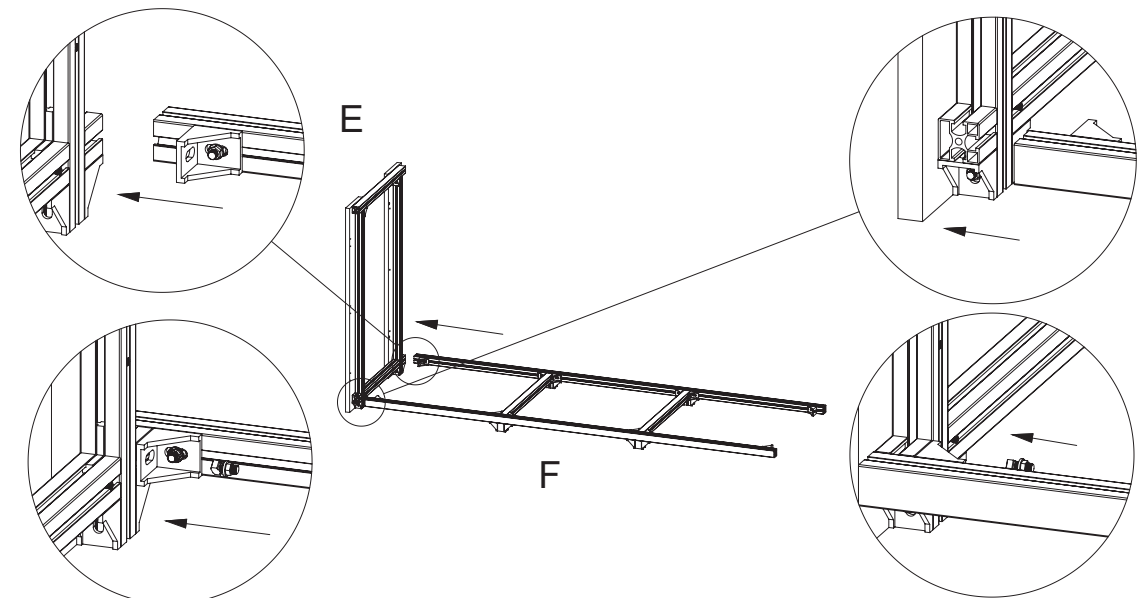
NOTE:
The screw with the nut must be tightened in a perpendicular orientation to the track in the frame.

Cabinet Installation Instructions

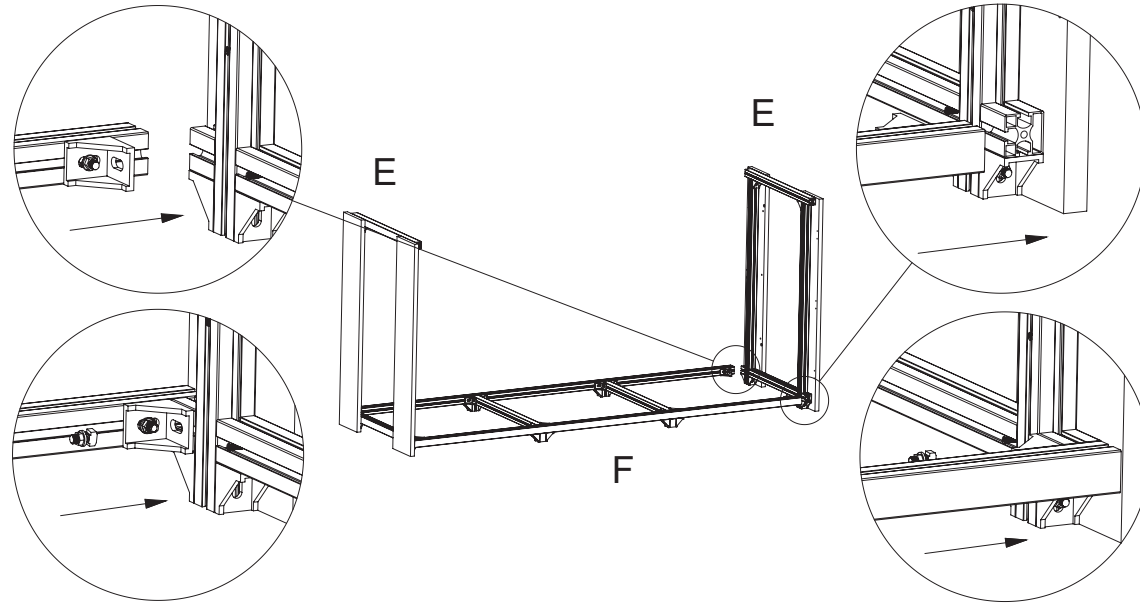
01



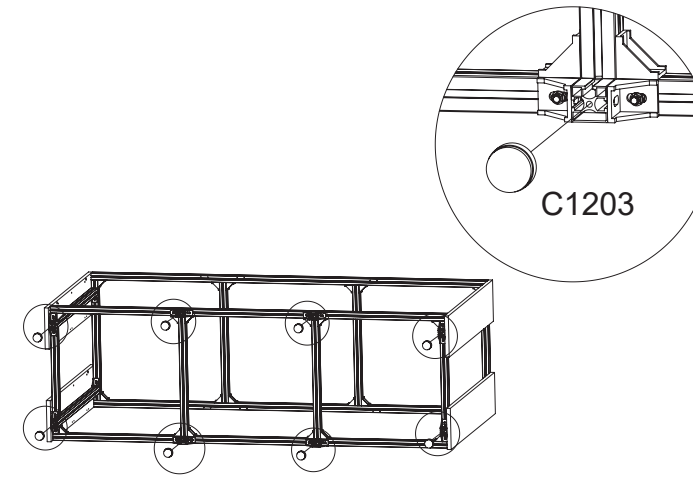
02



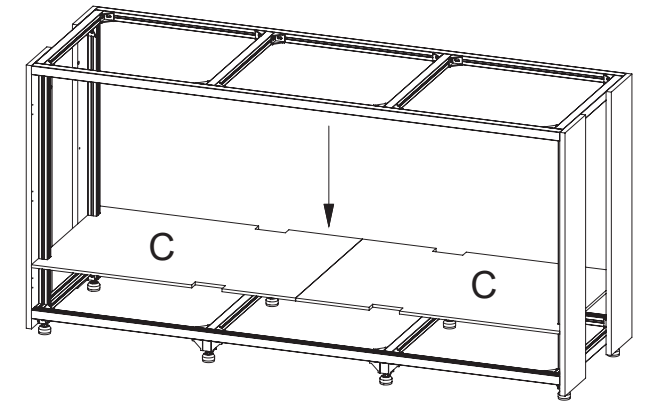
03



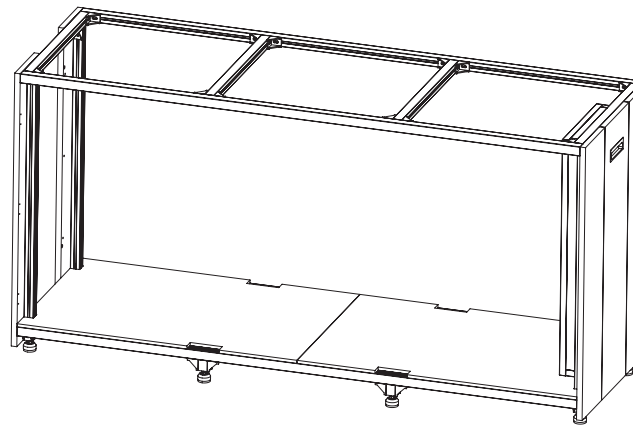
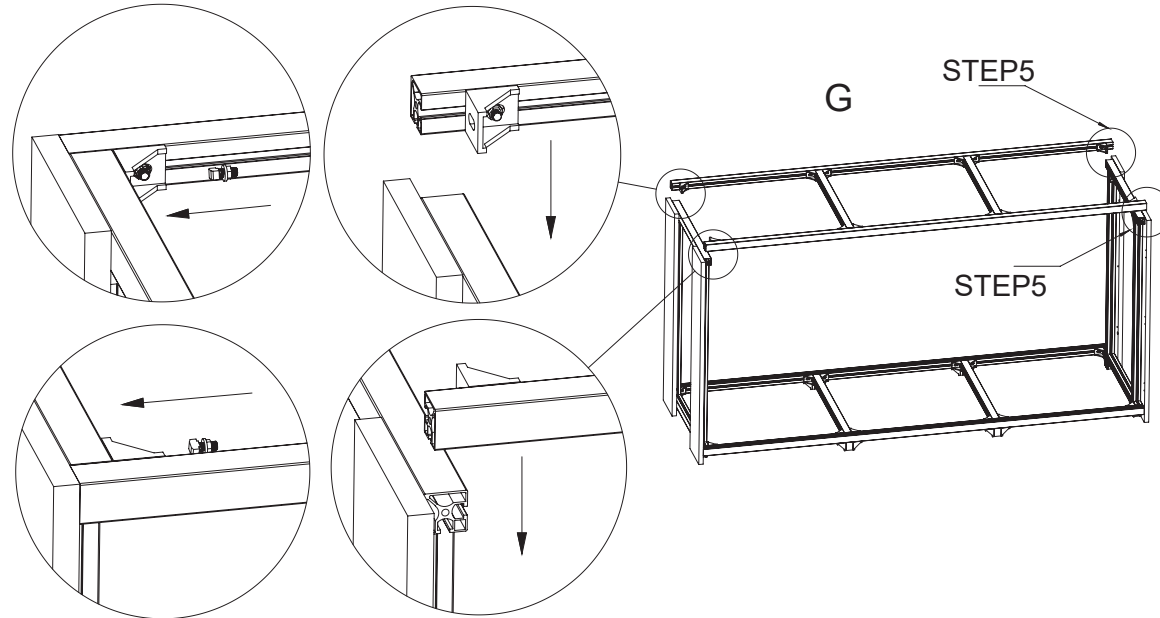
06



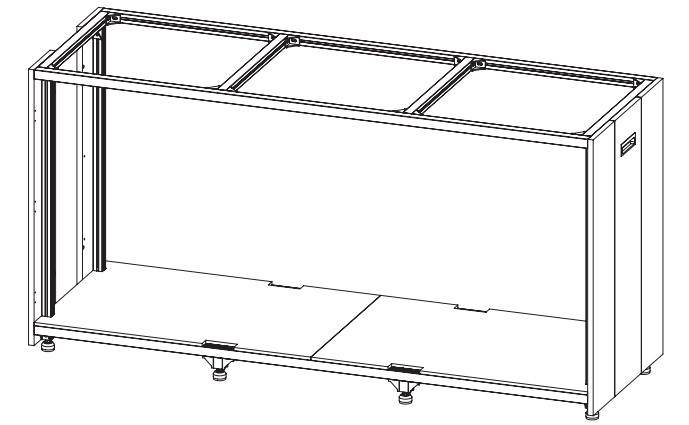
07



04

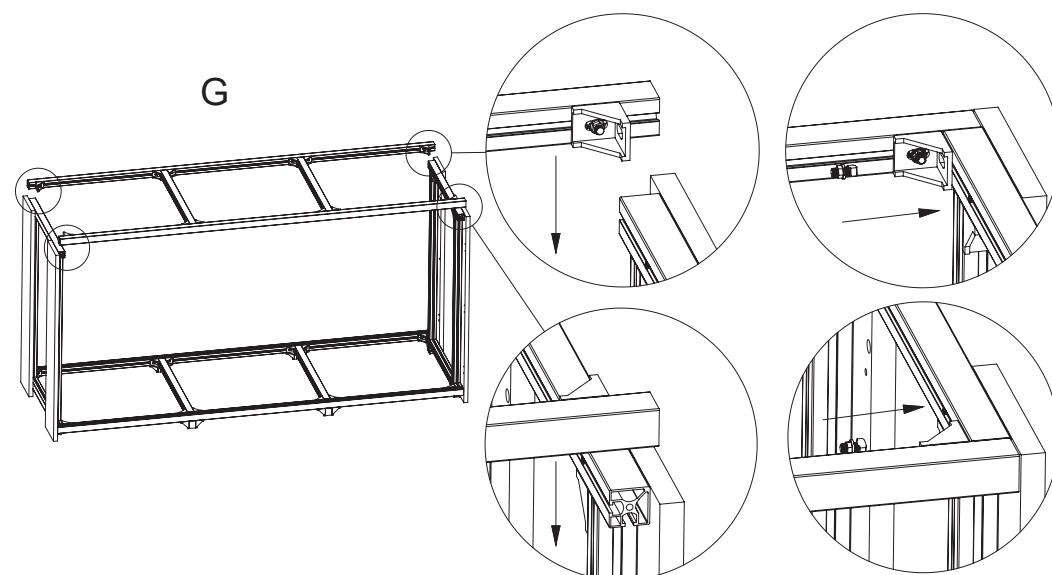


STEP08-11 with Control Box (Sold Separately)

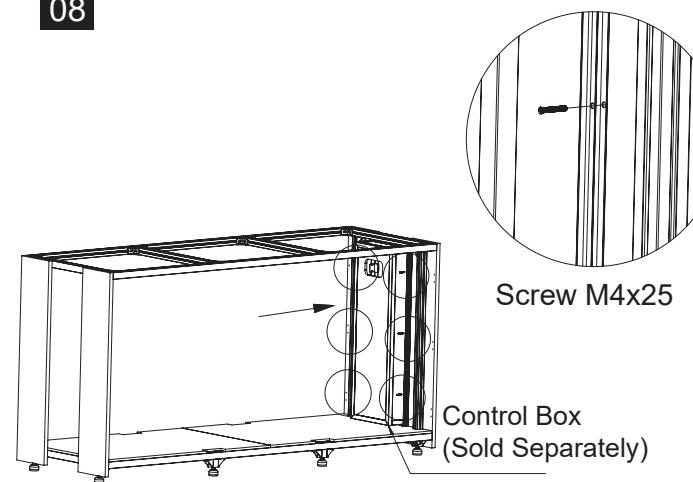


STEP12-16 w/o Control Box (Sold Separately)

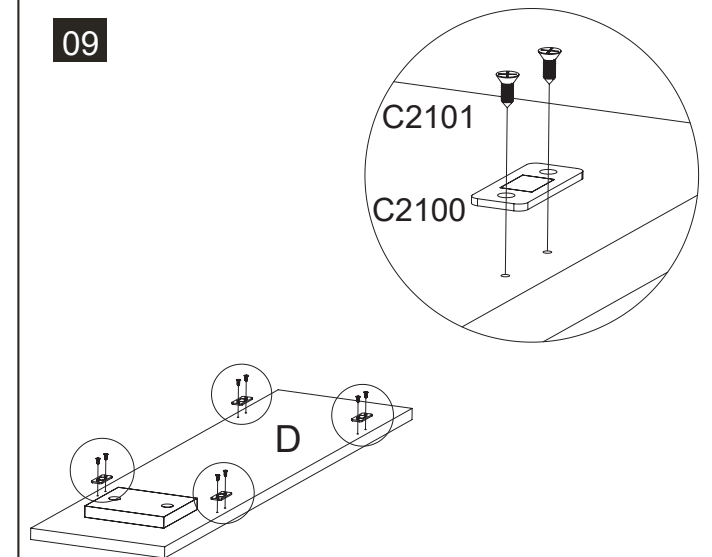
05



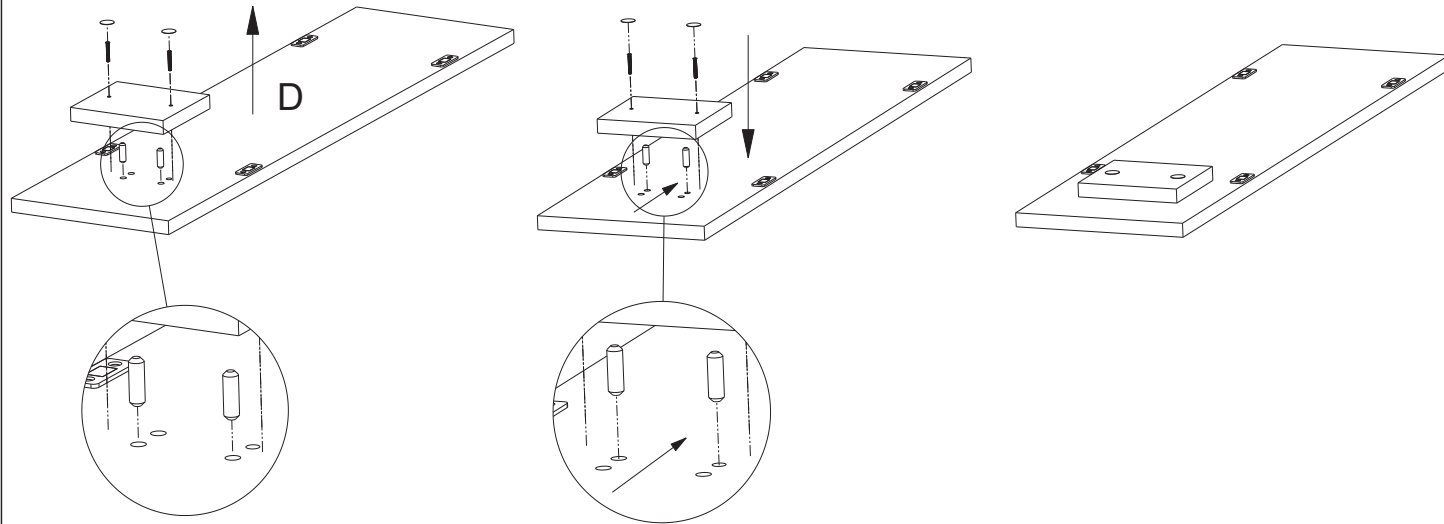
08



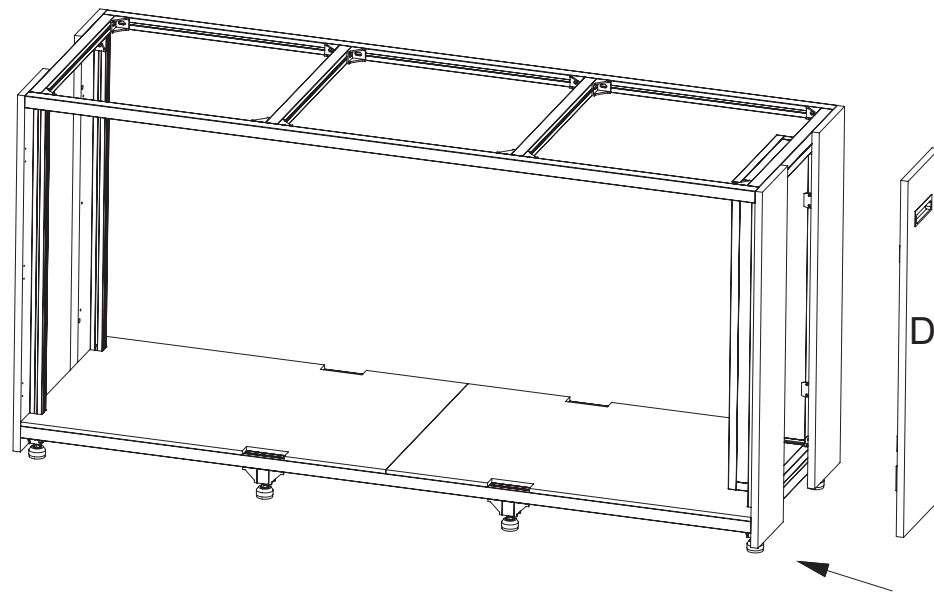
09



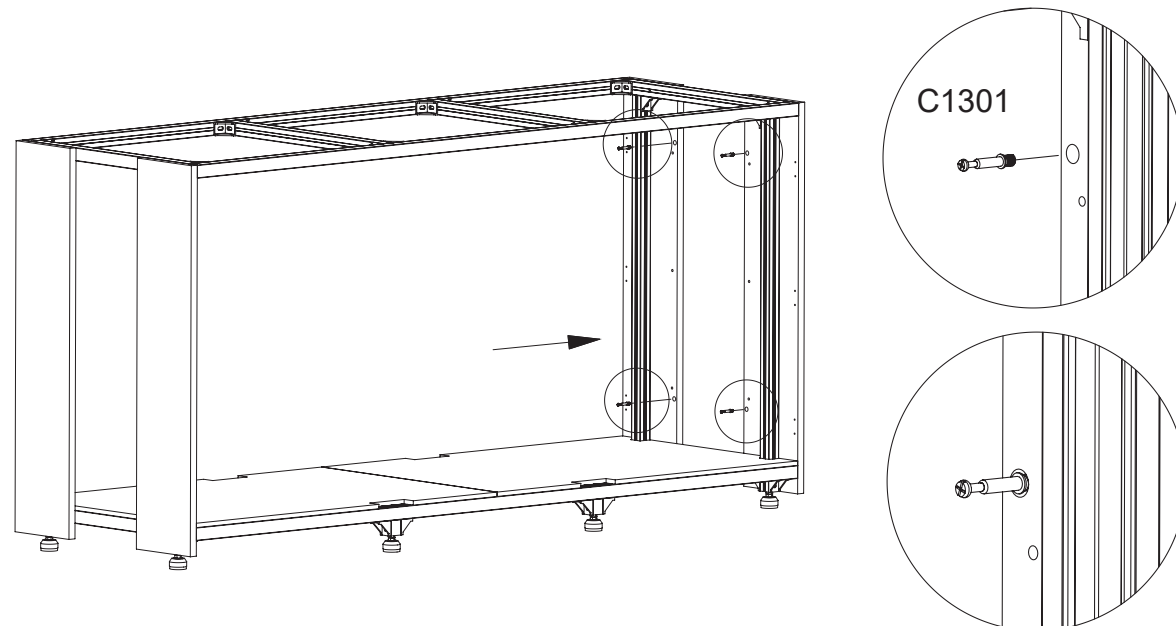
10



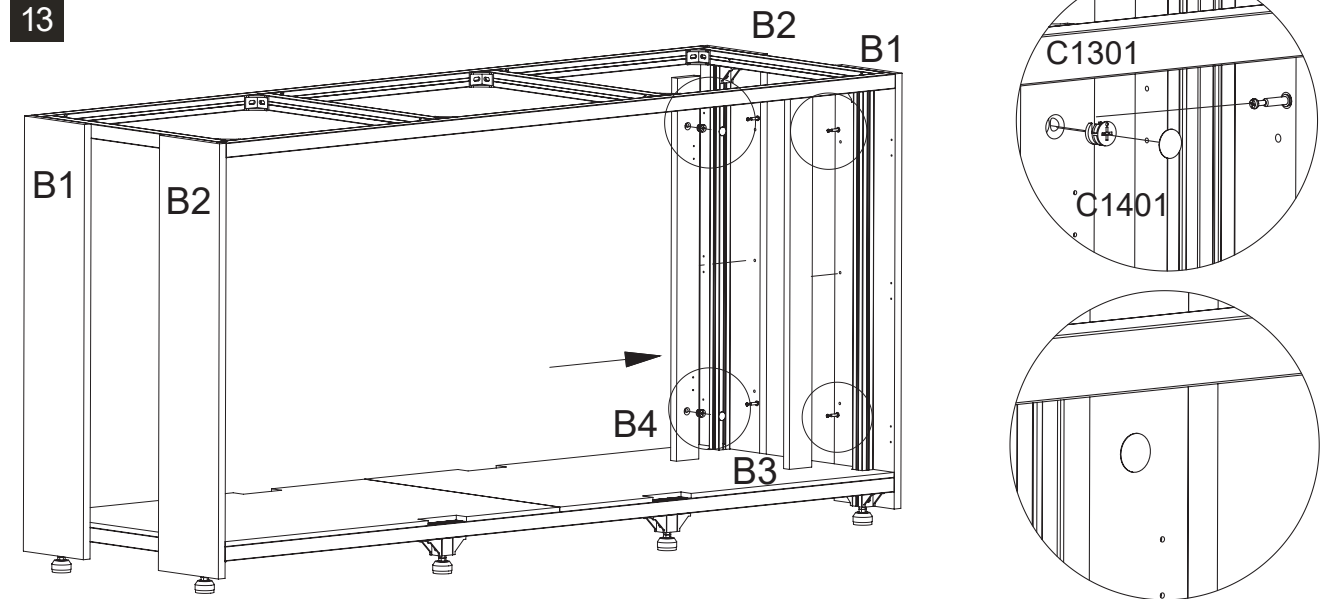
11



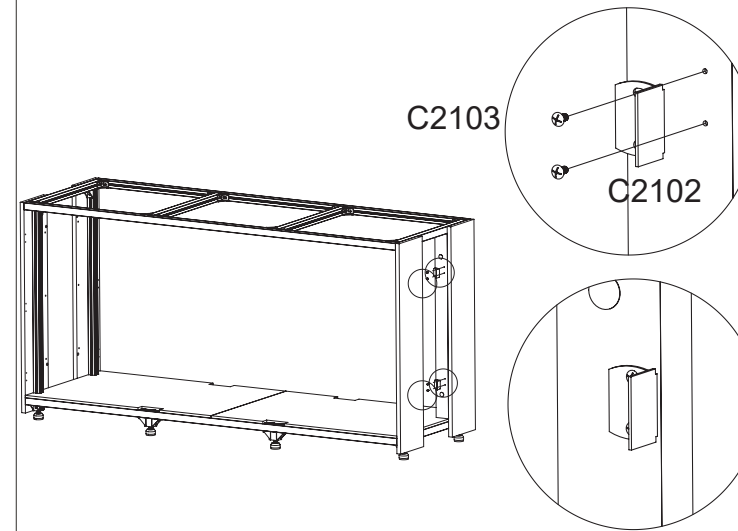
12



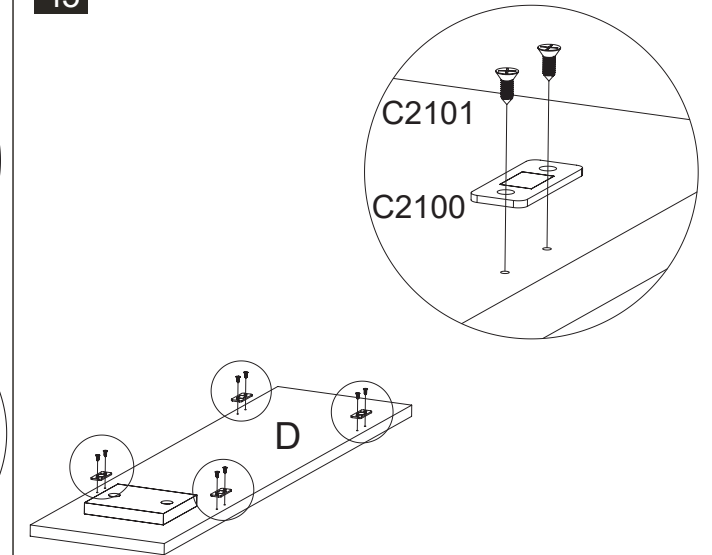
13



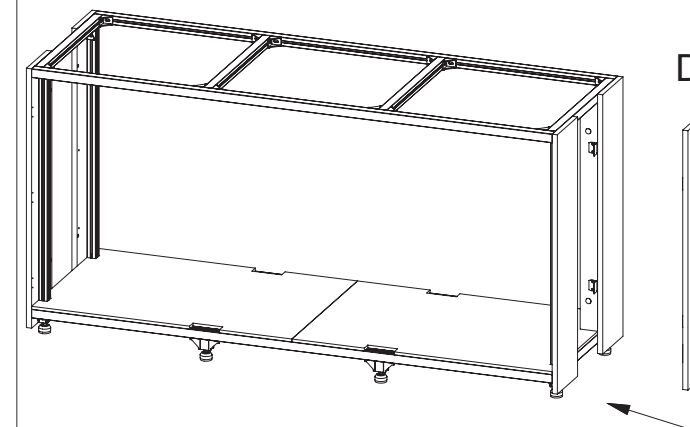
14



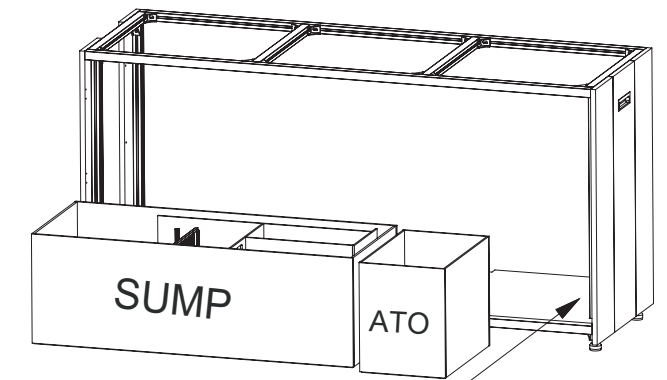
15



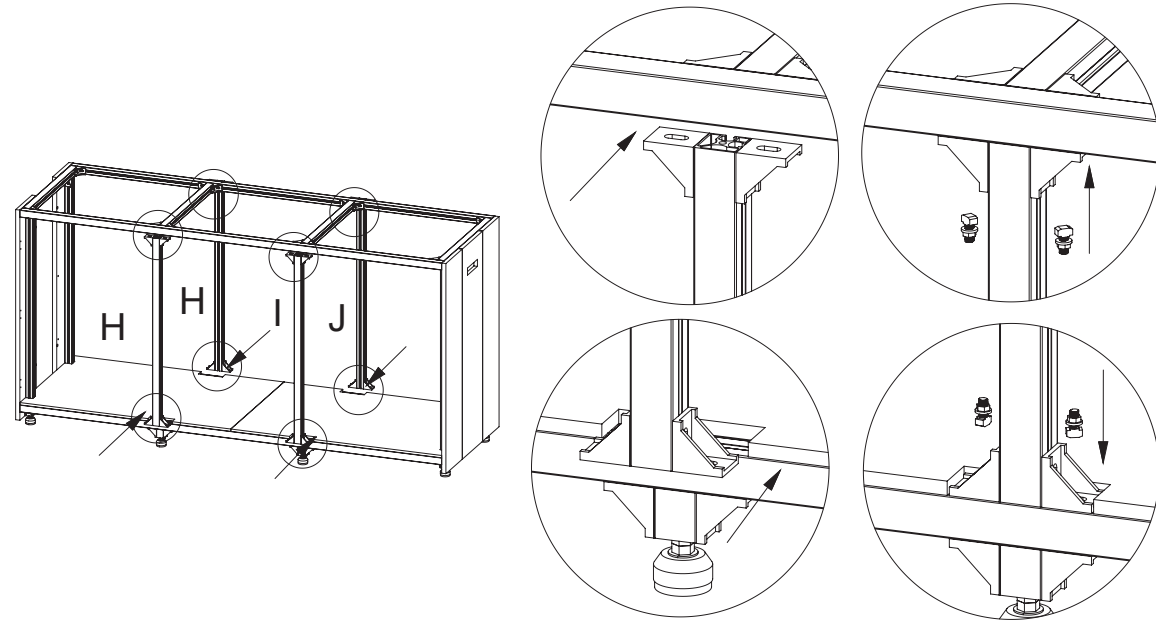
16



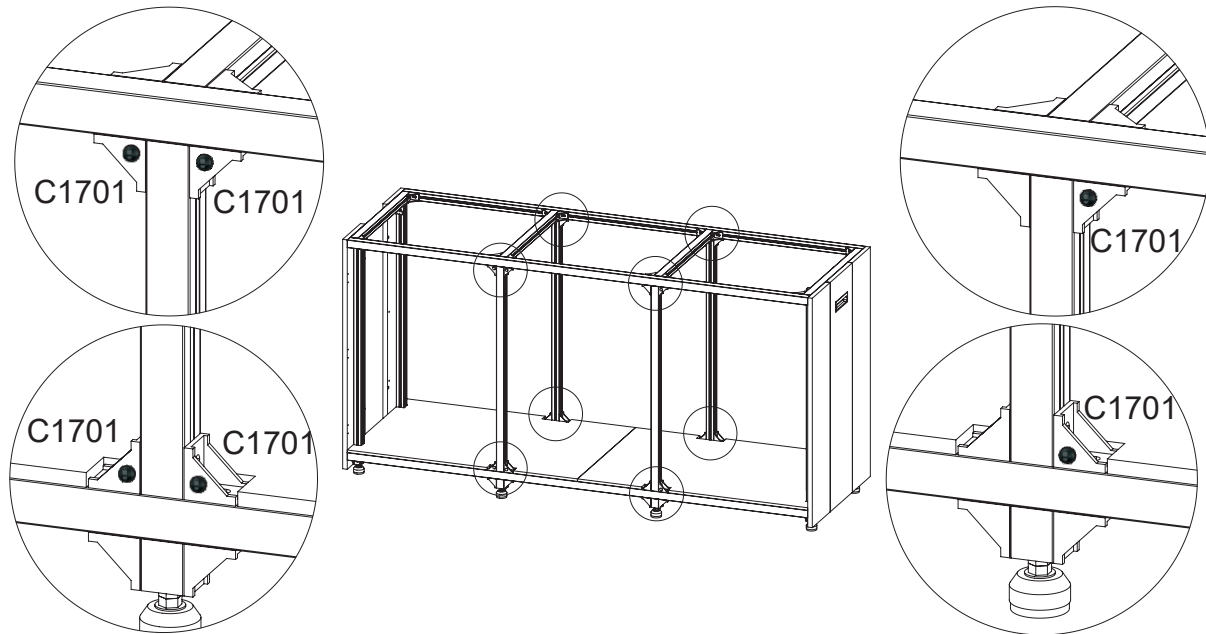
17



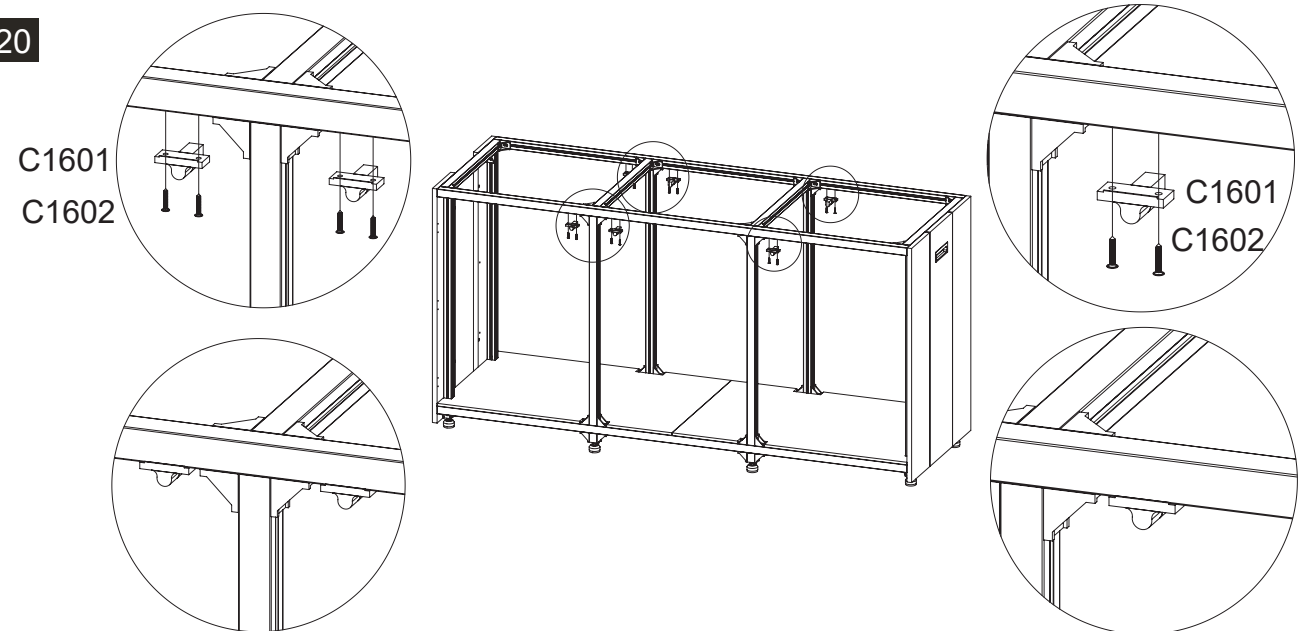
18



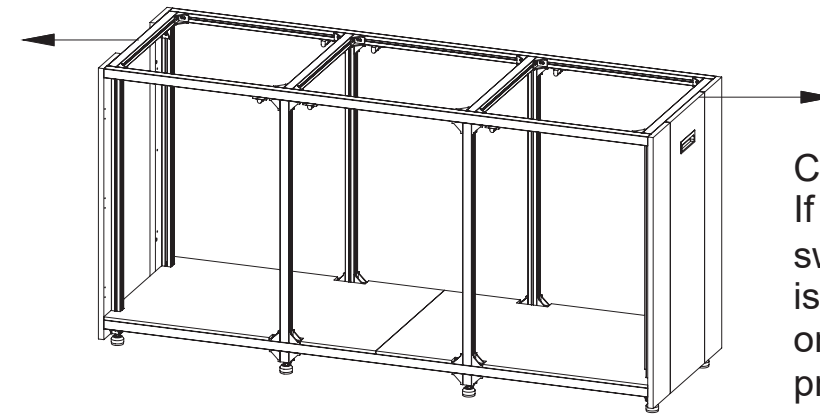
19



20

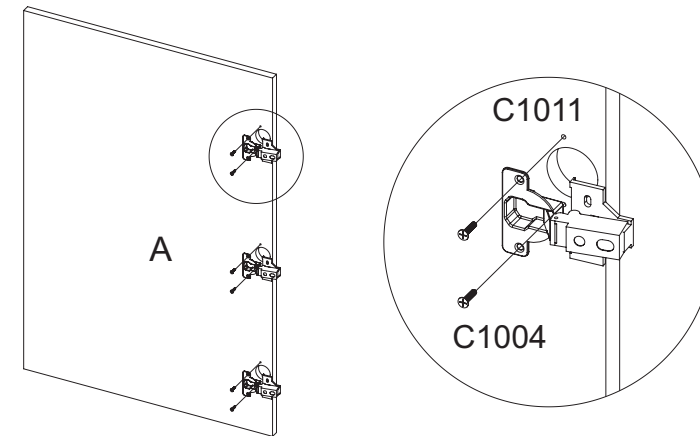


21

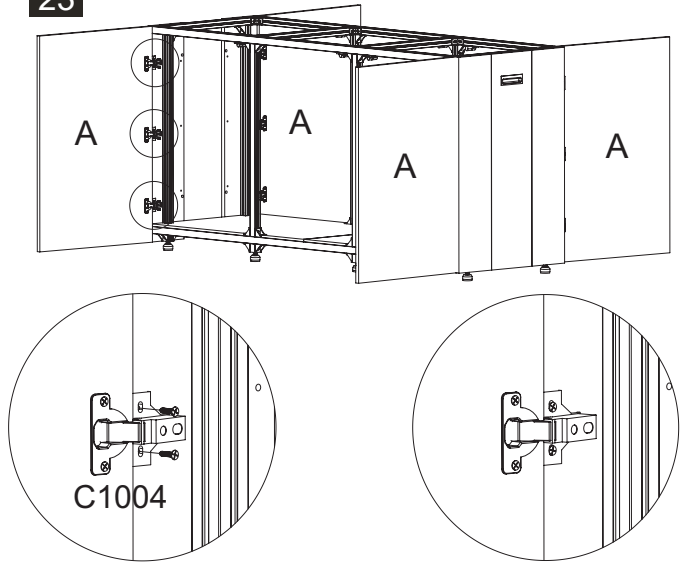


Caution:
If your cabinet has any side-to-side sway, do not proceed further. There is hardware that is not tightened fully, or corner bracket screws are not in the proper orientation.

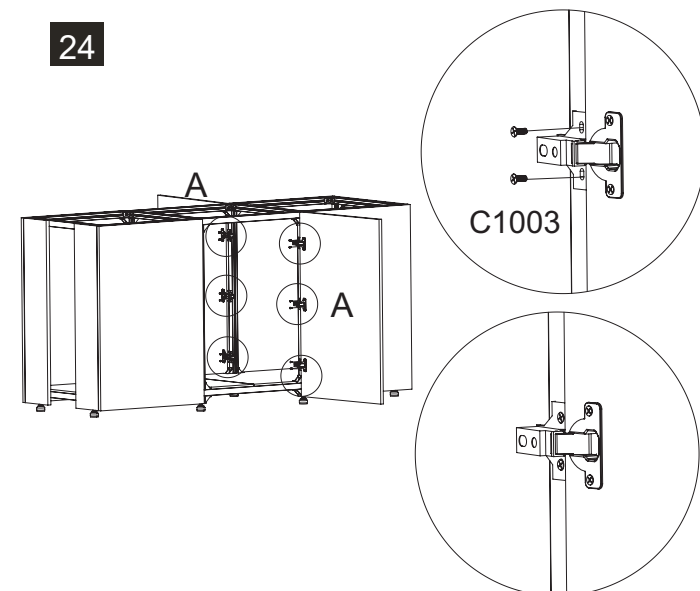
22



23



24



25

