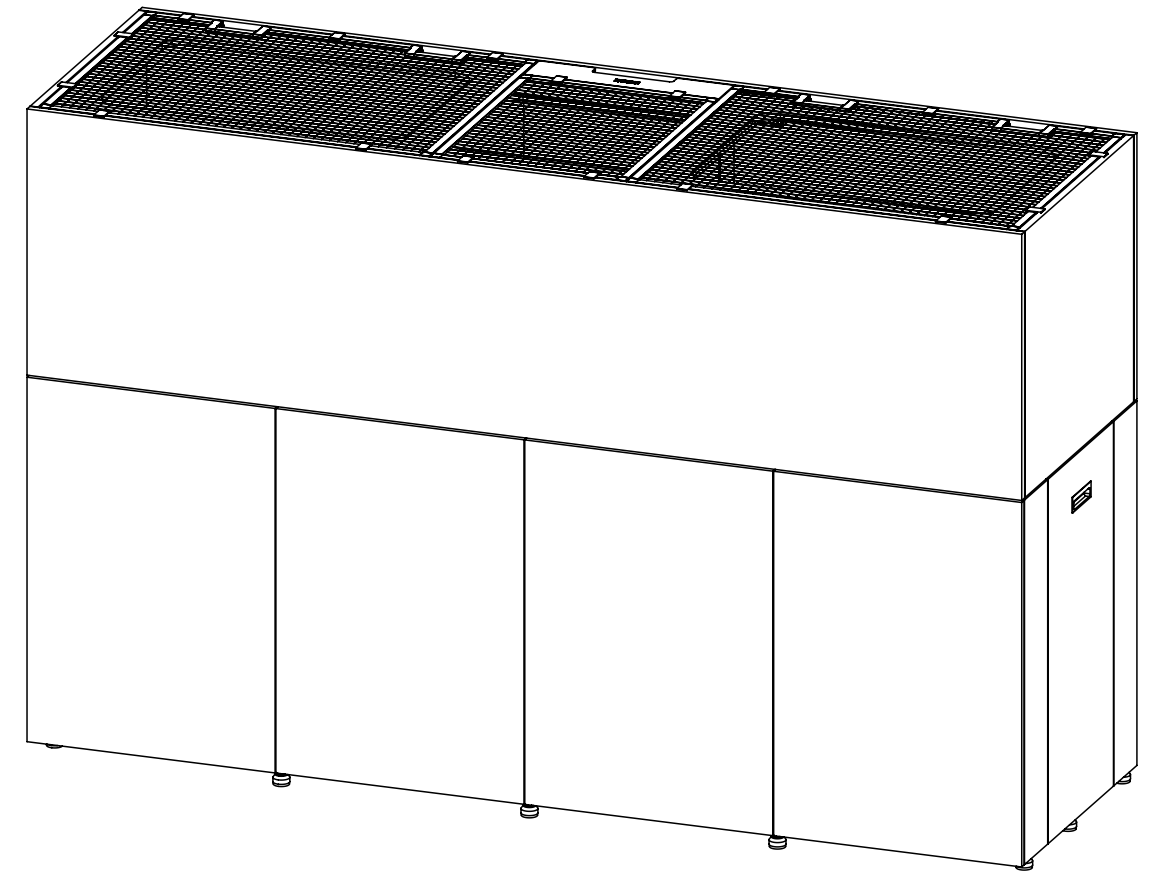


WATERBOX[®]
A Q U A R I U M S

WATERBOX[®]
A Q U A R I U M S



PRODUCT MANUAL

REEF LX[®] 290.6 | 330.7 | 380.8

WB-BL04-7406

Waterbox Aquariums USA
320.W.Sabal Palm Place
Longwood, FL 32779
www.waterboxaquariums.com

USA: +1 800-674-2608
Canada: +1 437 888 2612
Europe: +31 20 808 3685
UK: +44 1784 614175



CONTENT

◀ REEF LX®

● REEF LX® 290.6 P01--04 ●

● REEF LX® 330.7 P05--08 ●

● REEF LX® 380.8 P09--12 ●

MY WATERBOX

Tank Model Tank Lot #

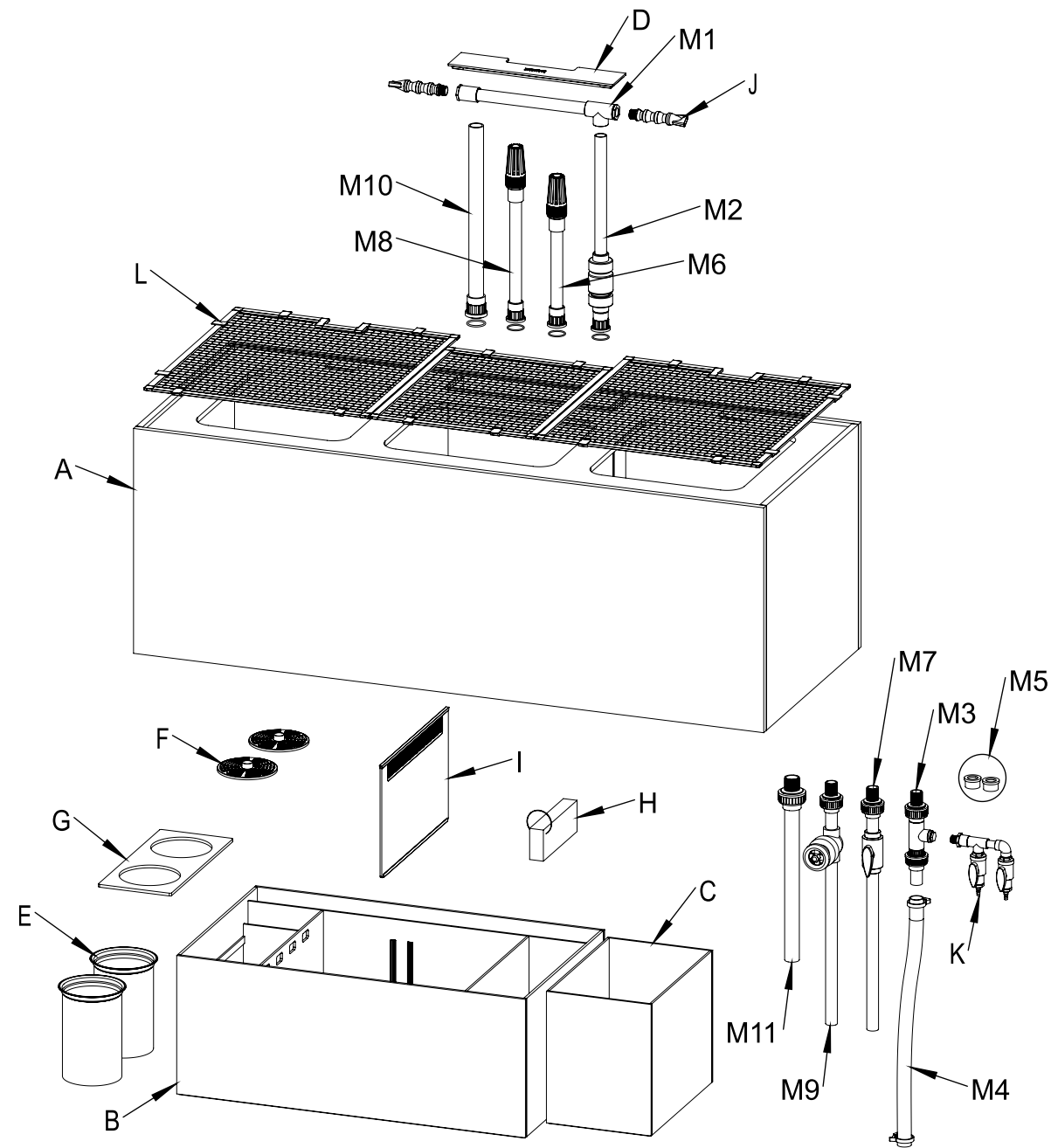
Cabinet Model Cabinet Lot #

Purchase Date

Sellers

Address

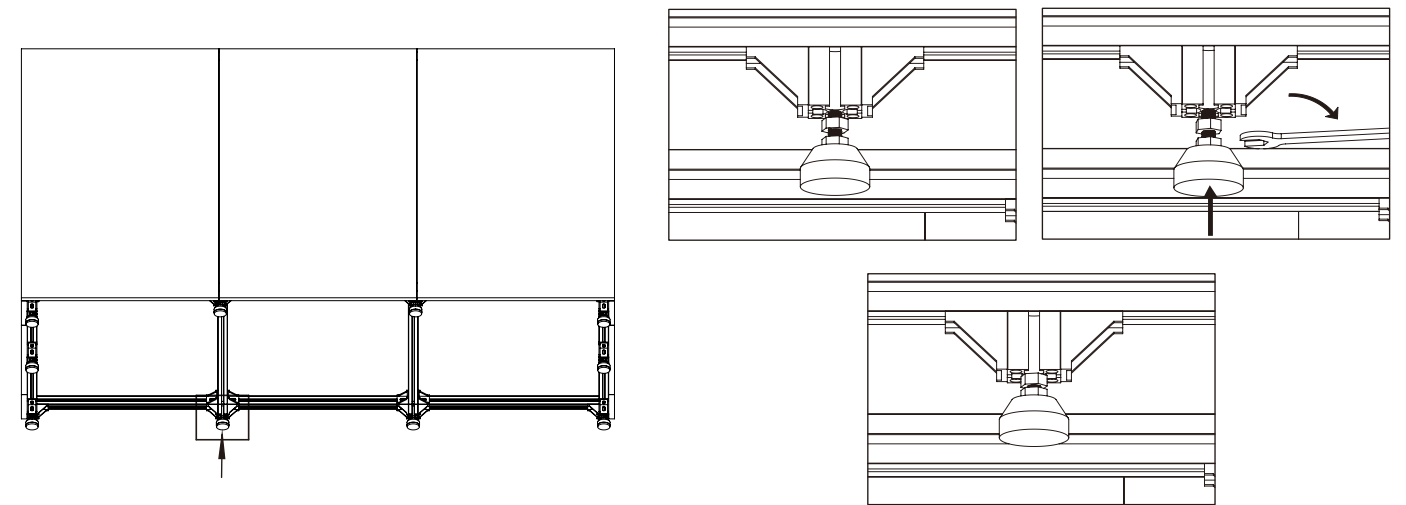
TEL/Mobile



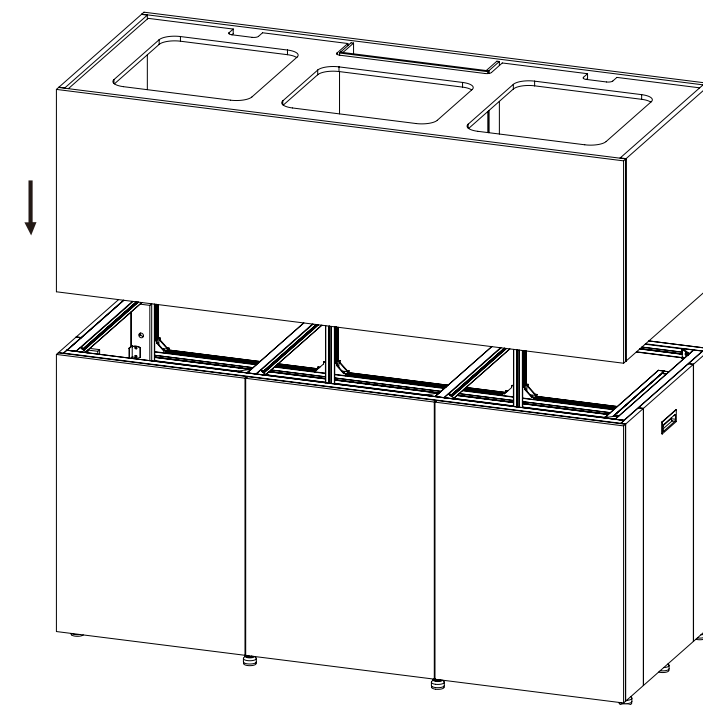
ITEM	QTY	KIT	CODE
A	1	Display Tank REEF LX 290.6	S02GT300
B	1	Glass Sump REEF LX 290.6	S02SP31
C	1	ATO INF REEF 190.5/230.6/INF FRAG 155.5/175.6/PEN 6025/7225/LX 290.6/330.7	S02AT45
D	1	LID-4810-C	810039390740
E	2	FELT 225 Micron -7"	850000451834
F	2	Filter Sock Silencer 7"	810039391013
G	1	Filter Socks Holder	R11YKL62
H	1	Filter Sponge 518*90	S12FS34
I	1	Refugium Baffle 518	S11ZG14
J	2	NZ 20-FX	810039391181
K	1	Manifold 15D	810039391198
L	1	MT REEF LX 290.6	S02MT04

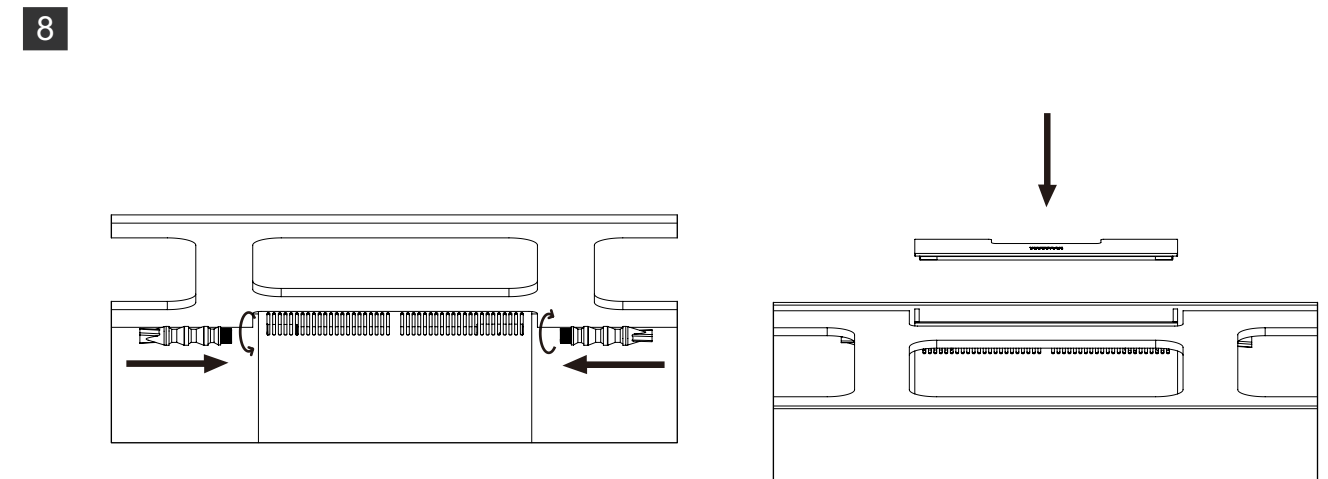
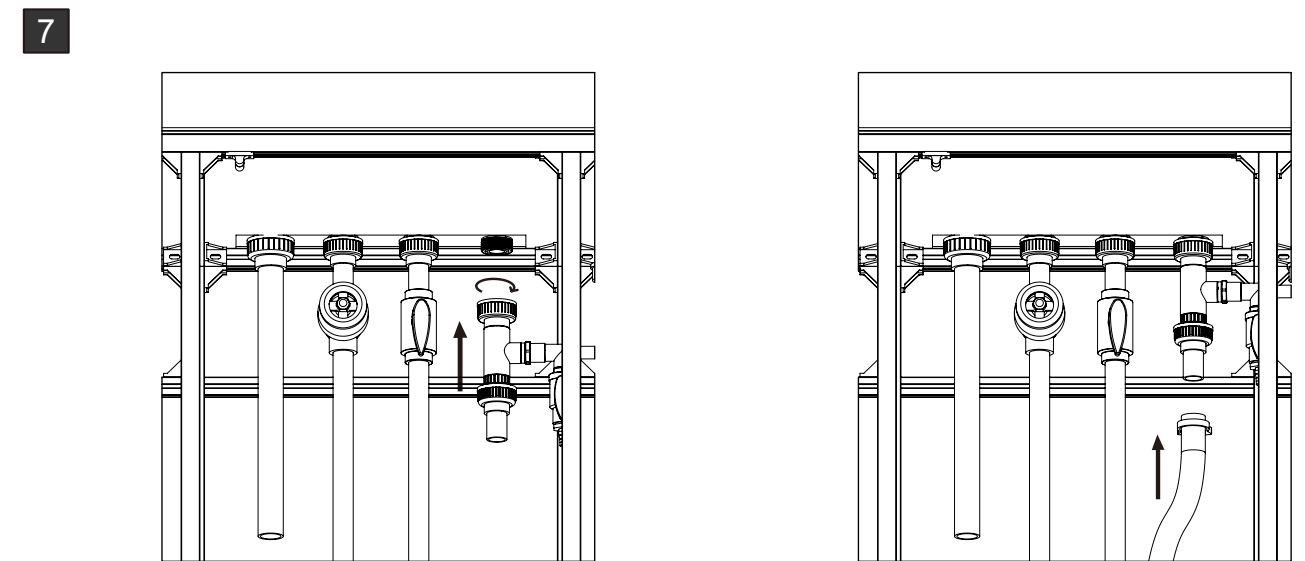
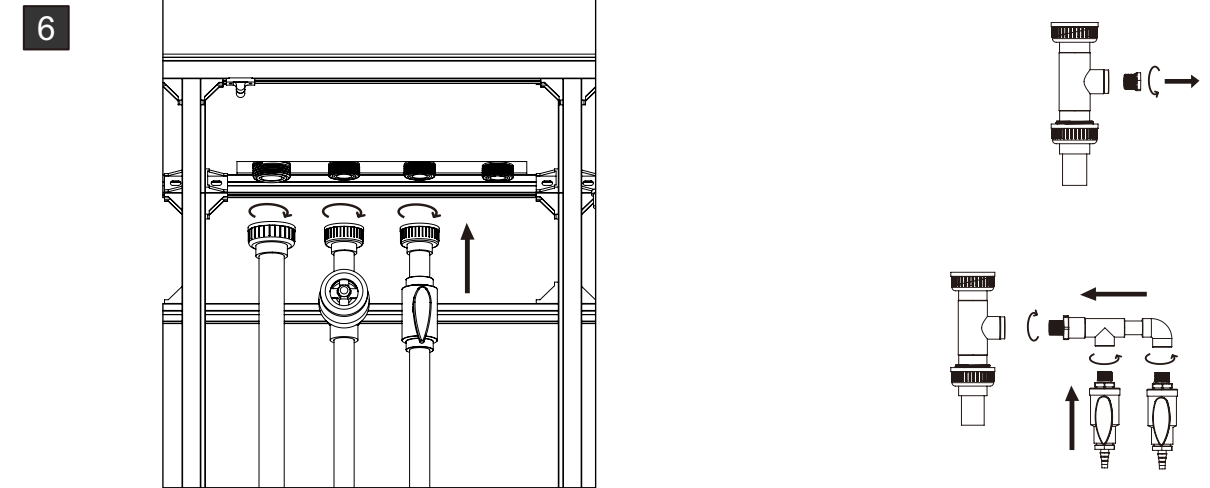
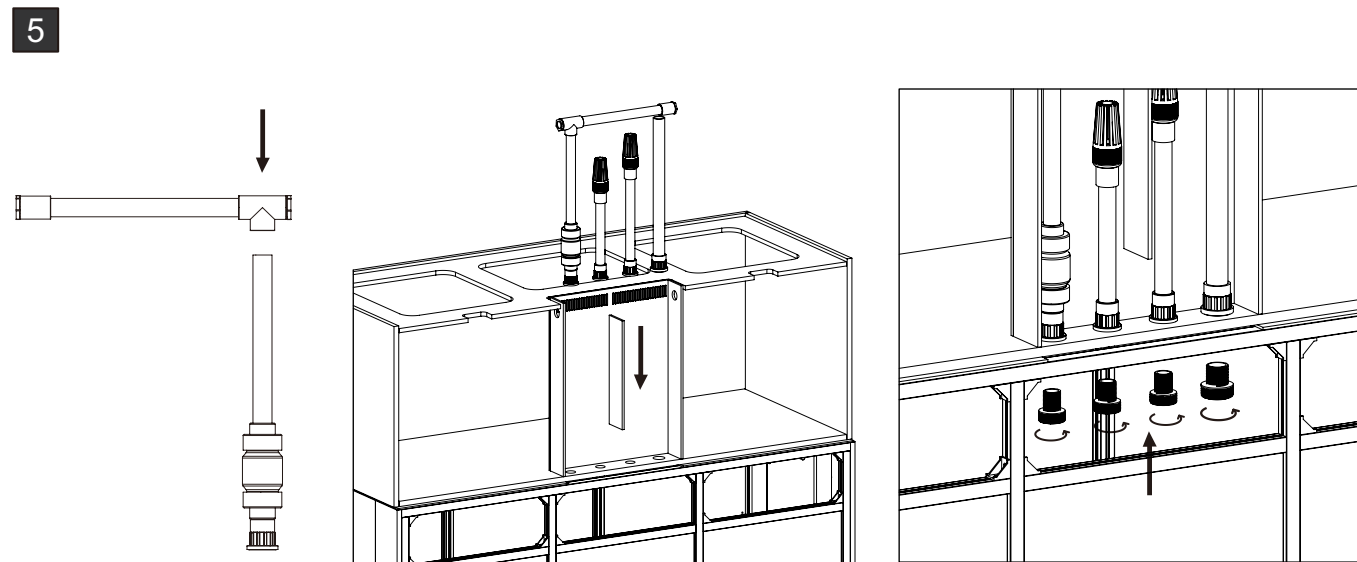
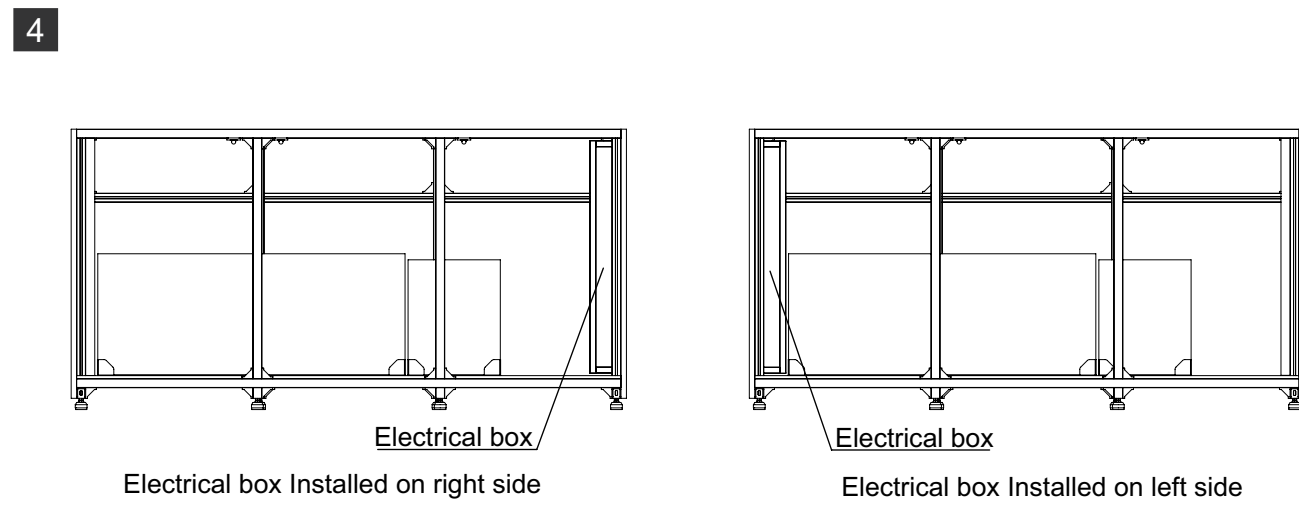
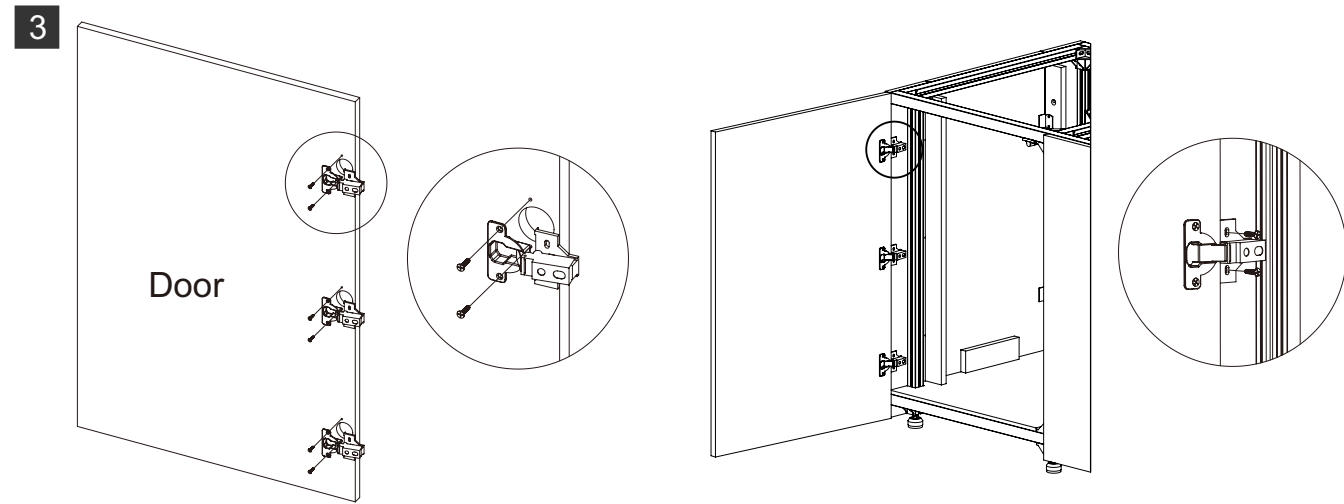
ITEM	QTY	DESCRIPTION	KIT	CODE
M 1	1	Outlet assembly A14	Plumbing Kit for REEF LX	S22PK300
M 2	1	Outlet assembly B25		
M 3	1	Outlet assembly sump side D08		
M 4	1	32/38 Clear PVC Flexible Hose		
M 5	1	Union connector kit (DN25)		
M 6	1	Main drain standpipe H21		
M 7	1	Main drain sump side J37		
M 8	1	Main drain standpipe H22		
M 9	1	Main drain sump side J38		
M 10	1	Emergency overflow standpipe K22		
M 11	1	Emergency overflow sump side L36		

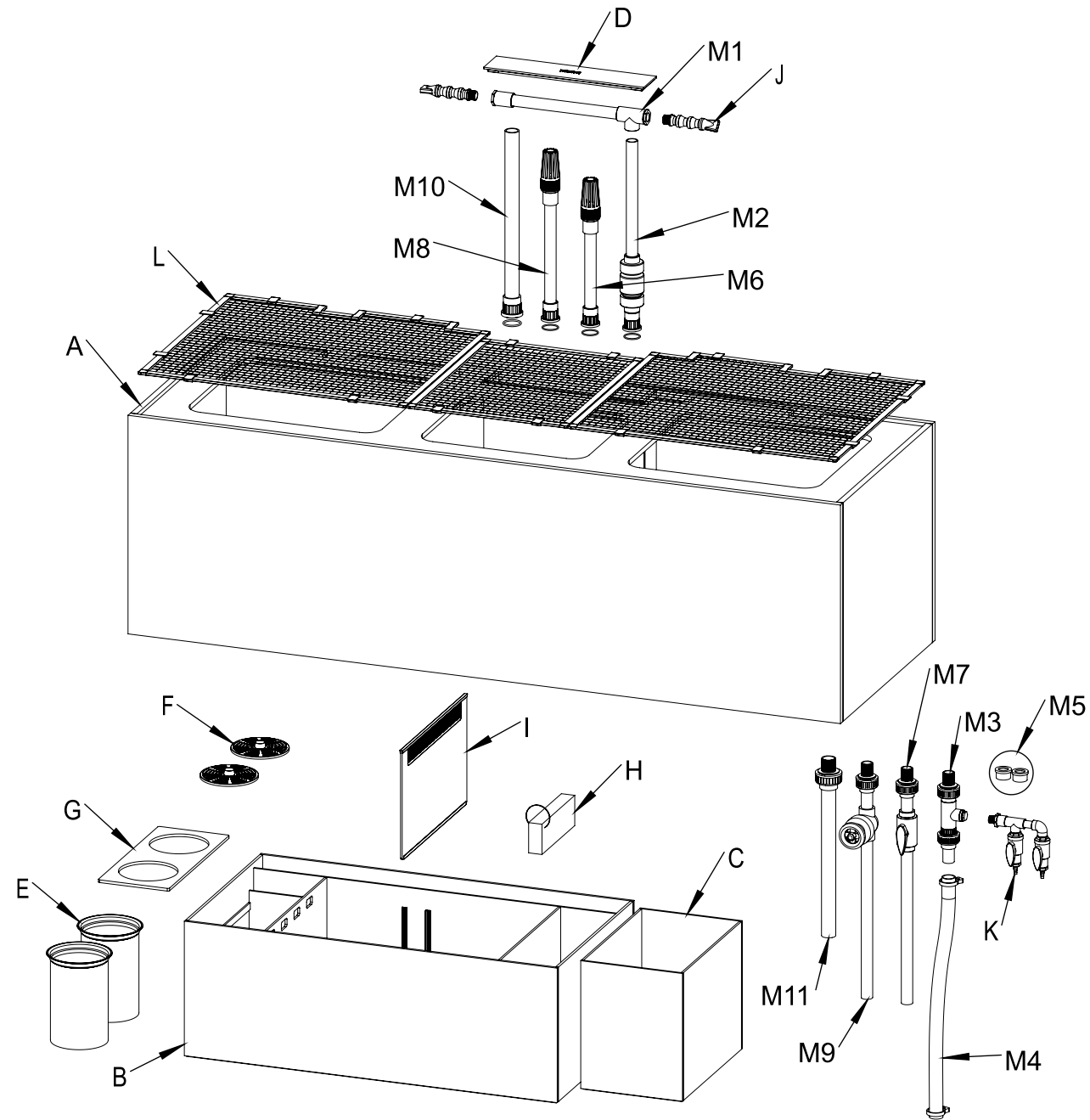
1



2



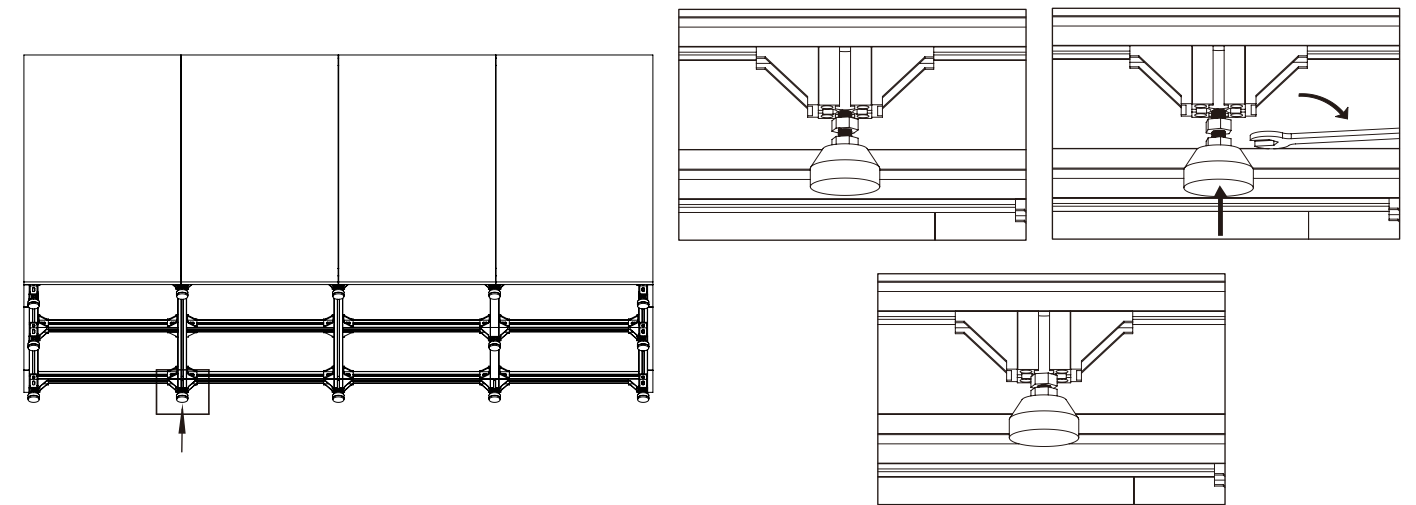




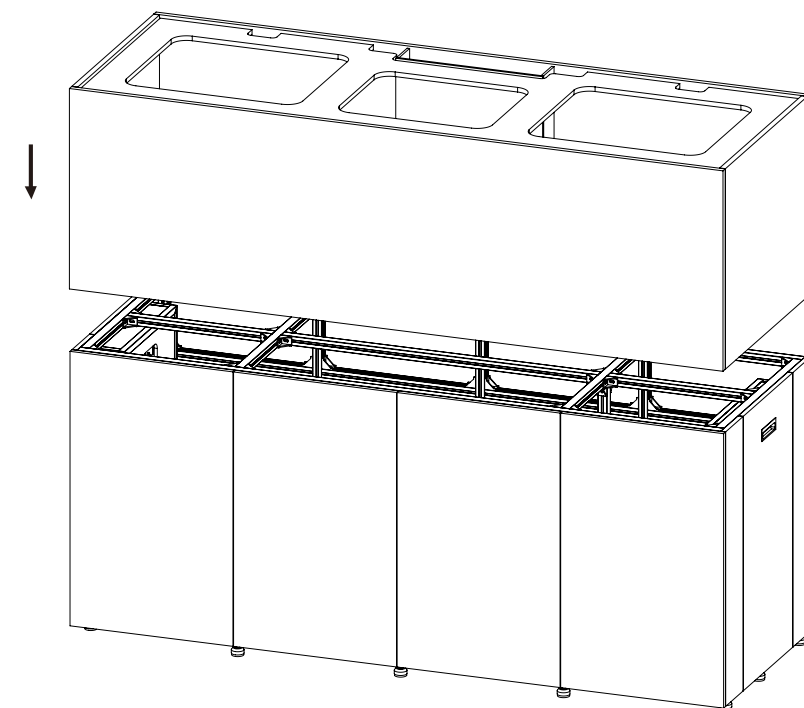
ITEM	QTY	KIT	CODE
A	1	Display Tank REEF LX 330.7	S02GT301
B	1	Glass Sump REEF LX 330.7	S02SP39
C	1	ATO INF REEF 190.5/230.6/INF FRAG 155.5/175.6/PEN 6025/7225/LX 290.6/330.7	S02AT45
D	1	LID-4810	S13YLC02
E	2	FELT 225 Micron -7"	850000451834
F	2	Filter Sock Silencer 7"	810039391013
G	1	Filter Socks Holder	R11YKL62
H	1	Filter Sponge 518*90	S12FS34
I	1	Refugium Baffle 518	S11ZG14
J	2	NZ 20-FX	810039391181
K	1	Manifold 15D	810039391198
L	1	MT REEF LX 330.7	S02MT05

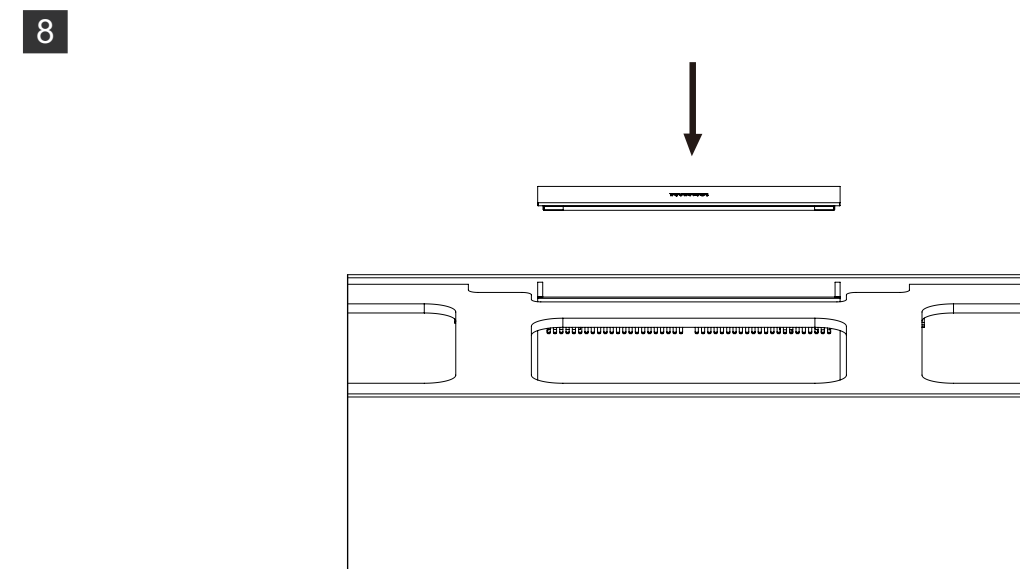
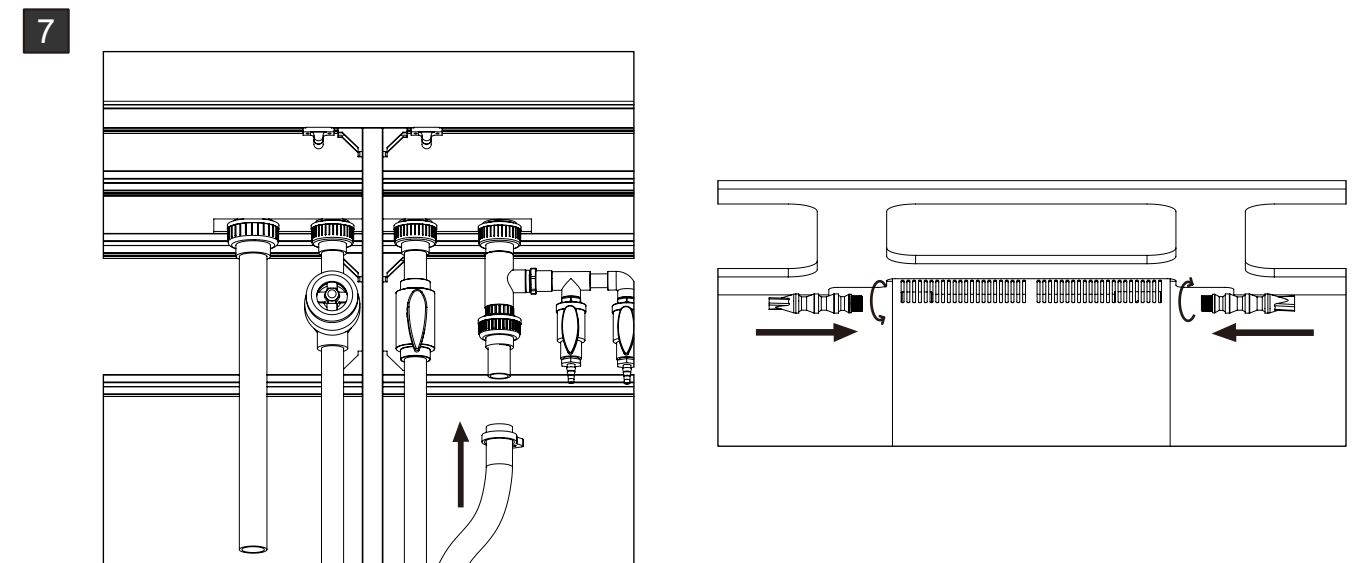
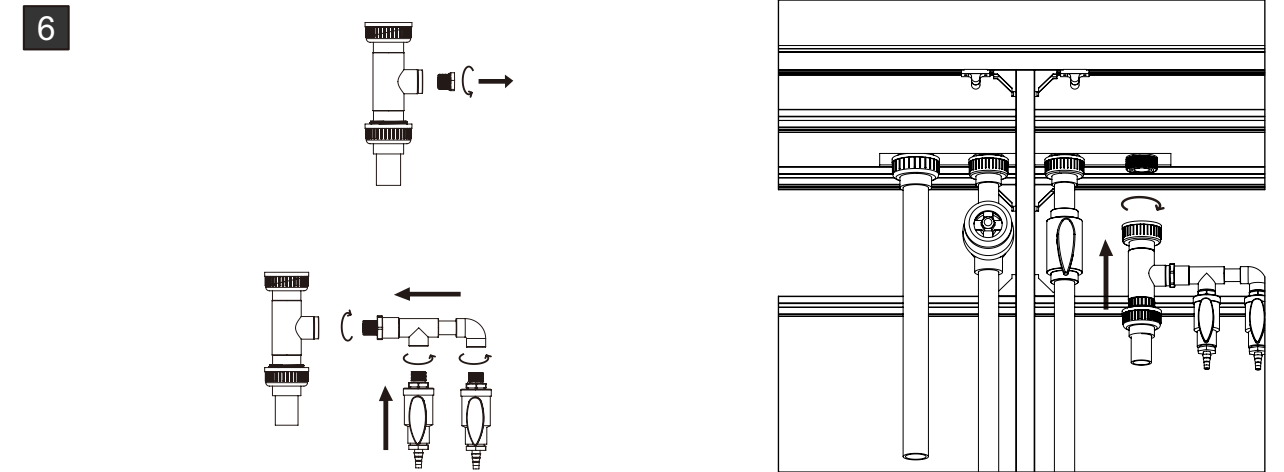
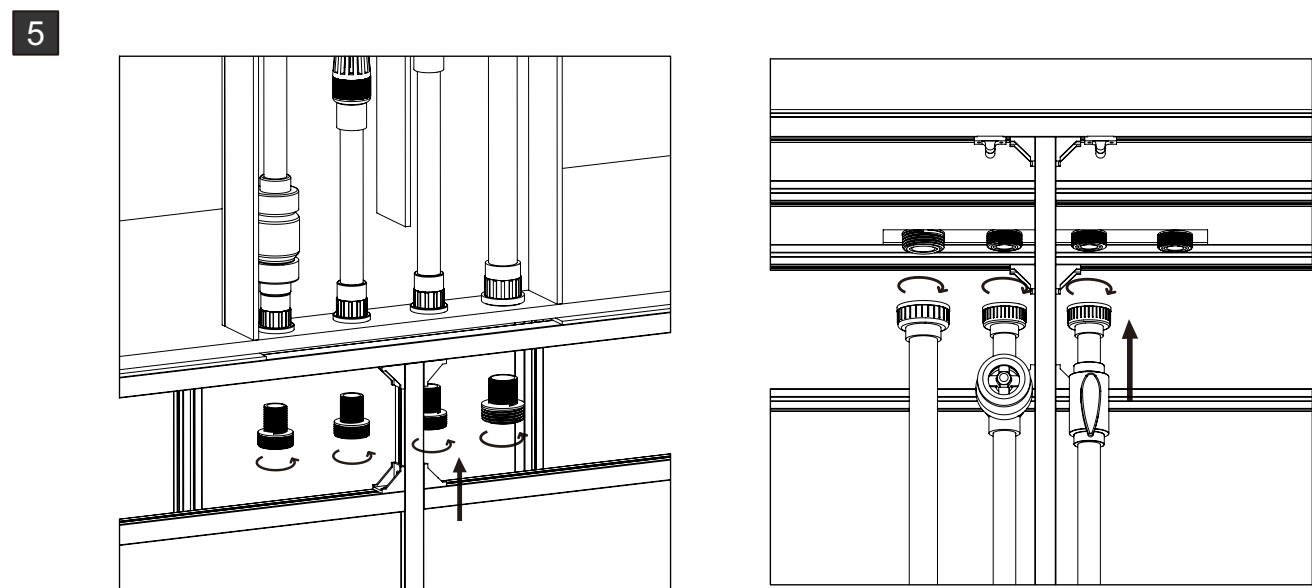
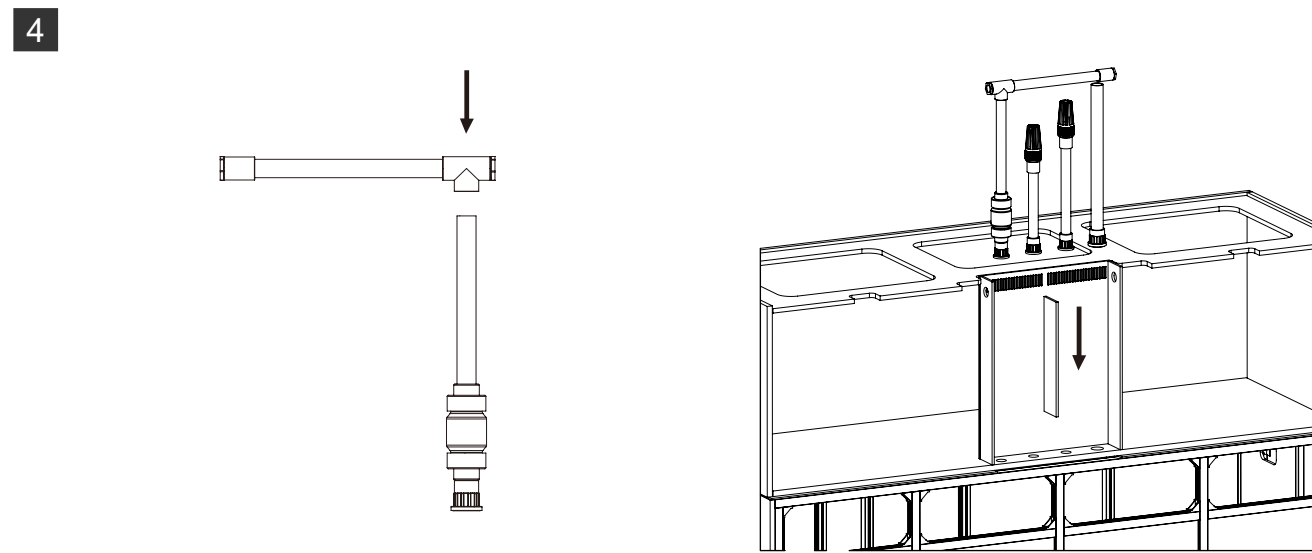
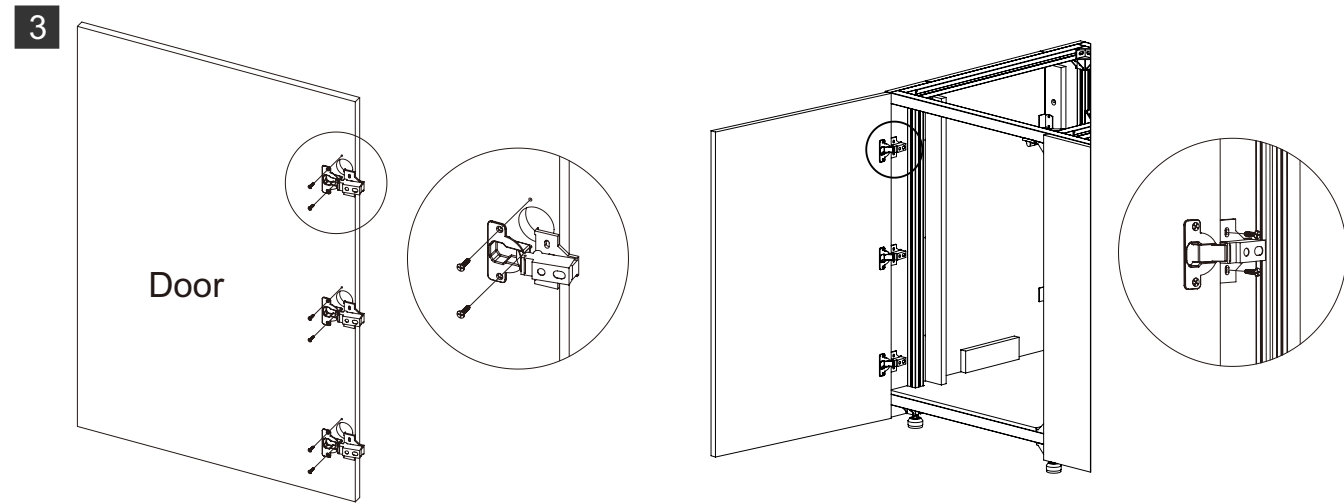
ITEM	QTY	DESCRIPTION	KIT	CODE
M 1	1	Outlet assembly A14	Plumbing Kit for REEF LX	S22PK300
M 2	1	Outlet assembly B25		
M 3	1	Outlet assembly sump side D08		
M 4	1	32/38 Clear PVC Flexible Hose		
M 5	1	Union connector kit (DN25)		
M 6	1	Main drain standpipe H21		
M 7	1	Main drain sump side J37		
M 8	1	Main drain standpipe H22		
M 9	1	Main drain sump side J38		
M 10	1	Emergency overflow standpipe K22		
M 11	1	Emergency overflow sump side L36		

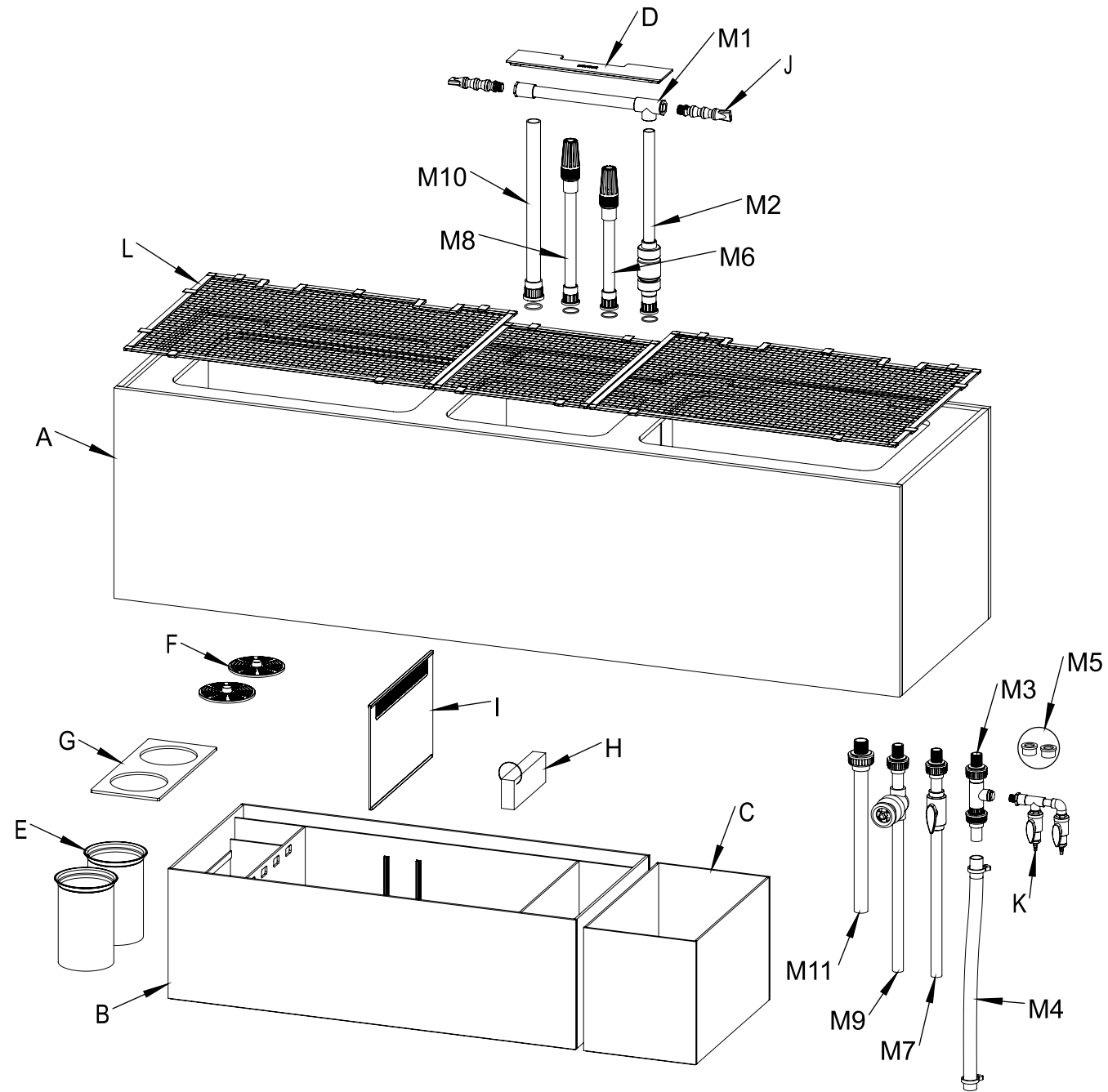
1



2



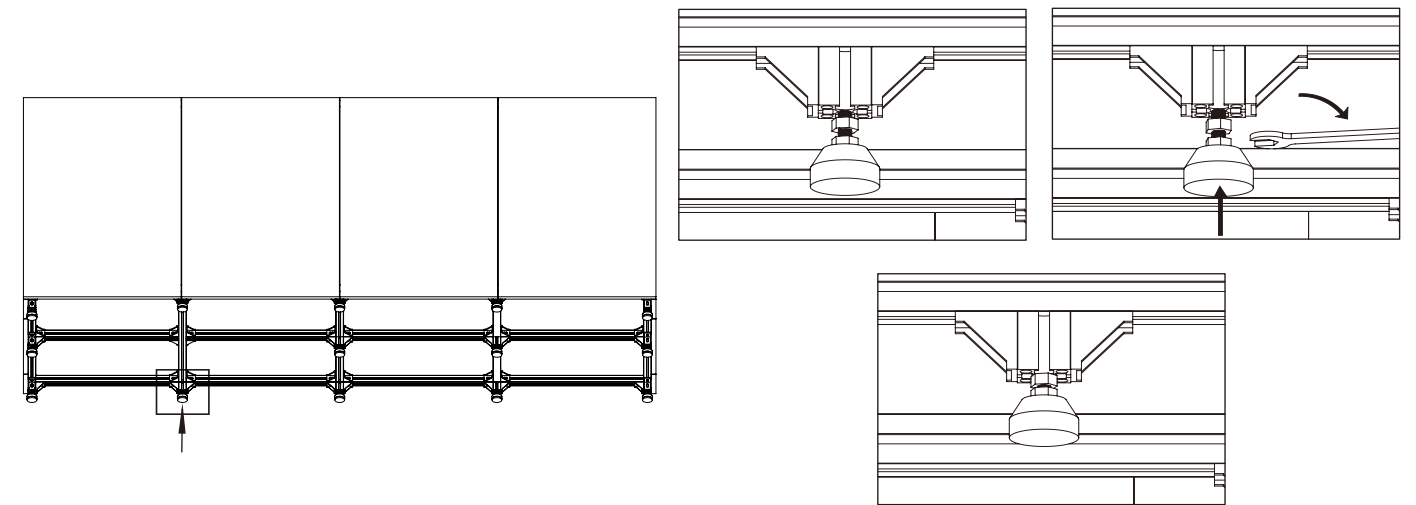




ITEM	QTY	KIT	CODE
A	1	Display Tank REEF LX 380.8	S02GT302
B	1	Glass Sump REEF LX 380.8	S02SP30
C	1	ATO REEF LX 380.8	S02AT49
D	1	LID-4810-C	810039390740
E	2	FELT 225 Micron -7"	850000451834
F	2	Filter Sock Silencer 7"	810039391013
G	1	Filter Socks Holder	R11YKL62
H	1	Filter Sponge 518*90	S12FS34
I	1	Refugium Baffle 518	S11ZG14
J	2	NZ 20-FX	810039391181
K	1	Manifold 15D	810039391198
L	1	MT REEF LX 380.8	S02MT06

ITEM	QTY	DESCRIPTION	KIT	CODE
M 1	1	Outlet assembly A14	Plumbing Kit for REEF LX	S22PK300
M 2	1	Outlet assembly B25		
M 3	1	Outlet assembly sump side D08		
M 4	1	32/38 Clear PVC Flexible Hose		
M 5	1	Union connector kit (DN25)		
M 6	1	Main drain standpipe H21		
M 7	1	Main drain sump side J37		
M 8	1	Main drain standpipe H22		
M 9	1	Main drain sump side J38		
M 10	1	Emergency overflow standpipe K22		
M 11	1	Emergency overflow sump side L36		

1



2

