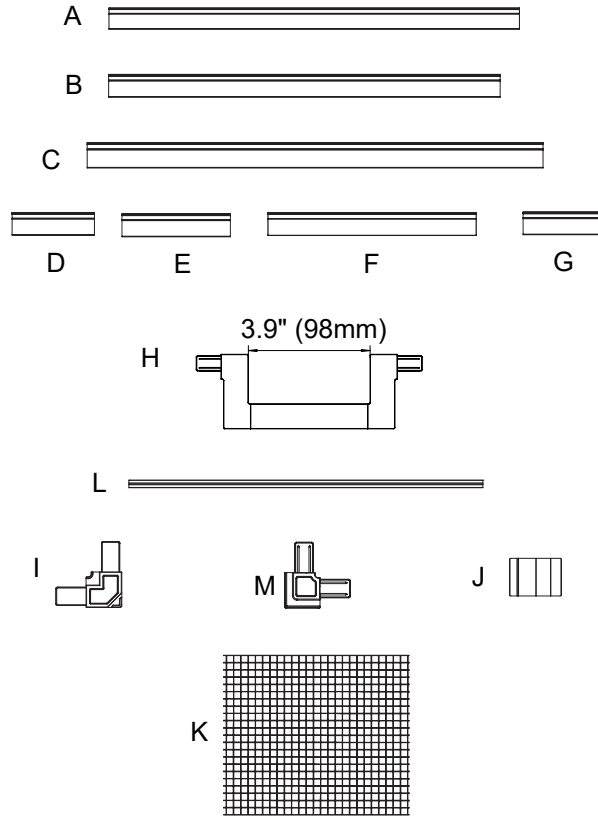


1



CODE	PART	Qty
A	Aluminum Frame – A	2
B	Aluminum Frame – B	2
C	Aluminum Frame – C	2
D	Aluminum Frame – D	2
E	Aluminum Frame – E	2
F	Aluminum Frame – F	2
G	Aluminum Frame –G	2
H	Lighting Mount Cutout	2
I	Outer Corner Connector	10
J	Hanging Clips	12
K	Clear Mesh Netting	2
L	Mesh Spline	2
M	Inner Conner Connector (for Overflow)	2

MT FRAG 125.4	
A	21.6" (549mm) x 2
B	17.8" (451mm) x 2
C	22.3" (566mm) x 2
D	3.5" (88mm) x 2
E	4.1" (104mm) x 2
F	7.5" (191mm) x 2
G	3.4"(85mm) x 2

2

