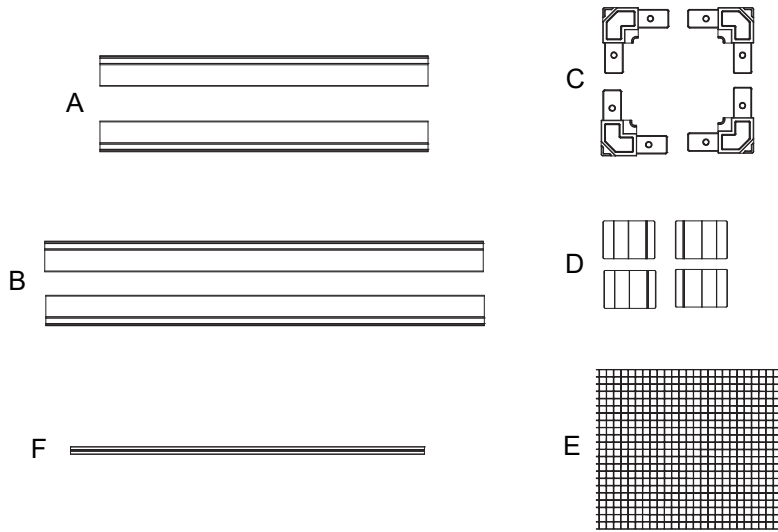
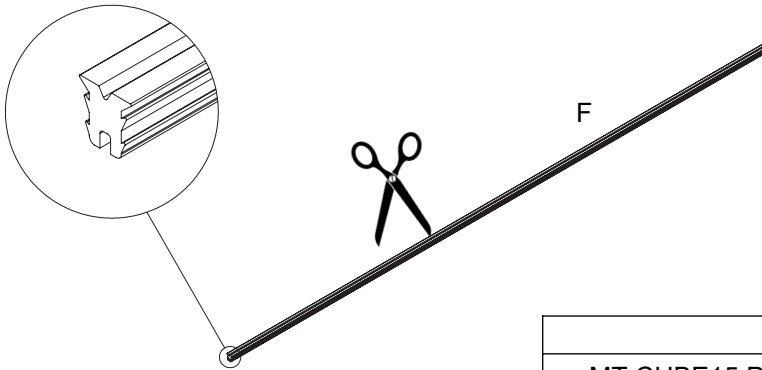


1



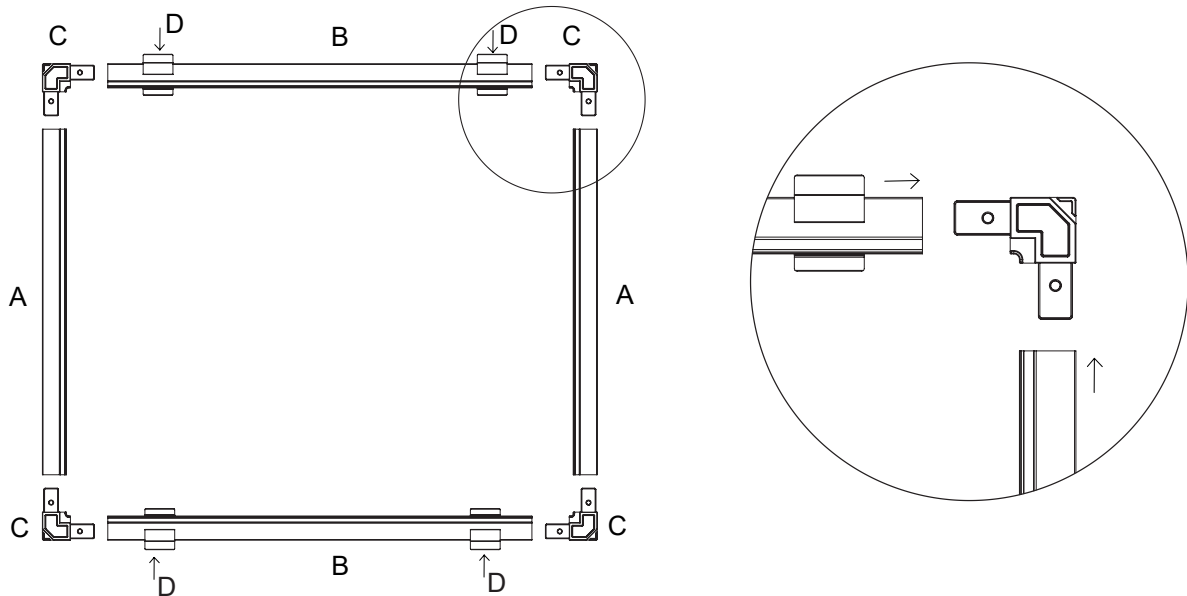
CODE	PART	Qty
A	Aluminum Frame – Width	2
B	Aluminum Frame – Length	2
C	Frame Corners	4
D	Hanging Clips	4
E	Clear Mesh Netting	1
F	Mesh Spline	1

2

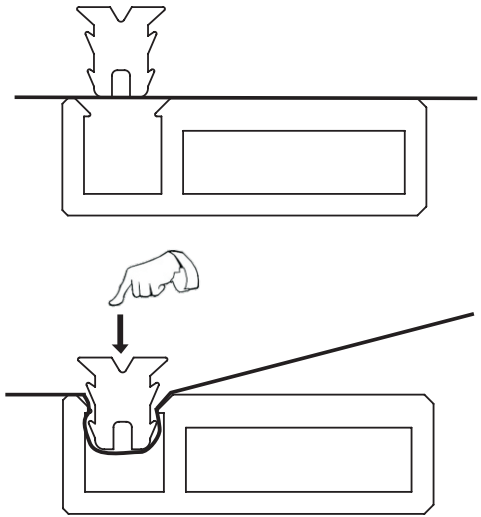
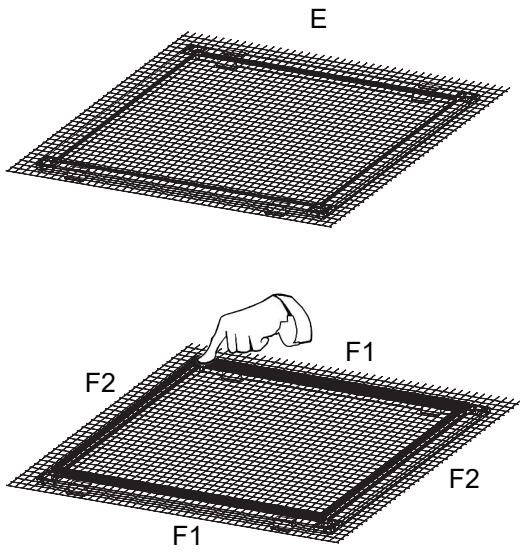


	F1	F2
MT CUBE15 P	14.7"(373mm)*2	11.8"(299mm)*2
MT CUBE25 P	18.5"(471mm)*2	13.7"(347mm)*2

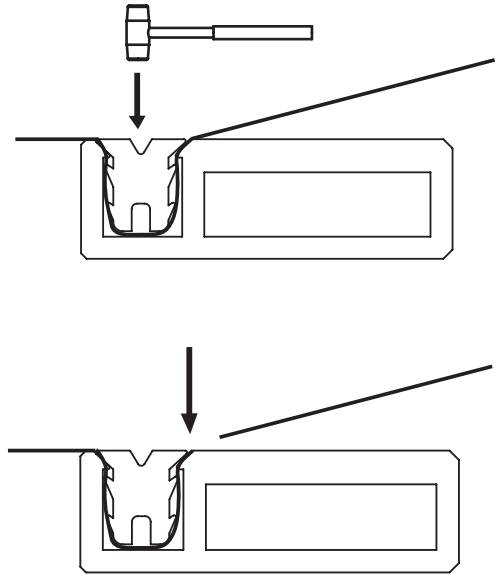
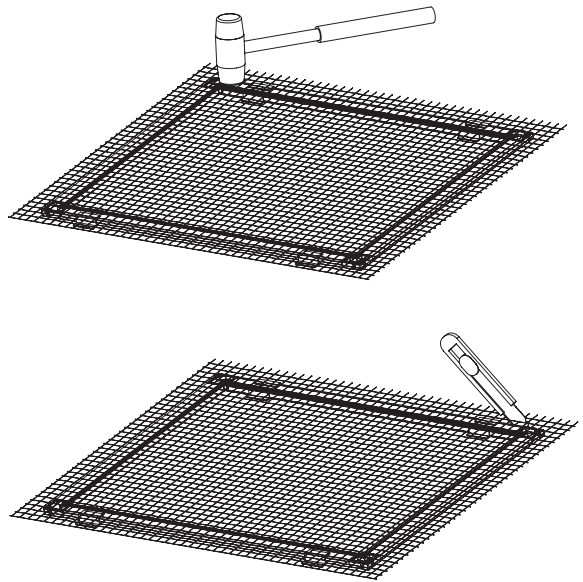
3



4



5



6

