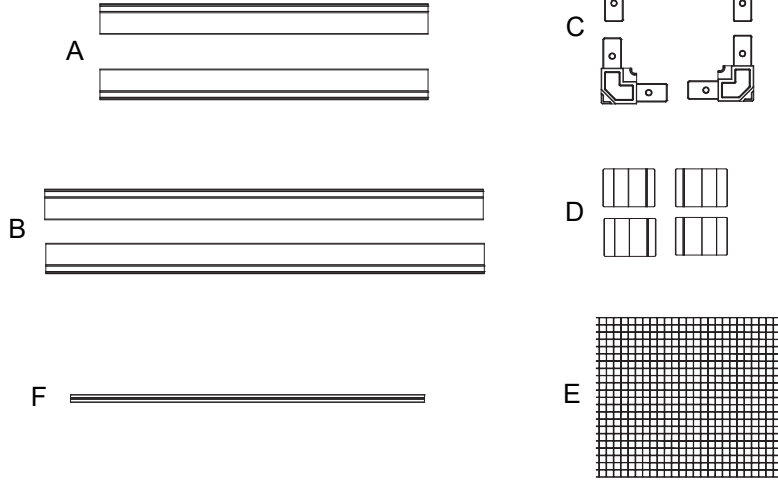
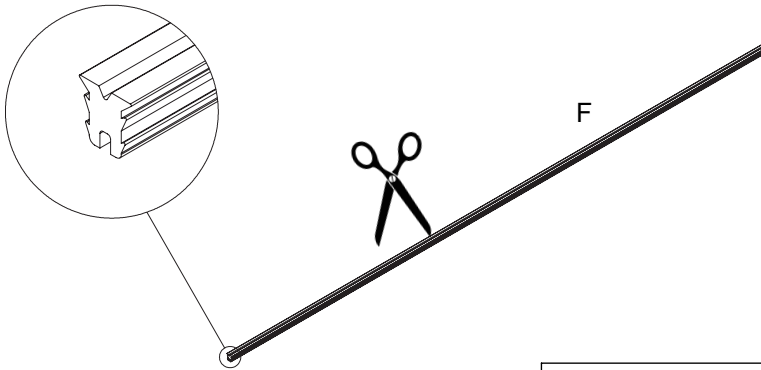


1



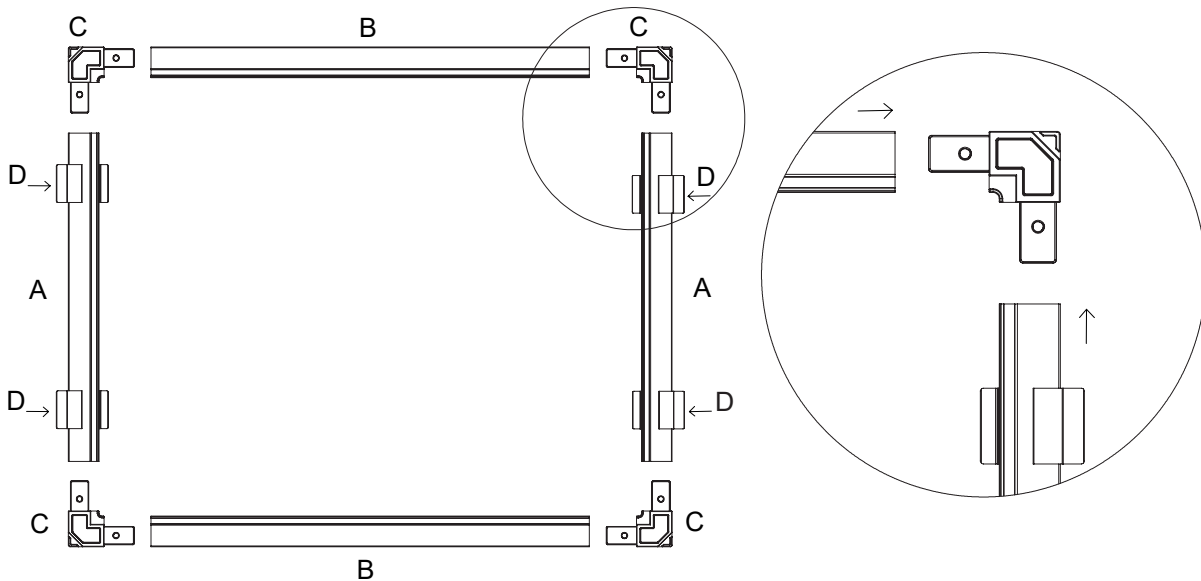
CODE	PART	Qty
A	Aluminum Frame – Width	2
B	Aluminum Frame – Length	2
C	Frame Corners	4
D	Hanging Clips	4
E	Clear Mesh Netting	1
F	Mesh Spline	1

2

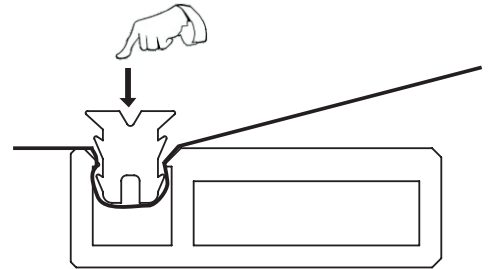
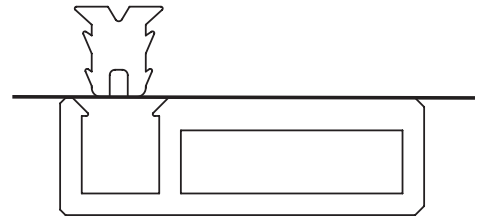
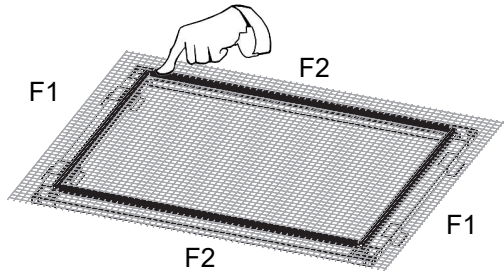
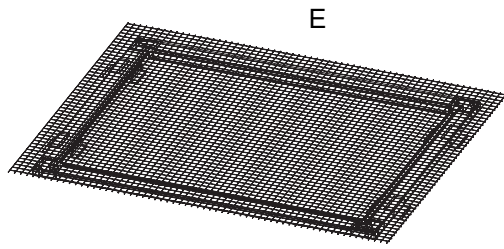


	F1	F2
MT AIO 35.2	12.9"(327mm)*2	21.3"(542mm)*2

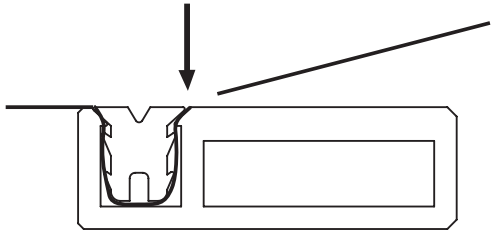
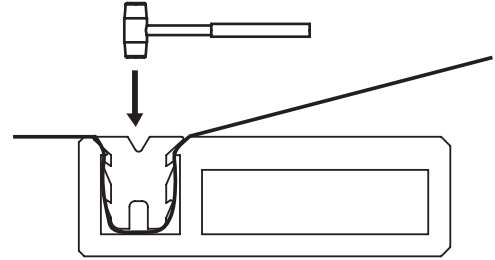
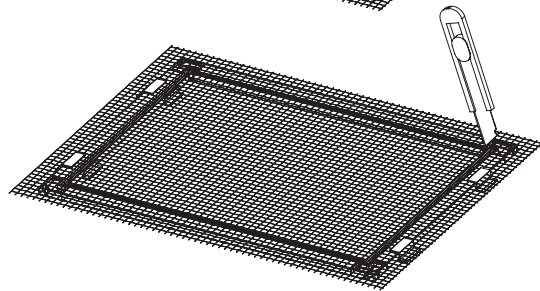
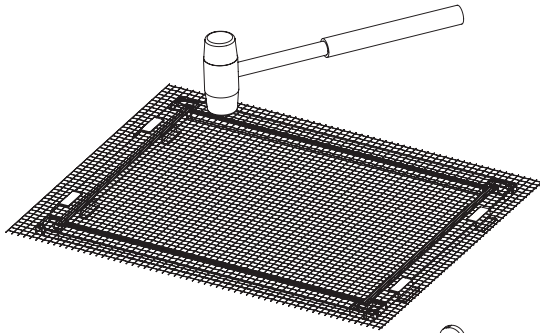
3



4



5



6

