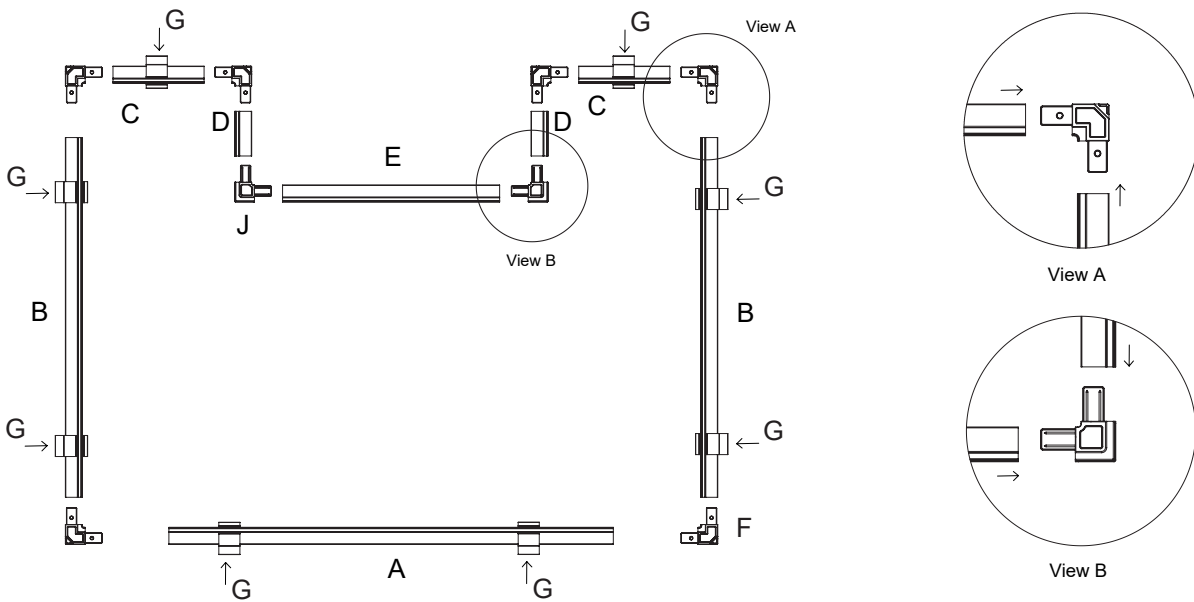


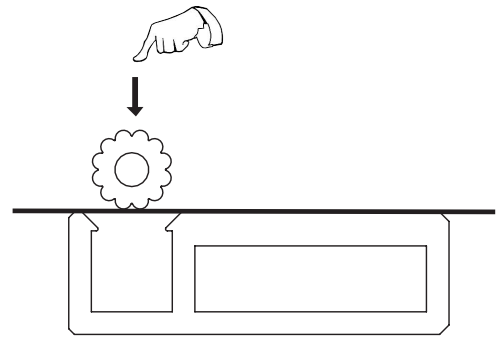
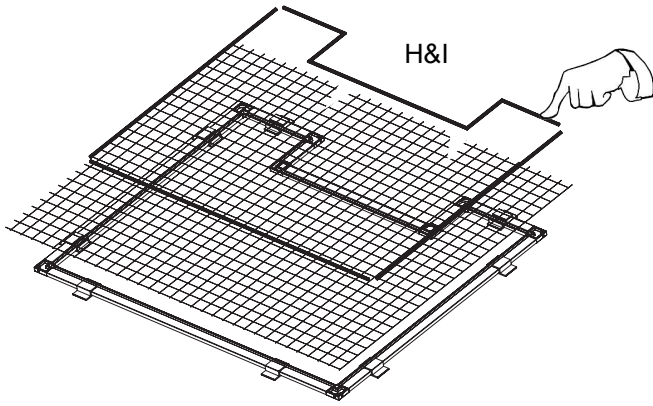
CODE	PART	Qty
A	Aluminum Frame – A	1
B	Aluminum Frame – B	2
C	Aluminum Frame – C	2
D	Aluminum Frame – D	2
E	Aluminum Frame – E	1
F	Frame Corners	6
G	Hanging Clips	8
H	Clear Mesh Netting	1
I	Mesh Spline	1
J	Frame Inner Corners	2

	MT MX/MDX 60.2
A	20.8"(527mm)*1
B	16.8"(427mm)*2
C	4.3"(108mm)*2
D	2.1"(53mm)*2
E	10.1"(257.5mm)*1

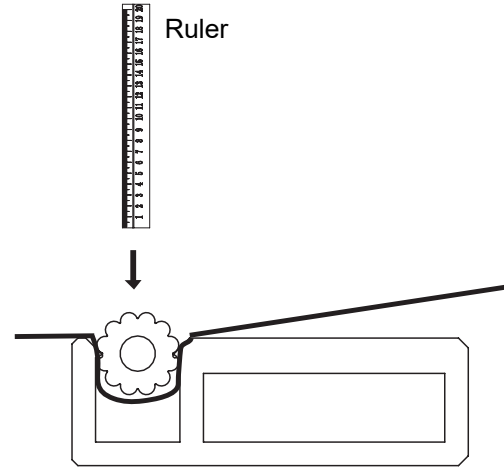
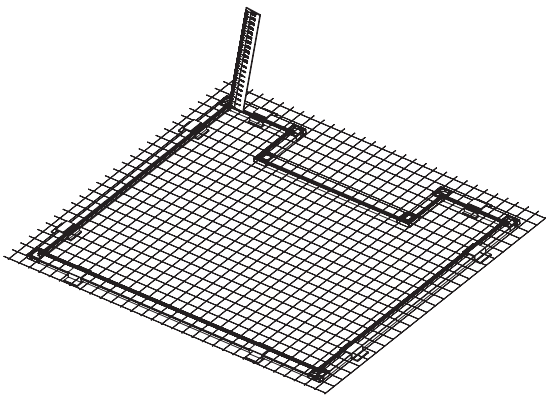
2



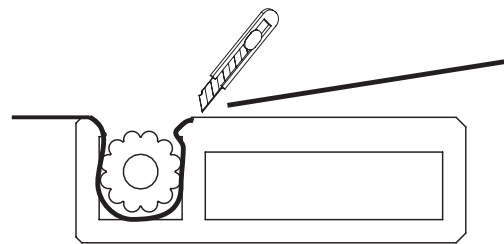
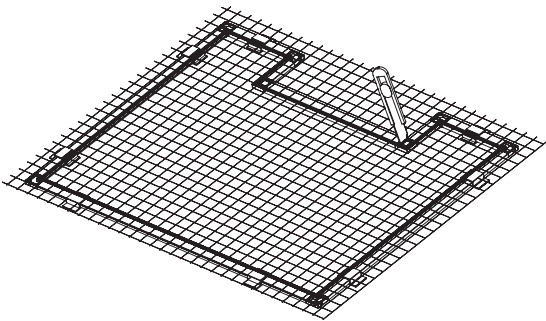
3



4



5



6

