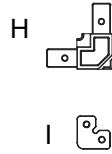
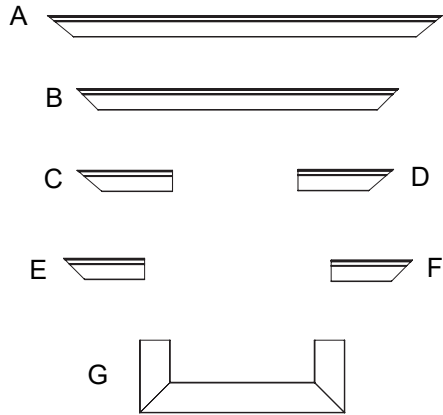


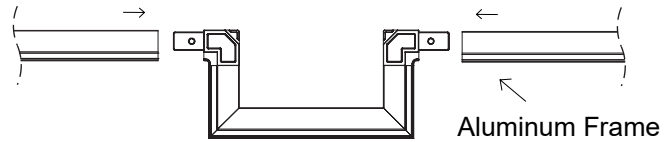
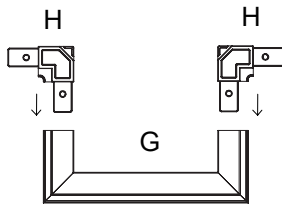
1



CODE	PART	Qty
A	Aluminum Frame – A	1
B	Aluminum Frame – B	1
C	Aluminum Frame – C	1
D	Aluminum Frame – D	1
E	Aluminum Frame – E	1
F	Aluminum Frame – F	1
G	LED Light Mount Cutout	2
H	Frame Corners	4
I	Frame Inner Corners	2

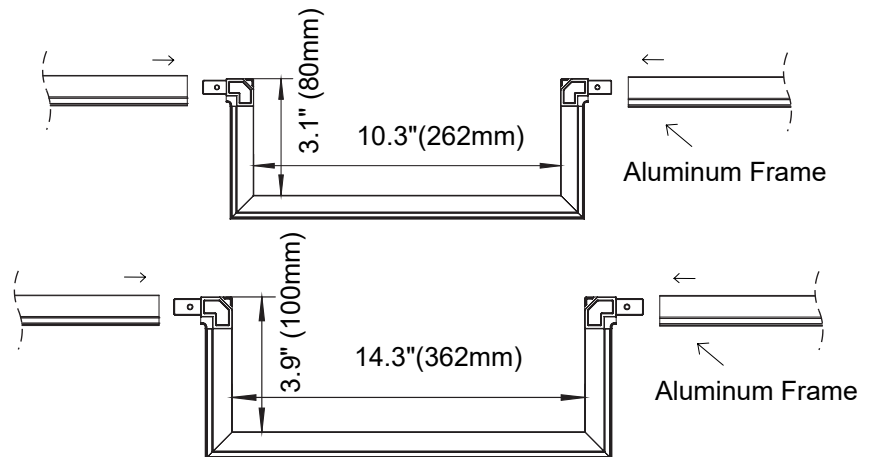
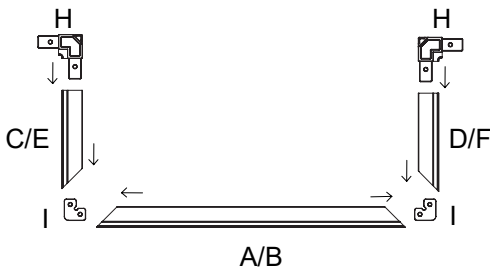
2

LED Light Mount Cutout



3

Overflow Mount Cutout



4

By cutting the following parts, you can change the size of the overflow mout cutout in view 3 to fit your overflow.

