

C600E-USB Instructions



CONTENT

About the user manual.....	2
Outlook and size	2
Button definition.....	3
Function outline	4
Setup outline	5
Common problems and solutions.....	6
Quality & Warranty.....	6
Error code table	7

About the user manual

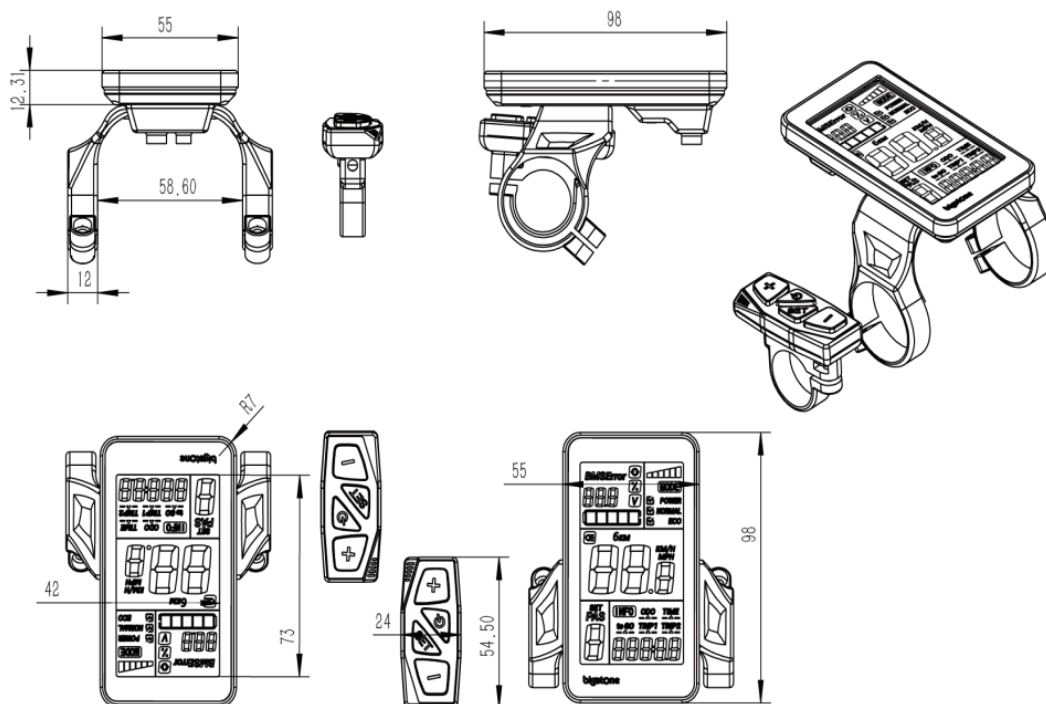
Dear users, in order to operate your electric car better, please read the C600E-USB instrument manual carefully before use. We will tell you every step of the instrument in the most concise language, from hardware installation and setup to normal use of the instrument. At the same time help you solve the confusion and obstacles that may arise.

Outlook and size

Material and color

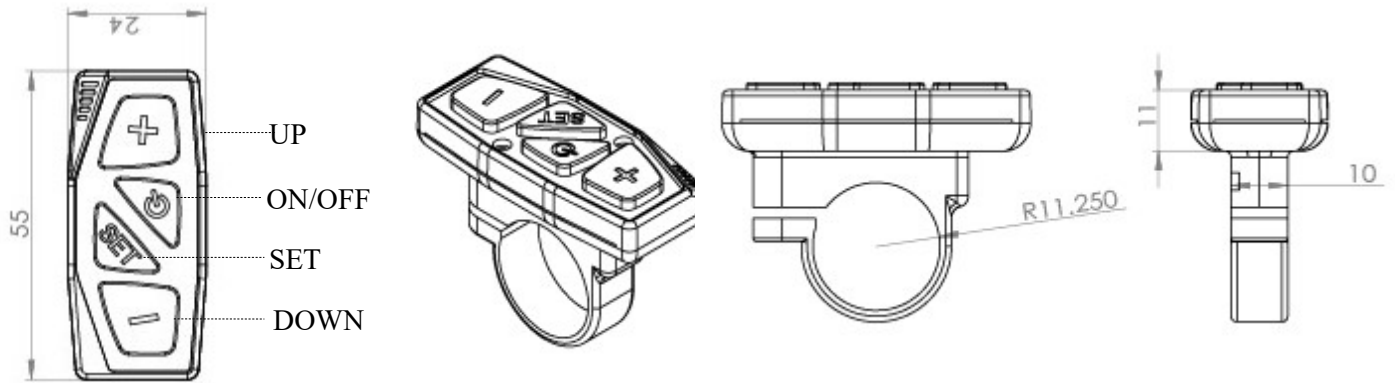
C600E-USB products are made of black ABS material and the bracket is made of nylon material. Under the temperature of -20 to 60°C , the shell material can ensure normal usage and good mechanical performance of the products.

Dimension figure (unit: mm).



Button definition

C600E-USB has four buttons, including ON/OFF、SET、UP and DOWN



Function outline

C600E-USB provides a wide range of functions and indicators to fit the users' needs. The indicated contents are as below.

1. BMS Error
 1.1. BMS display status.
 1.2. Error Display error code.
 1.3. Battery information.
 1.4. Electricity percentage display: This feature is not available by default.
 1.5. Voltage display: This feature is not available by default.
 Display the current battery voltage of how many Volts.

2. Current display:
 The discharging current of the controller currently, each segment is 2A.

3. Riding mode selection:
 Show current riding mode.

4. Electric quantity display:
 Display current electric quantity.

5. Backlight indicator:
 With the power on, click the ON/OFF and turn on the backlight.

6. 6KM:
 Hold the DOWN for 2 seconds to get in 6km work.

7. KM/H&MPH:
 Select KM/H or MPH as the current display unit.

8. Speed display:
 Display the speed at present.

9. Riding information display
 9.1: INFO:
 Default light.
 9.2. INFO TOGO:
 This feature is not available by default.
 9.3. ODO:

The ODO records the driving mileage from using, the accumulated value cannot be cleared.

9.4. TIME:

Display the time when the speed of a single ride is higher than 5KM/H.

9.5. TRIP:

A single mileage display shows the user's single riding mileage, which can be cleared in the setup interface and 500KM automatically cleared.

10. SET:

The user enters the setup interface; the SET icon will be in 1Hz flicker.

11. PAS:

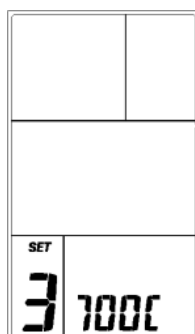
Display the current output power

Setup outline

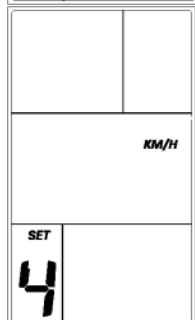
1. Click SET 2seconds enter the general setting interface.



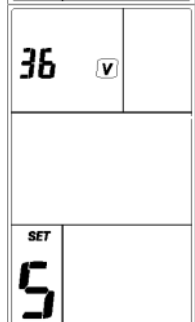
SET1: Reset trip distance to 0.



SET2: Max speed limited setting.



SET3: Wheel diameter setting.



SET4: KM/H&MPH.

SET5: Default voltage selection.

- ※press UP or DOWN to select the wanted parameter, and click SET for 1 second to exit

3. Wire order definition

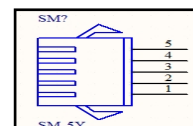
Red: Battery+

Blue: Weak lock

Black: Battery-

Green: UART-RECEIVE (RXD)

White: UART- SEND (TXD)



4. When the riding speed is 0 km/h for 5 minutes, the system will go to sleep automatically.

Common problems and solutions

Q: Why the display is not able to start up?

A: Checking the connector that between display and controller.

Q: How to deal with the error code?

A: Fix it to the maintenance place immediately. If cannot be resolved, you can go to the electric vehicle repair points repair it in a timely manner.

Quality & Warranty

Any quality problems in normal case and in guarantee period, our company will responsible for the warranty

The warranty time is 18 months from date of purchasing.

Other items:

The following items are not belong to warranty scope

1. It can't be demolished.
2. The damage caused by wrong installation or operation.
3. Shell is broken when display is out of the factory.
4. Wire is broken.
5. Force disaster (such as fire, earthquake, etc.) or natural disasters like lightning, etc caused by fault or damage.
6. Beyond Warranty period.

Error code table

The error code is corresponding with the fault definition:

Error code	definition
9	communication display receiving error
21	Current error
22	Throttle error(Start detection)
23	motor no phase position
24	Hall error
25	Brake error(Start detection)