

# WEMA - S5 SERIES

**IMPORTANT WARNING**

*Disconnect the power supply at the source before attempting any wiring. If the tank has been previously filled with fuel, it may need to be de-contaminated before any attempt to drill, machine or weld is made. In most cases the tank will need to be purged of combustible fumes to prevent explosion. If in doubt contact a qualified engineer or fitter for assistance, prior to installing this sender unit.*

THESE INSTRUCTIONS REFER TO WEMA ELECTRIC LEVEL SENDERS WITH THE FOLLOWING CODE S5-E and S5-A.

## INSTALLATION

**Option 1 – Boss Mounting**

- Select a suitable location in the top of the tank for installing the sender. If the tank has internal baffles or obstructions ensure there is adequate room for the float to move up and down the shaft unrestricted.
- Using the correct tools (a hole cutting saw is preferable) cut a 38-42mm diameter hole in the tank.
- Select a suitable weld boss (of compatible material) with 5 pre-tapped screw holes to match the SAE 5 hole flange on the sender unit. The boss should be of a suitable thickness to ensure the screws can be tightened to specification. The screws should not pass through the boss and into the tank. Weld or braze the boss over the hole ensuring that the sender float can pass through without obstruction.
- Using the gasket provided, screw the sender into the tank socket until the seal is made. Do not overtighten. The maximum recommended torque is 30Nm (22 ft-lb).

**Option 2 – Flange Mounting**

- Select a suitable location in the top of the tank for installing the sender. If the tank has internal baffles or obstructions ensure there is adequate room for the float to move up and down the shaft unrestricted.
- Using the correct tools (a hole cutting saw is preferable) cut a 60mm diameter hole in the tank.
- Using the WEMA underside mounting flange FLS-U (stainless steel) assemble the flanges as follows. The flange should be rotated until the gap is aligned with the cable entry. The gasket holes can then be aligned accordingly. Insert one of the five screws provided into the topside flange, through the gasket and into the underside flange. Screw in 2 to 3 turns only.
- Pass the underside flange of the completed assembly through the hole in the tank. Centre the tank unit over the top of the hole. Insert the remaining 4 screws. Tighten the 5 screws evenly until the gasket is clamped between the tank and the sender flange and the seal is made.

## CONNECTION – WIRING

- Disconnect the power supply at the source before attempting any wiring.
- Select a suitable two pole connector or similar (preferably waterproof) for joining the sender wires to the instrument.
- Connect one of the sender unit wires (any one) to the signal supply of the instrument using minimum 1.3mm<sup>2</sup> (16 awg) wire.
- Connect the other wire to the common negative power supply using minimum 1.3mm<sup>2</sup> (16 awg) wire.

## WARRANTY POLICY

Wema's authorised agent warrants this tank sender unit against defects in factory workmanship and materials for a period of 1 (one) year from final point of sale providing the item in question does not exceed the manufacture date by more than 2 (two) years.

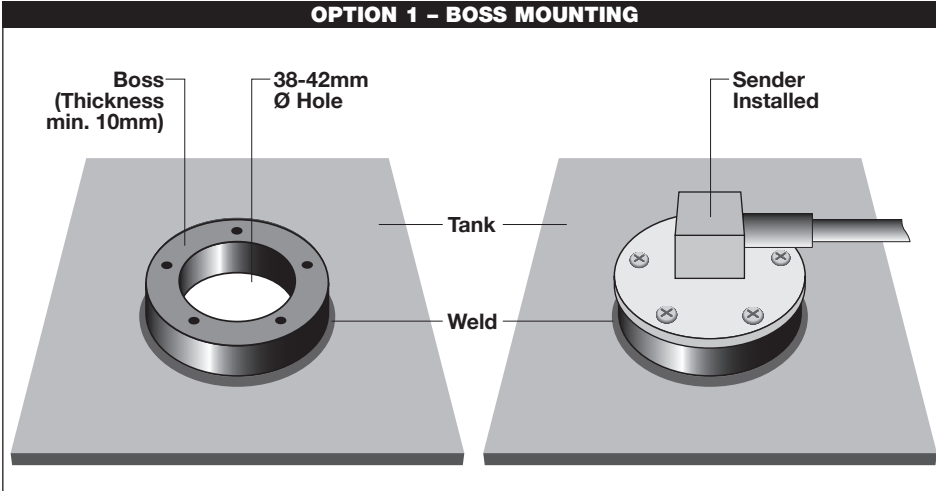
Specific exclusions of this warranty apply where the item in question has been misapplied or used for a purpose for which it is not designed or intended; or altered in any way that would be detrimental to the performance or life of the product; or tampered with by an unauthorised party; or contaminated by liquids other than those intended; or subjected to misuse, negligence, excessive vibration or mechanical abuse; or damaged as a result of incorrect connection or voltage.

On any part or product found to be defective after examination by Wema's authorised agent, the defective merchandise will only be repaired or replaced through the original selling dealer. Wema's authorised agent assumes no responsibility for diagnosis, removal and/or installation labour, loss of equipment use, loss of time, inconvenience or any other subsequent expenses including freight costs.

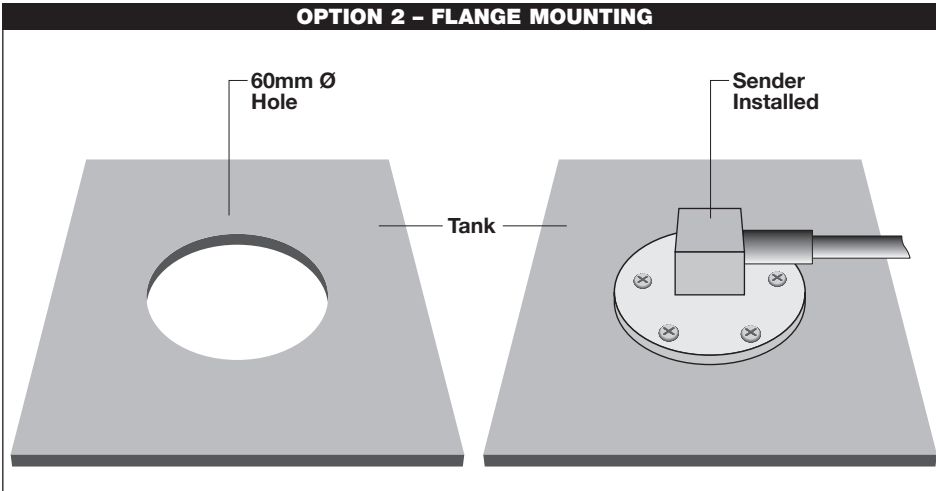
Save and except for the express warranty set out above and to the maximum extent permitted by law, all conditions and warranties which may at any time be implied by the common law, Trade Practices Act, Fair Trading Act or any Other State or Federal Act are excluded. To the extent that these cannot be excluded and where the law permits, Wema's authorised agent liability in respect of any such condition or warranty shall be limited at the option of Wema's authorised agent to the repair or the replacement of the goods or the supply of equivalent goods or refunding the cost of the goods.

### INSTALLATION

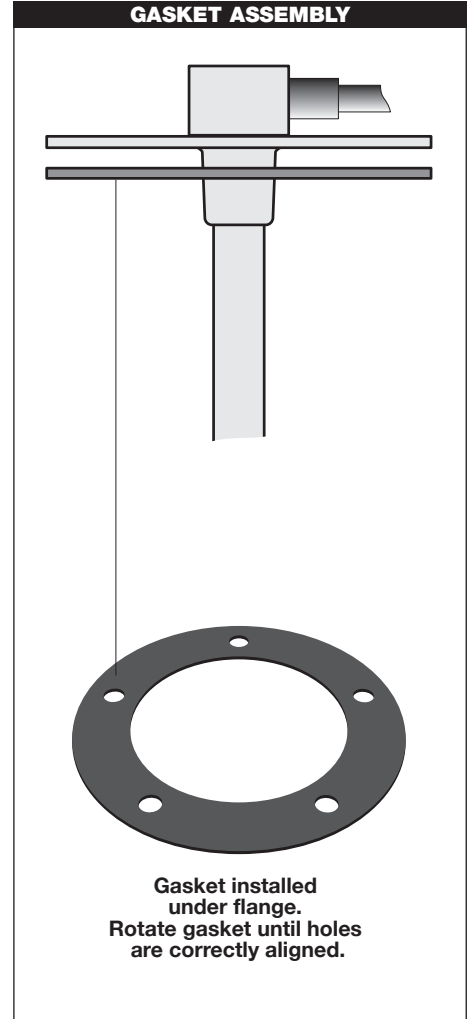
#### OPTION 1 - BOSS MOUNTING



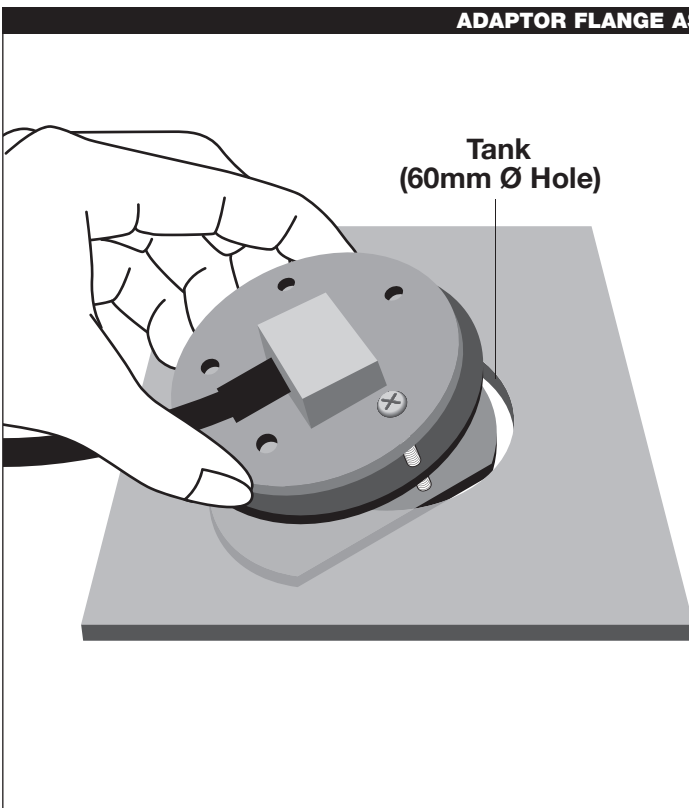
#### OPTION 2 - FLANGE MOUNTING



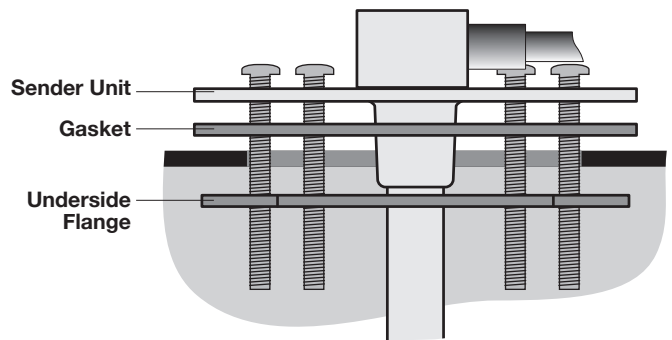
#### GASKET ASSEMBLY



#### ADAPTOR FLANGE ASSEMBLY & INSTALLATION



#### LOOSE ASSEMBLY (UNCOMPRESSED)



#### TIGHTENED ASSEMBLY (COMPRESSED)

