

**FLEETWOOD FOLDING TRAILERS, INC.
INSTALLATION INSTRUCTIONS**

1968B394
May 1998

MODEL NUMBER: 4742A9311 - CAMPER CADDIE

This kit is for use on 1996 to present models.

This Kit Contains:

- 1 - 4746A834 nylon camper caddie bag
- 3 - 4746A862 mounting brackets
- 6 - 4741D9656 rivet

IMPORTANT NOTICE

These instructions are for the use of qualified individuals specifically trained and experienced in the installation of this type equipment. Persons not qualified shall not attempt to install this equipment nor interpret these instructions.

Recommended Mounting Locations:

Interior front or rear end panel of the top assembly between the tent support and the roadside front or curbside rear lift pocket cover. Do not install in roadside rear corner of top.

Before unsnapping and opening the camper caddie, notice how it has been folded and snapped closed. Notice that all the small storage pockets are protected inside the folds, and that the straps on the ends are snapped together to create a carrying strap. This is how the camper caddie should be folded and snapped for storage when packed with clothing.

A. Installation Instructions:

1. Determine desired mounting location for camper caddie storage bag(s) on interior of top assembly.
2. Detach the "female" portions of the three plastic buckles along the top edge of the camper caddie. See Figure 1.
3. Insert the hooked end of each mounting bracket through the slotted opening at the end of the female buckle. See Figure 1.

4. Position and fasten the three buckle/mounting bracket combinations against the front or rear end panel of the top assembly (or both for multiple combinations) as illustrated in Figure 2. Secure using 6 rivets (4741D9656). Be sure to allow clearance between the mounting brackets and the privacy curtain tracks so the privacy curtains will slide properly.

CAUTION: Drill only through the interior of the top assembly using a No. 8 (.188) drill bit for installation of the mounting brackets.

5. Snap camper caddie into place.

WARNING: 50 pounds maximum storage capacity, evenly distributed within caddie storage pockets.

B. Folding the Camper Caddie

1. Lay camper caddie on a clean, flat surface with the small storage pockets facing up.
2. Fold upper end of caddie containing the two large storage pockets over the three medium sized storage pockets located in the center of the bag.
3. Fold lower end of caddie consisting of eight smaller storage pockets over the two large storage pockets folded in Step 2.
4. Pull three short nylon webbed straps over caddie and connect the "E" male ends of the strap to the three female buckles located along the bottom edge of the bag.
5. Connect the two remaining long nylon straps together to form a carrying strap.

FIGURE 1

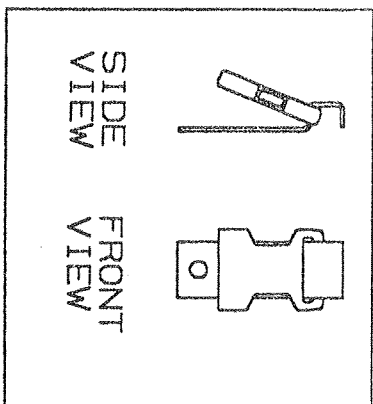


FIGURE 2

1968B394

