



FOLDING TRAILERS
BY FLEETWOOD.

INSTALLATION INSTRUCTIONS

Model Number 4747A6541 - Step Kit Assembly

Note: This step kit is intended to be used on all Destiny series camping trailers.

This package contains:

- a. 1 - 4747A974 Step
- b. 2 - 4750-336 Shim
- c. 6 - 1200B304 3/8" x 3/4" bolt
- d. 6 - 1201B606 3/8" lock nut

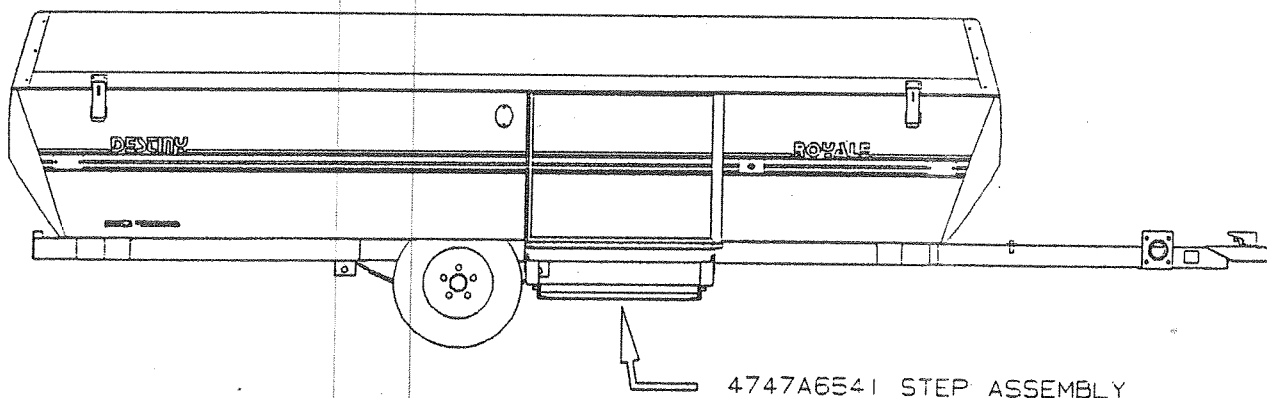
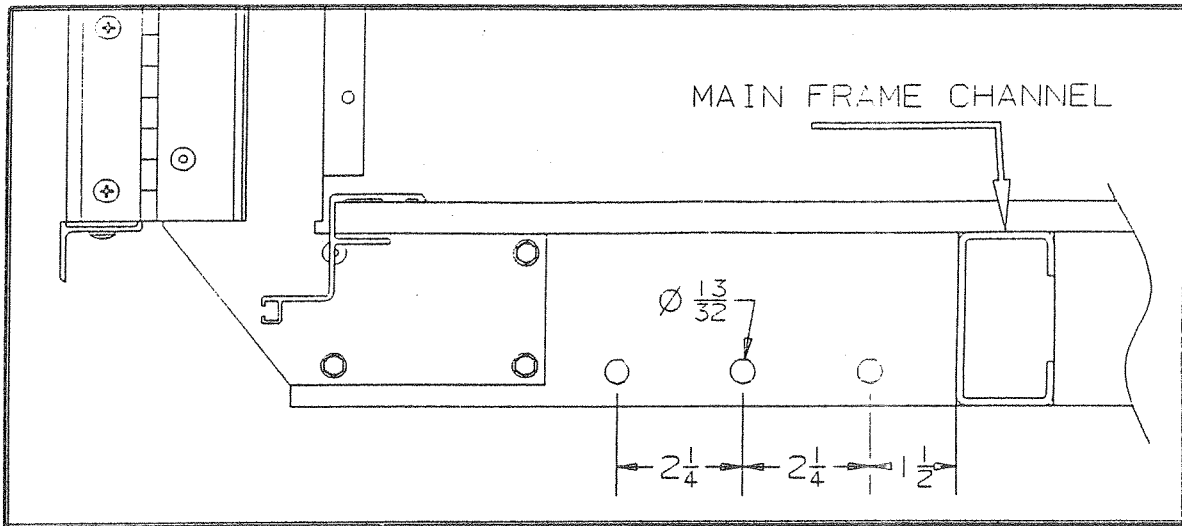


FIGURE 1

INSTALLATION INSTRUCTIONS FOR 1993 DESTINY SERIES MODEL CAMPING TRAILERS

1. Unlatch all four top latches and raise the top assembly approximately 12". Lock the top into the raised position.
2. Unlock the access door handle and rotate the handle clockwise to release the lock arm mechanism. Swing the access door open and lock in position against the curbside (right side) front or rear body panel with the hook provided atop the access door frame.
3. Locate two frame cross channel members directly under the floor in the access doorway opening of the trailer. A series of three pre-drilled holes are incorporated into both the right and left frame cross members. These holes are drilled approximately 3/4" up from the bottom flange of the cross member and 1 1/2" away from the main frame bar at 2 1/4" intervals. See figure 2.



CROSS SECTIONAL VIEW OF FLOOR AND BULKHEAD ASSY.

FIGURE 2

4. Remove the step assembly (4747A974) and corresponding mounting hardware: six lock nuts (1201B606), six bolts (1200B304), and two shims (4750-336) from the kit. Insert the step assembly between the two frame cross members.
5. Align the three pre-drilled holes in each of the two frame cross members with the matching pre-drilled holes in the shims and side mounting brackets of the step.

Note: The shims are installed between the frame cross members and the side mounting brackets of the step.

IMPORTANT: Front shackle bolts, if installed with the threaded end of the bolt shaft towards the step, will not allow for proper alignment of the frame and step mounting holes. Turning the front shackle bolt around will alleviate this problem.

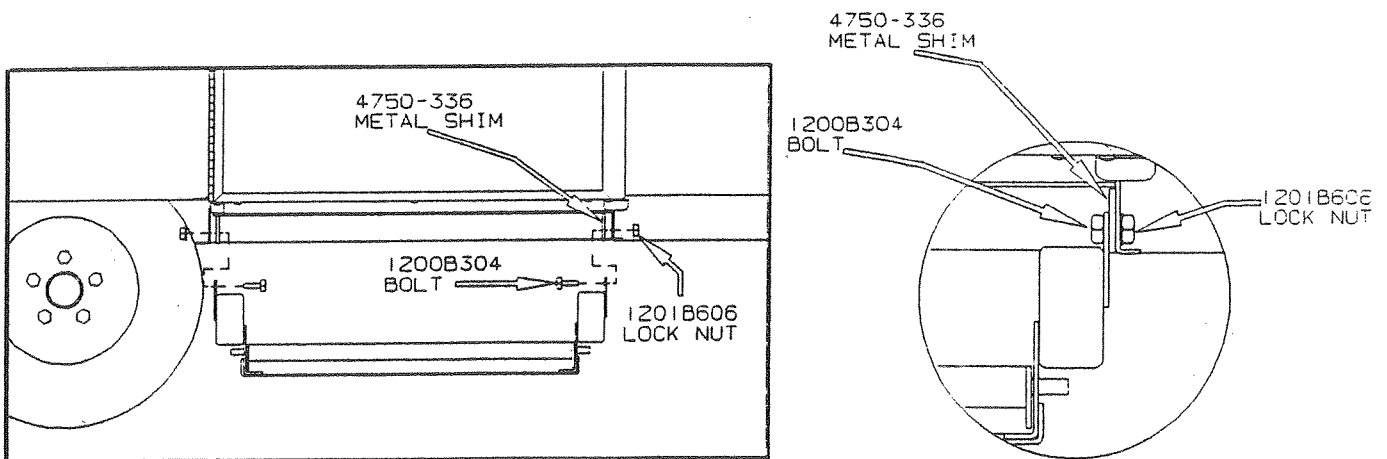


FIGURE 3

6. Fasten the step to the frame cross members by inserting one bolt (1200B304) and lock nut (1201B606) through each of the six pre-drilled holes. Tighten using 9/16" wrenches or ratchet and socket.

Note: Ensure that the step is oriented under the trailer so that the step slide-out extends outward from beneath the trailer body prior to permanently fastening.

STEP OPERATION

1. Grasp the front edge of the slide-out step and raise upward until disengaging the lock rod from the slotted guide channel detents at the rear of the step.
2. With the step in the raised position, pull outward evenly on the step until the lock rod re-engages into the two slotted guide channel detents at the front of the step.
3. Lower the front edge of the step and ensure that the lock rod is properly engaged in both guide channel detents.

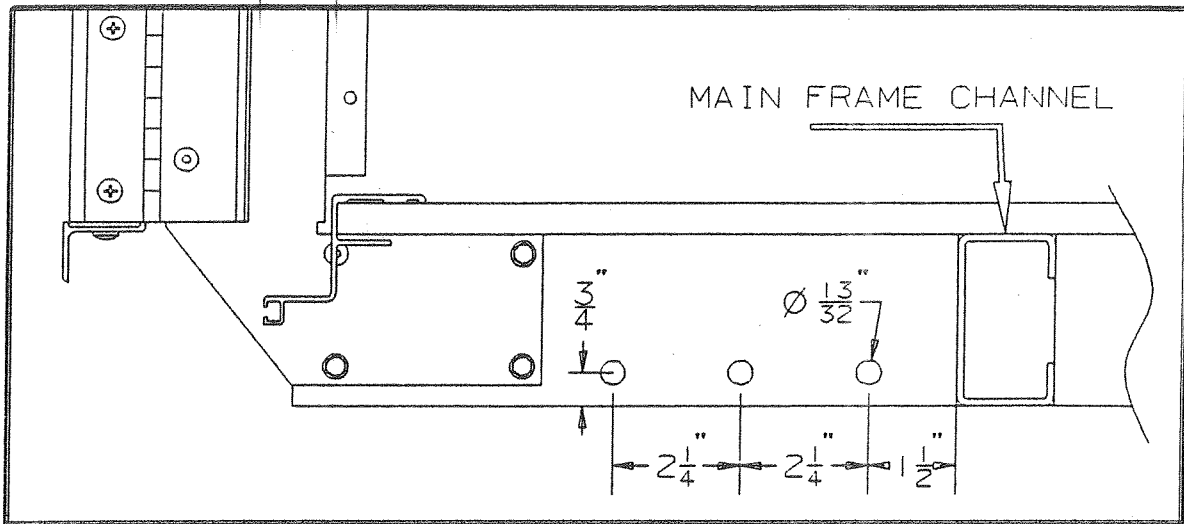
WARNING: Failure to ensure proper engagement of the lock rod in the guide channel detents may allow the step to shift under weight causing personal injury.

4. Reverse steps 1 through 3 for step storage prior to transit.

CAUTION: Failure to return the step to the rear detent position may result in dislodgement of the slide-out step during transit causing severe damage to the step or trailer frame assembly.

INSTALLATION PROCEDURES FOR 1990 - 1992 DESTINY SERIES MODEL CAMPING TRAILERS

1. Unlatch all four top latches and raise the top assembly approximately 12". Lock the top into the raised position.
2. Unlock the access door handle and rotate the handle clockwise to release the lock arm mechanism. Swing the access door open and lock in position against the curbside (right side) front or rear body panel with the hook provided atop the access door frame.
3. Locate the two frame cross channel members directly under the floor in the access doorway opening of the trailer.
4. Locate and drill three holes in both the left and right frame cross members according to the dimensions provided in Figure 4 below.



CROSS SECTIONAL VIEW OF FLOOR AND BULKHEAD ASSY.

FIGURE 4

5. Follow the step attachment procedures in steps 4 through 6 for 1993 model trailers and the step operating procedures as outlined above for remainder of installation.