

AFFORDABLE FAMILY FUN



CAMPING TRAILERS

# INSTALLATION INSTRUCTIONS

MODEL NUMBER 4741-6561 - SPARE TIRE MOUNT, PIONEER SERIES

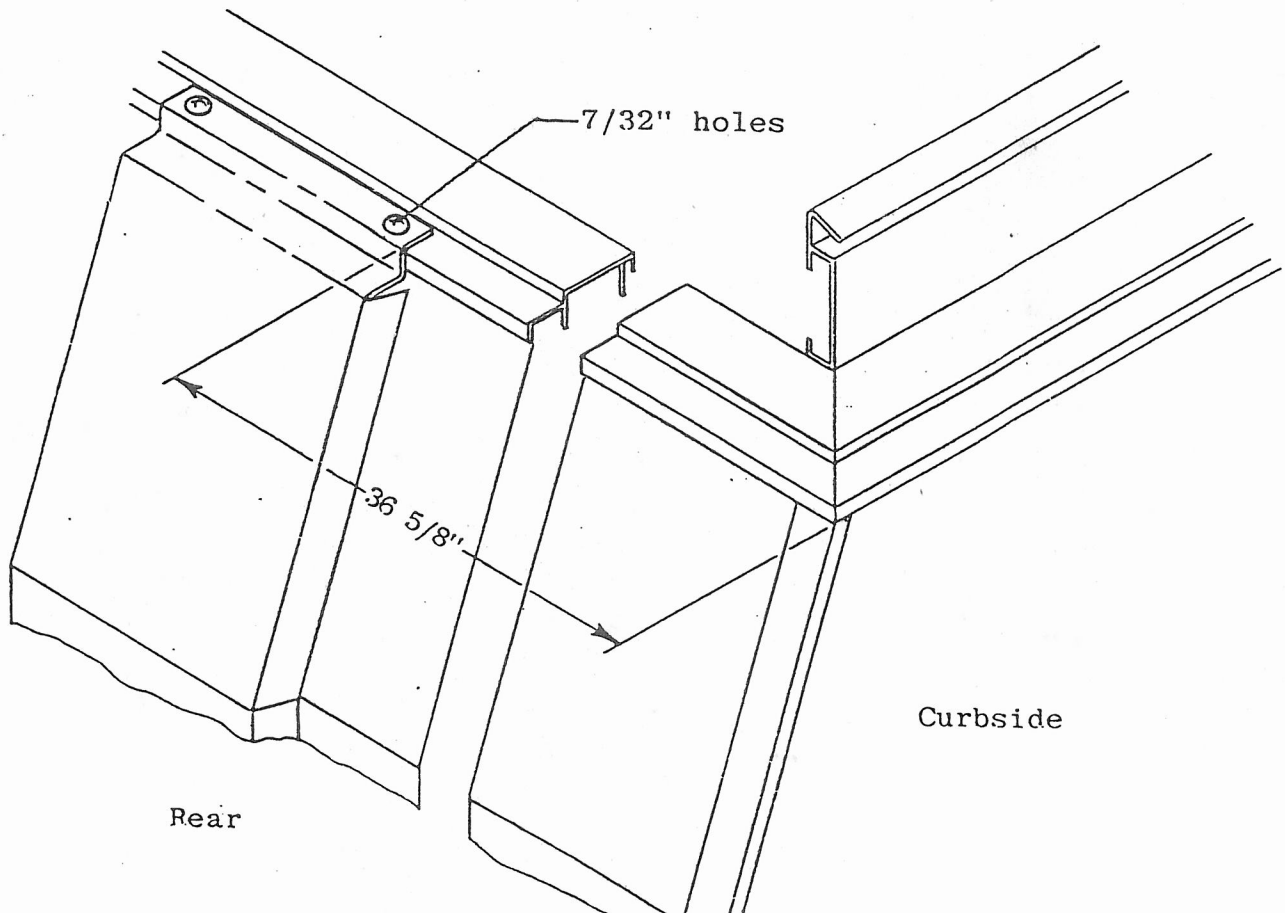
NOTE: This accessory is designed solely to be used in conjunction with the Pioneer series trailers.

This package contains:

- a. 1 - 4741-656 Pioneer spare tire mount assembly
- b. 2 - 4737-958 Tire mount studs
- c. 2 - 1189B1612 Self-tapping screws
- d. 2 - 1201B661 Lock nut
- e. 2 - 1178B161 Self-tapping bolt

How To Install Your Spare Tire Mount:

1. Raise trailer top approximately 12".
2. Using a 3/16" drill bit, drill out the center rivet which fastens the rear body panel to the aluminum body rail.
3. Measure 36 5/8" from the curbside along the rear aluminum rail and mark this spot. See Figure.



Model Number 4741-6561 - Spare Tire Mount, Pioneer Series  
Page 2

4. Using the spare tire mount as a template placed at the 36 5/8" mark, drill two 7/32" holes through the top of the rear aluminum rail and body panel. See Figure.
5. Attach the top of the spare tire mount to the rear aluminum rails by inserting the two phillips-head screws through the holes drilled in step 4 and tighten securely.
6. Remove the center phillips-head screw which fastens the rear body panel to the trailer frame directly beneath the spare tire mount.
7. Push the spare tire mount against the rear body panel and, using it as a template, drill a 7/32" hole through the bottom rear frame member.
8. Install a 1/4" hex-head self-tapping screw in the hole drilled in step 7 and tighten securely.
9. Repeat step 8 for other mounting hole.
10. Screw mounting rods into the mounting bracket.  
NOTE: The end with the flanged nut screws into the bracket.
11. Mount spare tire and secure with the lug nuts provided.