

**MODEL NUMBER 4747A5451  
PIONEER, DESTINY, AND FOUR SEASON SERIES WARDROBE RACK ASSEMBLIES**

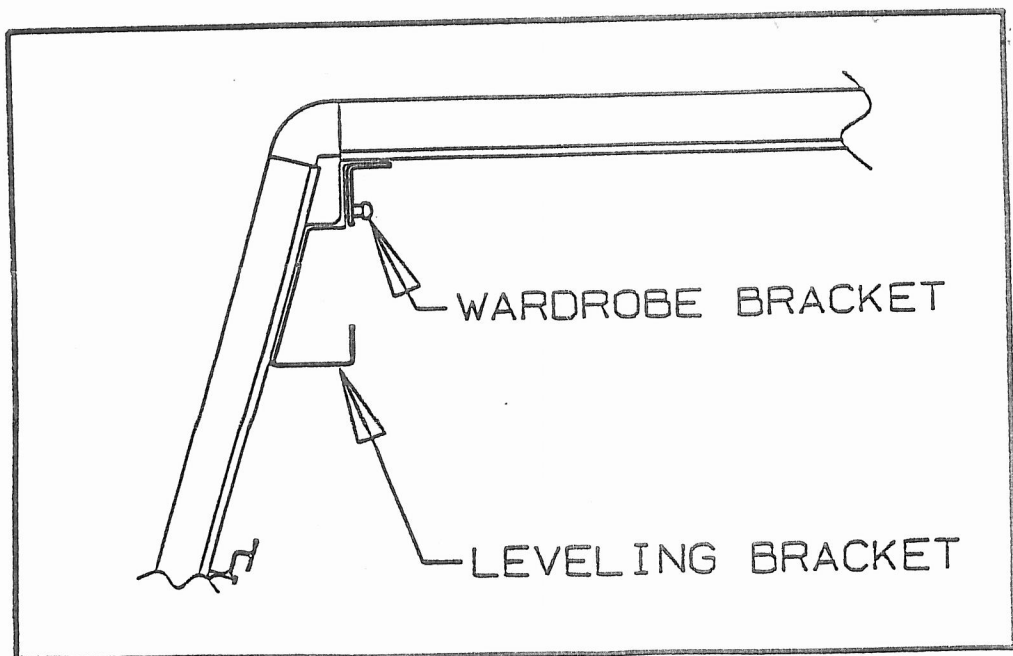
**NOTE:** These instructions are intended to be used on units equipped with 1981 and newer top assemblies.

- This package contains:**
- 1 - Wardrobe rack
  - 2 - Leveling brackets
  - 2 - Wardrobe brackets
  - 10 - Screws
  - 2 - White buttons
  - 2 - Expanda-rivets

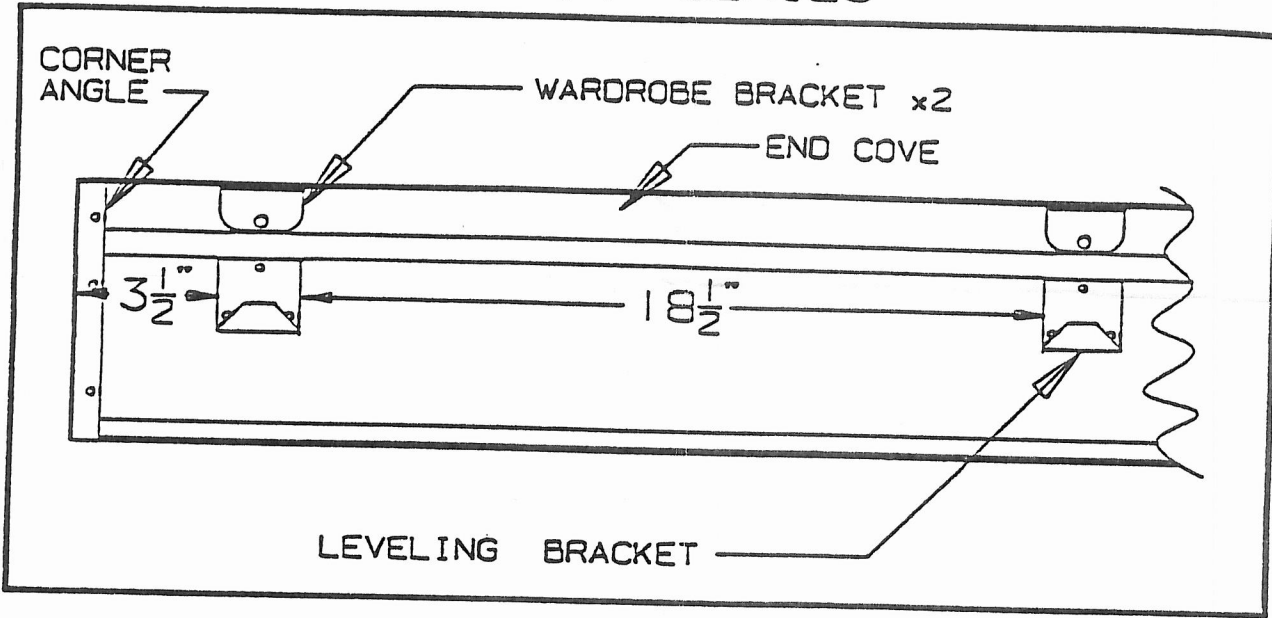
**INSTRUCTIONS**

1. Locate both wardrobe brackets using the following diagrams for proper dimensions. Using the wardrobe brackets as a template, drill two pilot holes for each wardrobe bracket. The pilot holes should be drilled through the interior metal cove only. Attach each wardrobe bracket with the screws that are provided.
2. Locate the leveling brackets directly below each hanger bracket as shown on the following diagrams. Fasten the leveling brackets with the screws provided.
3. Hang the wardrobe rack on the wardrobe brackets. Slight adjustments can be made with the leveling brackets if the wardrobe rack does not sit level.

**NOTE:** Two white buttons are provided in the event this wardrobe rack assembly is to be installed in an older model camping trailer. The white buttons are installed with two expanda-rivets provided. The white buttons should rest against the canvas track. It will not be necessary to install the leveling brackets for this application.



### DESTINY SERIES



### PIONEER / FOUR SEASON SERIES

