

INSTALLATION INSTRUCTIONS

Model Number 4733G6441 - Americana Series Wardrobe Rack Assembly

Note: These instructions are intended to be used on units equipped with 1989 and newer Americana top assemblies.

This Package Contains:

- a. 1 - 4733E644 Wardrobe rack
- b. 2 - 4747A696 Wardrobe brackets
- c. 4 - 1203C875 Rivets
- d. 78" - 406-04-000-20 Vinyl extrusion

INSTRUCTIONS

1. Locate the two wardrobe brackets.
2. Remove the vinyl trim cover from the front cove molding.
3. Using the two wardrobe brackets as a template, drill two pilot holes per bracket through the cove molding. Locate the brackets as shown in Figure 1.

Note: Brackets must be positioned 1/2" from edge of cove at locations shown below.

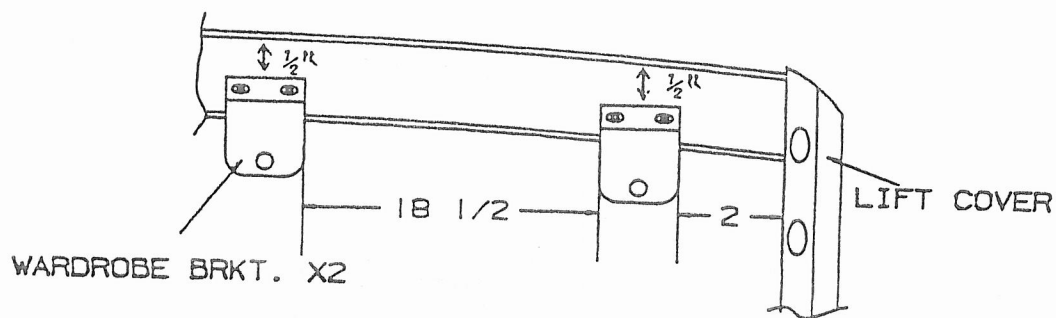


FIGURE 1

4. Fasten the brackets to the cove molding with the rivets provided.
5. Notch or cut the cove molding vinyl trim to fit around the wardrobe brackets and refit the trim into the cove molding. See Figures 2 and 3.

406-04-000-20
VINYL EXTRUSION

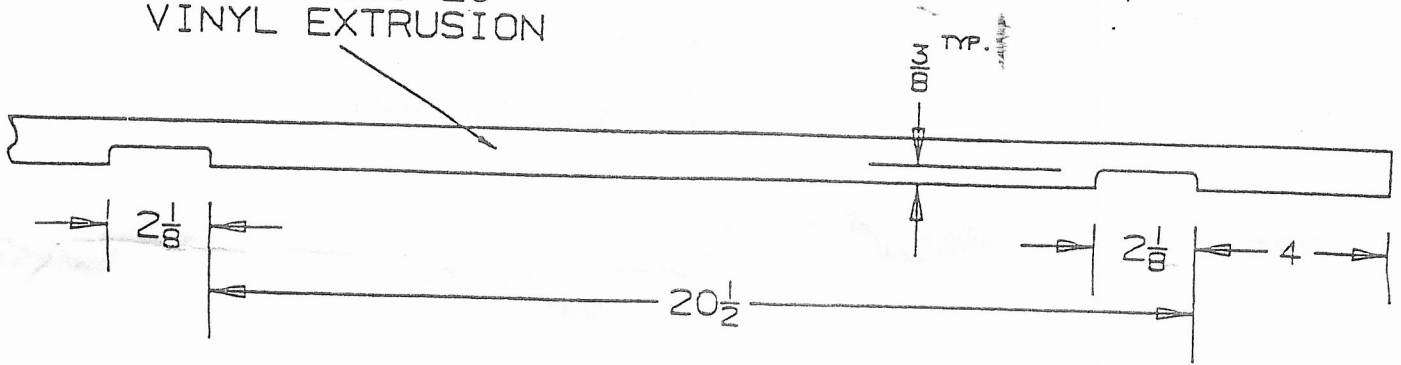


FIGURE 2

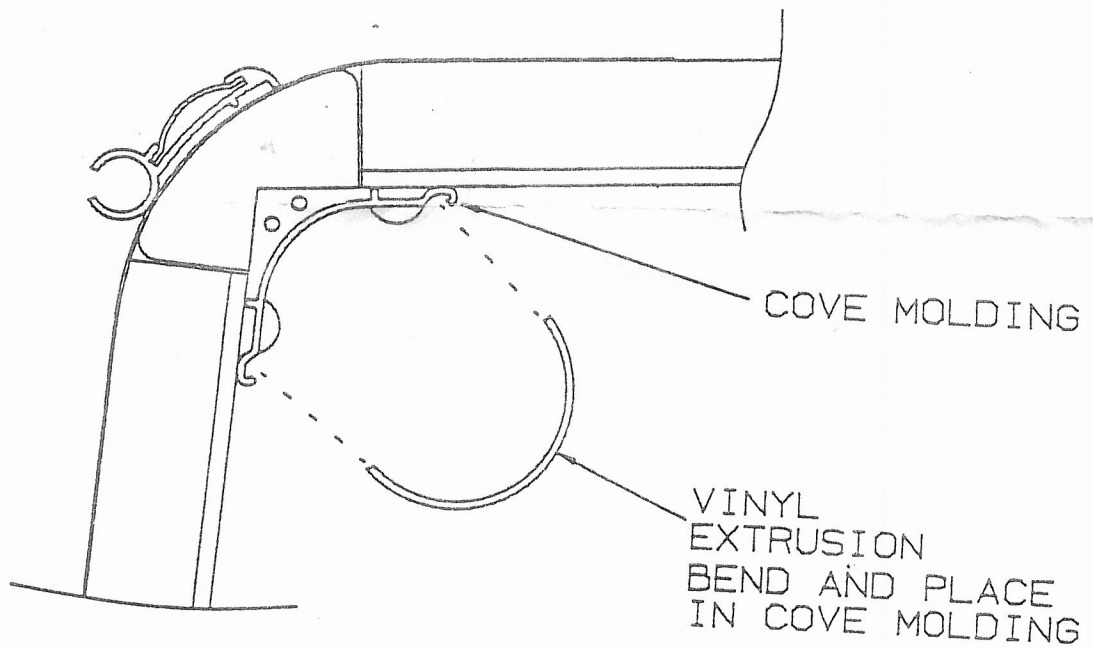


FIGURE 3