

FLEETWOOD FOLDING TRAILERS, INC.
INSTALLATION INSTRUCTIONS

1968A443
April 1998

PART NUMBER 4753-6771 - MOLDED SPARE TIRE COVER

For Use On: 1996 through 1998 Grand Tour Series Models
1999 Grand Tour Elite Series Models

This kit contains:

- | | | | |
|---|---|----------|--------------------|
| 1 | - | 4753-365 | Top keeper bracket |
| 1 | - | 1121C161 | Screw |
| 1 | - | 4732-118 | Grommet |
| 3 | - | 4733D060 | Arctic white rivet |
| 1 | - | 1202B026 | Washer |
| 3 | - | 4741B965 | Expansion rivet |
| 1 | - | 4753A366 | Tire cover |

IMPORTANT NOTICE

These instructions are for the use of qualified individuals specifically trained and experienced in the installation of this type equipment. Persons not qualified shall not attempt to install this equipment nor interpret these instructions.

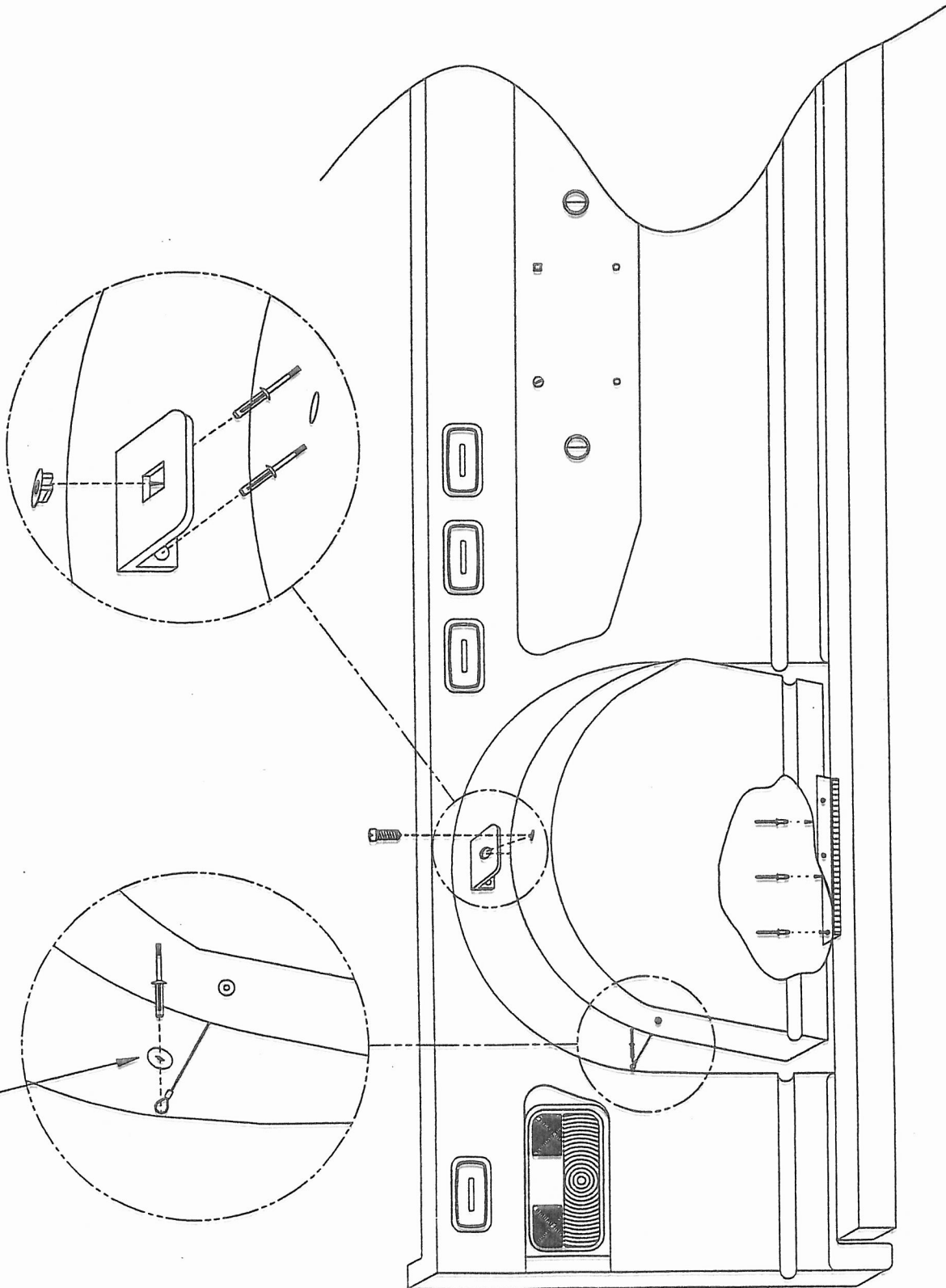
INSTALLATION INSTRUCTIONS

1. Using the three arctic white rivets provided, rivet the hinge attached to the spare tire cover to the bumper of the trailer. The portion of the hinge riveted to the bumper will be inside the spare tire cover when closed. (See diagram)

NOTE: The pre-drilled holes in the bumper must be 7/8" from the edge of the bumper closest to the rear body panel. On some early production units the holes were drilled 3/8" from the edge; this is incorrect and new holes must be drilled.

2. Using two of the expansion rivets provided, attach the keeper bracket to the pre-drilled holes located near the top of the spare tire indentation on the rear body panel. (See diagram) Insert grommet in square cutout in keeper bracket. The grommet should be installed from the top of the keeper bracket.
3. Using the remaining expansion rivet and washer, attach the cable from the spare tire cover to the pre-drilled hole on the left-hand side of the spare tire indentation on the rear body panel. (See diagram)
4. Install the spare tire mount bolts (not supplied with this kit) in the holes located in the center of the spare tire indentation on the rear body panel. Place spare tire on bolts and fasten with lug nuts from spare tire mount bolt kit.
5. Close the spare tire cover. Place the screw provided down through the pre-drilled hole in the top of the spare tire cover and through the grommet in the keeper bracket. Tighten securely.

WASHER



STC I