

FLEETWOOD FOLDING TRAILERS, INC.
INSTALLATION INSTRUCTIONS

1968-616
Revised July 2008

PART NUMBER: 4713-0741
MINI-MACH/SUPER-MACH AIR CONDITIONER INSTALLATION KIT

NOTE: The 4713-0741 kit is designed for installation on 2007 to current E1 models (FILON ROOF)

IMPORTANT NOTICE

These instructions are for the use of qualified individuals specifically trained and experienced in the installation of this type equipment and related system components. Installation and service personnel are required by some states to be licensed. Persons not qualified shall not attempt to install this equipment nor interpret these instructions. Improper installation may cause damage to the equipment and may cause a hazard.

These instructions are for the installation of the air conditioner kit and the air conditioner unit itself. Refer to the instructions included with each air conditioner model for additional mounting details.

This Package Contains:

1	-	4741B965	Expansion rivet	4	-	4738A089	3/4" Hex bolt
1	-	1202B269	Flat washer	2	-	4744-311	1" Bushing
1	-	1212-013	Grommet	1	-	4748A659	Power cord
14'	-	4350000022	Thick foam tape	1	-	4723-337	Velcro strap
4	-	4733-413	3/4" Tek screw	1	-	4752-244	Caution decal
3	-	4739-415	Nylon clamp	1	-	4303100020	#24221 Loctite
4	-	1202E040	Flat washer	1	-	4800-481	Roof brace
2	-	4800-686	Roof brace mounting brkt.	1	-	4350000047	Eternabond tape
1	-	4769A915	Mounting framework				

A. INSTRUCTIONS FOR A/C KIT

1. Locate one mounting bracket (4800-686) to each side of the top. The mounting brackets (4800-686) will need to be 36" from the center of the existing brace to the rear of the top. See Figure 5.
2. Set the top brace into position on the ceiling. Insert the four hex bolts (4738A089) and the four flat washers (1202E040) provided through the holes at the ends of the brace and fasten to the mounting brackets located in Step 1. See Figure 5.
3. Route the power cord through the pre-drilled roof brace after loosening the roof brace from the mounting bracket on the side closest to the 20 amp electrical outlet. Allow 18" to 24" of the power cord (non-plug end) to remain at the A/C cut-out location for later attachment to the ceiling assembly.

IMPORTANT: A 20 amp receptacle is located within the interior wall paneling at the front, rear, or sides of the trailer and can be identified by the short horizontal notch in one leg of the outlet.

4. Remove four accordion rivets from within the ceiling paneling of the top assembly. Using a 1/4" diameter drill bit, drill up through the top at each of the accordion rivets.

WARNING: Always check location of the pre-determined accordion rivets prior to cutting to ensure the correct 14" x 14" opening size, as well as proper clearance from the A/C top braces for installation of the A/C unit.

5. Set up bed legs (and glide-out if applicable). Place upper galley in closed position (if applicable) and lower the top until it is resting on the front and rear bed.
6. Carefully place a 3/8 (or thicker) sheet of wood onto the surface of the top prior to climbing out onto the top.

NOTE: This will prevent inadvertent damage to the exterior surface of the top.

7. Using the 1/4" holes drilled in Step 4 as a guide, carefully drill a 1/2 - 3/4" hole DOWN THROUGH the top assembly (use a 1/2 - 3/4" hole saw, not a drill bit or spade bit.)
8. Carefully mark the 14" x 14" A/C cutout opening on the exterior of the top. Mark the hole from the center of each of the 1/2 - 3/4" holes drilled in Step 7. See Figure 1.
9. From the exterior of the top, cut-out the A/C opening using a jigsaw with a fine or medium tooth blade. (Do not use a coarse blade.) See Figure 1.
10. Use a medium grit file or sanding block to finish the rough-cut edges of the cut-out. This will remove any sharp or rough edges that may cause cracks or fractures that may develop in the filon.
11. Clean the surface of the Filon top skin in the area directly adjacent to the cut-out. Remove any fiberglass dust and dirt from this area.
12. Place the stainless steel Mounting Framework (4769A915) on a flat surface upside down as shown in Figure 2. This shows the underside of the framework. From the roll of Eternabond sealing tape (4350000047), cut two pieces of tape 18" long and cut two pieces of tape 14" long. The Eternabond tape is extremely sticky. Use a razor knife on a hard surface to cut the tape into pieces.
13. Remove one side of the protective plastic from each piece of Eternabond sealing tape.
14. Place the pieces of tape on the underside of the framework as shown in Figure 3. Press the tape firmly against the framework. Wrap each piece of Eternabond on the underside of the framework and against each vertical leg. The entire surface of the framework will be covered.
15. Remove the other side of the protective plastic from the Eternabond sealing tape installed on the mounting framework. Insert the framework into the roof cut-out and PRESS THE FRAMEWORK FIRMLY against the Filon roof skin. Use a rubber mallet if necessary to "tap" the framework against the Filon skin.
16. You are now ready to begin the actual A/C installation.

B. INSTRUCTIONS FOR THE ROOF A/C KIT

1. Remove the carton and packaging from the roof A/C unit.
2. Prior to placing the A/C unit on the cut-out opening, tilt the unit to expose the foam gasket on the underside of the housing. Apply any brand of silicone caulking to the **UNDERSIDE** of the foam gasket as shown in Figure 4.
3. Finally, lift and place the A/C unit directly on the prepared roof opening cut-out with the pointed end of the A/C facing the front of the trailer and the condensing coil facing the rear. **MAKE SURE THE GASKET IS CENTERED ON THE MOUNTING FRAMEWORK.** The A/C unit may be lifted by its plastic cover.

NOTE: The centering flange on the underside of the A/C unit must be centered over the roof opening cut-out.

IMPORTANT: Different brands of roof A/C's and ceiling assemblies are not interchangeable. Check individual manufacturer's recommendations.

C. INSTALLING THE A/C INTERIOR CEILING ASSEMBLY

1. Place the "CAUTION" decal on the ceiling assembly.

Specific instructions for this part of the A/C installation can be found in your installation booklet. Follow these as indicated for proper installation.

NOTE: Apply Loctite (4303100020) to each of the four A/C anchor bolts.

CAUTION: When tightening the A/C anchor bolts, do not exceed 50% of gasket compression or irreversible cell damage to the gasket material will occur. Periodically check tightness of all anchor bolts. (On 8000 series Coleman air conditioners, it will be necessary to remove the ceiling assembly to access the anchor bolts.)**

**The optimum compression of the gasket is to a thickness of 5/8".

D. WIRING PROCEDURE

DANGER -- SHOCK HAZARD

MAKE SURE THAT THE POWER SUPPLY TO THE UNIT IS DISCONNECTED BEFORE PERFORMING ANY WORK ON THE UNIT TO AVOID THE POSSIBILITY OF SHOCK, INJURY, OR DAMAGE TO THE EQUIPMENT.

1. A wiring access hole through the interior plastic ceiling assembly cover of the A/C should be located 1" down from the top and 2½" in from the curbside on the front of the ceiling assembly cover. This hole is located directly adjacent to the pre-drilled hole in the front ceiling brace. See individual manufacturers recommended hole locations included with the ceiling assembly instructions.

NOTE: The electrical control box is located on the curbside of the ceiling assembly cover.

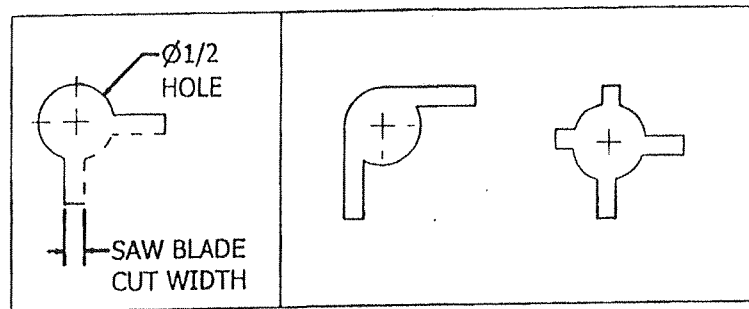
2. Insert wire through enclosed white rubber grommet and the interior plastic ceiling assembly cover.
3. Splice wires color for color with the enclosed wire nuts. Reference the A/C manual.
4. Using electrician's tape, tape the wire nuts securely to the wires.
5. Tighten the strain-relief clamp to secure the 115 volt supply wire in place (see air conditioner booklet). Coil the two connected wire ends and place inside the control box. Reinstall the control box cover. Be sure the thermostat probe is in position, routed through the rubber grommet and not touching any metal. See the A/C manual.
6. Make sure the filters are in position in the ceiling assembly cover and are held in place by elastic cords around four retainer pins; if they are not, install them at this time. See the A/C manual.
7. Reinstall the interior ceiling assembly and secure with the two screws taken out earlier. Put the control knobs back on the ceiling assembly and turn the selector switch to "OFF."
8. Route the power cord along the top of the roadside or curbside aluminum canvas track toward the 20 amp receptacle, then fasten the cord to the top with the three nylon clamps and three screws provided.
9. Route the power cord along the seat bench frame or curbside cabinet assembly and into the 110 volt, 20 amp receptacle.
10. Drill a 13/64" hole in the corner of the top assembly (through ceiling panel only) coinciding with the routing of the power cord. Fasten the power cord retaining Velcro strap with the expanda-rivet and flat washer provided.

NOTE: Store power cord looped at corner of top assembly prior to closing.

FIGURE 1

CORRECT
CORNER CUT

INCORRECT
CORNER CUT



IMPORTANT: THE PROCEDURE TO CUT-OUT THE A/C HOLE IS THE MOST CRITICAL STEP IN THE A/C INSTALLATION. CRACKS MAY DEVELOP IN THE CUT-OUT CORNERS IF THE $\frac{1}{4}$ " OR $\frac{3}{8}$ " HOLES ARE NOT DRILLED ACCORDING TO THE FIGURE ABOVE.

FAILING TO PERFORM THIS PROCEDURE WILL VOID THE TOP WARRANTY.

FIGURE 2

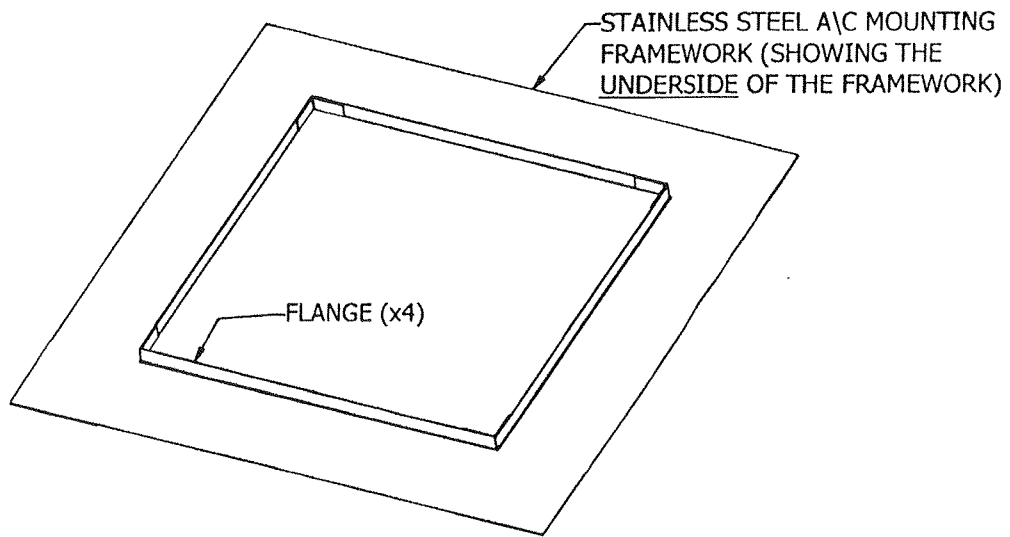


FIGURE 3

PLACEMENT OF 2 1/2" WIDE PIECES OF ETERNABOND SEALING TAPE WRAP TAPE UP VERTICAL LEGS ON ALL FOUR SIDE

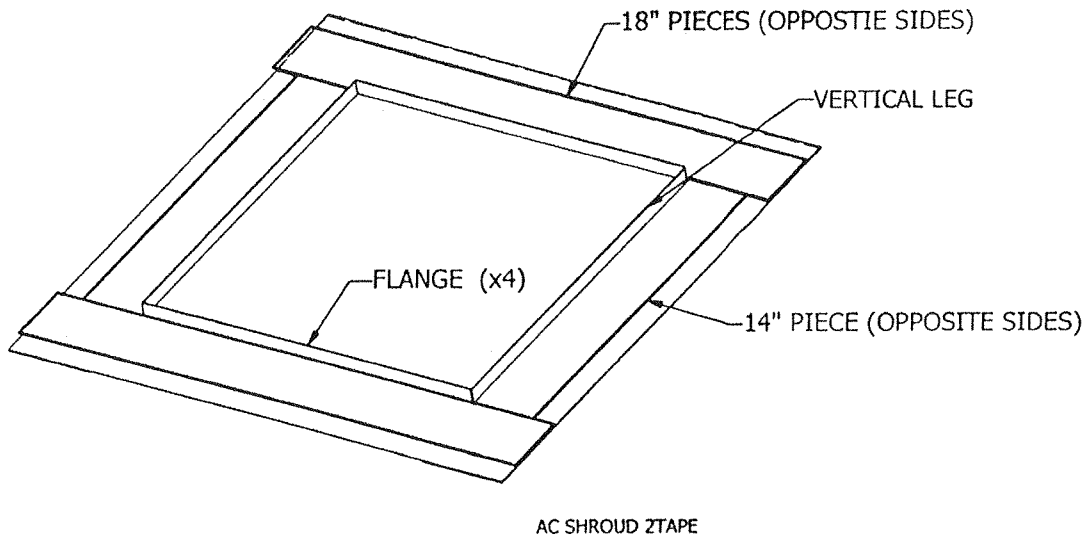
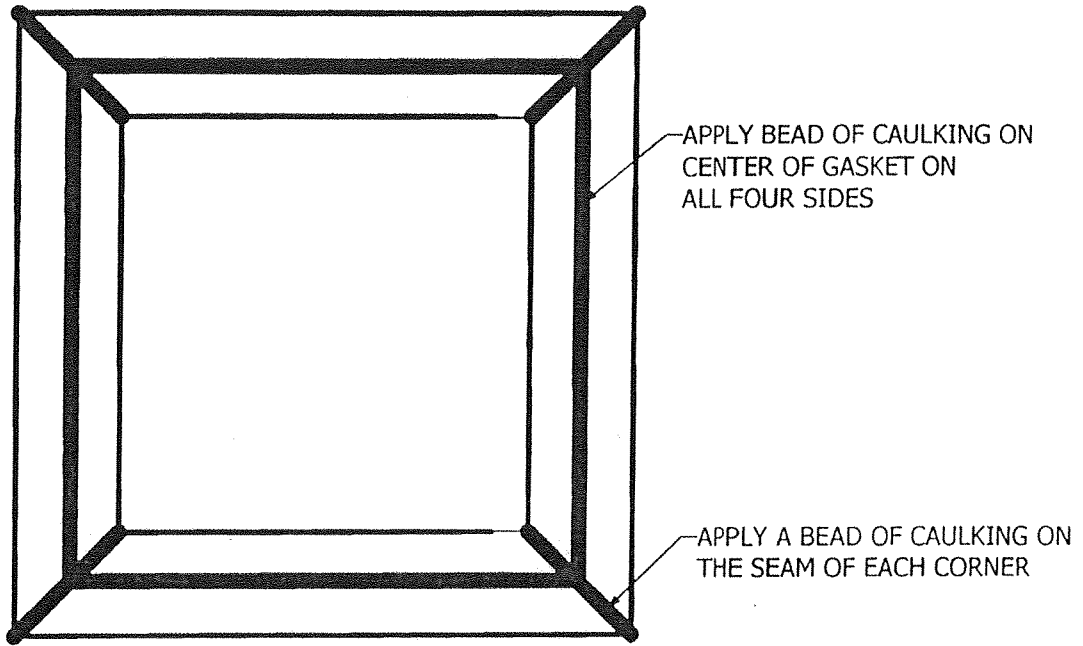
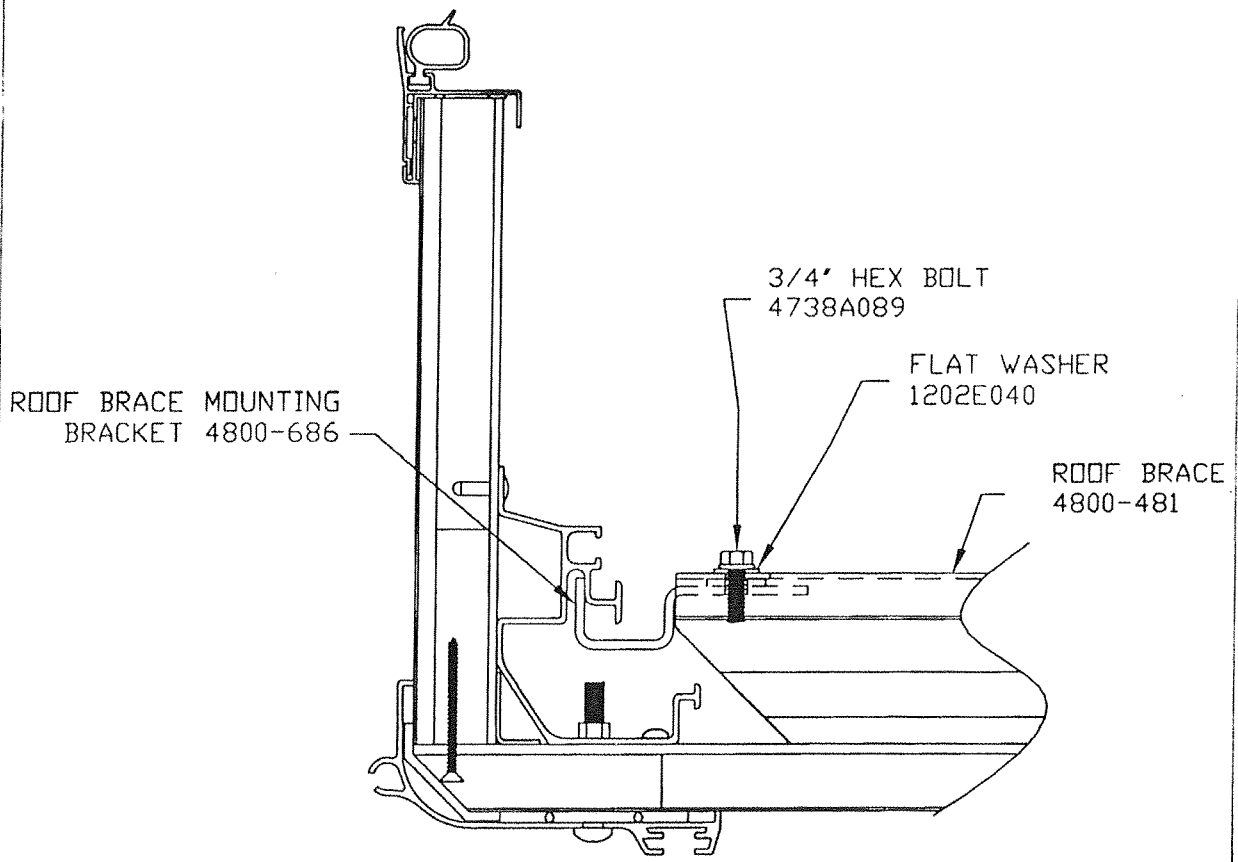


FIGURE 4



UNDERSIDE VIEW OF A\C FOAM GASKET

FIGURE 5



1968B571