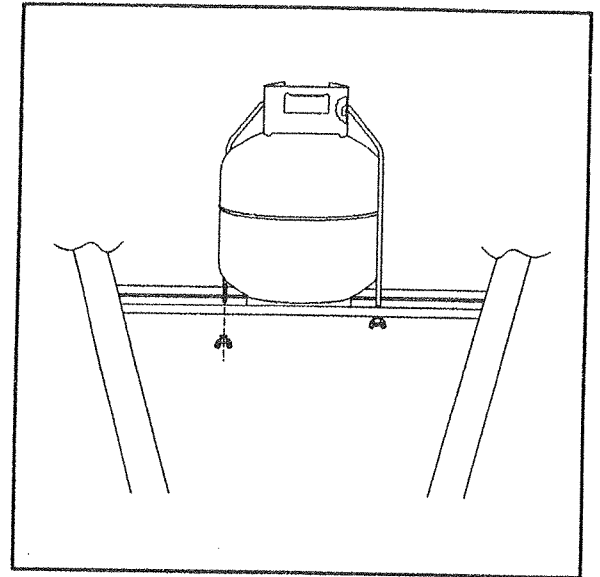


**MODEL NUMBER 4733F6281 - GAS BOTTLE BRACKET ASSEMBLY**

THIS PACKAGE CONTAINS:    2 - Bottle mounting rods ("J" hooks)  
  2 - Wing nuts  
  2 - Washers

**INSTRUCTIONS**

1. Position gas bottle on the trailer A-frame.
2. Place the "J" hooks through the round holes in the bottle neck and through the frame support holes on the tongue. See figure.
3. Assemble washer and wing nut to each "J" hook and tighten.
4. Attach the regulator assembly to the service valve. (Remember this is a left-handed thread.) Use the proper wrench.



**CAUTION: Do not use pipe sealant.**

Position the regulator assembly so its vent is downward within 45 degrees of vertical to assure proper operation.

5. Install the plastic cover to protect the regulator from the elements.
6. Connect the low pressure flexible hose to the regulator first, then attach the free end of the manifold.
7. Before opening the service valve allowing LP gas to flow into the system, be sure the appliances are turned off.
8. Open the service valve and check all connections for leaks with a soapy water solution. **DO NOT USE PRODUCTS THAT CONTAIN AMMONIA OR CHLORINE.**
9. Follow the manufacturer's instructions carefully when lighting the appliances.

**NOTE:** Position LPG tank with valve facing away from the trailer.

**WARNING:** Do not tamper with the LP gas regulator; it is factory adjusted. Fire and/or explosion could result if the regulator is tampered with.

**WARNING:** Do not smoke while changing or installing the LP gas bottle and extinguish all surrounding open flames to avoid the possibility of fire and/or explosion.