

# SHURflo

## WATER WIZARD™ HAND PUMP MODEL 150

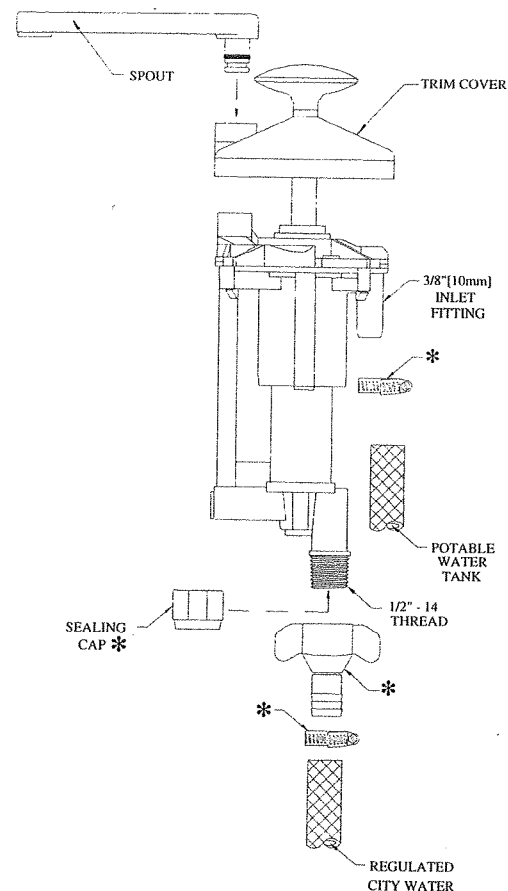
### FEATURES

- Delivers Water in both stroking directions.
- Retrofits into most existing hand pump installations.
- "Twist of the Wrist" Hands-Free operation with city water.
- Easy winterizing and sanitizing.
- FDA materials. IAPMO Approved.
- All corrosion resistant materials.
- Parts supplied with aftermarket pump, model #150-001-00:
  - (1) Swivel Barb 1/2" Hose Fitting # 8-161-00
  - (2) Hose Clamps
  - (4) #6 Screws
  - (1) Sealing Cap

### READ ALL INSTRUCTIONS BEFORE STARTING THE INSTALLATION

**CAUTION:** *DO NOT* snap the square trim cover to the pump until the unit is correctly located and screwed into position.

**NOTE:** To remove trim plate, slip screwdriver into slot on plate, and *gently* pry up on both sides.



The procedure outlined below is for new installations. To install the spout there *must* be 2½"[6.35 cm] clearance from the template centerline to any interference behind the unit (back wall) and there *must* be 4¾"[12.06 cm] from the centerline to any interference to the left side of the unit (see template). If the Wizard is to replace an existing hand pump, modifications to the existing hole may be required. Use the template to determine if the trim cover will cover an existing hole after modifications. In most installations there are limitations on space. Use of a hole saw allows the easiest and most precise method to make the cut out.

1. Determine the position and check under the counter for adequate space to mount the pump. Make certain there is sufficient clearance to rotate the spout when installing. Also, if mounted in a flip galley, check for proper clearance in both positions for the pump and tubing. Mark layout lines in-line with the center of the drain, and 2¼"[5.72 cm] from the outer edge of the sink rim. The ¼"[6.35 mm] clearance will allow cleaning between the trim cover and the sink rim.
2. Cut the template (Page: 3) out around the "edge of trim cover." Position the template over the layout lines and hold in place with tape. Mark (pilot drill) the position of the four 1¾"[4.44 cm] holes.
3. Use a 1¾"[4.44 cm] hole saw to cut the four holes. Trim out the remaining material to attain the cut-out shown on the template (bold line). *The trim cover may not cover the hole if enlarged past the size shown.*
4. Place the pump in the cut-out and square it to the sink. Squaring up the pump is easier if the trim cover is placed in position, *but DO NOT snap it in place!* Mark the four mounting holes and remove the pump before drilling small pilot holes for #6 hardware\*. If using a power screwdriver, pilot holes may not be necessary. If installing into an existing hole, simply install the supplied screws into the existing holes.

(\* supplied with after market pump #150-001-00)

5. Connect the tubing from the potable water tank to the inlet fitting. The regulated city water line (if used) is connected with the swivel barb fitting\* to the threaded port at the bottom of the pump. **DO NOT OVERTIGHTEN! HAND TIGHTEN ONLY!** Secure the tubing with hose clamps\*. If the city water feature is not being used, install the threaded seal cap\*. **DO NOT OVERTIGHTEN! HAND TIGHTEN ONLY!**
6. Install the pump back into the hole and fasten in place. **DO NOT** over tighten the screws. Doing so can distort the plastic bosses creating difficulty when snapping the trim plate in place.
7. **Perform a visual inspection of the installation before snapping the trim plate into position.** To install the spout, align marks on spout and trim plate. Press spout into the hole, and turn to the forward position. Test the pump for proper operation and check tubing for leaks. Remove and properly discard spout label.

(\* supplied with after market pump # 150-001-00)

## OPERATION

- A. Water From Tank: Fill water tank. Pump the piston up and down. Make sure all connections are tight.  
 B. City Water: ON: Turn handle counterclockwise 1/4 turn. OFF: Return handle clockwise 1/4 turn.

## SANITIZING

Mix into solution, 1/2 ounce of common household bleach for every gallon of potable water tank capacity [liter ≈ 1 ml] and then fill the tank completely. Operate the pump until the chlorine odor is detected. Allow the solution to have a 4 hour contact time, and then drain the holding tank. Refill the tank and operate pump until the line is flushed clear of solution.

## WINTERIZING

To winterize the Wizard, simply drain the holding tank. Operate the pump until all water is flushed from the lines. Remove the city water inlet fitting or threaded cap and collect the water that drains out. Operate the pump several strokes then reinstall the city water fitting or cap. **Make sure pump is thawed before using!**

## Water Wizard™ LIMITED WARRANTY

SHURflo warrants the *Water Wizard™* hand pump to be free from material and workmanship defects (under normal use and service) for a period of one (1) year from the date of manufacture, or one (1) year of use, with proof of purchase. In no case will the terms of this limited warranty extend beyond two years from the date of manufacture.

Warranty claims may be resolved by the nearest authorized dealer service center, or by either SHURflo service center (Garden Grove, CA 1-800-854-3218; Elkhart, IN 1-800-762-8094). All returns are to be shipped with charges prepaid. Package all returns carefully. SHURflo will not be responsible for freight damage incurred during shipping.

For complete warranty details refer to SHURflo Service Bulletin #1041.



*SHURflo reserves the right to update specifications, prices, or make substitutions*

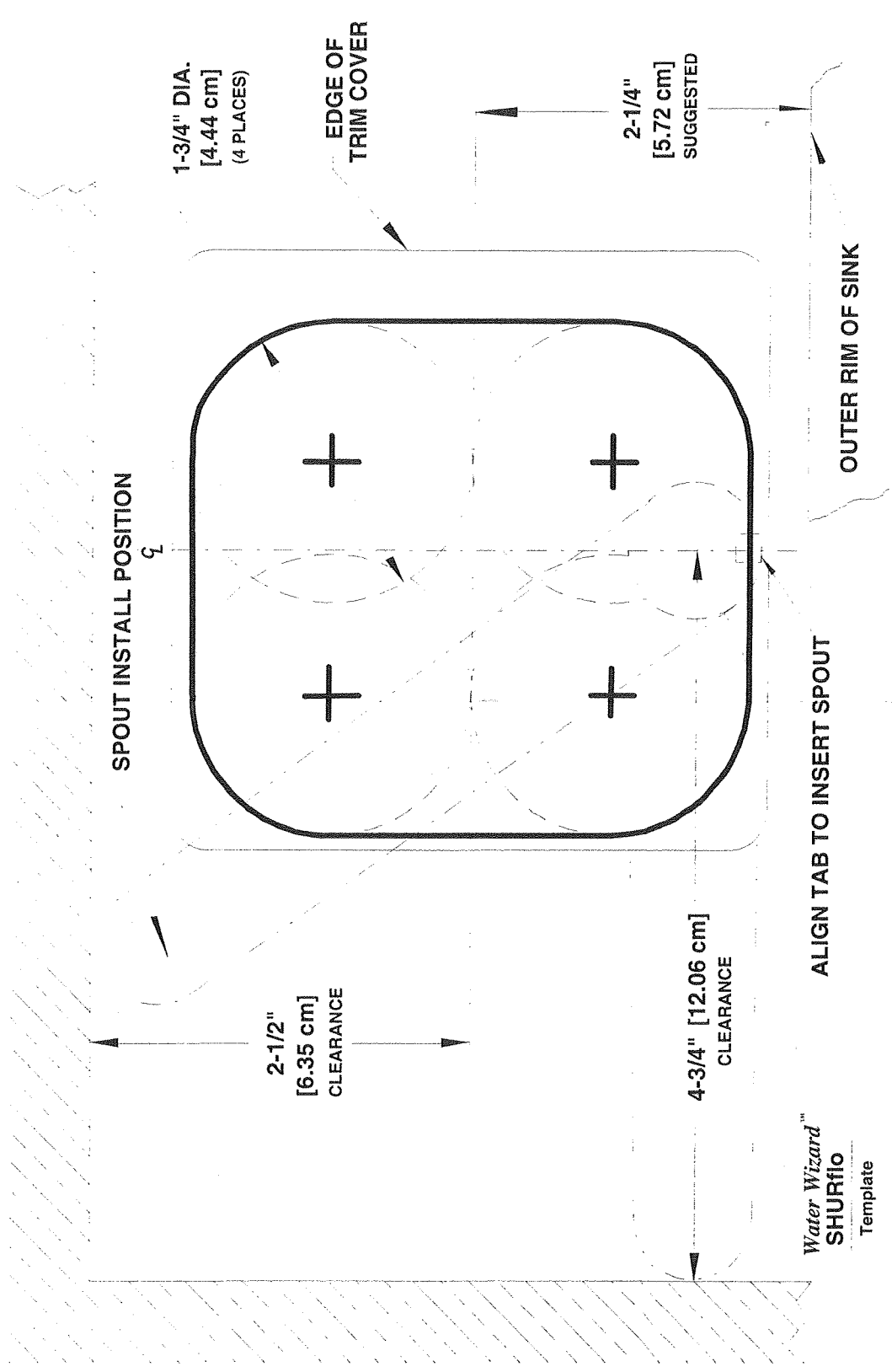


**SHURflo**  
 12650 Westminster Ave.  
 Santa Ana, CA 92706-2100  
 (714) 554-7709  
 (800) 854-3218  
 FAX (714) 554-4721  
**Shipping address/UPS**  
 12650 Westminster Ave.  
 Garden Grove, CA 92643

**SHURflo East**  
 52748 Park Six Court  
 Elkhart, IN 46514-5427  
 (219) 262-0478  
 (800) 762-8094  
 FAX (219) 264-2169

**SHURflo Europe**  
 Office  
 The Old Forge  
 36 West Street  
 Reigate, Surrey, RH2 9BX  
 England  
 +44 (0)-1737-242290  
 FAX +44 (0) 1737-242282

**Service / Returns**  
 Chelston Business Park  
 17 Knights Rd.  
 Wellington, Somerset, TA2 19JH  
 England



Water Wizard™  
**SHURFIO**  
 Template