



RECORD THIS UNIT INFORMATION FOR FUTURE REFERENCE:  
 Model Number \_\_\_\_\_  
 Serial Number \_\_\_\_\_  
 Date Purchased \_\_\_\_\_



## A&E TRIM LINE AWNING

**USA**  
 SERVICE OFFICE  
 Dometic, LLC  
 2320 Industrial Parkway  
 Elkhart, IN 46515  
 574-294-2511

**CANADA**  
 Dometic, LLC  
 46 Zatonski, Unit 3  
 Brantford, ON N3T 5LB  
 CANADA  
 519-720-9578

**For Service Center Assistance Call:**  
 800-544-4881

### **⚠ WARNING**

This manual must be read and understood before installation, adjustment, service, or maintenance is performed. This unit must be installed by a qualified service technician. Modification of this product can be extremely hazardous and could result in personal injury or property damage.

### **⚠ AVERTISSEMENT**

Lire et comprendre ce manuel avant de procéder à l'installation, à des réglages, de l'entretien ou des réparations. L'installation de cet appareil doit être effectuée par un réparateur qualifié. Toute modification de cet appareil peut être extrêmement dangereuse et entraîner des blessures ou dommages matériels.

# INSTALLATION & OPERATING INSTRUCTIONS

## MODELS

- 944X07.00(X)
- 944X08.00(X)
- 944X09.00(X)
- 944X10.00(X)
- 944X11.00(X)
- 944X12.00(X)
- 944X13.00(X)

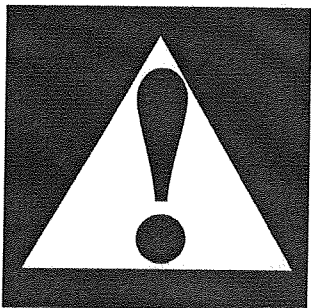
**REVISION:**  
 Form No. 3308723.026 2/09  
 (Replaces 3308723.018)  
 (French 3309146.029)  
 ©2009 Dometic, LLC  
 LaGrange, IN 46761

**Important:** These Instructions must stay with unit. Owner read carefully.

## SAFETY INSTRUCTIONS

This manual has safety information and instructions to help users eliminate or reduce the risk of accidents and injuries.

### RECOGNIZE SAFETY INFORMATION



This is the safety-alert symbol. When you see this symbol in this manual, be alert to the potential for personal injury.

Follow recommended precautions and safe operating instructions.

### UNDERSTAND SIGNAL WORDS

A signal word, **WARNING** OR **CAUTION** is used with the safety-alert symbol. They give the level of risk for potential injury.

**⚠ WARNING** indicates a potentially hazardous situation which, if not avoided, could result in death or serious injury.

**⚠ CAUTION** indicates a potentially hazardous situation which, if not avoided, may result in minor or moderate injury.

**CAUTION** used without the safety alert symbol indicates, a potentially hazardous situation which, if not avoided, may result in property damage.

Read and follow all safety information and instructions.



## LIMITED TWO-YEAR WARRANTY PATIO AWNINGS

THE SELLER NAMED BELOW MAKES THE FOLLOWING WARRANTY WITH RESPECT TO THE DOMETIC PRODUCT:

1. This warranty is made only to the first purchaser (herein after referred to as the "Original Purchaser") who acquires the product for his own use and is installed and operated within the continental United States and Canada.
2. This warranty will be in effect for two years on parts and freight and two years on labor from the date of purchase by the original purchaser. It is suggested that the original purchaser retain a copy of the dated bill of sale as evidence of the date of purchase.
3. This warranty covers labor and specified parts, which shall be free from defects in material and workmanship under normal use. This warranty does NOT cover conditions unrelated to the material and workmanship of the product. Such unrelated conditions include, but are not limited to: (a) damage not reported within 7 days of ownership; (b) failure or damage caused by storms, rain, water pooling, or any acts of God; (c) faulty installation and any damage resulting from such; (d) the need for normal maintenance and any damage resulting from the failure to provide such maintenance; (e) failure to follow Sellers instructions for use of this product; (f) any accident to or misuse of any part of this product and any alteration by anyone other than the Seller or its authorized representative; (g) damage or failure caused by installation of accessories not manufactured and marketed by the Seller; and (h) normal wear and product abuse.
4. The specified parts covered by this warranty are as follows: (a) Roller tube against rust, corrosion and extrusion defects; (b) Fabric free from quality defects (normal wear is not covered); (c) Torsion assemblies against extrusion defects or breakage; and (d) Hardware against extrusion defects.
5. It is suggested the original purchaser provide preventative maintenance on a yearly basis. The preventative maintenance suggested is: (a) assure proper winding of fabric; (b) cleaning of fabric; (c) inspect and lubricate cam lock lever, lift-lock assembly, and hardware slide areas. The cost of this preventative maintenance is the original purchaser's responsibility and should take about one hour.
6. In order to obtain the benefits of this warranty, the original purchaser must return the product which is found defective to the Seller named below or to a Dometic Authorized Service Center during the period that this warranty is in effect. The original purchaser is responsible for all charges incurred in delivery of the product to the Seller or Dometic Authorized Service Center, and in pick up after the warranty service has been completed. To obtain the location of the nearest Authorized Service Center, please call 1-800-544-4881 or in Canada call 1-519-653-4390.
7. Any item returned in the manner described in paragraph 6 will be examined by the Seller or the Authorized Dometic Service Center. If it is found that the returned item was defective in material and workmanship, the Seller or the Authorized Dometic Service Center will repair the product per the terms outlined in paragraph 4. **CONFIRM THE SERVICE AGENCY IS AN AUTHORIZED DOMETIC SERVICE CENTER. DO NOT PAY THE SERVICE AGENCY FOR WARRANTY REPAIRS. SUCH PAYMENTS WILL NOT BE REIMBURSED.**
8. The Seller does not authorize any person or company to create any warranty obligations or liability on their behalf. This warranty is not extended by the length of time which you are deprived of the use of the product. Repairs and replacement parts provided under the terms of this warranty shall carry only the non-expired portion of this warranty.
9. In no event shall either seller be liable for incidental or consequential damages. This includes any damage to another product or products resulting from such a defect. Some states do not allow the exclusion or limitation of incidental or consequential damages, so the above limitations may not apply.
10. Any implied warranty, including the implied warranty of merchantability and fitness for any purpose, is limited to the duration of this limited warranty. Some states do not allow limitations on how long an implied warranty can last, so the above limitation may not apply.
11. **THIS WARRANTY GIVES SPECIFIC LEGAL RIGHTS, YOU MAY ALSO HAVE OTHER RIGHTS WHICH VARY FROM STATE TO STATE.** No action to enforce this warranty shall be commenced later than ninety (90) days after the expiration of the warranty period. Claims must be submitted in writing to the Dometic Warranty Department for arbitration.
12. All products (except those specifically built for commercial use) are warranted only when installed on vehicles built to R.V.I.A. A119-2 and C.R.V.A. Z-240 Standards.
13. The Seller reserves the right to change the design of any product without notice and with no obligation to make corresponding changes in products previously manufactured.

### REVISION

Form No. 3108434.030 1/09  
(Replaces 3108434.022)  
(French 3108925.029)  
©2009 Dometic, LLC  
LaGrange, IN 46761

**Dometic, LLC**  
Warranty Department  
2320 Industrial Parkway  
Elkhart, Indiana 46516  
Phone: 574-294-2511  
Fax: 574-389-3975

### A. Application

The A&E Trim Line Awning is designed and intended for mounting on pop-up tent campers.

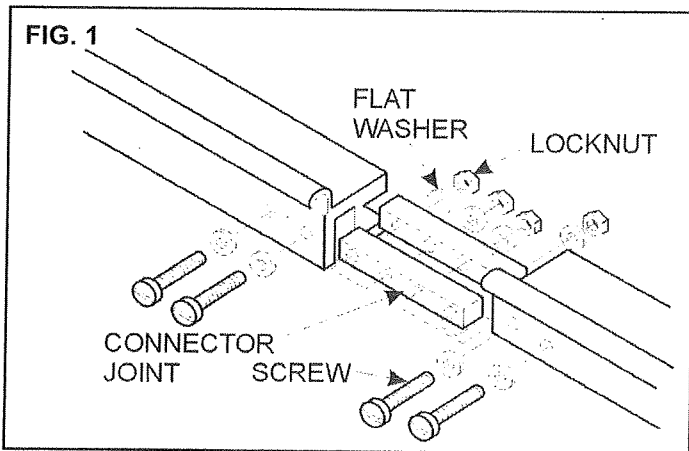
**Important:** Read the entire installation procedure before starting the installation.

**Note:** Dometic, LLC assumes no liability for damages or injury resulting from installation or operation of this product.

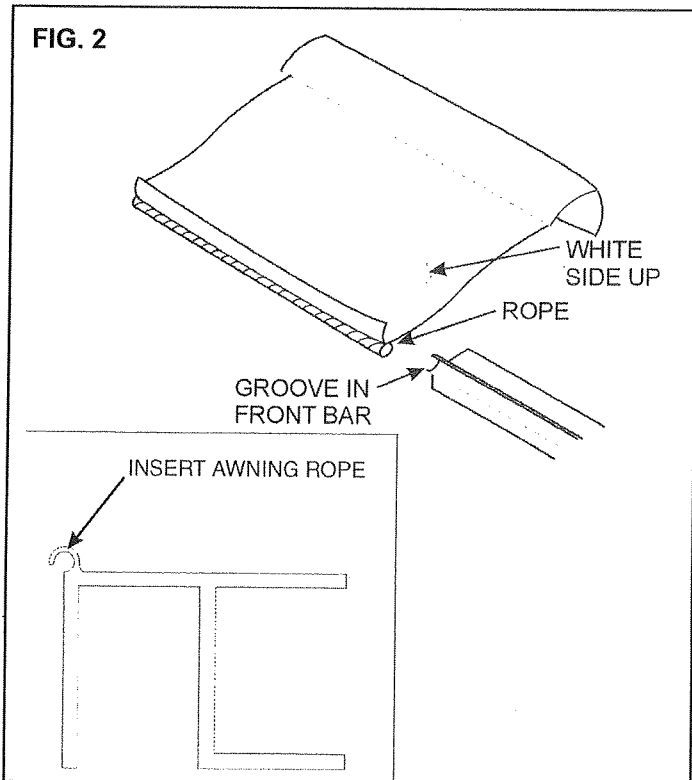
### B. Assembly

1. Install joiner tubes as shown in Fig. 1. Use screws provided.

**Note:** Start all screws into holes before tightening nuts. Do not overtighten nuts.



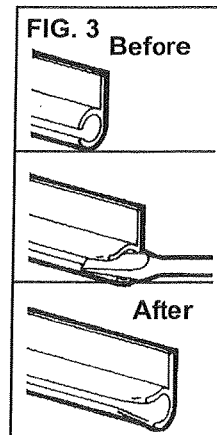
2. Unroll awning fabric on a flat, clean surface. Insert awning fabric into front bar with the white side up. See Fig. 2.



3. With front bar on fabric, roll awning up into bag and zip bag closed.

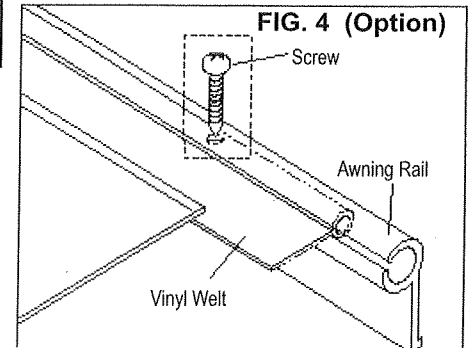
### C. Installation

1. Prepare the awning rail to accept the Trimline awning by opening the lead end of the awning rail with a screwdriver as shown in Fig. 3.

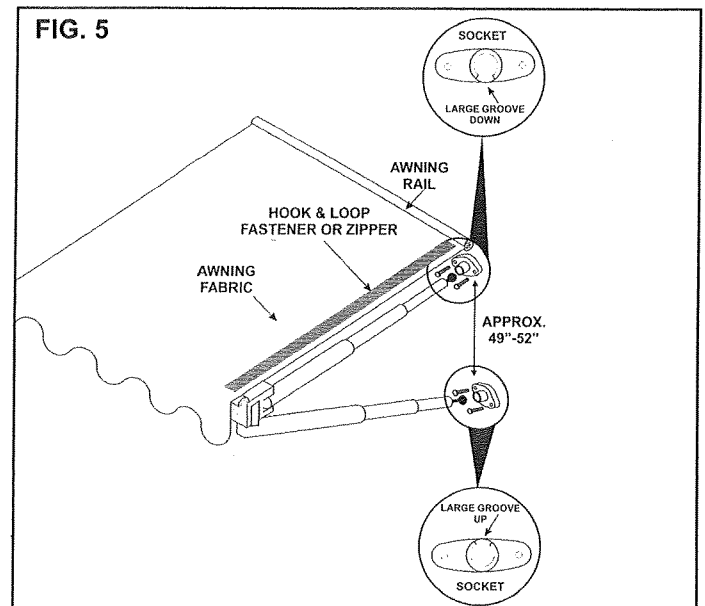


- a. Install vinyl welt of awning bag into awning rail by inserting vinyl welt into one end of awning rail and sliding awning into position. See Fig. 4.
- b. If the awning is to be left mounted during travel, secure each end by installing a #6 x 1/2" drill point screw in each end. See Fig. 4

**Note:** When unzipping bag or untying poles, be sure to hold poles so loose poles do not fall out of bag.

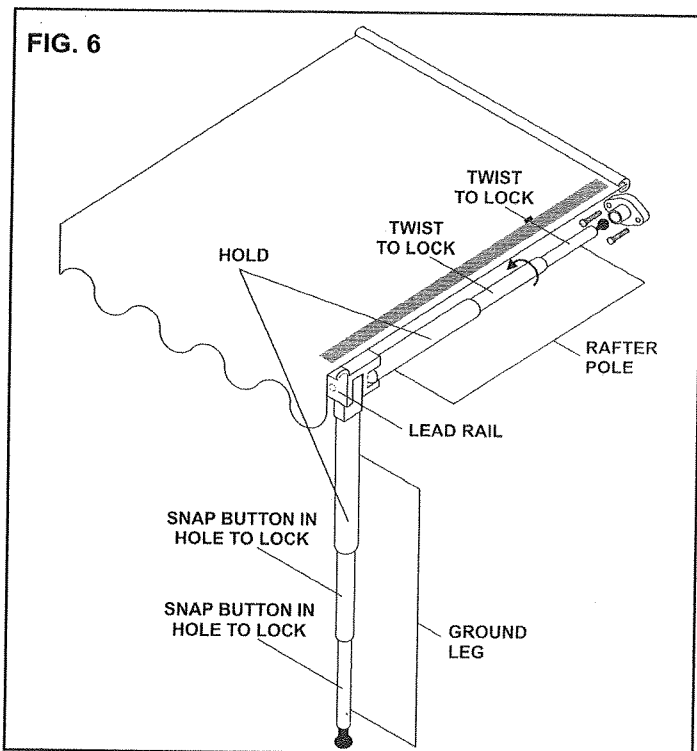


3. Install top pair of sockets with #8 x 3/4" sheet metal screws at each end of awning directly under awning rail. Make sure large groove on socket faces down. Align socket directly under Hook & Loop Fastener tape or zipper, depending on model. See Fig. 5.
4. Install bottom pair of sockets with #8 x 3/4" sheet metal screws at each end of awning below camper top when camper is in open position (approx. between 49" to 52" below awning rail). Large groove on socket should face up. It is very important to keep the bottom pair of sockets out of the way of the camper top when closing camper. See Fig. 5.

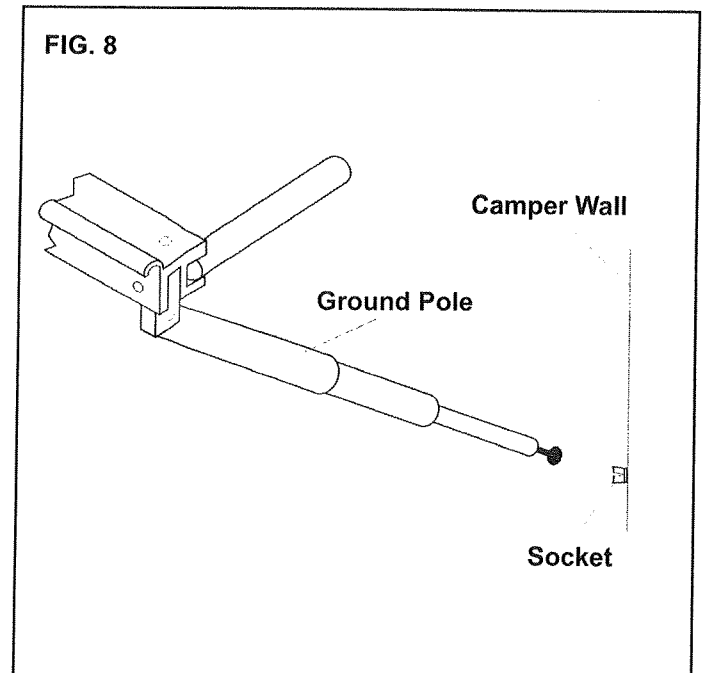
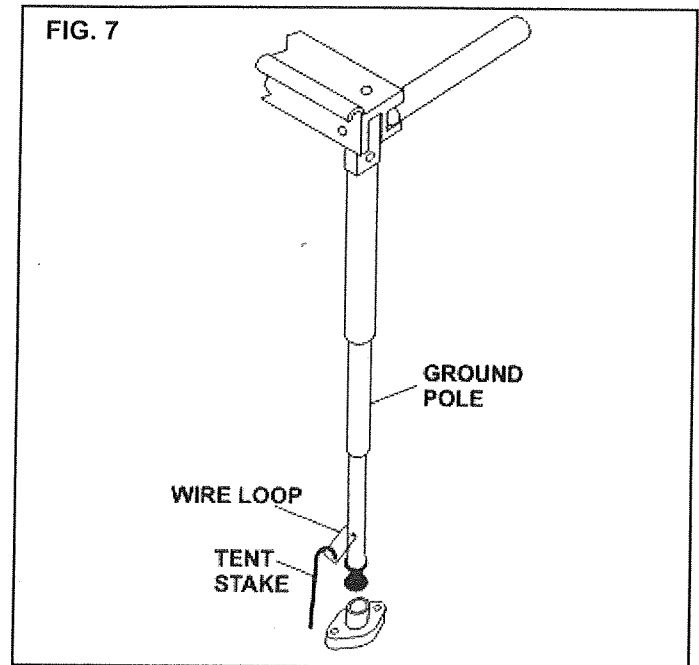


## D. Operation

1. Unzip awning bag and untie webbing straps. Unroll awning fabric.
2. Unfold ground legs from lead rail. Extend middle and lower tube (7'-9' models) or lower tube (10'-13' models) to desired height. Hold tube nearest lead rail and locate alignment marks on tubes. See Fig. 6. Alignment marks for 7'-9' models are located on middle and lower tubes. For 10'-13' models, alignment marks are located on top and lower tubes. Align mark on lower tube with mark on middle tube (for 7'-9' models) or with top tube (for 10'-13' models). Push lock button in and slide lower tube into mating tube to lock push button in desired hole. Repeat with middle tube and top tube for 7'-9' models. Top tube has 4 locking positions, each 5" inches apart from each other to adjust to desired height.
3. Unfold rafter poles and extend them into socket under awning rail. Hold tube nearest lead rail and twist middle and lower tube (7'-9' models) or lower tube (10'-13' models) to lock. See Fig. 6.



4. Ground poles can be placed upright in carport position or they can be inserted into sockets (previously installed on camper) up against camper for a patio position awning. Galvanized steel tent stakes and wire loops for tent stakes are provided to position ground poles upright and hold them in the ground. See Fig. 7. Use spare sockets provided to attach to end balls on ground poles to protect end ball when staking poles to ground. Drive stakes into ground capturing stake wire with tent stake. See Fig. 7. To position awning in patio position, extend ground poles and insert bottom end balls into sockets previously installed on camper wall above frame. See Fig. 8.



5. To close awning, reverse Steps 1 through 4.

**Note:** During rain, awning should be closed or lowered on one end to allow water to run off.

6. After rolling awning up, use tie strap to hold awning securely inside bag. Zip the bag closed for travel.