

FLEETWOOD FOLDING TRAILERS, INC.
INSTALLATION INSTRUCTIONS

1968T452
Revised June 2006

DELUXE ADD-A-ROOM INSTALLATION INSTRUCTIONS

These instructions are for use on 2004 models, 2005 Destiny, Grand Tour, Highlander models, 2006 – 2007 Destiny, Americana, Highlander, and Element (except Neon) models:

This Kit Contains:

1	-	4724-794	Add-a-room bag
1	-		Add-a-room front
1	-		Add-a-room left side
1	-		Add-a-room right side
1	-		Rear skirt
1	-	4716-4011	Wheel well flap
8	-	4724A255	Plastic stakes
4	-	4720E402	Plastic lashing hooks
1	-	4351400005	Roll adhesive-backed Velcro
4	-	4733-413	3/4" self-tapping Phillips head screws
16"	-	4753A863	Velstick
5	-	1103E101	5/8" stainless steel screws
2	-		Screen room adapters (short)
2	-	4730A354	Snap stud with screw (Taos and Laredo models only have one)
5	-	4733-411	Self-tapping screw (2006 models with steel body panels only)
2	-		Screen room adapter (long) 2007 to present Americana or Highlander

IMPORTANT NOTICE

These instructions are for the use of qualified individuals specifically trained and experienced in the installation of this type equipment and related system components. Installation and service personnel are required by some states to be licensed. Persons not qualified shall not attempt to install this equipment nor interpret these instructions.

PREPARING THE TRAILER FOR ADD-A-ROOM ATTACHMENT

1. Raise the trailer top to full height, pull out beds, attach bed support legs and stretch out canvas (not necessary to position canvas support rods).
2. Locate the two lashing hooks on the curbside rail next to the lift arms by aligning the hooks on the body rail with the canvas side zippers as shown in Figures 1 and 2. Pre-drill the holes with a 1/8" drill bit and attach with 3/4" self-tapping Phillips head screws provided.
3. Locate two additional lashing hooks along the bottom body panel edge. Place them so they are in direct alignment with the upper hooks installed in Step 2. Attach the hooks with the 3/4" self-tapping Phillips head screws provided. See Figures 1 and 2.

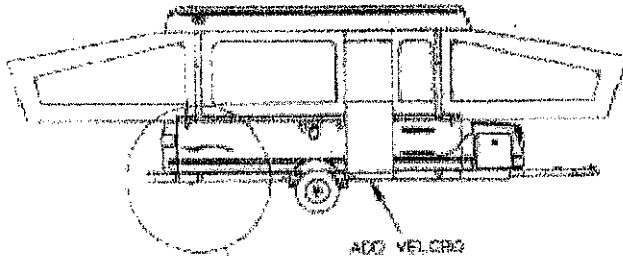
4. Wipe clean the underside of the front and rear frame cross channels with isopropyl alcohol as well as the bottom portion of the curbside main frame channel directly underneath the entrance doorway. Attach Velcro to the underside of both frame-cross channels below the entrance doorway. The Velcro should extend from the end of the cross channel to the main frame channel. Next, attach Velcro to the bottom portion of the main frame channel between the two cross channels. See Figure 3.
5. Clean the bottom flange of the body panels with isopropyl alcohol and apply adhesive-backed Velcro between the access doorway and the lashing hooks installed in step 3. See Figures 1, 2, and 5.
6. On all models, attach the 16" piece of Velstick to the wheel well area as shown in Figure 4. The Velstick may be shortened slightly if necessary.
7. Clean the back edge of the canopy support channel with Isopropyl alcohol and apply the appropriate amount of adhesive-backed Velcro along the top back edge of the channel. Do not cover any pre-drilled holes; run Velcro between the holes and press down firmly to secure adhesive backing. See Figure 6.

8. Unzip the tent sections on trailer near the curbside lift arms and install the screen room adapters.

NOTE: Long screen room adaptors used for 2007 – present Americana and Highlanders Series models.

9. Locate the snaps on the add-a-room front panel at the top. Mark the inside of the canopy support channel at these locations. Drill a 1/8" pilot hole at these marks. Attach the provided snap studs to the canopy support bar.

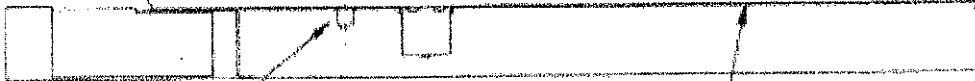
FIGURE 1



ADD VELCRO

CANVAS ZIPPER

LASHING HOOK



LASHING HOOK

ADD VELCRO TO BOTTOM OF BODY PANEL

FIGURE 2

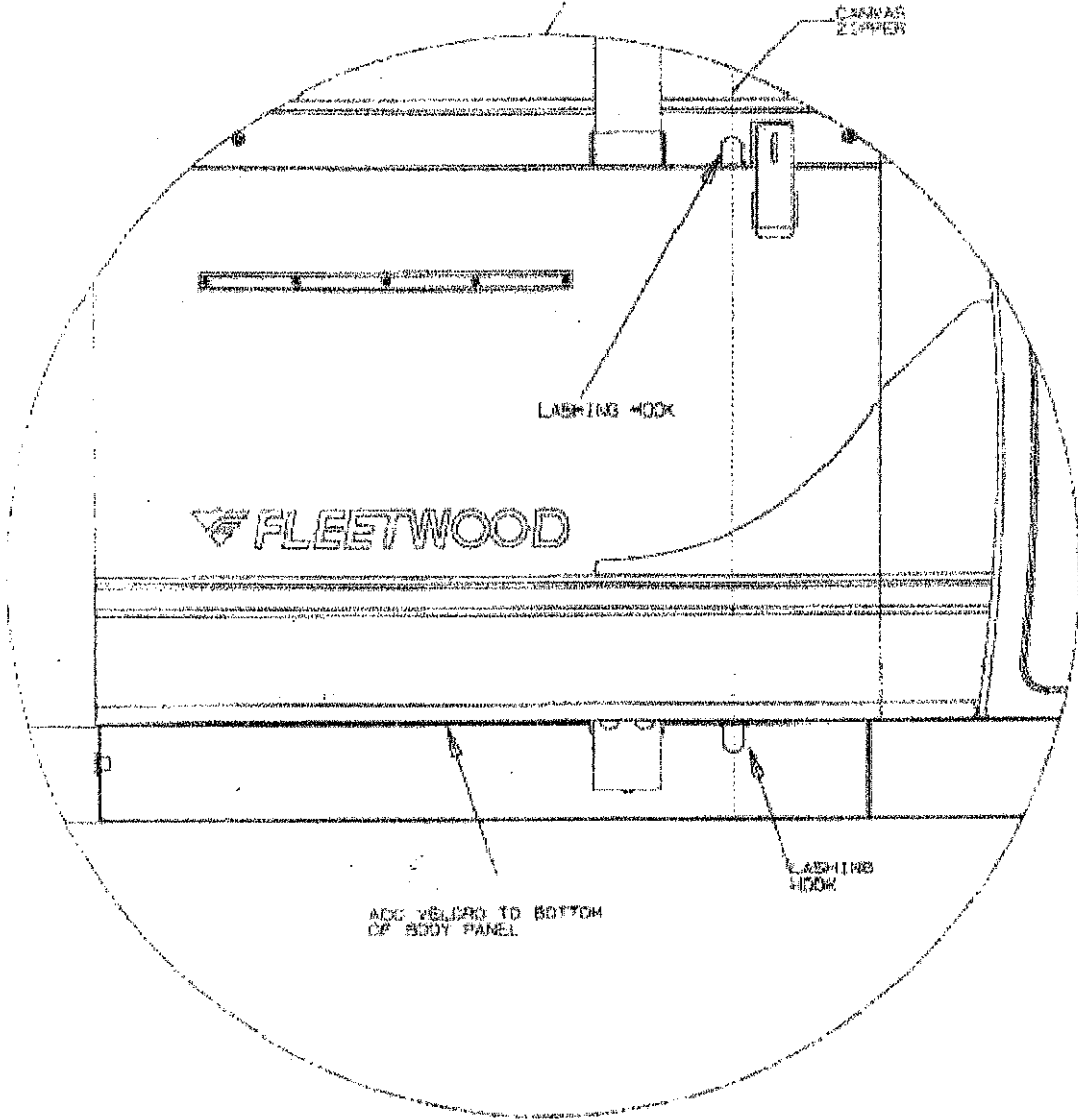
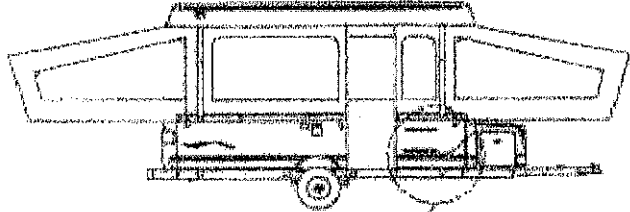
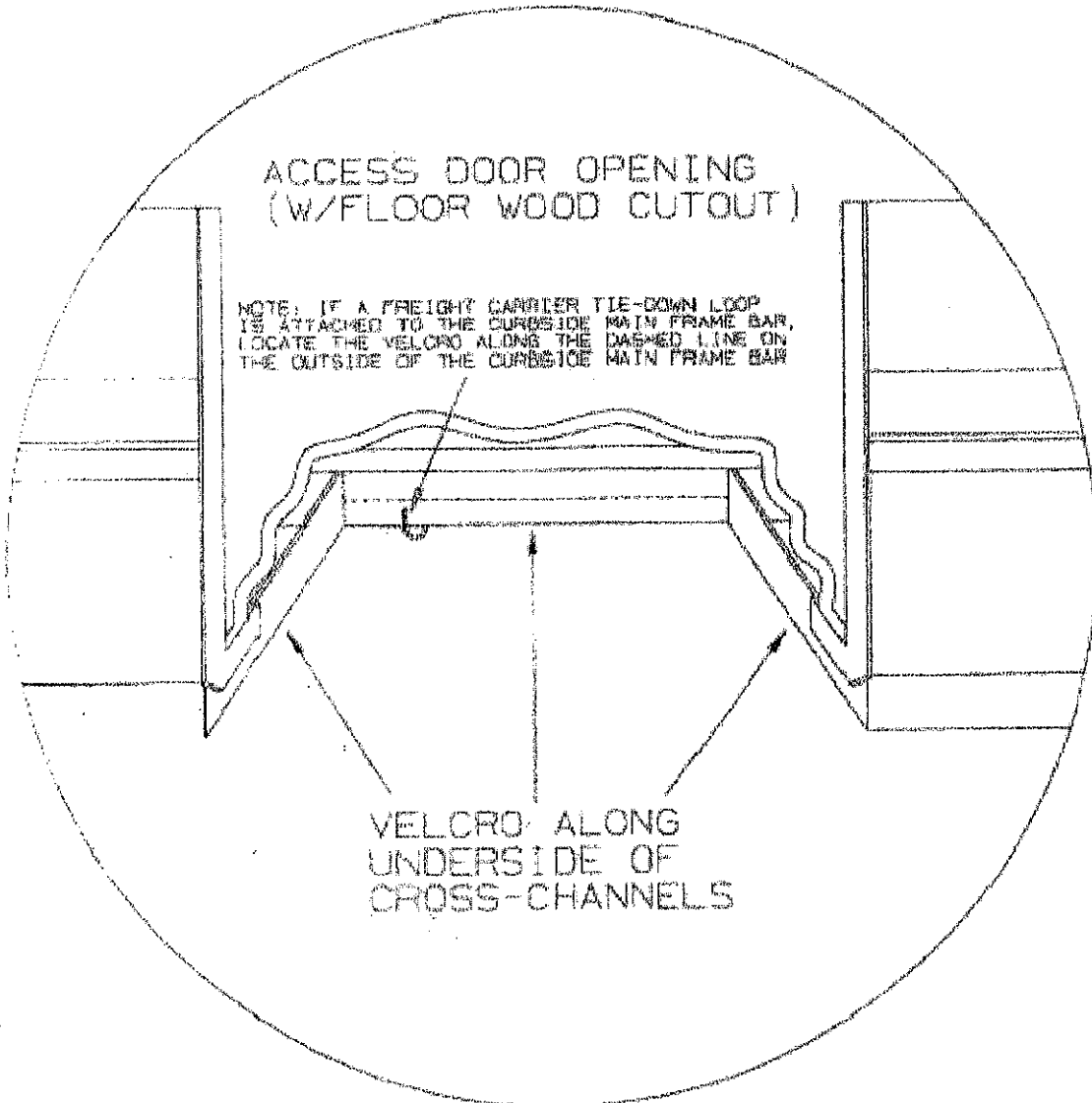
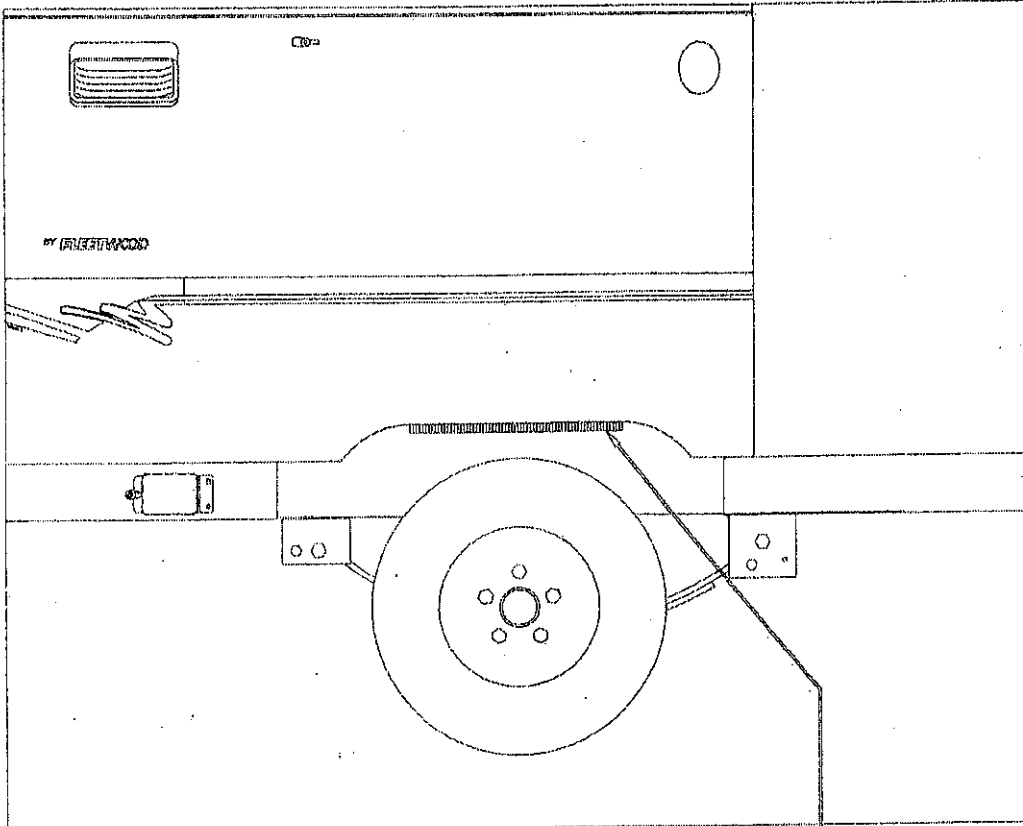


FIGURE 3



588

FIGURE 4

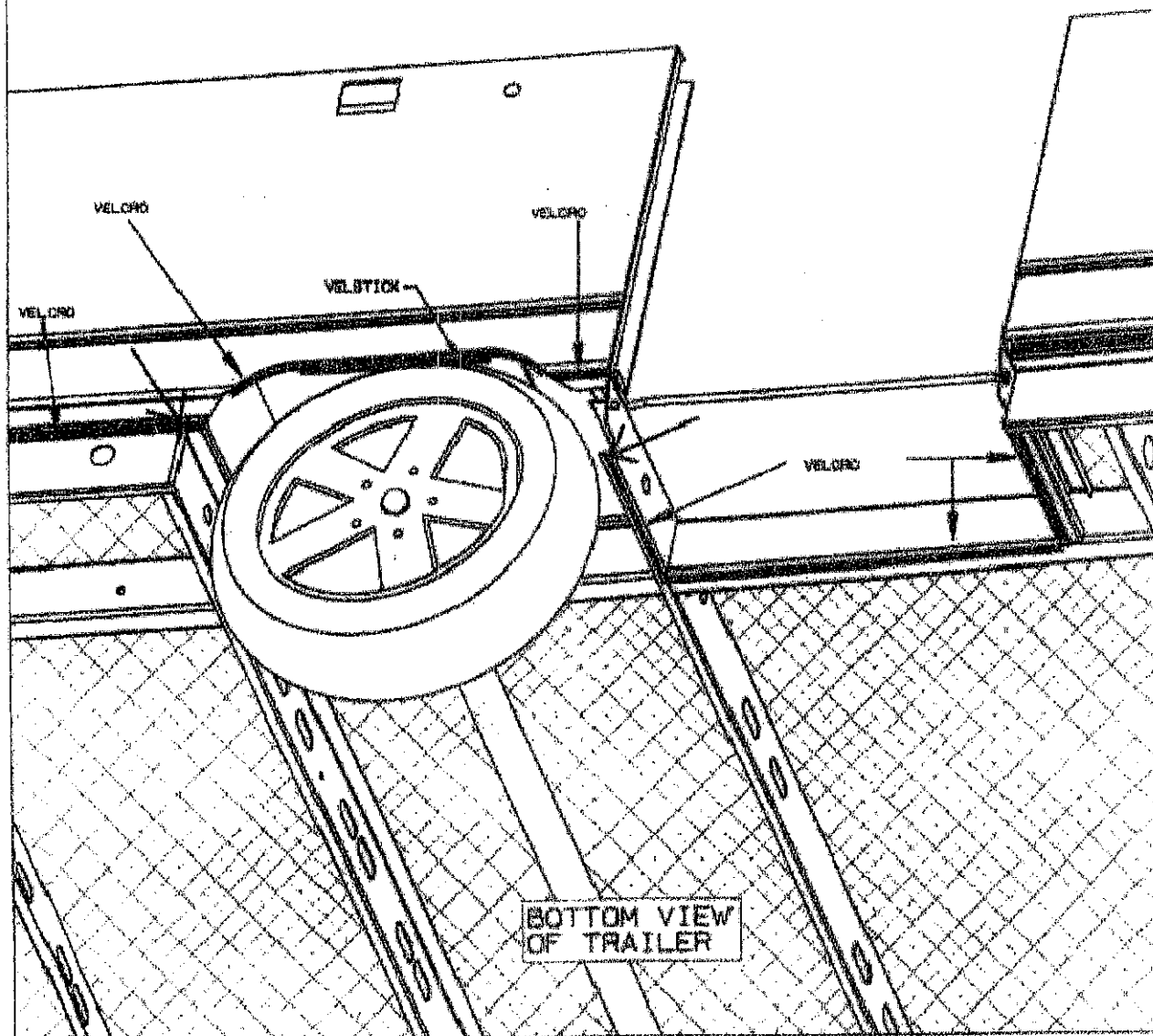


16" VELSTICK (APPLY TO BODY PANEL FLANGE FACING DOWNWARD) INSTALL WITH THREE SCREWS PROVIDED. VELSTICK SHOULD BE FLUSH WITH OUTER EDGE OF WHEEL WELL.

SIIC

FIGURE 5

ATTACH WHEELWELL FLAP TO REAR SKIRT OF SCREEN ROOM AND THEN TO UNDERSIDE OF TRAILER BEGINNING AT THE TWO ARROWS AND WORKING TOWARD THE CENTER OF THE WHEEL WELL.



8170