

**SCREEN ROOM INSTALLATION INSTRUCTIONS**

These instructions are for use with Destiny series camping trailers, Roanoke, Royale, Rio Grande, Cedar, Cedar XL, and Stoney Creek models.

This package contains:

- |   |   |      |          |                           |
|---|---|------|----------|---------------------------|
| - | Screen room enclosure                     | 1 -  | 4724-794 | Screen room storage bag   |
| - | 4720D402 Lashing hooks (10' models)       | 8 -  | 4720D402 | Lashing hooks (8' models) |
| - | 4724A255 Stakes (10' models)              | 7 -  | 4733-413 | Tek screws (8' models)    |
| - | 4724A255 Stakes (8' models)               | 10 - | 4724A255 | Stakes (12' model)        |
| - | 4733-413 Tek screws (10' models)          | 9 -  | 4720D402 | Lashing hooks (12' model) |
| - | 1103E101 Wood screw                       | 8 -  | 4733-413 | Tek screws (12' model)    |
| - | 435-00-000-05 Roll adhesive-backed velcro |      |          |                           |

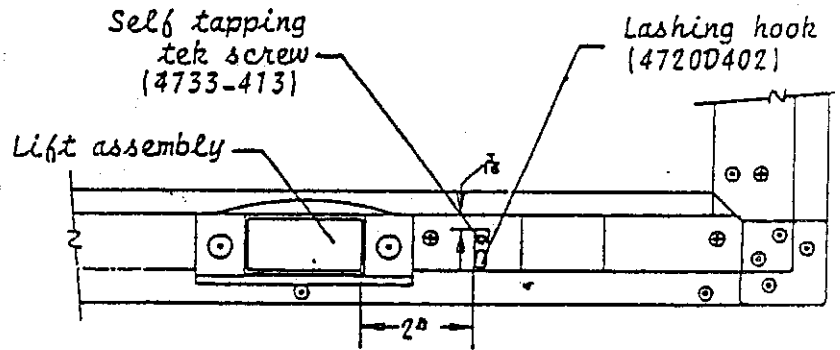
There are three sections to these instructions.

**Action A - Preparing the Trailer for Screen Room Attachment**

1. Raise the trailer top to full height, pull out wing beds, attach bed supports and stretch out canvas (not necessary to position canvas support rods).

2. Locate two lashing hooks (4720D402) on top of each curbside (doorside) body rail next to the front and rear lift assemblies according to the measurements and direction of the hooks shown in Figure 1.

**Note:** Locate the first lashing hook 2" from the front lift assembly and 3/16" from the vertical edge of the body rail towards the front of the camping trailer. Repeat procedure for second lashing hook measuring from the rear lift assembly towards the rear of the camping trailer.



**FIGURE 1**

3. Using an electric driver and two self-tapping tek screws (4733-413) provided, secure both lashing hooks atop the curbside body rails as shown in Figure 1.

4. For all models: Locate four additional lashing hooks (4720D402) in the corners of the exposed lower frame channels, directly below the curbside body panels according to the dimensions and direction of hooks shown in Figures 2 and 3. Fasten with four tek screws (4733-413) provided.

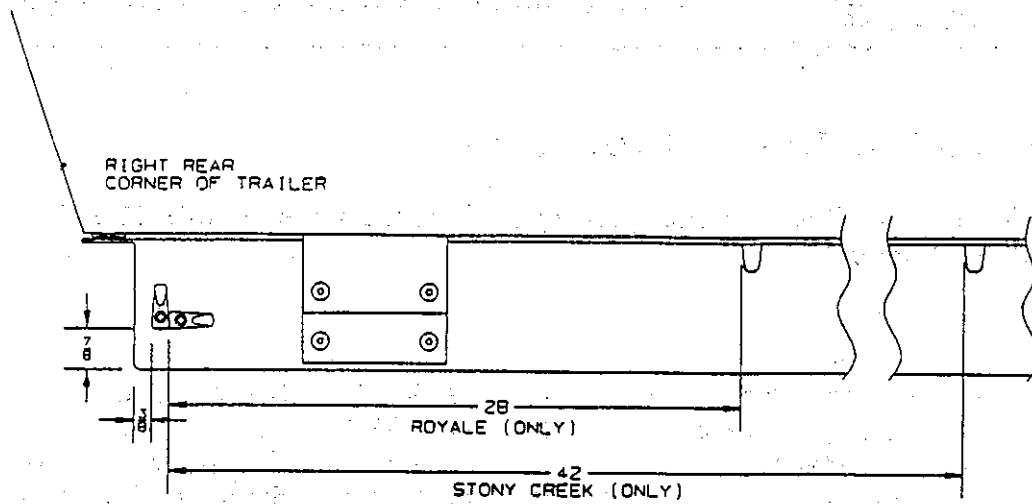


FIGURE 2

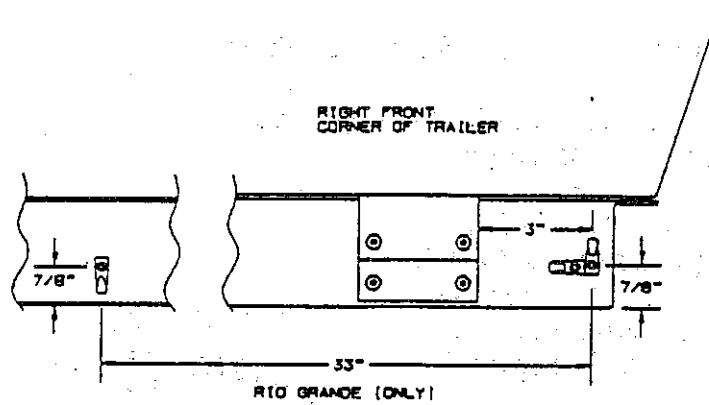
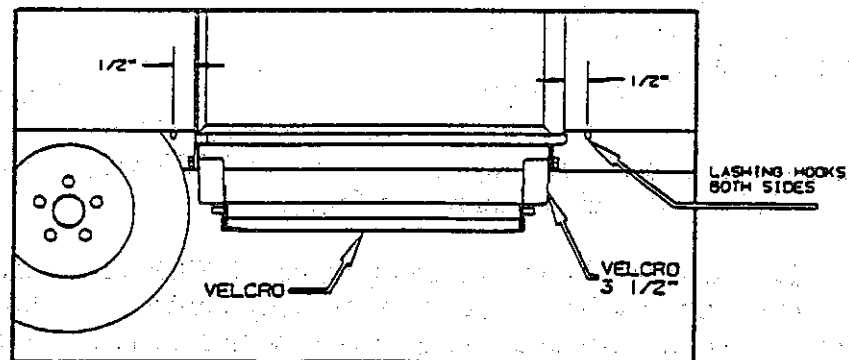


FIGURE 3



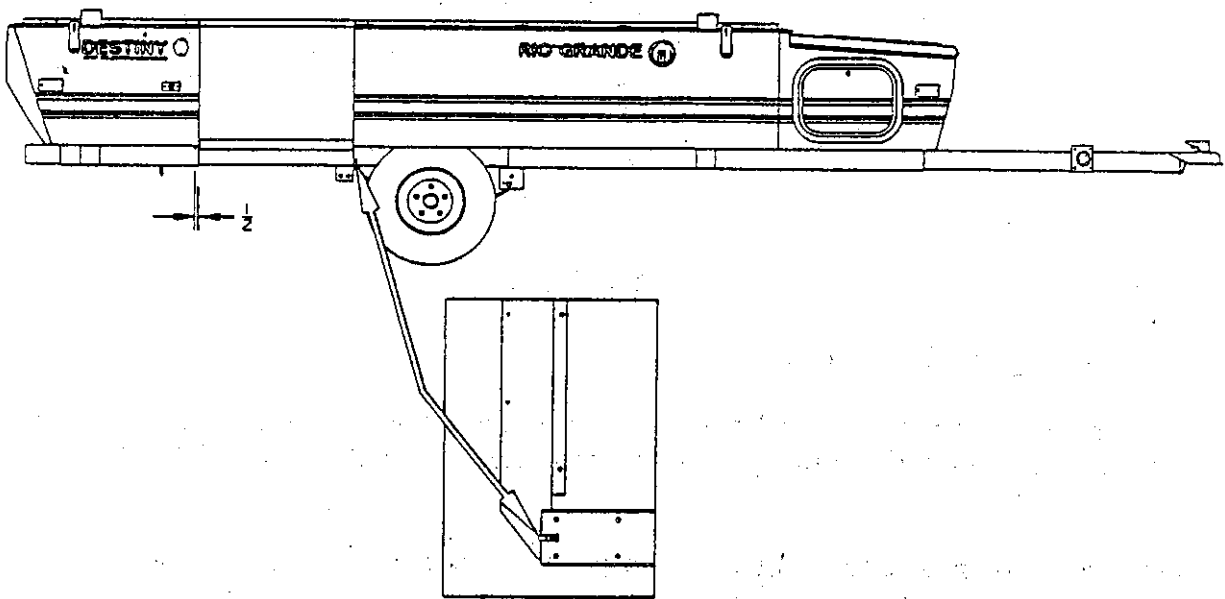
Velcro along underside of step frame plus two 3 1/2" pieces on both sides of step.

FIGURE 4

(Roanoke, Cedar, Cedar XL, Royale, and Stony Creek models only)

5. Refer to Figure 4 for Roanoke, Cedar, Royale, Cedar XL, and Stoney Creek models only. Locate two additional lashing hooks  $\frac{1}{2}$ " on either side of the access doorway opening. The lashing hook located  $\frac{1}{2}$ " from the front of the access doorway will be fastened to the upper metal flange of the frame channel with tek screw (4733-413) with the hook facing outward and down. The rear hook will be fastened to the exposed floor with the wood screw (1103E101)  $\frac{1}{2}$ " back from the rear of the access doorway and in line with the right rear body panel flange.

For Rio Grande model, refer to Figure 5. Fasten one lashing hook to the back side of the front bulkhead assembly as shown in Figure 5 using one tek screw (4733-413). Attach the rear lashing hook  $\frac{1}{2}$ " from the rear of the access doorway to the upper metal flange on the frame channel with a tek screw (4733-413) with the hook facing outward and down.



**FIGURE 5**  
(Rear view of bulkhead)  
(Rio Grande model only)

6. Stoney Creek, Rio Grande, and Royale models each require one additional lashing hook installed along the curbside front or rear frame channels in from the first corner hook. Refer to Figures 2 and 3 for positioning of hooks. Fasten the lashing hooks to the frame channel using one tek screw (4733-413).
7. Wipe clean the back edge of the canopy support channel with alcohol and apply the appropriate amount of adhesive-backed velcro material (435-00-000-05) along top, back edge of the channel. Do not cover any pre-drilled holes; run velcro between the holes and press down firmly to secure adhesive backing. See Figure 6.

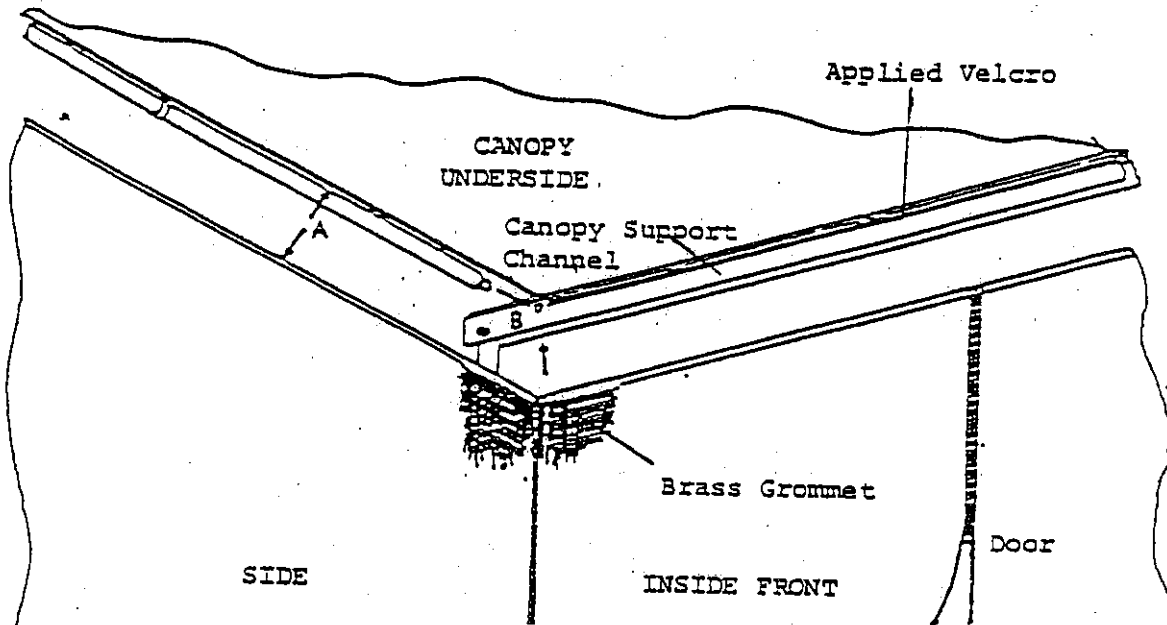


FIGURE 6

### Section B - Attaching the Screen Room

1. Being sure everything is clear and out of the way, lower the top to a comfortable working height and set up your self-storing canopy in the normal manner. Do not install the three ridge support poles at this time.
2. Unfold screen room to approximate set up position (zipper door located directly in front of the access doorway opening). Striped vinyl faces outward on front end of room.
3. Starting at either front corner of the screen room, attach the screen room front wall to the underside of canopy support channel by pressing the two halves of velcro together. See Figure 6.
4. Attach both side walls completely from front to rear on the canopy by pressing the velcro halves together.

**Note:** Canopy end support poles will be on the outside of the screen room enclosure.

5. Crank trailer top to full height.
6. Pull the rear screen room vinyl flap around the back of each lift assembly. Wrap the vinyl flap of the screen room around each lift assembly and secure the two flap halves together by pressing the velcro strips firmly together.
7. Twist and pull one telescoping ridge pole (provided in canopy package) apart to a length equivalent to the distance between the trailer top and canopy support channel. Allow the snap button on the inner pole to pop into the nearest hole on the outer pole to lock poles at this length.

8. From inside the screen room, insert straight tip on ridge pole through the brass grommet on either front inside corner of screen room and into the 7/16" hole 4" in from end of U-channel on front end of canopy support beam. Allow the canopy storage bag to lie flat against the trailer top assembly. Place the small upper rear screen room flap atop the canopy storage bag. Place the opposite end of the ridge pole (rubber cap end) through the loop sewn to the canopy bag and over top the small upper rear screen room flap. Adjust the ridge pole until tight.
9. Repeat Steps 7 through 9 for opposite side wall of screen room.
10. Insert center ridge pole in same manner as side ridge poles; adjust and lock center pole.
11. Attach screen room ties to side ridge poles for additional support.
12. Route elastic shock cord behind rear lift assembly and attach to white plastic lashing hook installed on body rail.
13. Repeat Step 13 for front lift assembly.
14. Attach elastic shock cords along the bottom skirt of the screen room to lashing hooks installed along the exposed lower frame channels directly below the curbside body panel.
15. Pull vinyl bottom skirt of screen room inside room.
16. Raise bottom skirt to locate tie-down stake loops and drive stakes into ground at appropriate locations.
17. Attach exterior front corner ties of screen room to canopy poles.  
  
Note: Canopy poles should be located outside the screen room enclosure.
18. Check ridge poles and canopy poles for proper tension and to insure they are locked into position.
19. Roll up the screen room privacy flaps and secure to the ties located above the window screens.  
  
Note: Screen room flaps are designed for privacy only and are not intended to be waterproof.

### Section C - One-hand Door Zipper Operation

1. To operate the zipper on the outside of the screen room, place one foot on one of the large loops located at the bottom of the door flap. Holding the loop securely to the ground with your foot, raise the zipper slider with one hand, and enter the screen room area.
2. To operate the zipper from inside the screen room, place one foot on the vinyl flap at the bottom of the door opening. Hold the flap to the ground, lift the zipper slider with one hand, and exit the screen room.

### Section D - Access Doorway Opening

1. For units equipped with the optional slide out step, place additional velcro on step frame as shown in Figure 4.