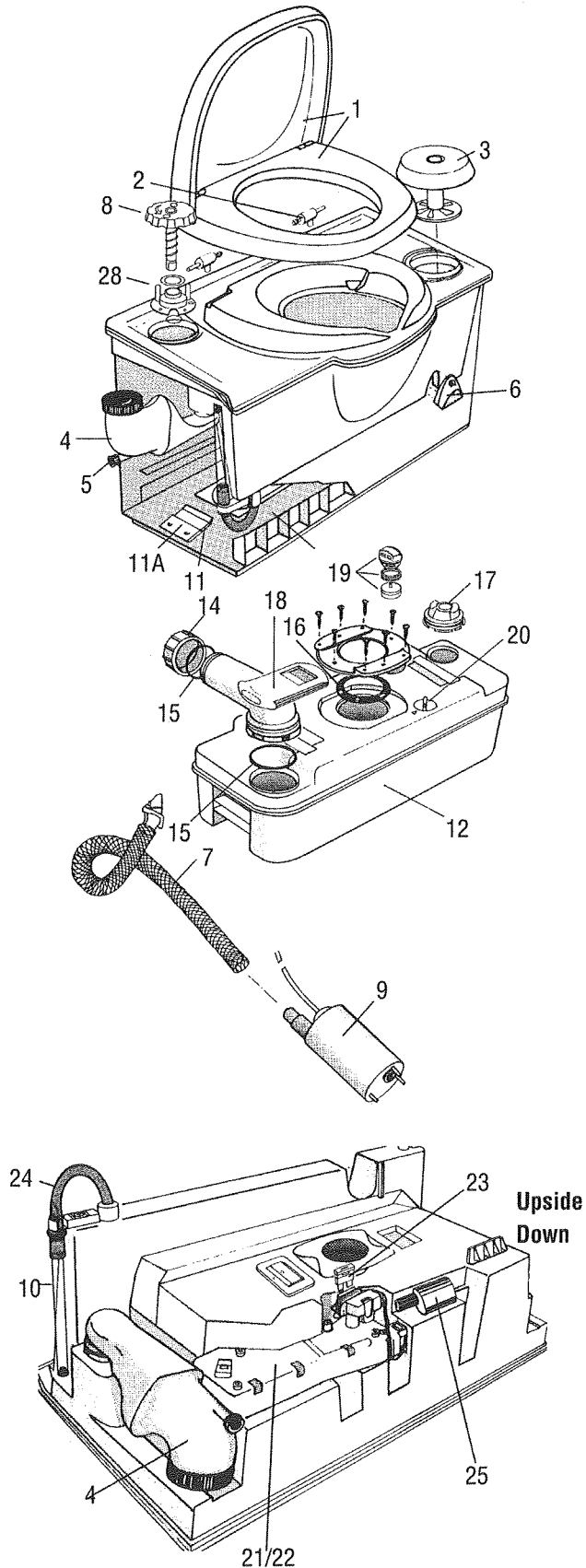


Cassette C2 (Electric)



Key No.	Part No.	DESCRIPTION
1	33154	Seat & Cover – White
2	N/A	Hinge post/pin
3	N/A	Tissue holder – White
4	N/A	Water fill funnel complete
5	33337	Drain cap water fill funnel
6	N/A	Level indicator – White
7	N/A	Flush tube
8	33157	Flush knob
9	33368	Pump
10	N/A	Sight glass
11	16169	Spring (retainer)
11A	N/A	Clip & Clip Retainer (yellow)
12	33205	Holding tank complete – right hand
	33206	Holding tank complete – left hand
14	33160	Dump cap
15	33333	Cap & Spout Seals (2)
16	33331	Lip seal (Pre-6/15/00)
	33361	Lip seal (Post-6/15/00)
17	N/A	Vent plug
18	33203	Sliding cover
19	33210	Auto vent assembly
20	N/A	Blade opener
21	33158	Mechanism assembly – Dark gray
22	33340	Wiring harness
23	33342	Fuse, 3.0 Amp
24	N/A	Drain tube – left hand
	N/A	Drain tube – right hand
25	N/A	Flasher
28	N/A	Stop retainer
		NOT SHOWN
	33353	Switch
	16202	Mounting Bracket
		N/A = Not Available