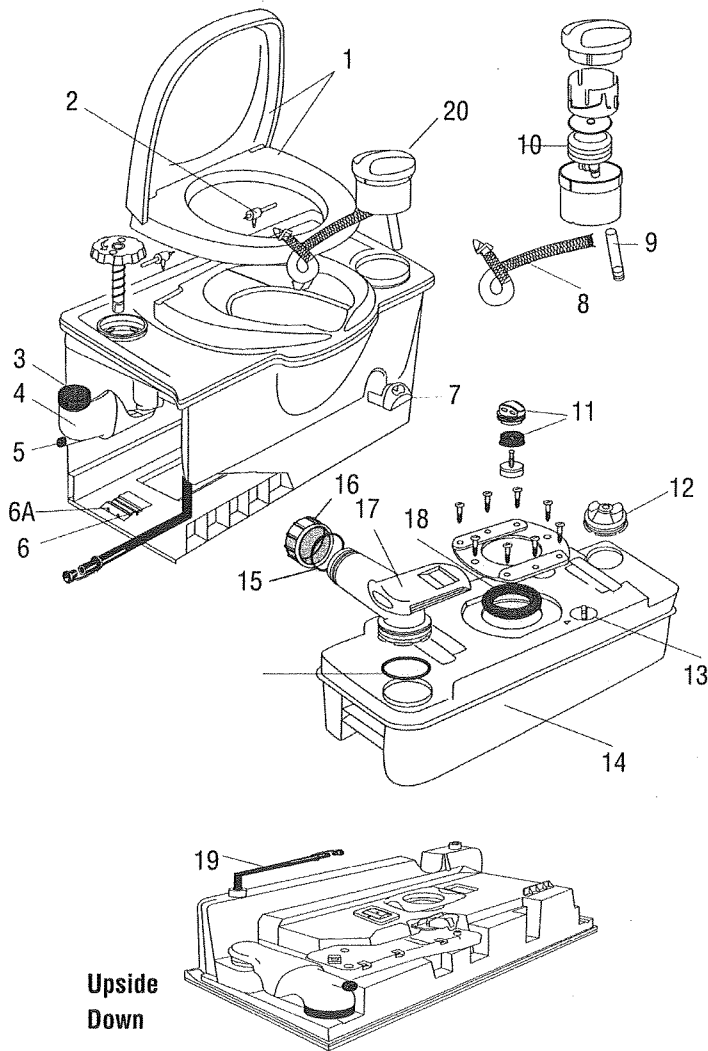


Cassette C4 (Manual)



Key No.	Part No.	DESCRIPTION
1	33154	Seat & Cover
2	N/A	Hinge post/pin (2) – White
3	N/A	Cap water fill funnel
4	N/A	Water fill funnel complete
5	33337	Drain cap water fill funnel
6	16169	Spring clip retainer
6A	N/A	Clip & Clip retainer
7	N/A	Level indicator – White
8	N/A	Flush tube – White
9	33356	Inlet tube
10	33355	Bellows
11	33210	Automatic vent
12	N/A	Vent plug
13	N/A	Blade opener
14	33205 33206	Holding tank complete – right hand Holding tank complete – left hand
15	33333	Cap & Spout seals (2)
16	33160	Dump cap
17	33203	Sliding cover
18	33331 33361	Lip seal (Pre-6/15/00) Lip seal (Post-6/15/00)
19	N/A N/A N/A	Drain tube Drain tube – left hand Drain tube – right hand
20	2029162	Flush Mechanism – White