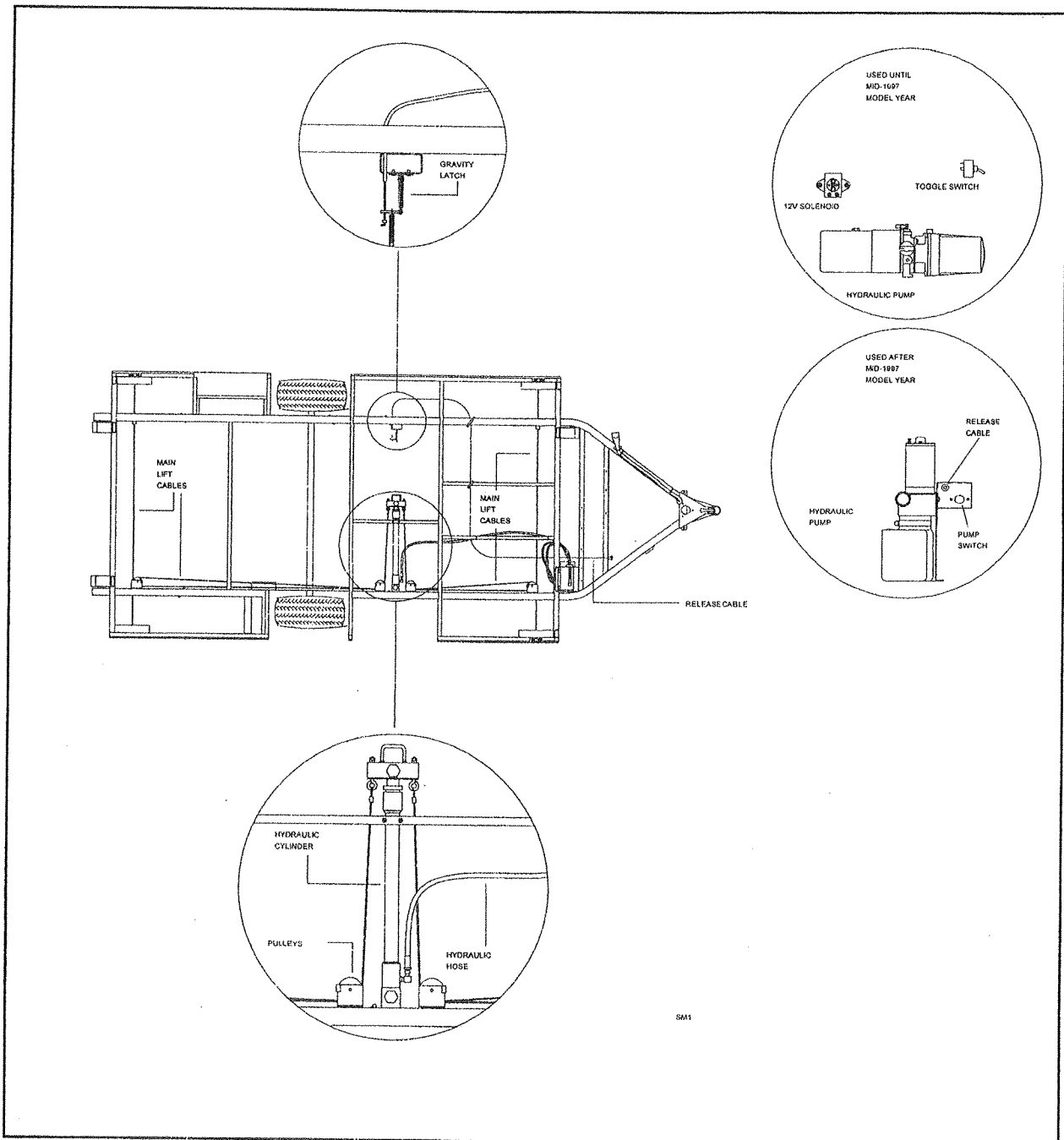


TABLE OF CONTENTS

HYDRAULIC LIFT SYSTEM

HYDRAULIC LIFT SYSTEM COMPONENTS	1
CHANGING THE RELEASE CABLE ASSEMBLY	2
TOGGLE SWITCH	7
HYDRAULIC PUMP	8
HYDRAULIC PUMP REPLACEMENT - OILDYNE MODEL ONLY	9
HYDRAULIC PUMP REPLACEMENT - MONARCH MODEL ONLY	12
12 VOLT HYDRAULIC PUMP WIRING	13
12 VOLT SOLENOID REPLACEMENT	14
GRAVITY LATCH REPLACEMENT	15
HYDRAULIC CYLINDER AND RELATED ASSEMBLIES	17
HYDRAULIC CYLINDER REPLACEMENT	18
REPLACING THE MAIN LIFT CABLE	20
REPLACING THE MAIN CABLE PULLEYS	22

HYDRAULIC LIFT SYSTEM COMPONENTS



CHANGING THE RELEASE CABLE ASSEMBLY

1994 - 1995 Americana Series

1994 - 1995 Four Season Series (Yosemite and Hatteras models)

1996 - 1998 Grand Tour Series (Niagara model)

IMPORTANT NOTE: All 1994 Americana trailers manufactured prior to September 28, 1993 utilized a .032 diameter release cable which was accessed through the hatch cover door located on the front ABS plastic body panel. These old style release cables have now been replaced by a heavier gauge push/pull style cable (.0625 diameter). Furthermore, it was necessary to remount the push/pull cable onto the two metal gas bottle angles welded on the tongue of the trailer.

NOTE: All Yosemite model trailers were manufactured with the heavier push/pull release cable.

REMOVAL AND REPLACEMENT INSTRUCTIONS

These instructions cover removal and replacement of both the old and new style cables. Where applicable, follow the instructions for the specific cable being replaced.

Removal of the old style cable (Americana series trailers only)

1. With the top in the lowered position, remove the old style release cable by cutting off the copper crimp under the trailer at the safety latch. Pull the cable out of the protective plastic sheath. Cut off the excess plastic sheath under the trailer just behind the front frame cross channel. Leave remaining portion intact.

NOTE: Discard any cable clamps or nylon ties securing the cable to the floor.

2. Locate the front and rear metal gas bottle angles welded on the tongue of the trailer.
3. Using a ruler or tape measure, measure 3 3/4" from the inside edge of the curbside main frame bar along the vertical edge of the front gas bottle angle. Place a mark on the gas bottle angle at this point. Using this mark as a reference point, make a second measurement 3/8" down from the top edge of the gas bottle angle and intersect the two marks. See figure 1.

NOTE: Ensure that the marks established are located on the vertical side of the gas bottle angle facing the battery tray.

4. Repeat step 3 for the rear gas bottle angle using a 9 1/4" measurement from the inside edge of the curbside main frame bar and 3/8" down from the top edge of the rear gas bottle angle.

NOTE: Ensure that the marks established are located on the vertical side of the gas bottle angle facing the battery tray.

CHANGING THE RELEASE CABLE ASSEMBLY

Page 2

- Using a drill and a 3/8" drill bit, drill one hole through both front and rear gas bottle angles at the marks established in steps 3 and 4.

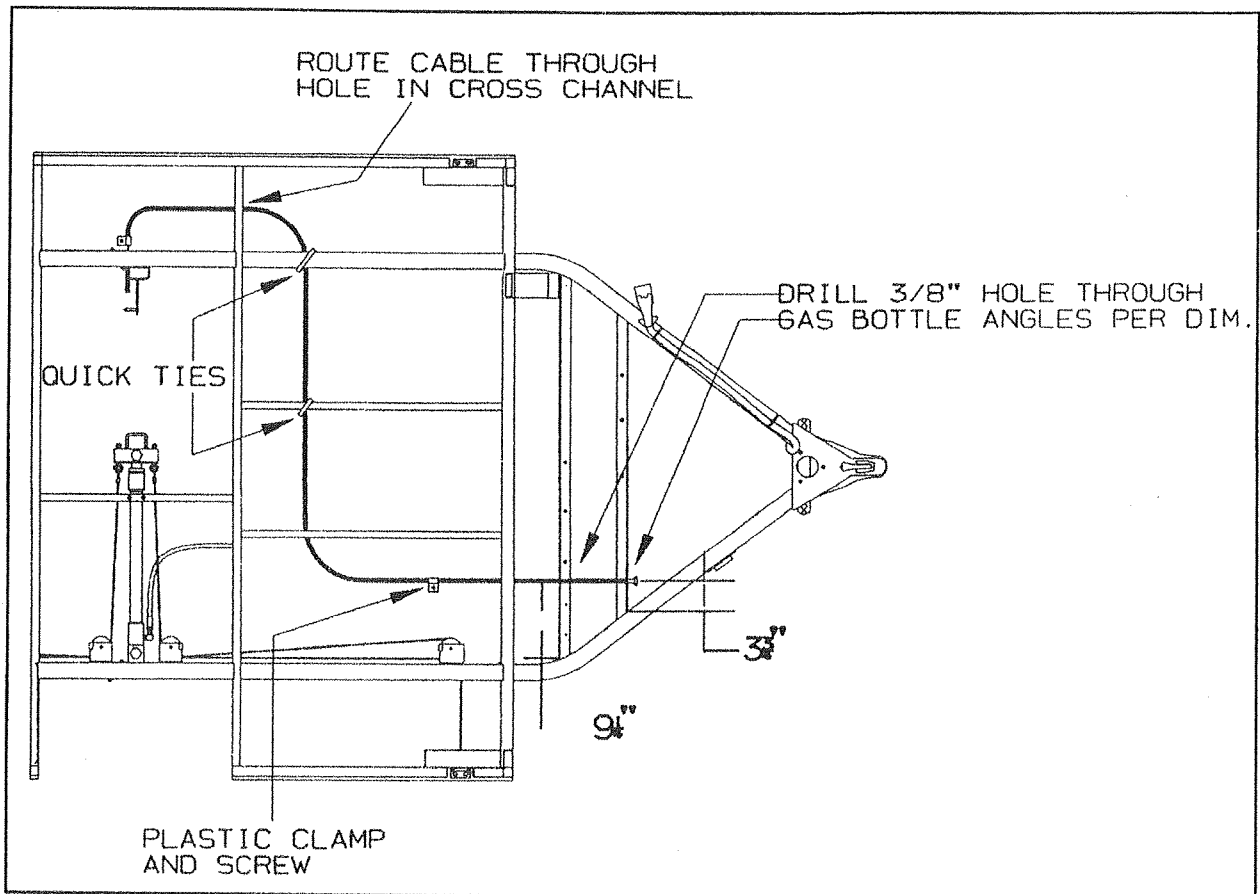


Figure 1

- Proceed to step 11 (skip steps 7 - 10).

Removal of new style cable only (push/pull type)

- With the top in the lowered position, locate the safety latch under the trailer and cut the unprotected cable end between the compression sleeve and the latch screw. See figure 2.

CHANGING THE RELEASE CABLE ASSEMBLY

Page 3

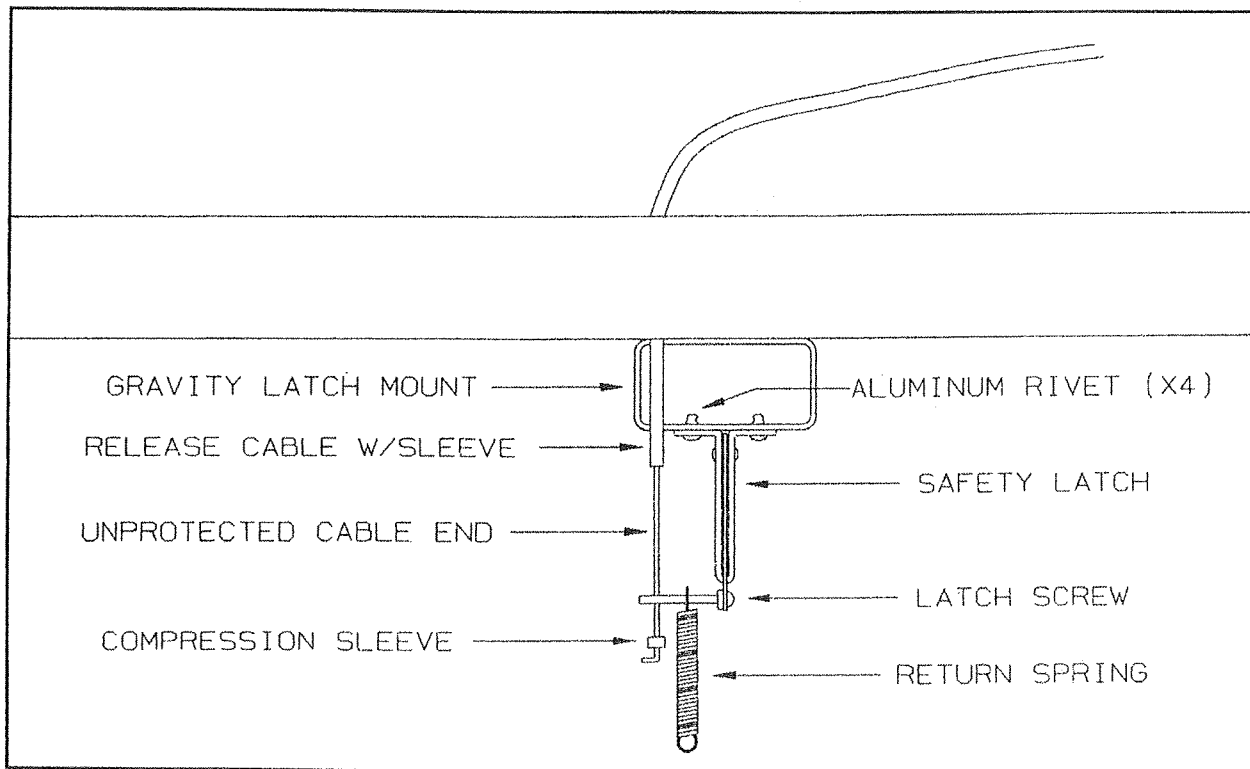


Figure 2

8. Locate the push/pull control assembly at the front gas bottle bracket on the A-frame of the trailer or inside the cabinet assembly (Americana/Grand Tour series) or on the curbside rear cabinet assembly inside the trailer (Four Season series).
9. Using a 9/16" wrench, completely remove the nut and the lock washer from the threaded portion of the push/pull control assembly. See figure 3.

CHANGING THE RELEASE CABLE ASSEMBLY

Page 4

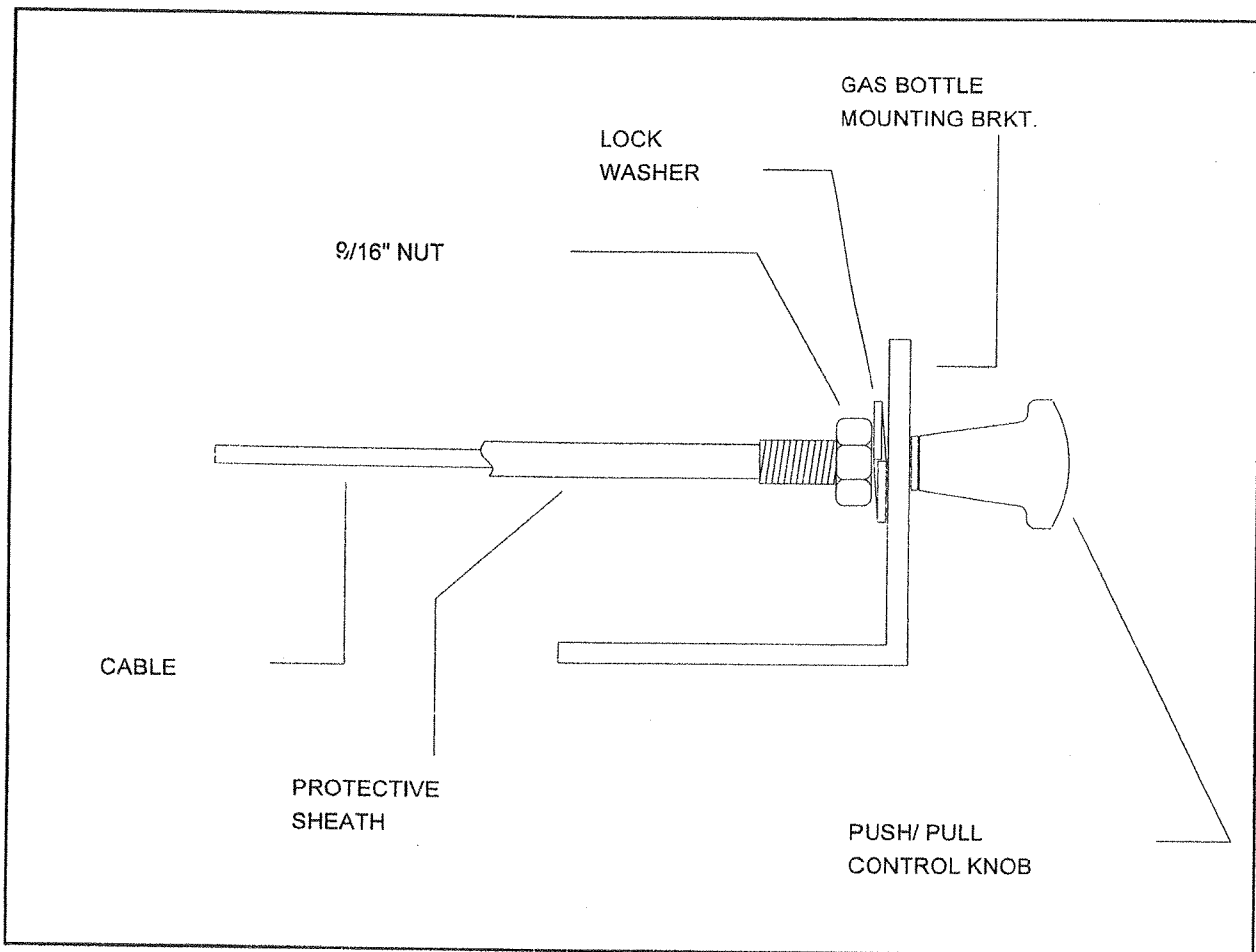


Figure 3

10. Remove the push/pull cable out of the protective sheath.

Installation of push/pull style cable

11. **For Americana series only:** Uncoil the push/pull control assembly from the kit. Remove the nut and lock washer from the rear of the control assembly. (Completely remove the nut and lock washer from the push/pull assembly.)
12. **For later Americana and Grand Tour series only:** Insert the open cable end through the mounting hole drilled in the front gas bottle angle or through the pump mounting plate. (Insert open cable end toward rear of trailer.) Slip the lock washer and tightening nut over the open cable end. Continue routing the cable through the rear gas bottle angle mounting hole or floor.

For Yosemite models only: Remove the push/pull cable only from the protective sheath.

CHANGING THE RELEASE CABLE ASSEMBLY

Page 5

13. **For Americana and Grand Tour series only:** Guide the push/pull control assembly through the front gas bottle angle or pump mounting plate and tighten the nut and lock washer against the gas bottle or mounting plate using a 9/16" wrench. See figure 3.

For Yosemite models only: Route the cable only through the protective sheath to the safety latch.

14. Route the remaining cable under and through (where applicable) the trailer frame. If necessary, space the two plastic clamps and nylon ties as shown in figure 1. Secure the plastic clamps to the trailer floor with the two 5/8" wood screws provided. Refer to figures 1 and 2.
15. Guide the unprotected cable end through the pre-drilled hole in the latch screw. Refer to figure 2.
16. Pull on the unprotected cable end to ensure that the push/pull control assembly at the tongue is fully depressed into the protective sheath.

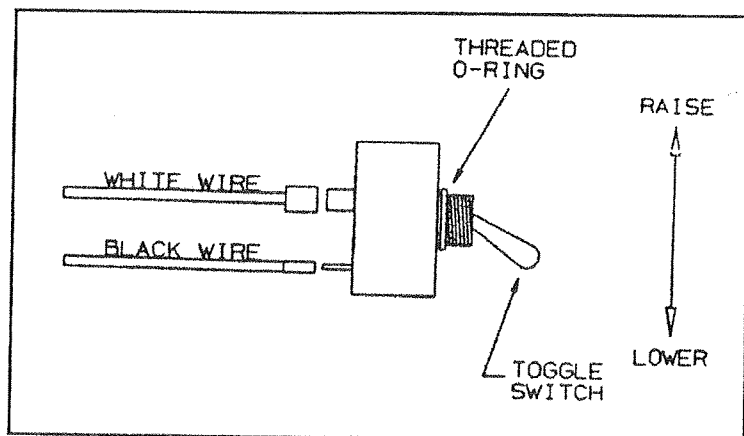
CAUTION: Failure to ensure full engagement of the push/pull control assembly into the protective sheath will not allow the safety latch to function properly.

17. With the push/pull control assembly fully depressed, slide the compression sleeve against the latch screw. See figure 2. Using a pair of pliers, squeeze the compression sleeve tight. Place a 90° bend in the cable directly behind the compression sleeve.
18. Function check the release cable to ensure the safety latch clears the hat bracket on the end of the hydraulic cylinder when fully extended. Slight adjustments may be needed.

TOGGLE SWITCH

NOTE: Applies only to models with Oildyne hydraulic pump.

Description: Off - momentary on
Rating: 15 amps
Operation: 12 volt DC



Toggle Switch Replacement

1994 - 1995 Americana Series and Four Season Yosemite Models
1996 - Mid 1997 Grand Tour Series (Niagara)

1. Disconnect all 12 volt and 110 volt power supplies from the trailer.

WARNING: Failure to disconnect all power supplies could result in electrical shock.

2. **On Americana series trailers:** Loosen the top of the front body panel to access the toggle switch.

On Four Season series Yosemite model only: The toggle switch may be accessed from inside the hutch cabinet located inside the entry doorway.

On Grand Tour series: The toggle switch may be accessed from inside the right front body panel access hatch door.
3. Turn the retaining O-ring counterclockwise and remove it from the toggle switch.
4. Remove the defective toggle switch from either the cabinet or ABS body panel by grasping it from the rear and backing it out of the mounting hole.
5. Remove the black (hot) and white (hot) wires from the rear terminals on the toggle switch. Note the locations at which they were attached (white wire to vertical terminal, black wire to horizontal terminal).
6. Reverse steps 1 - 5 for installation of replacement toggle switch.

HYDRAULIC PUMP

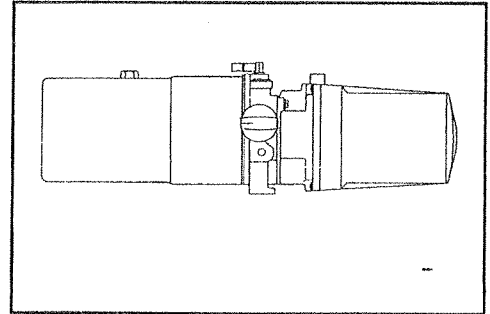
1994 - 1995 Americana Series

1994 - 1995 Four Season Series (Yosemite and Hatteras models)

1996 - Mid 1997 Grand Tour Series (Niagara model)

Oildyne Power Unit Series 108

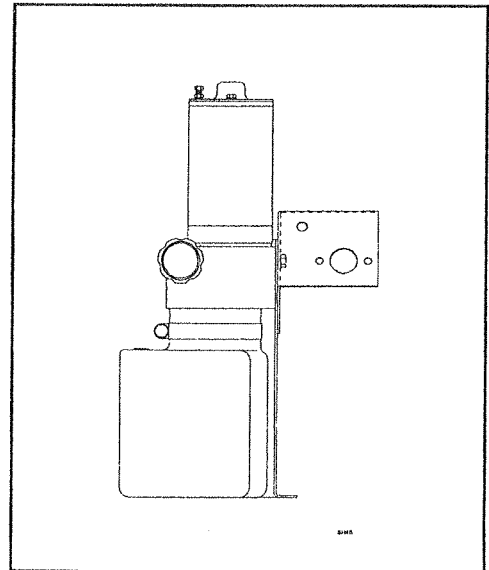
- single direction with check valve
- manual adjustment relief flow valve
- operating pressure: 3200 P.S.I.
- relief flow control pressure: 3200 P.S.I.
- thermal relief pressure: 3800 P.S.I.
- Motor Code: 12 volt DC series wound
- Pump size: .190
- C.I.P.R. (cubic inches per revolution) flow: .0149
- Reservoir size: 46 cubic inches (23 cubic inches usable)
- Port size: SAE 4 (7/16" - 200NF)
- Operating amperage: 40 amps
- Replacement fluid: Dexron II ATF (automatic transmission fluid)
- Battery required: deep cell (12V) 24 series (27 series recommended)



Mid 1997 - 1998 Grand Tour Series (Niagara Model)

Monarch Model M-259

- single direction with check valve
- manual adjustment relief flow valve
- operating pressure: 3000 P.S.I.
- relief flow control pressure: 3000 P.S.I.
- thermal relief pressure: N/A
- Motor Code: 12 volt permanent magnet
- Pump size: #72
- C.I.P.R. (cubic inches per revolution) flow: .031
- Reservoir size: 63 cubic inches
- Port size: SAE 4 (7/16" - 200NF)
- Operating amperage: 50 amps (Max. 150 amps)
- Replacement fluid: Dexron II ATF
- Battery required: deep cell (12V) 24 series (27 series recommended)



HYDRAULIC PUMP REPLACEMENT - OILDYNE MODEL ONLY

1994 - 1995 Americana Series Only

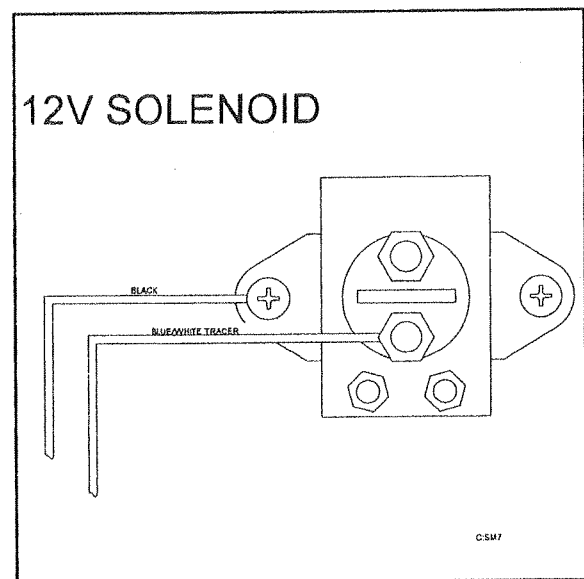
1994 - 1995 Four Season Models (Yosemite and Hatteras)

1996 - Mid 1997 Grand Tour Series (Niagara Model)

1. Disconnect all 12 volt and 110 volt power supplies to the trailer.
2. **On Americana series trailers**, it is necessary to loosen the front ABS plastic body panel to access the hydraulic pump assembly:
 - a. Using a socket wrench with a 1/4" socket, remove the four hex head bolts from each top latch assembly on the front body panel.
 - b. Open the hydraulic pump access door on the front or curbside front body panel and remove the retaining O-ring from the toggle switch assembly. Push the toggle switch back through the ABS plastic body panel or metal mounting plate.
 - c. **1994 - 1995 models:** Using a 7/16" wrench (preferably with a 90° angle handle), securely hold the relief flow valve knob backing nut in place while turning the relief flow valve knob **CLOCKWISE**; removing it from the threaded stem.
 - d. Pull the front body panel out of the slot at the top of the front body rail to allow access to the hydraulic pump assembly.

NOTE: On Grand Tour series trailers, locate the hydraulic pump inside the right front body panel access hatch door.

3. Locate the 12 volt solenoid behind the front body panel or inside the cabinet assembly.
 - a. Using a 7/16" wrench, remove the retaining nut on the 12 volt "hot" wire (blue with white tracer) that runs from the solenoid to the hydraulic pump. Remove the wire from the solenoid terminal. See figure.
 - b. Using a phillips screwdriver, remove the retaining screw that attaches the black wire to the solenoid base.



HYDRAULIC PUMP REPLACEMENT

Page 2

- Using two 9/16" wrenches, remove the hydraulic hose from the 90° fitting on the hydraulic pump assembly. See figure 2.

CAUTION: DO NOT allow hydraulic fluid to come in contact with the interior paneling, linoleum, body panel, etc. It will cause discoloration.

Using a 9/16" wrench, loosen the lock nut and remove the 90° elbow fitting from the pump.

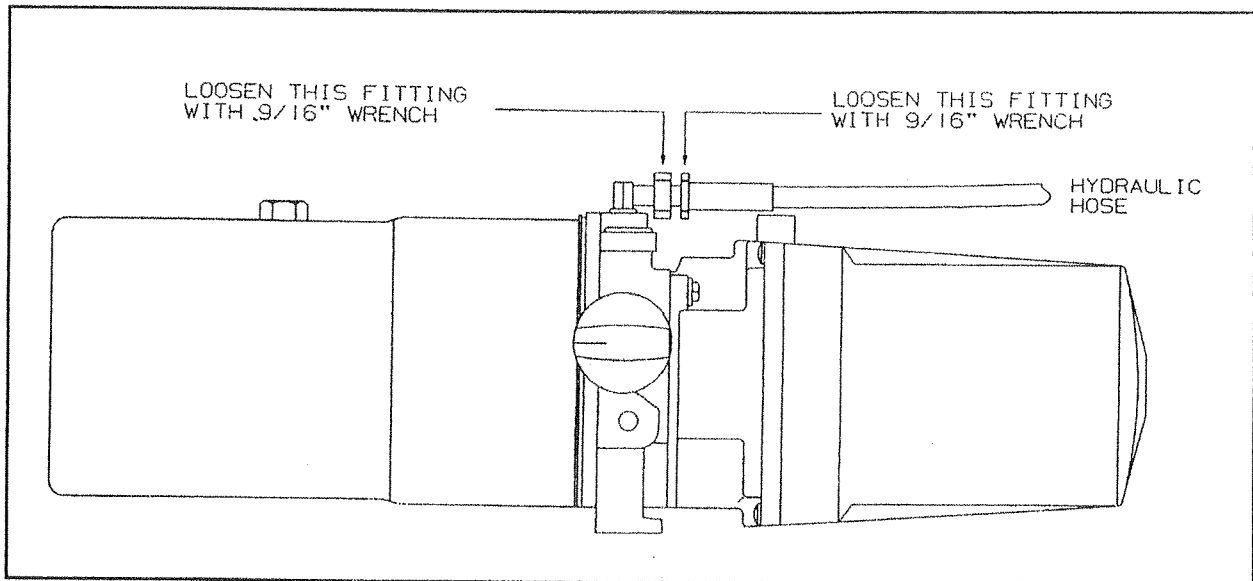


Figure 2

- Using a ratchet and a 9/16" deep well socket (and a short extension if necessary), remove the two mounting bolts from the bottom of the hydraulic pump assembly.

NOTE: On some models it will be necessary to loosen the mounting plate from the floor to properly access the bolts.

- Remove the defective hydraulic pump assembly from the trailer.

CAUTION: Do not turn the pump assembly upside down as hydraulic fluid will leak from the breather cap and hydraulic hose fitting.

HYDRAULIC PUMP REPLACEMENT

Page 3

7. To install the replacement pump:
 - a. Remove the plastic plug from the port on the replacement pump.
 - b. Install the 90° elbow fitting in the replacement pump so the opening points away from the breather cap.
 - c. Insert the pump and secure it with the two 9/16" mounting bolts.
 - d. Re-connect the hydraulic hose to the hydraulic pump.
 - e. Re-connect the 12 volt (blue with white tracer) and ground (black) wires to the solenoid.
8. Remove the brass breather cap from the top of the hydraulic pump and fill the cylinder within 1/4" of the top with Dexron II automatic transmission fluid.
9. Re-connect the 12 volt power supply to the hydraulic pump.
10. Close the hydraulic relief flow valve and flip the toggle switch up to raise the top assembly.

NOTE: The top assembly may not reach its maximum height.
11. Open the relief flow valve to lower the top assembly.
12. Once the top assembly has been lowered, remove the brass breather cap and refill the cylinder to within 1/4" of the top of the cylinder.
13. Repeat steps 10 through 12 until the top assembly reaches its maximum height and the fluid level in the hydraulic cylinder remains 1/4" from the top of the cylinder when the top assembly is in the lowered position.
14. Place the toggle switch through the opening in the front body panel or metal mounting plate and secure it with the retaining O-ring.
15. Reinstall the front body panel by sliding it back into the body rail and attaching the two top latches on the front of the body panel.

NOTE: On some models, re-secure the pump mounting plate to the floor or cabinet assembly.
16. Place a few drops of loc-tite on the threads of the relief flow valve stem and install the adjusting knob.

HYDRAULIC PUMP REPLACEMENT - MONARCH MODEL ONLY

Mid 1997 - 1998 Grand Tour Series (Niagara Model)

1. Disconnect all 12 volt and 110 volt power supplies to the trailer.
2. With the top in the lowered position, open the compartment door on the curbside front body panel to gain access to the hydraulic pump.
3. Disconnect the red wire from the top of the hydraulic pump.
4. Using a 9/16" wrench, remove the two bolts securing the switch/release cable bracket to the side of the pump.
5. Remove the four Phillips screws securing the pump to the floor.
6. Disconnect the hydraulic hose from the pump.
7. Remove the black wire from the back of the hydraulic pump.
8. Remove the two black mounting brackets from the pump.
9. Reverse steps 1 through 8 to install replacement pump.
10. Fill the replacement pump with Dextron II Automatic Transmission Fluid.
11. Close the relief flow valve and raise the top assembly.

NOTE: The top assembly may not reach its maximum height.
12. Open the relief flow valve and lower the top assembly.
13. Once the top has been lowered, check the fluid level in the hydraulic reservoir. If necessary add fluid.
14. Repeat steps 11 through 13 until the top assembly reaches its maximum height (45 1/2" - 46") and all air has been bled from the hydraulic system.

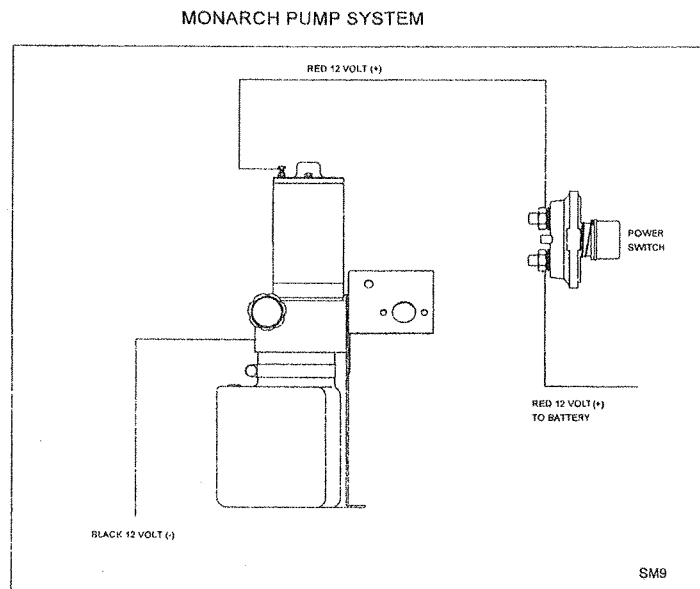
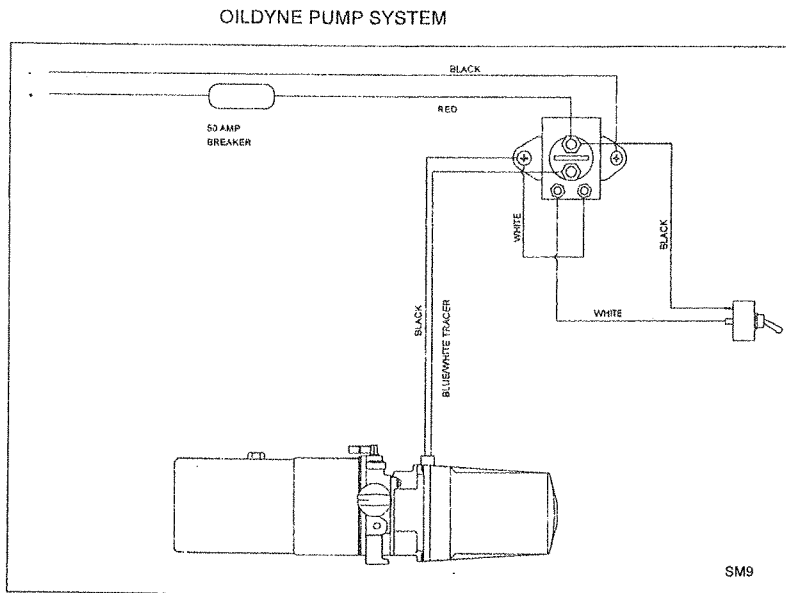
12 VOLT HYDRAULIC PUMP WIRING

Oildyne Pump System, used on:

- 1994 - 1995 Americana Series (Sequoia and Williamsburg Models)
- 1994 - 1995 Four Season Series (Yosemite and Hatteras Models)
- 1996 - Mid 1997 Grand Tour Series (Niagara Model)

Monarch Pump System, used on:

- Mid 1997 - 1998 Grand Tour Series (Niagara Model)



12 VOLT SOLENOID REPLACEMENT

1994 - 1995 Americana Series Only (Sequoia and Williamsburg models)

1994 - 1995 Four Season Series (Yosemite and Hatteras Models)

1996 - Mid 1997 Grand Tour Series (Niagara model)

1. Disconnect all 12 volt DC and 110 volt AC electrical supplies to the trailer.

NOTE: On Grand Tour series trailers, locate the solenoid inside the right front body panel access door hatch.

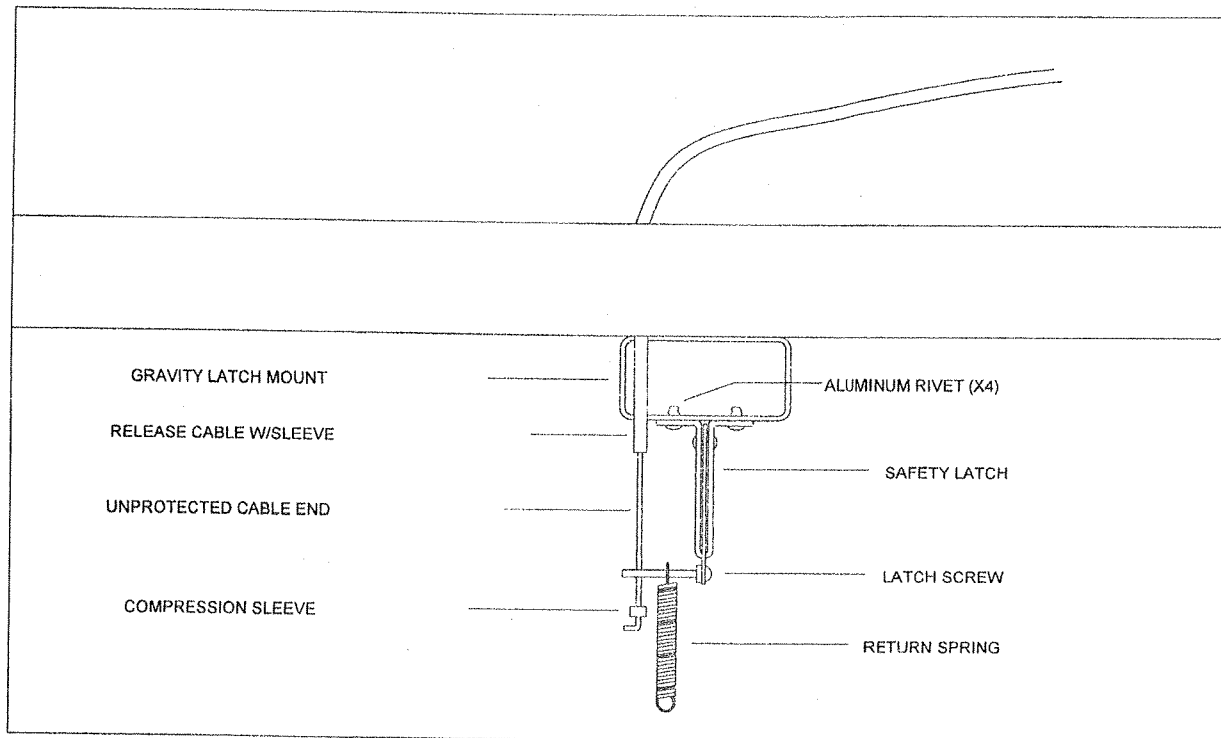
2. Using a socket wrench with a 1/4" socket, remove the four hex head bolts from each top latch assembly on the front body panel. (Not necessary on Grand Tour and Four Season models.)
3. Remove the retaining O-ring from the toggle switch assembly.
4. **1994 - 1995 Americana models only:** Using a 7/16" wrench (preferably with a 90° angle handle), securely hold the relief flow valve knob locking nut in place while turning the relief flow valve knob **CLOCKWISE**; removing it from the threaded stem.
5. Pull the front body panel out of the slot at the top of the front body rail to allow access to the 12 volt solenoid. (Not necessary on Four Season or Grand Tour models.)
6. Locate the 12 volt solenoid behind the front body panel or pump mounting plate and remove all wires from the solenoid, noting their routing and attachment points for reinstallation. See diagram of 12 volt hydraulic pump wiring.
7. Using a phillips screwdriver, remove the two mounting screws from the solenoid and remove the 12 volt solenoid.
8. Install the replacement solenoid by performing the following steps:
 - a. Using two phillips screws, mount the solenoid to the mounting plate.
 - b. Reattach the wires in their proper locations.
 - c. Insert the toggle switch through the opening in the front body panel or pump mounting plate and install the retaining O-ring.
 - d. Reattach the front body panel and top latches. (Not necessary on Four Season or Grand Tour models.)
 - e. Install the relief flow valve knob on the threaded stem.

GRAVITY LATCH REPLACEMENT

1994 - 1995 Americana Series (Sequoia and Williamsburg models)

1994 - 1995 Four Season Yosemite Models (Yosemite and Hatteras models)

1996 - 1998 Grand Tour Series (Niagara model)



C.S.M.10

1. With the top in the lowered position, locate the gravity latch assembly on the main frame channel under the roadside of the trailer.
2. Using needle-nose pliers, remove the latch spring from the latch screw.
3. Using wire cutters, cut the release cable between the release cable crimp and the latch screw.
4. Using a phillips screwdriver and a 3/8" wrench, remove the latch screw from the gravity latch assembly.
5. Using a drill with a 3/16" drill bit, drill out the four aluminum rivets securing the gravity latch assembly to the gravity latch mount.
6. Remove the defective gravity latch assembly.
7. Using four aluminum rivets, attach the replacement gravity latch to the gravity latch mount.

GRAVITY LATCH REPLACEMENT

Page 2

8. Using a phillips screwdriver and a 3/8" wrench, install the latch screw on the gravity latch ensuring that the hole for the release cable is in a horizontal position.
9. Since the release cable was cut to remove the latch screw, it will be necessary to install a new release cable. Please refer to the instructions for changing the release cable assembly on page 51.
10. Using needle-nose pliers, reattach the latch spring to the latch screw on the gravity latch assembly.
11. Using needle-nose pliers, reattach the latch spring to the latch screw on the gravity latch assembly.
12. Raise the top assembly to engage the gravity latch and check for smooth operation of the push/pull release cable and gravity latch assembly.

HYDRAULIC CYLINDER AND RELATED ASSEMBLIES

- 1994 - 1995 Americana Series (Sequoia and Williamsburg models)
- 1994 - 1995 Four Season Series (Yosemite and Hatteras models)
- 1996 - 1998 Grand Tour Series (Niagara model)

1994 AMERICANA

Monarch Hydraulic Cylinder Specifications

- CS100 - 18.00 RAM Cylinder
- 1 inch bore rod-chromed
- 18 inch stroke
- V pack seals

Hydraulic Hose Specifications

- Diameter: 1/4" hose
- Length: 77"
- 1/4" female swivel one end
- 37° JIC flare one end

Fittings

- 7/16 - 20 O-ring 37° JIC flare 90° elbow

1995 AMERICANA

1994 - 1995 FOUR SEASONS

Hydraulic Cylinder (Monarch)

- CS150 - 18.00 RAM Cylinder
- 1 1/2" bore rod-chromed
- 18" stroke
- V pack seals

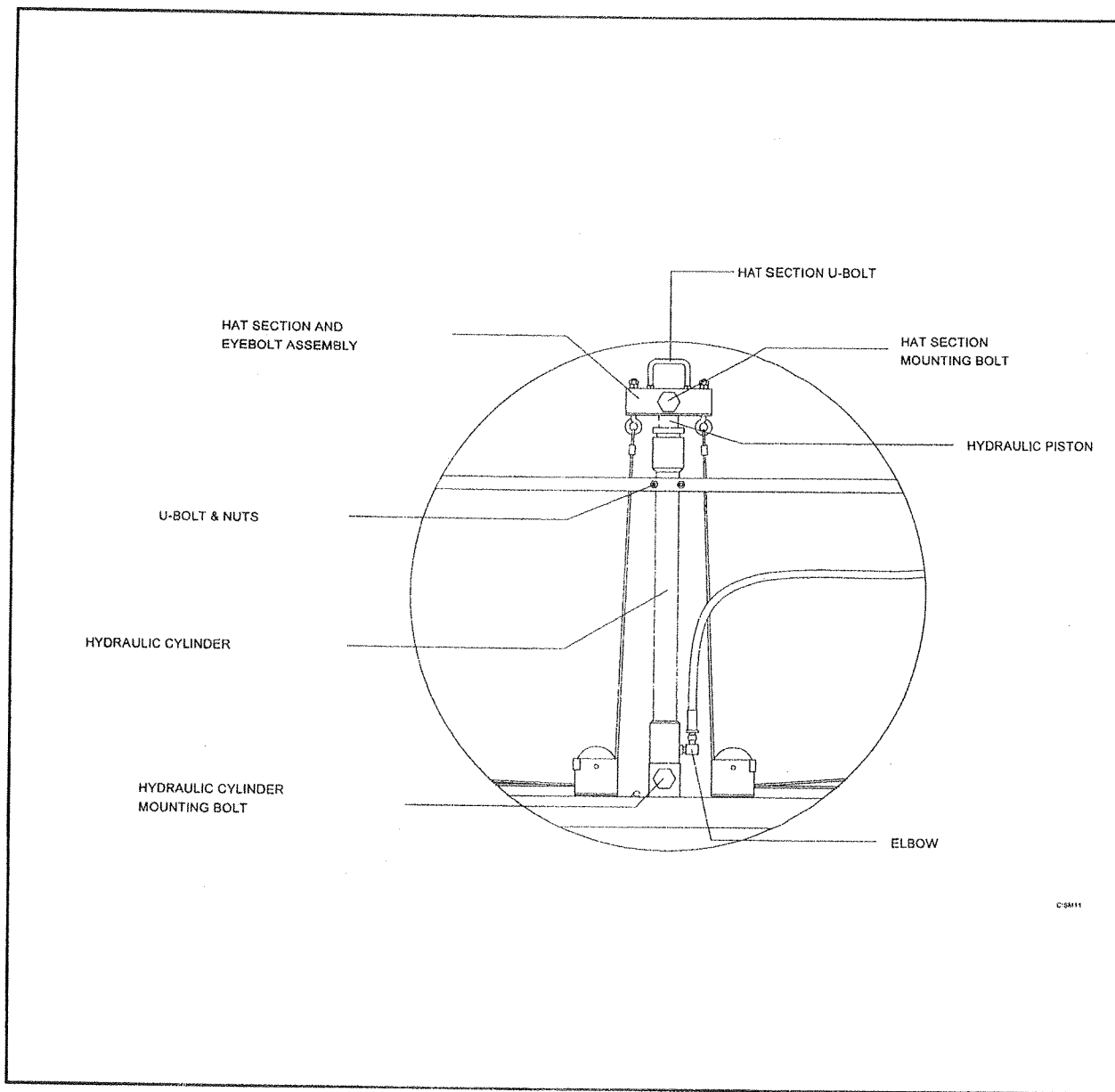
1996 - 1998 GRAND TOUR

Hydraulic Cylinder (Monarch)

- CS150 - 24.00 RAM Cylinder
- 1 1/2" Bore Rod - Chromed
- 24" Stroke
- V Pack Seals

HYDRAULIC CYLINDER REPLACEMENT

1. At each corner of the trailer place a 2" block between the top assembly and the body rail to allow enough slack in the main cables to remove the hydraulic cylinder.
2. Locate the hydraulic cylinder under the curbside of the trailer.
3. Using two 9/16" wrenches, remove the hydraulic hose from the 90° elbow fitting at the base of the hydraulic cylinder. See figure below.



4. Using a 9/16" wrench, remove the 90° elbow fitting from the base of the hydraulic cylinder.

HYDRAULIC CYLINDER REPLACEMENT

Page 2

5. Using two 15/16" wrenches, remove the hydraulic cylinder mounting bolt and nut from the base of the hydraulic cylinder.
6. Using a 7/16" wrench, remove the two nuts from the U-bolt located near the front of the hydraulic cylinder.
7. Slide the base of the hydraulic cylinder out of the mounting bracket and lower the hydraulic cylinder from the trailer frame.
8. Using a socket wrench with a 15/16" socket and a 15/16" wrench, remove the hat section mounting bolt and nut and remove the hydraulic cylinder from the hat section and eyebolt assembly.
9. Using a 9/16" wrench, install the 90° elbow fitting (removed in step 4) in the replacement cylinder. Ensure that the opening points toward the center of the trailer and that there is no dirt inside the fitting.
10. Using a socket wrench with a 15/16" socket and a 15/16" wrench, secure the hat section and eyebolt assembly to the hydraulic cylinder using the nut and bolt removed in step 8.
11. Slide the hydraulic cylinder into the mounting bracket and insert the hydraulic cylinder mounting bolt and nut. Do not tighten.
12. Reinstall the U-bolt and nuts removed in step 8.
13. Go back and tighten the hydraulic cylinder mounting bolt and nut.
14. Install the hydraulic hose on the 90° elbow fitting at the base of the pump.
15. Test the hydraulic system and bleed the lines according to steps 8 through 13 in the hydraulic pump replacement section.

NOTE: On 1994 - 1995 Americana series trailers, it will be necessary to loosen the front body panel to check the fluid level in the hydraulic pump reservoir.

On Grand Tour series trailers, open the right front body panel access door to expose reservoir.

CAUTION: At all times, do not allow hydraulic fluid to come in contact with the linoleum or wood cabinets. Discoloration may occur.

REPLACING THE MAIN LIFT CABLE

1994 - 1995 Americana Series (Sequoia and Williamsburg models)

1994 - 1995 Four Season Series (Yosemite and Hatteras models)

1996 - 1998 Grand Tour Series (Niagara model)

1. Raise the trailer roof to full height and place one support pole under the corner of the top assembly which corresponds to the cable that is being replaced.

<u>YEAR</u>	<u>SERIES</u>	<u>SUPPORT POLE LENGTH</u>
1994 - 1995	Americana	52"
1994 - 1995	Four Season	47"
1996 - 1998	Grand Tour	46"

2. From inside the trailer, locate the two studs which extend from the top assembly down through the top of the affected lift assembly. Using a socket wrench with an extension and a deep well 7/16" socket, remove the lock nuts from the studs.
3. Collapse the lift assembly.
4. Using an electric drill and drill bit, drill out the rivets that attach the lift trim to the outer body rail and slide the lift trim away from the lift.
5. On the underside of the trailer at the bottom of the lift assembly, remove the four bolts which hold the lift to the frame of the trailer.
6. If necessary, cut the main cable which runs from the hat bracket eyebolt to the lift assembly. (This will only be necessary if the cable is not broken.)
7. Pull the lift assembly up and out of the trailer.
8. Look down inside the opening in the body of the trailer where the lift was removed. Locate any obstructions that would hinder the reinstallation of the lift assembly. If wires are found, tape the wires to the inside panel of trailer.
9. Inspect all pulleys for sharp edges and make certain they move freely. Replace where necessary (sharp edges or seized pulleys will cut cables).
10. Place the lift assembly on a work bench and remove the anchor bolt on the bottom lift slide where the main cable attaches.
11. Remove the old cable by pulling the uncrimped end through the bottom butterfly pulley bracket and up through the stationary lift pulley bracket.
12. Install the replacement cable by reversing step 11.

REPLACING THE MAIN LIFT CABLE

Page 2

13. Attach the pre-looped end of the cable to the anchor bolt and tighten.
14. With the repaired lift in hand, guide the stainless steel cable down through the hole in the body rail of the trailer and out through the hole in the trailer frame channel.
15. Reach under the trailer and pull the loose end of the cable, guiding the lift down into the trailer.
16. Fasten the lift to the frame using the four bolts removed in step 5.

NOTE: Tighten the bolts and back off 1/4 turn.

17. With the lift assembly collapsed, **CAREFULLY** lower the top assembly to the body of the trailer making sure the lift studs extend through the top of the lift assembly. Secure the top corner down with the top latch.

CAUTION: It will be necessary for one person to hold the corner of the top assembly while another person opens the hydraulic relief flow valve to lower the top.

18. On the underside of the trailer, make certain the pulley on the adjustable pulley bracket is placed in the hole closest to the frame of the trailer. Also, loosen the nuts on the hat bracket eyebolt to allow for future adjustment of the cable.
19. Route the long cable through the pulleys and to the hat bracket area.
20. Slide a cable crimp onto the cable. Route the cable through the eyebolt and back through the cable crimp. Pull the cable tight and hold in place with a pair of vice grips. Push the cable crimp as close to the eyebolt as possible and compress the crimp with the cable crimping tool, making two crimps.
21. Cut off any excess cable.
22. Raise the trailer top and install the lock nuts on the lift studs that extend down through the lift assembly.

NOTE: Only turn the lock nuts up onto the studs approximately 1/2 the distance of the threads so that the top can move and fit over the trailer body when closing.

23. Check the distance between the top assembly rubber seal and the body rail to insure that the proper lift height is attained.

<u>YEAR</u>	<u>SERIES</u>	<u>RECOMMENDED TOP HEIGHT</u>
1994 - 1995	Americana	51 1/2" - 52"
1994 - 1995	Four Season	46 1/2" - 47"
1996 - 1998	Grand Tour	45 1/2" - 46"

If top height adjustment is necessary, refer to "Adjusting The Top Height" section.

REPLACING THE MAIN CABLE PULLEYS

1994 - 1995 Americana Series (Sequoia and Williamsburg models)

1994 - 1995 Four Season Series (Yosemite and Hatteras models)

1996 - 1998 Grand Tour Series (Niagara model)

1. Raise the top assembly approximately two feet.
2. Pull front and rear beds out only to extend past the body rails.
3. Completely lower the top assembly onto the extended beds. This will allow slack in the cables, relieving pressure from the pulleys.
4. From underneath the trailer, ensure that the lift cables are not exerting pressure on the pulleys. If additional slack is required, manually push the piston and hat bracket assembly toward the hydraulic cylinder.
5. From underneath the trailer, remove the pin from the pulley to be replaced and remove the pulley.
6. Insert the replacement pulley and install the pulley pin from the top of the pulley bracket. Place the cotter pin through the pulley pin.
7. Push beds back into the travel position and lower the top.