



FOLDING TRAILERS
BY FLEETWOOD.

INSTALLATION INSTRUCTIONS

SELF-STORING CANOPY INSTALLATION INSTRUCTIONS

For 8', 9', 9 1/2', 10', and 11' Model Canopies

This package contains:

- a. 2 - 4724-255 12" Hook stake
- b. 2 - 4724B393 Rope adjuster
- c. 2 - 8460A143 Poly rope
- d. 2 - 4733-411 Tek screw
- e. 3 - 4723A5291 Pole assembly
- f. 3 - 4741-497 Rubber bumper

INSTRUCTIONS

1. Slide the canopy storage bag into the canopy track located on the right side or door side of the camping trailer top assembly. Center the canopy bag in the track. To determine the size of the canopy being installed, refer to the chart size below.

NOTE: Measurements are made at the metal canopy support channel.

8'	-	85"
9'	-	99"
9 1/2'	-	105"
10'	-	117"
11'	-	123"

(+) or (-) 1" tolerance

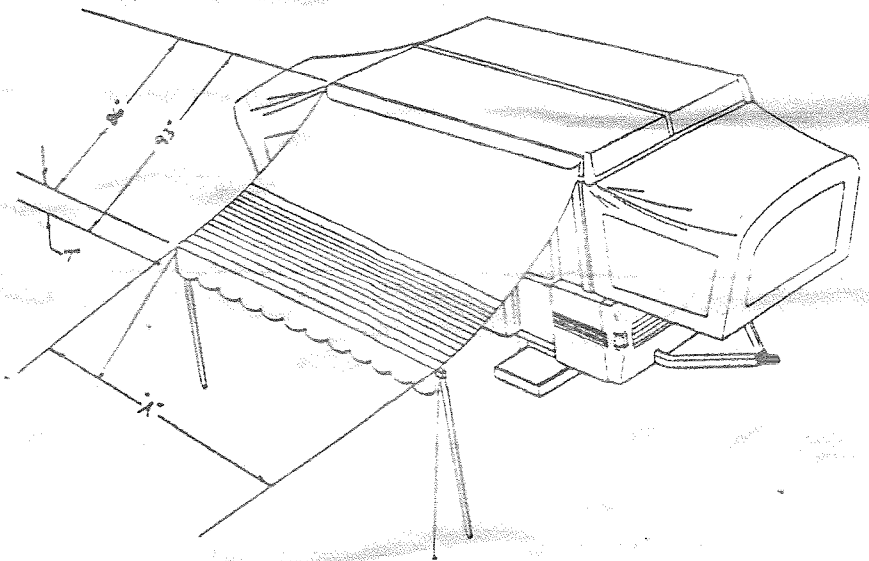


FIGURE 1

4. Locate the two 4733-411 tek screws supplied. Using an air or electric driver, install one self-tapping tek screw through each end of the canopy track 1/2" back from each end of the track. See Figure 2. Tek screws can be inserted from either the top or bottom side of the canopy track. Tek screws must penetrate through the rubber seal sewn onto the canopy bag. This will retain the canopy in the track during transit.

NOTE: Care should be used when fastening the tek screws to avoid slipping off and damaging the aluminum skin of the top assembly.

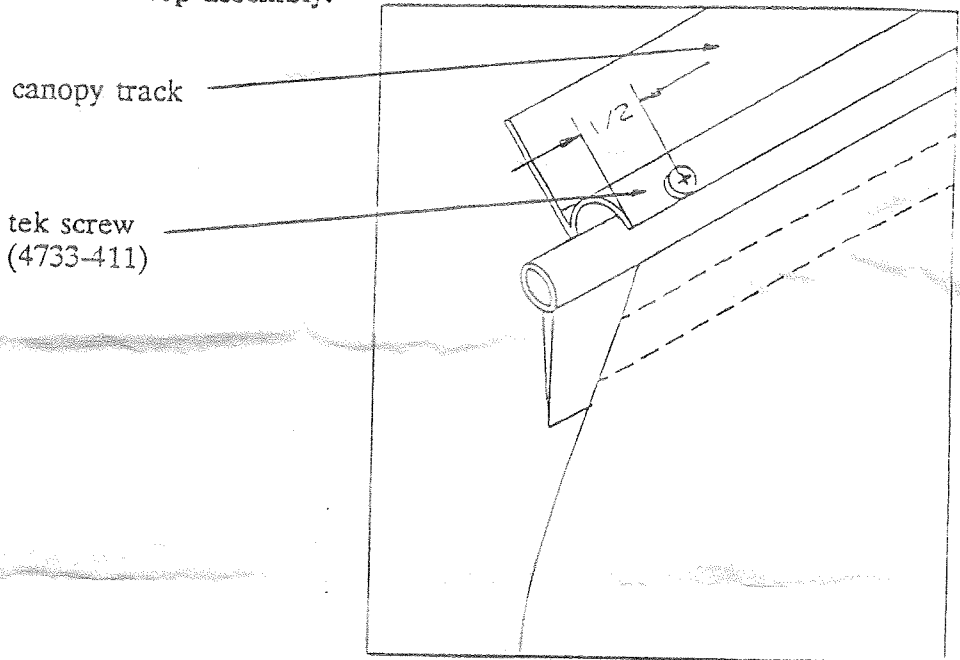


FIGURE 2

3. Raise the trailer top approximately halfway, unzip the canopy storage bag and unroll the canopy.
4. Install one rope adjuster (4724B393) to each rope end and thread the opposite end of rope through the hole located at each end of the canopy support channel. See Figure 3.

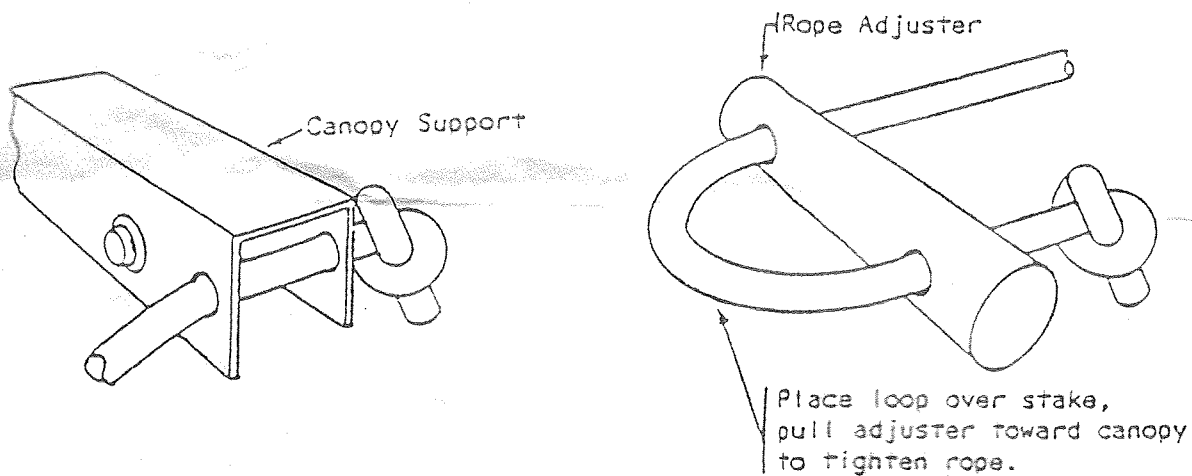


FIGURE 3

5. Swing the two adjustable support poles down from the underside of the canopy support channel. Drive the hook stakes (4724-255) into the ground to the sides of the support poles and place the loop formed by the rope adjuster over the stakes. Tighten ropes by pulling adjusters toward canopy. Raise the trailer top to full height and adjust poles and ropes as required. See Figure 1.

WARNING: During light to heavy periods of rainfall, one adjustable support pole must be lowered approximately 4" to 6" to allow for water drainage from atop the canopy. If not, water build-up could collapse the canopy support channel or tear the vinyl surface of the canopy.

6. Position the three round rubber bumpers (4741-497) 1" below the canopy track on the vertical side of the top assembly. Two of the bumpers should be aligned with the outer edges of the canopy track and the remaining bumper located directly below the center of the track.
7. Twist and pull one telescoping ridge pole (4723A5291) apart to a length equivalent to the distance between the trailer top and inside edge of the canopy support channel. Allow the snap button on the inner pole to snap into the nearest hole on the outer pole to lock the poles at the proper length.
8. Insert the tip of the ridge pole into one of the pre-drilled holes in the canopy support channel. Insert the opposite end of the ridge pole into the corresponding rubber bumper adhered to the top assembly. Adjust poles apart as needed.

CAUTION: Round rubber bumpers must be in position before setting the ridge pole against the trailer top assembly. Failure to use the rubber bumpers will result in damage to the exterior roof.

9. To take down, lower the trailer top approximately halfway, remove ropes from stakes, and fold poles back into canopy support channel. Roll canopy and zip canopy storage bag.

NOTE: The ropes may be rolled up inside the canopy, but the hook stakes should be stored inside the trailer.

Although the canopy can be set up and taken down by one person, we recommend two persons for ease of assembly.

The canopy should be wiped clean and the poles emptied of water prior to long term storage.