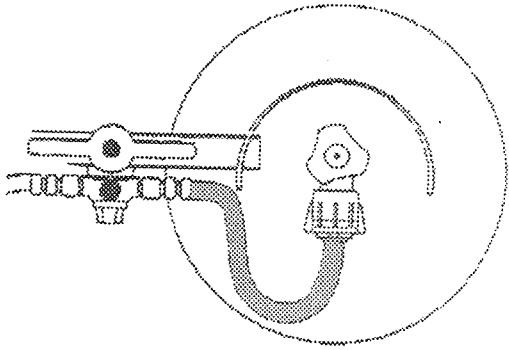


Figure 1

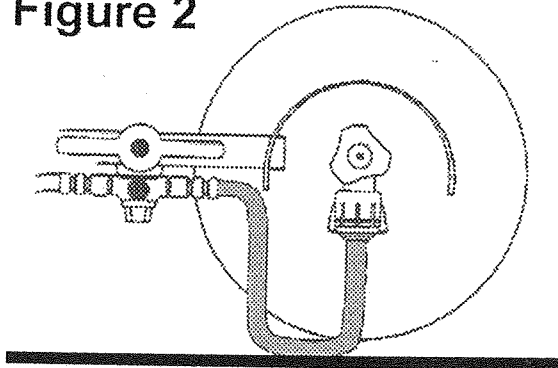


Correct Installation: correct hose length and valve orientation.

Hose length and cylinder valve orientation:

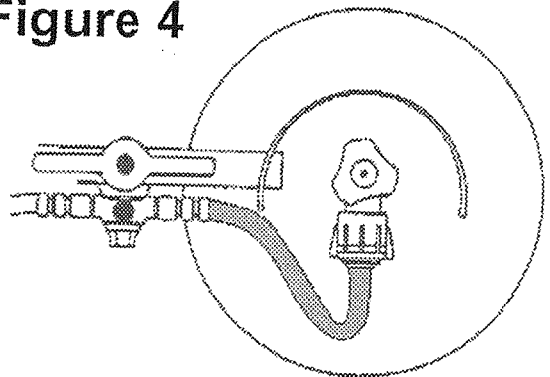
It is important to ensure that the movement required for thermal activation is not restricted, therefore hose assembly lengths and valve orientations are recommended that minimize side load forces and prevent hoses from pushing against rigid cylinder covers or compartment walls and doors (Figure 1). The hose must not extend beyond the shoulder of a cylinder when a rigid cover is used (Figure 2). The hose must not push against compartment walls or doors in any way that will restrict lateral movement needed for thermal activation (Figure 3). Also hose lengths and cylinder valve orientations should be positioned to eliminate tension or pulling on hoses that might cause kinking of the hose, side load forces on the connection or contact with the edges of the cylinder collar (Figures 4 and 5).

Figure 2



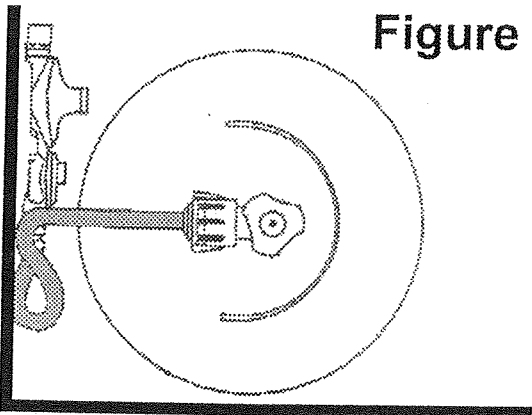
Incorrect Installation: correct valve orientation but incorrect hose length causing contact with a rigid structure.

Figure 4



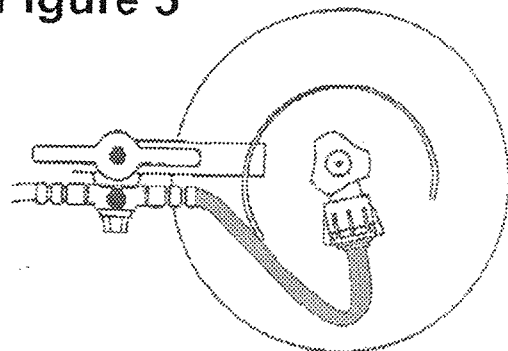
Incorrect Installation: correct valve orientation but incorrect hose length causing the hose to kink.

Figure 3



Incorrect Installation: correct hose length but incorrect valve orientation causing the hose to push back into the wall restricting lateral movement

Figure 5

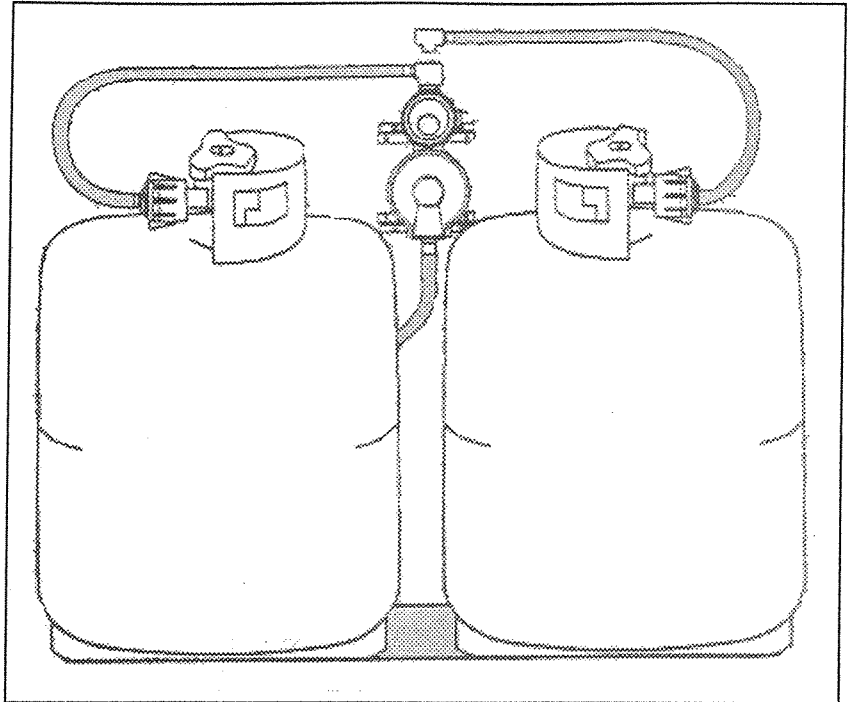


Incorrect Installation: correct hose length but incorrect valve orientation causing the hose to kink or contact the cylinder collar

Fairview

Installation Suggestions QCC1 Connection for RV's

When a second cylinder is added, a tee check is used to replace the inlet elbow and two new pigtails are added. The regulator stays mounted in the original position. Position the cylinder so the valve of the new cylinder is aligned parallel with the face of the camper's front wall. Pigtail hose length must be long enough to avoid tension or pulling stress at either end of the hose or contact with edges of the cylinder collar. Pigtail hose must be short enough to avoid contact with rigid cylinder covers. Pigtails will have 1/4" inverted flare end to thread into tee check.



Head Office:

2245 Kenmore Avenue, Buffalo NY 14207
 Telephone (716) 874-2490 Fax (716) 874-0413
 Continental USA (800) 688-4088
 E-mail - ussales@fairviewfittings.com
 Internet Address - www.fairviewfittings.com

WAREHOUSE/SALES LOCATIONS

Massachusetts:
 22 Prospect Street
 Units 3 & 4

Woburn, MA 01801
 PHONE: (781) 932-1392
 CONTINENTAL: (800) 695-3101
 FAX: (781) 932-8148

North Carolina:
 1800 N. Green Street
 Greenville, NC 27835
 PHONE: (252) 329-1005
 CONTINENTAL: (800) 547-7810
 FAX: (252) 329-1012

Indiana:
 52904 CR 13
 Unit B-17-2A
 Elkhart, IN 46514
 PHONE: (219) 206-8884
 CONTINENTAL: (877) 459-0700
 FAX: (219) 206-8444