

AFFORDABLE FAMILY FUN



INSTALLATION INSTRUCTIONS

Model Number 4749A1371 - 1989 and 1990 Americana Series Roof-Mount Bike Rack

IMPORTANT

This bike rack is designed to be used in conjunction with the 4749A1361 Americana series roof rack and the 4747-5751 Americana series cross bar assembly on 1989 and 1990 Americana series camping trailers only.

Note: One set of bike rack cross bars will accommodate four bike racks.

This package contains:

- | | | |
|---|----------------------|------------------------------|
| a. 2 - 1201E639 10-24 Nut | g. 4 - 1200E126 | 1/4-20 x 5/8" Hex head bolt |
| b. 2 - 4743A278 Nylon spacer | h. 2 - 406-00-001-53 | 4" Piece edge molding |
| c. 2 - 4749A190 Strap assembly | i. 2 - 4747-576 | Bike rack mounting bracket |
| d. 1 - 4737B940 Cycle channel | j. 2 - 1014E1006 | 10-24 x 3/8" Machine screw |
| e. 6 - 1202E040 Washer | k. 2 - 1103E1008 | Stainless steel 1/2" screw |
| f. 4 - 4741-921 1/4-20 Locking flange nut | l. 2 - 1014E1024 | 10/24 x 1 1/2" machine screw |

INSTRUCTIONS

1. Install the 4749A1361 Americana roof rack according to the instructions included in the roof rack package. Do not install the roof rack's tubular cross bars until after completing the bike rack cross bar assembly installation. If the trailer has been previously equipped with a roof rack, remove the tubular cross bars and verify tightness of roof rack mounting hardware. Reinstall the roof rack tubular cross bars after completing the bike rack cross bar assembly installation.

Note: Depending on position of pre-installed roof racks, removal of the front tubular cross bar alone may allow enough room to install the bike rack cross bar assembly to the roof rack.

2. Remove the 4747-5751 bike rack cross bar assembly from the carton.
3. Place the bike rack cross bar assembly on the ground adjacent to the trailer in correct orientation as the cross bar assembly would mount to the roof rack.

Note: When placing the cross bars on the ground, turn the second cross bar opposite the first so that the pre-drilled holes on the top side of the cross bar channels are opposite each other. This will allow four bike racks to be mounted staggered on the cross bar assembly. See Figure 1.

4. Remove the 4749A1371 bike rack from the carton.
5. Spread the two long tube portions of the bike rack apart until the holes in the long support tubes match with the holes in the hinge plate. See Figure 2. Fasten with the two 10-24 x 1 1/2" machine screws (1014E1024) and two 10-24 nuts (1201E639).
6. Fasten the two bike rack mounting brackets (4747-576) to the two flattened bottom ends of the long support tubes with the two 3/8" machine screws (1014E1006) and two nylon spacers (4743A278) provided. The two nylon spacers will be located between the mounting brackets and the support tubes. See Figure 2.

Note: Make certain that the bike rack stop angle on the flattened end of one long support tube faces up when mounting the bike rack to the cross bar assembly. See Figure 3. This small flange prevents the bike rack from falling against the surface of the top assembly. For correct orientation and locations of the bike rack stop angles on the cross bar assembly, refer to Figure 1.

7. Fasten the bike rack/s alternately to the cross bar assembly's two sets of double predrilled holes with the four long hex-head bolts (1200E126), washers (1202E040), and locking flange nuts (4741-921). Refer to Figures 1 and 3.

Note: When installing one or two bike racks, use the two outside cross bar mounting locations 1 and 4. When installing three or four bike racks, use the additional two inside mounting locations 2 and 3. Refer to Figure 1.

IMPORTANT:

Note the orientation of the clamp knobs on the bike racks. It will be necessary to remove and reinstall each clamp bolt and knob to orient the knobs as illustrated in Figure 1.

8. Once the bike rack/s are installed on the bike rack cross bars, lift the bike rack cross bar assembly onto the roof rack. Do not fasten.

Note: The recommended location for mounting the bike rack cross bar assembly is forward of the trailer's axle and within 12" on either side of the front roof rack support brackets. (Refer to cross bar instruction sheet for installation of cross bar assembly to the roof rack.)

9. For each 4749A1371 bike rack, place a cycle channel from cross bar to cross bar and check to make sure of the following:
 - a. Raise each of the bike rack/s tubular support extensions so that they rest on top of the cycle channel once installed.
 - b. That the cycle channels are centered front to back over top the cross bars.
 - c. The cycle channel is centered left to right between the tubular support extensions of each bike rack. See Figure 1.
10. Align holes in cycle channel with center holes in cross bar assembly and fasten with the two stainless steel screws (1103E1008) and washers (1200E040). If no two holes align, adjust cycle channels forward or backward on the cross bars to align one hole and fasten. Drill a 5/32" pilot hole through the opposite cycle channel and cross bar if necessary and fasten with second screw and washer.

Note: The recommended spacing between cross bars is 40" with the cycle channels centered front to back over the cross bars. This set up will accommodate most full-size adult bikes and provide even distribution of the bikes' weight over the cross bars. However, the 40" dimension can be deviated from and the cycle channels moved forward or backward for the following situations:

- a. To accommodate odd size bikes
- b. To bring a cross bar within 12" of a roof rack support bracket
- c. To allow for an air conditioner on smaller units.

In the instance of an air conditioner on smaller units, it may not be possible to use the two inside bike rack mounting locations.

11. Following the installation instructions for the cross bar assembly, securely fasten the cross bar assembly to the roof rack.
12. Install the two 4" pieces of edge molding to the cycle channels where the bike rack's tubular extensions make contact with the cycle channel in the closed or down position.
13. When the bike racks are not in use, lock into the "down" position with the two tire straps provided.

Fastening the Bike to the Rack

1. Stand the bike up with the front wheel ahead of the V-shaped rack support. Open the clamp knob sufficiently to allow the plastic clamps to fit over the slanted bar on the front of the bike. Make sure shifter and brake cables fit into the slots on the side of the clamp before tightening. Tighten the clamp knob until the clamp holds the bike securely.
2. Fasten the wheels and tires to the cycle channel with the straps provided. When bikes are not being carried, use the straps to secure the bike rack tubes to the cycle channel surface.

ATTENTION DEALERS:

The last page of the instruction sheet marked "For the Consumer" should be given to the customer upon completion of installation of the bike rack.

Attachment: Consumer Instructions

Coleman Recreational Vehicles, Inc.
Somerset, Pennsylvania 15501

1968A34
Printed in U.S.A.

Model Number 4749A1371 - 1989 and 1990 Americana Series Roof-Mount Bike Rack

TOP VIEW OF BIKE RACK ASSEMBLIES
IN CORRECT ORIENTATION ON CROSSBARS
NOTE ORIENTATION OF CLAMP KNOBS
AND LOCATION OF BIKE RACK STOP ANGLES

NOTE LOCATION OF
PREDRILLED HOLES

WHEN CARRYING 2 BIKES
USE OUTSIDE LOC. 1 & 4

BIKE RACK
STOP ANGLE

CYCLE CHANNEL

OUTSIDE
LOC.
1

LOC.
2

LOC.
3

OUTSIDE
LOC.
4

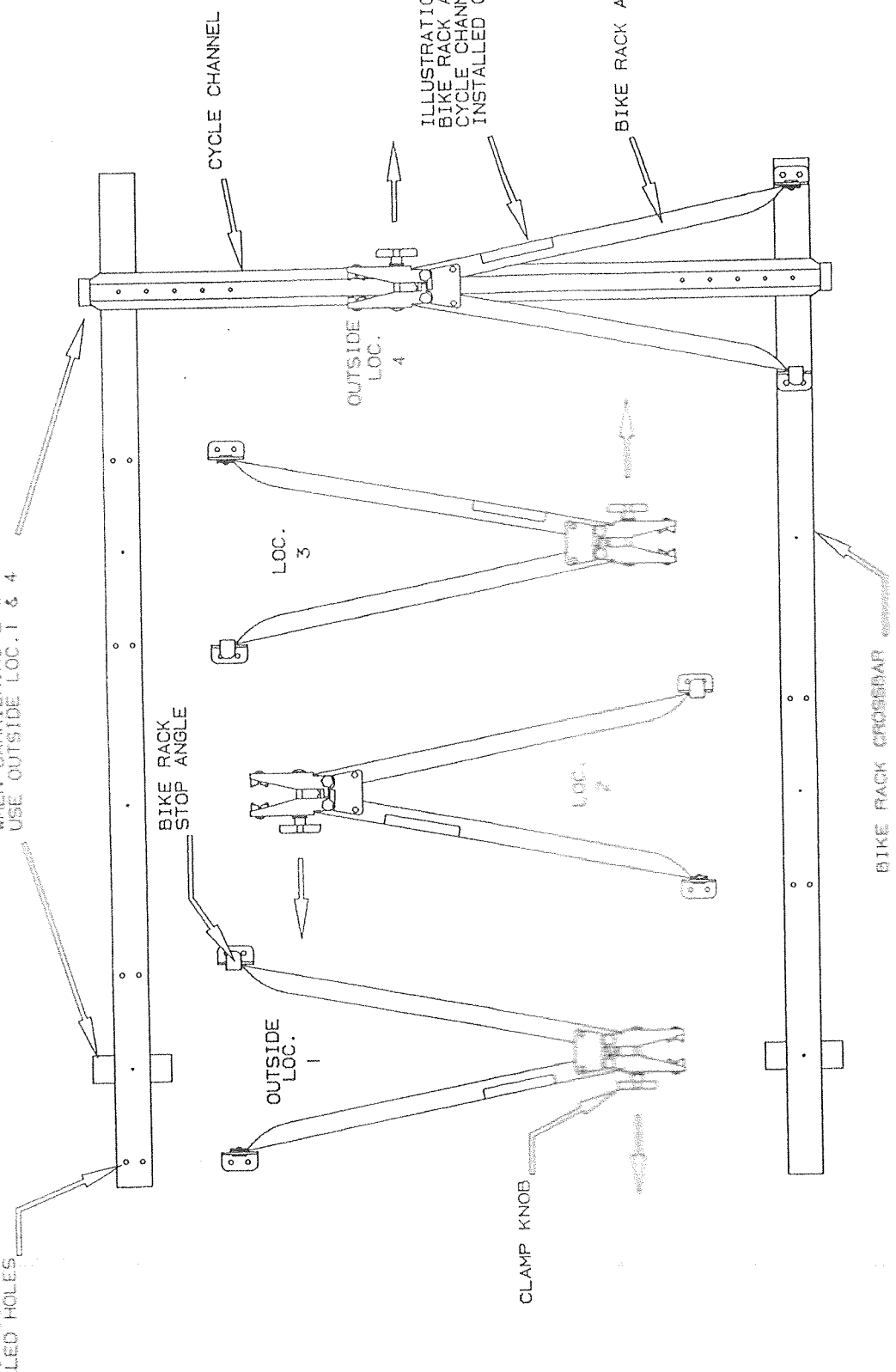
CLAMP KNOB

ILLUSTRATION SHOWS
BIKE RACK ASSY. AND
CYCLE CHANNEL
INSTALLED CORRECT.

BIKE RACK ASSY.

BIKE RACK CROSSBAR

FIGURE 1



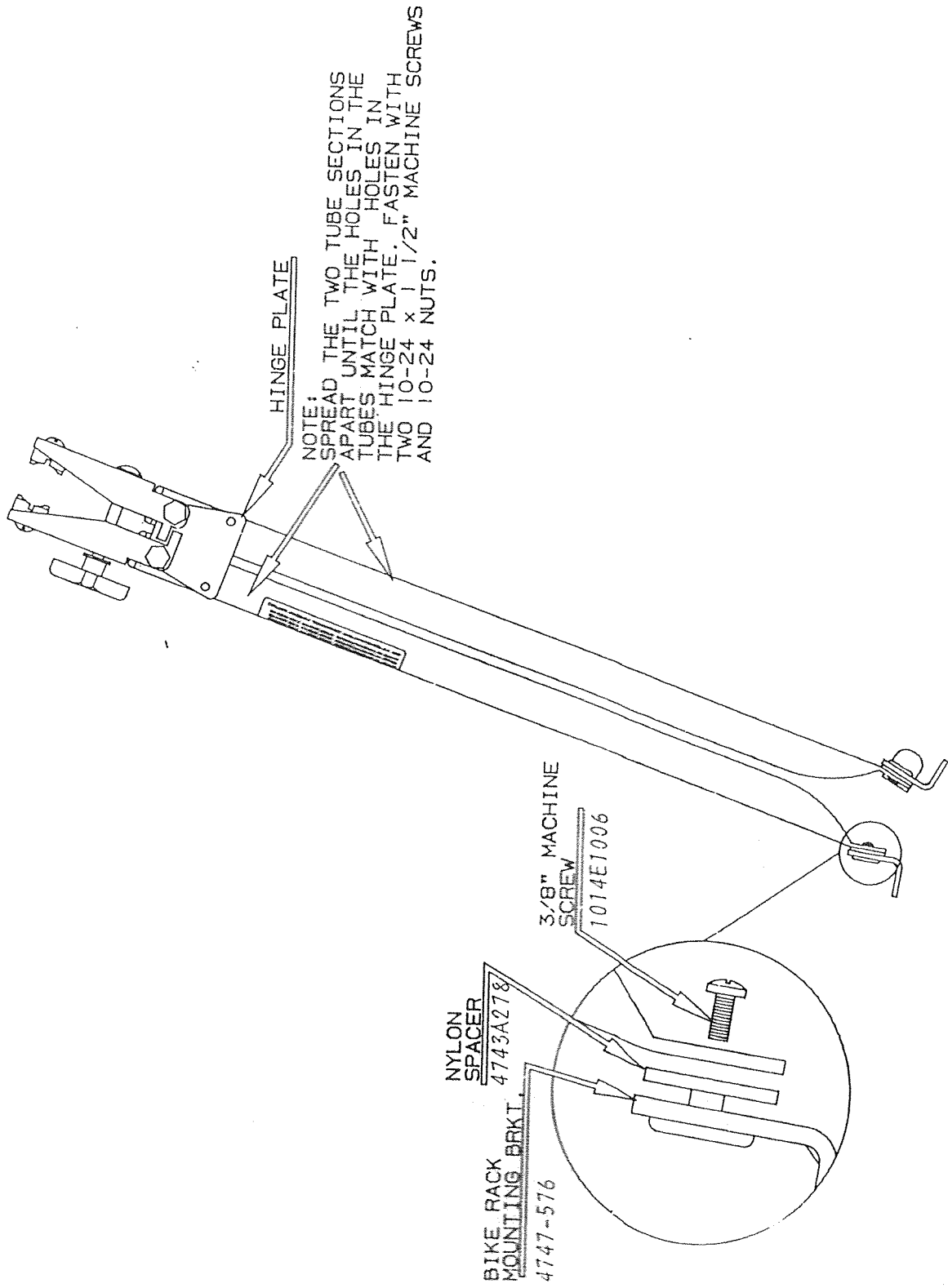


FIGURE 2

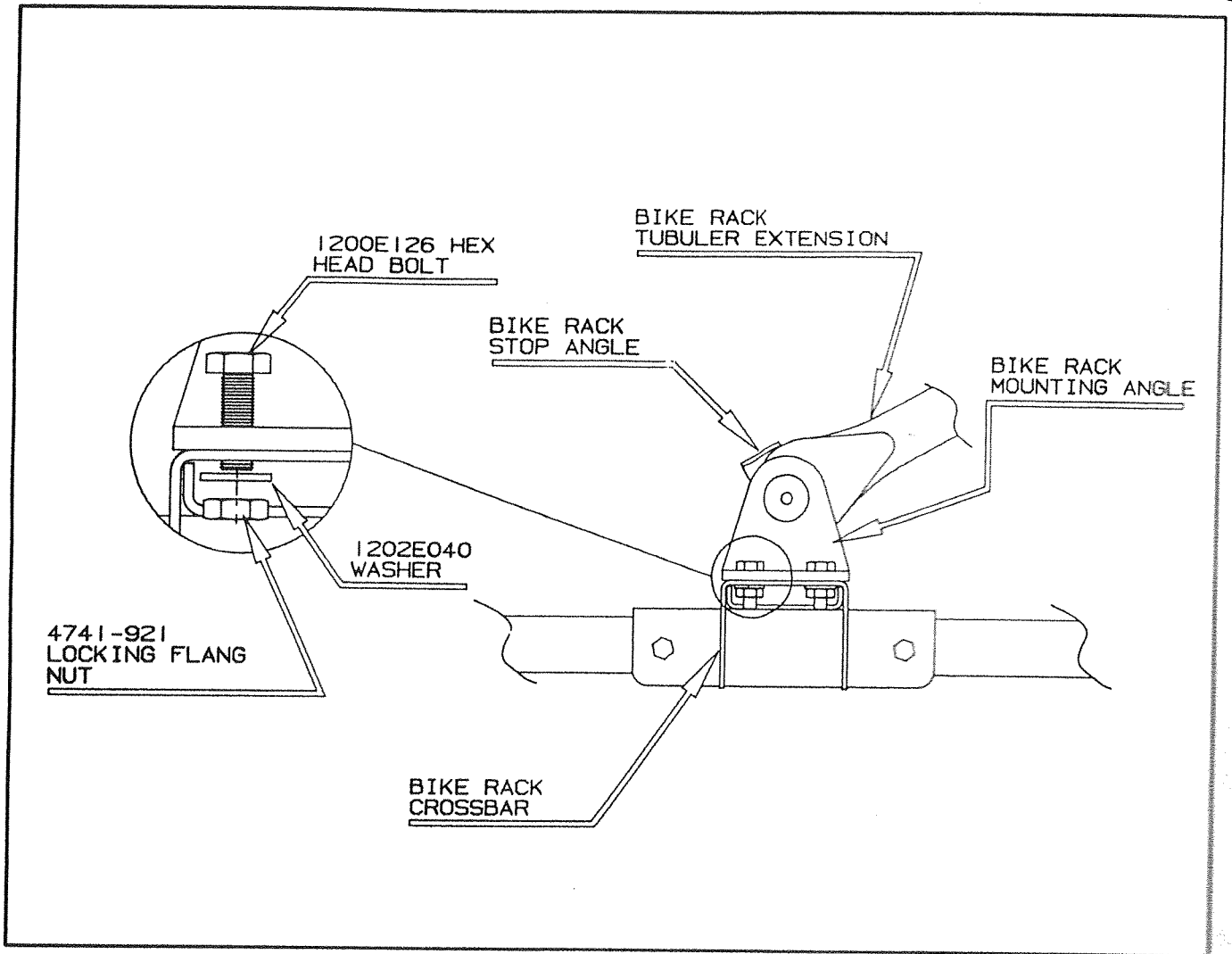


FIGURE 3