

1994 DESTINY
REEF AIR PARTS
series

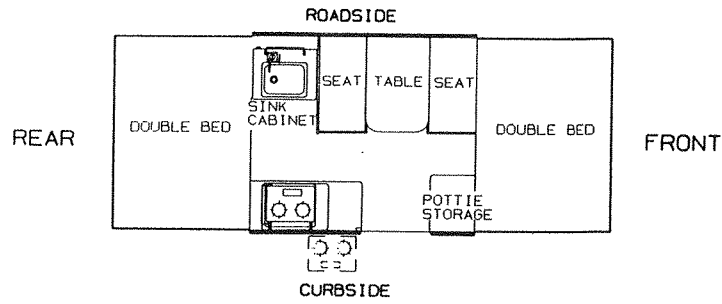
cedar
royale

cedar xl
roanoke

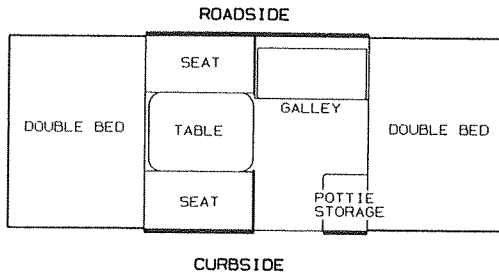
cedar mt
rio grande

BY FLEETWOOD®

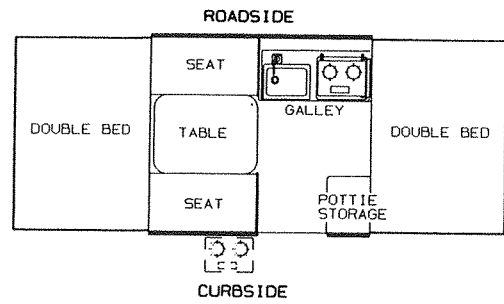
2870 ROANOKE



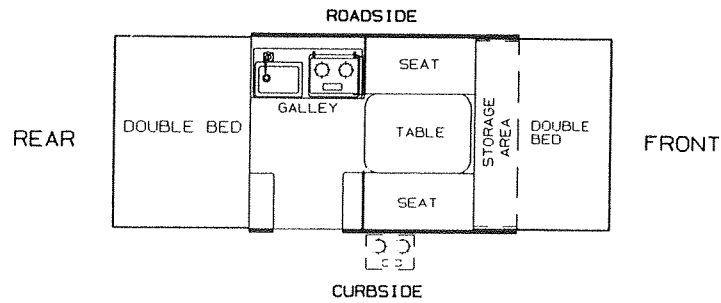
2874 CEDAR MT



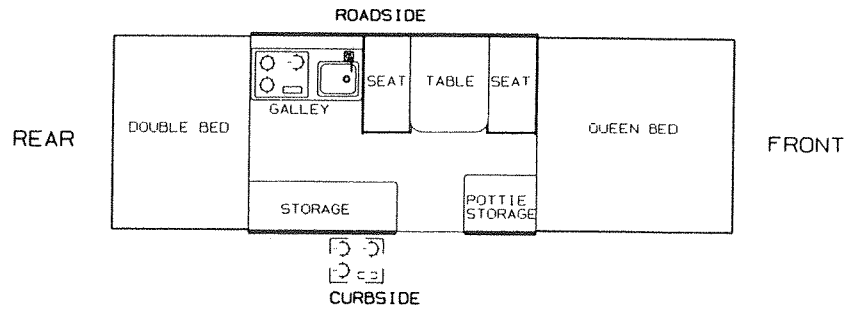
2875 CEDAR



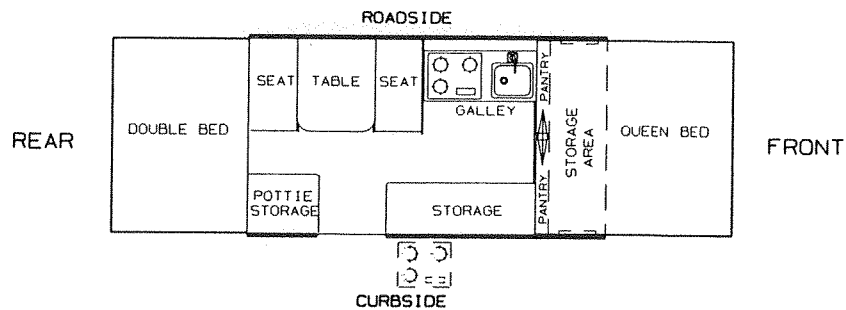
2876 CEDAR XL



2889 ROYALE



2896 RIO GRANDE



1994 DESTINY SERIES

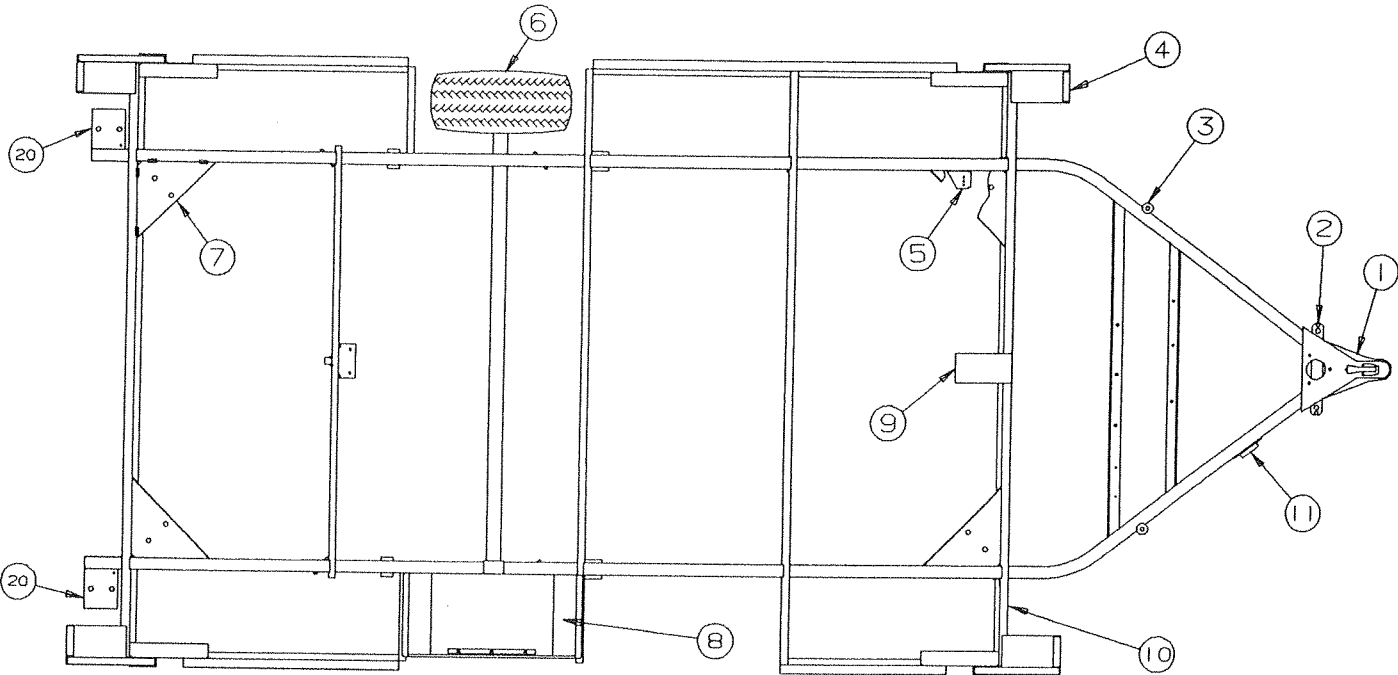
TABLE OF CONTENTS

DESCRIPTION	PAGE NUMBER
Access door key	40
Access door assembly & related parts	12
Auto extension	33
Axle assemblies & related parts	6
Axle beam	6
Backrest assemblies & covers	29
Bed slides	34, 35, 36
Bed support leg 2896 Rio Grande	37
Bed assembly (front bed) 2889, 2896	36
Bed assembly (front bed) 2870, 2875, 2876	35
Bed assembly (rear bed) 2870, 2874, 2875, 2876 2889, 2896	34
Bed support leg 2889 Royale	37
Body panel front & related parts	8
Body panel right front (curbside)	11
Body panel rear & related parts	9
Body panel front storage area 2876 Cedar XL, 2896 Rio Grande	14, 15
Body panel left side (roadside)	13
Body panel right rear (curbside)	10
Bumper & related parts	9
Caulking	33
Check valve & related parts	17
Converter & related parts	30
Cooler	1
Corner bulkhead assembly	2
Coupler	2
Crank handle	40
Crank up/crank down component parts	4
Cushion assemblies & covers	29
Cutting board 2870, 2875, 2876	18, 27
Cutting board 2889, 2896	20
Door bulkheads	8
Drain hose (used on sink assembly)	17
Drape packages	31
Electric brake package	7
Electric brakes & related parts	7
Evolution III assemblies & related parts	42
Fire Extinguisher	24, 25
Floor covering	39
Frame assembly & related parts	2
Gas bottle & related parts	41
Gas hose (gas bottle)	40
Gas bottle mounting bracket	40
Grease cap (dust cap)	6, 7
Hub assembly & related parts	6
Hutch assembly 2896 - Rio Grande	24
Hutch assembly 2870	26
Hutch assembly 2889 - Royale	25
Leaf springs & shackles	6
Lift trim & miter covers	11
Lift assemblies & related parts	3
Lower galley assembly 2889, 2896	22
Lower galley assembly 2875, 2874, 2876	23
Lower galley assembly 2870	16
Lug nuts	6, 7
Mattress assemblies & covers	37
Paint (spray & quart cans)	33
Paneling & trim	39
Parts packages & components	40
Pigtail (car end)	2, 40
Power cord	30
Quick disconnect (gas)	24, 25
Receptacles (ground fault)	30
Regulator & fitting	40
Safety chains	40
Screen door & jamb assemblies	32, 33
Seat component parts	29
Sink & related parts	17
Sliding pantry 2896 Rio Grande	38
Spare tire carrier 2876, 2896	28
Spare tire mount package	40
Stabilizer handle	40
Stabilizer assembly	2
Storage area compartment 2876, 2896	14, 15
Storage cabinet	28
Stove (lift out stove 2870, 2875, 2876)	19
Stove box assembly 2870 - Roanoke	27
Stove (lift out stove 2889, 2896)	21
Sunbrella tenting assy & related parts	43
T-molding	18, 30
Table assemblies & related parts	30
Taillights (rear body panel)	9
Tent support assemblies & related parts	31
Thrust nut	4
Tie backs (curtains)	31
Tire & rim	2
Tongue jack & related parts	3
Top latch	10, 11, 13
Top assemblies & related parts	44, 45
Trim tape	10, 11, 12, 13
Trim tape repair kit	10, 11, 12, 13
Upper galley assembly 2870	16
Upper galley assembly 2875, 2874, 2876	18
Upper galley assembly 2889, 2896	20
Valance packages	31
Water pump & related parts	17
Water tank portable	41
Wheel well	2, 39
Whiffletree & related parts	5
Wire harness (trailer front)	2
Zipper (Evolution/Sunbrella tent assy)	42, 43

4748A9981 Cooler 40 qt. 2870, 2875, 2876

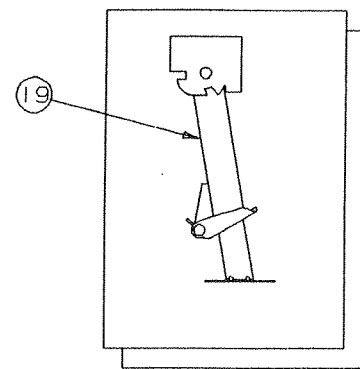
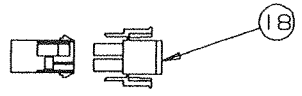
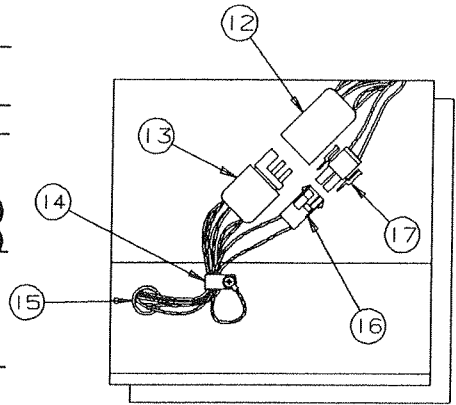
4748A99981 Cooler 48 qt. 2889, 2896

1994 DESTINY SERIES

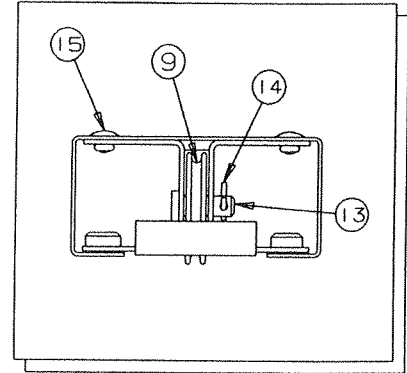
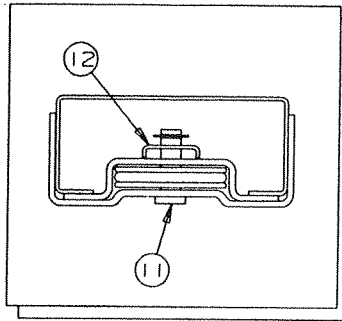
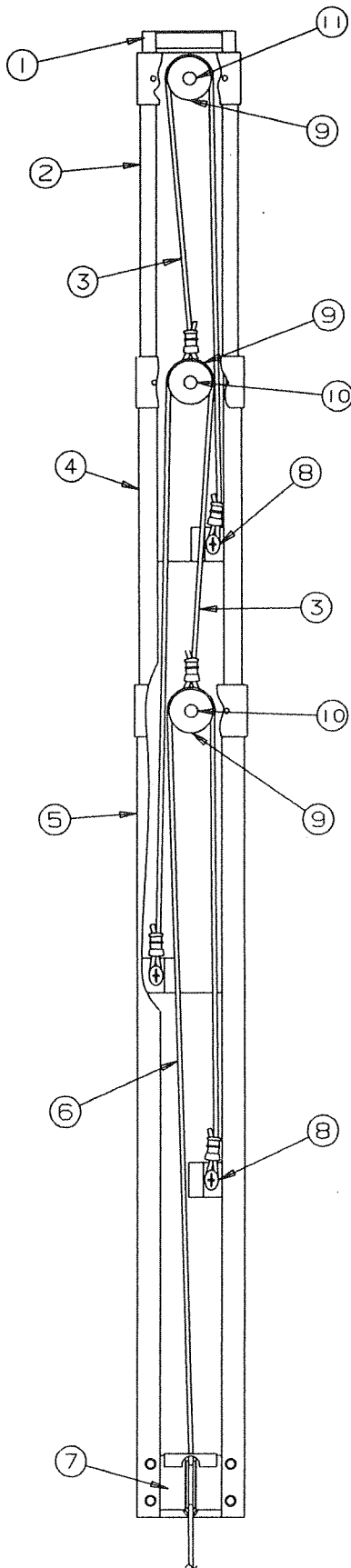


MAIN FRAME ASSEMBLY COMPONENT PARTS

CODE	PART NO.	DESCRIPTION
1	4742-2001	2" Coupler assembly (all)
	4714A2211	2" Coupler repair kit
2	4720A3561	Chain bar 2870, 2874, 2875
	4748-6611	Chain bar w/pins 2876, 2889, 2896
3	4747-8941	Pin cover "plastic", M2
4	4747-5501	Corner bulkhead - curbside front/roadside rear
	4747-5511	Corner bulkhead - curbside rear/roadside front
	4751A513	Bulkhead assembly - roadside front, (2876, 2889)
5	4751A514	Bulkhead assembly - curbside front, (2876, 2889)
	4732C3678	Adjustable pulley bracket x4
	4720C1578	Short pin
	4715A5371	Pulley & bearing, M10
6	1204B1081	Cotter pin, M10
	4741C3988	Tire & rim 8" Load Range "B" (2870, 2874, 2875)
	4747B4838	Tire & rim 12" Load Range "B" (2876, 2889)
	4749B8648	Tire & rim 10" Load Range "C" (2896)
7	4741-3268	2" Valve extension
	4749-586	Corner gusset x4 per trailer
8	4747A4161	Wheel well assembly x2 (all except 2896)
	4741A3311	Wheel well assembly x2 (2896 Rio Grande only)
9	4747-5101	Spare tire mount support 2870, 2874, 2875, 2889
10	4748A184	Plastic stone guard
11	4720A3331	Jack bracket
12	4735D6691	Pigtail - 4 prong, 2870, 2874, 2875 (car end)
	4735E6741	Pigtail - 6 prong, 2889, 2896, 2876 (car end)
13	4747A5611	Wire harness, 2870, 2874, 2875 (trailer front)
	4735E6751	Wire harness, 2889, 2896, 2876 (trailer front)
	4714A1991	Wire harness repair kit - 6 prong, M4
14	1201-8738	Clamp
15	4742-8108	Snap bushing
16	4735A6871	Power harness (trailer front)
17	4749A5531	Wire harness (connects to battery)
18	4716-4701	12 Volt cap & plug package
19	4720D0731	Stabilizer assembly
	4751-4761	Stabilizer w/pin x2 2876 Cedar XL only
	4739-2298	Nut (2 per stabilizer)
20	4751A649	Stabilizer bracket



REPAIR PARTS



LIFT ASSEMBLIES - (All Destiny Series)

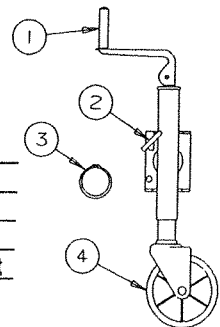
- 4716A0011 - Lift assembly, Roadside Rear/Curbside Front
- 4716A0021 - Lift assembly, Roadside Front/Curbside Rear

LIFT ASSEMBLY COMPONENT PARTS

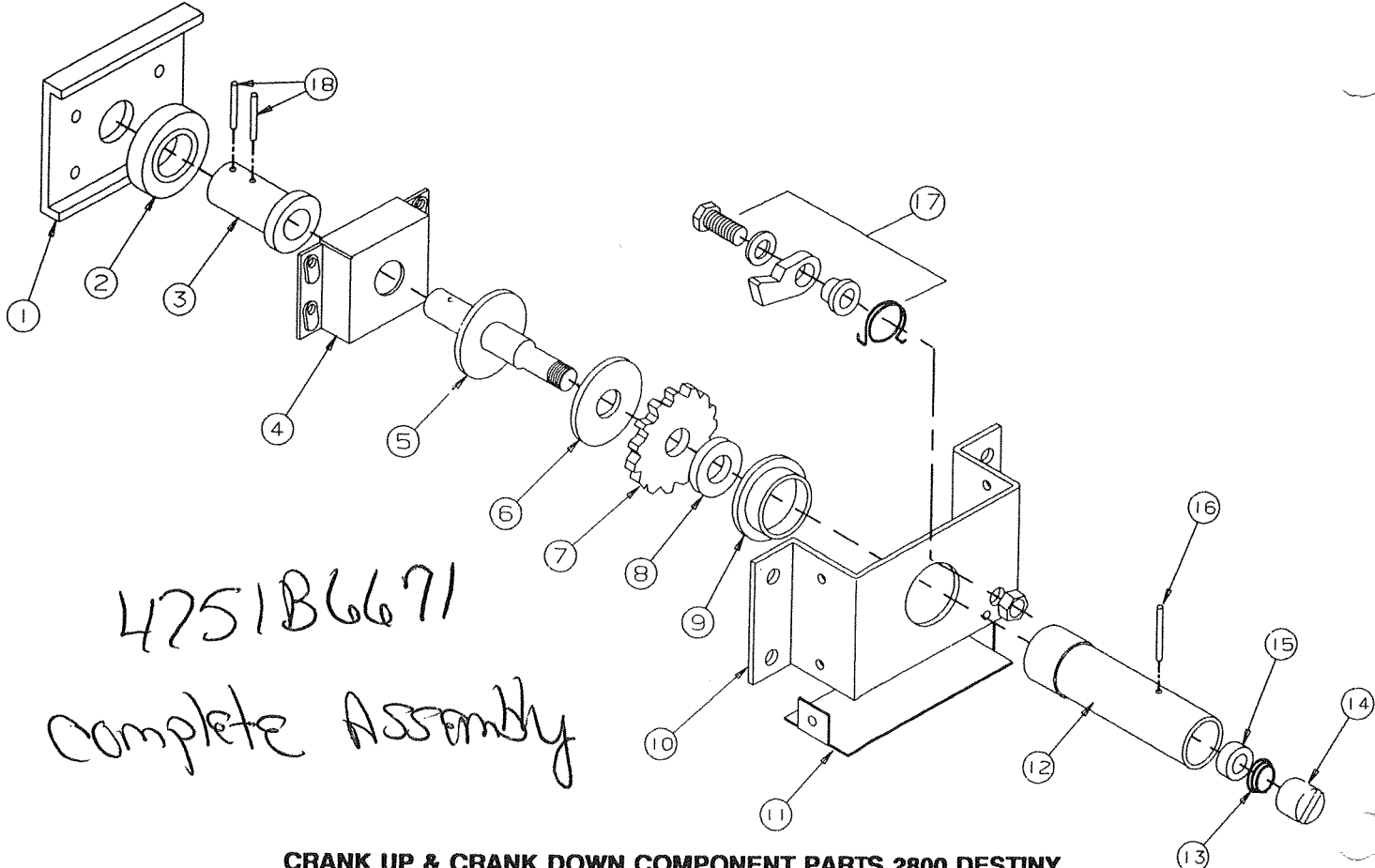
CODE	PART NO.	DESCRIPTION
1	4720E5181	Top lift assy (4716A0021)
	4739B6741	Top lift assy (4716A0011)
2	4720E5171	Center lift assy (4716A0021)
	4739B6731	Center lift assy (4716A0011)
3	4720C5271	Cable assy x2, M2 (both)
	4720C1691	Steel cable crimp, M20
4	4720F5161	Bottom lift assy (4716A0021)
	4739B6751	Bottom lift assy (4716A0011)
5	4720H5151	Stationary lift assy (both)
6	4751-6391	Stainless steel cable assy x1, M2 (223 inches long) (includes 2 copper cable crimps in pkg)
	4744-1318	Copper cable crimp, M10
7	4731C5801	Butterfly bracket assy
8	4749-2081	Screw x3, M6
9	4715A5371	Steel pulley & bearing x4, M10
10	4747-8931	Long pin, x2
	4730B0981	Retaining ring, M12
11	4749-4061	Pin short x1, M4
	4730B0981	Retaining ring, M12
12	4749A2028	Retaining clip
13	4720C1578	Lift pin x1
14	1204B1081	Cotter pin, M10
15	1203-8641	Rivet x4, M50

Tongue Jack Assembly, 4720B6661

CODE	PART NO.	DESCRIPTION
1	4714-2821	Jack handle kit, M2
2	4714-2818	Locking plunger kit
3	4720A3341	Snap ring
4	4716-6661	Jack wheel, nut & bolt



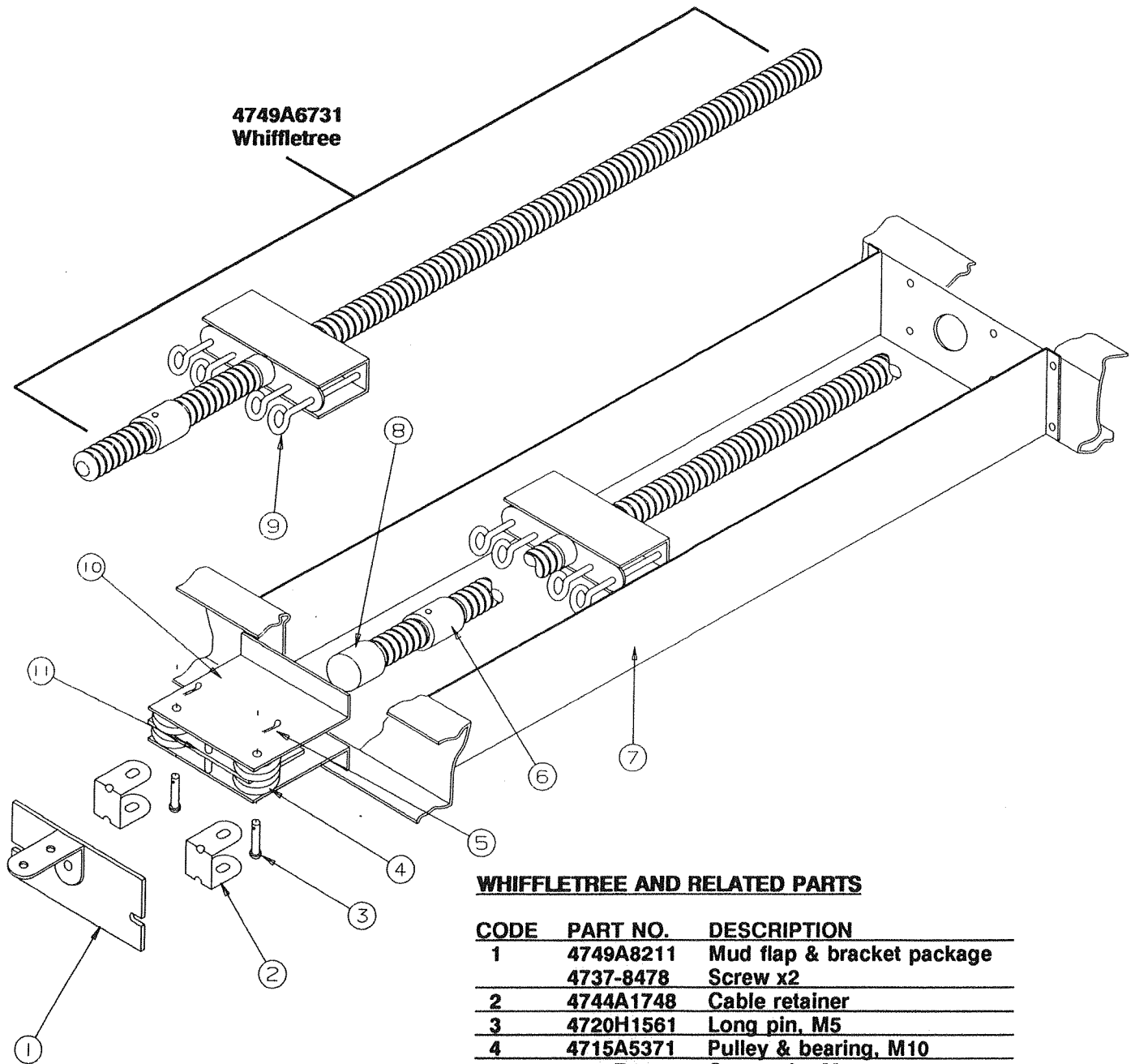
1994 DESTINY SERIES



CRANK UP & CRANK DOWN COMPONENT PARTS 2800 DESTINY

CODE	PART NO.	DESCRIPTION
1	4750A9261	Plate - painted
2	4720A2421	Thrust nut bearing
3	4751-3671	Thrust nut
4	4750A9251	Bearing housing
	4738A0898	Hex bolt x4
5	4751-3701	Drive shaft
6	4751-3561	Pressure plate
7	4751-4831	Ratchet wheel
8	4751-3581	Pressure washer
9	4751-3591	Shaft bushing
10	4751A3691	Crank compartment housing
	4731-3878	Hex head bolt x4
	1201B6038	Lock nut x4
11	4751-3721	Housing cover plate x2
	4733G0601	Rivet "black" M25 x4 per cover
12	4751-5681	Drive hub extension assembly
13	4751-3531	Handle spring
14	4751-3551	Slotted nut
15	4751-4671	Nylon spacer
16	4747A9451	Spiral roll pin, M6
17	4716-1221	Ratchet pawl package
18	4744A1301	Shear pin, M10

REPAIR PARTS



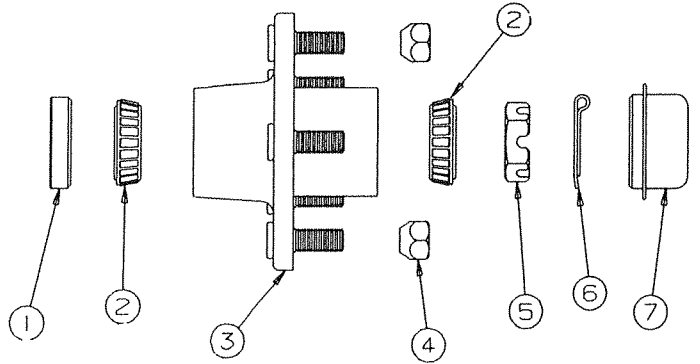
WHIFFLETREE AND RELATED PARTS

CODE	PART NO.	DESCRIPTION
1	4749A8211	Mud flap & bracket package
	4737-8478	Screw x2
2	4744A1748	Cable retainer
3	4720H1561	Long pin, M5
4	4715A5371	Pulley & bearing, M10
5	1204B1081	Cotter pin, M10
6	4710A4248	Bushing
	4749-409	Roll pin
7	4720E2371	Guide channel
	4738A0898	Hex bolt x4 per front
	1201B6038	Hex nut x4 per front
8	4730D1291	Screw socket x1
9	4744-44561	Screw eye x4, M4
	1201B6078	Locknut 5/16" x8
10	4720-1551	Pulley plate
11	4715C5661	Pulley spacer

1994 DESTINY SERIES

HUB ASSEMBLY & RELATED PARTS

CODE	PART NO.	DESCRIPTION
1	4714A2201	Grease seal x1, M4
2	4716-1101	Bearing & race pkg
3	4738D0451	Hub w/race & lug nuts
4	4747A9528	Lug nut x5
5	4714-3068	Slotted spindle nut, x1
6	1204-1268	Cotter pin x1
7	4714A0621	Grease cap x1, M4

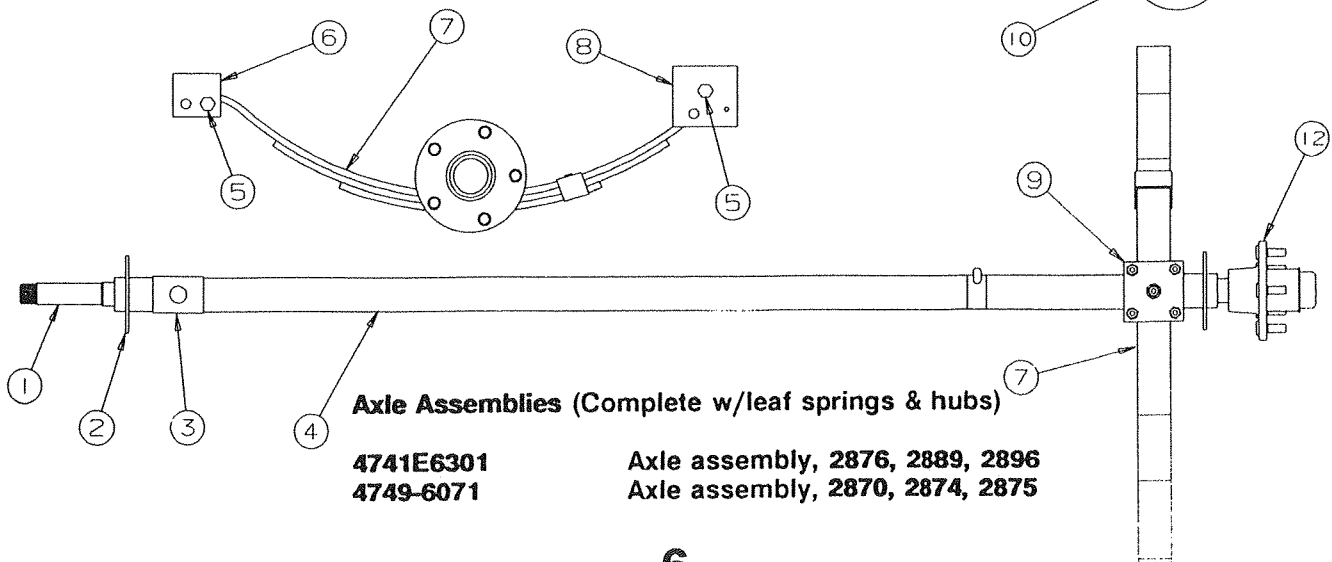


Crossover numbers to purchase locally

CODE	PART NO.	DESCRIPTION
A	13194TB	Grease seal
B	L44649	Bearing
C	L44610	Race

AXLE & SPRING COMPONENTS

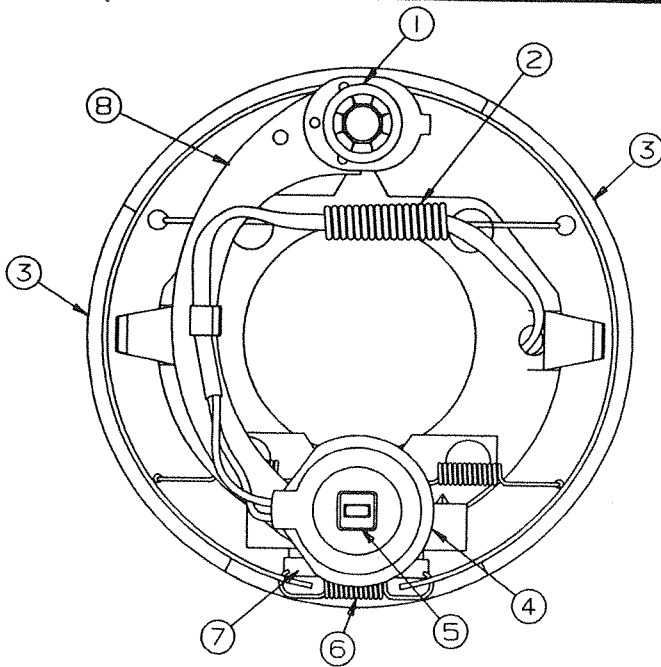
CODE	PART NO.	DESCRIPTION
1	4741B8491	Spindle
2	4741A847	Brake mounting plate
3	4741-8461	Spring pad channel, M2
4	4741D6251	Axle beam
5	4737A1318	Shackle bolt
	4741-9498	Shackle bolt nut
6	4741A3398	Spring shackle (rear)
7	4741B3381	Leaf spring, 2 leaf 750#, 2870, 2874, 2875
	4735C2201	Leaf spring, 3 leaf 1000#, 2876, 2889, 2896
8	4741B3398	Spring shackle (front)
9	4741-8458	U-bolt plate
10	4741A8438	U-bolt
11	4741-9358	U-bolt nut
12	4738D0451	Hub w/race & lug nuts



4741E6301
4749-6071

Axle assembly, 2876, 2889, 2896
Axle assembly, 2870, 2874, 2875

REPAIR PARTS



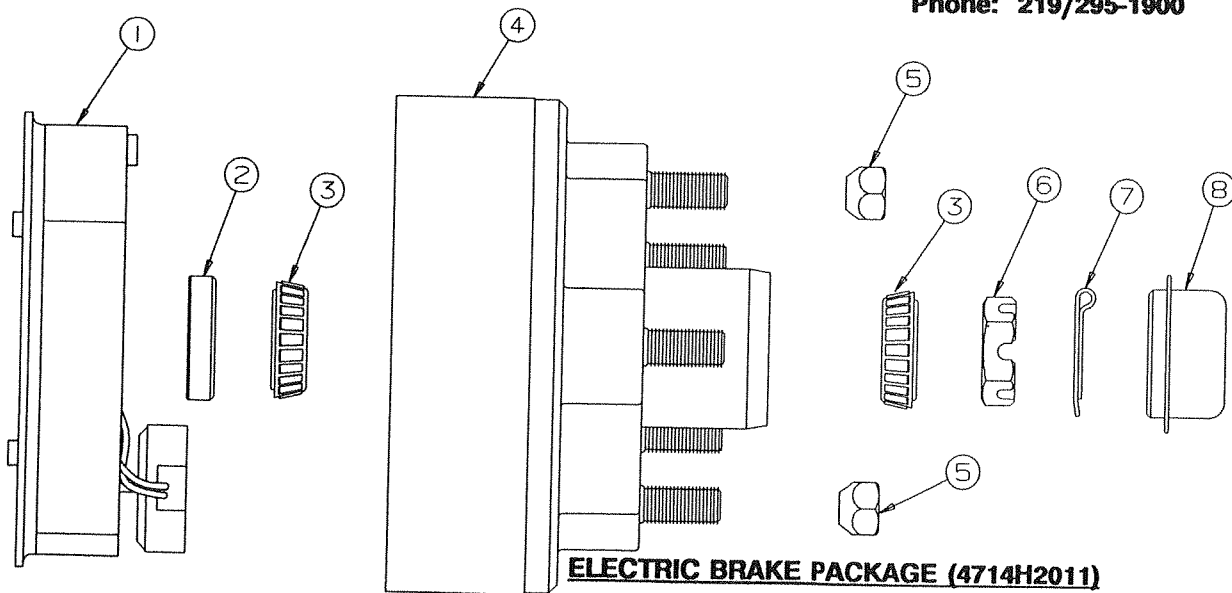
ELECTRIC BRAKE COMPONENTS

CODE	PART NO.	DESCRIPTION
1	4714A2461	Anchor post clip x2, M2
2	4714A2411	Retractor spring
3	4714B2071	Brake shoes (primary & secondary)
4	4714D2451	Magnet package (white wire) (includes: 1 magnet, 1 spring and 1 retainer clip)
5	4714B2471	Retainer clip, M2
6	4714A2101	Adjusting screw spring
7	4714A2041	Adjusting screw
8	4714A2841	Actuating lever arm package (includes: right hand and left hand arms)
9	4714B2421	Magnet housing spring (not shown)

For Technical Assistance on Dexter axles and brakes please write or phone:

Phillips Industries Inc.
Dexter Axle Division
222 Collins Road
Elkhart, Indiana 46516

Phone: 219/295-1900

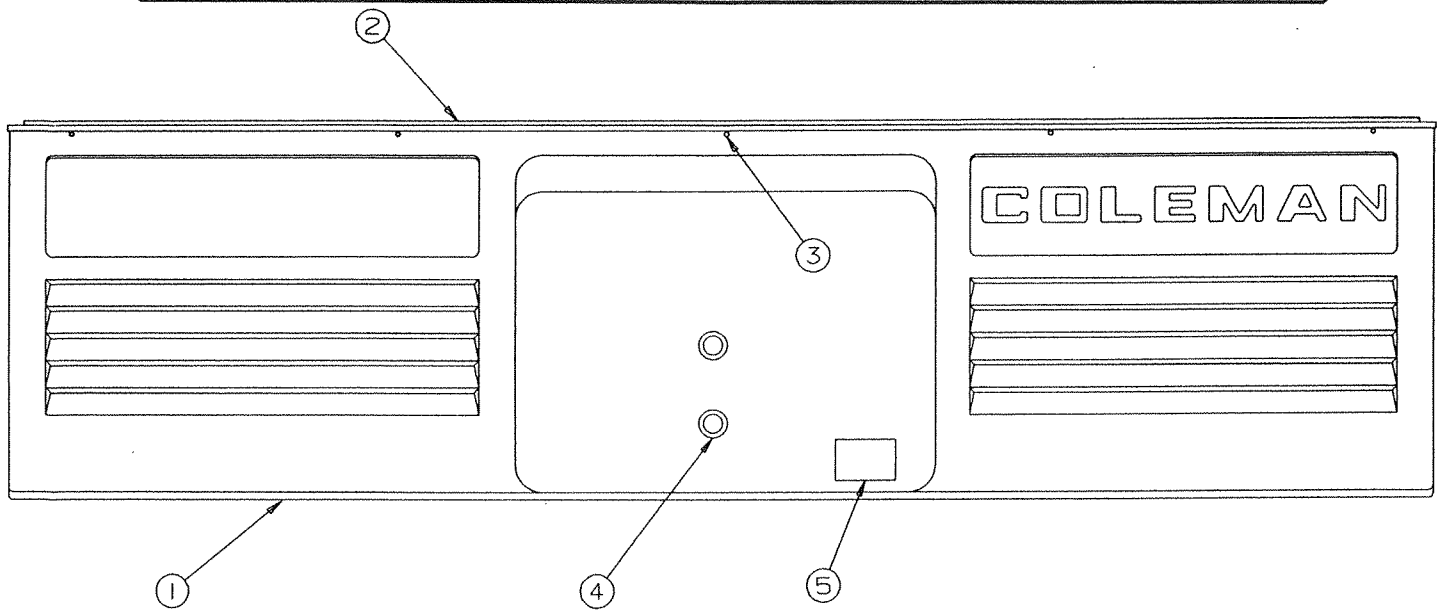


ELECTRIC BRAKE PACKAGE (4714H2011)

CODE	PART NO.	DESCRIPTION
1	4733A3521	Brake assembly (right hand)
	4733A3531	Brake assembly (left hand)
2	4714A2201	Grease seal x2, M4 (Fleetwood axle only)
3	4716-1101	Bearing & race package x4
4	4716A1071	Hub & drum assembly x2
5	4747A9528	Lug nut x10 (per brake pkg)
6	4714-3068	Spindle nut (slotted) x2
7	1204-1268	Cotter pin x2
8	4714A0621	Grease cap x2, M4

NOTE: Refer to opposite page for crossover numbers for bearing, race and grease seal.

1994 DESTINY SERIES



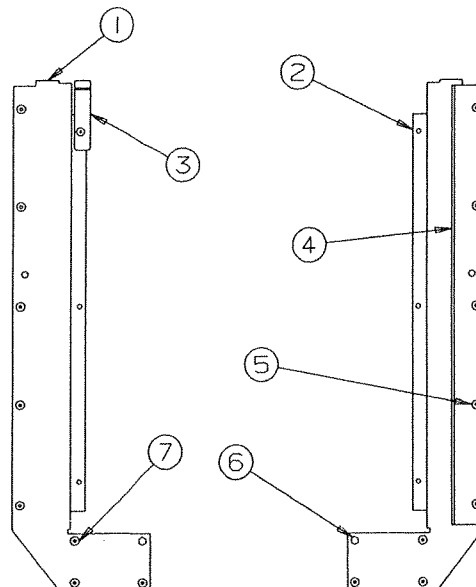
FRONT BODY PANEL ASSEMBLY COMPONENTS (ARCTIC WHITE)

Note: All panels are shipped less hardware & decals

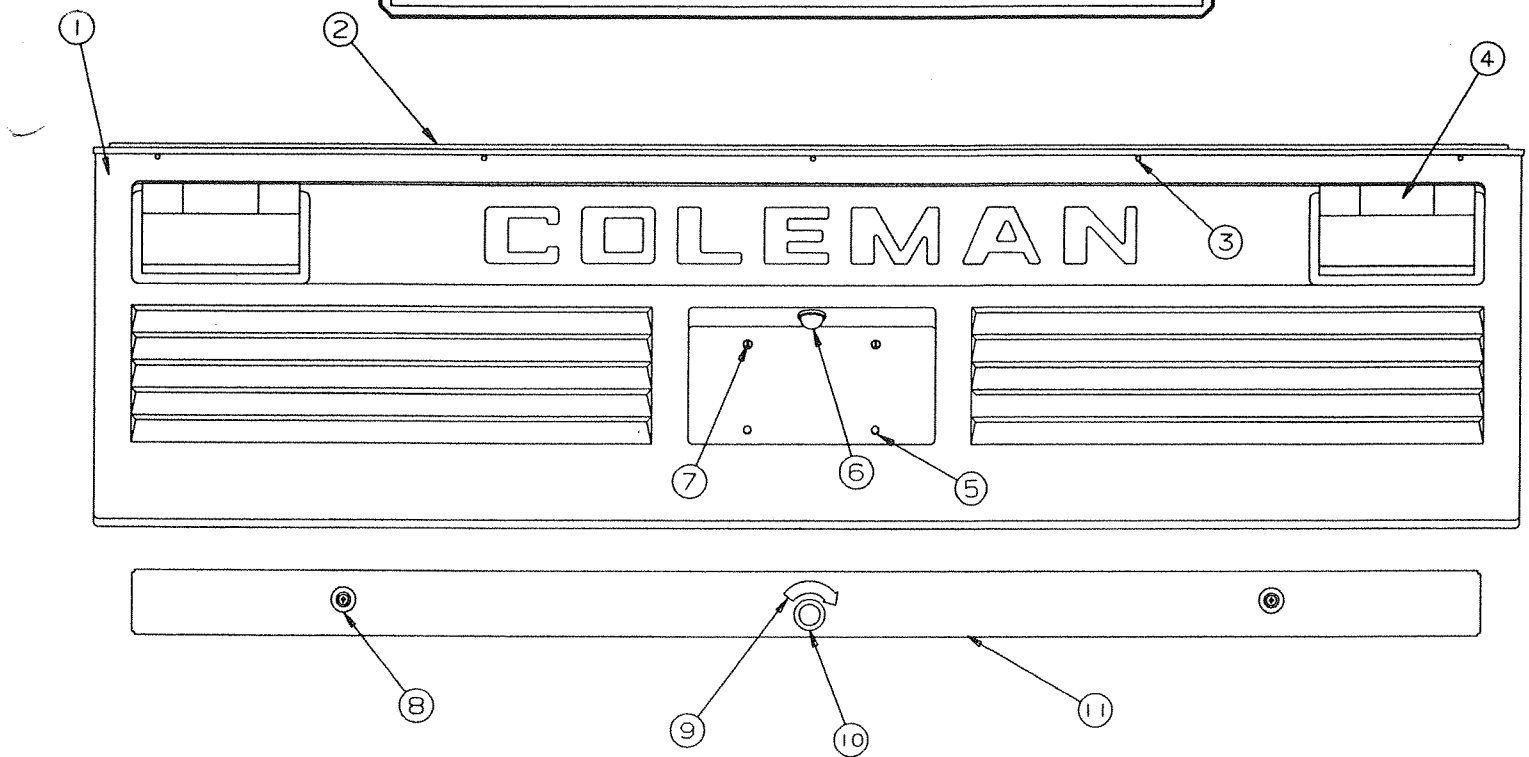
CODE	PART NO.	DESCRIPTION
1	4747C4531	Front body panel (all except 2876, 2896) NOTE: Refer to Page 15 for 2876, 2896 front storage area
2	4747A080	Front end rail, 2870, 2874, 2875
	4747A0808	Front end rail, 2889
	4751C0178	Front rail, 2876
	4751C017	Front rail, 2896
	1203-8651	Rivet x1, M50
3	4741B9658	Expansion rivet x4
4	4744B8598	Hole plug x2
5	4730J2138	Gas piping decal
6	4716-063	Screw x5 (not shown) (screw panel to bottom of floor)

DOOR BULKHEAD ASSEMBLIES

CODE	PART NO.	DESCRIPTION
1	4747A010	Door bulkhead (rear) (all)
2	4747A009	Door bulkhead (front) (all)
3	4748A411	Bed ramp (2874, 2875)
	4751-970	Bed ramp (2876XL)
	4737-8488	Screw
4	4749A388	Bulkhead angle
5	4733D0601	Rivet, M25 (arctic white)
6	4744A050	Hex head tek screw
7	1203-8978	Countersunk rivet
8	4749-4568	T-Rivet "brass finish"



REPAIR PARTS

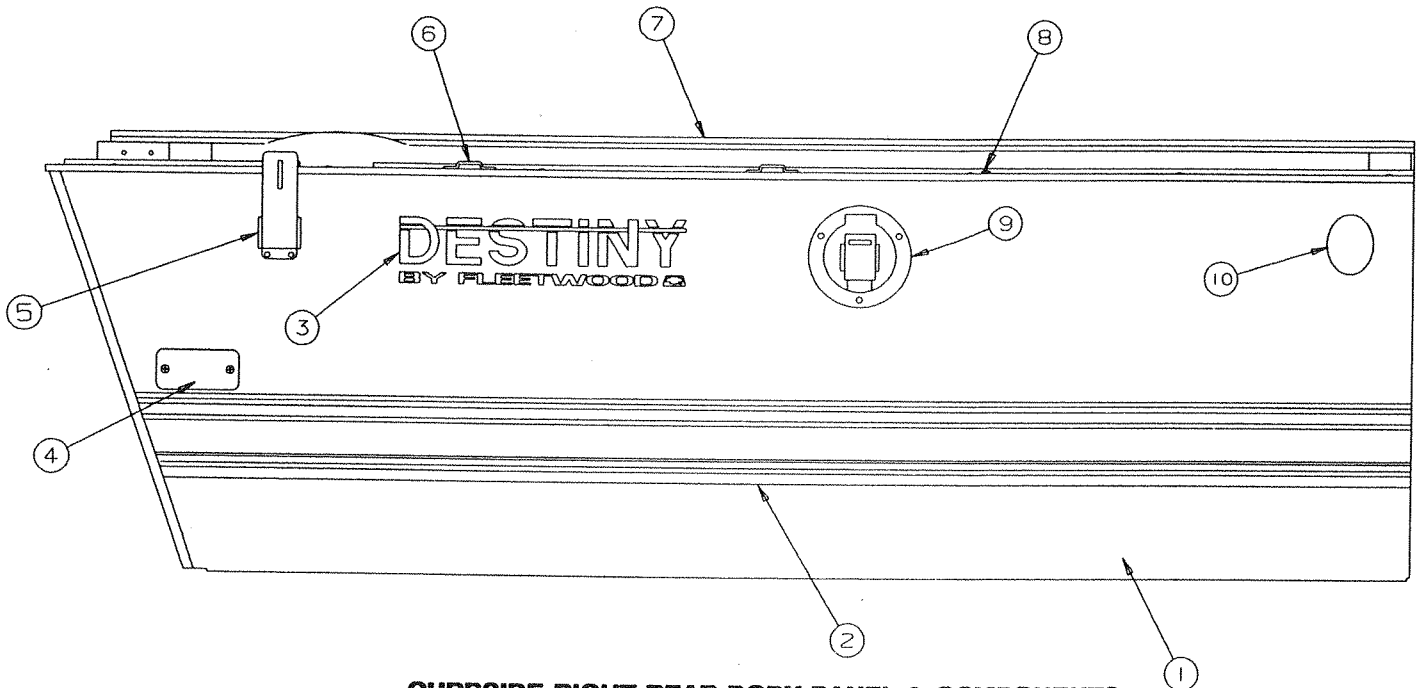


REAR BODY PANEL ASSEMBLY COMPONENTS (ARCTIC WHITE)

Note: All panels are shipped less hardware & decals

CODE	PART NO.	DESCRIPTION
1	4747C4641	Rear body panel, (all)
2	4747A079	Rear end rail (all)
3	4741B9658	Expansion rivet x5
4	4743B1321	Taillight x2
	4716-1061	Taillight lens
	4747-2558	Expansion rivet x4
5	4737A0728	Rubber bumper x2
6	4739B4311	License plate light
7	4732-1181	Plastic grommet, x2, M4
	1121C1618	Screw x2 (hold license plate on)
8	1032B2428	Bolt x2
	1202B0468	Washer x6
	1202B1068	Washer x2
	1201B6068	Nut x2
9	4730H3188	Open decal
10	4734-4351	Snap bushing, M2
11	4751A0181	Bumper (all)

1994 DESTINY SERIES



CURBSIDE RIGHT REAR BODY PANEL & COMPONENTS

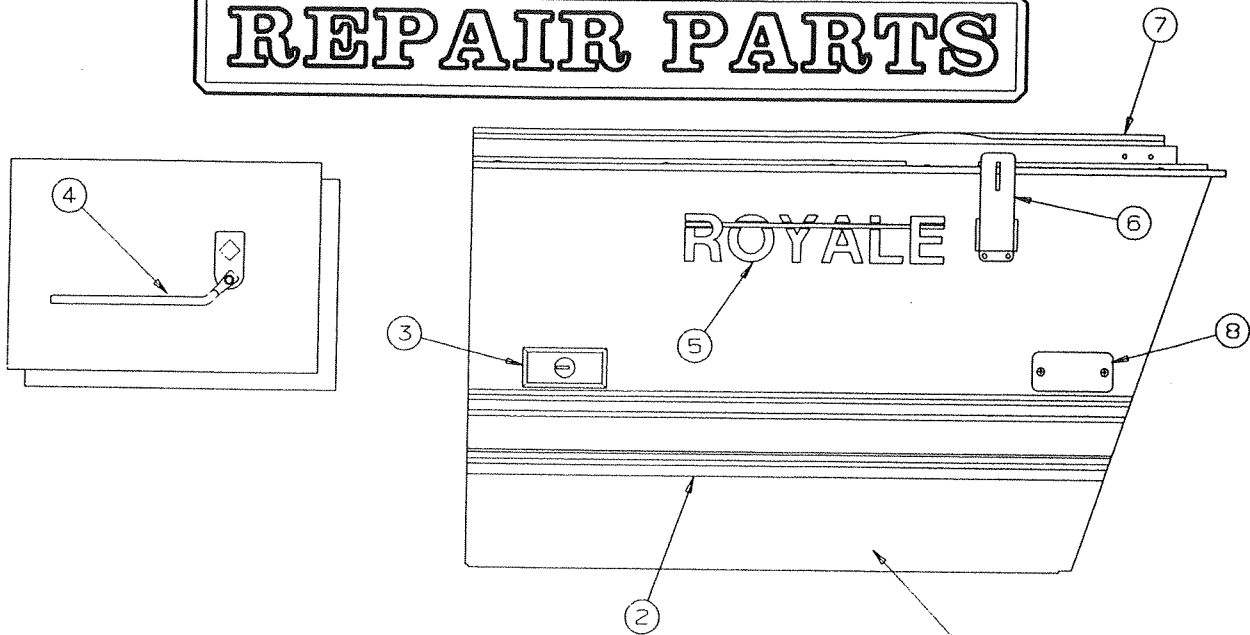
Note: All panels are shipped less trim tape & decals

2800 Destiny Series Body Panel Repair Kit

4716A8251 - Curbside or Roadside Hardware & Trim Tape Kit

CODE	PART NO.	DESCRIPTION
1	4749A9751	Body panel 2870, 2875
	4749A97571	Body panel 2874
	4751-4331	Body panel 2876
	4747B9691	Body panel 2889
	4751-0511	Body panel 2896
NOTE: Refer to opposite page for door lock handle & components for 2876 2896 models		
2	4350001433F	Trim tape (5' required)
3	4746B9338	Destiny/Fleetwood decal
4	4714G08581	Red lens & base
	4745-3968	Screw, arctic white
	4733G1311	Socket & harness
	4714-3701	Bulb (#194) M4
5	4741C6041	Top latch (without lock)
	4749-4848	Foam pad
	4741-8218	Hex head tek screw x4
6	4733A4511	Steel loop x2
	1203-8978	Countersunk rivet x2
7	4749A976	Body rail 2870, 2874, 2875
	4751-434	Body rail, 2876
	4747B972	Body rail 2889
	4751-016	Body rail 2896
	4723B8071	Velcro hook 2" x 2" (adhesive backed)
8	0322A3308	Brass spacer
	1203-8678	Rivet x2
9	4733B23361	Cable hatch
	4741-3508	Hex head screw x3
10	4733-2818	RVIA tag

REPAIR PARTS



CURBSIDE RIGHT FRONT BODY PANELS & COMPONENTS

Note: All panels are shipped less trim tape & decals

2800 Destiny Series Body Panel Repair Kit

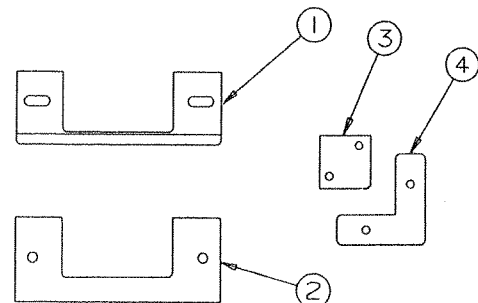
4716A8251 - Curbside or Roadside Hardware & Trim Tape Kit

CODE	PART NO.	DESCRIPTION
1	4747B0441	Body panel 2870, 2874, 2875
	4751A4621	Body panel 2876
	4747B9681	Body panel 2889
	4751-0521	Body panel 2896
2	4350001433F	Trim tape - 5' required
3	4730B3111	Lock handle (all) "less keys"
	4730A3211	Key, M10
4	4747-3501	Latch strike & lever (all except 2876)
	4751-4351	Latch strike & lever 2876
5	4747D4108	Roanoke name decal 2870
	4749C31978	Cedar MT name decal 2874
	4749C3198	Cedar name decal 2875
	4751-4648	Cedar XL name decal 2876
	4749C4438	Royale name decal 2889
6	4751A0658	Rio Grande name decal 2896
	4715F5051	Top latch (with lock)
	4749-4848	Foam pad
	4741-8218	Hex head tek screw x4
7	4747A056	Body rail 2870, 2874, 2875
	4751-463	Body rail 2876
	4747-971	Body rail 2889
	4751A015	Body rail 2896
	4723B8071	Velcro hook 2"x2" (adhesive backed)
	1203-8641	Rivet, M50
8	4714G08481	Amber lens & base

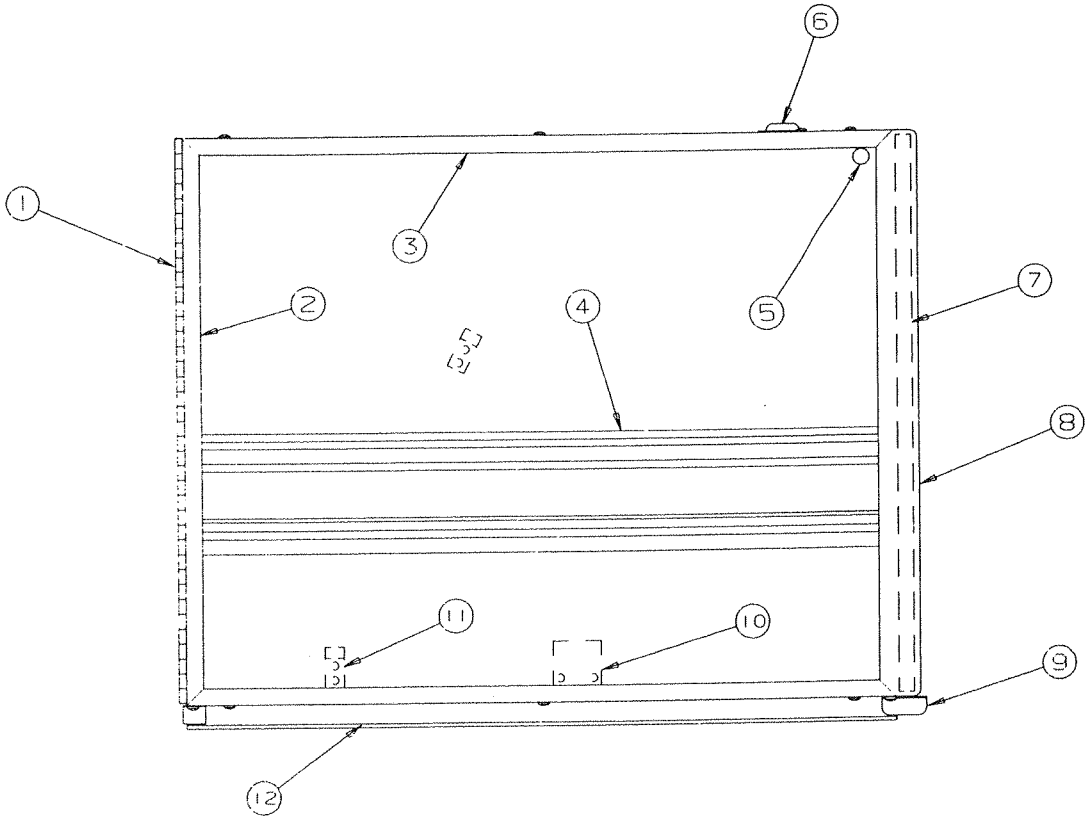
NOTE: Refer to opposite page for component parts CODE 4

LIFT TRIM & MITER COVERS - (ALL)

CODE	PART NO.	DESCRIPTION
1	4734B4121	Lift trim x4
	1203-8831	Rivet, M25
2	4744A9581	Foam gasket
3	4747-0531	Miter lock, M4
	1203-8651	Rivet, M50
4	4716C9101	Outer miter cover, M4
	1203-8651	Rivet, M50



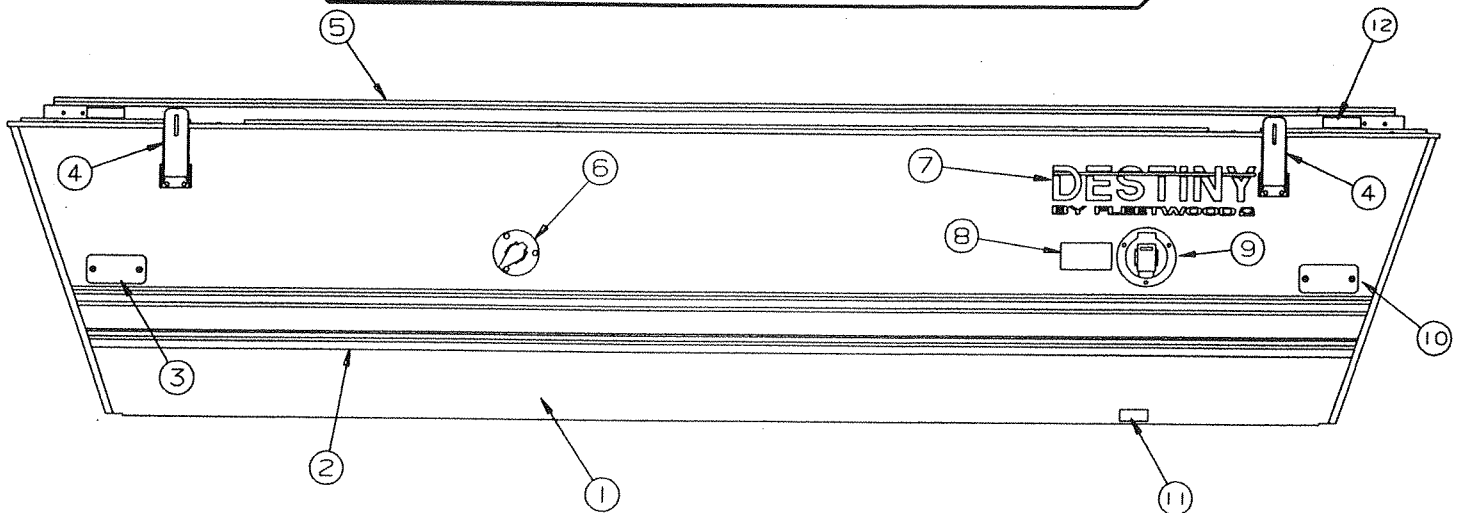
1994 DESTINY SERIES



4749A6471 - ACCESS DOOR (COMPLETE) *2870, 2874, 2875, 2889*
4751-5151 - ACCESS DOOR (COMPLETE) *2876, 2896*

CODE	PART NO.	DESCRIPTION
1	4747A3621	Door hinge (all)
2	4747A359	Door frame (2870, 2874, 2875, 2889)
	4747B359	Door frame (2876, 2896 only)
3	4747C357	Door cap (2870, 2874, 2875, 2889)
	4751-085	Door cap (2876, 2896)
4	4350001433F	Trim tape (2' required)
5	4737-3211	Rubber button, M8
6	4747B3681	Door latch package (rivet & washer included)
7	4350000022F	Foam tape (sold/foot)
8	4747A3601	Door frame (2870, 2874, 2875, 2889)
	4751-0601	Door frame (2876, 2896)
9	4749B12781	Side bracket (all)
10	4749A994	Door bracket
	4745-3968	Screw x2
11	4720A0721	Cooler clip, M2
	4745-3968	Screw x2
12	4749A495	Bracket
13	4747B361	Door frame bottom (all)

REPAIR PARTS



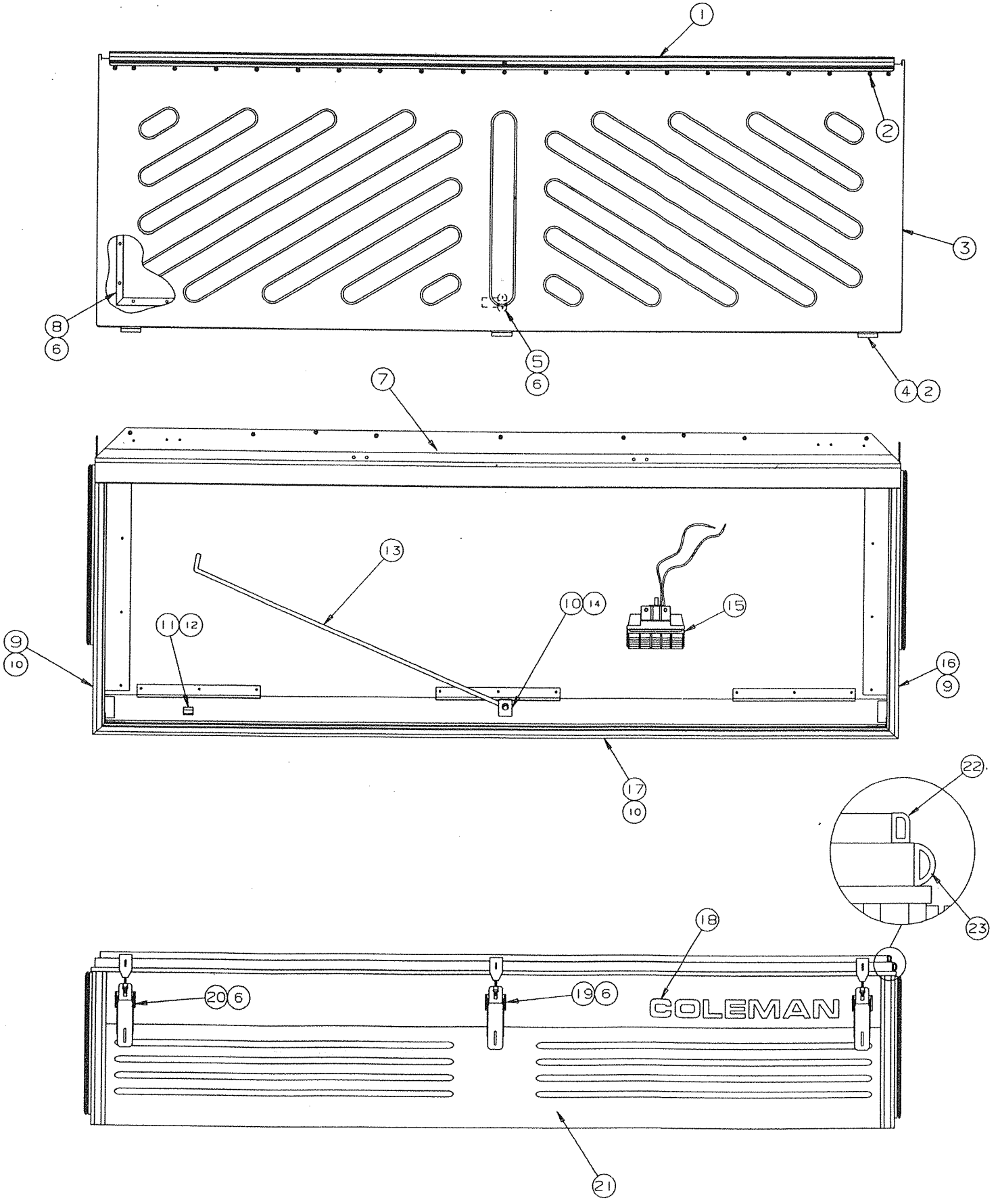
ROADSIDE LEFT SIDE BODY PANEL & COMPONENTS

Note: All panels are shipped less trim tape & decals

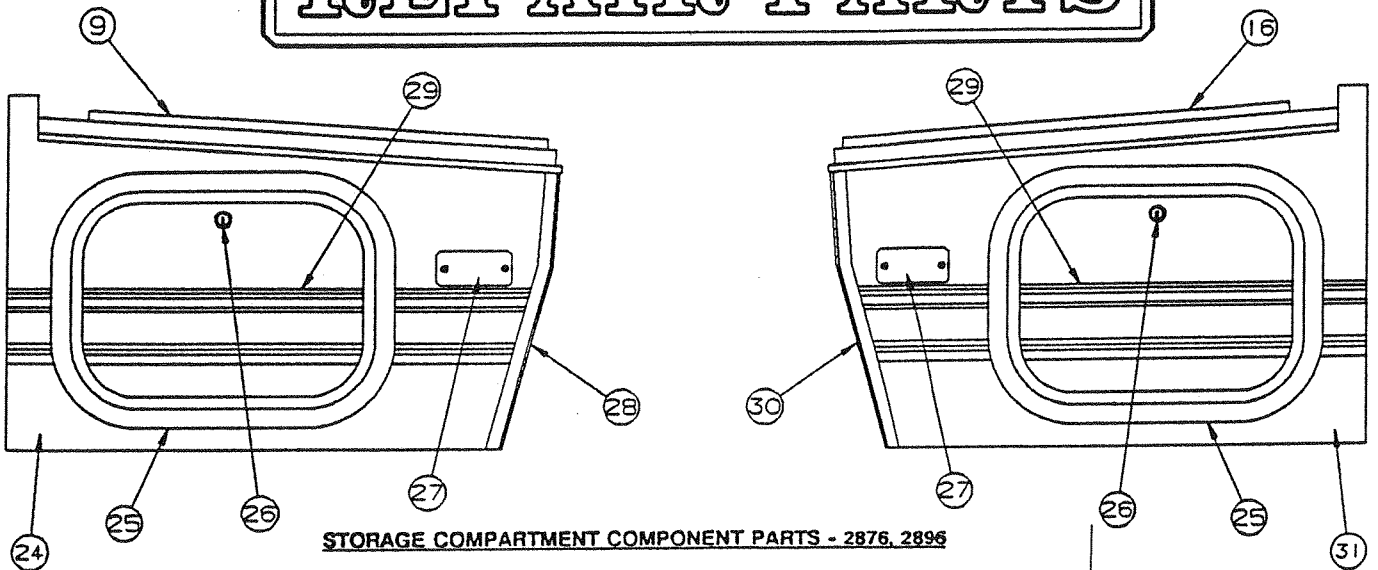
**2800 Destiny Series Body Panel Repair Kit
4716A8251 Roadside or Curbside Hardware & Trim Tape Kit**

CODE	PART NO.	DESCRIPTION
1	4747A0451	Body panel, 2870
	4749A98071	Body panel, 2874
	4749A9801	Body panel, 2875
	4751A4361	Body panel, 2876
	4747A9701	Body panel, 2889
	4751-0531	Body panel, 2896
2	4350001433F	Trim tape (10' required)
3	4714G08481	Amber lens & base
	4733G1311	Socket & harness
	4714-3701	Bulb (#194) M4
	4745-3968	Screw x2
4	4741C6041	Top latch (without lock)
	4749-4848	Foam pad
	4741-8218	Hex head tek screw x4
5	4747-058	Body rail, 2870, 2874, 2875, 2876
	4747-973	Body rail 2889, 2896
	1203-8641	Rivet, M50 (rivet panel to rail)
6	4732F1521	City fill (all)
	4741-9568	Female adaptor
	4741-9108	Screw x3
7	4746B9338	Destiny/Fleetwood decal
8	4745A9948	30AMP decal
9	4733B23361	Cable hatch
	4741-3508	Hex head screw x3
10	4714G08581	Red lens & base
	NOTE: Refer to Code 3 for component parts	
11	4744B2668	Drain decal
12	4723B8071	Velcro hook path

1994 DESTINY SERIES



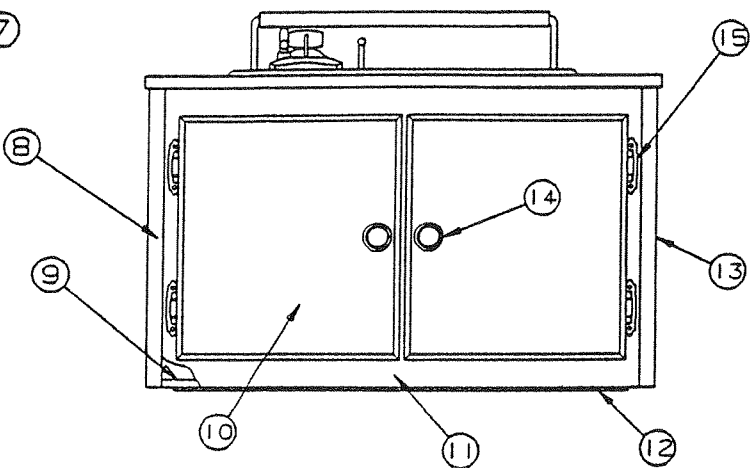
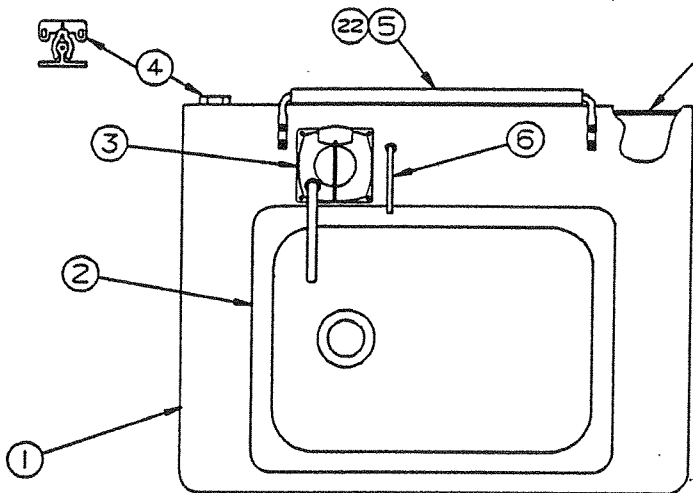
REPAIR PARTS



STORAGE COMPARTMENT COMPONENT PARTS - 2876, 2896

CODE	PART NO.	DESCRIPTION
1	4751-2441	Lid hinge (plastic) 2876, 2896
	4751-2431	Hinge angle (metal)
2	4751-1551	Rivet x2 (arctic white) M25
3	4751-8421	Lid assembly 2876 Cedar XL (complete)
	4751A5321	Lid assembly 2896 Rio Grande (complete)
4	4749B1441	Latch strike x3, M2
	4751-1248	Backing plate x3
5	4746C0701	Support bracket
	4350000020	Abrasion resistant tape (sold/ft)
6	4745-3968	Screw (arctic white)
7	4751D0178	Front rail 2876 Cedar XL
	4751C017	Front rail 2896 Rio Grande
8	4751-461	Plastic wrap-a-round 2876 Cedar XL
	4751-800	Plastic wrap-a-round 2896 Rio Grande
9	4751-468	Curbside cap 2876 Cedar XL
	4751A0971	Curbside cap 2896 Rio Grande
10	1103E1018	Screw (stainless steel)
11	4720A0721	Cooler clip, M2
12	4737-8488	Screw
13	4751-4211	Prop rod 2876 Cedar XL
	4751-1181	Prop rod 2896 Rio Grande
	4751-1208	Push nut cap x1
14	4751-1191	Prop rod bracket
15	4751-0921	Cargo light
	1203-8951	Rivet x2 per light, M25
16	4751-469	Roadside cap - 2876 Cedar XL
	4751A0961	Roadside cap - 2896 Rio Grande
17	4751-0951	Front cap - 2876, 2896
18	4745B1908	Coleman logo
19	4715F5051	Top latch (with lock)
20	4741C6041	Top latch x2 (without lock)
21	4751-4181	Front ABS panel (plastic panel only) 2876 Cedar XL
	4751-0451	Front ABS panel (plastic panel only) 2896 Rio Grande
22	4060000025F	Lid seal - sold/foot 17' required
23	4060000027F	"D" seal - sold/foot 11' required
24	4751-6211	"CS" compartment side 2876 Cedar XL (complete w/door)
	4751C5301	"CS" compartment side 2896 Rio Grande (complete w/door)
25	4751-4261	Compartment door - less lock 2876 Cedar XL
	4751A0981	Compartment door - less lock 2896 Rio Grande
26	4751-8301	Lock assembly with "O" ring
	4730A3211	Key, M10
27	4714G08481	Amber lens & base
	4750-3748	Marker light gasket
	Refer to Page 11 for component parts	
28	4751-4301	Right front corner (curbside) 2876 Cedar XL
	4751-0491	Right front corner (curbside) 2896 Rio Grande
	4716-065	Screw x4
	4060400096F	Vinyl screw cover - sold/foot
	4350000058F	Saturated foam tape - sold/foot
29	4350001433F	Trim tape - sold/foot
30	4751-4311	Left front corner - 2876 Cedar XL
	4751-0501	Left front corner - 2896 Rio Grande
	NOTE: Refer to CODE 28 for component parts	
31	4751-6221	Roadside compartment side 2876 Cedar XL (complete w/door)
	4751C5311	Roadside compartment side 2896 Rio Grande (complete w/door)

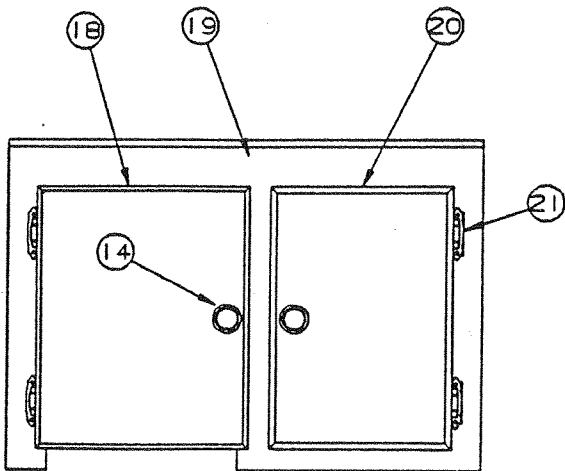
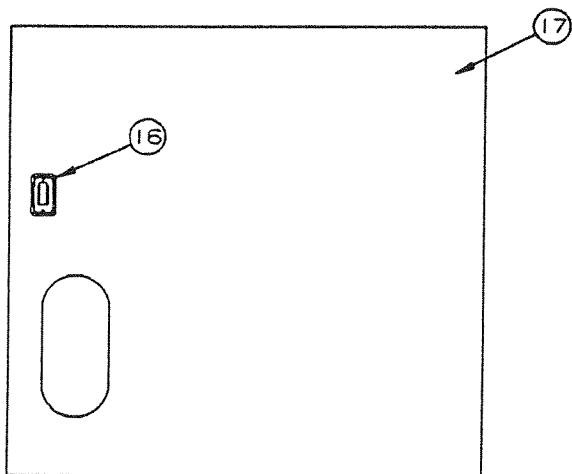
1994 DESTINY SERIES



UPPER GALLEY ASSEMBLY - 2870 ROANOKE (4747E5691)
LOWER GALLEY ASSEMBLY - 2870 ROANOKE (4747C568)

*** NOTE: TRAILERS PRODUCED AFTER 2/11/94 - WILL USE PARTS MARKED WITH ASTERISK**

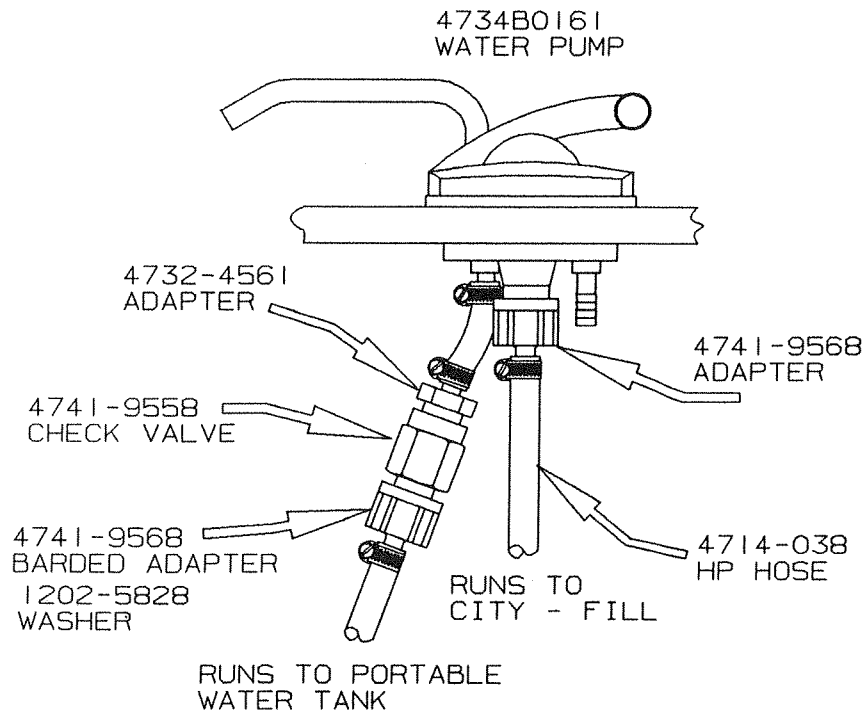
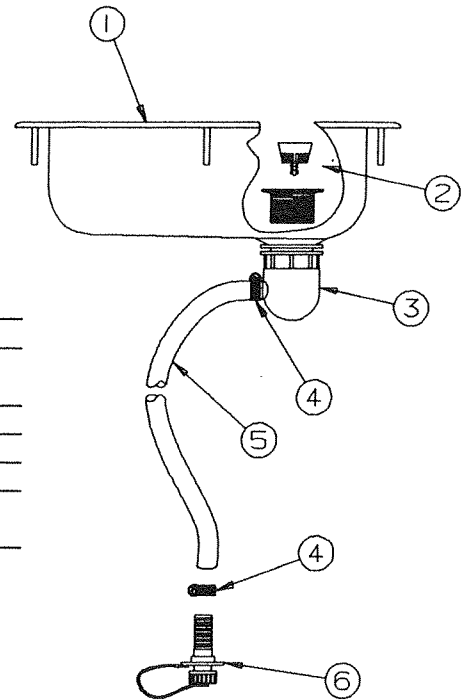
CODE	PART NO.	DESCRIPTION
1	4747E3311	Upper galley top 2870
	4060300082F	T-molding (7 1/2' required)
	NOTE: Upper galley top includes T-molding	
2	4710F0301	Sink
	Refer to Page 17 for sink component parts	
3	4734B0161	Water pump
	4716-081	Screw x4
4	4744A9261	Knuckle latch
	4737-3208	Tek screw x2 per latch
	4738-3088	Screw x2 (to screw latch to lower galley)
5	4734F0991	Towel bar and padding
	1016B08208	Machine screw x4
	1201B6908	Keps nut x4
6	4746-9071	Pump hold down bar & bracket
	4737-8478	Screw x3
	4742-8701	Flange bushing (plastic)
7	4747A3371	Upper galley back
	* 4747B3371	Upper galley back
8	4750A2651	Corner molding (plastic) x4
	* 4750B2651	Corner molding (plastic) x4
9	4747A3381	Upper galley bottom 3/8"
	* 4747B3381	Upper galley bottom 1/2"
10	4750-2711	Door panel x2
11	4747A3301	Upper galley front 3/8"
	* 4747B3301	Upper galley front 1/2"
12	4747-9671	Galley hinge (must cut to length)
13	4747A3131	Galley side x2
14	4748-3951	Door pull (includes screw)
15	4739B0518	Hinge "brite brass"
	NOTE: Refer to Page 20 for screws	
16	4746A0971	Kill switch
	4735-2948	Kill switch mounting plate
	4716-075	Screw x2
17	4747C3291	Lower galley top
18	4747C3401	Door panel
19	4747C3261	Galley front 3/8"
	* 4747E3261	Galley front 1/2"
20	4747C3431	Door panel
21	4745C26188	Hinge (self closing)
22	4716-1311	Towel bar padding 36" pc



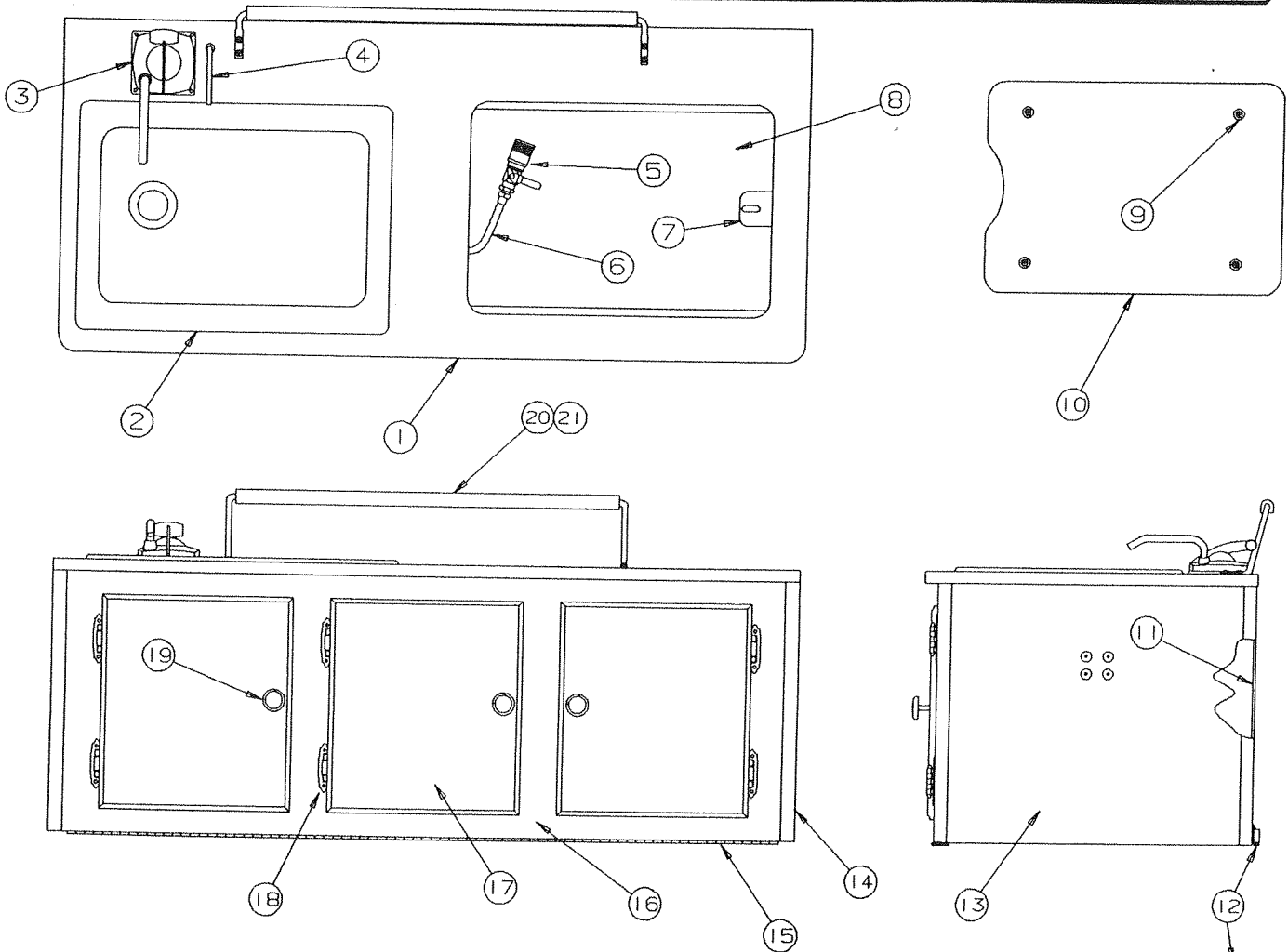
REPAIR PARTS

SINK & COMPONENT PARTS:

CODE	PART NO.	DESCRIPTION
1	4710F0301	Sink, stainless steel
2	4714B0661	Crumb cup "only"
	4730D3151	Crumb cup & basket
3	4734A0671	Drain trap, M2
4	4744-2678	Hose clamp
5	4742A8781	Drain hose (sold/5 ft lengths)
6	4734C0681	Drain spout, M2
	4714-0021	Cap & strap, M2



1994 DESTINY SERIES



*** NOTE: TRAILERS PRODUCED AFTER 2/11/94 - WILL USE PARTS MARKED WITH ASTERISK**

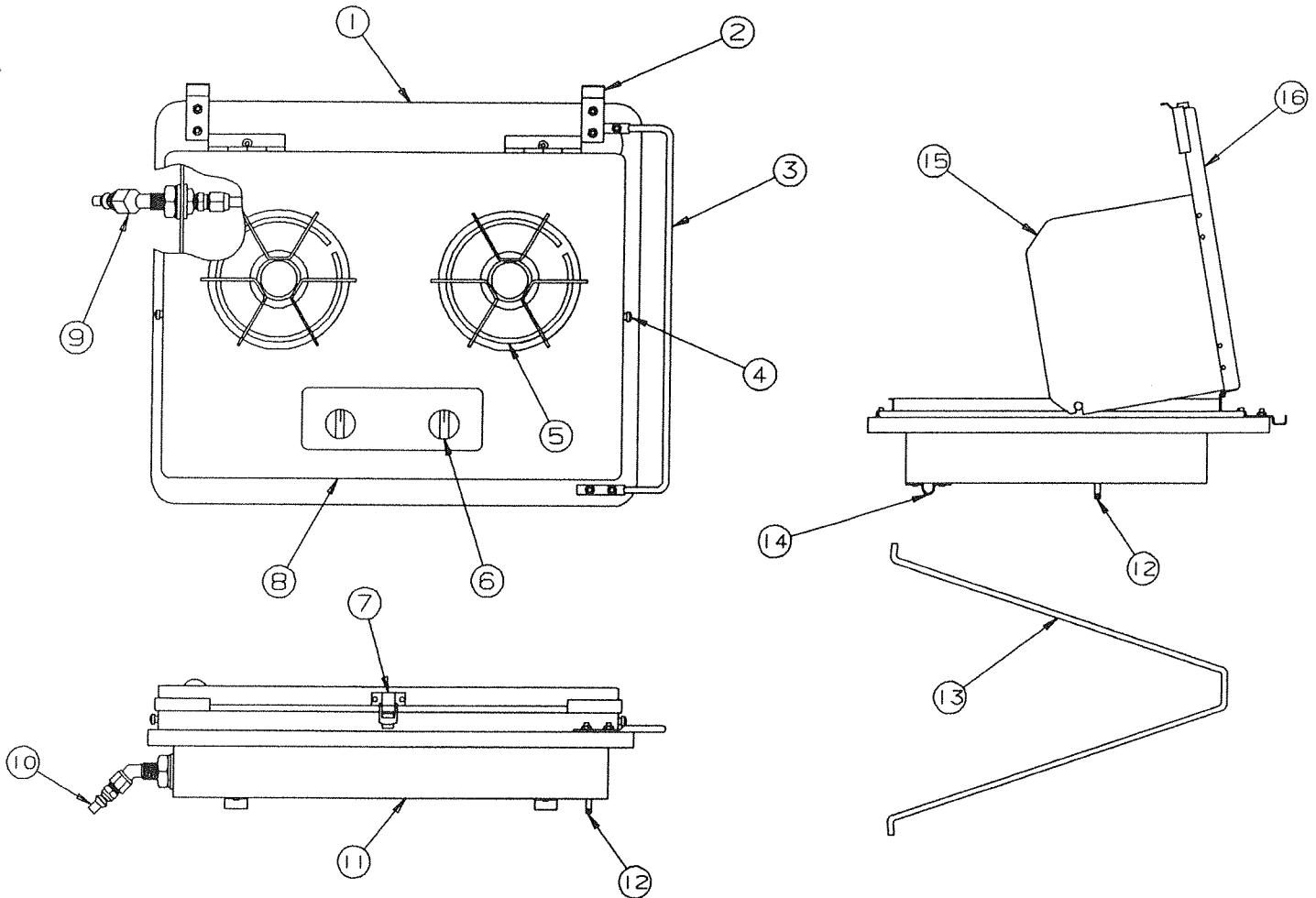
UPPER GALLEY ASSEMBLY - 2875, 2876 (4749C6541)

UPPER GALLEY ASSEMBLY - 2874 (4749C65471)

NOTE: CEDAR MT UPPER GALLEY ASSEMBLY WILL NOT INCLUDE SINK, WATER PUMP OR STOVE.

CODE	PART NO.	DESCRIPTION
1	4749D9921	Upper galley top 2875, 2876
	4749D99271	Upper galley top 2874
	4060300082F	T-molding (15' required)
	NOTE: Upper galley top includes T-molding	
2	4710F0301	Sink
	NOTE: Refer to Page 17 for sink component parts	
3	4734B0161	Water pump
	4716-081	Screw x4
4	4746-9071	Pump hold down bar & bracket
	4737-8478	Screw x3
	4742-8701	Flange bushing (plastic), M4
5	4749A9971	Gas quick disconnect
	4746A8571	Gas hose 37" (flexible)
6	4750B329	Stove hold down bracket
	4744B4608	Rivet x4 (elm)
8	4750-2521	Upper galley bottom 3/8"
	* 4750A2521	Upper galley bottom 1/2"
9	4724-2608	Recessed bumper x4
	4737-8488	Screw x4
10	4749D6551	Cutting board
11	4750-2531	Upper galley back
	* 4750A2531	Upper galley back
12	4744A9261	Knuckle latch
	4737-3208	Tek screw x2 per latch
	4738-3088	Screw x2, to screw latch to lower galley top
13	4747B3131	Wood side panel
14	4750A2651	Corner molding (plastic) x4
	* 4750B2651	Corner molding (plastic) x4
15	4747-9671	Galley hinge
16	4750-2541	Upper galley front 3/8"
	* 4750A2541	Upper galley front 1/2"
17	4747C3411	Door panel
18	4739B0518	Hinge "brite brass"
NOTE: Refer to Page 20 for screws		
19	4748-3951	Door pull (includes screws)
20	4748D4211	Towel bar w/padding
	1016B08208	Machine screw x4 per bar
	1201B6908	Keps nut x4 per bar
21	4716-1311	Towel bar padding 36" pc

REPAIR PARTS



LIFT OUT STOVE ASSEMBLY 2870, 2875, 2876 (4749C6561)

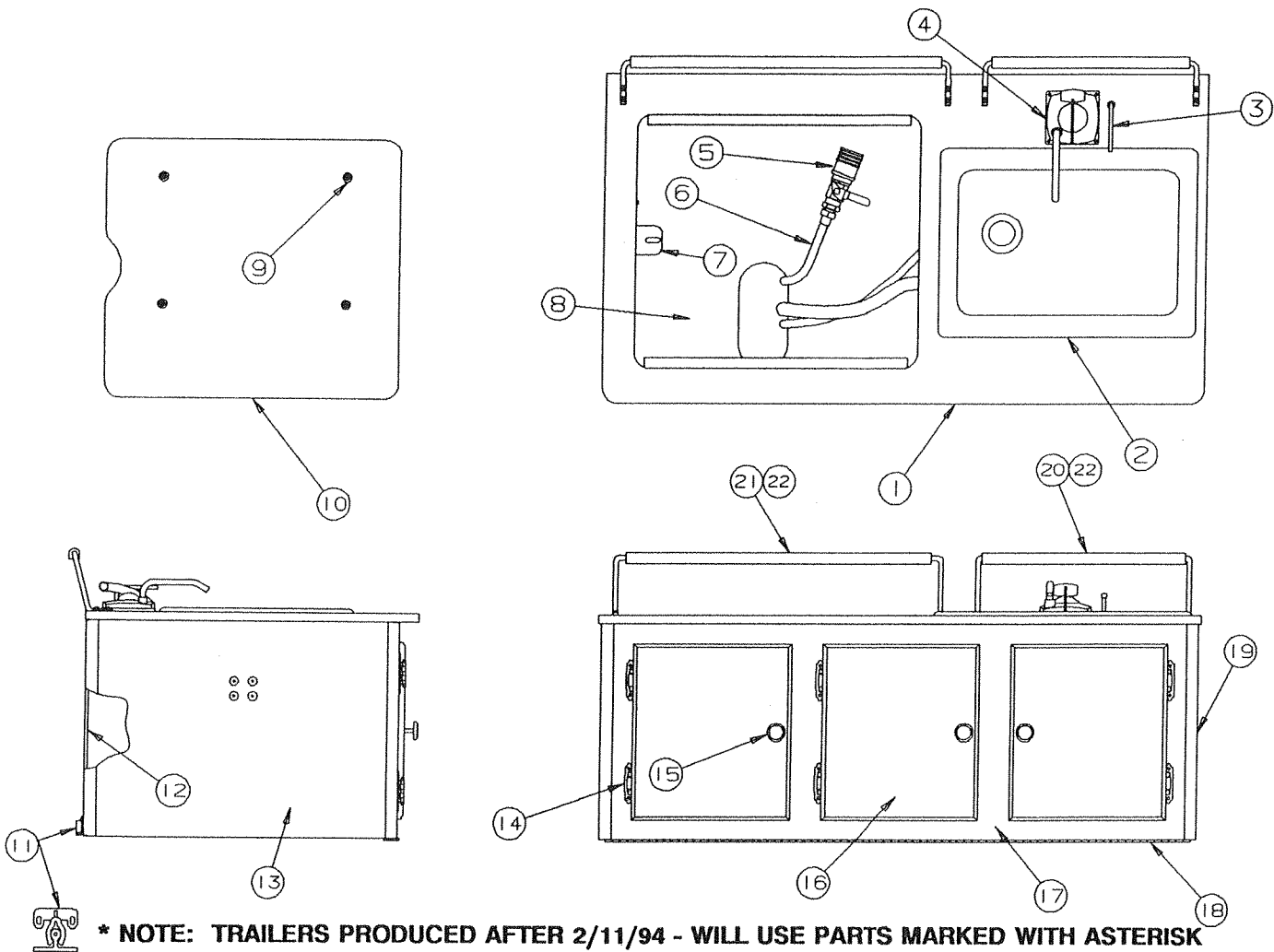
CODE	PART NO.	DESCRIPTION
1	4749C9981	Stove counter top
2	4746-8621	Stove bracket x2
	4716-056	Countersunk screw
	1201B6958	Nut
3	4748-2591	Towel rack
	NOTE: Refer to Code 2 for screw & nuts	
4	4716A0881	Thumb screw x2, M6
5	4716-1851	Grate x2
6	4716-1861	Knob x2
7	4733-4018	Stove cover latch
	1203-8558	Rivet x2 per latch
	4733-4028	Strike
	4737-8478	Screw
8	4744D2381	2 Burner stove top
9	4716A7771	Gas line disconnect package
10	4749A9998	Male plug w/orifice
11	4748B2581	2 Burner stove box
12	4751-6751	Stove pin kit
13	4748-2731	Stove support leg, 2870, 2875
	4751-4661	Stove support leg, 2876 only
14	4746C0701	Support bracket x2
	4733D0601	Rivet, M25
15	4749B9931	Stove fin x2
	4741A4401	Hinge (x2 per fin)
	1203-8558	Rivet (rivet hinge to fin)
16	4749B6601	Stove cover
	4737-3211	Rubber button x2, M8

To order service parts for Wedgewood Stove components - Please write or phone:

Attwood Greenbrier Operations
P. O. Box 4
6320 Kelly Willis Road
Greenbrier, TN 37073

Phone: 615/643-4556

1994 DESTINY SERIES



* NOTE: TRAILERS PRODUCED AFTER 2/11/94 - WILL USE PARTS MARKED WITH ASTERISK

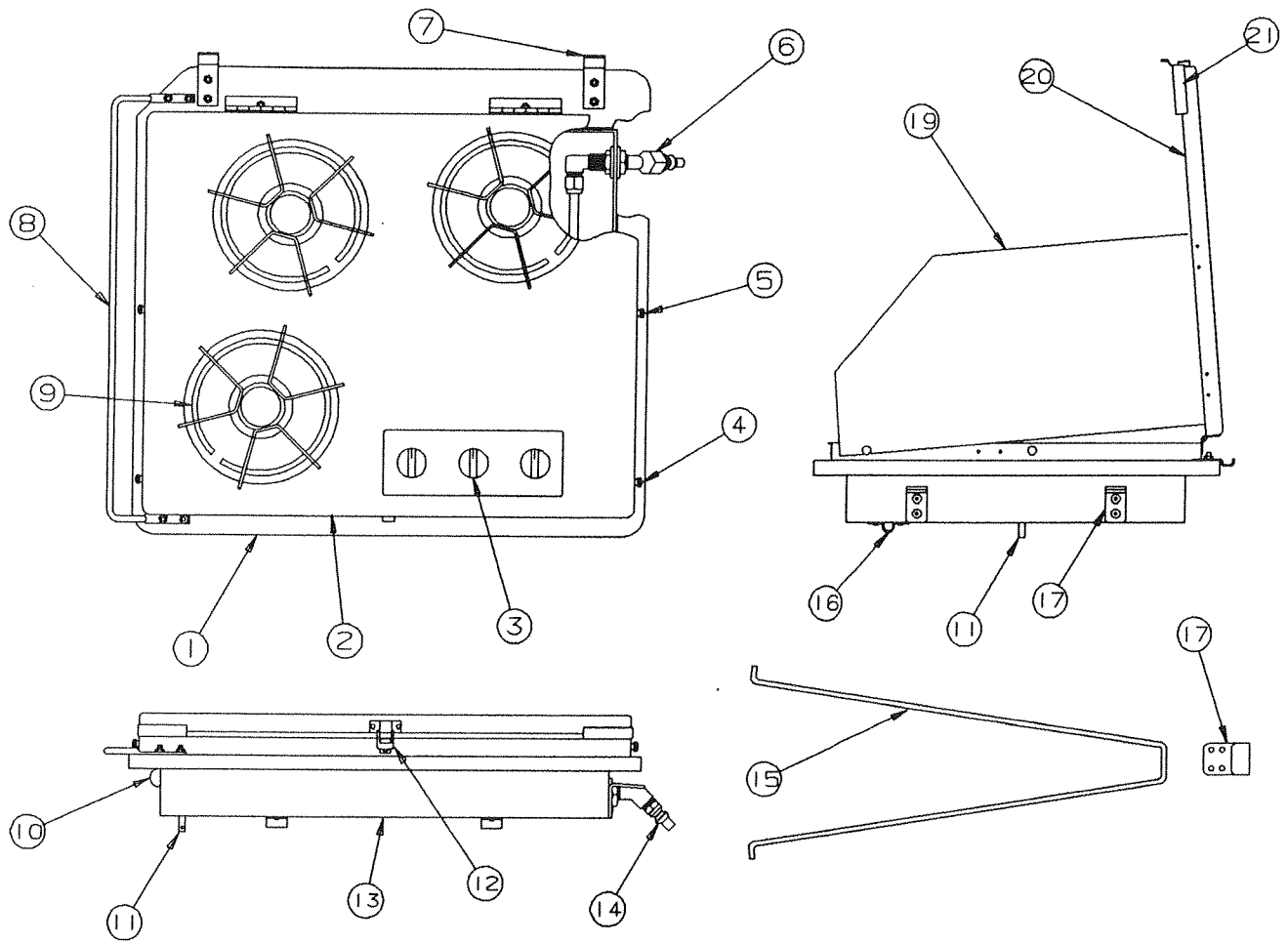
UPPER GALLEY ASSEMBLY - 2889, 2896 (4747F6721)

CODE	PART NO.	DESCRIPTION
1	4747G4391	Upper galley top 2889, 2896
	4060300082F	T-molding (17' required)
	NOTE: Upper galley top includes T-molding	
2	4710F0301	Sink
	NOTE: Refer to Page 17 for sink component parts	
3	4746-9071	Pump hold down bar & bracket
	4737-8478	Screw x3
	4742-8701	Flange bushing (plastic), M4
4	4734B0161	Water pump
	4716-081	Screw x4
5	4749A9971	Gas quick disconnect
6	4746A8571	Gas hose 37" (flexible)
7	4750B329	Stove hold down bracket
	4744B4608	Rivet x4 (elm)
8	4746A8601	Upper galley bottom 3/8"
	* 4746B8601	Upper galley bottom 1/2"
9	4724-2608	Recessed bumper x4
	4737-8488	Screw x4
10	4748D6451	Cutting board
11	4744A9261	Knuckle latch
	4737-3208	Tek screw x2 per latch
	4738-3088	Screw x2, to screw latch to lower galley top

12	4747B4981	Upper galley back
	* 4747C4981	Upper galley back
13	4746A8651	Wood side panel
14	4739B0518	Hinge "bright brass"
	4749B4118	1/2" Screw (2 per hinge)
	4749B4598	3/8" Screw (3 per hinge)
15	4748-3951	Door pull (includes screw)
16	4747C3411	Door panel
17	4747B4361	Upper galley front 3/8" 2889, 2896
	* 4747C4361	Upper galley front 1/2" 2889, 2896
18	4747-9671	Galley hinge
19	4750A2651	Corner molding (plastic) x4
	* 4751-9871	Corner molding (plastic) x4
20	4734G0991	Towel bar w/padding
21	4748D4211	Towel bar w/padding
	1016B08208	Machine screw x4 per bar
	1201B6908	Keps nut x4 per bar
22	4716-1311	Towel bar padding 36" pc

Revised Copy - April 1994

REPAIR PARTS



LIFT OUT STOVE ASSEMBLY 2889, 2896 (4748B6441)

CODE	PART NO.	DESCRIPTION
1	4746C8331	Stove counter top 2889, 2896
2	4746-8561	3 Burner stove top 2889, 2896
3	4716-1861	Knob x3
4	4746-8661	Thumb screw & nut (plastic) M6
5	4716A0881	Thumb screw M6
6	4716A7771	Gas line disconnect pkg
7	4746-8621	Stove bracket
	4716-056	Countersunk screw x2
	1201B6958	Nut x2
8	4746-8631	Towel bar
NOTE: Refer to Code 7 for nut & screws		
9	4716-1851	Grate x3
10	4737-3211	Rubber button, M8
11	4751-6751	Stove pin kit

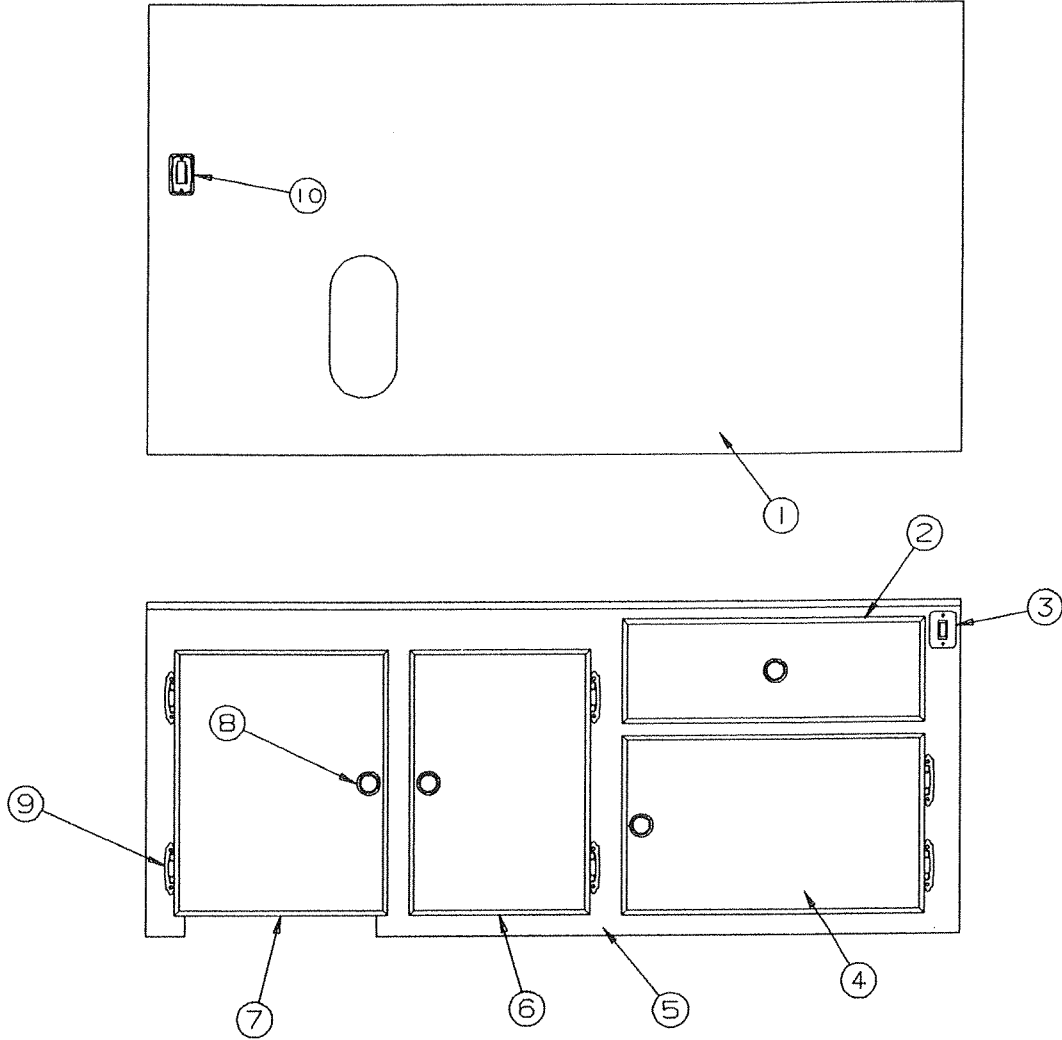
12	4733-4018	Stove cover latch
	1203-8558	Rivet x2 per latch
	4733-4028	Stove strike
	4737-8478	Screw
13	4746-8551	3 Burner stove box
14	4749A9998	Male plug with orifice
15	4746-8591	Stove support leg
16	4746C0701	Support bracket x2
	4733D0601	Rivet x2 per bracket, M25
17	4746-8321	Stove bracket x2
18	4737B9331	Stove support leg bracket
	4741-9108	Tek screw x4
19	4746-8541	Stove fin x2
	4741A4401	Hinge (x2 per fin)
	1203-8558	Rivet (rivet hinge to fin)
20	4748-6461	Stove cover (complete w/hardware)
21	4732A2291	Edge molding x2, M2

To order service parts for Wedgewood Stove components - Please write or phone:

**Attwood Greenbrier Operations
P. O. Box 4
6320 Kelly Willis Road
Greenbrier, TN 37073**

Phone: 615/643-4556

1994 DESTINY SERIES

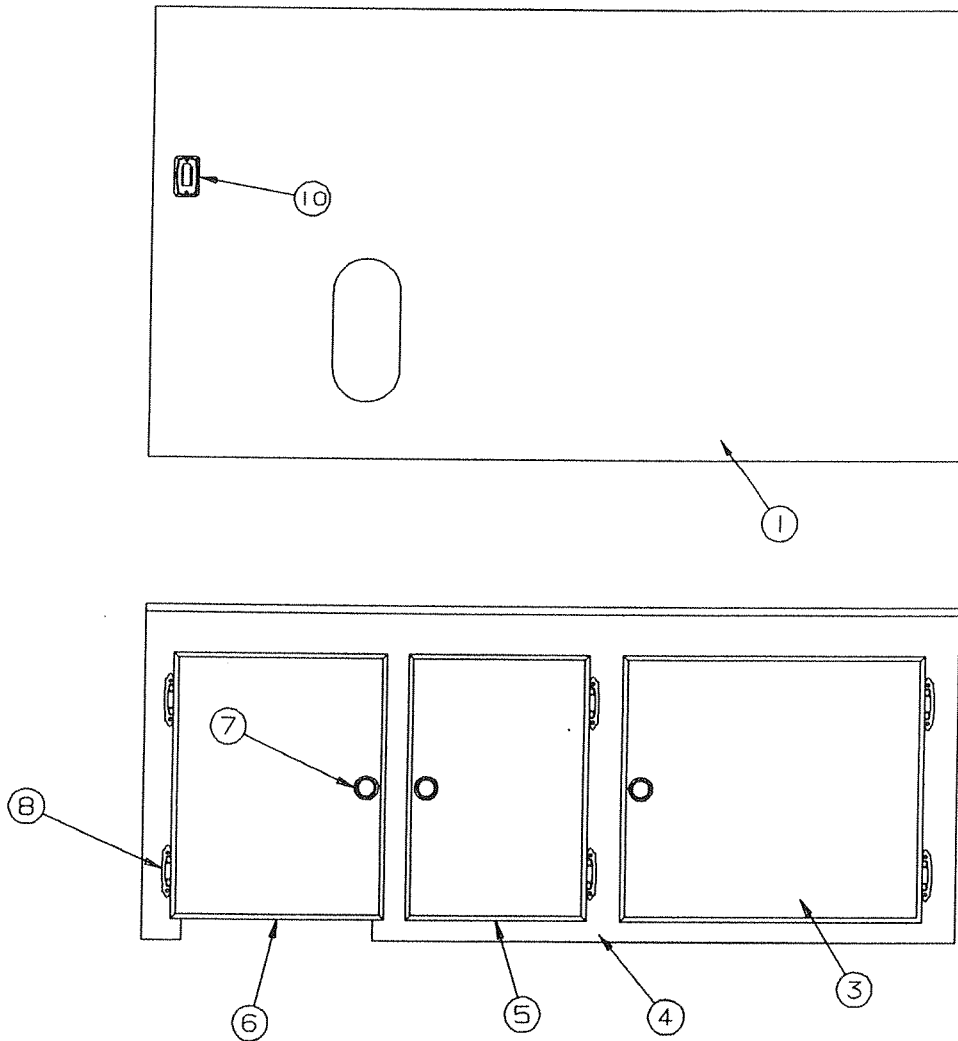


*** NOTE: TRAILERS PRODUCED AFTER 2/11/94 - WILL USE PARTS MARKED WITH ASTERISK**

LOWER GALLEY ASSEMBLY - 2889, 2896

CODE	PART NO.	DESCRIPTION
1	4747D4371	Lower galley top, 2889, 2896
2	4747E5821	Drawer assembly, 2889, 2896
3	4751-1161	Rocker switch "lighted" (2896 only)
	4738-3088	Screw x2
4	4750-2641	Door panel, 2889, 2896
5	4747C4301	Lower galley front, 2889
*	4747D4301	Lower galley front, 2889
	4747C43081	Lower galley front, 2896
*	4747D43081	Lower galley front, 2896
6	4747C3431	Door panel 2889, 2896
7	4747C3401	Door panel 2889, 2896
8	4748-3951	Door pull (includes screws)
9	4745C26188	Hinge (self closing)
10	4746A0971	Kill switch
	4735-2948	Kill switch mounting plate
	4716-075	Screw x2

REPAIR PARTS

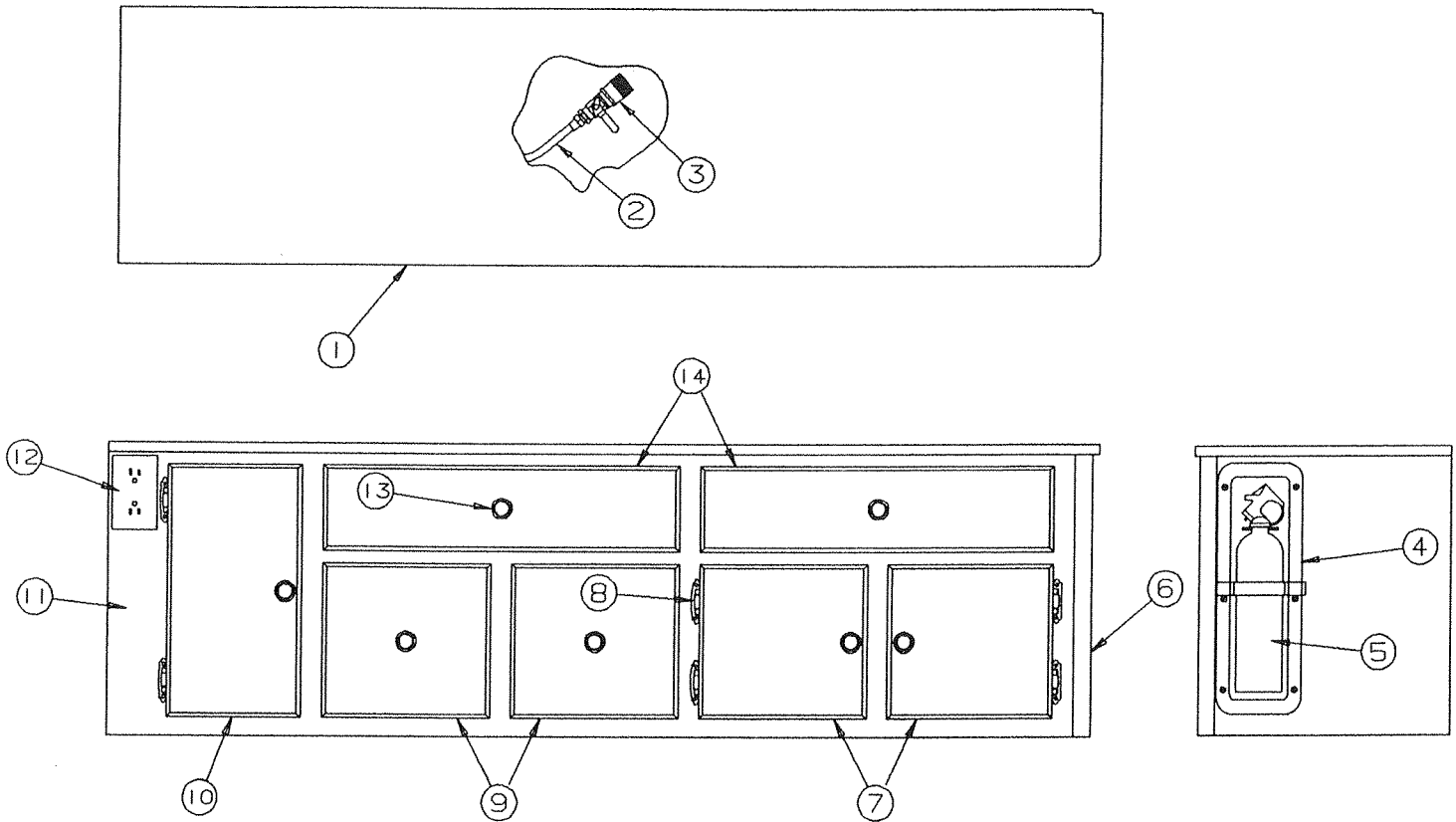


*** NOTE: TRAILERS PRODUCED AFTER 2/11/94 - WILL USE PARTS MARKED WITH ASTERISK**

LOWER GALLEY ASSEMBLY - 2875, 2874, 2876

CODE	PART NO.	DESCRIPTION
1	4747D4371	Lower galley top 2875, 2876
	4747D43771	Lower galley top 2874
2	4746A0971	Kill switch
	4735-2948	Kill switch mounting plate
	4716-075	Screw x2
3	4749B9911	Door panel
4	4749A9901	Lower galley front 3/8" 2874, 2875
*	4749B9901	Lower galley front 1/2" 2874, 2875
	4749A99081	Lower galley front 3/8" 2876
*	4749A99081	Lower galley front 1/2" 2876
5	4747C3431	Door panel
6	4747C3401	Door panel
7	4748-3951	Door pull (includes screws)
8	4745C26188	Hinge (self closing)

1994 DESTINY SERIES

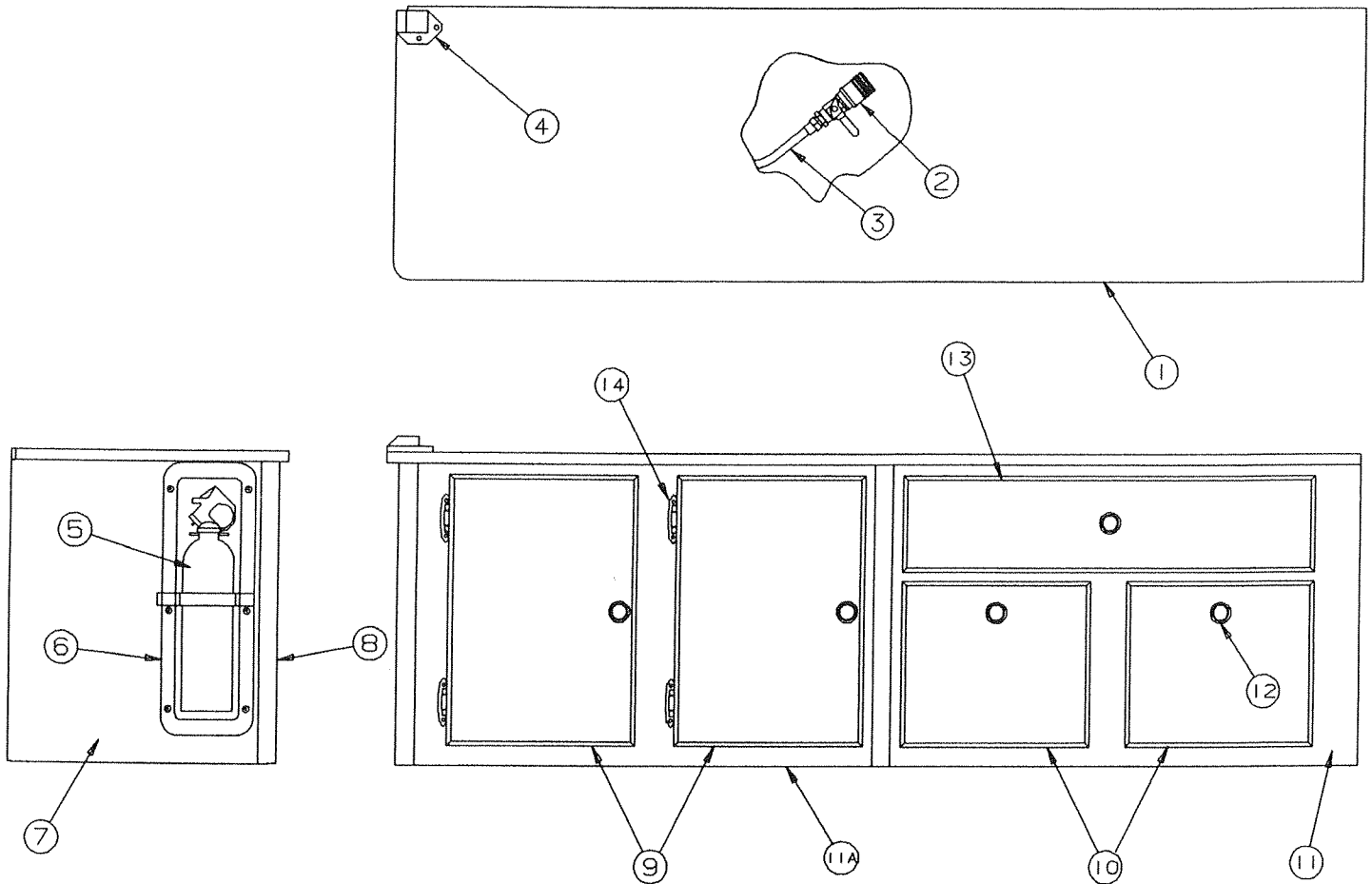


*** NOTE: TRAILERS PRODUCED AFTER 2/11/94 - WILL USE PARTS MARKED WITH ASTERISK**

HUTCH ASSEMBLY - 2896 RIO GRANDE

CODE	PART NO.	DESCRIPTION
1	4751-0241	Hutch top
	4716A178	T-molding "elm" 6 1/2' required
	NOTE: Hutch top includes T-molding	
2	4747A2081	Gas hose (22")
3	4749A9971	Gas quick disconnect
4	4737B4198	Recessed mount
5	4737A5558	Fire extinguisher
6	4748-8661	Corner molding M2 (plastic)
7	4751-0251	Door panel x2
8	4745C26188	Hinge (self closing)
9	4751-5031	Drawer assembly x2
10	4751-0441	Door panel
11	4751-022	Hutch front 3/8"
	* 4751A022	Hutch front 1/2"
12	4710B3551	15 AMP Receptacle (brown)
13	4748-3951	Door pull (includes screws)
14	4751-5041	Drawer assembly x2

REPAIR PARTS

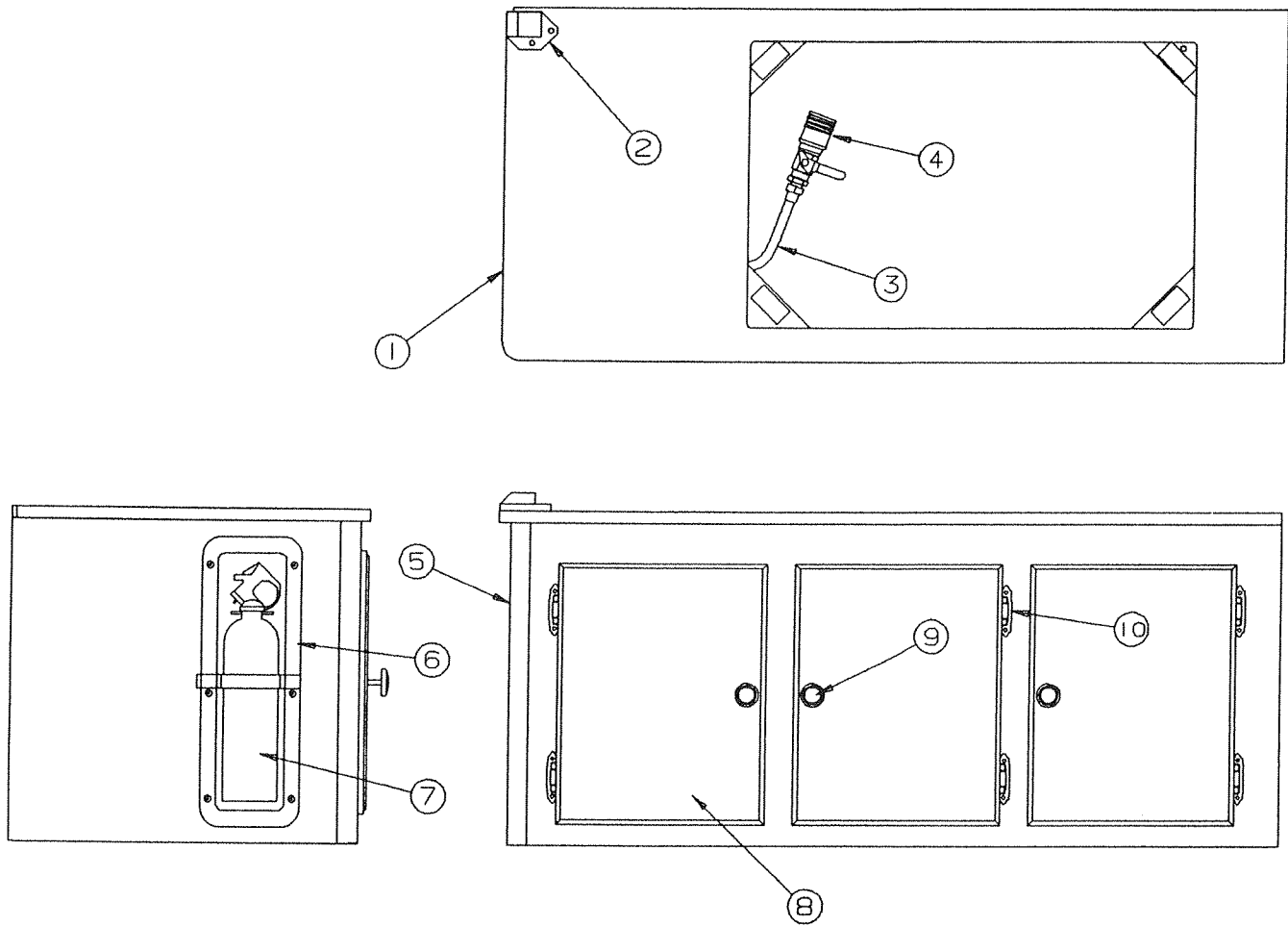


*** NOTE: TRAILERS PRODUCED AFTER 2/11/94 - WILL USE PARTS MARKED WITH ASTERISK**

HUTCH ASSEMBLY - 2889 ROYALE

CODE	PART NO.	DESCRIPTION
1	4747D4551	Hutch top 2889
	4716A178	T molding 5/8" elm
NOTE: Hutch top includes T-molding		
2	4749A9971	Gas quick disconnect
3	4747A2081	Gas hose (22")
4	4747A4781	Bed slide wedge
5	4737A5558	Fire extinguisher
6	4737B4198	Recessed mount
7	4747E975	Hutch side 3/8"
*	4747F975	Hutch side 1/2"
8	4748-8661	Corner molding M2 (plastic)
*	4748A8661	Corner molding M2 (plastic)
9	4749B8941	Door panel x2
10	4749C62481	Drawer assembly-x2
*	4749D62481	Drawer assembly x2
11	4750A267	Hutch front 3/8" x1
*	4750B267	Hutch front 1/2" x1
11A	4750A268	Hutch front 3/8" x1
*	4750B268	Hutch front 1/2" x1
12	4748-3951	Door pull
13	4749C6251	Drawer assembly
14	4745C26188	Hinge

1994 DESTINY SERIES

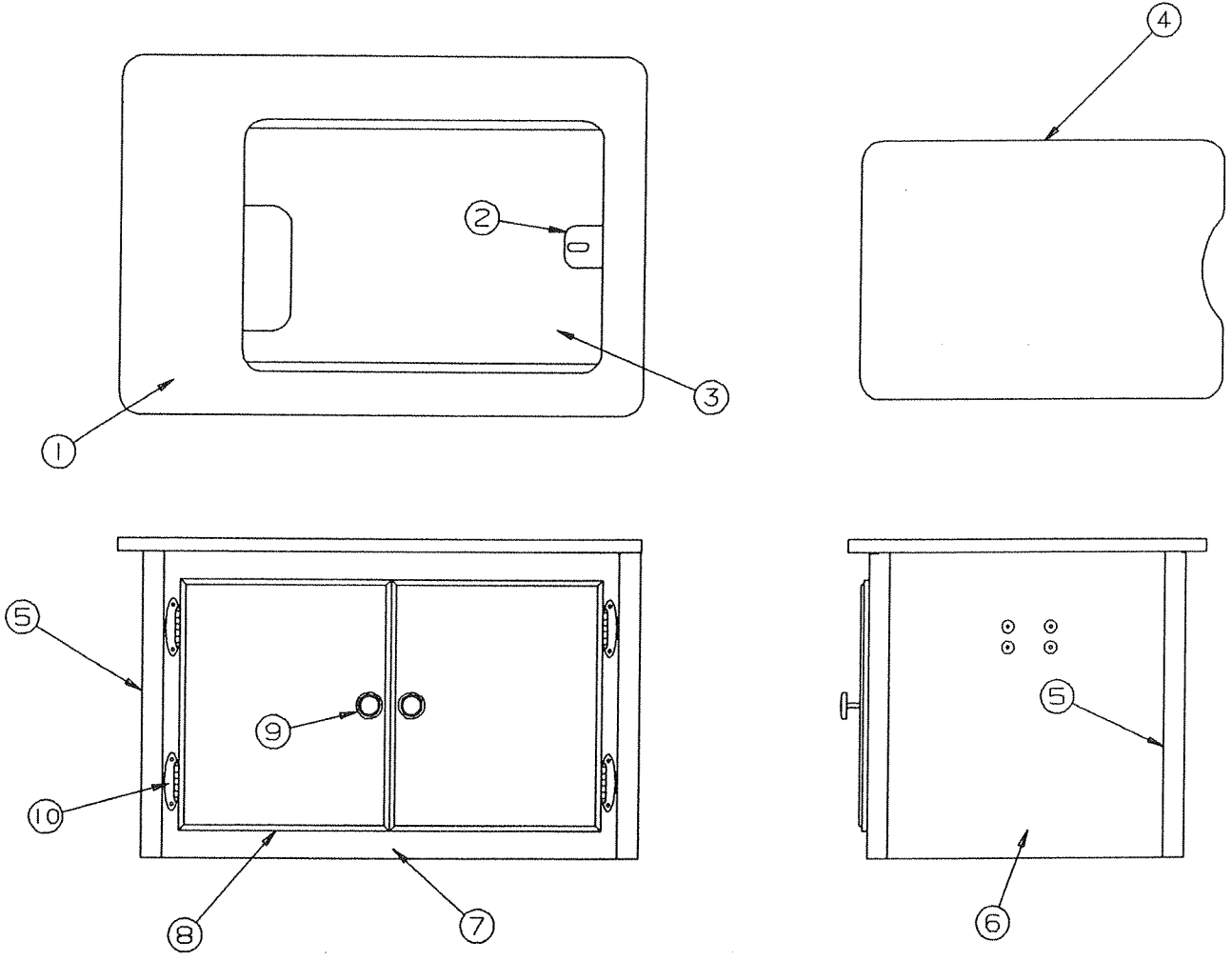


*** NOTE: TRAILERS PRODUCED AFTER 2/11/94 - WILL USE PARTS MARKED WITH ASTERISK**

HUTCH ASSEMBLY, 2870 ROANOKE (4747D566)

CODE	PART NO.	DESCRIPTION
1	4747E3331	Hutch top
	4060300082F	T-molding (13' required)
	NOTE: Hutch top includes T-molding	
2	4747A4781	Bed slide wedge
3	4746A8571	Gas hose, 37"
4	4749A9971	Gas quick disconnect
5	4748-8661	Corner molding M2 (plastic)
	* 4748A8661	Corner molding M2 (plastic)
6	4737B4198	Recessed mount
7	4737A5558	Fire extinguisher
8	4747C3401	Door panel x3
9	4748-3951	Door pull (includes screw)
10	4745C26188	Hinge (self closing)

REPAIR PARTS



*** NOTE: TRAILERS PRODUCED AFTER 2/11/94 - WILL USE PARTS MARKED WITH ASTERISK**

STOVE BOX ASSEMBLY - 2870 ROANOKE (4746B652)

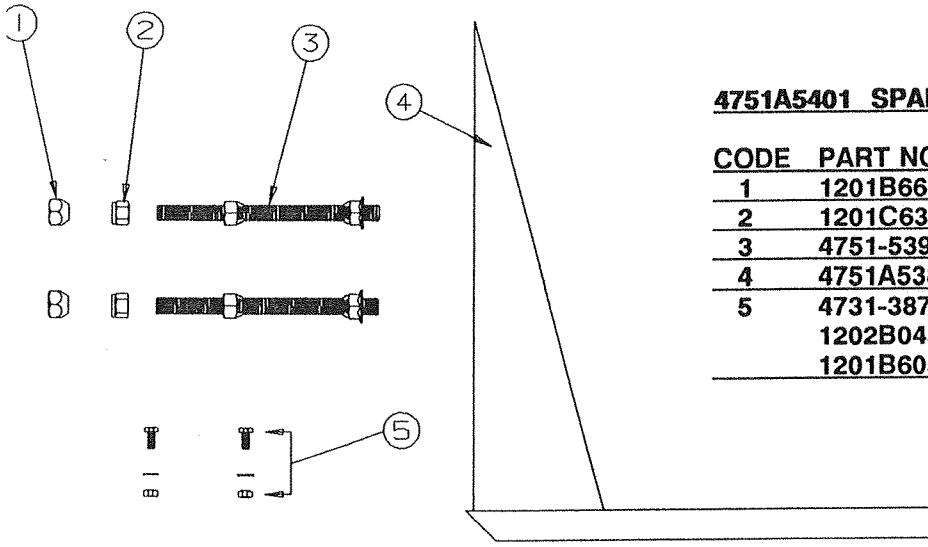
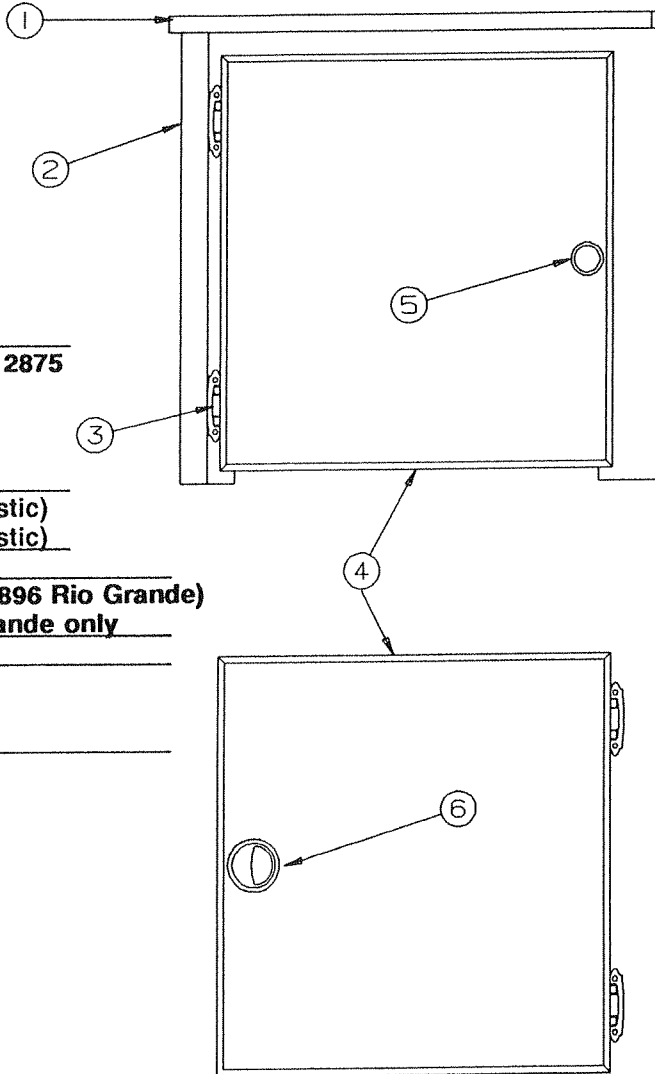
CODE	PART NO.	DESCRIPTION
1	4742D8141	Box top
2	4750B329	Stove hold down bracket
	4744B4608	Rivet x4 (elm)
3	4742A8151	Box bottom
*	4742B8151	Box bottom
4	4749D6551	Cutting board
5	4748-8661	Corner molding (plastic) M2
*	4748A8661	Corner molding (plastic) M2
NOTE: must cut molding to size		
6	4742A818	Box side x2
7	4742A817	Box front
*	4742B817	Box front
8	4750-2711	Door panel x2
9	4748-3951	Door pull (includes screw)
10	4739B0518	Hinge "bright brass"

1994 DESTINY SERIES

*** NOTE: TRAILERS PRODUCED AFTER 2/11/94 -
WILL USE PARTS MARKED WITH ASTERISK**

- 4747C567 STORAGE CABINET - 2870, 2874, 2875**
- 4751-630 STORAGE CABINET "LEFT" 2876**
- 4751-629 STORAGE CABINET "RIGHT" 2876**
- 4747D647 STORAGE CABINET - 2889**
- 4751-509 STORGAE CABINET - 2896**

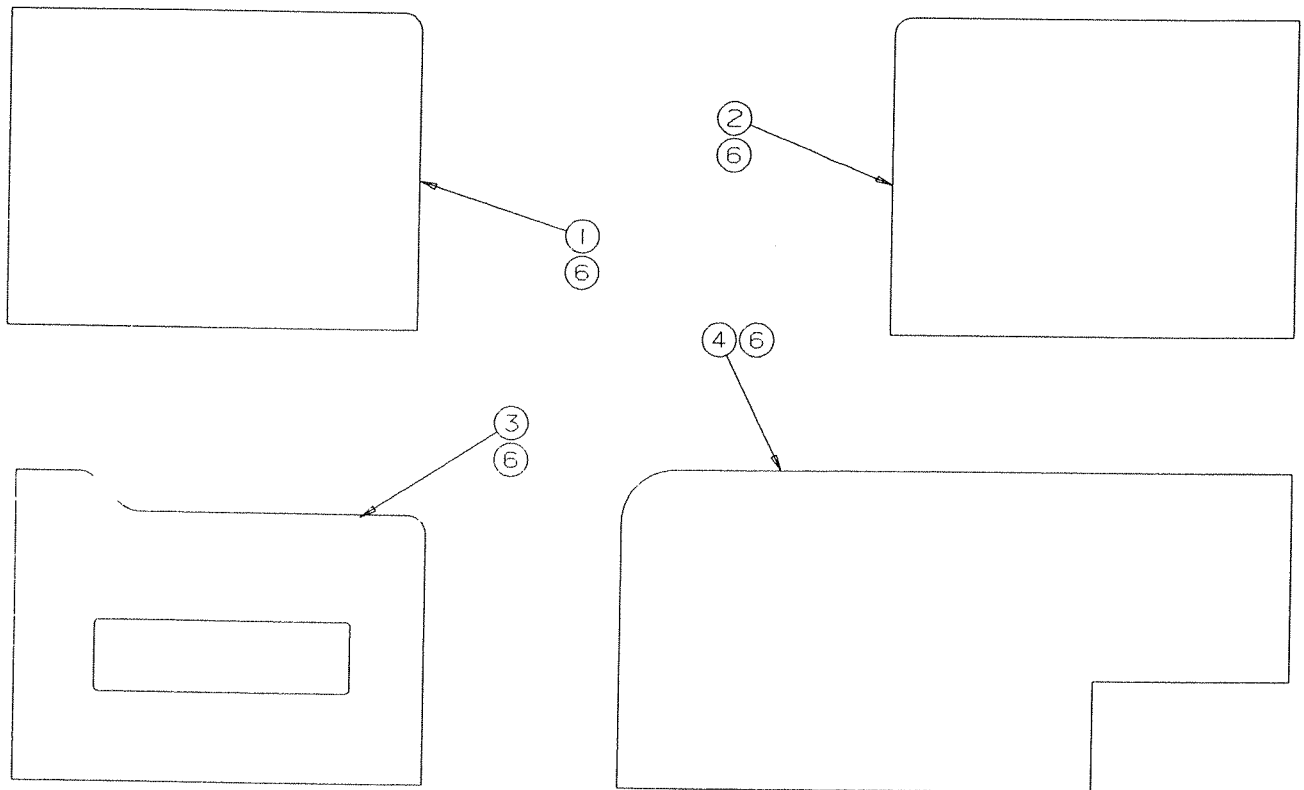
CODE	PART NO.	DESCRIPTION
1	4747B3321	Cabinet top 2870, 2874, 2875
	4751A4481	Cabinet top "left" 2876
	4751A4441	Cabinet top "right" 2876
	4747D4311	Cabinet top 2889
	4751-0581	Cabinet top 2896
2	4748-8661	Corner molding M2 (plastic)
	* 4748A8661	Corner molding M2 (plastic)
3	4745C26188	Hinge (self closing)
4	4747D3441	Door panel (all except 2896 Rio Grande)
	4747E3441	Door panel 2896 Rio Grande only
5	4750-0771	Ring door pull
6	4751-1591	Round latch (brown)
	4751-158	Latch strap
	4751A168	Latch strike



4751A5401 SPARE TIRE CARRIER 2876, 2896

CODE	PART NO.	DESCRIPTION
1	1201B6618	Lug nut x2
2	1201C6368	Lock nut x2
3	4751-539	Stud assembly x2
4	4751A538	Spare tire carrier plate
5	4731-3878	Bolt x4
	1202B0438	Washer x4
	1201B6038	Lock nut x4

REPAIR PARTS



DESTINY SERIES SEAT COMPONENT PARTS

Code	Part No.	Description
1	4749C09681	Seat end 2870
	4749C9161	Seat end 2889, 2896
2	4749C09681	Seat end 2870
	4749C9211	Seat end 2889, 2896
3	4749B9881	Seat end 2875
	4749B98871	Seat end 2874
4	4747C3461	Seat gazoodi 2870
	4749B9171	Seat gazoodi 2889
	4751-0611	Seat gazoodi 2896
5	4749B9871	Table rest (all) (not shown) (must cut to size)
6	4716A178	T-molding "elm"

DESTINY SERIES CUSHIONS AND BACKREST ASSEMBLIES

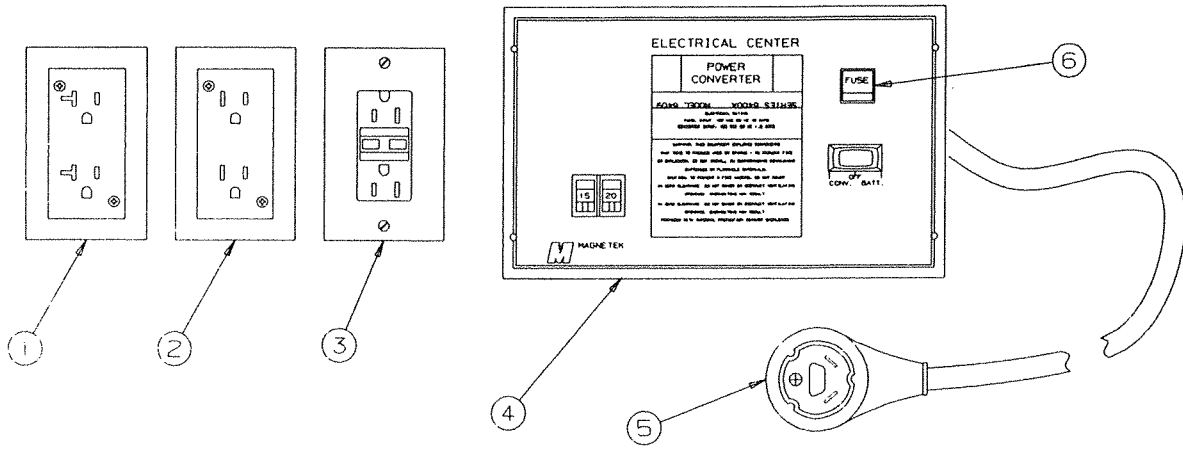
Destiny Series	Cushion		Backrest	
	Assembly	Cover	Assembly	Cover
2870 Roanoke	4747C5801	4716C5801	4747C5811	4716C5811
2874 Cedar MT	4749C6581	4716C6581	4749C6571	4716C6571
2875 Cedar	4749C6581	4716C6581	4749C6571	4716C6571
2876 Cedar XL	4749C6581	4716C6581	4749C6571	4716C6571
2889 Royale	4749C6351	4716C6351	4747D6651	4714D6651
2896 Rio Grande	4749C6351	4716C6351	4747D6651	4714D6651

REFERENCE DIMENSIONS

4710-2681 Cushion stop button, M5

Model	Cushion	Backrest
2870	35 3/4" x 15 x 4"	35 3/4" x 14 1/4" x 4"
2874	40 5/8" x 19 1/2" x 4"	40 5/8" x 17 1/4" x 4"
2875	40 5/8" x 19 1/2" x 4"	40 5/8" x 17 1/4" x 4"
2876	40 5/8" x 19 1/2" x 4"	40 5/8" x 17 1/4" x 4"
2889	38 3/8" x 15" x 4"	37 3/8" x 15 5/8" x 4"
2896	38 3/8" x 15" x 4"	37 3/8" x 15 5/8" x 4"

1994 DESTINY SERIES



CONVERTER AND RELATED PARTS

CODE	PART NO.	DESCRIPTION
1	4744-3081	Receptacle w/cover "20 AMP" (brown)
2	4710B3551	Receptacle w/cover "15 AMP" (brown)
3	4746A3841	Ground fault receptacle w/cover (brown)
4	4742-9811	9 AMP Converter, w/o receptacle (all except 2896)
	4744A4751	9 AMP Converter w/receptacle (2896 only)
5	4744-3101	Power cord 30 ft. (all)
6	4714-3411	Fuse cap, M4

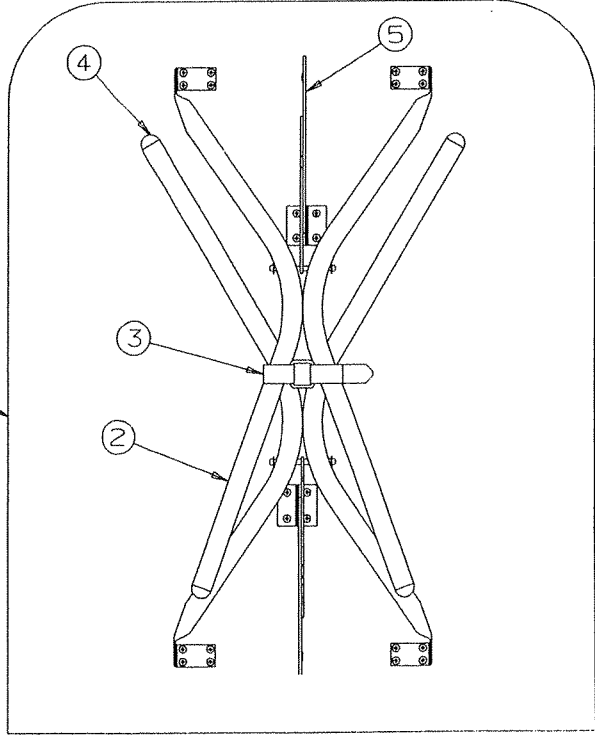
To order service parts for converters please write or phone:

Customer Service Department
MAGNETEK INC.
 721 North Webster Street
 Kokomo, IN 46901

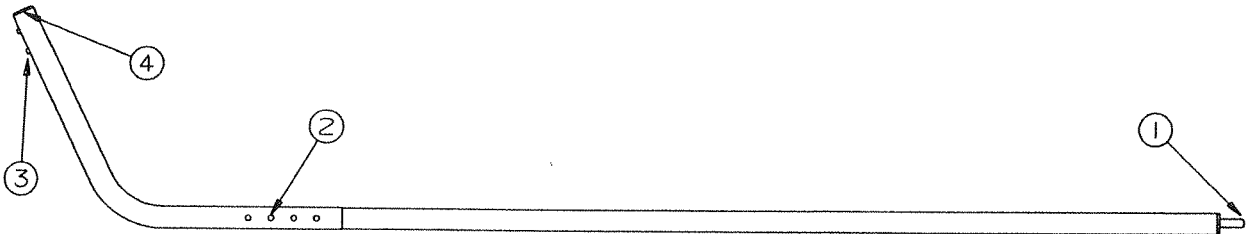
Phone: 317/452-5444

DINETTE TABLE ASSEMBLY - 2800 DESTINY SERIES

CODE	PART NO.	DESCRIPTION
1	4747D4121	Table top 2870 23 1/2" x 36"
	4748D2761	Table top 2875, 2874, 2876 30" x 39"
	4747D4351	Table top 2889, 2896 29 1/2" x 36"
	4060300082F	T molding 3/4" (sold/foot)
	NOTE: T-molding included on table top	
2	4745A52781	Table leg package, M2
	NOTE: Table leg package includes 2 pair of legs and all hardware required to mount legs to table top.	
3	4751-9711	Table leg strap package (includes: strap, screw and washer)
4	4720C3928	Table leg cap
5	4720A1501	Lock brace package
	1103B101F	Screw x4



REPAIR PARTS



TENT SUPPORT ASSEMBLIES (COMPLETE)

<u>MODEL</u>	<u>FRONT BED</u>	<u>REAR BED</u>	<u>CODE</u>	<u>PART NO.</u>	<u>DESCRIPTION</u>
2870	4747A5731	4747A5731	1	8470-1728	Pole pin, x1 (blue)
2874	4747A5731	4747A5731	2	4734-6708	Spring assy x1
2875	4747A5731	4747A5731	3	4734A6708	Spring assy x1
2876	4747A5731	4747A5731	4	4730B4648	Tube closure x1
2889	4747A6641	4747A5731		4733-4118	Tek screw x1
2896	4747A6641	4747A5731			

<u>Destiny Series</u>	<u>No. of</u>	<u>Color</u>
<u>Drape Pkg</u>	<u>Panels</u>	
2870 Roanoke	4748C6531 4	Periwrinkle blue
2874 Cedar MT	4724D83671 4	Periwrinkle blue
2875 Cedar	4748C6531 4	Periwrinkle blue
2876 Cedar XL	4751-6451 4	Periwrinkle blue
2889 Royale	4724E8371 4	Periwrinkle blue
2896 Rio Grande	4751A5441 4	Periwrinkle blue

Component Parts

4750-2891 Drape Tab C-Shape M60

DRAPE TIE PKG (Qty 1)

4716B8831 Periwrinkle blue tieback "All Destiny"

SINGLE DRAPE PANEL W/SAFETY STRAP

4716D2211 Periwrinkle blue w/c-clips (all)

VALANCE PACKAGE WITH C-CLIPS

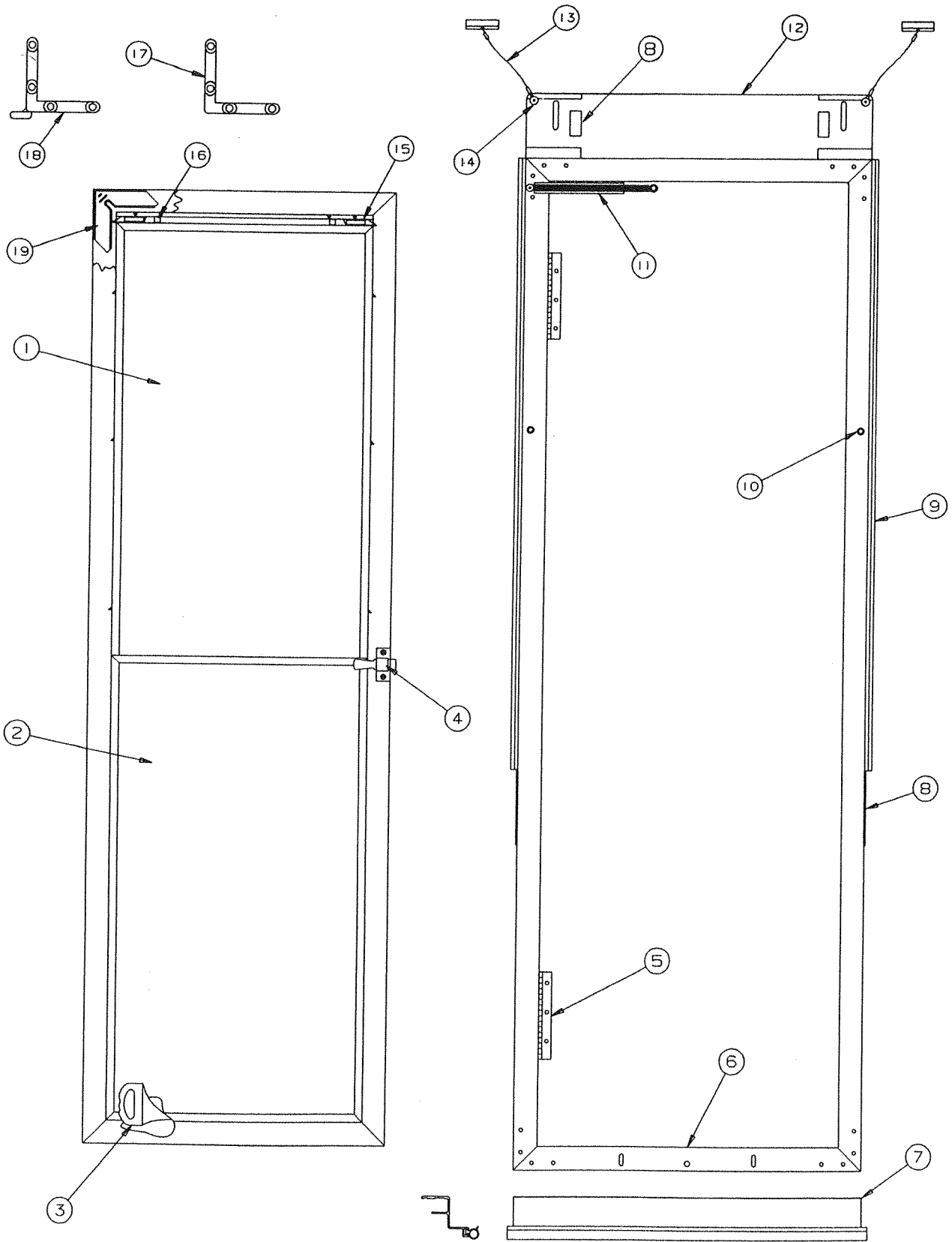
2870, 2875 4716B7701 1 small, 1 large valance

2876, 2889 4716B7711 1 small, 1 large valance

2896 4716B7721 1 small, 1 large valance

NOTE: Valance package not used on 2874 Cedar MT.

1994 DESTINY SERIES



REPAIR PARTS

SCREEN DOOR AND JAMB ASSEMBLIES

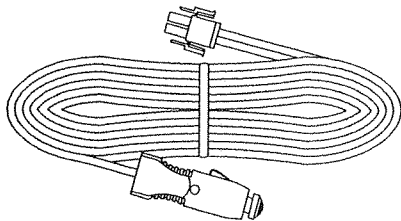
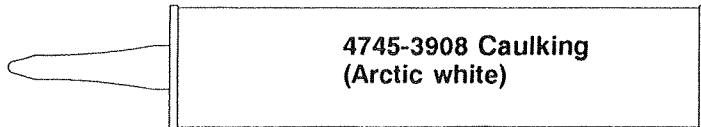
4747F5371 Screen door assembly (all)

NOTE: Screen door assembly complete less door latch assembly (Code 4)

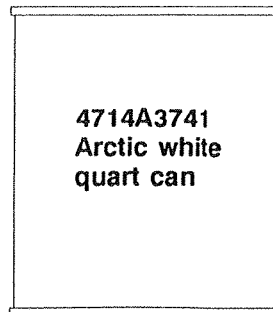
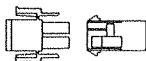
4716E5371 Screen door jamb assembly (all)

SCREEN DOOR & JAMB COMPONENT PARTS

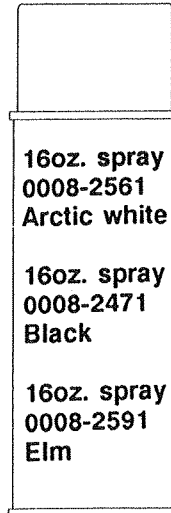
CODE	PART NO.	DESCRIPTION
1	4716-3401	Top sliding window pane
2	4716-3411	Bottom sliding window pane
3	4750-3591	Rubber seal 18" length
4	4742-9671	Door latch assembly
5	4720C3601	Hinge x2
	1203-8631	Rivet, M50
6	4710H40981	Bottom lintel (unpainted)
	1203-8631	Rivet, M50
7	4747A5621	Screen door support
	4060000399F	Rubber seal (sold/foot)
8	4350000005F	Velcro hook (sold/yard)
9	4747-4501	Door seal (plastic)
	1203-8651	Rivet x2, M50
	1203-8641	Rivet x8, M50
10	4730A3548	Stud w/screw x2
11	4731A8201	Spring package
NOTE: Spring package includes rivets x2, spring, transparent tube		
12	4749A8451	Top bracket
	1203-8651	Rivet x6 M50
13	4734D5211	Cable assembly x2, M6
14	1203-8831	Rivet, M25 x1
	4733-3398	Plastic spacer x1
	1202B0268	Washer x1
15	4710-382	Window lock "right"
	4710-383	Spring
	1203-8558	Rivet x2
16	4710-381	Window lock "left"
17	4710-380	Corner brace
18	4710-3791	Corner brace hinge, M2
19	4715-317	Corner support gusset x2 per corner



4733C6701
Auto extension



4714A3741
Arctic white
quart can

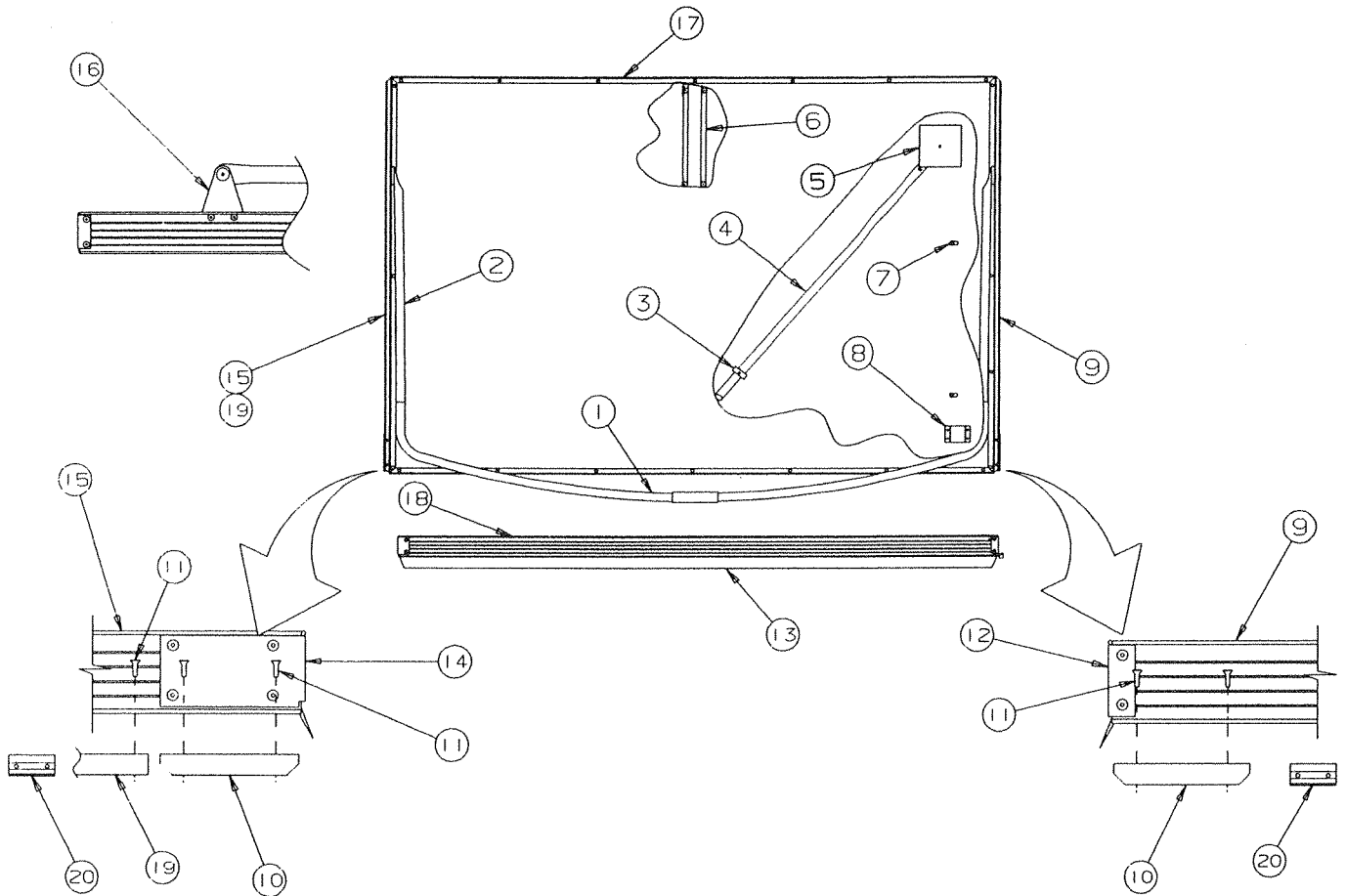


16oz. spray
0008-2561
Arctic white

16oz. spray
0008-2471
Black

16oz. spray
0008-2591
Elm

1994 DESTINY SERIES



REAR BED ASSEMBLY (4747B5481) COMPLETE
used on 2870, 2874, 2875, 2889

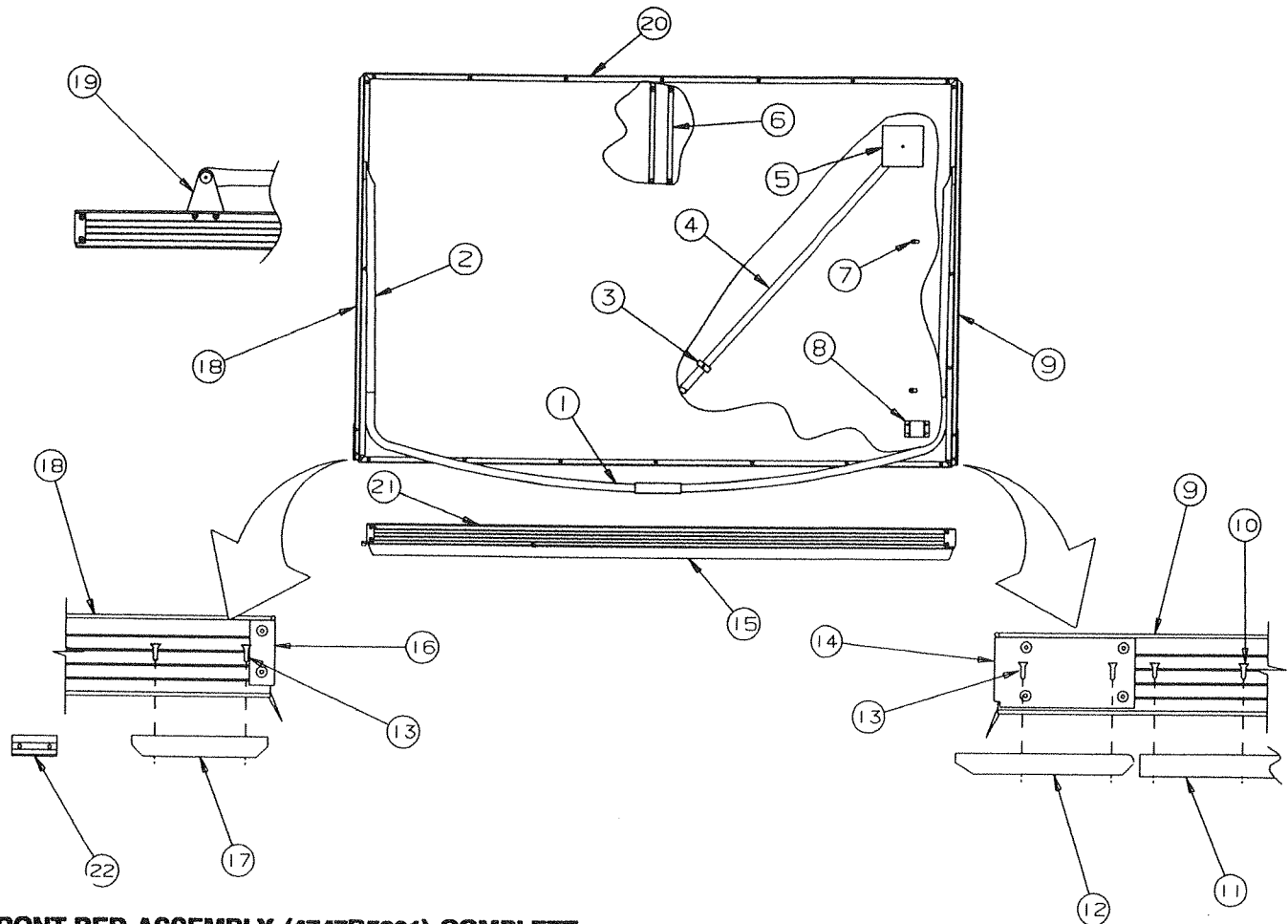
REAR BED ASSEMBLY (4751A50881) COMPLETE
used on 2876

REAR BED ASSEMBLY (4751A5081) COMPLETE
used on 2896 Rio Grande

CODE	PART NO.	DESCRIPTION
1	4737F2631	Upper tent bow assembly
2	4737F2641	Lower tent support x2
	4733-4118	Tek screw x1
3	4720C0771	Bed leg support clip x2, M4
	1203-8831	Rivet x2, M25
4	4734E5881	Bed leg assembly x2 (all)
5	4737A4178	Support plate x2
6	4747A116	Bed channel
	1203-8741	Rivet x10, M25
7	4720D4021	Lashing hook, M6
	1203-8741	Rivet, M25
8	4749-4891	Bed stop x1
	1203C8721	Rivet x4, M25
9	4747-3231	Side bed rail (alum.) (all)
10	4747B3691	Bed slide x2 (plastic) (all)

11	1034B08088	Screw x2 (per bed slide)
12	4747A3221	Bed angle x3
	1203-8641	Rivet, M50
13	4060400339F	Bed seal (sold/foot)
14	4749A4901	Reinforcement angle x1
	1203-8978	Countersunk rivet
	1203-8641	Rivet, M50
15	4749-8171	Side bed rail (2870, 2874, 2875, 2889)
	4751-0541	Side bed rail (2876, 2896)
16	4720G5631	Bow bracket x2
	4716-078	Screw x2
	4733-4118	Tek screw x2
17	4747A3241	Bed rail rear (all)
18	4749-8161	Bed rail front (all)
19	4751-0551	Plastic bed slide 2896 only
20	4747B4061	Bed stop (located on body rail)
	4716-081	Screw x2

REPAIR PARTS

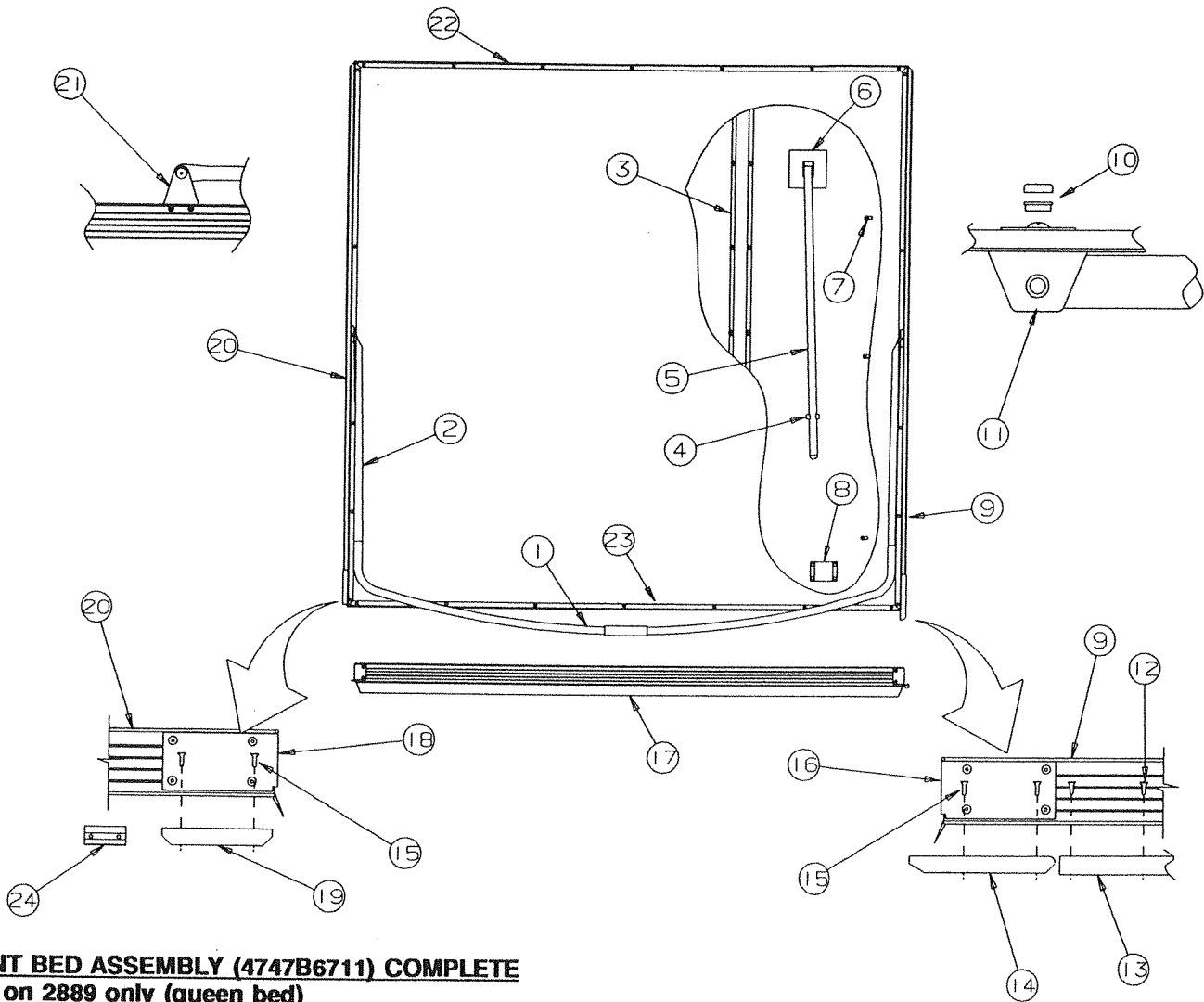


FRONT BED ASSEMBLY (4747B5201) COMPLETE
used on 2870, 2874, 2875 only

FRONT BED ASSEMBLY (4751-6441) COMPLETE
used on 2876

CODE	PART NO.	DESCRIPTION
1	4737F2631	Upper tent bow assembly
2	4737F2641	Lower tent support x2
	4733-4118	Tek screw x1
3	4720C0771	Bed leg support clip x2, M4
	1203-8831	Rivet x2, M25
4	4750-6171	Bed leg assembly, 2870, 2874, 2875
	4751-6521	Bed leg assembly, 2876
5	4737A4178	Support plate x2
6	4747A116	Bed channel
	1203-8741	Rivet x10, M25
7	4720D4021	Lashing hook, M6
	1203-8741	Rivet, M25
8	4749-4891	Bed stop x1
	1203C8721	Rivet x4, M25
9	4749-8151	Side bed rail (alum.)
10	4749-4118	Screw
11	4749-8061	Plastic bed slide
12	4747B4051	Bed slide (plastic)
13	1034B08088	Screw x2 (per bed slide)
14	4749A4871	Reinforcement angle x1
	1203-8978	Countersunk rivet
	1203-8641	Rivet, M50
15	4060400339F	Bed seal (sold/foot)
16	4747A3221	Bed angle x3
	1203-8641	Rivet, M50
17	4747B3691	Bed slide (plastic)
18	4747-3231	Side bed rail (alum.)
19	4720G5631	Bow bracket x2
	4716-078	Screw x2
	4733-4118	Tek screw x2
20	4747A3241	Bed rail rear
21	4749-8161	Bed rail front
22	4747B4061	Bed stop (located on body rail)
	4716-081	Screw x2

1994 DESTINY SERIES



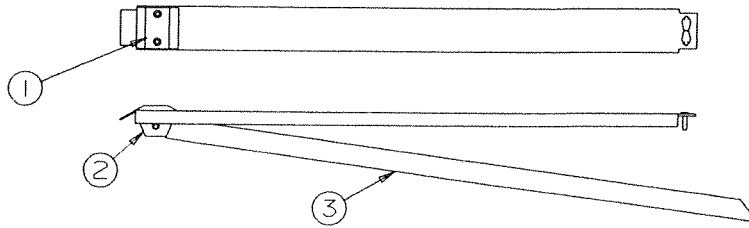
FRONT BED ASSEMBLY (4747B6711) COMPLETE
used on 2889 only (queen bed)

FRONT BED ASSEMBLY (4751-5071) COMPLETE
used on 2896 - Rio Grande (queen bed)

CODE	PART NO.	DESCRIPTION
1	4737F2631	Upper tent bow assembly
2	4737F2641	Lower tent support x2
	4733-4118	Tek screw x1
3	4747-978	Bed channel x2
	1203C8721	Rivet x10 per channel, M25
4	4720C0771	Bed leg support clip x2 M4
	1203-8831	Rivet x2, M25
5	4734E5881	Bed leg assembly x2 (2889 only)
	4748-6581	Bed leg assembly x2 (2896 only)
6	4737A4178	Support plate x2
7	4720D4021	Lashing hook, M6
	1203-8741	Rivet, M25
8	4749-4891	Bed stop x1
	1203C8721	Rivet x4, M25
9	4747-9911	Side bed rail (curbside)
10	4739C2908	Screw cap x2
	4739-2918	plastic washer x2
	4716-074	Screw x2
	1202B2528	Washer x2

11	4734A5141	Bed leg bracket
	4720A2361	Rod & pal nuts
12	4749-4118	Screw
13	4749-8341	Plastic bed slide
14	4747B4051	Bed slide (plastic)
15	1034B08088	Screw x2
16	4749A4871	Reinforcement angle
	1203-8978	Countersunk rivet
	1203-8641	Rivet, M50
17	4060400339F	Bed seal
18	4749A4901	Reinforcement angle
19	4747B3691	Bed slide (plastic)
20	4749-8331	Side bed rail (roadside)
21	4720G5631	Bow bracket x2
	4716-078	Screw x2
	4733-4118	Tek screw x2
22	4749-8321	Rear bed rail
23	4749-8311	Front bed rail
24	4747B4061	Bed stop (located on body rail)
	4716-081	Screw x2

REPAIR PARTS



BED SUPPORT ASSEMBLY 2889 - ROYALE ONLY (4747A6991)

CODE	PART NO.	DESCRIPTION
1	4716-8291	Plastic pad
	1203-8978	Rivet x2
2	4734A5141	Bed support bracket
	4720A2361	Rod & pal nuts
3	4751-125	Bed support leg

DESTINY SERIES MATTRESS ASSEMBLIES & COVERS

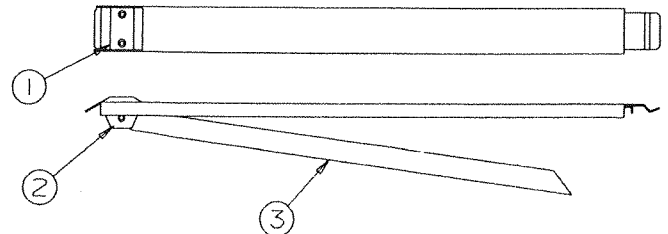
Destiny Series	FRONT MATTRESS		REAR MATTRESS	
	Assembly	Cover	Assembly	Cover
2870 Roanoke	4749D6361	4716D6361	4749D6361	4716D6361
2874 Cedar MT	4749D6361	4716D6361	4749D6361	4716D6361
2875 Cedar	4749D6361	4716D6361	4749D6361	4716D6361
2876 Cedar XL	4749D6361	4716D6361	4749D6361	4716D6361
2889 Royale	4747E6691	4716E6691	4749D6361	4716D6361
2896 Rio Grande	4747E6691	4716E6691	4749D6361	4716D6361

REFERENCE DIMENSIONS

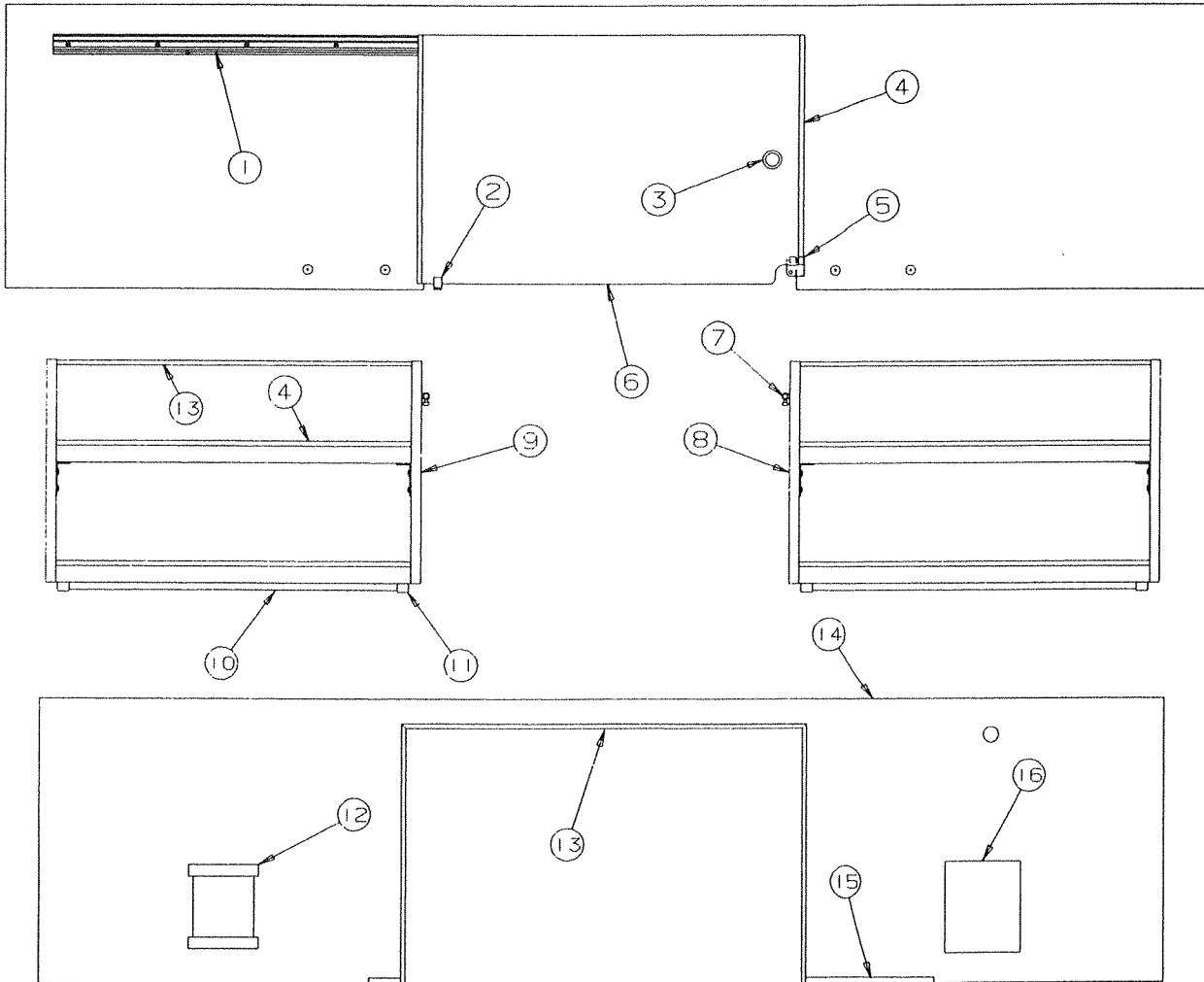
Model	Front	Rear
2870 Roanoke	71 x 47 x 3	71 x 47 x 3
2874 Cedar MT	71 x 47 x 3	71 x 47 x 3
2875 Cedar	71 x 47 x 3	71 x 47 x 3
2876 Cedar XL	71 x 47 x 3	71 x 47 x 3
2889 Royale	72 x 71 x 3	71 x 47 x 3
2896 Rio Grande	72 x 71 x 3	71 x 47 x 3

BED SUPPORT ASSEMBLY, 2896 RIO GRANDE (4751B5351)

CODE	PART NO.	DESCRIPTION
1	4716-8291	Plastic pad
	1203-8978	Rivet
2	4734A5141	Bed support bracket
	4720A2361	Rod & pal nut
3	4751-125	Bed support legs



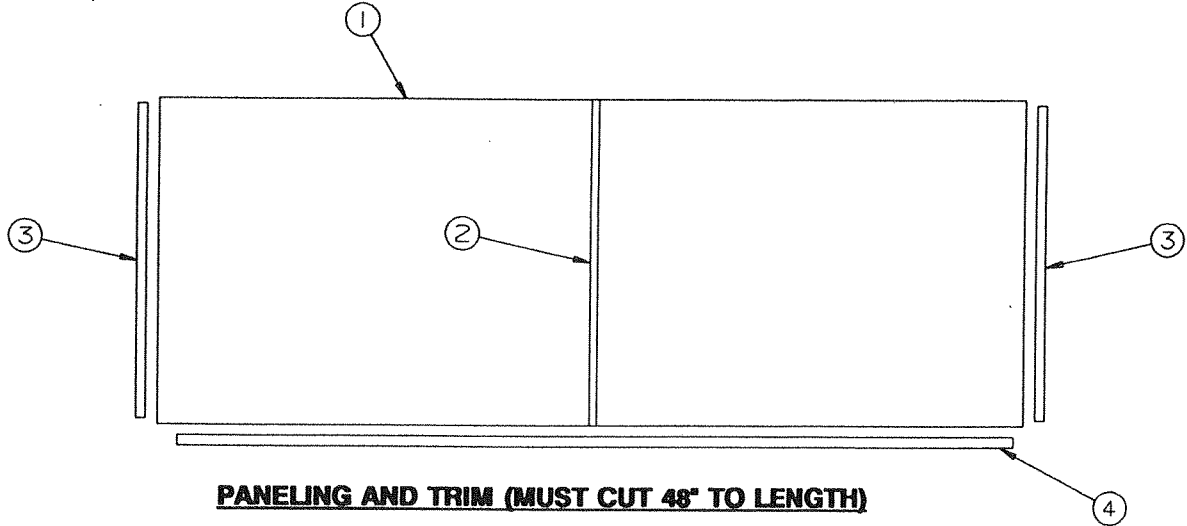
1994 DESTINY SERIES



2896 RIO GRANDE - SLIDING PANTRY COMPONENT PARTS
2876 CEDAR XL - SLIDING DOOR COMPONENT PARTS

CODE	PART NO.	DESCRIPTION
1	4716-4021	Door slide track, 48" pc.
2	4060000079	Door track (sold/foot)
3	4750-0771	Ring door pull
4	4716-4031	U-Channel "elm" 48" pc.
5	4751-0901	Sliding door catch
	4716-075	Screw x2
6	4751-0871	Sliding door panel 2896
	4751B0871	Sliding door panel 2876
7	4749A288	Slide bolt
8	4751-5251	Sliding pantry assembly (complete)
9	4751-5221	Sliding pantry assembly (complete)
10	4751-0931	Metal slide track
	4350000295F	Double stick tape
	4716-075	Screw x4
11	4710-2681	Button x4, M5
	1034B1612	Screw x4
12	4350000005F	Velcro hook
13	4751-1151	5/32 U-Channel 26 5/16" pc.
14	4714E4501	Universal wall panel (48 x 18 1/16)
15	4714E2931	Toe molding M2
16	4751-5361	Hole cover assembly x2

REPAIR PARTS



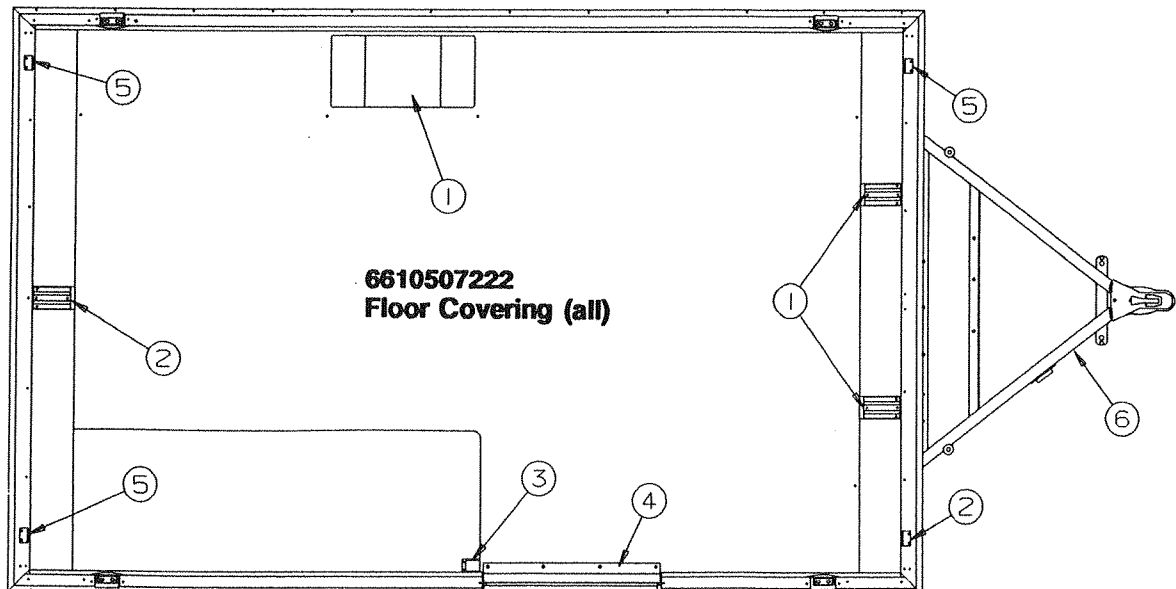
PANELING AND TRIM (MUST CUT 48" TO LENGTH)

CODE	PART NO.	DESCRIPTION
1	4714F4501	Universal wall panel (48 x 18 1/16) Greenbriar oak
2	4714F2911	Corner Divider (Greenbriar oak), M5 17 5/8"
3	4714F2921	Panel divider (Greenbriar oak) M5, 17 5/8"
4	4714E2931	Toe molding (Elm) M2, 48" lengths

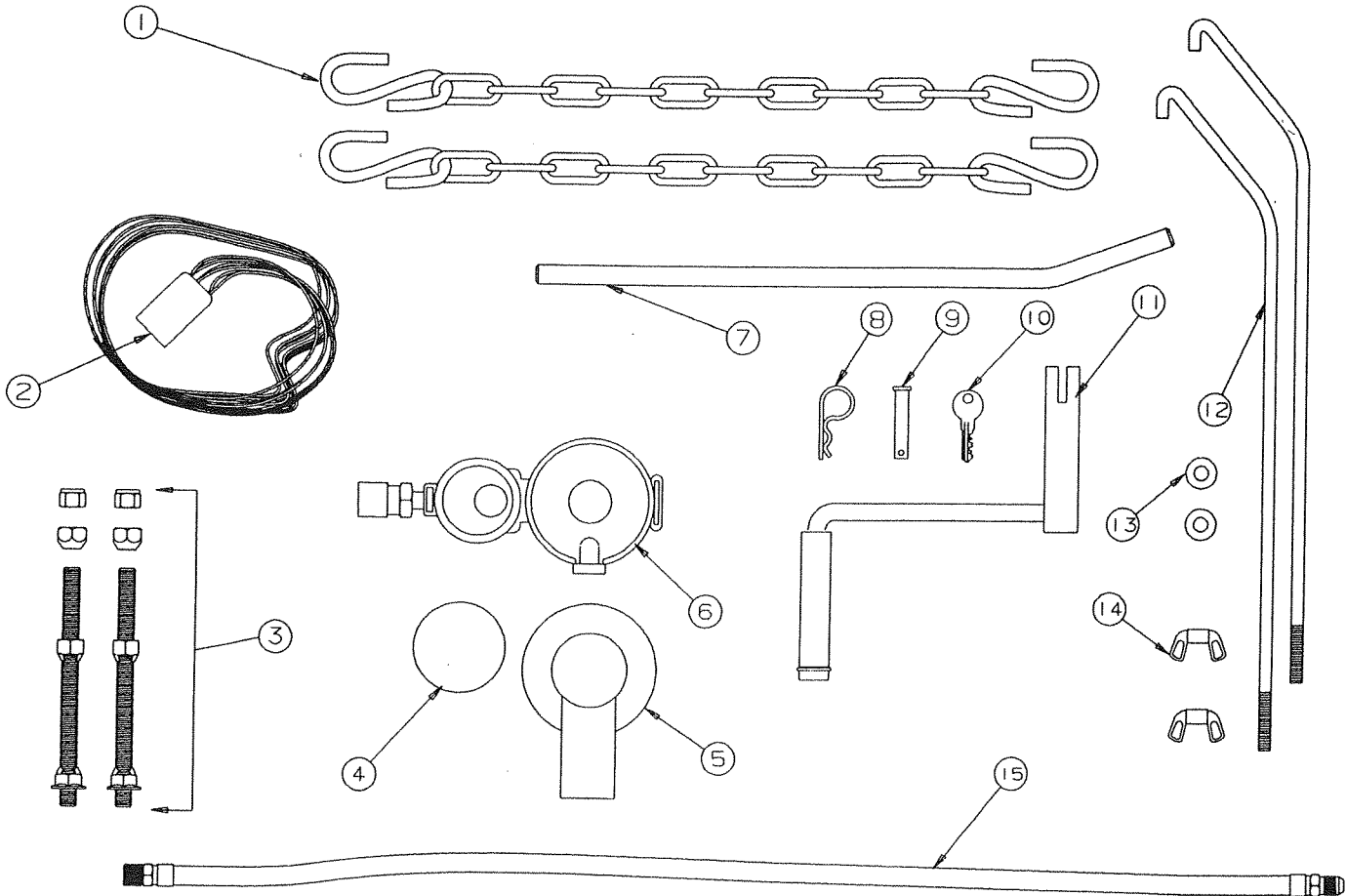
INTERIOR MISCELLANEOUS PARTS

CODE	PART. NO.	DESCRIPTION
1	4747A4161	Wheel well x2
2	4747B5841	Bed guide slide
3	4747A4781	Bed slide wedge
4	4747A5621	Screen door support Screw x4
	4716-069	

	4060000399F	Rubber seal
5	4749A4731	Bed stop
6	See Page 2 for frame details	



1994 DESTINY SERIES



PARTS PACKAGE (COMPLETE) "DESTINY SERIES"

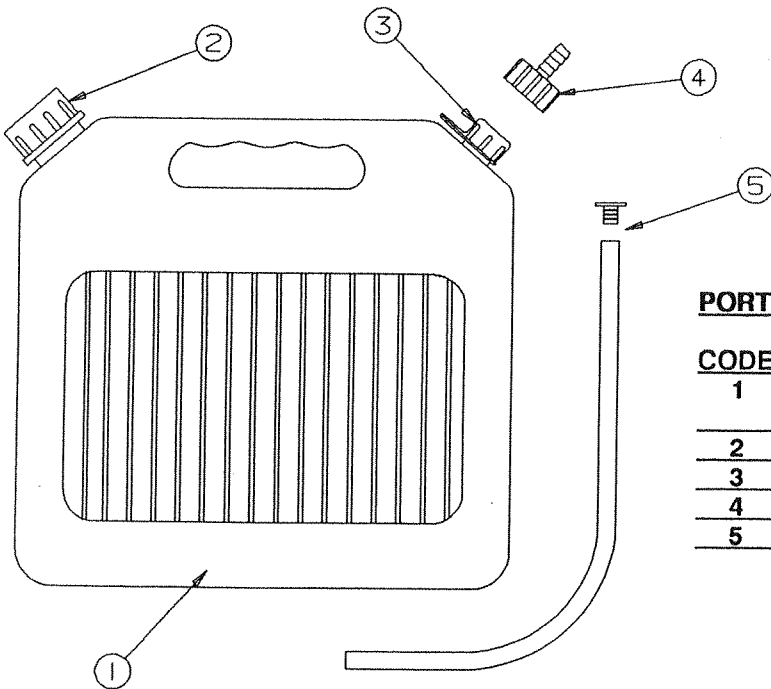
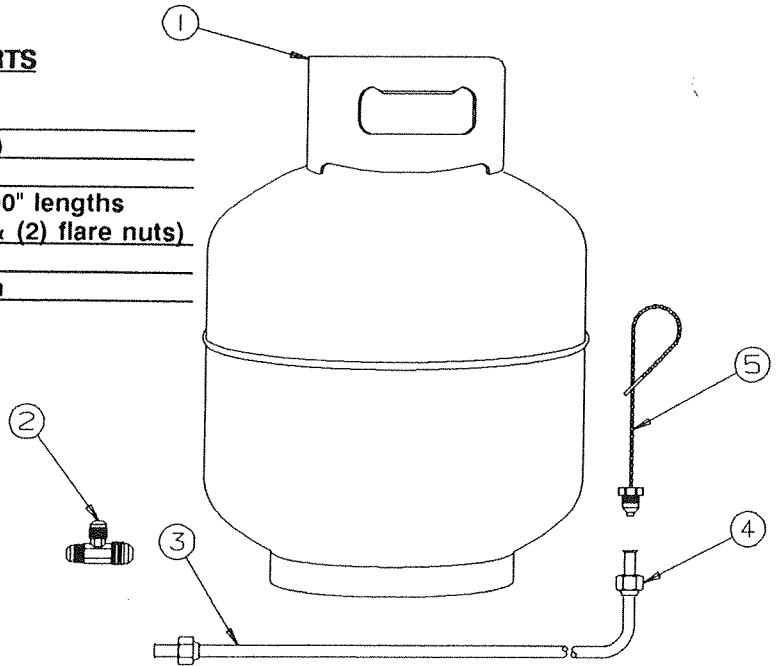
- 4747D5871 PARTS PACKAGE, 2870, 2875**
- 4747D58771 PARTS PACKAGE, 2874**
- 4751-6331 PARTS PACKAGE, 2876**
- 4747D58781 PARTS PACKAGE, 2889**
- 4751A5371 PARTS PACKAGE, 2896**

CODE	PART NO.	DESCRIPTION
1	4720D3031	Safety chain M2 (all except 2896)
	4749-9601	Safety chain (2896 only) "1 per pkg"
2	4735D6691	Pigtail, 2870, 2874, 2875
	4735E6741	Pigtail, 2889, 2896, 2876
3	4747-5891	Spare tire mount 2870, 2874, 2875, 2889
4	4751-9571	Round regulator cover
5	4734C3781	Regulator cover w/vent outlet
6	4739B1291	Regulator w/POL adapter - less cover
7	4749-1861	Stabilizer handle (all)
8	4732A4791	Safety pin, M10 (all)
9	4771-2631	Hitch pin, M5 (all)
10	4730A3211	Key, M10 (all)
11	4747D4141	Crank handle (all)
12	4733F6281	Gas bottle mounting bracket package (includes wing nuts & washers)
13	1202B0468	Washer x3
14	1201-6258	Wing nut x2
15	4733A3991	Gas hose (all)

REPAIR PARTS

DESTINY SERIES GAS SYSTEM & RELATED PARTS

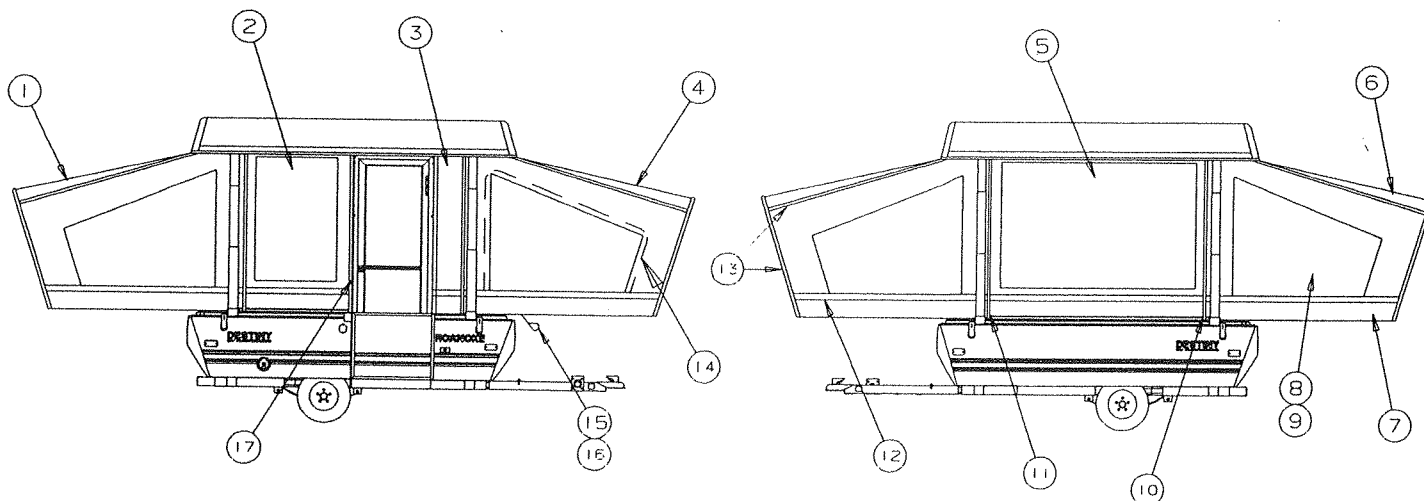
CODE	PART NO.	DESCRIPTION
1	4720J5928	Gas bottle (arctic white)
2	1215-1778	3/8" Tee
3	4714-0711	3/8" Copper gas line 100" lengths (includes: (1) bushing & (2) flare nuts)
4	1215-2418	Flare nut 3/8"
5	4733A3888	3/8" Plastic cap & chain



PORTABLE WATER SYSTEM

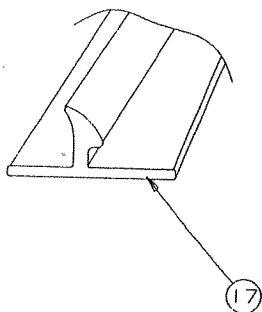
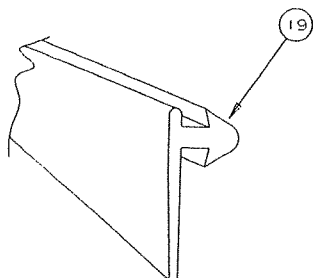
CODE	PART NO.	DESCRIPTION
1	4735-2131	Water tank (complete) (5 gallon)
	4735C0988	Water decal
2	4714-0231	Large white cap
3	4714-0221	Small cap w/tie-on
4	4714-0241	Barb stem & collar
5	4714A0671	Suction stem

1994 DESTINY SERIES

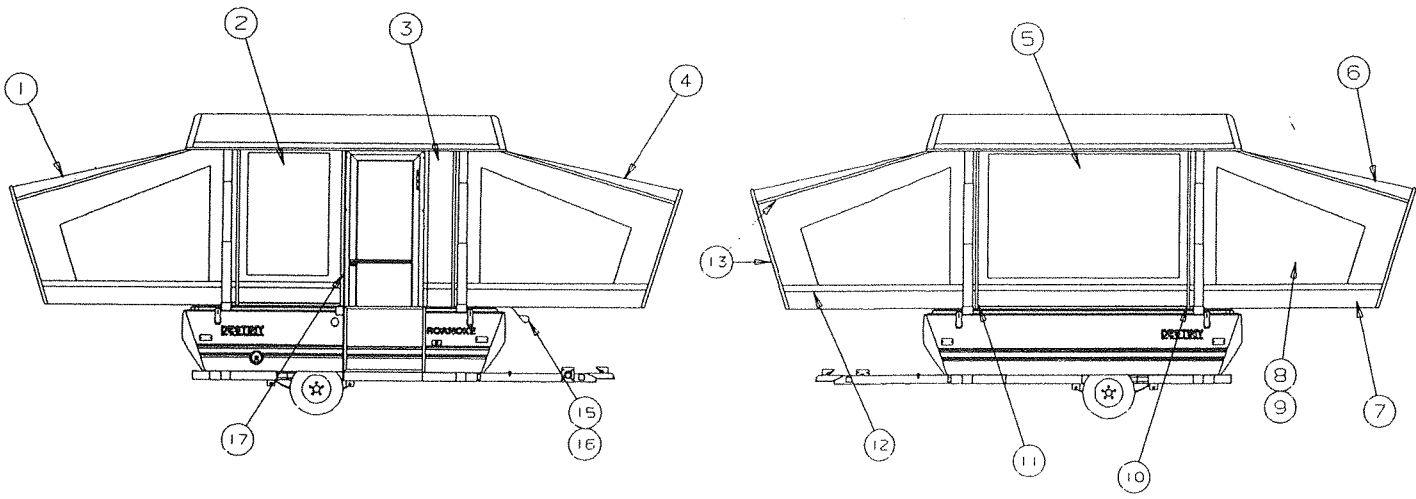


EVOLUTION III ASSEMBLIES & COMPONENTS

CODE	PART NO.	DESCRIPTION
1	4747B65351	Rear boot, 2870, 2874, 2875, 2889, 2896
	4751-64651	Rear boot, 2876
2	4747B65251	Small window, 2870, 2874, 2875
	4751-64751	Small window, 2876
	4747B66751	Small window, 2889
	4751-52951	Small window, 2896
3	4748-66351	Door seal, 2870, 2874, 2875
		Door seal, 2876 <u>not used</u>
	4748-66451	Door seal, 2889
	4751-53351	Door seal, 2896
4	4747B65351	Front boot, 2870, 2874, 2875, 2876
	4747B66851	Front boot, 2889, 2896
5	4747B65051	Large window, 2870, 2874, 2875, 2876
	4747B66651	Large window, 2889, 2896
6	8119901429	Top vinyl, (grey/with warm grey back)
7	8118001432	Bottom vinyl (pacific blue)
8	4714E1611	Screen package (84" x 3 yds)
	4714A0361	Screen package (84" x 13 yds)
9	4716-2401	Clear window vinyl (41" x 2 yds)
10	4735A6721	Extension harness (wire & plugs)
11	1225-3658	Zipper pin half (grey) 52"
	1225-3668	Zipper slider half (grey) 52"
12	8110300101	Yellow 3" accent strip
13	8160000320F	Bias binding (grey)
14	6650500130F	Zipper (grey) around windows (sold/yd)
	1225-4461	Zipper pull, M5 (grey) around windows
15	4060000045F	1/4" Shock cord (sold/foot)
	4714B6021	Shock cord & crimps M2, 14' lengths
	4724-2011	Shock cord crimps, M10
16	1226-1228	Brass grommet w/teeth (round)
17	4060100056F	Door seal extrusion - rubber (sold/ft)
18	4716A0851	Evolution patch pkg (12" x 14")
	4716-3301	Evolution package (54" x 2 yds)
19	4060000024F	Arrowhead seal (sold/foot)
20	4743-1588	K Kote seam sealer (not shown)
21	4728-5641	Tent retainer package, M4 (not shown)

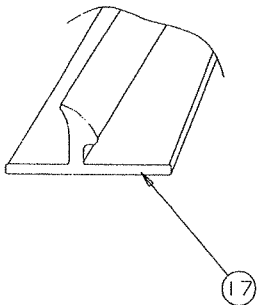
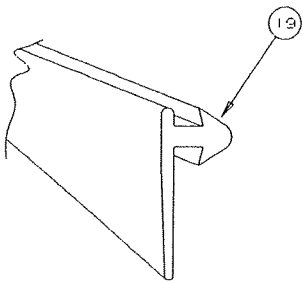


REPAIR PARTS



SUNBRELLA TENTING ASSEMBLIES & COMPONENTS

CODE	PART NO.	DESCRIPTION
1	4747B65391	Rear boot, 2870, 2875, 2889, 2896
	4751-64691	Rear boot, 2876
2	4747B65291	Small window, 2870, 2875
	4751-64791	Small window, 2876
	4747B66791	Small window, 2889
	4751-52991	Small window, 2896
3	4748-66391	Door seal, 2870, 2875
		Door seal, 2876 <u>not used</u>
	4748-66491	Door seal, 2889
	4751-53391	Door seal, 2896
4	4747B65391	Front boot, 2870, 2875, 2876
	4747B66891	Front boot, 2889, 2896
5	4747B65091	Large window, 2870, 2875, 2876
	4747B66691	Large window, 2889, 2896
6	8119901429	Top vinyl, (grey/with warm grey back)
7	8118001432	Bottom vinyl (pacific blue)
8	4714E1611	Screen package (84" x 3 yds)
	4714A0361	Screen package (84" x 13 yds)
9	4716-2401	Clear window vinyl (41" x 2 yds)
10	4735A6721	Extension harness (wire & plugs)
11	1225-3658	Zipper pin half (grey) 52"
	1225-3668	Zipper slider half (grey) 52"
12	8110300101	Yellow 3" accent strip
13	4723-818	3" Acrylic binding "grey" (sold/yd)
14	6650500130F	Zipper (grey) around windows (sold/yd)
	1225-4461	Zipper pull, M5 (grey) around windows
15	4060000045F	1/4" Shock cord (sold/foot)
	4714B6021	Shock cord & crimps M2, 14' lengths
	4724-2011	Shock cord crimps, M10
16	1226-1228	Brass grommet w/teeth (round)
17	4060100056F	Door seal extrusion - rubber (sold/ft)
18	4716C0851	Sunbrella patch package (12"x14")
19	4060000024F	Arrowhead seal (sold/foot)
20	4743-1588	K Kote seam sealer (<u>not shown</u>)
21	4728-5641	Tent retainer package, M4 (<u>not shown</u>)



1994 DESTINY SERIES

DESTINY SERIES TOP ASSEMBLIES (ARCTIC WHITE)

4716U9701 - Top assembly Roanoke, Cedar, Cedar XL
 4716U9891 - Top assembly Royale, Rio Grande
 4747D52471 - Top assembly Cedar MT

CODE	PART NO.	DESCRIPTION
1	4747B1101	Top corner (right front/left rear)
	4745-3968	Screw x6 (arctic white)
	4350000058F	Saturated foam tape
2	4747B1091	Top corner (left front/right rear)
3	4728D20881	Canopy track (all) (must cut to size)
	4745-3968	Screw (arctic white)
4	4741B2319	Center seam
	4060400096F	Vinyl screw cover
	4741-3508	Hex head screw
	4350000058F	Saturated foam tape
5	4741E21381	Top seal extrusion (front/rear) (all)
6	4715C2091	Top strike x4, M4
	4744A2461	Screw x2 arctic white, M2
	1201B6958	Nut x2
7	4741F11381	Tent support bracket x2
	4741C9368	Screw x2 per bracket (warm grey)
8	4737F5911	Dome light
	4714F0891	Dome light lens
	1103B1028	Screw x4
9	4737-3211	Rubber button x2, M8
10	4733G47181	Screen door track x2
	4744A4611	Expansion rivet, M25
	1203-9258	Plastic accordion rivet
11	4749A5571	Screen door bracket
	4741C96568	Expansion rivet x3 (warm grey)
	4749-2138	Snap button
	1203-8631	Rivet x1, M50
12	4734D5211	Screen door cable, M6
13	4730A3548	Stud w/screw x2
14	4723A5061	Safety strap x2
15	1203-9258	Plastic accordion rivet x4
16	4741H18681	Side cove x2 (all) (must cut to length)
	4741C96568	Expansion rivet (warm grey)
17	4350400003F	Vinyl tape (blue mist)
18	4741G21481	Cove, front/rear (all)
	4741C96568	Expansion rivet
19	4741C1891	Evolution & valance track (sold/9 ft pc)
	1103E1018	Stainless steel screw
20	4741D1031	Evolution track (front/rear)
	1103E1018	Stainless steel screw
21	4747D5521	Lift pocket cover x4
	4741D3558	Hole plug (x2 per lift pocket)
	4350000005F	Velcro hook (sold/yard)
22	4741B5431	Lift pocket x4
	1201B6378	Lock nut (x2 per pocket) (to hold lift in place)
23	4750-2978	Latch x2
	1203-8951	Rivet x2, M25
24	4350000005F	Velcro hook (grey) (sold/yard)
25	4060000399F	Rubber top seal (sold/foot)

REPAIR PARTS

