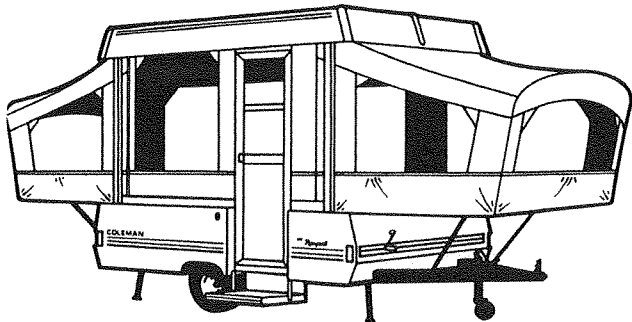
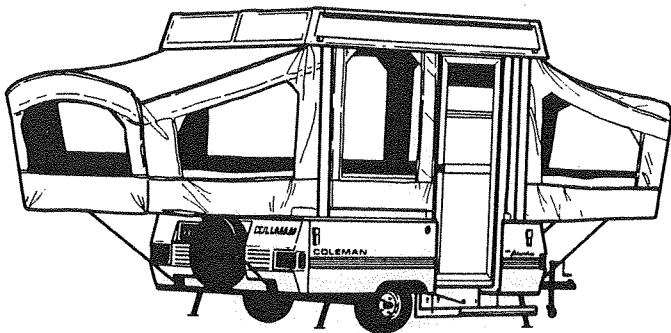


**CHESAPEAKE<sup>®</sup>**  
**2593**



**NEWPORT<sup>®</sup>**  
**2585**



**COLUMBIA<sup>™</sup>**  
**2567**

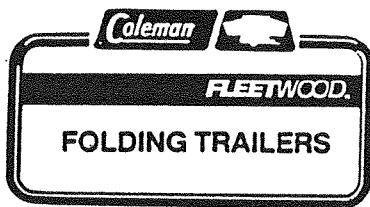
**FLEETWOOD**

FOLDING TRAILERS

**1991**  
**PIONEER**  
*SERIES*

**Repair Parts**  
**List**





# PIONEER 1991 REPAIR PARTS



**1991 MODELS**

Note:

<u>Model</u>	<u>Size</u>	<u>B/M (Blind)</u>	<u>Body color</u>	<u>Colonial White</u>
<b>Pioneer Series</b>				
2567 Columbia	7'	4735G767	Top color	Colonial White
2585 Newport	9'	4735H785	Woodgrain	Classic Oak
2593 Chesapeake	11'	4735H793	Countertop	Gray Linen
			Tent	Canvas - Tan
				Vinyl Outside - White
				Vinyl Inside - White
				Evolution - Grey
				Vinyl Outside - Pewter
				Vinyl Inside - White

**When ordering repair parts, please note:**

To expedite your repair orders, please order by Fleetwood part number and the description shown in this parts catalog. If unable to find the part in this catalog, please state the model number and serial number (if known) of the trailer; describe the part; state where it is used; and, if necessary, state if on curbside, roadside, front or rear of trailer.

**Symbols used in this catalog:**

"x2" - Items showing "x2", etc., indicate they are used times two on the assembly. They are sold one to a package.

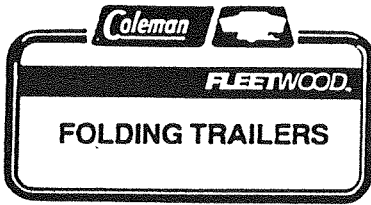
"M4" - Items marked "M4", etc., indicate they are packed four to a package and are shipped only in packages of four. They are priced per unit. When ordering, please specify the total quantity you require - not the number of packages.

Note: All seven digit numbers are not necessarily sales stock items and may take slightly longer to obtain from the factory.

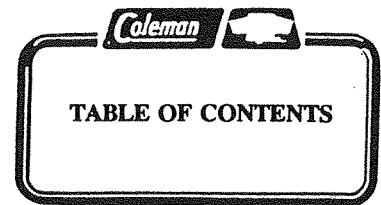
Note: Cushion/Backrest and Mattress assemblies are not a stock item. May take slightly longer to receive.

**Minimum Order Requirements**

Minimum order requirements for parts and/or accessories is \$25. Orders for less than \$25 will be assessed a \$5 handling charge.



# PIONEER 1991 REPAIR PARTS



DESCRIPTION	PAGE NUMBER	DESCRIPTION	PAGE NUMBER
Access door assembly . . . . .	13	Seat fronts (wood with/without door)	27, 28
Access door light . . . . .	13	Seat frame assemblies . . . . .	27, 28
Axle assemblies . . . . .	7	Sink . . . . .	22
Axle beam . . . . .	7	Spare tire carrier (molded) . . . . .	3
Backrest assembly and covers . . . . .	27	Spare tire mount (bulkhead assy) . . . . .	3
Bed assembly (expanda bed, 2567) . . . . .	15	Spring attachments . . . . .	7
Bed extensions . . . . .	16	Stabilizer handle . . . . .	3, 13
Bed extension component parts . . . . .	17	Stabilizer assembly . . . . .	3
Bed assemblies . . . . .	16	Stove & component parts (up galley) . . . . .	21, 21
Body panel front assembly . . . . .	9	Table assemblies & components . . . . .	24
Body panel rear assembly . . . . .	10	Tent support assembly . . . . .	20
Body panel right rear (curbside) . . . . .	11	Thrust nut . . . . .	6
Body panel right front (curbside) . . . . .	12	Tire & Rim . . . . .	3
Body panel left side (roadside) . . . . .	14	Tongue jack assembly . . . . .	3
Canvas assemblies . . . . .	18	Top assemblies . . . . .	31, 32
Converter . . . . .	24	Upper galley tops . . . . .	22
Converter cabinet assembly . . . . .	24	Upper galley assemblies . . . . .	21
Cooler . . . . .	4	Water Bottle, Portable . . . . .	29
Coupler assembly . . . . .	3	Water pump . . . . .	21, 22
Crank and sprocket assembly . . . . .	5	Wheel well assembly . . . . .	3
Crank handle . . . . .	3, 13	Whiffletree extensions . . . . .	5
Curtains . . . . .	18	Whiffletree assembly . . . . .	5
Cushion assembly and covers . . . . .	27	Wire harness (trailer front) . . . . .	3
Drain hose (used on sink assembly) . . . . .	22		
Electric brakes . . . . .	8		
Evolution III assemblies . . . . .	19		
Fire extinguisher . . . . .	29		
Furnaces . . . . .	2		
Gas systems . . . . .	29		
Grease seals (used in hub assembly) . . . . .	7		
Guide channel . . . . .	3, 6		
Hub assemblies . . . . .	7		
Hub cap (not standard equipment) . . . . .	3		
Hutch assembly, 2593 . . . . .	26		
Hutch assembly, 2585 . . . . .	25		
Lift trim & miter covers . . . . .	20		
Lift assembly, right front/left rear . . . . .	3, 5		
Lift assembly, left front/right rear . . . . .	3, 5		
Lower galley assemblies . . . . .	23		
Mattress assemblies (expanda bed 2567) . . . . .	15		
Mattress assemblies . . . . .	17		
Paint (touch up spray) . . . . .	4		
Parts packages . . . . .	4		
Pigtail (car end) . . . . .	3		
Receptacle box (15 AMP) . . . . .	29		
Rivets . . . . .	18		
Rocker switch (turn access door light off and on) . . . . .	29		
Safety chain . . . . .	3		
Screen door cables . . . . .	30, 31, 32		
Screen door assembly . . . . .	30		
Sealants . . . . .	4		

**HYDRO-FLAME FURNACE - 12,000 BTU**

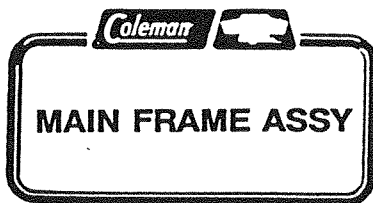
4741A6571 - HydroFlame Furnace  
Vendor # HF8012DF

**HYDRO-FLAME FURNACE - 20,000 BTU**

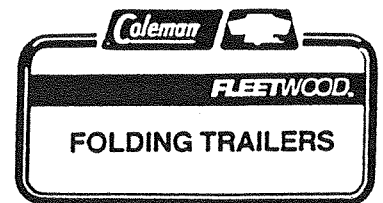
4737A9661 - HydroFlame Furnace  
Vendor # FA7920DF

All warranty service and parts procurement  
for this item will be handled directly by:

Hydro-Flame Corporation  
1874 Pioneer Road  
Salt Lake City, Utah 84014  
Phone: 800/825-4328



# PIONEER 1991 REPAIR PARTS

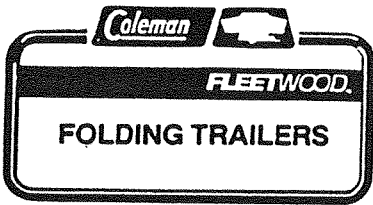


## MAIN FRAME ASSEMBLY

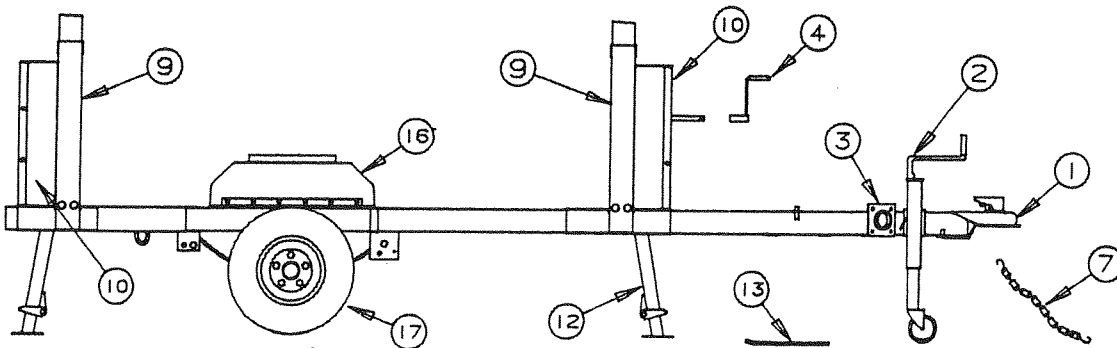
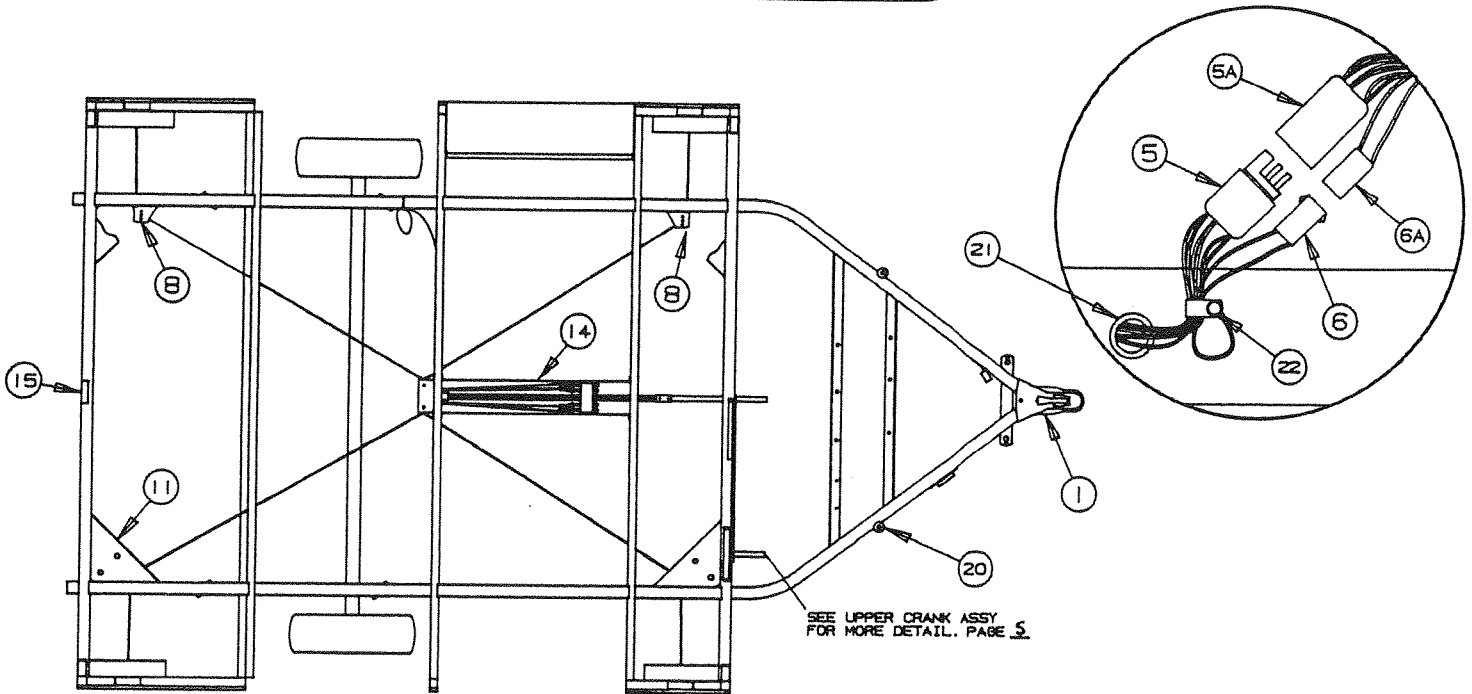
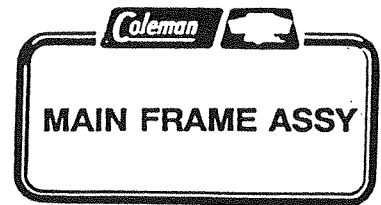
CODE	PART NO.	DESCRIPTION
1	4730A3561	Coupler assy
	4714-2211	Coupler repair kit (release)
	4771-2631	Hitch pin, M5
	4732A4791	Safety pin, M10
2	4720B6661	Tongue jack assy
	4716-6661	Tongue wheel, nut and bolt
	4714-2818	Locking plunger kit
	4714-2821	Tongue jack handle kit, M2
	4720A3341	Snap ring
3	4720A3331	Jack bracket
4	4747B4141	Crank handle
5	4735C6751	Wire harness, 6 pin - CT End
	4714-1991	Wire harness repair kit, M4
5A	4735C6741	Pigtail, M4 - Car End
6	4735A6871	Power harness, 2 pin - CT End
	4734-2388	Wire connector (blue/crimp)
6A	4735A6721	Extension harness - Car End
7	4720D3031	Safety chain M2
8	4732C3678	Adjustable pulley bracket
	4720C1578	Short pin
	4715A5371	Pulley and bearing assy, M10
	1204B1081	Cotter pin, M10
9	4739B6801	Lift assy LF/RR
	4733E5801	Lift assy RF/LR
Refer to page 5 for the component parts of the lift assy.		
10	4733C1541	Corner bulkhead
	1203C8751	Rivet, M25
11	4744-668	Corner gusset
	4749-626	Stabilizer support assy (curbside rear) (2593 only)
	4749-627	Stabilizer support assy (roadside rear) (2593 only)
12	4720D0731	Stabilizer assy (complete)
	4739-2298	Nut(stabilizer assy to gusset)
13	4749-1861	Stabilizer handle, M4
14	4720D2371	Guide channel
	4731-3878	Hex head bolt
	1201B6038	Hex nut
15	4741B560	Spare tire mount bulkhead assy
	4731-3878	Hex bolt
	1201B6038	Hex nut
16	4741A3311	Wheel well assy
17	4741A3988	Tire & rim 8" Goodyear, 2567
	4749-2358	Tire & rim 10" Goodyear, 2567, 2593, 2585
	4747A9528	Lug nut (used on 8" tire only)
	4747-9528	Lug nut
18	4749-3521	Hub cap 2567
	4737E0821	Hub cap 2585, 2593
19	4749-1351	Spare tire carrier 2585, 2593 only
20	4747-8941	Pin cover, M2
21	4741A9548	Plastic bushing (gas line runs through)
22	1201-8738	Clamp x1
	4744-050	Hex head tek screw

Refer to page 4 for drawing details.

Refer to page 7 for axle assemblies and spring details.



# PIONEER 1991 REPAIR PARTS



**PARTS PACKAGES**

4739F6591 Parts package, 2567, 2585, 2593

**OTHER PACKAGES**

4733C6701 Auto extension  
4741A5791 Spare tire mount (Pioneer Series)

**TOUCH-UP PAINT**

16oz. Spray    Quart Can

0008-2471                      Black  
0008A2441                  4714-3741              Col White

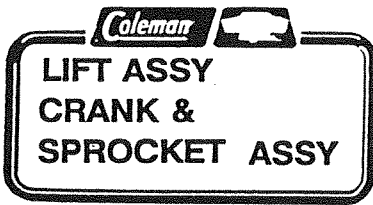
4716-0871                      Col White, 2 oz. container w/brush applicator (for Krystal Kote panels)

**SEALANTS, ETC**

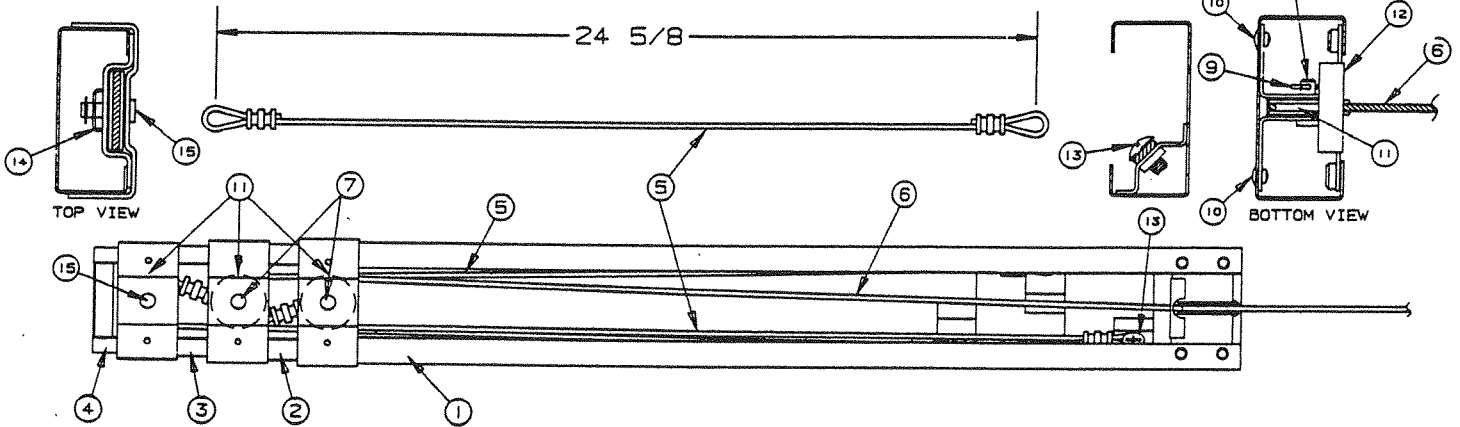
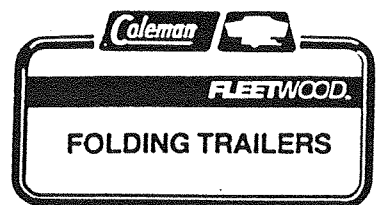
4714-2171                      Dry clean pad, M5  
4737A2838                      Cashmere caulking  
4737B2838                      Colonial white caulking

**PIONEER SERIES COOLER**

5248A866 Lapis Blue, 48 qt - 2567, 2585, 2593



# PIONEER 1991 REPAIR PARTS



### LIFT ASSEMBLIES

- 4739B6801 - Lift assembly  
Left Front/Right Rear
- 4733E5801 - Lift assembly  
Right Front/Left Rear

CODE	PART NO.	DESCRIPTION
1	4720H5151	Stationary lift assy (all)
2	4720F5161	Bottom lift assy (4733E5801)
	4739B6751	Bottom lift assy (4739B6801)
3	4720E5171	Center lift assy (4733E5801)
	4739B6731	Center lift assy (4739B6801)
4	4720E5181	Top lift assy (4733E5801)
	4739B6741	Top lift assy (4739B6801)
5	4720C5271	Cable assy x2, M2 (all) 24 5/8" long
	4720C1691	Steel cable crimp, M20

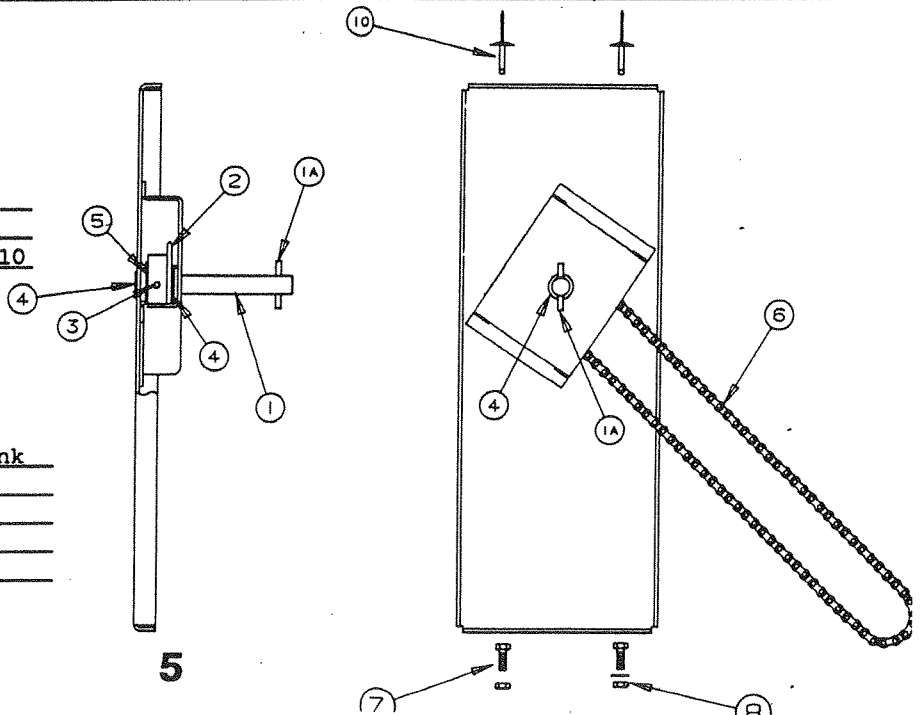
CODE	PART NO.	DESCRIPTION
6	4747-6741	Stainless steel cable assy x1 (156" long, M2)
	4744-1318	Stainless steel cable crimp
7	4747-8931	Long pin, x2, (only)
	4730B0981	Retaining ring (only), M12
8	4720C1578	Lift pin x1
9	1204B1081	Cotter pin, M10
10	1203-8641	Rivet x4, M50
11	4715A5371	Steel pulley & bearing x4, M10
12	4731C5801	Butterfly bracket assy
13	4749-2081	Bolt, 1/4 - 20 x 1/2", (x3), M6
14	4749A2028	Retaining clip x2
15	4749-4061	Pin short x1, M4
	4730B0981	Retaining ring (only), M12

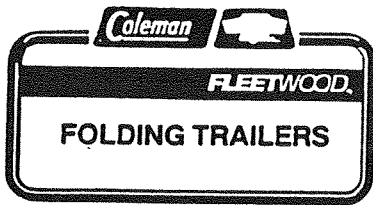
### CRANK AND SPROCKET ASSEMBLIES

#### Pioneer Series

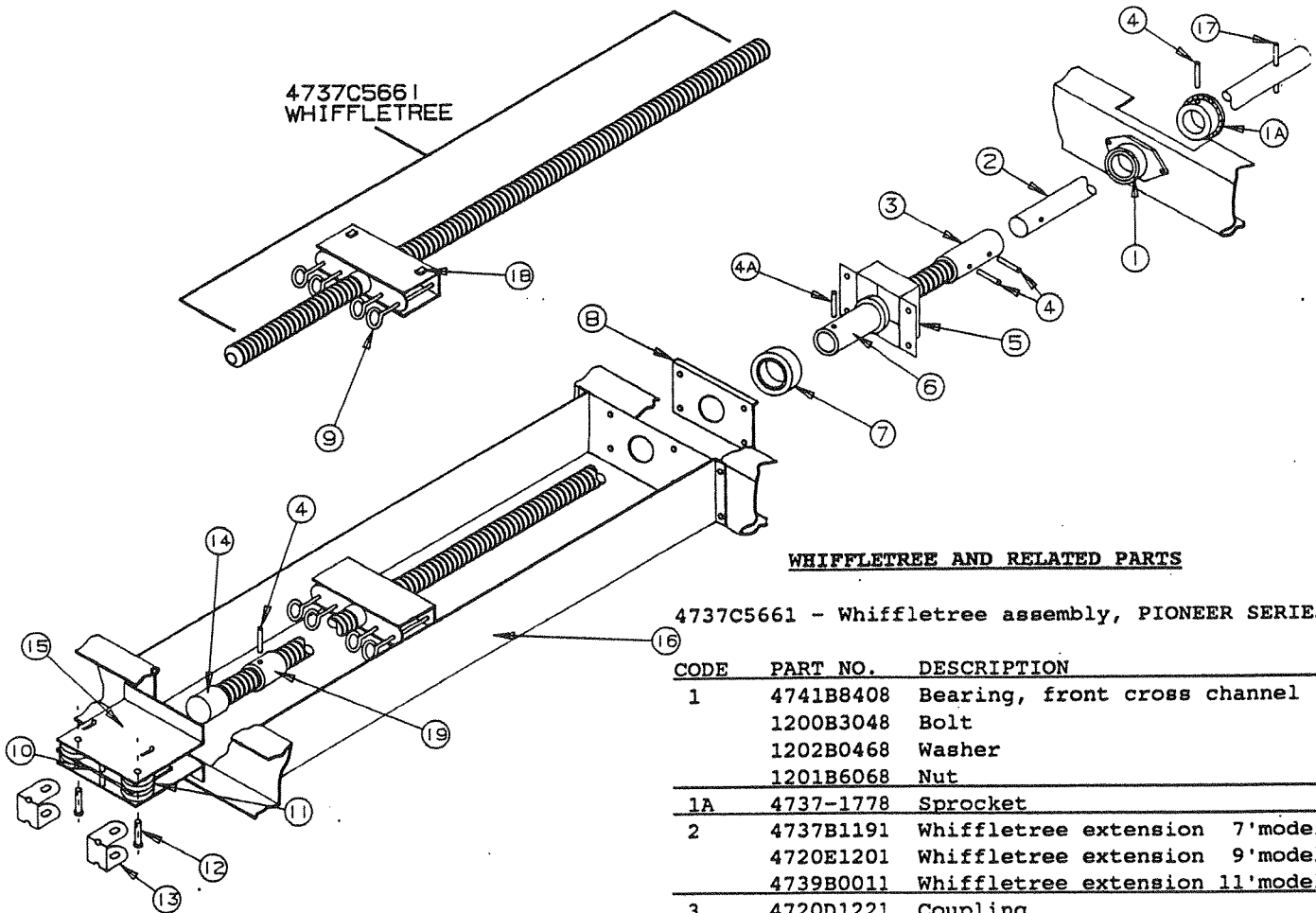
- 4716G5801 Crank and sprocket assembly

CODE	PART NO.	DESCRIPTION
1	4730C3408	Sprocket shaft
1A	4720B1481	Roll pin, 1" long, M10
2	4730B3848	Sprocket (12 tooth)
3	4720B1481	Roll pin M10
4	4730B3828	Bronze bearing
5	1202-2828	Washer x1
6	4739B2631	Chain
	4730A3811	Connecting link
	4714-0351	Offset connecting link
7	4731-3878	Hex head bolt x2
8	1201B6038	Hex nut x2
9	1202B0438	Washer x1
10	1203C8721	Rivet x2, M25





# PIONEER 1991 REPAIR PARTS



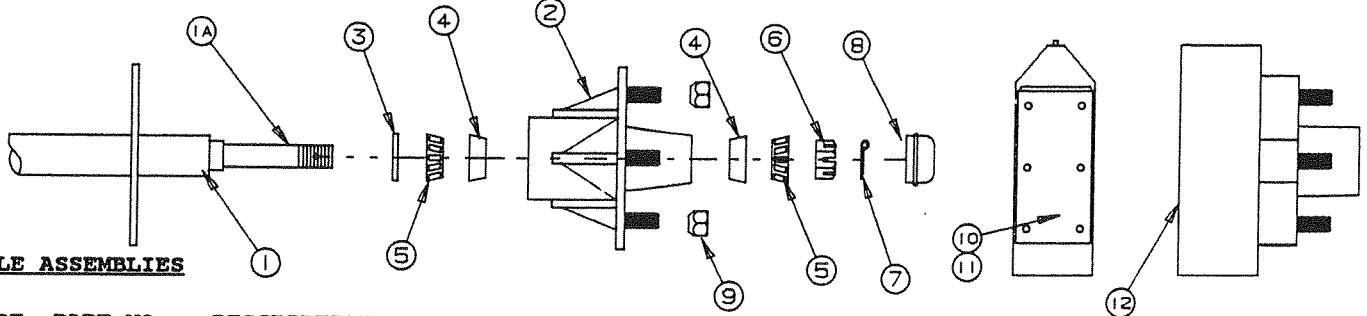
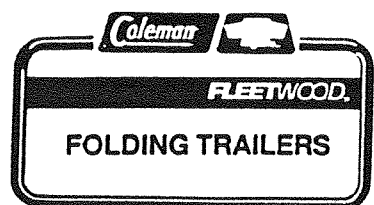
### WHIFFLETREE AND RELATED PARTS

4737C5661 - Whiffletree assembly, PIONEER SERIES

CODE	PART NO.	DESCRIPTION
1	4741B8408	Bearing, front cross channel
	1200B3048	Bolt
	1202B0468	Washer
	1201B6068	Nut
1A	4737-1778	Sprocket
2	4737B1191	Whiffletree extension 7' model
	4720E1201	Whiffletree extension 9' model
	4739B0011	Whiffletree extension 11' model
3	4720D1221	Coupling
4	4720B1481	Roll pin, M10
4A	4744A1301	Shear pin, M10
5	4720B2408	Retainer
	4731-3878	Hex-head bolt
	1201B6038	Hex nut
6	4720B2388	Thrust nut
7	4720A2421	Bearing
8	4720B2418	Plate
9	4744-4451	Screw eye, M4
	1201B6078	5/16 - 18 Locknut x8
10	4715C5661	Pulley spacer
11	4715A5371	Pulley and bearing, M10
12	4720H1561	Long pin, M5
13	4744A1748	Cable retainer
14	4730D129	Screw socket x1
15	4720-155	Pulley plate x2
16	4720D2371	Guide channel
	4731-3878	Hex bolt
	1201B6038	Hex nut
17	4730B3381	Roll pin x1, 2", M6
18	4720A123	Nylon pin x2
19	4710A424	Bushing x1



# PIONEER 1991 REPAIR PARTS

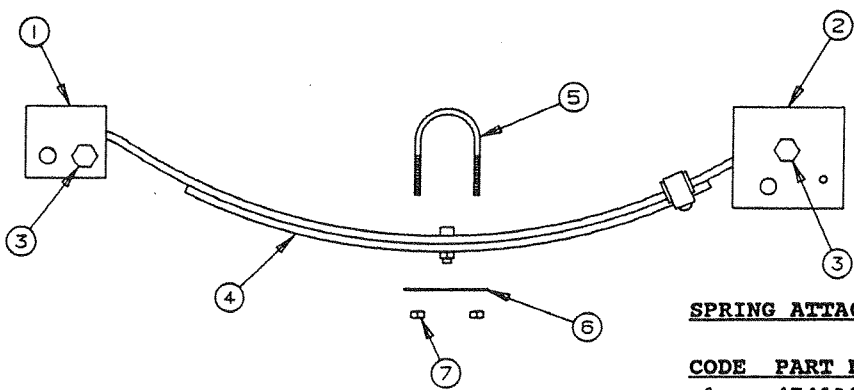


**AXLE ASSEMBLIES**

CODE	PART NO.	DESCRIPTION
1	4741D6251	Axle beam (includes spindle)
1A	4741B849	Spindle
2	4738D0451	Hub assy, 5 hole with studs
3	4714A2201	Grease seal, M4
4	4716-1101	Bearing & race pkg
5	4716-1101	Bearing & race pkg
6	4714-3068	Spindle nut, slotted x2
7	1204-1268	Cotter pin
8	4714-0621	Grease cap, M4
9	4747A9528	Lug nut x5 (2567, 8" tire only)
	4747-9528	Lug nut x5 (all except 8" tires)
10	4733A3521	Righthand electric brake assy, 7"
11	4733A3531	Lefthand electric brake assy, 7"
12	4716A1071	Hub & drum

Note: Refer to page 8 for the component parts of the electric brake assemblies.

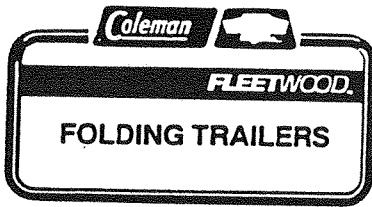
**Axle Assemblies Complete (Special Order Only)**  
 4741D630 Axle - 2567  
 4741G576 Axle - 2585  
 4741E630 Axle - 2593



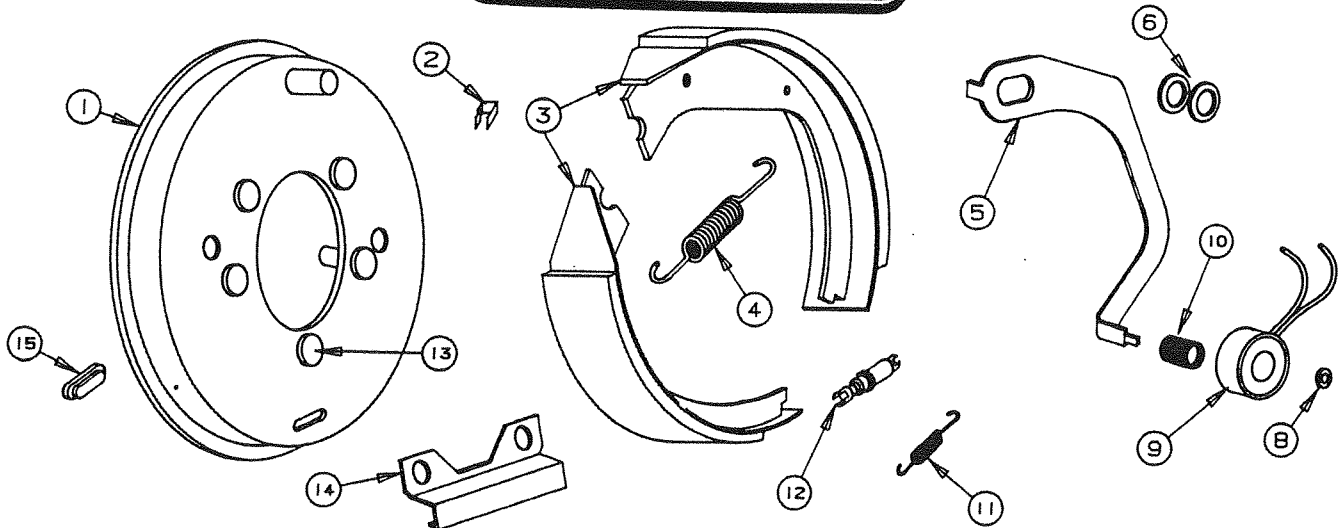
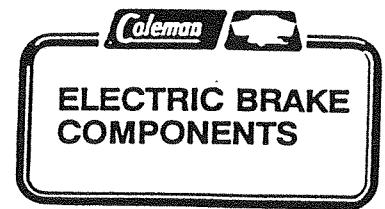
**SPRING ATTACHMENTS**

CODE	PART NO.	DESCRIPTION
1	4741A3398	Rear spring shackle
2	4741B3398	Front spring shackle
3	4737A1318	Shackle bolt
	4741-9498	Shackle bolt nut
4	4738-0981	Leaf spring, 2 leaf 600#, 2567
	4741B3381	Leaf spring, 2 leaf 750#, 2585
	4735C2201	Leaf spring, 3 leaf 1000#, 2593
5	4741A8438	"U" bolt
6	4741-8458	"U" bolt plate
7	4741-9358	"U" bolt nut





# PIONEER 1991 REPAIR PARTS



**ELECTRIC BRAKE PACKAGE (COMPLETE)**

4714H2011 for 1 1/16" diameter straight spindle

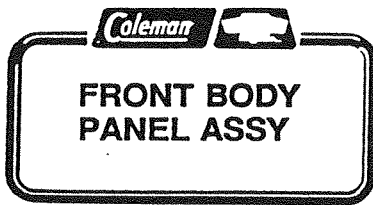
Item	Coleman Part NO.	Dexter Part No.	Qty/ Brake	Description
1	Note	36-36-4	1	Backing plate assy
2	Note	46-23	2	Shoe hold-down spring
3	4714B2071	40-125	1	Primary shoe and lining assy and
		40-49	1	Secondary shoe and lining assy
4	4714A2411	46-24	1	Retractor spring
5	4714-2841	47-30-4	1	RH actuating lever arm and
		47-29-4	1	LH actuating lever arm
6	4714A2461	46-30	2	Anchor post clip, M2
7	Note	27-5	1	Wire clip (not shown)
8	4714A2471	46-39	1	Magnet retainer clip, M2
9	4714C2451	42-44	1	Magnet assy kit; includes 1 magnet, 1 spring and 1 retainer clip
10	4714A2421	46-25	1	Magnet housing spring
11	4714A2101	46-22	1	Adjustable screw spring
12	4714A2041	43-11	1	Adjusting screw
13	Note	7-41	4	Backing plate bolt
14	Note	64-1	1	Stabilizer bracket
15	Note	46-7	1	Plug

4733A3521                      23-48                      RH complete brake assy only  
 4733A3531                      23-47                      LH complete brake assy only

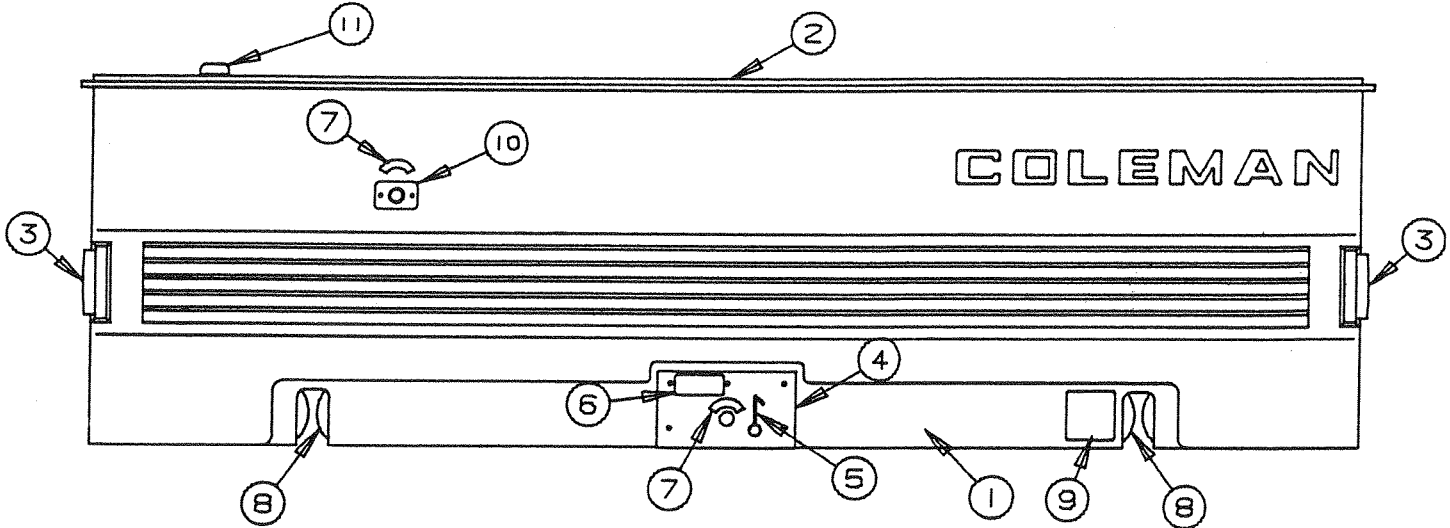
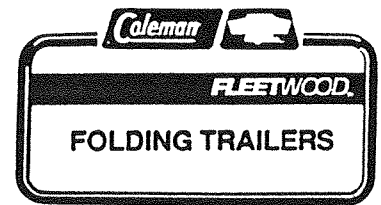
**NOTE:** Must be ordered through Dexter.  
 When ordering with Dexter please  
 supply their vendor number.

Phillips Industries/Dexter Axle Division  
 1-219-295-1900 Customer Service Department

In order to change to electric brakes on a 2567 Columbia  
 you must first replace the axle beam with 4741D6251 assy.



# PIONEER 1991 REPAIR PARTS



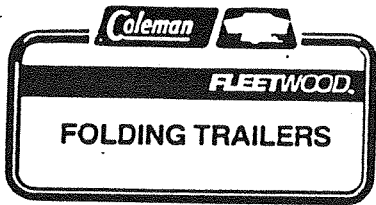
**PIONEER SERIES COLONIAL WHITE**  
**FRONT BODY PANEL ASSEMBLY COMPONENTS**

<u>CODE</u>	<u>PART NO.</u>	<u>DESCRIPTION</u>
1	4737E8601	Front body panel 2567,2585,2593
2	4716-1801	End rail front (all)
	1203-8641	Rivet, M50
3	4714E0841	Amber lens & base
	4733G1311	Socket & harness x2
	4714-3701	Bulb (#194), M4
	4741B9368	Screw x2
4	4715J1238	Body filler plate
	4741B9368	Screw x5
5	4730A1221	Safety latch package
	4720B3448	Shoulder bolt
	1202B2528	Washer 1 1/4" O.D.
	1201B6038	Hex nut
6	4737E3638	Caution latch decal
7	4730H3188	"Open" decal x2
8	4737B4458	Gasket x2
9	4730J2138	Gas piping decal
10	4741B403	Plate
	4741A9368	Screw x2
11	4734C1538	Bed stop x1
	1114B1012	Screw x2

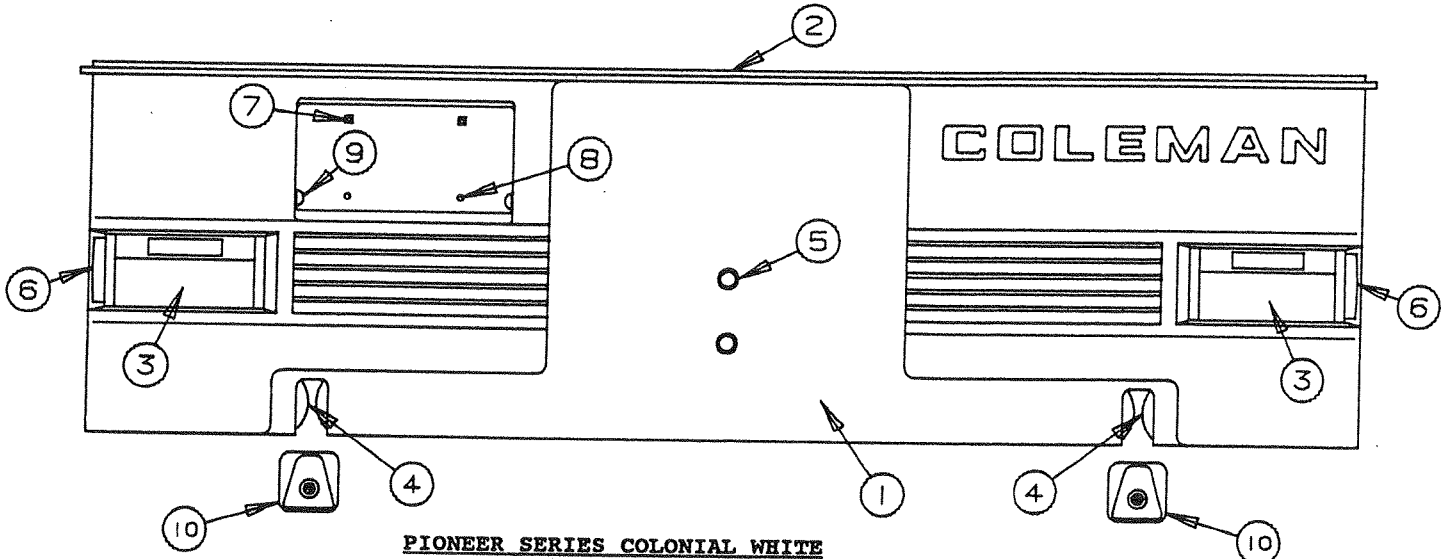
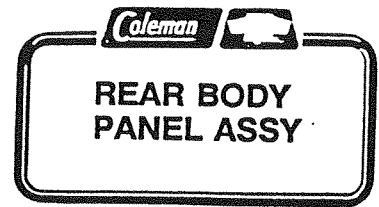
**NOTE:** All panels are shipped less trim tape and decals. Must order separately.

**2500 Series Pioneer Panel Repair Kit**

4716B2121 Front/Rear Body Panel Trim Tape Kit

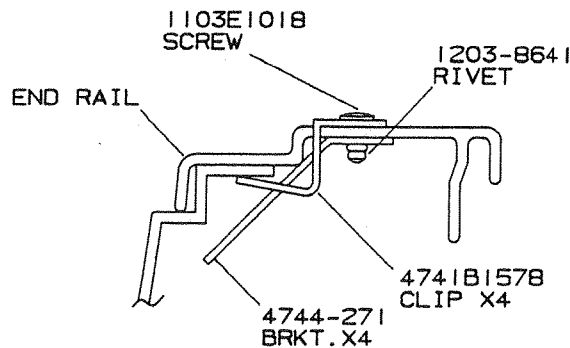


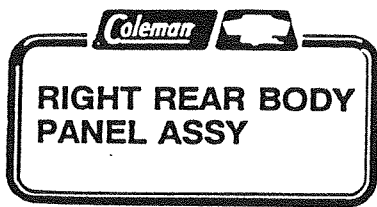
# PIONEER 1991 REPAIR PARTS



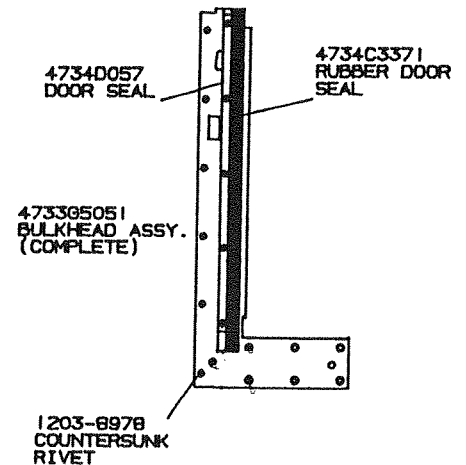
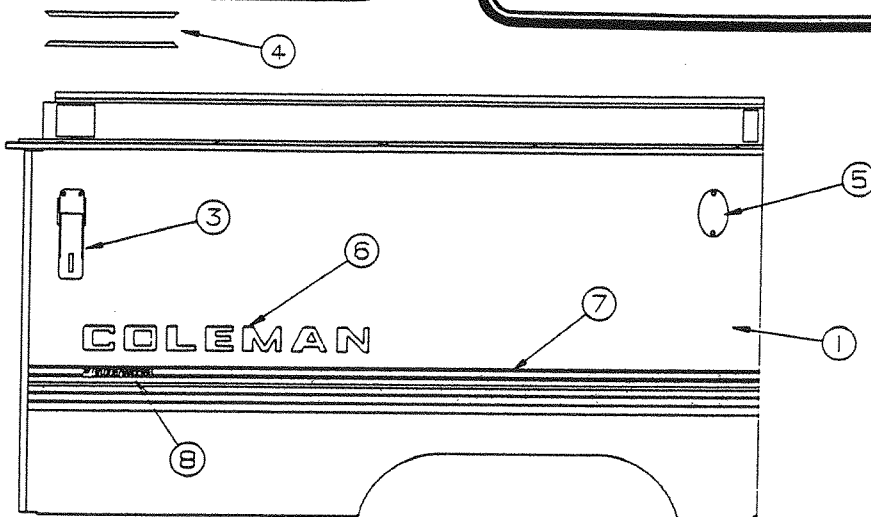
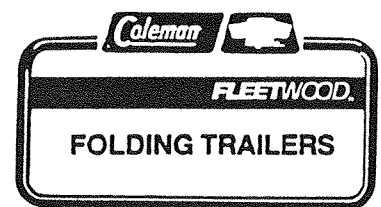
**PIONEER SERIES COLONIAL WHITE  
REAR BODY PANEL ASSEMBLY COMPONENTS**

CODE	PART NO.	DESCRIPTION
1	4737D8621	Rear body panel 2567, 2585, 2593
2	4737B881	End rail rear (all)
	1203-8641	Rivet, M50
3	4749-4321	Taillight assy
	4716-1041	Taillight lens only
	4747-2558	Expansion rivet x4
	4734-2388	Wire connector
4	4737B4458	Gasket x2
5	4744A8598	Hole plug x2
6	4714E0851	Red lens & base x2
	4733G1311	Socket & harness x2
	4714-3701	Bulb (#194), M4
	4741B9368	Screw x2
7	4732-1181	Plastic grommet, M4 x2
	4716-063	Screw
8	4737A0728	Rubber bumper x2
9	4739B4311	License plate light x2
10	4744A5571	Bumper pad assy x2
	1200B3038	Bolt x2





# PIONEER 1991 REPAIR PARTS



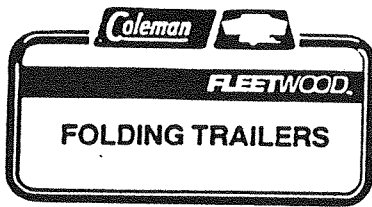
**PIONEER SERIES COLONIAL WHITE  
CURBSIDE RIGHT REAR BODY PANEL ASSEMBLY COMPONENTS**

CODE	PART NO.	DESCRIPTION
1	4737D8611	Body panel, 2567
	4744C0031	Body panel, 2585
	4744B0531	Body panel, 2593
2	4739C2708	Body rail 2567
	4744-045	Body rail 2585
	4744-063	Body rail 2593
	1203-8641	Rivet, M50, rail to panel
	4723B8071	Velcro hook 2" x 2" square adhesive-backed
	4724F2631	Velcro hook 3/4" wide adhesive-backed
	4710-3621	Roll pin, M10 - x4
3	4741B6041	Top latch w/o lock
	4741-8218	Screws x4
4	4737-0738	Rail stop 6 3/16", 2567, 2585
	4350000093	Double stick tape
	4730B1211	Rail stop 16 3/16", M4 - 2593, 2585
5	4733-2818	RVIA tag
	1203-8678	Rivet, x2
6	4745B1908	Coleman logo
7	4716C514	Trim tape
		2567 model - 4 ft required
		2585 model - 5 ft required
		2593 model - 6 ft required
8	4749A8708	Fleetwood decal x1

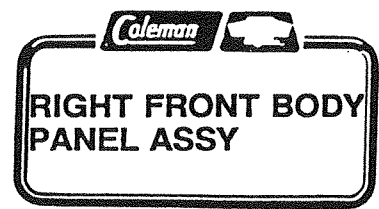
**NOTE:** All panels are shipped less trim tape and decals. Must order separately.

**2500 Series Pioneer Panel Repair Kit**

4716C2101 Rt Rear/Rt Front/Access Door  
Body Panel Trim Tape Kit



# PIONEER 1991 REPAIR PARTS

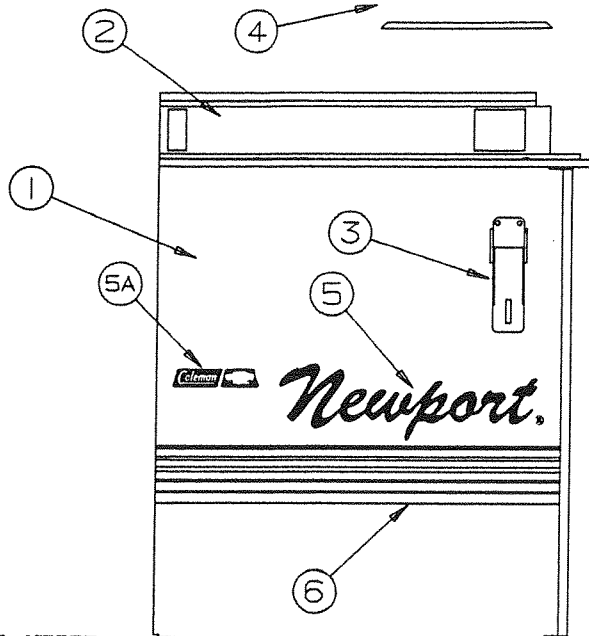


4734C3371  
RUBBER DOOR  
SEAL

4734D057  
DOOR SEAL

473305081  
BULKHEAD ASSY.  
(COMPLETE)

1203-8978  
COUNTERSUNK  
RIVET



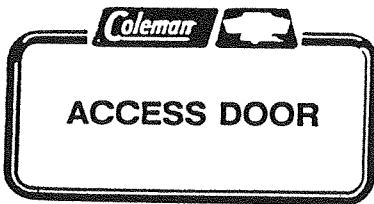
**PIONEER SERIES COLONIAL WHITE**  
**CURBSIDE RIGHT FRONT BODY PANEL ASSEMBLY COMPONENTS**

CODE	PART NO.	DESCRIPTION
1	4737D8571	Body panel, 2567
	4744C0051	Body panel, 2585
	4744B0551	Body panel, 2593
2	4739C2698	Body rail 2567
	4744-046	Body rail 2585
	4744A065	Body rail 2593
	1203-8641	Rivet, M50, rail to panel
	4723B8071	Velcro hook 2" x 2" square adhesive-backed
	4724F2631	Velcro hook 3/4" wide adhesive-backed
	4710-3621	Roll pin, M10 - x4
3	4715E5051	Top latch w/lock
	4741-8218	Screws x4
4	4737-1088	Rail stop 10 11/16", 2567
	4730B1211	Rail stop 16 3/16", 2585, 2593
	4737-0738	Rail stop 6 3/16", 2567
5	4737F8808	Name decal, 2567
	4744E0018	Name decal, 2585
	4739G1918	Name decal, 2593
5A	4749-9408	Coleman logo
6	4716C514	Trim tape
		2567 model - 2 ft required
		2585 model - 3 ft required
		2593 model - 4 ft required

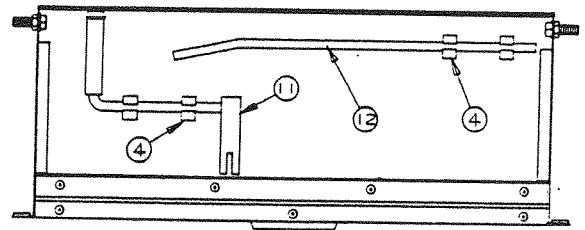
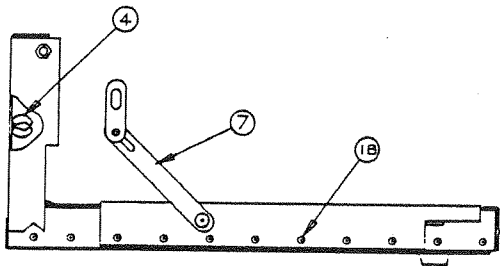
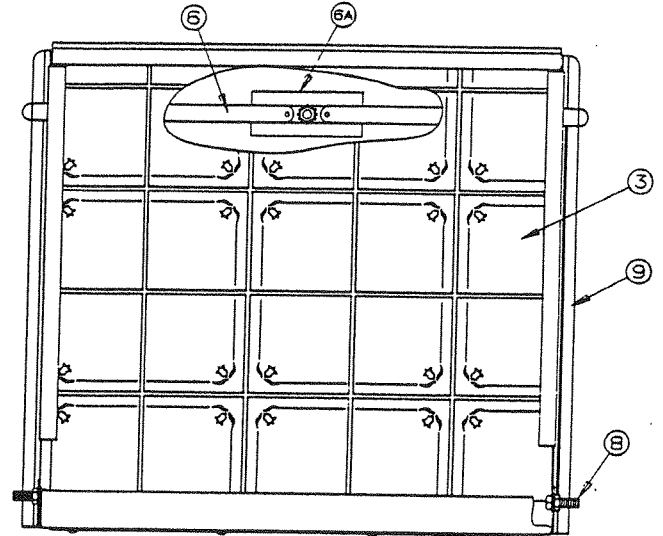
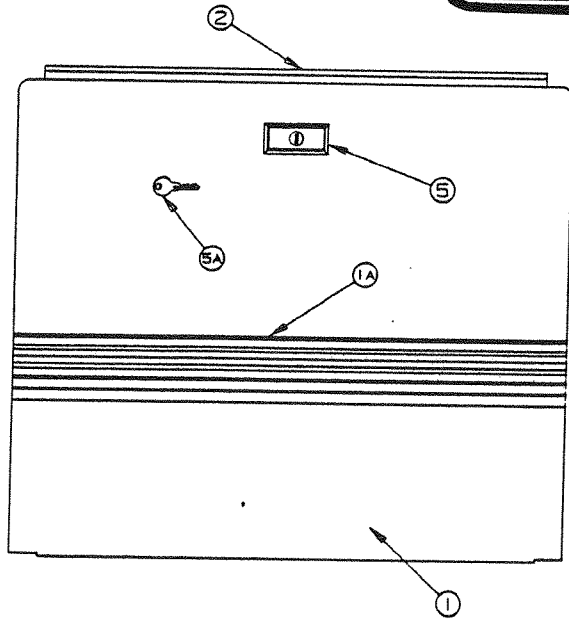
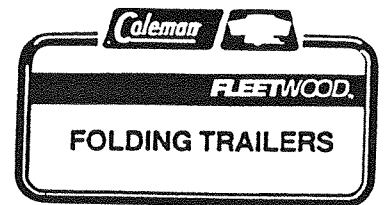
**Note:** All panels are shipped less trim tape and decals.  
Must order separately.

**2500 Series Pioneer Panel Repair Kit**

4716C2101 Rt Rear/Rt Front/Access Door  
Body Panel Trim Tape Kit



# PIONEER 1991 REPAIR PARTS



### ACCESS DOOR ASSEMBLY

4739J6541 2567, 2585, 2593

### PIONEER SERIES- COLONIAL WHITE

CODE	PART NO.	DESCRIPTION
1	4716D0321	Access door skin
1A	4716C514	Trim tape, 3 feet required
1B	4733A0601	Rivet, M25 x22
2	4731E2338	Access door cap
	1203-8641	Rivet, M25 X8
3	4731N2291	Access door floor covering
4	4734-2431	Snap clip, M4
	4733-4118	Tek screw
5	4730B3111	Lock handle
	4716-056	Screw
	1201B6958	Keps nut
5A	4730A3211	Access door key, M10
6	4741-6551	Lock bar assy
6A	4741-1438	Reinforcement plate
	1202B8528	Lock washer
7	4744-6981	Swing arm assy
	1203C8721	Rivet, M25
	1202B0468	Washer

Note: Rivet and washer included in swing arm

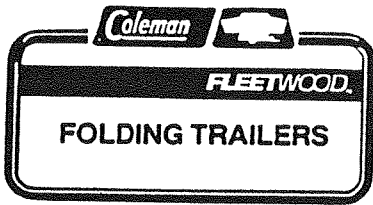
CODE	PART NO.	DESCRIPTION
8	1006B2428	Bolt, 3/8 16 x 1 1/4, x2
	1202B0468	Washer, x2
	1201B5188	Nut, 3/8 - 16, x2
9	4060025006	1/8 x 1/2" adhesive-backed foam tape
10	4737B2838	White caulking (sold per tube)
11	4747B4141	Crank handle
12	4749-1861	Stabilizer handle

### 2500 PIONEER PANEL REPAIR KIT

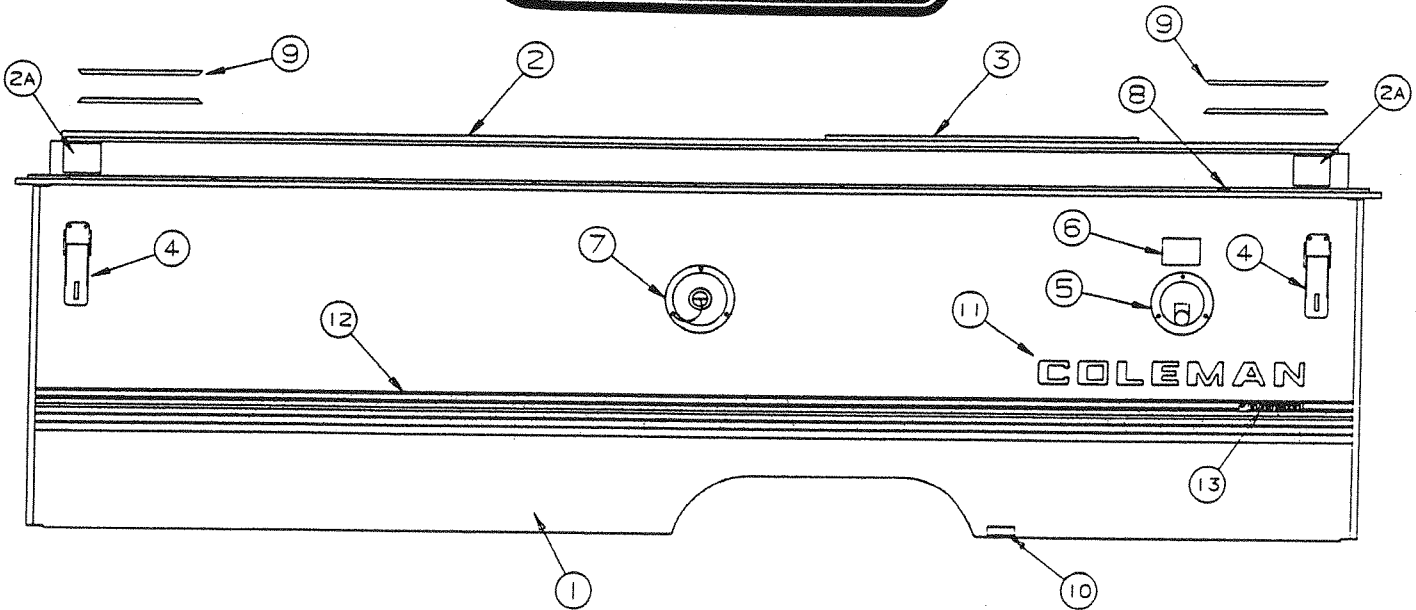
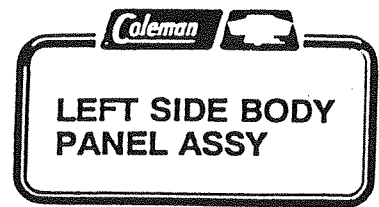
4716C2101 Rt Rear/Rt Frt/Access Dr Panel  
Body Panel Trim Tape Kit

### ACCESS DOOR LIGHT

4737B5901	Light assy (complete)
4714B0951	Light lens
4733B4981	Light switch



# PIONEER 1991 REPAIR PARTS



**PIONEER SERIES COLONIAL WHITE  
LEFT BODY PANEL ASSEMBLY COMPONENTS**

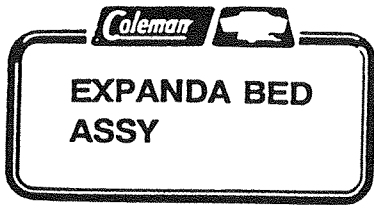
CODE	PART NO.	DESCRIPTION
1	4737G8631	Body panel, 2567
	4744F0041	Body panel, 2585
	4744F0541	Body panel, 2593
2	4739D2688	Body rail 2567
	4744A044	Body rail 2585
	4744A064	Body rail 2593
	1203-8641	Rivet, M50, rail to panel
	4710-3621	Roll pin, M10 - x4
	4749-165	Clamp (to hold wire)
	1203-8641	Rivet, M50
2A	4723B8071	Velcro hook 2" x 2" square, adhesive-backed
3	4737B2581	Curtain track package M2 Contains two pieces 32" long
	4741-9861	Rivet, M25, track to rail
4	4741B6041	Top latch w/o lock x2
	4741-8218	Screws x 4
5	4733-2331	Cable hatch
	4741-3508	Screws x3

CODE	PART NO.	DESCRIPTION
6	4745A9948	30 AMP decal
7	4732D1521	City water fill
	4747-4718	Nylon washer x3
	4741-3508	Screws x3
8	1204-0408	Snap bushing
9	4737-0738	Rail stop 6 3/16", 2567, 2585
	4730B1211	Rail stop 16 3/16", 2593
10	4744B2668	Drain decal
11	4745B1908	Coleman logo
12	4716C514	Trim tape
		2567 model - 8 ft required
		2585 model - 10 ft required
13	4749A8708	2593 model - 12 ft required
		Fleetwood decal x1

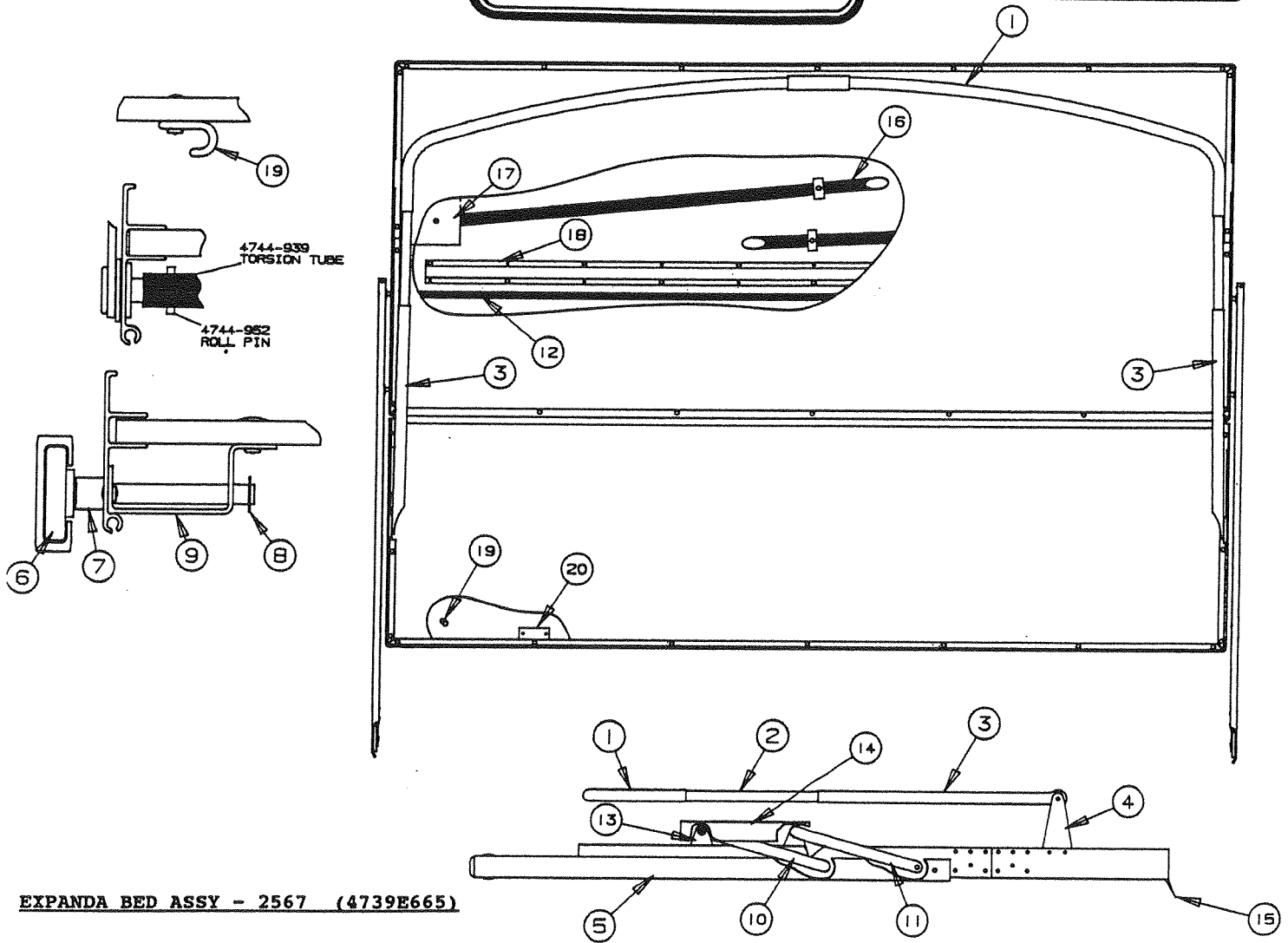
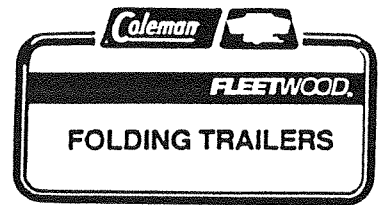
**NOTE:** All panels are shipped less trim tape and decals. Must order separately.

**2500 Pioneer Series  
Body Panel Repair Kit**

4716C2111  
Left Side Body Panel Trim Tape Kit



# PIONEER 1991 REPAIR PARTS



**EXPANDA BED ASSY - 2567 (4739E665)**

CODE	PART NO.	DESCRIPTION
1	4737E2631	Tent bow support upper
2	4747-6071	Inner support assy x2
3	4744A9411	Tent support lower x2
	4733-4118	Screw x2
4	4747-6061	Bow bracket assy x2
	1014B1006	Screw x2
5	4744-9461	Bed extension assy x2
6	4731-4711	Roller support x4
7	4744-9408	Spacer x4
8	4744-948	Retaining ring x4
9	4744-942	Bed roller bracket x4
10	4744-9531	Link arm outer assy x2
11	4744-9541	Link arm inner assy x2
12	4744-939	Torsion tube x1
	4744-952	Roll pin x2
13	4744-986	Bed bracket x4
	1014B1006	Screw x4
14	4747C6081	Link arm cover x2
15	4060000339	Bed seal 72 1/6" x 2"
16	4734D5881	Bed support leg assy x2

17	4737A4178	Support plate x2
	4716-074	Bolt x2
	4739A2908	Cap x2
	4739-2918	Cap washer x2
18	4749-205	Bed channel x1
	1203C8721	Rivet, M25 x 11
19	4720D4021	Lashing hook x6, M6
	1203-8741	Rivet, M25
20	4744-951	Bracket x2
	1203C8721	Rivet, M25 x 4

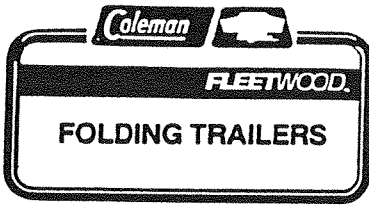
4714-1901 Tent/Bow leg set (colonial white)  
4714-6081 Bed bow repair kit (colonial white)

**REAR EXPANDA-BED MATTRESS ASSEMBLIES - 2567 COLUMB**

	FRONT MATTRESS	REAR MATTRESS	FRONT COVER	REAR COVER	ARM COVER
--	-------------------	------------------	----------------	---------------	--------------

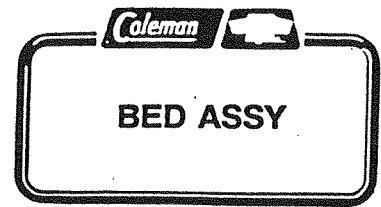
**15** 4724C8041 4724C8051 4714C3771 4714C3781 4747C60





Bed Extensions  
Rear Bed

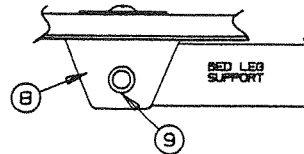
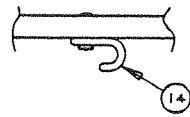
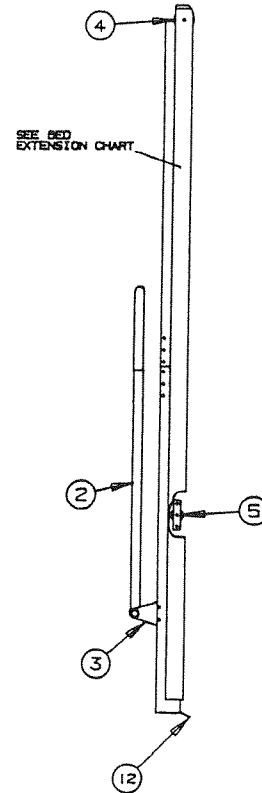
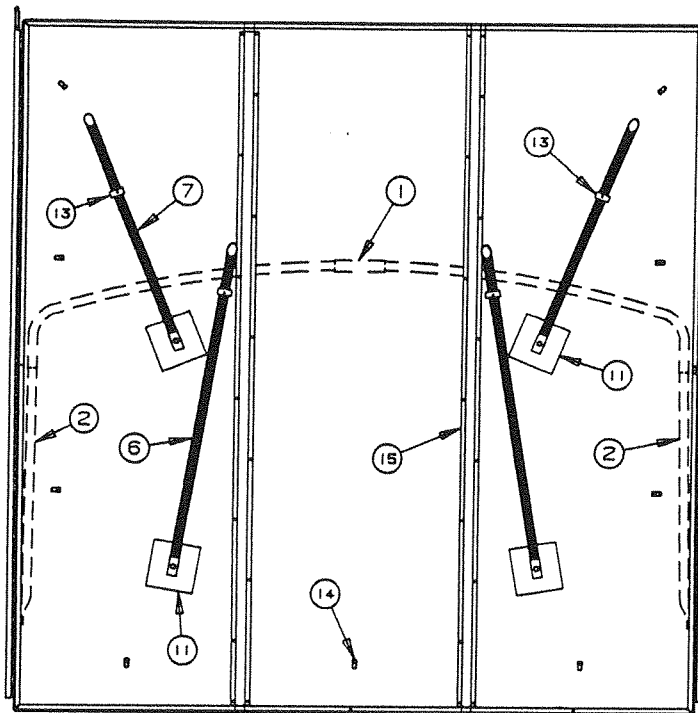
# PIONEER 1991 REPAIR PARTS



Bed Extensions  
Front Bed

Model	Curbside	Roadside
2567 Columbia	4744-9461	4744-9461
2585 Newport	4739-6191	4739-6191
2593 Chesapeake	4731-6291	4731-6291

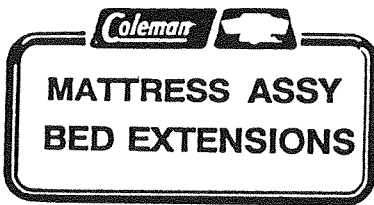
Model	Curbside	Roadside
2567 Columbia	4739-6151	4739-6191
2585 Newport	4731-6291	4739-6191
2593 Chesapeake	4716-0381	4716-0391



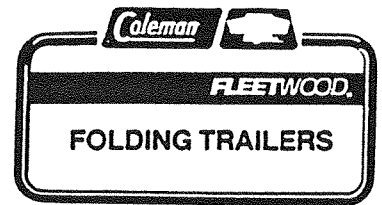
**BED ASSEMBLY DETAILS**

CODE	PART NO.	DESCRIPTION
1	4737E2631	Upper tent bow assy (all)
	4714-1901	Tent/bow leg set, col white
	4714-6081	Bed bow repair kit, col white
2	4737E2641	Lower tent support x2
	4733-4118	Tex screw x2
3	4720F5631	Bed bow bracket x2
	4716-078	Screw x2
4	4720B0831	Large plastic wheel x1
	4731A1288	Flathead rivet (wheel to ext)
5	4720B5621	Roller assy x2
	4731A1308	Rivet (wheel to roller support)
6	4733E6351	Bed leg support x2
7	4720F5821	Bed leg support x2
	4734D5881	Bed leg support, small bed (all)
8	4734A5141	Bed leg support bracket
9	4720A2361	Rod & pal nut assy

CODE	PART NO.	DESCRIPTION
10	1040B1614	Screw x1
	1202B2528	Washer x1
	4739-2918	Screw cap washer x1
	4739A2908	Screw cap x1
11	4737A4178	Support plate (6 x 6)
12	4060000339	Bed seal (Sold per foot)
13	4720C0771	Bed leg support clip, M4
	1203-8831	Rivet, M25
14	4720D4021	Lashing hook, M6
	1203-8741	Rivet, M25
15	4733-085	Bed channel x2 (large bed)
	4720A124	Bed channel x1 (small bed)
	1203C8721	Rivet, M25



# PIONEER 1991 REPAIR PARTS



### MATTRESS ASSEMBLIES

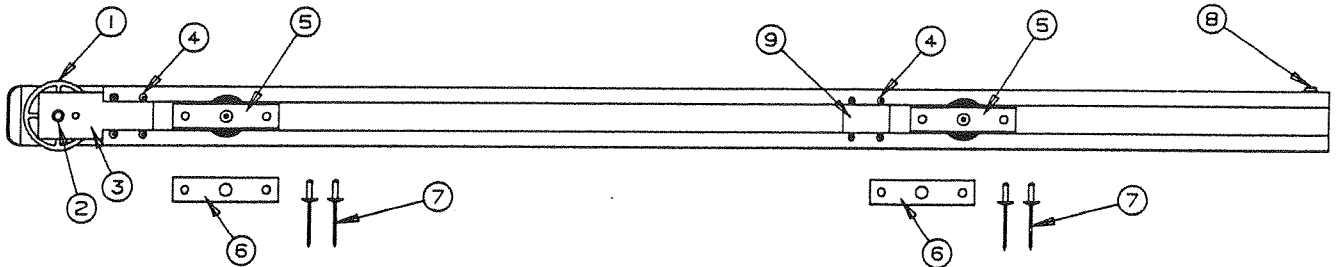
FRONT

REAR

<u>Pioneer Series</u>	<u>Assembly</u>	<u>Cover</u>	<u>Assembly</u>	<u>Cover</u>
2567 Columbia	4724C8061	4714L7491	See Expanda Bed Section	
2585 Newport	4723K6671	4714D6461	4723K6671	4714D6461
2593 Chesapeake	4723C7861	4714C3761	4714J7381	4714D6471

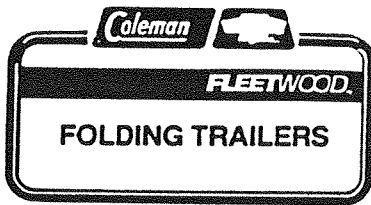
### REFERENCE DIMENSIONS

<u>Pioneer Series</u>	<u>Front</u>	<u>Rear</u>
2567 Columbia	71 x 51 x 3	See Expanda-Bed Dimensions
2585 Newport	71 x 51 x 3	71 x 51 x 3
2593 Chesapeake	71 x 74 x 4	71 x 51 x 4

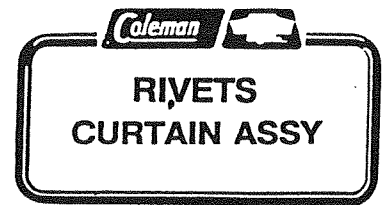


### BED EXTENSION ASSY AND RELATED PARTS

<u>CODE</u>	<u>PART NO.</u>	<u>DESCRIPTION</u>
1	4720B0831	Large plastic wheel x1
2	4731A1288	Shoulder rivet x1
3	4741-919	Rivet plate x1
4	4749-457	Rivet x4
5	4720B5621	Roller assy x2
	4731A1308	Rivet (wheel to roller support)
6	4731-471	Roller spacer x2
7	1203-8651	Rivet, M50 (rivet extension to bed frame)
8	4733-4118	Tek screw x1
	1202B0268	Washer x1
9	4731A129	Rail stop x1



# PIONEER 1991 REPAIR PARTS



**Pop Rivets** (Equivalent may be purchased locally from hardware store.)

Rivet No.	Pkqd	"B" Dia.	"C" Dia.	"L" Length	Color	Typical Usage
1203-8678		1/8	1/4	1/2	Alum.	Upper galley, stud to cooktop, latch to stove cover
1203-8951	M25	1/8	1/4	3/8	Black	Doors to cabinets, latch to latch support
1203-8631	M50	5/32	1/4	1/2	Alum.	Screen door assembly, bed extensins
4741B9861	M25	5/32	1/4	1/2	ColW	Curtain track to body rail, sc dr hinge & strike
1203-8641	M50	3/16	3/8	1/2	Alum	Rail to body panel, chest of drawers cabinet, corner bulkheads, bed assy, upper galley bottoms
1203-8651	M50	3/16	3/8	3/4	Alum	Taillight ground, drawer slides, bed assy, sc dr, wheel well
1203-8741	M25	3/16	3/8	3/4	Alum	Lashing hooks, taillight mtg., marker lights, bed assy, screen door
1203-8831	M25	3/16	5/8	5/8	Alum	Chest of drawers cabinet, screen door cable
1203-8841	M25	3/16	5/8	15/16	Alum	Bed support clips, rail to bulkhead, wheel well
1203-8861	M25	3/16	5/8	15/16	Brown	Wall panel to tire mount
1203-8978		3/16	3/8	1/2	Alum	Access door bulkhead (countersunk)
1203C8721	M25	3/16	5/8	11/16	Steel	Swing arm assy, lift assy, rail to support plate
1203C8751	M25	3/16	3/8	7/16	Steel	Corner bulkhead to frame
4733C0601	M25	3/16	3/8	1/2	Col W	Access door cap, corner miter covers
4733A0601	M25	3/16	3/8	1/2	Beige	Latch supt to cab, supt arm to seat
4734-1861	M25	3/16	3/8	3/4	Brown	Fire extinguisher holder, seat frame assy, lower gall assy
4734B1861	M25	3/16	3/8	3/4	Beige	Rail to body panel, sash lock and bracket
4744A3301	M25	3/16	5/8	15/16	Beige	Body rail to door bulkhead

**Expansion Rivet**

4744-4611	M25	5/32	7/16	13/16	Alum	Screen door track, body panels to frame, gas line clamp
-----------	-----	------	------	-------	------	---

**Note:** This table reflects the general usage of the rivets used in our trailers. It does not include all rivets in the parts catalog. Please refer to individual assemblies to find any specific rivet that is needed.

Pioneer Series	Drape Package	No. of Panels
2567 Columbia	4724N6331	4
2585 Newport	4724C7961	4
2593 Chesapeake	4723D7781	5

**Component Parts**

4738-3088	Screw
4725A1981	Curtain tab M100

**COLORS**

- 2567 - Dusty blue, Vinyl backed  
811-60-000-63
- 2585 - Green, Vinyl backed  
811-60-000-64
- 2593 - Dusty Blue, Vinyl backed  
811-60-000-63

**SINGLE CURTAIN PANEL W/SAFETY STRAP**

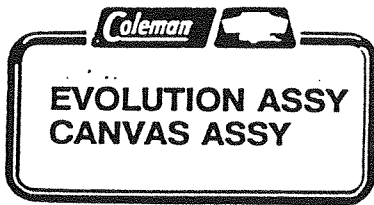
2567	4716B0421	Single Drape Panel w/safety strap
2585	4716B0411	Single Drape Panel w/safety strap
2593	4716-0571	Single Drape Panel w/safety strap

**CURTAIN TIES NOT AVAILABLE ON PIONEER SERIES**

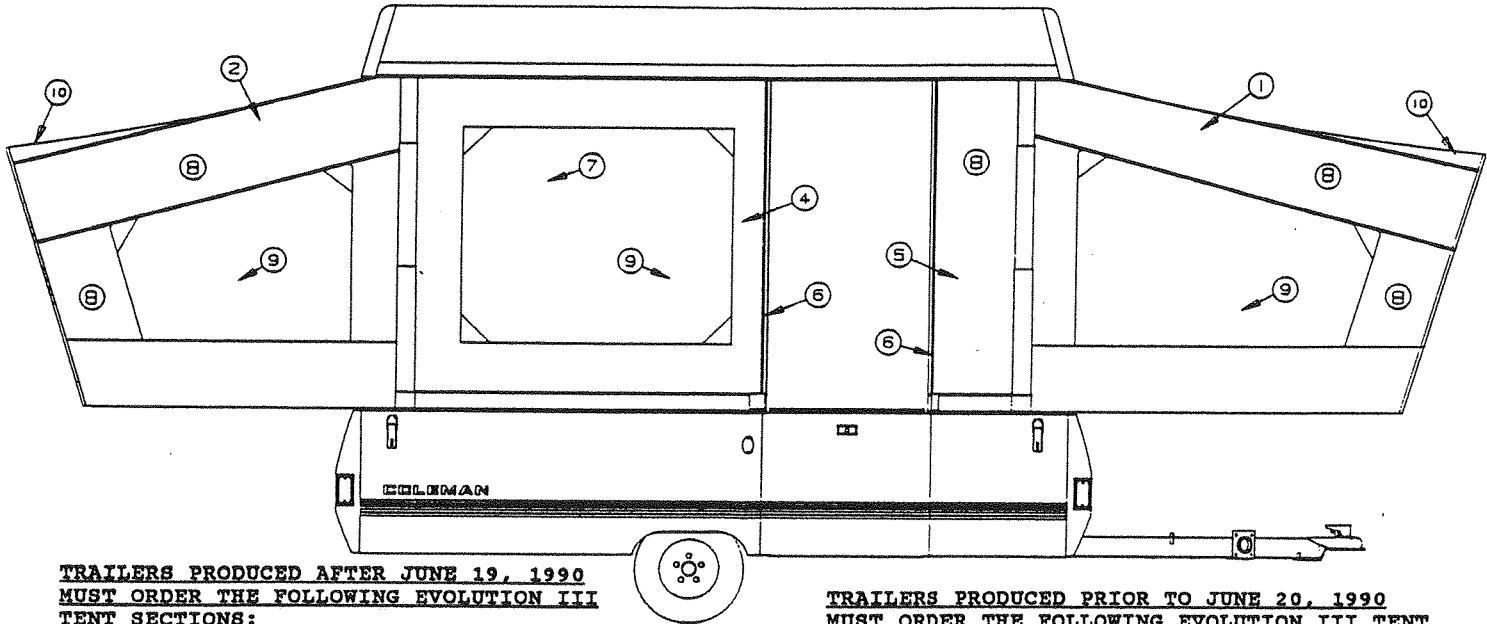
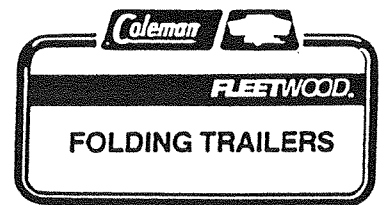
Canvas - Tan  
White Vinyl - Outside **CANVAS ASSEMBLIES**  
White Vinyl - Inside

CODE	PART NO.	DESCRIPTION
1	4727V6821	Front boot, 2567, 2585
	4724F6741	Front boot, 2593
2	4727V6821	Rear boot, 2567, 2585, 2593
3	4724E6801	Large window, 2567 (not shown)
	4727V6801	Large window, 2585 (not shown)
	4724D6771	Large window, 2593 (not shown)
4	4723D6161	Small window, 2567
	4728F6871	Small window, 2585
	4724D5681	Small window, 2593
5	4724F6831	Door seal, 2567
	4728F6851	Door seal, 2585
	4716E5691	Door seal, 2593

- Note:**
- 1225U3518 - Zipper pin half
  - 1225U3508 - Zipper slider half
  - 1225-4191 - Zipper pull, M5
  - 6650500027 - No. 5 Ziplon chain zipper, suntan (used around windows)
  - 4727-4471 - Canvas patch pkg, 12" x 14"
  - 4714D1611 - 54" x 3 yds screen pkg
  - 4714-0361 - 54" x 13 yds screen pkg
  - 4714-2171 - Dry clean pad M5
  - 4714B6021 - 14' Shock cord pkg M2
  - 4744-4578 - Zipper pull tag
  - 4724-2011 - Shock cord clamp, M10
  - 8114210114 - 42" 10/10 Army duck canvas
  - 8118001420 - 80" Vinyl coated polyester
  - 4064101201 - 41" 12 mil. clear vinyl
  - 8160000311 - Bias binding
  - 4743-1588 - K Kote seam sealer



# PIONEER 1991 REPAIR PARTS



**TRAILERS PRODUCED AFTER JUNE 19, 1990  
MUST ORDER THE FOLLOWING EVOLUTION III  
TENT SECTIONS:**

**EVOLUTION III ASSEMBLIES PRODUCED AFTER  
JUNE 19, 1990 ONLY**

Evolution - Grey  
Pewter Vinyl - Outside  
White Vinyl - Inside

CODE	PART NO.	DESCRIPTION
1	4724G7461	Front boot, 2567, 2585
	4724G7471	Front boot, 2593
2	4724G7461	Rear boot, 2567, 2585, 2593
3	4724E7751	Large window, 2567
	4724E7701	Large window, 2585
	4724F7491	Large window, 2593
4	4724E7741	Small window, 2567
	4724E7711	Small window, 2585
	4724F7681	Small window, 2593
5	4724D7731	Door seal, 2567
	4724E7721	Door seal, 2585
	4716E7481	Door seal, 2593

**TRAILERS PRODUCED PRIOR TO JUNE 20, 1990  
MUST ORDER THE FOLLOWING EVOLUTION III TENT  
SECTIONS:**

**EVOLUTION III ASSEMBLIES**

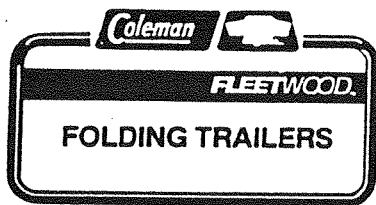
Evolution - Grey  
Pewter Vinyl - Outside  
White Vinyl - Inside

CODE	PART NO.	DESCRIPTION
1	4724F7461	Front boot, 2567, 2585
	4724F7471	Front boot, 2593
2	4724F7461	Rear boot, 2567, 2585, 2593
3	4724D7751	Large window, 2567
	4724D7701	Large window, 2585
	4724E7491	Large window, 2593
4	4724D7741	Small window, 2567
	4724D7711	Small window, 2585
	4724E7681	Small window, 2593
5	4724C7731	Door seal, 2567
	4724D7721	Door seal, 2585
	4716D7481	Door seal, 2593

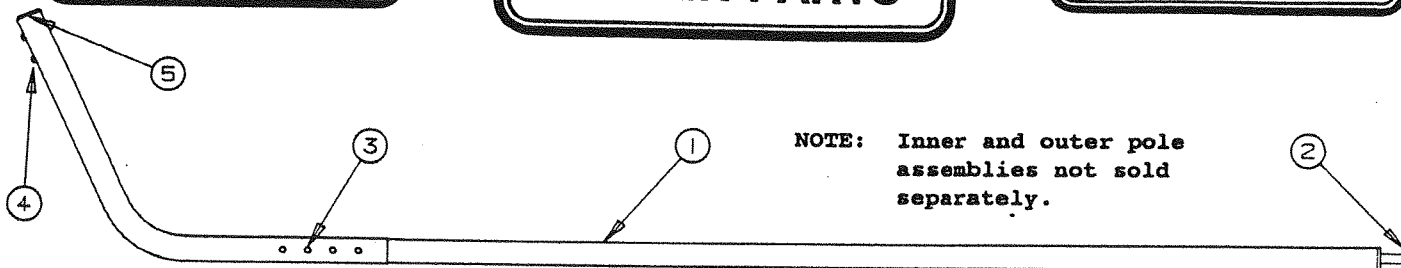
**PLEASE REFER TO PAGE 18  
FOR CANVAS ASSEMBLIES  
AND PART NUMBERS**

6	4060100056	Door seal extrusion 46" (rubber)
7	3758400001	Screen
8	8115400017	"Evolution III" - 7 oz.
9	4064101201	Clear vinyl 41" - 12 mil.
10	8118001428	Top Vinyl, pewter back - 80"
11	4060000024	Top seal arrowhead
12	4060000055	Tubing 5/16" (slide evolution into body rail)
13	8160000320	Bias binding (gray)
14	6650500128	Talon chain zipper, white (used around windows)
15	4716-0851	Evolution patch pkg (12" x 14")
16	1225G3468	Zipper slider half, grey
17	1225G3478	Zipper pin half, grey
18	1225-4441	Zipper pull, M5

Items 3, 11 - 18 not shown in drawing



# PIONEER 1991 REPAIR PARTS



NOTE: Inner and outer pole assemblies not sold separately.

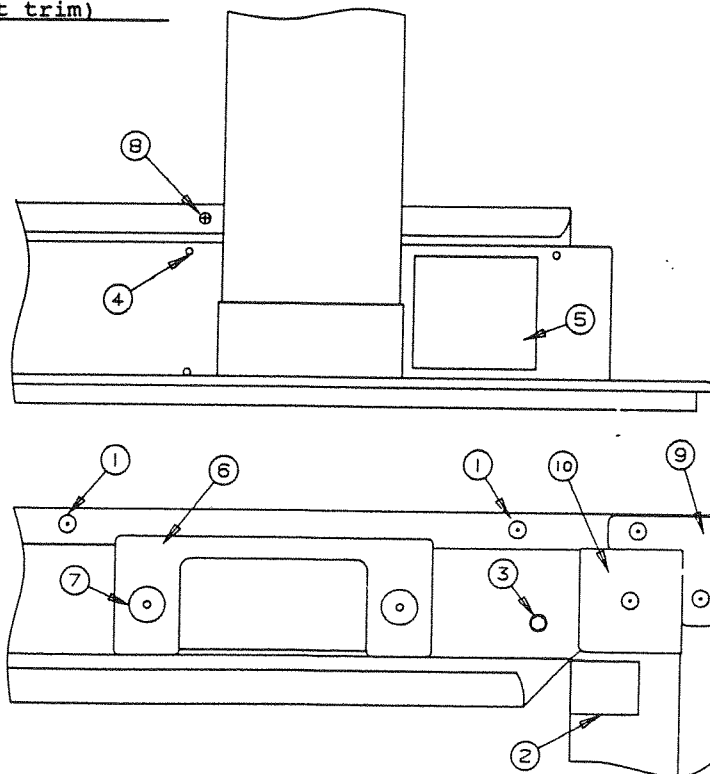
### TENT SUPPORT ASSEMBLIES

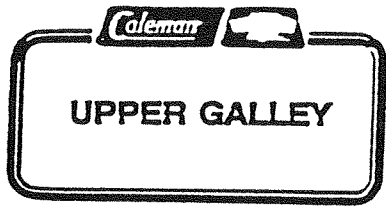
1	4741C5591	Tent support assy, <u>regular bed</u> 2567, 2585, (front and rear) 2593 (rear only)
	4741D5581	Tent support assy, <u>queen bed</u> 2593 (front)

CODE	PART NO.	DESCRIPTION
2	8470-1728	Pole pin, blue
3	4734-6708	Spring assy
4	4734A6708	Spring assy
5	4730B4648	Tube closure
6	4733-4118	Tek screw

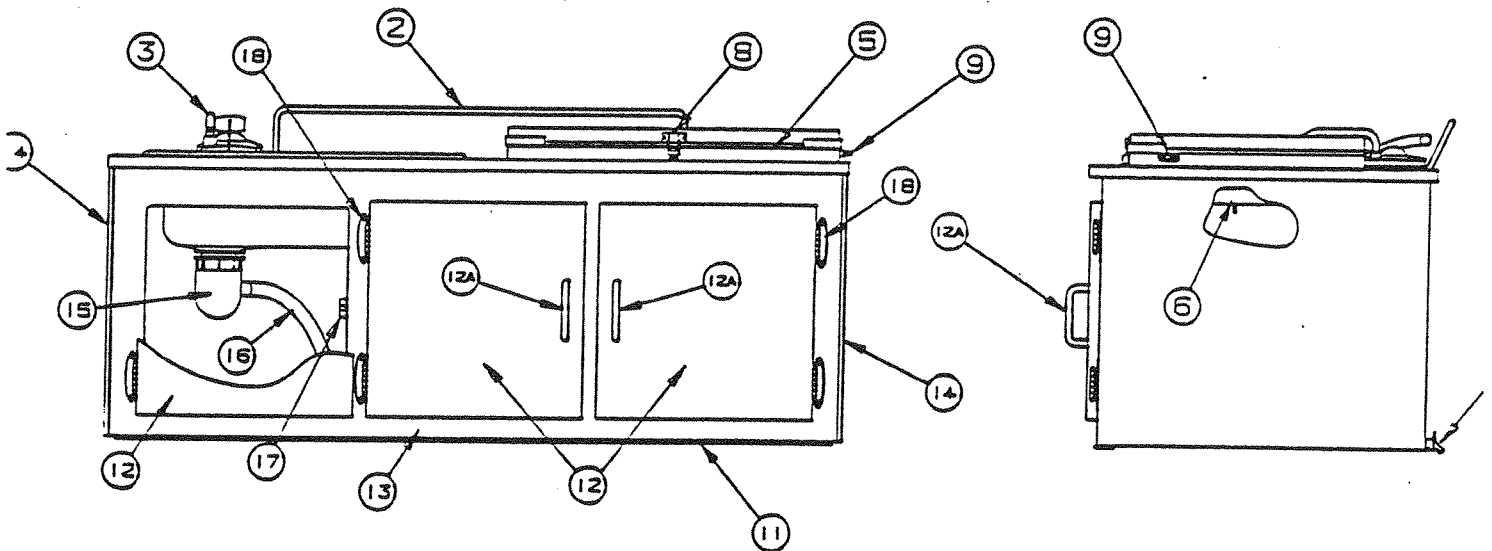
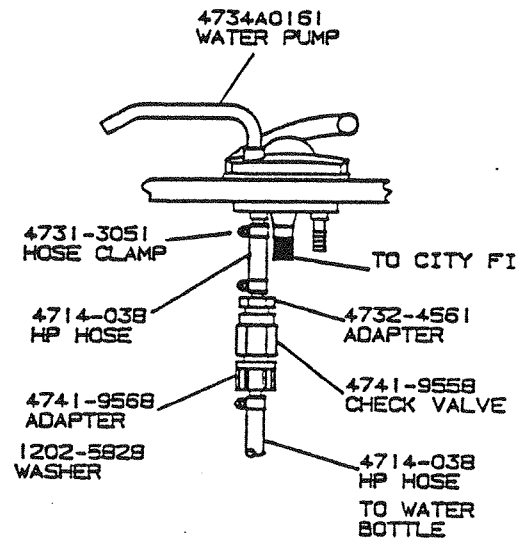
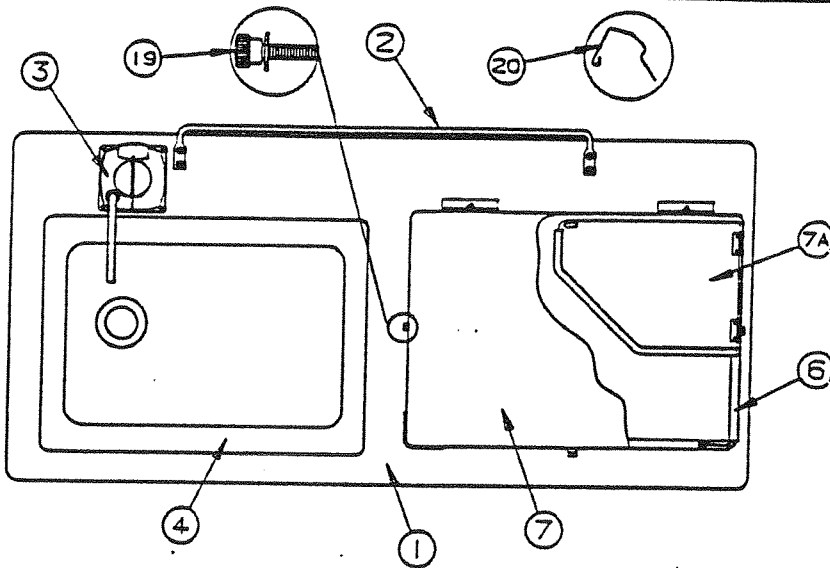
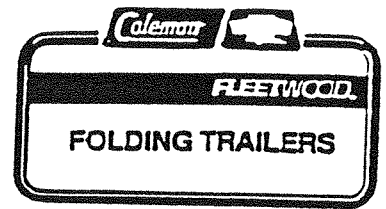
### LIFT TRIM

CODE	PART NO.	DESCRIPTION
1	1203-8641	Rivet, M50, rail to panel
2	4747-2171	Bug hole patch
3	4741-8218	Screw
4	4710-3621	Roll pin x4, M10
5	4723-8071	Velcro hook 2" x 2" square adhesive backed
6	4734B4121	Lift trim
	4747-8651	Foam tape, M4 (under lift trim)
7	1203-8831	Rivet x2, M25
8	1103E0608	Screw (to hold tent section in place)
9	4716C9101	Outer miter cover, M4
	4747-2558	Rivet x2, M50
10	4716B9111	Inner miter cover, M4
	4747-2558	Rivet x1, M50



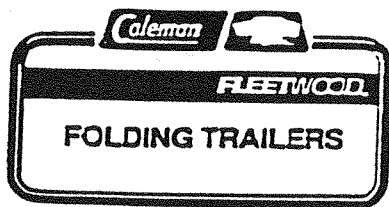


# PIONEER 1991 REPAIR PARTS

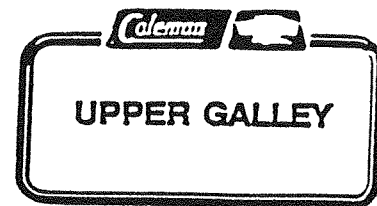


### UPPER GALLEY ASSEMBLIES - PIONEER SERIES

CODE	PART NO.	DESCRIPTION
1	4737J1131	Upper galley top, 2567, 2585
	4744E0941	Upper galley top, 2593
	4737-8478	Screw, top to cabinet
2	4734C0841	Towel rack, 22 1/4" (all)
	4716-052	Bolt x4
	1201B6958	Nut x4
3	4734A0161	Water pump
	1103E0608	Screw x4
4	4710D0301	Sink (all)
	4730D3151	Basket & strainer
	4714B0661	Crumb cup x1



# PIONEER 1991 REPAIR PARTS



Stove Assy Changes

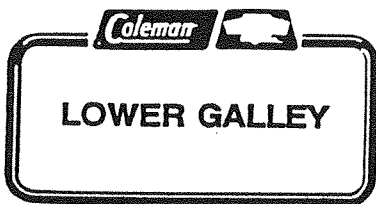
UPPER GALLEY ASSEMBLIES - PIONEER SERIES

See Page 21 for drawing details

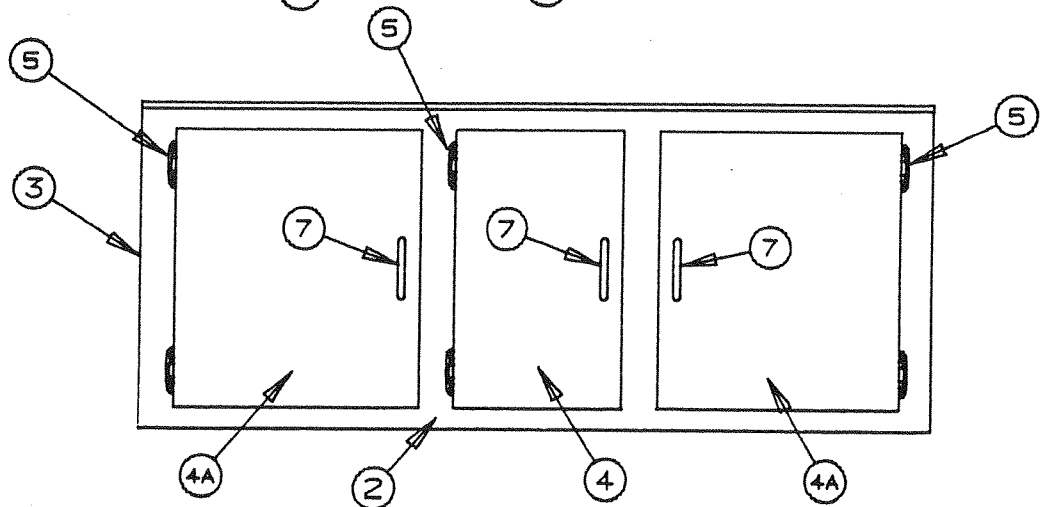
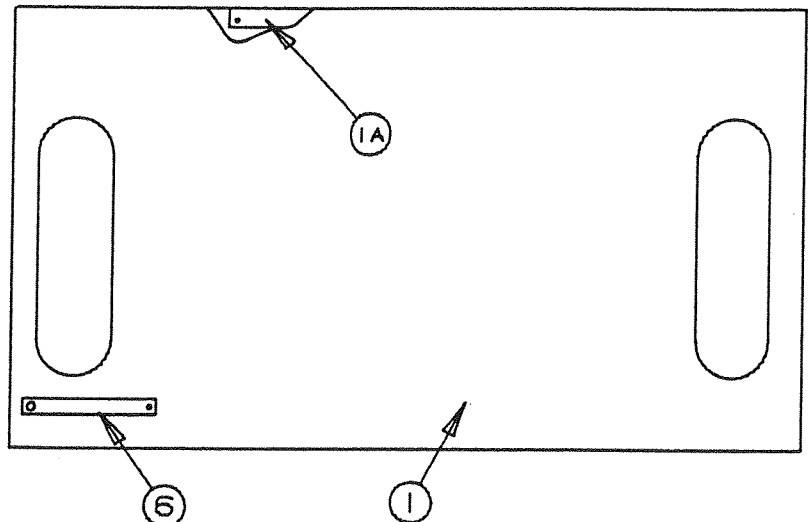
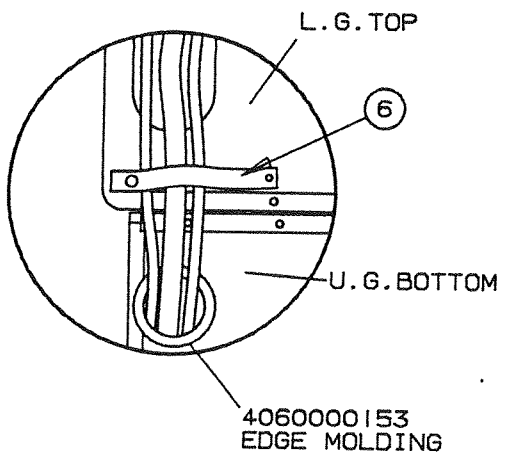
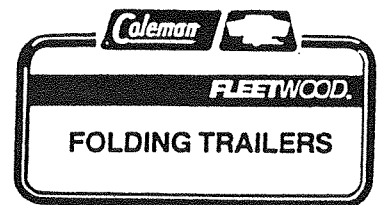
	CODE	PART NO.	DESCRIPTION
.744C2381 Cook top	5	4744B2381	Cook top stove 2567, 2585 - 2 burner
.744C2401 Cook top		4744B2401	Cook top stove 2593 - 3 burner
.739E2871 Stove box	6	4739C2871	Stove box 2567, 2585
.739G2931 Stove box		4739F2931	Stove box 2593
			(includes cook top, grates and clips)
741B6261 Stove cover	7	4741A6261	Stove cover 2567, 2585
741D6031 Stove cover		4741C6031	Stove cover 2593
	7A	4741E413	Stove fin
		4060000253	Edge molding 17"
		4741A440	Hinge x2
	8	4733-4018	Stove cover latch x1
		1203E248	Machine rivet x2
		4739A282	Hinge x2
		1203E248	Machine rivet x4
		1203-8678	Rivet x2
		4733-4028	Strike
		4737-8478	Screw x1
	9	1226D1538	Stove fin latch
		1203-8678	Rivet x2
	10	4744-9261	Chicken latch x1
		4734-234	Screw x2
		4744A927	Strike (on lower galley top)
		4738-3088	Screw
	11	4737A1061	Galley hinge 2567, 2585
		4744A0961	Galley hinge 2593
		4744-9608	Rivet (hinge to upper galley)
		1202B0268	Washer
		4716-075	Screw x8 (hinge to lower galley)
	12	4739H0361	Door panel (all)
	12A	4739C0501	Door pull (plastic)
		1022B081	Screw x2
	13	4741E056	Cabinet front, <del>left and right</del> (2567, 2585)
		4744D097	Cabinet <sup>SPACE</sup> spaces, 2593 only
		4749-404	Angle
		4749-4118	Screw
	14	4741D0511	Cabinet side, left and right (all)
	15	4734A0671	Drain trap, M2
		4739-1088	Hose clamp x2
	16	4714A277	Drain hose (sold/foot)
		4744-2678	Hose clamp
		4714-0021	Cap & strap, M2
	17	4744A5681	Latch bracket assy (all)
		4737-8478	Screw x2
	18	4739A0518	Hinge
		4749-4118	Screw (hinge to cabinet front and door panel.)
	19	4716-0881	Thumb screw & washer x2, M6
	20	4716-9721	Grate clip pkg, M8

Starting with  
Serial Numbers

- 567-1666
- 585-1416
- 593-1461



# PIONEER 1991 REPAIR PARTS

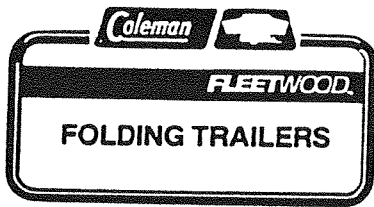


### LOWER GALLEY ASSEMBLIES - PIONEER SERIES

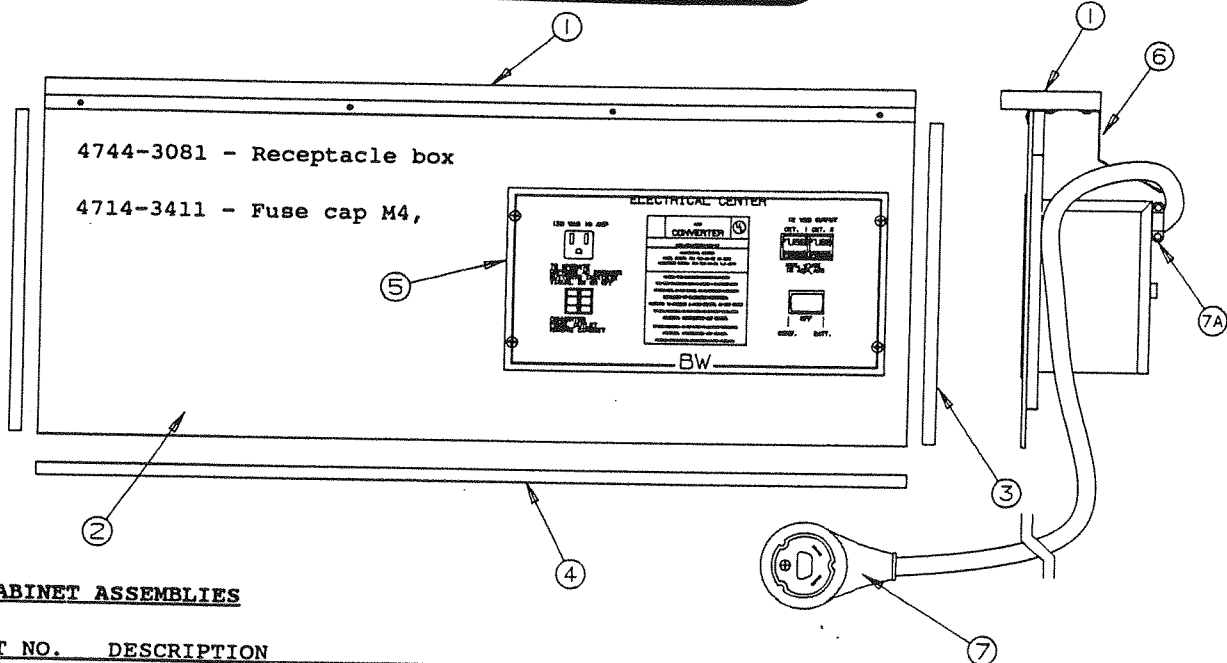
CODE	PART NO.	DESCRIPTION
1	4739G1951	Lower galley top 2567
	4744C3621	Lower galley top 2585
	4739G0121	Lower galley top 2593
	4749-404	Angle (hold top to front)
	4749-4108	Screw
1A	4741-221	Angle x2
	4716-075	Screw x4
2	4744B984	Cabinet front 2567
	4744B979	Cabinet front 2585
	4744B965	Cabinet front, 3 door, 2593
	4744B964	Cabinet front, 2 door, 2593
	4749-238	Cabinet trim x2 (to join fronts together 2593 only)

CODE	PART NO.	DESCRIPTION
3	4744B8571	Cabinet side left 2567 (only)
	4734-4358	Large bushing
	4739-1258	Small bushing
4	4749-8601	Door panel, 2567 x3, 2585 x1, 2593 x4
4A	4749-8581	Door panel 2585 x2
	4749-8621	Door panel 2593 x1 (not shown)
5	4745A2618	Hinge, spring loaded
	4749-4118	Screw
6	4724-5951	Tie down
	4716-075	Screw x1
	4730A3548	Stud with screw x1
7	4739C0501	Door pull (plastic)
	1022B081	Screw x2





# PIONEER 1991 REPAIR PARTS



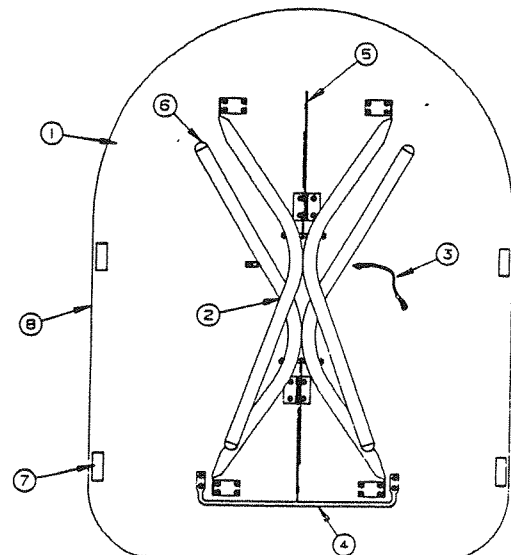
### CONVERTER CABINET ASSEMBLIES

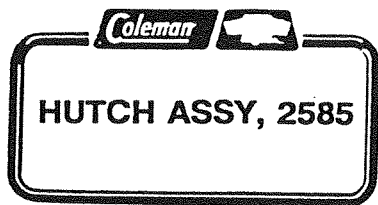
CODE	PART NO.	DESCRIPTION
1	4744D0231	Converter cabinet top 2567, 2593
	4749-1041	Converter cabinet top 2585
	4744A024	Panel angle 2567, 2593
	4749-103	Panel angle 2585
	1103B0806	Screw, (angle to cabinet top) x4
	4738-3088	Screw, (angle to front panel) x4
2	4714D4501	Universal wall panel (48 x 18 1/8") Classic Oak
3	4741C8971	Corner divider x2
4	4741B8961	Toe molding
5	4741B5241	Converter, (all) 6 AMP BW
	4737-8488	Screw x4

CODE	PART NO.	DESCRIPTION
6	4744-235	Converter baffle x1
	1103B0806	Screw x2
7	4744-3101	Power cord, 28 ft
	1201-8658	Clamp
	4737-8488	Screw x1
7A	1216-457	Strain relief 3/4" x 1"
8	4735B6901	Heater harness
9	4735B6731	Extension harness 2567
	4744-883	Extension harness 2585
	4744-564	Extension harness 2593
10	1216-451	Strain relief 3/8" x 2" "Romex" wire 14 AWG (Purchase locally)

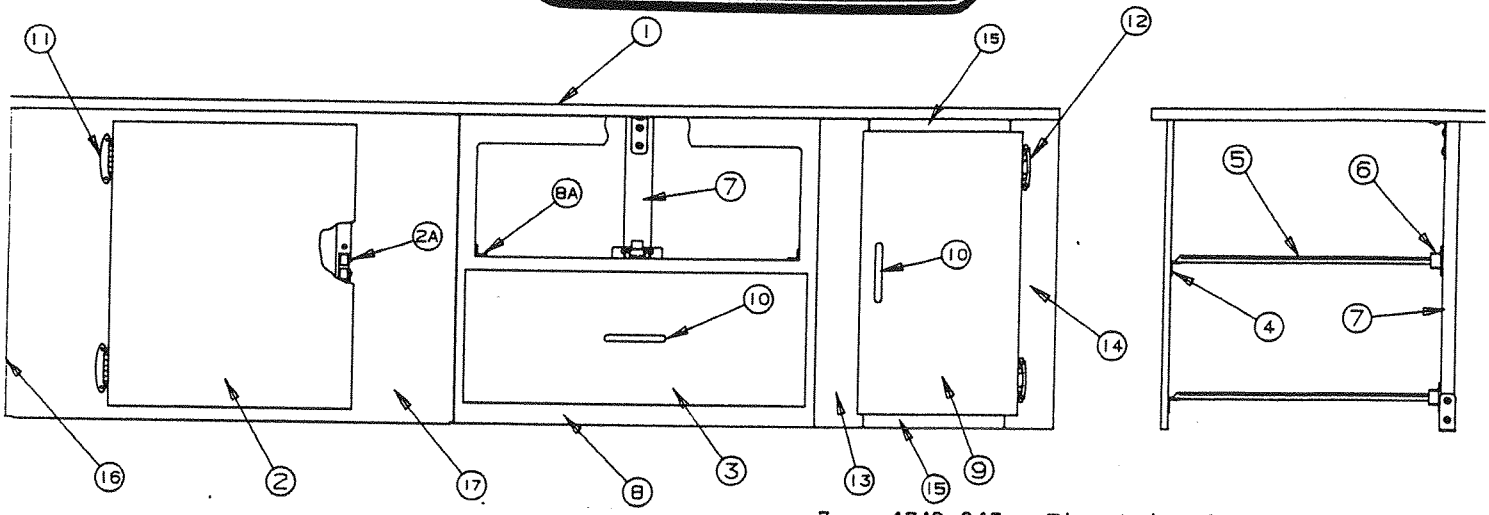
### DINETTE TABLE ASSEMBLY

CODE	PART NO.	DESCRIPTION
1	4716F1511	Table top 2567
	4716-4521	Table top 2593
	4749-1011	Table top 2585
2	4745-5271	Dinette table leg assy (includes hardware to install legs M2 to table top)
3	4720B5951	Table strap assy, M4
4	4734C0841	Towel rack, 22 1/4"
	4737-8488	Screw, rack to top
5	4720A1501	Lock brace package
	4737-8488	Screw, brace to top
6	4720C3928	Table leg cap
7	4724D2631	Velcro hook
	4724E263	Velcro loop (located on the seat frame)
8	4716-178	T molding (sold/foot)





# PIONEER 1991 REPAIR PARTS



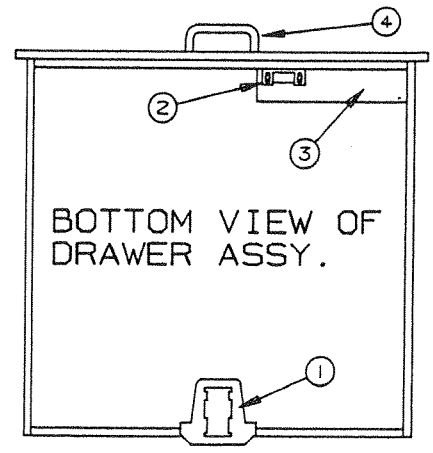
**4749B535 HUTCH ASSY COMPLETE - 2585**

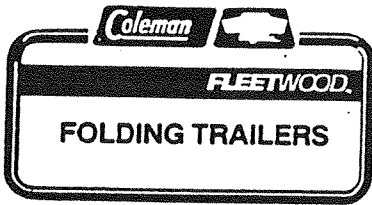
CODE	PART NO.	DESCRIPTION
1	4749-0841	Cabinet top
	4741-221	Angle x3
	4737-8478	Screw, (top to cabinet)
2	4739G0371	Door panel
2A	4744-568	Latch support angle
	4733A0601	Rivet, x4 M25
3	4749-6371	Drawer assy x2
4	4749-867	Drawer slide mount angle x2
	4749-4108	Screw x2
5	4749-835	Drawer guide x2
6	4749-836	Rear socket x2 (plastic)
	4737-848	Screw x2

7	4749-947	Fir strip x1
	4734A385	Angle x3
	4737-848	Screw
8	4749-941	Cabinet front
8A	4749-839	Drawer slide track (plastic)
9	4749A089	Door panel
10	4739C0501	Door pull (plastic)
	1022B081	Screw x2
11	4739A0518	Hinge x2
	1203-8951	Rivet x4, M25
12	4745A2618	Hinge, spring loaded
	1203-8951	Rivet x4, M25
13	4749A087	Spacer
14	4749A086	Spacer
15	4747A800	Trim top & bottom
16	4749-088	Cabinet side x1
17	4749-085	Cabinet front

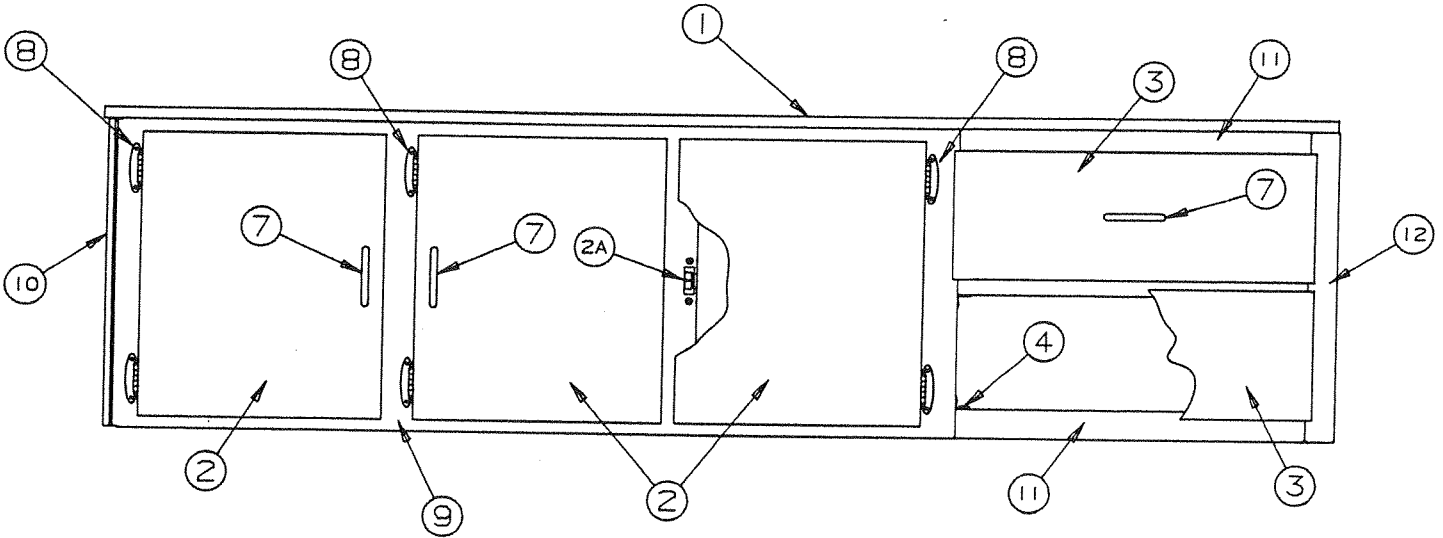
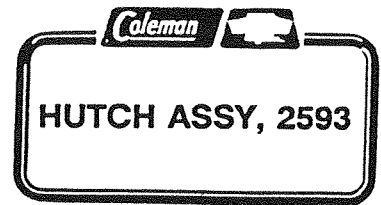
**DRAWER ASSEMBLY COMPONENT PARTS**

CODE	PART NO.	DESCRIPTION
1	4749-837	Back plate x1
	4737-8478	Screw x2
2	4749-838	Drawer latch x1
	4738-3088	Screw x2
	1202B0268	Washer x2
3	4744-348	Wood strip
4	4739C0501	Door pull (plastic)
	1022B081	Screw x2



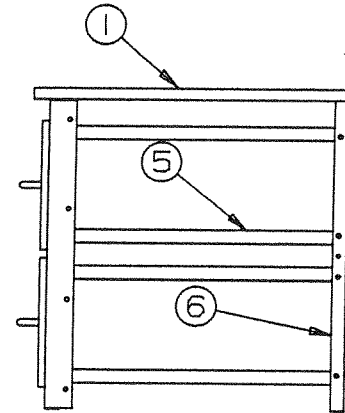


# PIONEER 1991 REPAIR PARTS

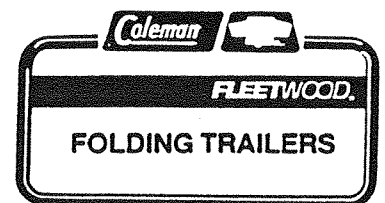
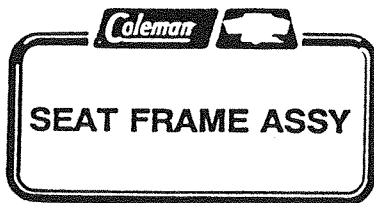


### 4744E580 HUTCH ASSEMBLY COMPLETE - 2593

CODE	PART NO.	DESCRIPTION
1	4716C1831	Cabinet top
	4741-221	Angle x3
	4737-8478	Screw, (top to cabinet)
2	4739G0371	Door panel x3
2A	4744-568	Latch support angle
	4733A0601	Rivet x4, M25
3	4749-6111	Drawer assy x2
4	1203-9258	Accordion rivet (plastic)
	1202E0408	Washer
5	4744-185	Drawer brace x8
6	4744A184	Rear brace x2
	1203-8641	Rivet x8, M50
7	4739C0501	Door pull (plastic)
	1022B081	Screw x2
8	4739A0518	Hinge x2
	1203-8951	Rivet x4, M25
9	4744C186	Cabinet front x1
10	4744C190	Cabinet side x1
11	4744C188	Spacer x2
12	4744C187	Spacer x1



NOTE: Cabinet door panels are packaged less handles and hinges, predrilled to accept hardware from previous door assembly.



SEAT FRAME ASSEMBLIES

<u>Part No.</u>	<u>Description</u>
4741F573	Seat assy (Curbside) 2567 Columbia
4733J5828	Seat assy (Roadside) 2567 Columbia
4749-541	Seat assy (Left) 2585 Newport
4749B542	Seat assy (Right) 2585 Newport
4744F547	Seat assy (Left) 2593 Chesapeake
4744G5468	Seat assy (Right) 2593 Chesapeake

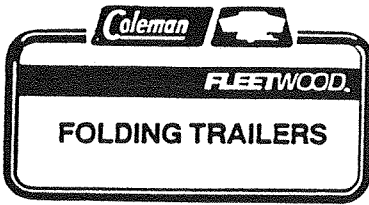
<u>Code</u>	<u>Part No.</u>	<u>Description</u>
1	4744-6961	Support arm assy
	4733A0601	Rivet x2, M25
2	4745-296	Cushion support 2593, 2567
	4749-093	Cushion support 2585
3	4745-299	Seat cushion support (all)
4	4749-092	Seat support x2, 2585
	4733G032	Seat support 2593, 2567
	4739D214	Seat support x1 2567 (Curbside)
5	4745-298	Seat bracket (left) (all)
6	4745-297	Seat bracket (right) (all)
7	4744-971	Table rest, 2585, 2593
	4739C216	Table rest, 2567 Curbside
	4741C043	Table rest, 2567 Roadside
8	4716E2151	Seat extension top (2567 only)
	4737-8478	Screw x9
9	4744A9701	Seat end, left 2593 only
	4749-0961	Seat end, left 2585 only
	4745-295	Bracket x2
	4737-8478	Screw
10	4747A8431	Seat end, right 2593
	4749-0971	Seat end, right 2585
11	4747B8421	Door panel 2593, 2585
12	4744E1931	Seat gazoodi 2585, 2593 only
13	4716-178	T molding 3/4" (sold/foot)
14	4739C0501	Door pull (plastic)
	1022B081	Screw x2
15	4745A2618	Hinge, spring loaded x2
	4749-4118	Screw

CUSHION AND BACKREST ASSEMBLIES

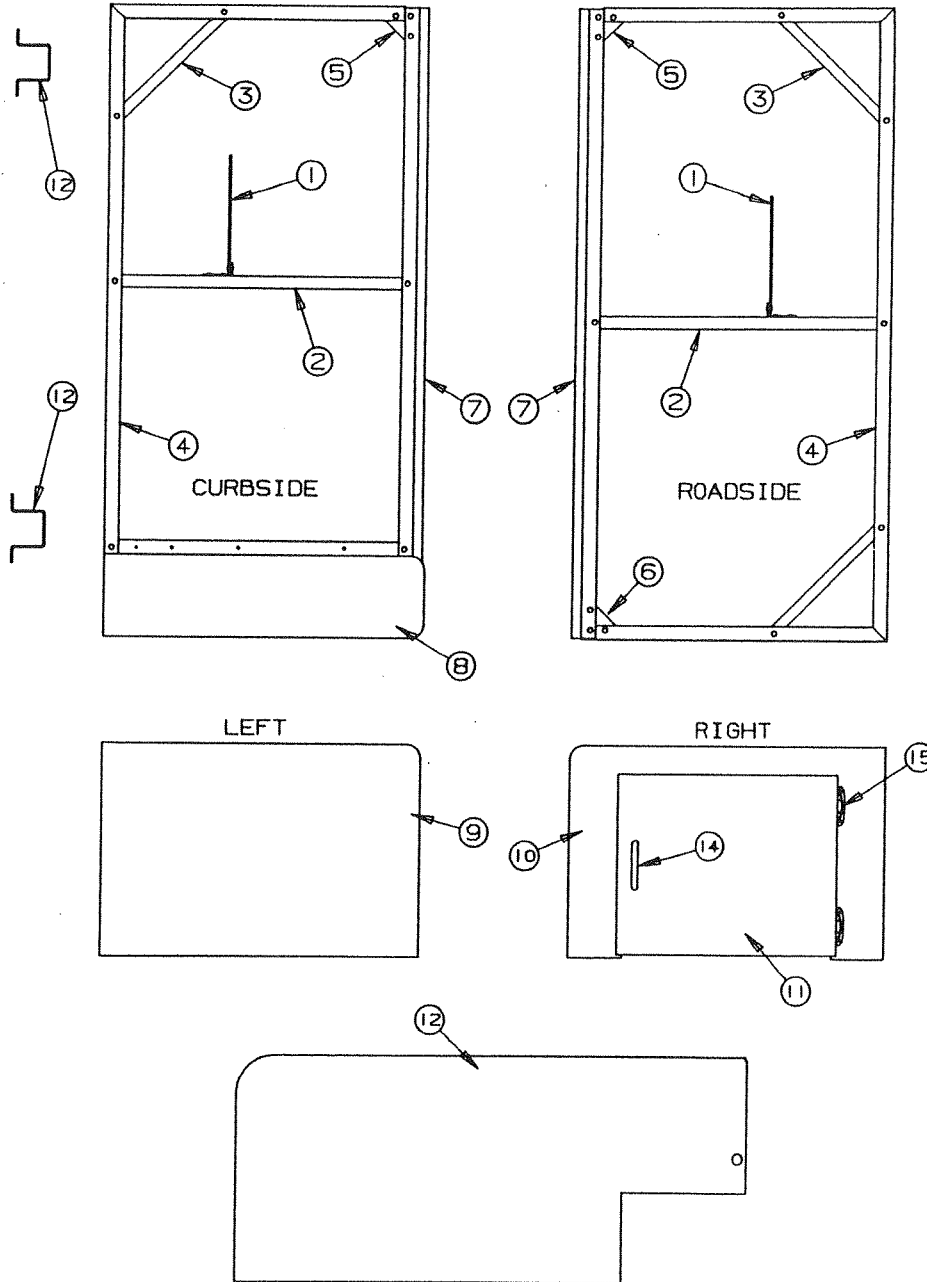
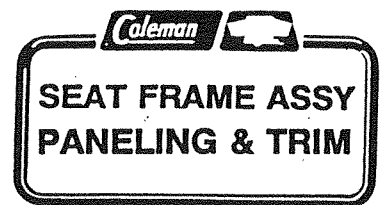
<u>Pioneer Series</u>	<u>Cushion</u>		<u>Backrest</u>	
	<u>Assembly</u>	<u>Cover</u>	<u>Assembly</u>	<u>Cover</u>
2567 Columbia	4744E6021	4714J7351	4744E6051	4714J7371
2585 Newport	4749B5441	4716B5441	4749B5451	4716B5451
2593 Chesapeake	4744E6261	4714H9301	4744H5421	4714G9311

REFERENCE DIMENSIONS

<u>Model</u>	<u>Cushion</u>	<u>Backrest</u>
2567	39 x 19 1/2 x 3	39 x 16 3/4 x 3
2585	39 x 15 1/8 x 3	39 x 13 9/16 x 3
2593	39 x 19 1/2 x 3	39 x 16 3/4 x 3

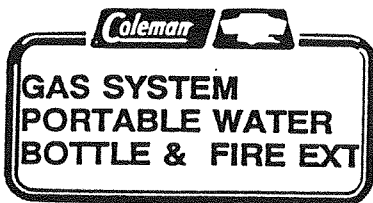


# PIONEER 1991 REPAIR PARTS

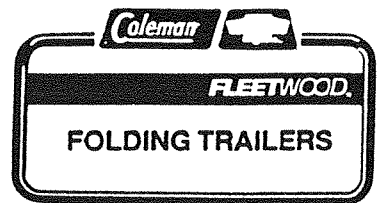


**PANELING AND TRIM**

- 4714D4501 Universal wall panel  
(48" x 18 1/8") Classic Oak
- 4714C2911 Corner divider  
(17 5/8" lengths) M5
- 4714C2921 Panel divider  
(17 5/8" lengths) M5
- 4714C2931 Toe molding  
(48" lengths) M2

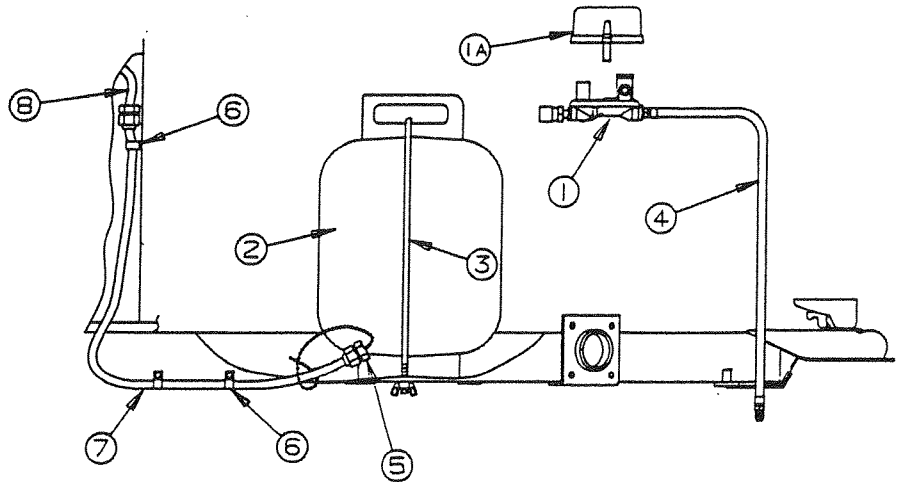


# PIONEER 1991 REPAIR PARTS



**GAS SYSTEMS - 2567, 2593, 2585**

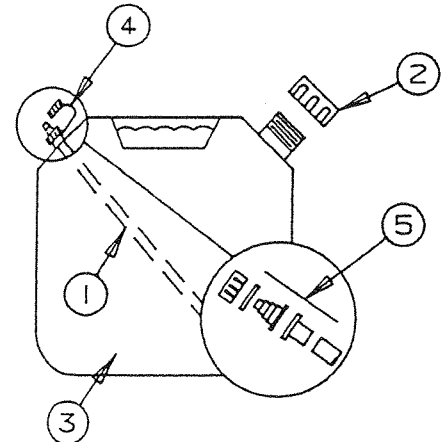
CODE	PART NO.	DESCRIPTION
1	4739A1291	Regulator
1A	4734B3781	Regulator cover
2	4720H5928	Gas bottle
3	4733F6281	Gas bottle mtg kit
4	4733A3991	Flexible gas hose 1/4" I.D. - 32" long
5	4733A3888	Plastic cap w/chain
6	1201-8708	3/8" Tube clamp, rubber-coated, x2
	4733-0601	Rivet x1, M25
	4737-8488	Screw x2
7	4714-0711	3/8" O.D. Copper gas line, 100" length (includes 1 bushing and 2 flare nuts)
	1215-2418	Flared nut
	4747-627	Ground clamp assy
8	4730A3431	Flexible gas hose 1/4" - 32" long



## PORTABLE WATER SYSTEM - PIONEER SERIES

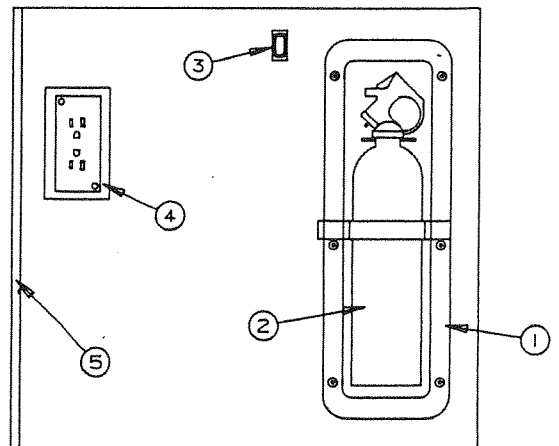
**Models 2567, 2585, 2593**

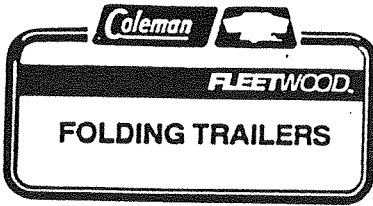
CODE	PART NO.	DESCRIPTION
1	4714A0671	Suction stem
2	4714-0231	Large white cap
3	4735-2131	Water bottle complete
	4735C0988	Water decal
4	4714-0221	Small cap with tie-on
5	4714-0241	Barb stem and collar



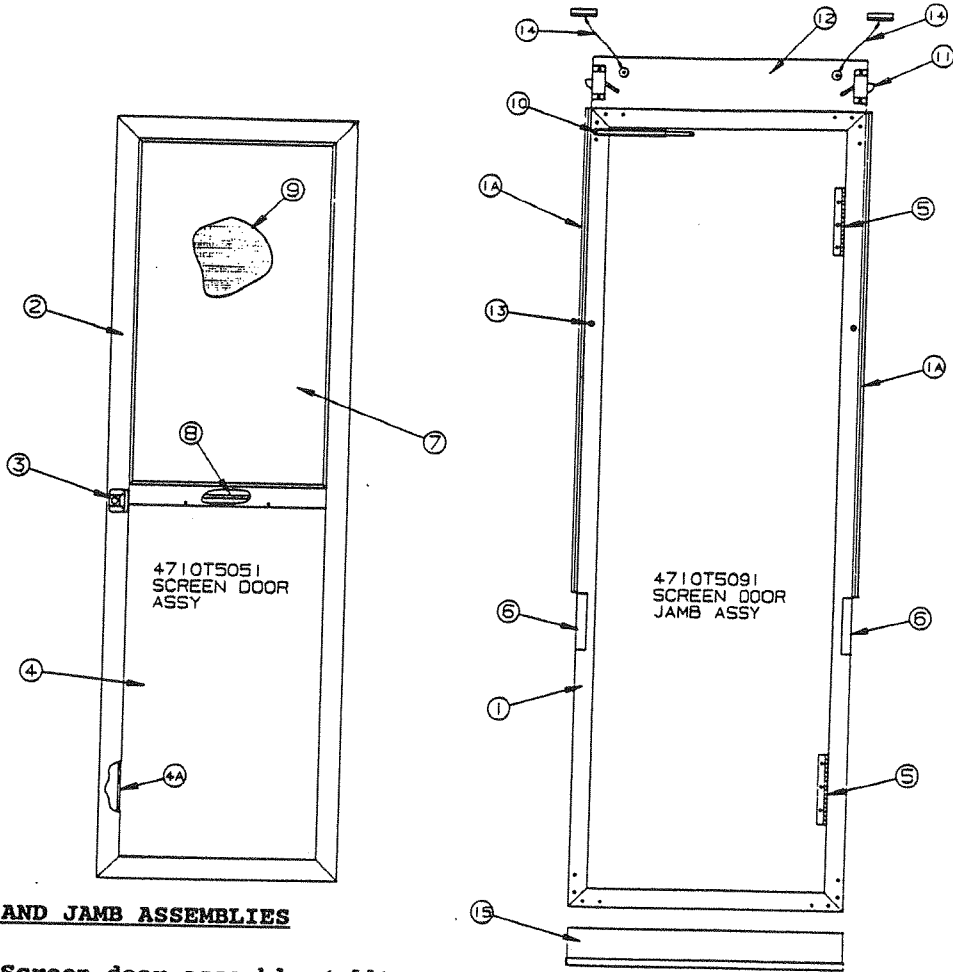
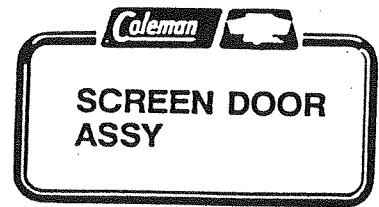
## FIRE EXTINGUISHER

CODE	PART NO.	DESCRIPTION
1	4737B4198	Recessed mount
	4734-1861	Rivet x6, M25
2	4737A5558	Fire extinguisher
3	4733B4981	Rocker switch (access door)
4	4710B3551	15 AMP Receptacle cover
	4744-3081	Receptacle box
5	4714C2921	Panel divider





# PIONEER 1991 REPAIR PARTS

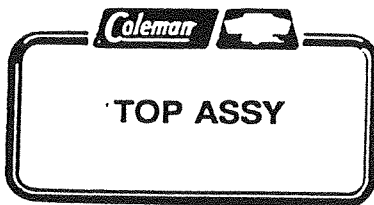


**SCREEN DOOR AND JAMB ASSEMBLIES**

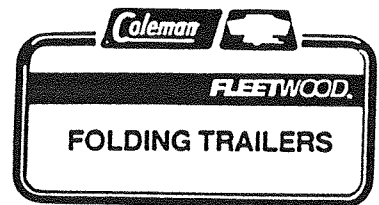
- 4710T5051 Screen door assembly (all)
- 4710T5091 Screen door jamb assembly (all)

CODE	PART NO.	DESCRIPTION
1	4710T5091	Door jamb assy
1A	4710G4101	Door seal, 46" long
	4734B1861	Rivet x2, M25
	4741B9861	Rivet x8, M25
2	4710T5051	Screen door assy
3	4733C4791	Latch assy pkg (washer x2 and strike provided in pkg)
	4741B9861	Rivet x2, M25 (rivet strike in place)
4	4737B8771	Kick plate
4A	4060000085	Grey tube seal (sold/ft)
5	4720C3601	Screen door hinge x2
	1203-8631	Rivet x3, M50
6	4350000005	Velcro hook 3/4" grey
7	4710D3781	Sliding window pane x1
8	4749-8861	Drip seal 18 3/8" long

9	3750000048	Screen 32 3/8" x 18 1/2" (sold /foot)
10	4731A8201	Spring pkg (spring, rivets & transparent tube included in package)
11	4741-8658	Sash lock x2
	4734B1861	Rivet x4, M25
12	4741-883	Top bracket x1
	1203-8651	Rivet x6, M50
13	4730A3548	Stud with screw x2
14	4734C5211	Screen door cable x2, M6
	1203-8831	Rivet x2
	4733-3398	Plastic bushing x2
	1202B2698	Washer x2
15	4741D6221	Screen door support assy
	4060000399	Rubber seal, black
	1114B1012	Screw x4 (screw support to floor)



# PIONEER 1991 REPAIR PARTS



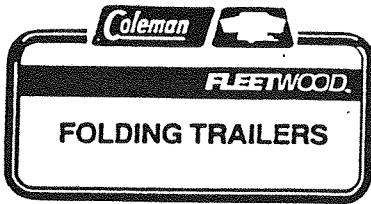
TOP ASSEMBLIES

PIONEER SERIES - (COLONIAL WHITE)

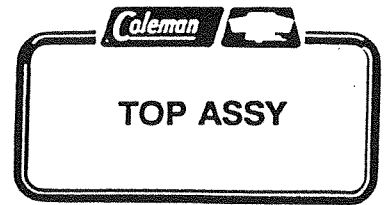
- 4739E6641 - Top assembly 2567, Columbia
- 4744C5231 - Top assembly 2585, Newport
- 4744C5241 - Top assembly 2593, Chesapeake

<u>CODE</u>	<u>PART NO.</u>	<u>DESCRIPTION</u>
1	4741B1981	Top corner RR/LF
	4741B1991	Top corner LR/RF
	4741B9368	Screw x6 colonial white
	4350000058	Saturated foam tape
	4737B2838	Caulking, colonial white
2	4741A2319	Center seam extrusion, (all) (must cut to size)
	4350000076	Live rubber tape
	4350000058	Saturated foam tape
	4741-3508	Hex screw #8 x 1/2"
	4060000096	Center seam, vinyl screw cover
3	4741B9368	Screw, colonial white
4	4728B2081	Canopy track (all)
	4741B9368	Screw, colonial white
	4350000175	Live rubber tape
	4737B2838	Caulking, colonial white
5	4741B268	Top seal extrusion, x2 (side) 2567
	4741B3141	Top seal extrusion, x2 (side) 2585
	4741B188	Top seal extrusion, x2 (side) 2593
	1103E1018	Screw
	4741B9368	Screw, colonial white
6	4741B213	Top seal extrusion (front/rear) (all)
7	4060000399	Rubber top seal (black) (all)
8	4715B2091	Top strike x4, M4
	4350000029	Putty tape (gray)
	4744-2468	Screw
	1201B6958	Nut
	4739-4198	Screw cap
9	4749-5571	Screen door bracket
	4741B9368	Screw x3, colonial white
	4749-2138	Snap button
	1203-8641	Rivet, x1 M50
10	4741-8841	Screen door retaining bracket x2
	4733-4138	Screw
	4350000005	Velcro hook, 3/4" gray
11	4350000022	Foam tape
12	4734C5211	Screen door cable assy x2, M6
13	4733E4711	Screen door track x2
	4744-4611	Rivet, M25
	1203-9258	Plastic accordion rivet, x4
14	4723A5061	Screen door safety strap x2
15	4730A3548	Stud with screw x2
16	4737-3211	Rubber button (white) x2, M8
17	4350000003	Cloud vinyl tape
18	4737F5911	Dome light complete
	4714F0891	Dome light lens
	1103B1028	Screw x4
	4734-2388	Wire connector

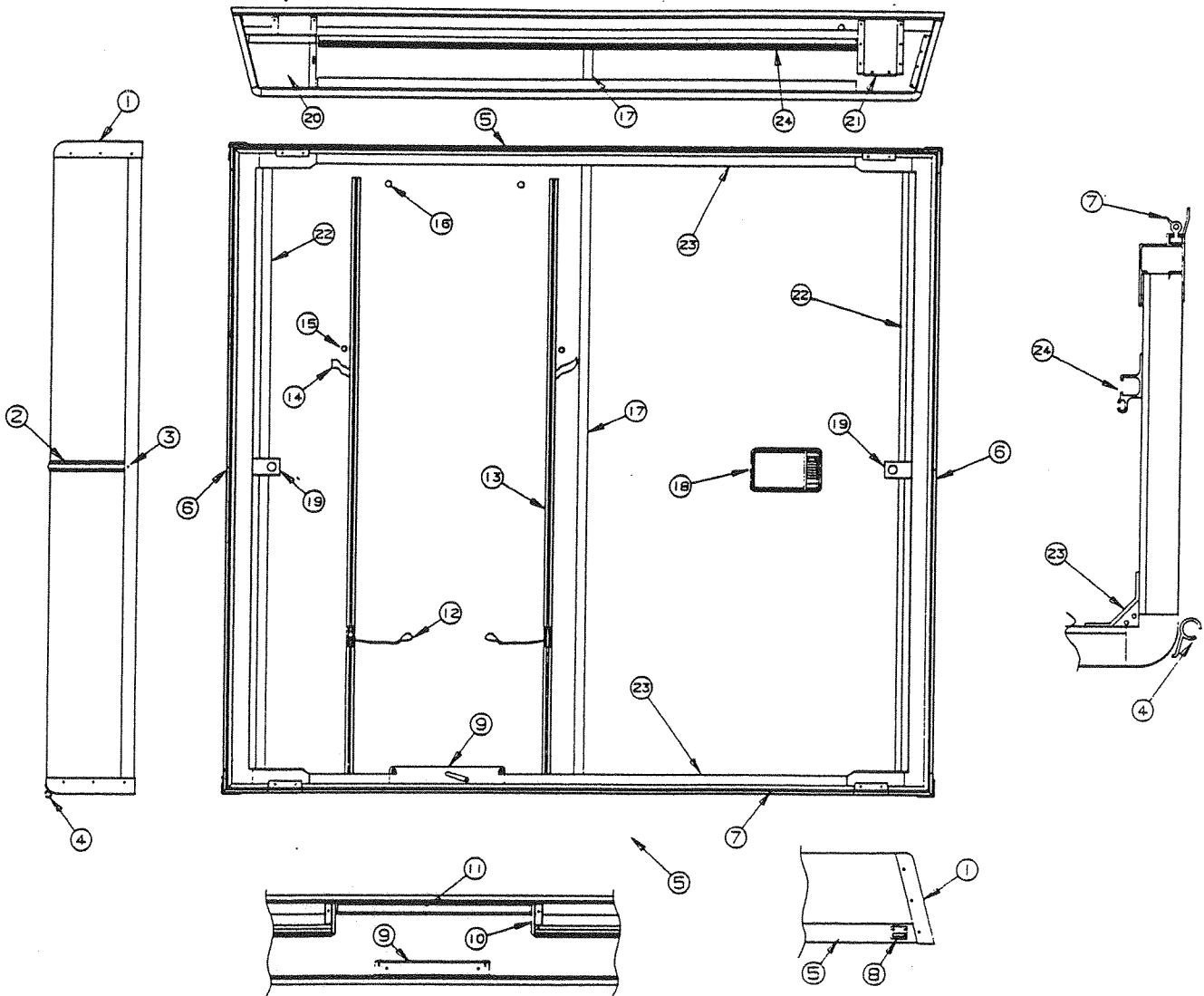




# PIONEER 1991 REPAIR PARTS



19	4741C1131	Tent support bracket x2
	4741B9368	Screw
20	4741D3541	Lift cover CSR/RSR
	4741E1281	Lift cover RSF/CSR
	4716-077	Screw
	4741C3558	Hole plug x2
	4350000005	Velcro hook, 3/4" x 8 3/4"
	4350000022	Foam tape (behind lift cover)
21	4741B5431	Lift pocket x4
	1201B6378	Lock nut x8
22	4741D214	Cove front/rear
	4716B9658	Rivet
23	4741E186	Side cove (all) x2 (must cut to size)
	4716B9658	Rivet
24	4741A886	Tent extrusion (must cut to size)
	1103E1018	Screw



2594

# Arcadia

1991  
Pioneer  
Supplement

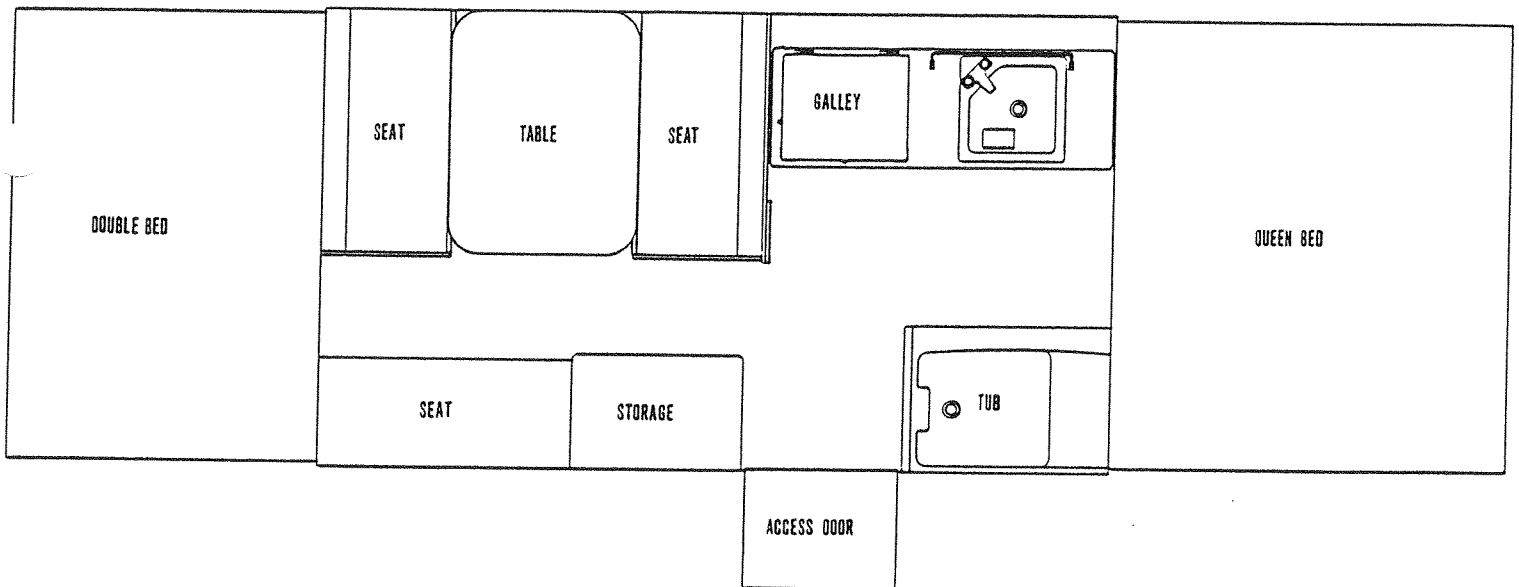


**FLEETWOOD.**

*Folding Trailers Inc.*

Due to late production of the 1991 ARCADIA Pioneer Series Folding Trailer the Pioneer Repair Parts List was printed and shipped before production of the ARCADIA! Please insert the supplement pages for the ARCADIA in your 1991 Pioneer Series Parts List Catalog.

For all other parts, please refer to the appropriate page in your 1991 Pioneer Series Catalog No. CT5K.



# Arcadia

1991  
Pioneer  
Supplement



**FLEETWOOD**

Folding Trailers Inc.

1991 MODELS

<u>Model</u>	<u>B/M (Blind)</u>	<u>Size</u>
<b>Pioneer Series</b>		
2594 Arcadia	4735G794	11'

Note:

Body color	Colonial White
Top color	Colonial White
Woodgrain	Classic Oak
Countertop	Gray Linen
Tent	Evolution - Grey
	Vinyl Outside - Pewter
	Vinyl Inside - White

# Arcadia

1991  
Pioneer  
Supplement



**FLEETWOOD**

Folding Trailers Inc.

DESCRIPTION	PAGE NUMBER
Access door assembly . . . . .	See Page 13, Pioneer Series
Axle assy and components . . . . .	See Page 7, Pioneer Series
Backrest assy and covers . . . . .	1A Arcadia Supplement
Bed assemblies . . . . .	See Page 16, Pioneer Series
Bed extensions . . . . .	See Page 16, Pioneer Series Model 2593
Body panel front assy . . . . .	See Page 9, Pioneer Series
Body panel rear assy . . . . .	See Page 10, Pioneer Series
Body panel right rear (curbside) . . . . .	11A Arcadia Supplement
Body panel right front (curbside) . . . . .	11A Arcadia Supplement
Body panel left side (roadside) . . . . .	11A Arcadia Supplement
Converter and components . . . . .	5A Arcadia Supplement
Cooler . . . . .	See Page 4, Pioneer Series
Crank and sprocket assembly . . . . .	See Page 5, Pioneer Series
Crank Handle . . . . .	See Page 3, 13, Pioneer Series
Curtains . . . . .	See Page 18, Pioneer Series Model 2593
Cushions and covers . . . . .	1A Arcadia Supplement
Electric brakes . . . . .	See Page 8, Pioneer Series
Evolution III assemblies . . . . .	11A Arcadia Supplement
Fire Extinguisher . . . . .	See Page 29, Pioneer Series
Frame assy and components . . . . .	See Page 3, 4, Pioneer Series
Gas system . . . . .	See Page 29, Pioneer Series
Lift trim & miter covers . . . . .	See Page 20, Pioneer Series
Lift assemblies . . . . .	See Page 3, 5, Pioneer Series
Lower galley assembly . . . . .	4A Arcadia Supplement
Mattress assemblies . . . . .	See Page 17, Pioneer Series Model 2593
Parts package . . . . .	See Page 4, Pioneer Series
Screen door assy and components . . . . .	See Page 30, Pioneer Series
Seat frame and components . . . . .	6A Arcadia Supplement
Spring attachments . . . . .	See Page 7, Pioneer Series Model 2593
Table assy and components . . . . .	9A Arcadia Supplement
Tent support assy . . . . .	See Page 20, Pioneer Series
Tire & rim . . . . .	See Page 3, Pioneer Series, Model 2593
Top Assembly . . . . .	See Page 31, 32, Pioneer Series, Model 2593
Top Assembly . . . . .	Also See Page 10A Miscellaneous Parts
Upper galley assembly . . . . .	3A Arcadia Supplement
Water tank . . . . .	2A Arcadia Supplement
Water system . . . . .	2A Arcadia Supplement
Whiffletree assembly . . . . .	See Page 5, Pioneer Series, Model 2593
Floor plan . . . . .	1A Arcadia Supplement
Water heater . . . . .	2A Arcadia Supplement
Electric water pump . . . . .	2A Arcadia Supplement
Shower cabinet assy . . . . .	8A Arcadia Supplement
Bath tub . . . . .	8A Arcadia Supplement
Shower curtain . . . . .	8A Arcadia Supplement
Shower curtain rod assy . . . . .	9A Arcadia Supplement

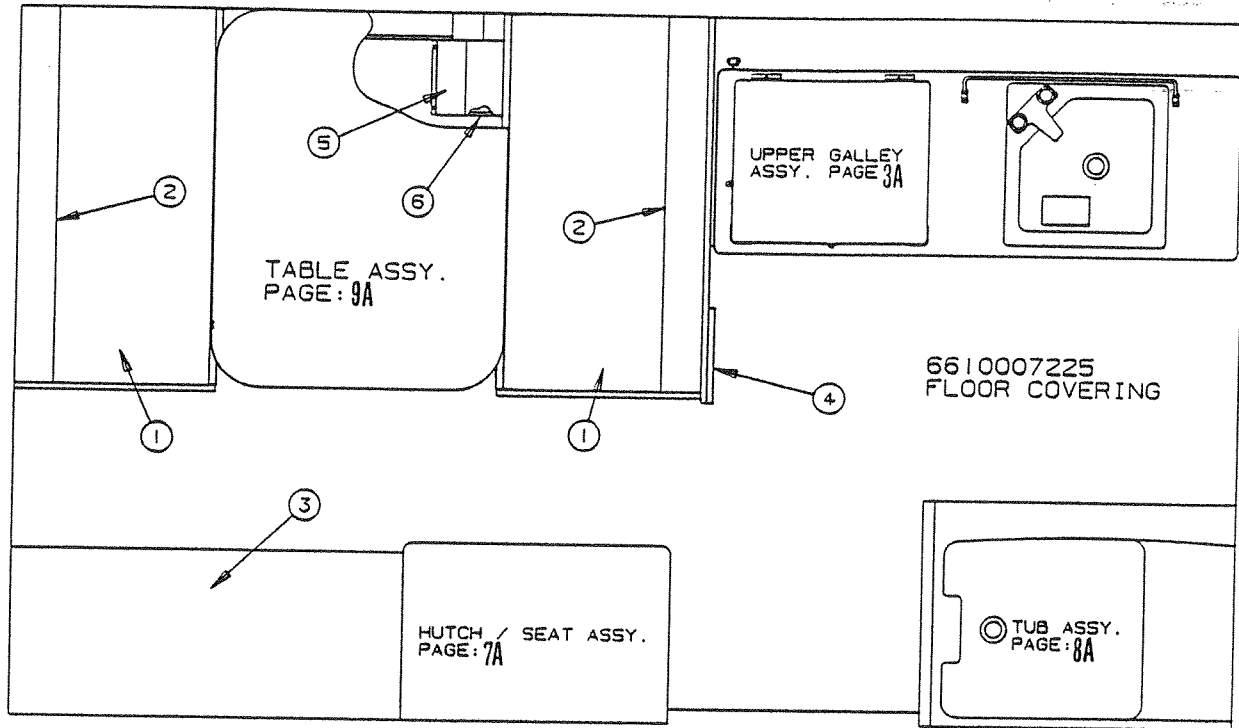
# Arcadia

1991  
Pioneer  
Supplement



**FLEETWOOD.**

Folding Trailers Inc.



**2594 FLOOR PLAN, CUSHION & BACKREST**

CODE	PART NO.	DESCRIPTION
1	4748-5491	Cushion assy x2
	4716-5491	Cushion cover
2	4744H5421	Backrest assy x2
	4714G9311	Backrest cover
3	4748-5501	Hutch seat cushion assy
	4716-5501	Hutch seat cushion cover
4	4748-8191	Galley support board
	1103E1018	Screw x2
5	4748-803	Wheel well cover
	4749-4108	Screw x2
	4741B9658	Rivet x2, M25
6	4748-804	Wheel well cover, front (wood)

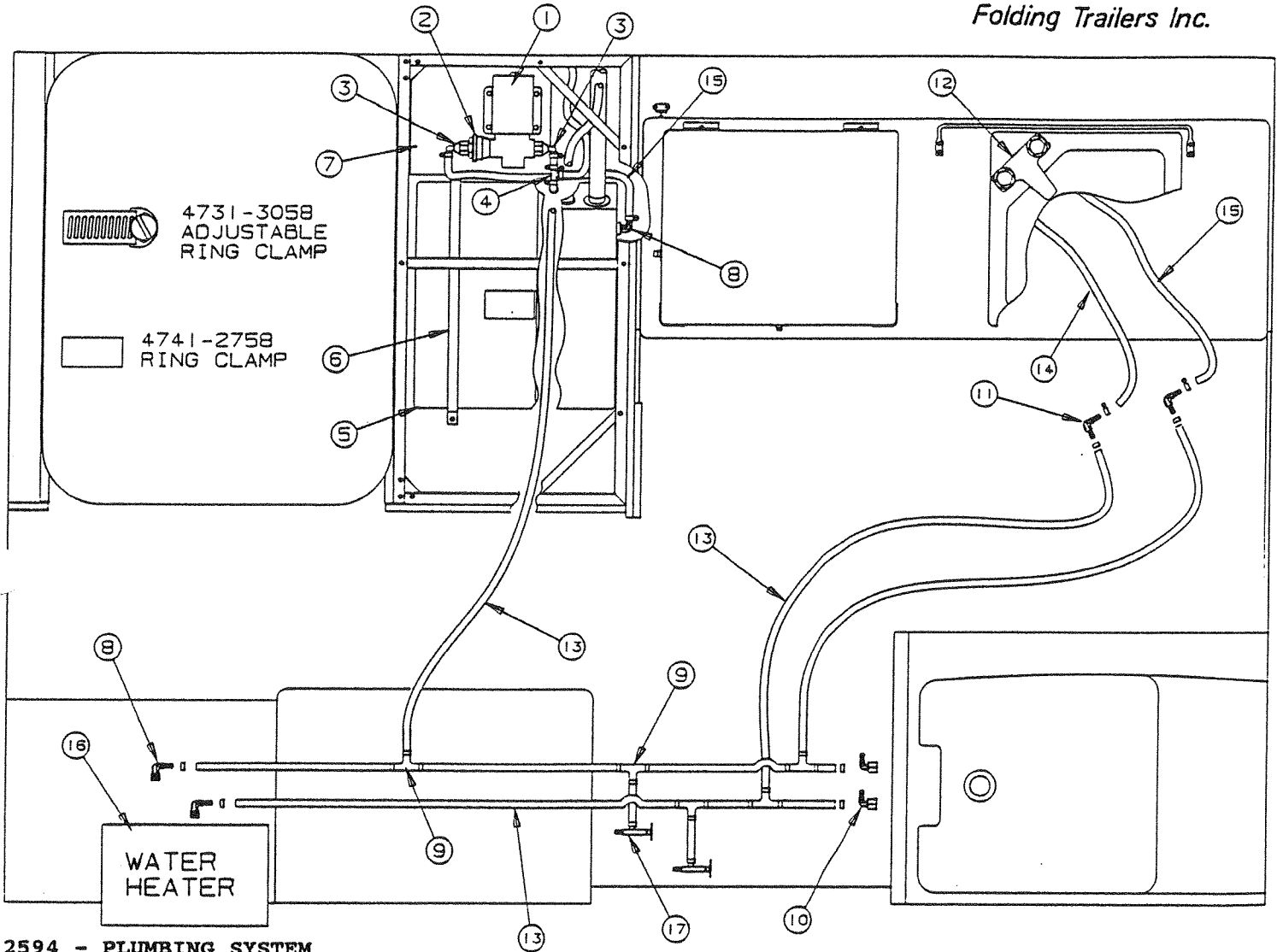
# Arcadia

1991  
Pioneer  
Supplement



**FLEETWOOD.**

Folding Trailers Inc.



**2594 - PLUMBING SYSTEM**

CODE	PART NO.	DESCRIPTION
1	4741B5571	Electric water pump
2	4747A8311	Filter x1
3	4741-9068	Swivel elbow x2
4	1218-1508	Barbed tee x1
5	4733G1411	Water tank
	4732A4561	Hose adapter (not shown) (located bottom of tank)
	4714-038	High pressure hose
	4741A2368	Drain tee
6	4400075001	Strap x2
7	4749-615	Pump shelf assy
8	4741-2378	Elbow x3
9	4741-2388	Barbed tee x4

10	4741-2351	Swivel elbow x2
11	4741-2398	Barbed elbow x2
12	4745A2741	Faucet
13	4060050001	3/8" ID rigid tubing grey
14	4714-338	High pressure hose (hot water) 3/8"
15	4714-038	High pressure hose (cold water) 3/8"
16	4741-5531	Water heater
17	4741A2368	Drain tee x2

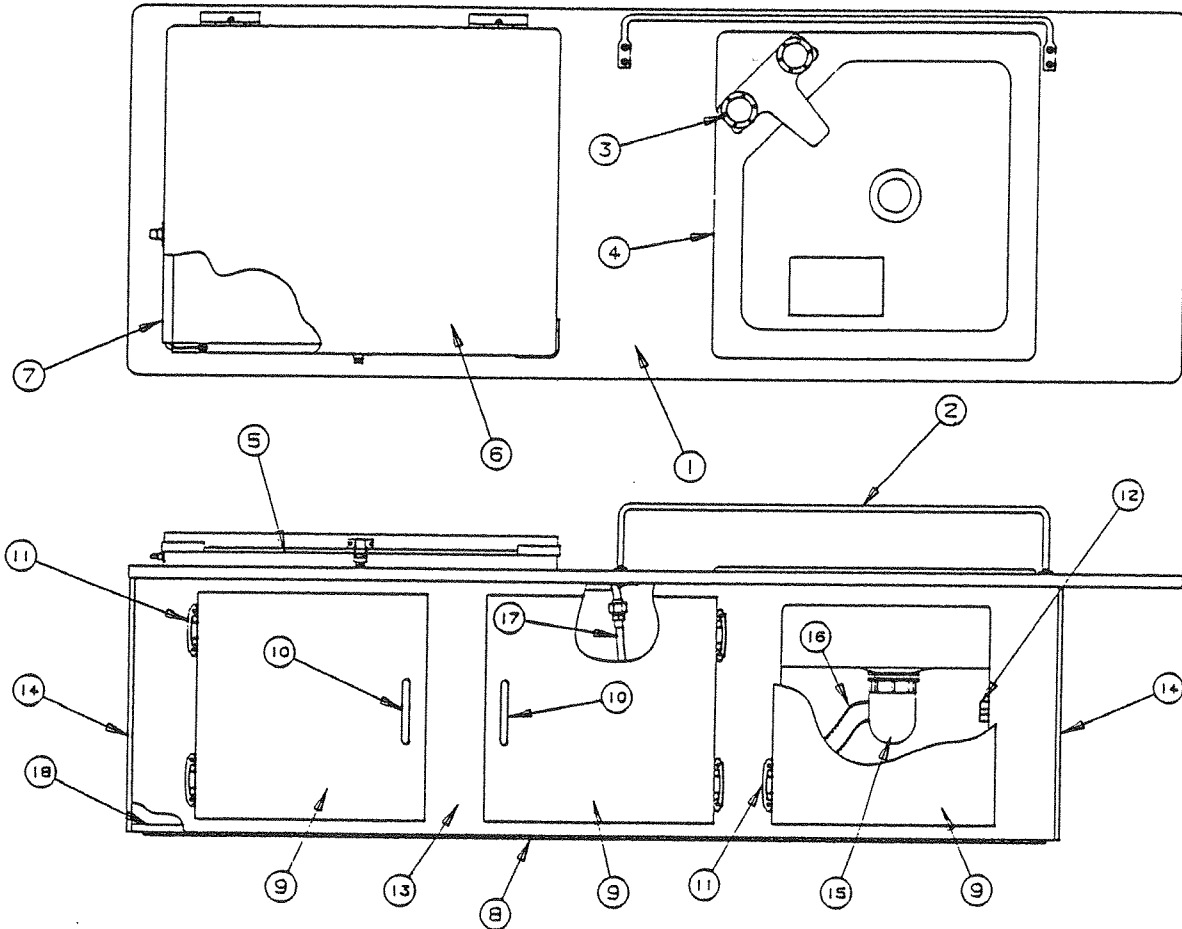
# Arcadia

1991  
Pioneer  
Supplement



**FLEETWOOD.**

Folding Trailers Inc.



**UPPER GALLEY ASSEMBLIES - 2594**

SEE PIONEER PARTS LISTS FOR MISCELLANEOUS REPAIR PARTS:

CODE	PART NO.	DESCRIPTION
1	4748-4261	Upper Galley top, 2594
	4749-404	Angle bracket x6
	4737-8478	Screw
2	4748-4211	Towel rack x1
	4716-052	Bolt x4
	1201B6958	Nut x4
3	4745A2741	Faucet
	4716-2341	Faucet nut, barb & seal pkg
4	4745-2801	Sink
	435000029	Putty tape (sold per foot)
	4730D3151	Basket & strainer
	4714B0661	Crumb cup
5	4744C2401	Cook top stove, 3 burner
6	4741D6031	Stove cover
7	4739G2931	Stove box

8	4744A0961	Galley hinge
	4744-4608	Rivet (hinge to upper galley bottom)
	1202B0268	Washer
	4716-075	Screw x8 (hinge to lower galley top)
9	4739H0361	Door panel
10	4739C0501	Door pull (plastic)
	1022B081	Screw x2
11	4739A0518	Hinge x2
	4749-4118	Screw x4
12	4744A5681	Latch bracket assy
	4737-8478	Screw x2
13	4748-422	Upper galley front
14	4748-423	Upper galley side x2
15	4734A0671	Drain trap, M2
	4739-1088	Hose clamp
16	4714A277	Drain hose (sold/foot)
17	4730A3431	Gas hose (rubber)
	4748-526	Gas line assy (copper)
18	4748-425	Upper galley bottom

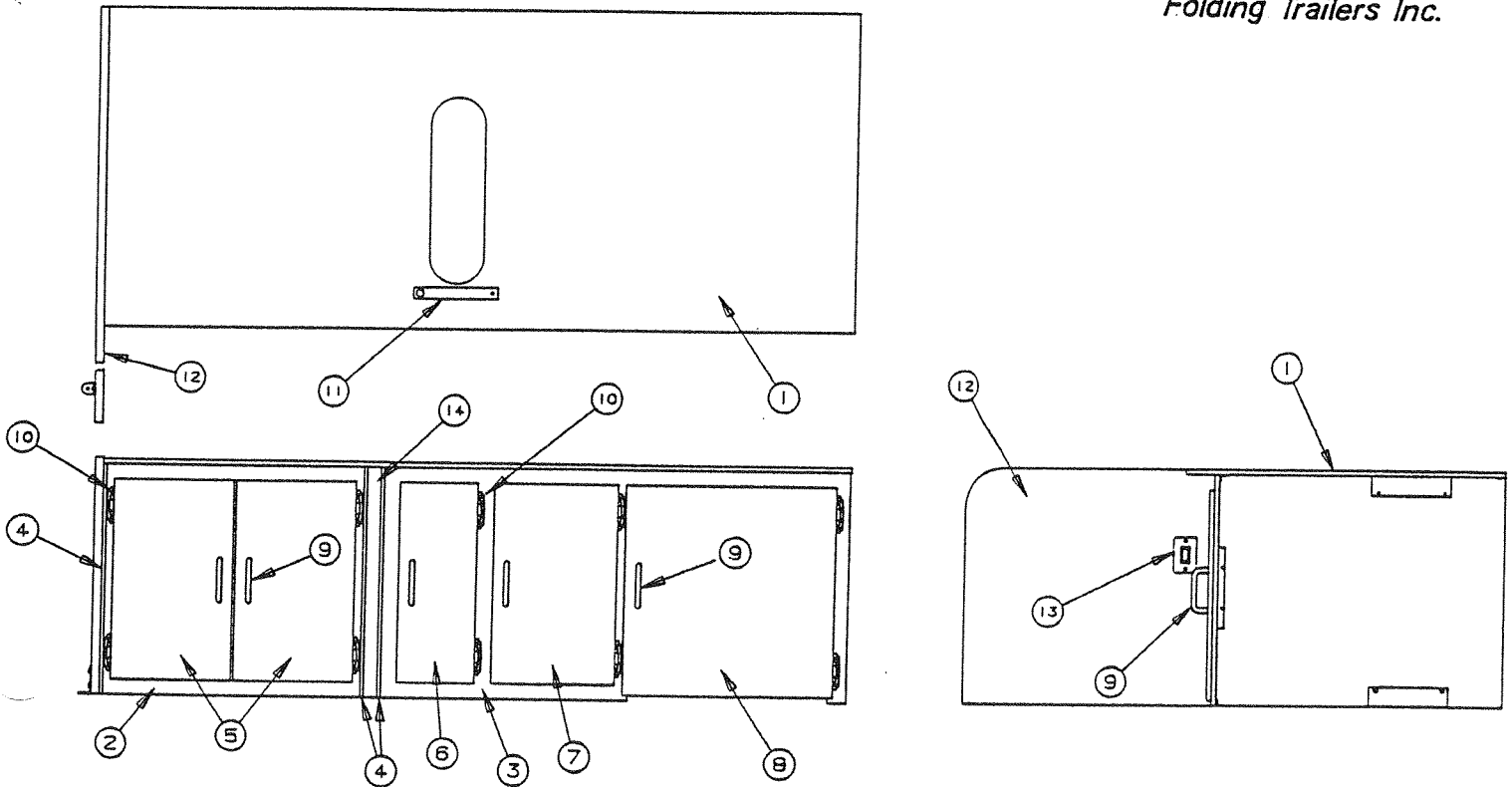
# Arcadia

1991  
Pioneer  
Supplement



**FLEETWOOD**

Folding Trailers Inc.



**LOWER GALLEY ASSEMBLIES - 2594 (4748-528)**

CODE	PART NO.	DESCRIPTION
1	4748-4451	Lower galley top, 2594
	4741-221	Angle (hold top to front)
	4749-4108	Screw
2	4749-2408	Galley front (left)
3	4748-444	Galley front (right)
4	4749-238	Galley trim x3
5	4748-4521	Door panel x2
6	4748-4531	Door panel x1
7	4749-8601	Door panel x1
8	4748-4551	Door panel x1
9	4739C0501	Door pull (plastic)
	1022B081	Screw x2
10	4745B2618	Self closing hinge x10
	4749-4598	Screw
11	4724-5951	Tie down x1
	4716-075	Screw x1
	4730A3548	Stud w/screw x1
12	4748-4461	Seat gazoodi
13	4733A4981	Rocker switch
	4738-3088	Screw x2
14	4748-449	Lower galley trim



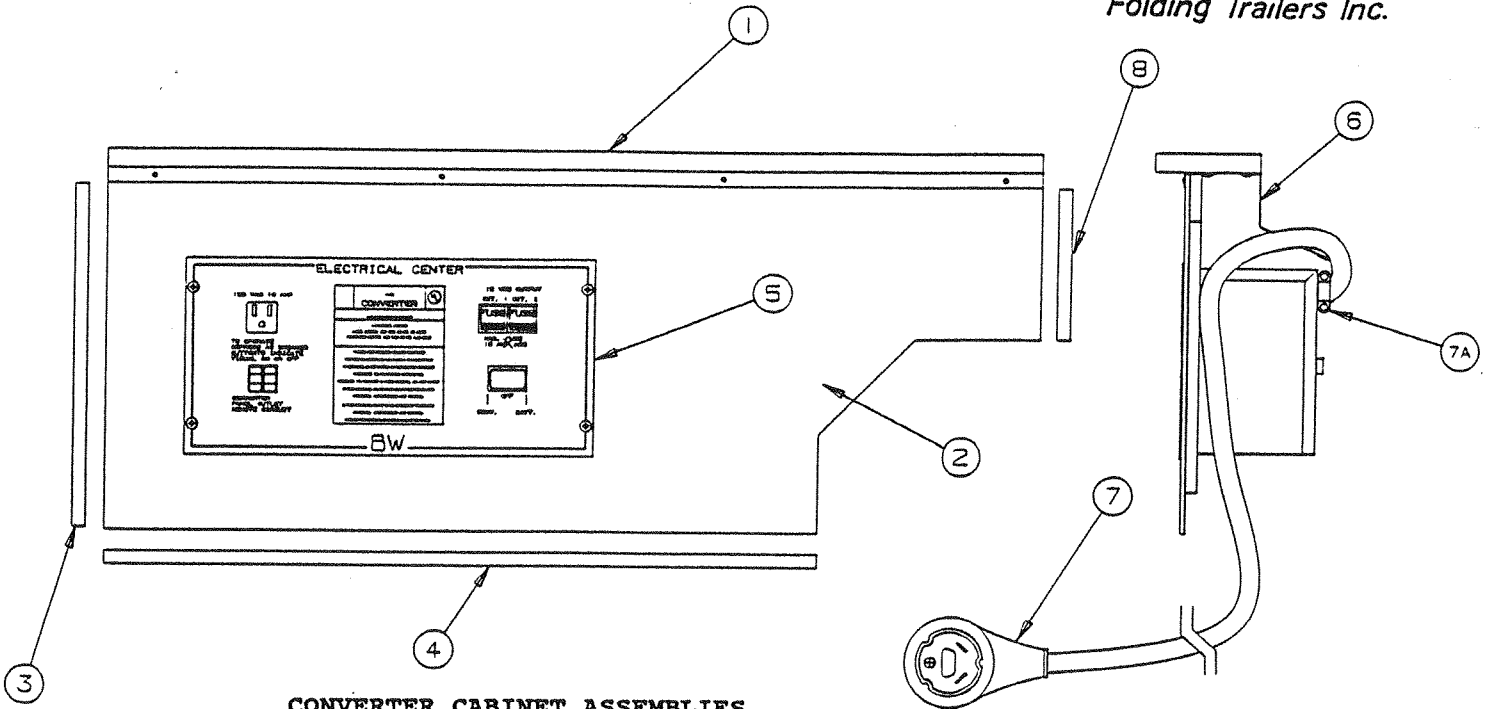
# Arcadia

1991  
Pioneer  
Supplement



**FLEETWOOD.**

Folding Trailers Inc.



**CONVERTER CABINET ASSEMBLIES**

<u>CODE</u>	<u>PART NO.</u>	<u>DESCRIPTION</u>
1	4744D0231	Converter cabinet top, 2594
	4744A024	Panel angle, 2594
	1103B0806	Screw, (angle to cabinet top) x4
	4738-3088	Screw, (angle to front panel) x4
2	4714D4501	Universal wall panel (48 x 18 1/8") Classic Oak
3	4741C8971	Corner divider x2
4	4741B8961	Toe molding
5	4745A1571	Converter, 15 AMP B&W
	4737-8488	Screw x4
6	4744-235	Converter baffle x1
	1103B0806	Screw x2
7	4744-3101	Power cord, 28 ft
	1201-8658	Clamp
	4737-8488	Screw x1
7A	1216-457	Strain relief 3/4" x 1"
8	4714C2911	Panel divider, M5
9	4735B6901	Heater harness (not shown)
10	4735B6731	Extension harness 2594 (not shown)
11	1216-451	Stain relief 3/8" x 2" (not shown) "Romex" wire 14 AWG (Purchase locally)

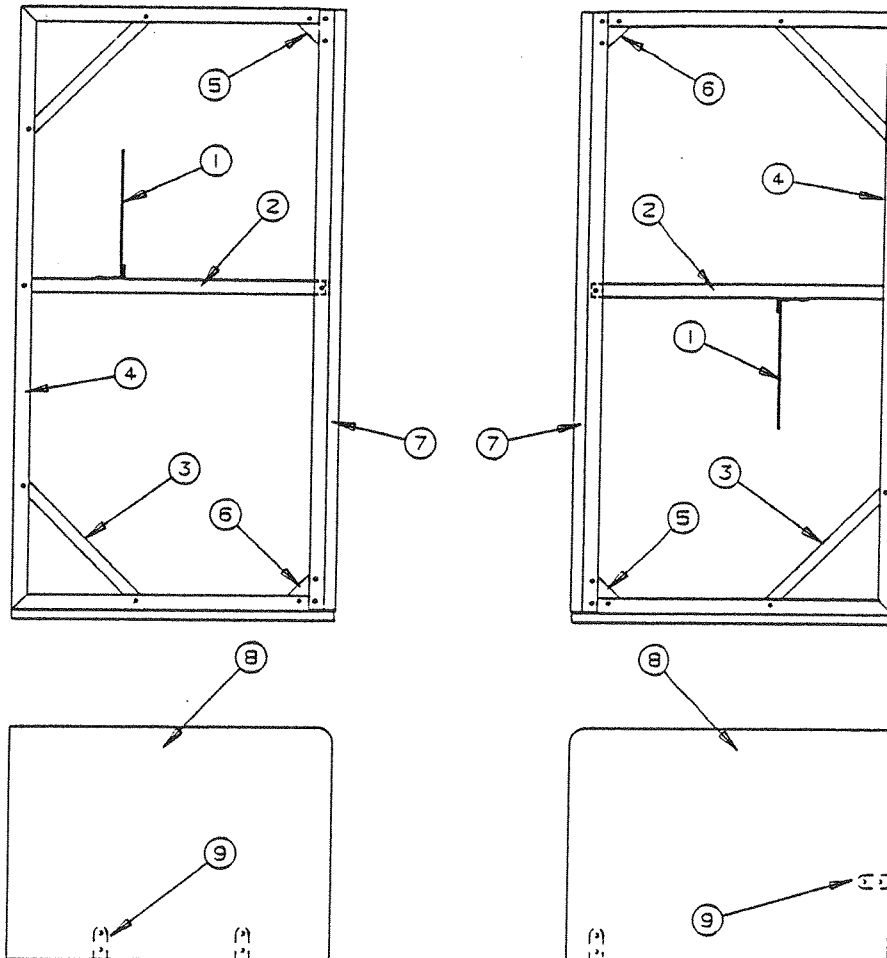
# Arcadia

1991  
Pioneer  
Supplement



**FLEETWOOD.**

Folding Trailers Inc.



**SEAT FRAME ASSEMBLIES**

<u>CODE</u>	<u>PART NO.</u>	<u>DESCRIPTION</u>
1	4744-6961	Support arm assy
	4733A0601	Rivet x2, M25
2	4748-458	Cushion support
	4733A0601	Rivet x2, M25
3	4745-299	Seat cushion support
	4733A0601	Rivet x2, M25
4	4748-457	Seat support
5	4745-297	Seat bracket
6	4745-298	Seat bracket
7	4744-971	Table rest
8	4748-4601	Seat end
9	4745-295	Bracket x2
	4737-8478	Screw

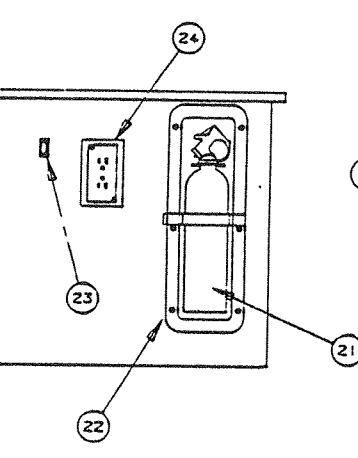
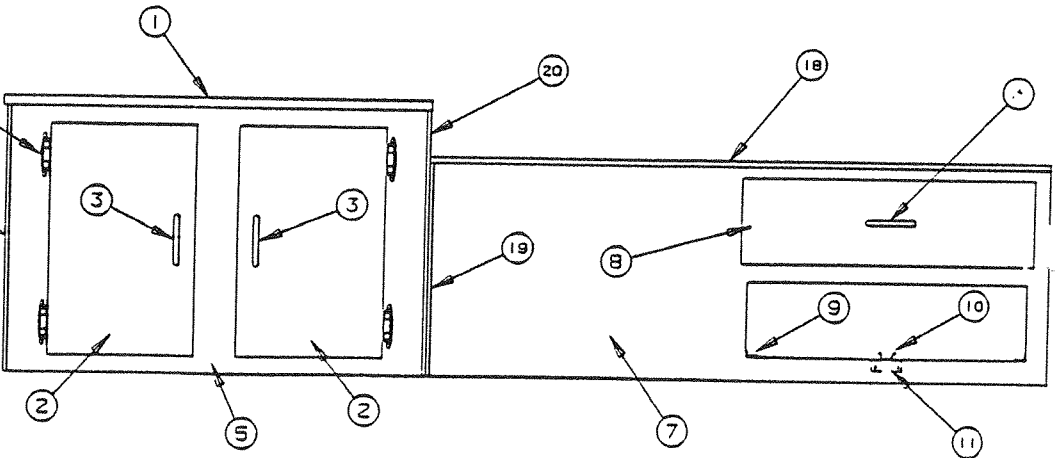
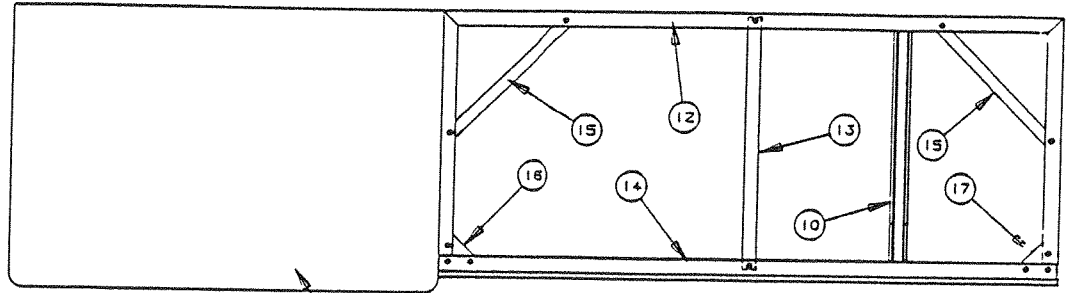
# Arcadia

1991  
Pioneer  
Supplement



**FLEETWOOD.**

Folding Trailers Inc.



**2594 HUTCH/SEAT ASSEMBLY (4748-529)**

CODE	PART NO.	DESCRIPTION
1	4748-4161	Hutch top
2	4749-8601	Door panel x2
3	4739C0501	Door pull (plastic)
	1022B081	Screw x2
4	4745B2618	Self closing hinge x4
	4749-4598	Screw
5	4748-414	Hutch front
6	4748-4181	Hutch side panel
7	4748-413	Seat front
8	4748-5341	Drawer assembly x2
9	4749-8398	Drawer slide tack (plastic)
10	4748-472	Drawer guide x2
	4749-836	Rear socket x2 (plastic)
	4737-8488	Screw x2
11	4749-867	Drawer guide mount angle x2
	4749-4108	Screw x2
12	4748-419	Seat wrap-around
13	4748-451	Cushion support
	4733A0601	Rivet x2, M25
14	4748-450	Seat front angle
15	4745-299	Corner support x2
	4733A0601	Rivet x2, M25
16	4745-298	Seat bracket, left
	4733A0601	Rivet x2, M25
17	4745-297	Seat bracket, right
	4733A0601	Rivet x2, M25
18	4060095602	Plastic "U" channel (sold
19	4748-417	Cabinet trim (short)
20	4749-238	Cabinet trim (long)
21	4737A5558	Fire extinguisher
22	4737B4198	Recessed mount
	4734A1861	Rivet x6, M25
23	4733B4981	Rocker switch (access door light)
24	4746A3841	Receptacle w/cover

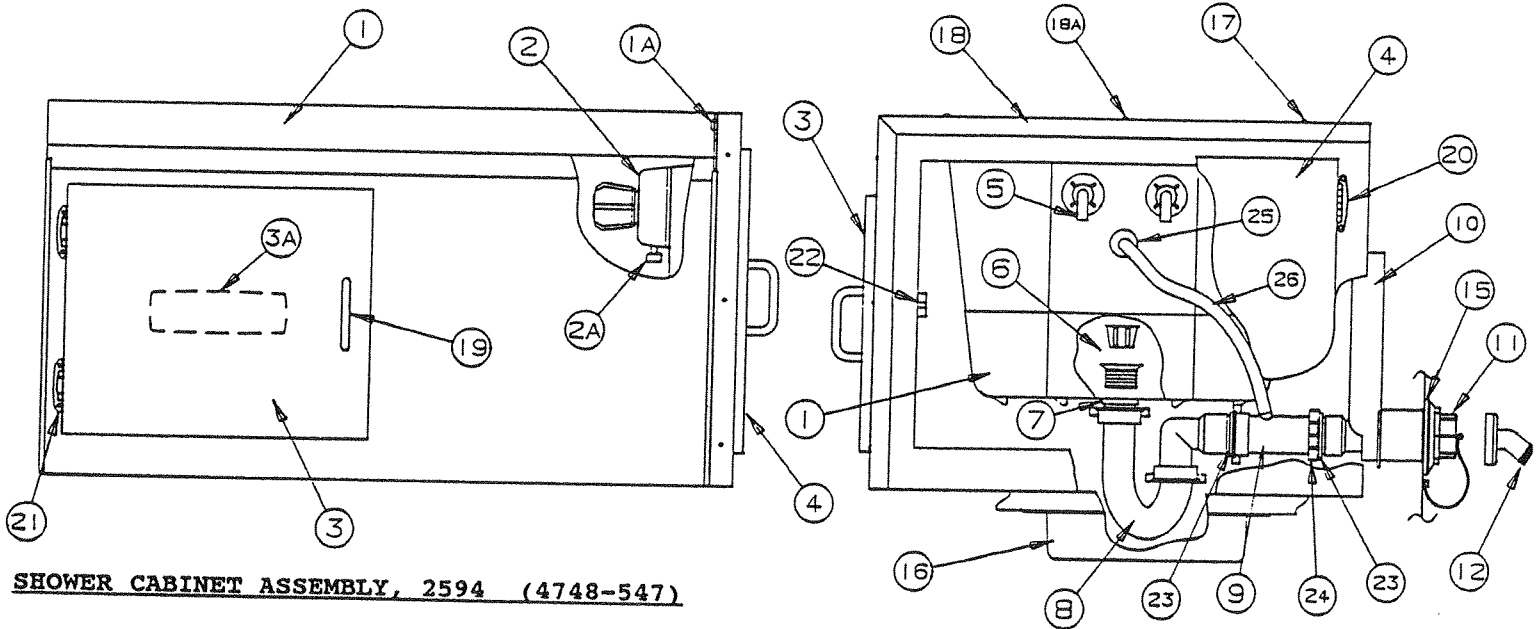
# Arcadia

1991  
Pioneer  
Supplement



**FLEETWOOD**

Folding Trailers Inc.



**SHOWER CABINET ASSEMBLY, 2594 (4748-547)**

CODE	PART NO.	DESCRIPTION
1	4741-2221	Bathtub
	4733-4138	Tek screw
1A	4739A2908	Screw cap, white x14
	4716-077	Screw x14
	4739-2918	Screw cap washer x14
	2	4741A2071
2A	4716-0848	Shower hose connector
3	4737K5171	Door panel x1
	4738-3088	Screw x4
3A	4741-4241	Toilet tissue holder
	4738-3088	Screw x2
4	4748-4761	Door panel
5	4741-2351	Swivel street elbow x2
6	4746-1821	Basket strainer
7	4737A8328	Plastic nut 1-1/2" x1
8	4741B9328	"p" trap
9	4748-824	Overflow tail w/slipnut
10	4741-9301	Vent system
11	4714-2861	Cap & strap package
	4741-8218	Screw (strap to panel)
12	4737-9138	Tub drain adapter x1 (Reduces 1- 1/2" drain outlet to a 3/4" garden hose connection)

13	4746-3761	Shower head
14	4741A2051	Shower hose
15	4749-4131	Tub drain gasket x1
16	4737-9258	Plastic base x1
	4737-8488	Screw x2
17	4724C264	Velcro hook
	4738-3088	Screw x1
18	4741C180	Edge cap
18A	4738-3088	Screw
19	4739B0508	Door pull
	4716-055	Screw x2
20	4739A0518	Hinge x1
	4749-4118	Screw x3 (screw hinge to door panel)
21	4745B2618	Hinge, spring loaded
	4749-4118	Screw x3 (screw hinge to door panel)
22	4733-6391	Latch & strike pkg.
23	4748-823	Male adapter 1 1/2" x2
24	4748-822	Slip joint nut x1 1 1/2"
25	4748-833	Tub grommet x1
	4748-878	Spring grip x1
26	4060087538	Flexible tubing 12" length
27	4724-7111	Shower curtain (not shown)

# Arcadia

1991  
Pioneer  
Supplement

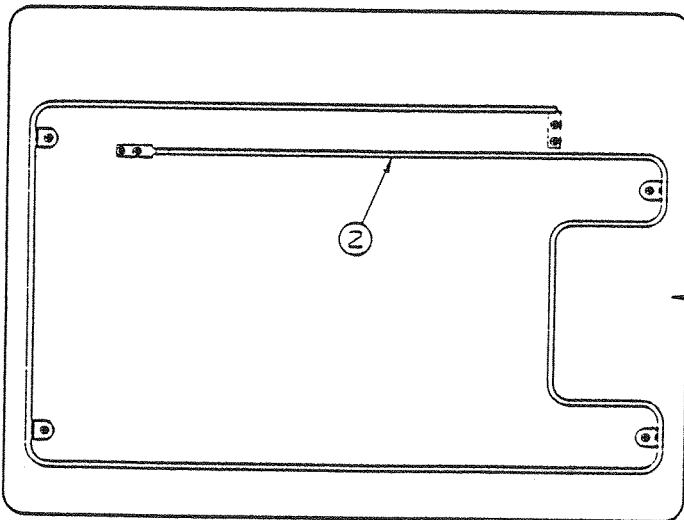
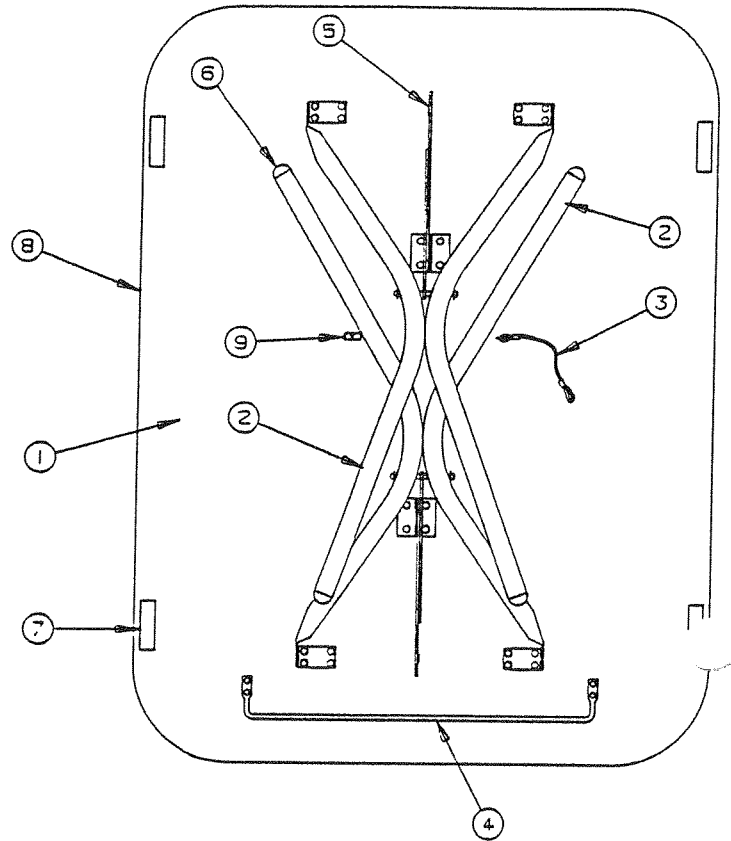


**FLEETWOOD**

Folding Trailers Inc.

## DINETTE TABLE ASSEMBLY

CODE	PART NO.	DESCRIPTION
1	4716-4521	Table top 2594
2	4745-5271	Dinette table leg assy (includes hardware to install legs M2 to table top)
3	4720B5951	Table leg strap assy, M4
4	4734C0841	Towel rack, 22 1/4"
	4737-8488	Screw, rack to top
5	4720A1501	Lock brace package
	4737-8488	Screw, brace to top
6	4720C3928	Table leg cap
7	4724D2631	Velcro hook
	4724E263	Velcro loop (located on the seat frame)
8	4716-178	T molding (sold/foot)
9	4720D4021	Lashing hook M6
	4737-8488	Screw x1



## SHOWER CURTAIN ROD ASSY (4748-5411 COMPLETE)

CODE	PART NO.	DESCRIPTION
1	4748-461	Back board (grey linen)
2	4748A459	Shower curtain rod
	4737-8478	Screw x8

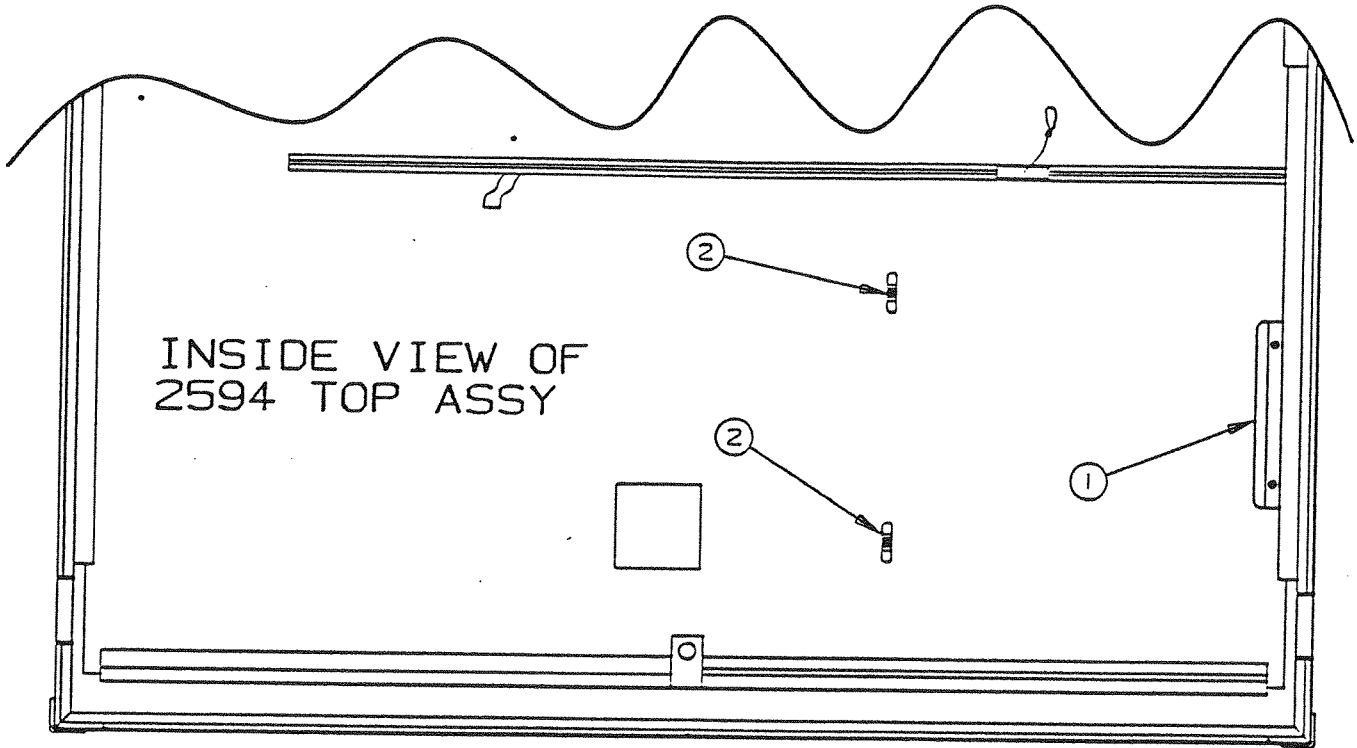
# Arcadia

1991  
Pioneer  
Supplement



**FLEETWOOD**

Folding Trailers Inc.



INSIDE VIEW OF  
2594 TOP ASSY

NOTE: When ordering a top for 2594 Arcadia, you will order part number 4716-9931 Top Assy. Code 1 and 2 will not be installed, please order if necessary.

## Miscellaneous Top Assembly Parts - 2594 Arcadia

CODE	PART NO.	DESCRIPTION
1	4748-4731	Shower curtain rod assy holder
	4744-4611	Expansion rivet x2, M25
2	4748-4621	Twisty fastener x2
	4744-4611	Expansion rivets x1, M25

# Arcadia

1991  
Pioneer  
Supplement



**FLEETWOOD**

Folding Trailers Inc.

BODY PANELS AND TRIM TAPE, FOR 2594 ARCADIA  
(All panels shipped less trim tape and decals)

	<u>2594 ARCADIA</u>	<u>PIONEER SERIES</u>
Front Body Panel	4737E8601	
Body rail	4716-1801	
Side marker lights	4714E0841	
Socket & harness	4733G1311	
Frame gasket	4737B4458	
Safety latch pkg	4730A1221	
<hr/>		
Rear Body Panel	4737D8621	
Body rail	4737B8811	
Side marker lights	4714E0851	
Taillight assy's	4749-4321	
Taillight lens only	4716-1041	
Frame gasket	4737B4458	
License plate light	4739B4311	
Bumper pad assy	4744A5571	
<hr/>		
Left Side Body Panel (Roadside)	4748-4341	
Body rail	4748-436	
Trim tape	4716CS14	(12 Ft required)
Coleman logo	4745B1908	
Fleetwood decal	4749A8708	
Water decal	4735C0988	
Water tank spout	4731C1711	
<hr/>		
Right Rear Body Panel (Curbside)	4748-4381	
Body rail	4744-063	
Trim tape	4716CS14	( 6 Ft. required)
Coleman logo	4745B1908	
Fleetwood decal	4749A8708	
<hr/>		
Right Front Body Panel (Curbside)	4748-4371	
Body rail	4744A065	
Arcadia name decal	4748-4748	
Coleman logo w/camper	4749-9408	
Trim tape	4716CS14	( 4 Ft. required)
<hr/>		
NOTE: See Page 14 - 1991 Pioneer Parts List for Component Parts		
<hr/>		
NOTE: See Page 11 - 1991 Pioneer Parts List for Component Parts		
<hr/>		
NOTE: See Page 12 - 1991 Pioneer Parts List for Component Parts		
<hr/>		

## EVOLUTION III ASSEMBLIES

4724F7481	Door seal window
4724F7491	Large window
4724F7681	Small Window
4724G7471	Front Queen Boot
4724G7461	Rear Boot

See Page 19, Pioneer Series for more  
components