



CABLE CUT CHART

Length to cut your cable to	Camper year, length or model / series
119 ¼"	1999 to current 10 and 12 foot models - Rear cables
161 ¼"	1999 to current 10 foot models - Front cables
184 ¼"	1999 to current 12 foot models - Front cables
127"	1999 to current Taos - Front cables
102 ¾"	1999 to current Taos - Rear cables
163 ½"	1999 Santee - Front cables
121 ½"	1999 Santee, 1999 to 2001 Redwood - Rear cables 2003 to current Tucson, Yuma - Rear cables 2005 Evolution, 2006 to current E1, E2 - Rear cables
147 ½"	1999 - 2001 Redwood - Front cables 2003 Yuma - Front cables
131 ¾"	2004 to current Tucson - Front cables
142"	2004 to current Yuma - Front cables
158 ½"	2004 to current Sea Pine, Cortez, Pecos - Front cables
195"	2004 to current Highlander series Sequoia, Redwood, Hemlock, Newport, Niagara, Arcadia, Saratoga - Front cables
129 ¾"	2004 to current Highlander series Sequoia, Redwood, Hemlock, Newport, Niagara, Arcadia, Saratoga - Rear cables
135 ⅝"	2005 Scorpion and 2006 to current S1 - Curbside Cables
142 ½"	2005 Scorpion and 2006 to current S1 - Roadside Cables
140 ½"	2005 Evolution and 2006 to current E1 - Front Cables
157 ½"	2006 to current E2 - Front cables
98 ¼"	2006 S3 and 2006 to current Neon - Curbside front cable
115"	2006 S3 and 2006 to current Neon - Curbside rear cable
83"	2006 S3 and 2006 to current Neon - Roadside front cable
106"	2006 S3 and 2006 to current Neon - Roadside rear cable
125 ⅛"	2006 S2 - Curbside cables

132"	2006 S2 - Roadside cables
127"	2006 to current Cobalt - Front curbside cable
149 ¼"	2006 to current Graphite, 2007 Rio and Royal - Front curbside cable
102 ¾"	2006 to current Graphite, 2007 Rio and Royal - Rear cable
168"	2007 to current E3 - Front curbside cable
121 ½"	2007 to current E3 - Rear cable
225 ¾"	2007 to current Avalon - Front curbside cable
125 ⅙"	2007 to current Avalon - Rear cable
166 ¼"	2007 to current Westlake - Front cables
118 ¾"	2007 to current Westlake - Rear cables
123 ⅜"	2007 to current Sedona - Front cables
133 ⅝"	2007 to current Sedona - Rear cables
125 7/16"	2008 E4 - Rear cables
210 7/8"	2008 E4 - Front cables
129 ¾"	2008 Tacoma - Rear cables
195"	2008 Tacoma - Front cables

To choose the correct cut length.

Measure the box length of your camper.

Find your year and model in the chart.

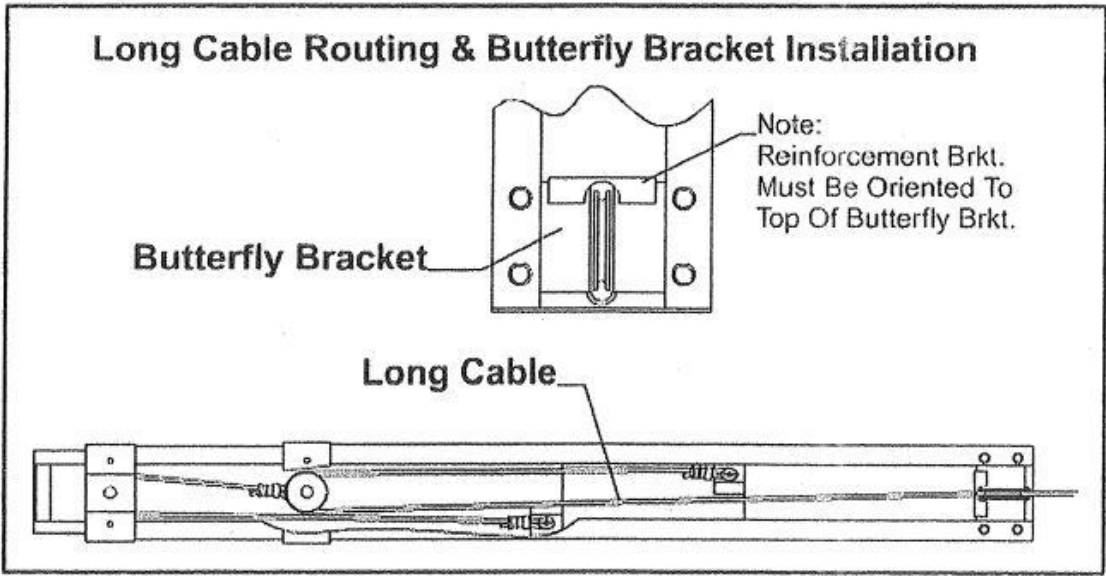
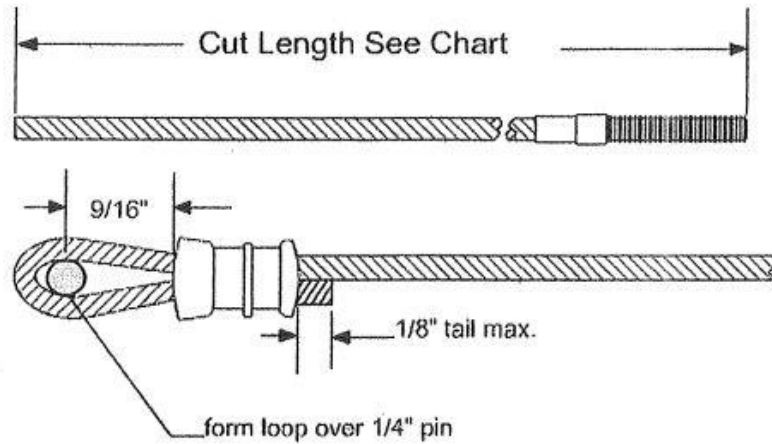
Measure from the end of the bolt.

Cut your cable to the correct length.

Need more help?

YouTube Videos available @ Pop Up Camper Pro

<https://www.youtube.com/channel/UCivrvLfiYBGwk7KchItN1CQ>



1968A500