

# Country Chef

LP RANGES

## PARTS & WARRANTY

FOR 2 BURNER STOVE

MAS Part No.12-100-HP

For Use With Regulated L. P.

IF PACKAGE IS BROKEN.....LOOK FOR:

- 2 BURNERS
- 4 COUNTER TOP PROTECTORS (Slip Over Corners of Stove Top)
- 2 STOVE KNOBS
- 1 WARRANTY CARD W/RETURN REGISTRATION

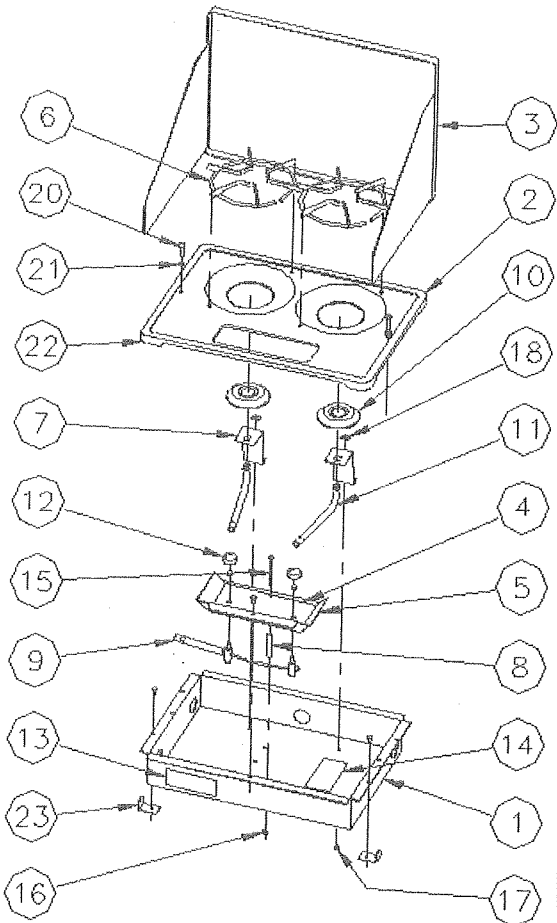
MANUFACTURED BY:

# VITCO

900 E. Wabash Ave., P.O. Box 407, Nappanee, IN 46550

[www.vitco.com](http://www.vitco.com) 1-877-787-8683

In Canada, installation must comply with CAN/CSA-Z240 MH CURRENT series for Mobile Housing or CAN/CSA -Z240 RV series for Recreational Vehicles.



PART #	DESCRIPTION	Qty
1. MA-705	Burner Pan	1
2. MA-663	Stovetop	1
3. MA601WP	Lid with 2 Wings	1
4. MAHP-704D	Manifold Overlay	1
5. MAHP-702WP	Manifold Cover Plate	1
6. MA-640	Stove Grates	2
7. MAHP- 698	Burner Bracket	2
8. MAHP-696	HP Spacer	1
9. MAHP-700	Manifold Assembly	1
10. MAHP-697	Burner Assembly	2
11. MAHP-699	Burner Tube	2
12. MAHP-701	Stove Knobs	2
13. MAHP-744	Instruction Label	1
14. MAHP-741	Rating Label	1
15. MAHP-695	Pan Head Screw	1
16. MAHP-694	Hex Nut	1
17. MA-656	Pan Screw	3
18. MA-691	Tinnerman Nut	2
20. MA-710	SHCS	2
21. MAHP-693	Nylon Flat Washer	2
22. Q124	Pinchwelt	4
23. MA-720	Wing Retainer Clip	2

All replacement parts can be obtained by calling 1-877-757-8683

## ! DANGER



### CARBON MONOXIDE HAZARD

This appliance can produce carbon monoxide which has no odor. Using it in an enclosed space can kill you. Never use this appliance in an enclosed space such as a camper, tent, car or home.

## FOR YOUR SAFETY

If you smell gas:

1. Do not attempt to light the appliance
2. Extinguish any open flame
3. Disconnect from fuel supply

## FOR YOUR SAFETY

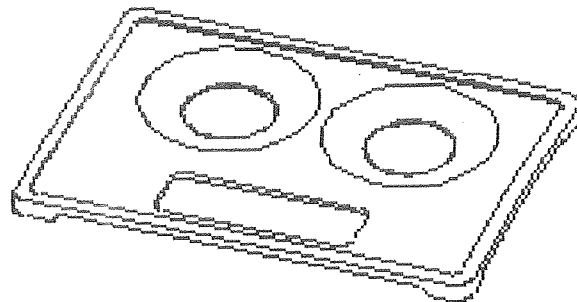
Do not store or use gasoline or other liquids with flammable vapors in the vicinity of this or any other appliance.

### INSTALLATION AND OPERATION REQUIREMENTS

Installation of this grill must conform to the acceptable ANSI A119 standards for Recreational Vehicles and / or Park Trailers. ANSI A119 standards must also be followed concerning clearances from appliance to any doors, windows and combustion air intakes. The 12-100-HP stove is to be used with the LP gas supply cylinder provided with your Recreational Vehicle. The gas supply should always be turned off when the stove is not in use. Indoor storage of the stove is permissible only if the appliance is totally disconnected from the RV LP gas supply.

Do not place hand over burner when lighting. Do not expose stove to flammable vapors or liquids during lighting. Keep the stove area clear and free from any combustible liquids like gasoline and lighter fluid. A proper flame should be blue at the burner surface and slightly yellow at the grate surface. The flame should not be higher than 1 inch from the grate surface.

When lighting the stove, turn the knob approximately one quarter of a turn until you hear the gas flow and light from the perimeter of the stove grate. Make sure to turn off the gas supply at the source of the RV tank when the stove is not in use.



### CARE AND CLEANING SUGGESTIONS

The burner top is removable to simplify cleaning, remove screws from mounting holes and lift off top.

Regular cleaning with a warm detergent solution and a soft cloth will keep your range looking like new. Do not clean until the range is cool. Do not allow grease spatters to accumulate as they will eventually bake on and become difficult to remove.

The burners and burner tubes may be cleaned by turning the burner head counter clockwise until it disengages from the burner tube. If any ports are clogged, clean with a toothpick. Do not use metal instruments as they may distort or enlarge ports. Be sure they are clean and dry before replacing.

To clean under the manifold cover or to disconnect the gas line, remove the front mounting screw.

**CAUTION:** Never use steel wool to clean burner caps or chrome parts as it may scratch and dull the finish. Do not use a damp cloth to clean the porcelain surface while it is still hot, since it is glass fused into steel and may craze.

### SOLUTIONS TO POSSIBLE TROUBLES

**Orange-colored flames** – These are usually caused by fine particles of dust that are drawn into the air opening. They will normally burn out in a very short time.

**Yellow tips on burner flames** – These are caused by an improper mix of air and gas. To correct, check for any restriction in venturi or air opening, and be sure burner valves are in line with venturi.

### TABOOS

Never use your range as a space heater.

Do not expose stove to flammable vapors or liquids during lighting. Keep the stove area clear and free from any combustible liquids like gasoline and lighter fluid. Do not leave the burners on without a utensil for any length of time. The grates may overheat and cause the porcelain enamel to craze and chip if the finish is porcelain.

Do not obstruct the flow or combustion and ventilation air.

### INSTALLATION AND PARTS

Before installing, make sure the counter top surface and all interior surfaces are flat, square and smooth, then proceed as follows:

1. Make cut out in counter top as shown below.
2. Slip the unit into the cut-out, and when it is firmly in place, secure to the cutout substrate with (4) #10 x 1/2" sheet metal screws at each end and back. Make sure the wing retainer clips (#23) mount between the pan flange and countertop.
3. Attach gas line to manifold.
4. After the hookup is made, check all of the fittings and lines for leaks, using a leak-detecting solution or soapy water. Never use match or open flame to test.
5. Install the stovetop after testing for gas leaks. Use the 1/4" - 20 socket head cap screw (#19) and washer (#20).
6. Mount the stove lid to the counter top using (3) #10 x 1/2" pan head sheet metal screw. Fold wings inside the stove lid align with stovetop- the hinge is now against the back of the stove. Hold in place and install screw fasteners.

### Refer to rating plate

Please retain these instructions for future reference

Model	Overall Dimensions			Cut Out Dimensions / Clearances from Combustible Material			
	Width	Depth	Height	Width	Depth	Side	Back
12-100-HP	18 5/8	13 3/8	4 13/32	17 1/8	11 13/16	2"	1"