

**FLEETWOOD FOLDING TRAILERS, INC.
INSTALLATION INSTRUCTIONS**

1968F296C
September 1998

8', 8 1/2', 10', AND 12' MODEL SELF-STORING CANOPIES

This package contains:

- 2 - 4724-255 12" Hook stake
- 2 - 4724B393 Rope adjuster
- 2 - 8460A143 Poly rope
- 2 - 4733-411 Tek screw
- 3 - 4723A5291 Pole assembly

INSTRUCTIONS

1. Slide the canopy storage bag into the canopy track located on the right side or door side of the camping trailer top assembly. It may be necessary to spray the canopy insert with a soapy solution for ease of installation. Center the canopy bag in the track. To determine the size of the canopy being installed, refer to the chart size below.

NOTE: Measurements are made at the metal canopy support channel.

8'	-	85"
8 1/2'	-	97"
10'	-	111"
12'	-	136"

(+) or (-) 1" tolerance

2. Locate the two 4733-411 Tek screws supplied. Using an air or electric driver, install one self-tapping Tek screw through each end of the canopy track 1/2" back from each end of the track. See Figure 1. Tek screws must penetrate through the rubber seal sewn onto the canopy bag. This will retain the canopy in the track during transit.

NOTE: Care should be used when fastening the Tek screws to avoid slipping off and damaging the skin of the top assembly.

3. Raise the trailer top approximately halfway, unzip the canopy storage bag and unroll the canopy.
4. Install one rope adjuster (4724B393) to each rope end and thread the opposite end of rope through the hole located at each end of the canopy support channel. See figure 2.
5. Swing the adjustable support poles down from the underside of the canopy support channel. Drive the hook stakes (4724-255) into the ground to the sides of the support poles and place the loop formed by the rope adjuster over the stakes. Tighten ropes by pulling adjusters toward canopy. Raise the trailer top to full height and adjust poles and ropes as required. See figure 3.

WARNING:

1. During light to heavy periods of rainfall, one adjustable support pole must be lowered approximately 4" to 6" to allow for water drainage from atop the canopy. If not, water build-up could collapse the canopy support channel or tear the vinyl surface of the canopy.
2. This canopy is not designed for use in high winds. If high winds are expected, close the canopy until the winds recede.

6. Twist and pull one telescoping ridge pole (4723A5291) apart to a length equivalent to the distance between the trailer top and inside edge of the canopy support channel. Allow the snap button on the inner pole to snap into the nearest hole on the outer pole to lock the poles at the proper length.
7. Insert the tip of the ridge pole into one of the pre-drilled holes in the canopy support channel. Insert the opposite end of the ridge pole into the corresponding loop that is sewn to the inside of the canopy bag. Adjust poles apart as needed.
8. To take down, lower the trailer top approximately halfway, remove ropes from stakes, and fold poles back into canopy support channel. Roll canopy and zip canopy storage bag.

NOTE: The ropes may be rolled up inside the canopy, but the hook stakes should be stored inside the trailer.

Although the canopy can be set up and taken down by one person, we recommend two persons for ease of assembly.

The canopy should be wiped clean and the poles emptied of water prior to long term storage.

FIGURE 1

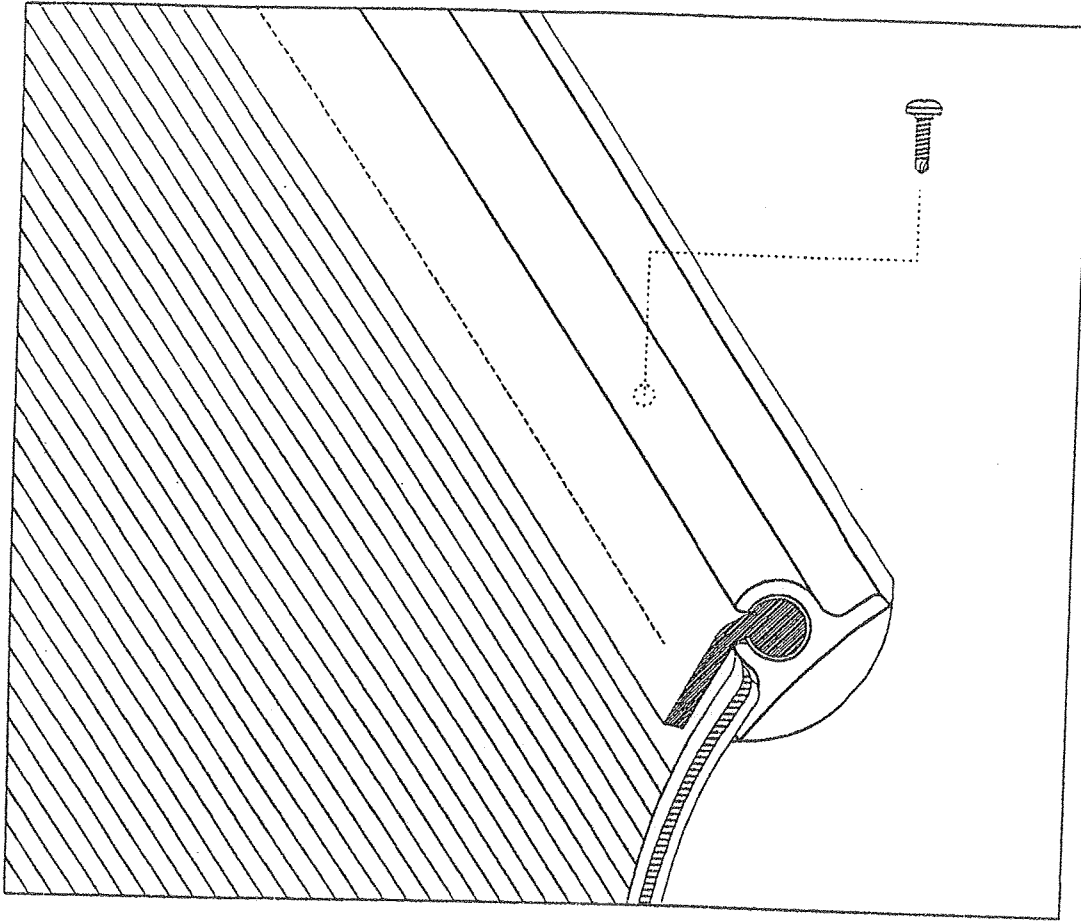


FIGURE 2

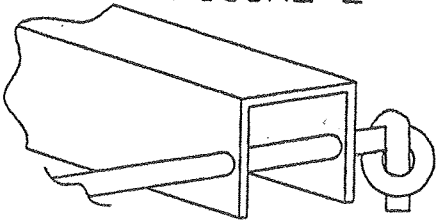


FIGURE 3

