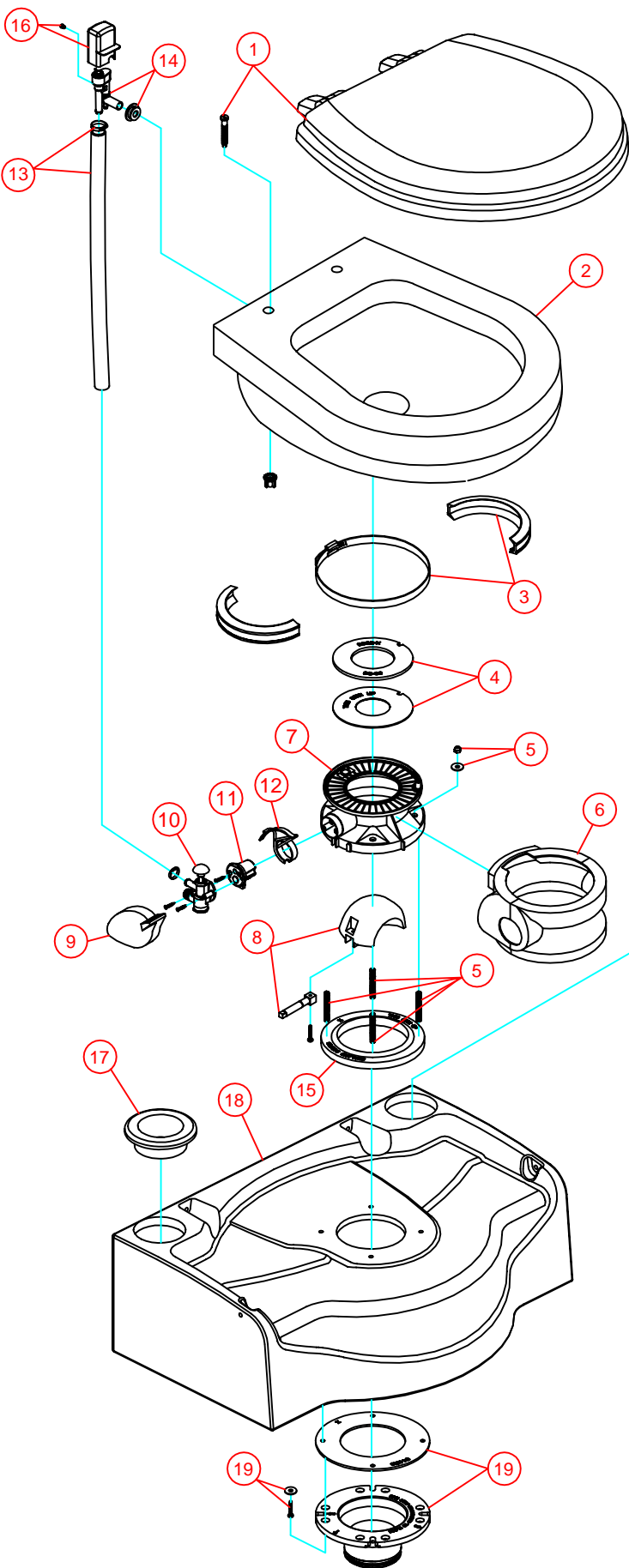
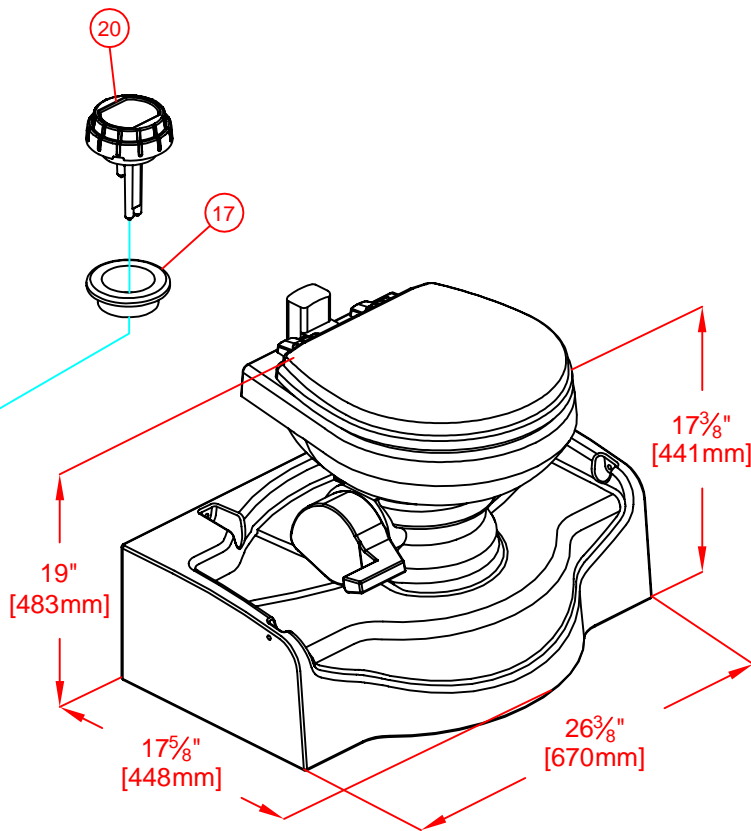


PARTS LIST: 302071201 & 302071281



ITEM	PART NO.	DESCRIPTION
1	385344436	SEAT ASSEMBLY, WHITE
2	385310676	CHINA BOWL KIT, WHITE
3	385310048	BAND AND HALF CLAMP, KIT
4	385311462	KIT, SEAL KIT-VACUFLUSH
5	385310534	MOUNTING HARDWARE
6	385310108	PEDESTAL COVER KIT , WHITE
7	385310123	BASE KIT, WHITE (INC. 3-4 & 6-12)
8	385318162	KIT,BALL,SHAFT & CART, WHITE(INC 11)
9	385310117	PEDAL COVER, WHITE
10	385314349	WATER VALVE, KIT
11	385236096	SPRING CARTRIDGE, KIT
12	385311486	KIT, BENT LEVER/CART-SHT BASE (INC 11)
13	385345377	HOSE, SUPPLY - WHITE
14	385316906	VACUUM BREAKER, KIT
15	385311267	KIT, FLOOR FLANGE SEAL-345059
16	385310696	VACUUM BREAKER COVER - WHITE
17	385311111	KIT, SEALING GROMMET 1-1/2"
18	322900902	KIT, COMP,HOLDING TANK (INC 17)
19	385311259	KIT, OUTLET ASSY-HD TK C4/TM09
20	313910001	LEVEL SENSOR 3/4 & FULL



Dometic Corporation - Sanitation Systems
 13128 State Rt. 226, P.O. Box 38
 Big Prairie, OH 44611-0038 USA
 Telephone: 330-496-3211
 Fax: 330-496-3097
 Email: sealand@dometicusa.com