



FOLDING TRAILERS

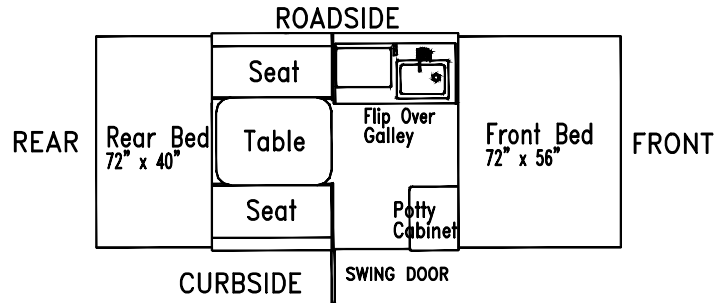
2010

Evolution[®] Series[®]
Repair Parts Catalog

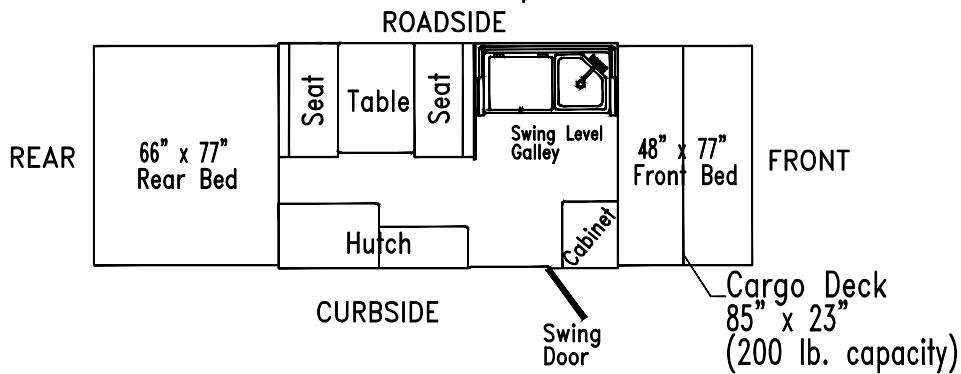
4428 Cobalt 8'
4447 E1 - 9 1/2'
4444 E2 - 11'
4437 E3 - 12'

2010 Evolution Series

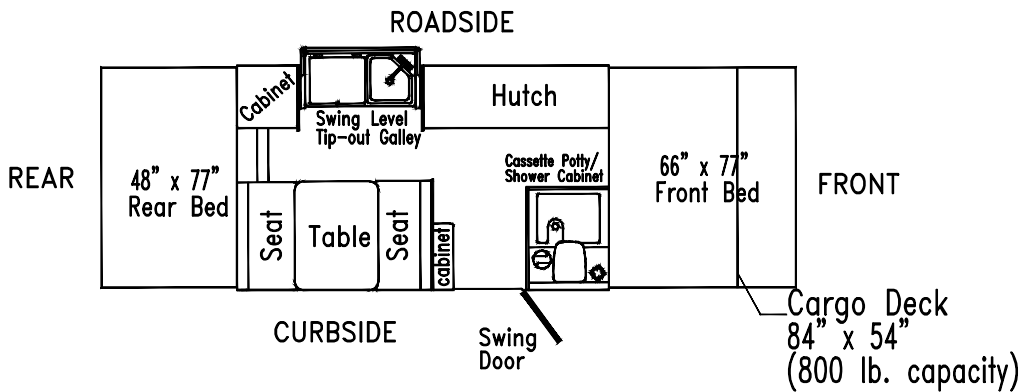
4438 COBALT 8'



4447 E1 9 1/2'



4444 E2 11'



4437 E3 12'

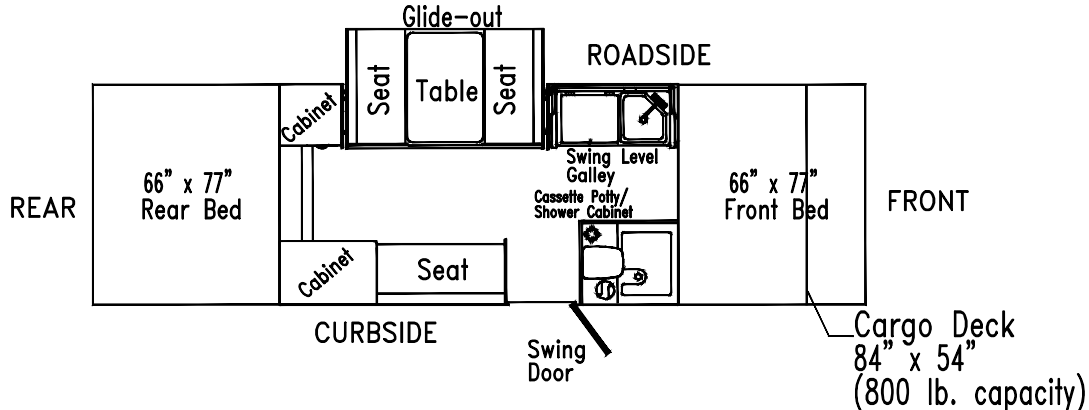
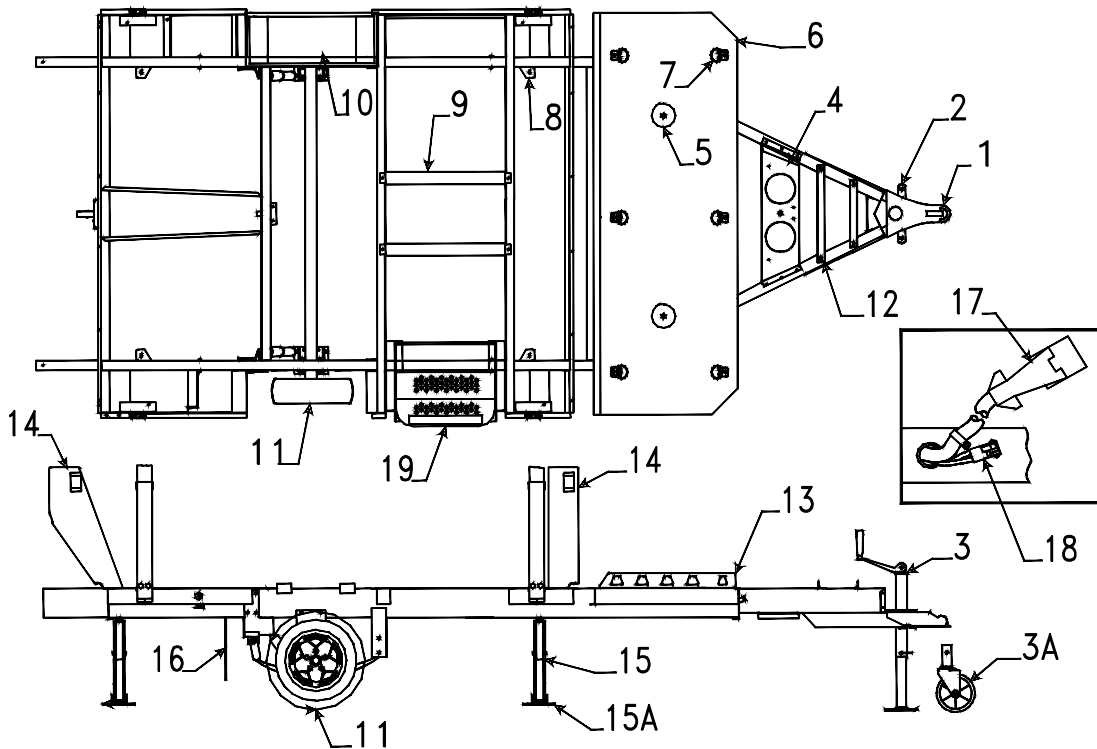


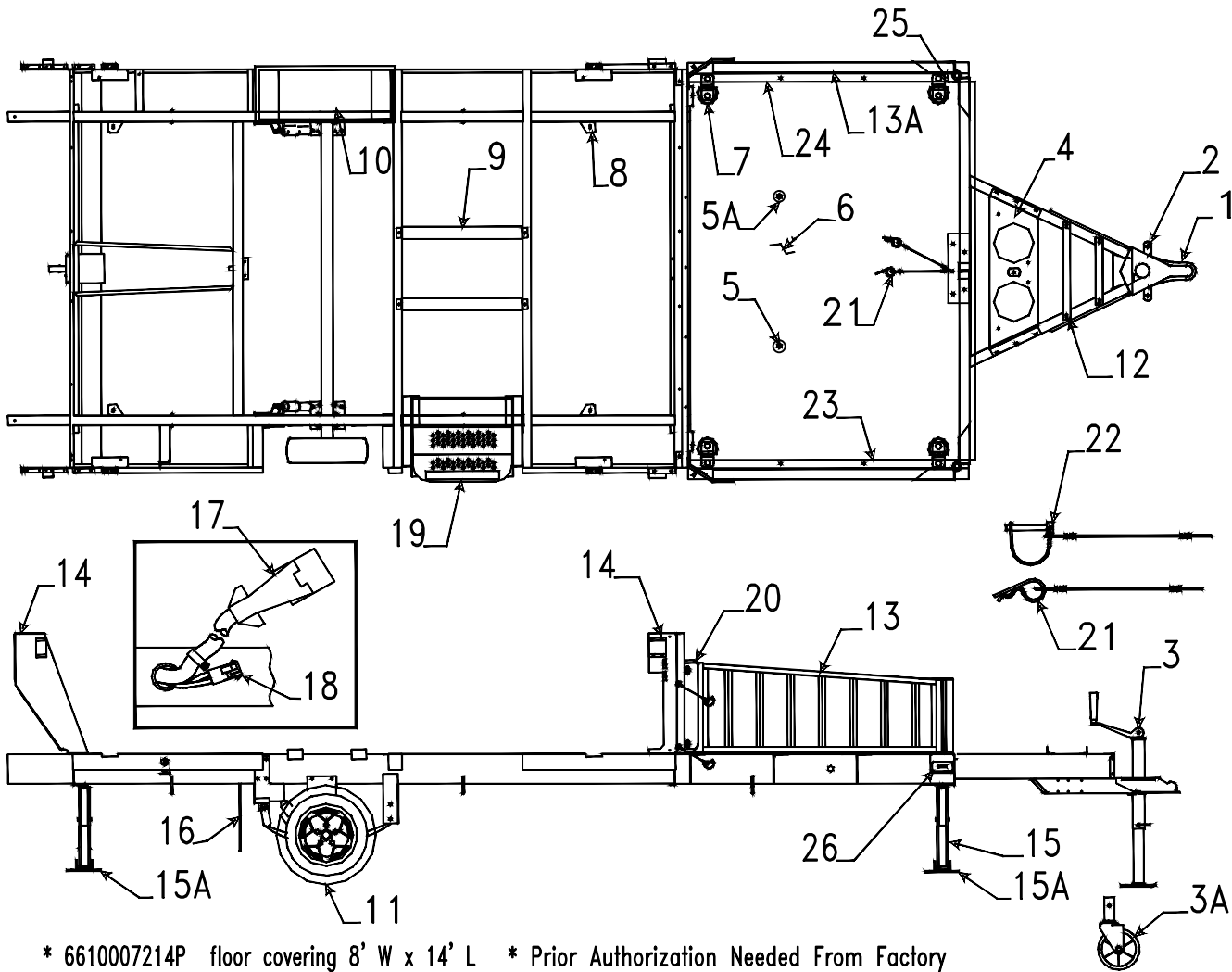
TABLE OF CONTENTS

DESCRIPTION	PAGE	DESCRIPTION	PAGE
Access door key	36	Paint (spray & quart can)	9
Access door assembly & related parts	14, 18	Paneling & trim	32
Auto extension	9	Parts package & components	36
Axle assemblies & related parts	8	Pigtail (car end)	2, 3
Backrest assemblies & covers	40	Potty "cassette" E2, E3	30
Bed assemblies	34, 35	Potty hatch door exterior E3	30
Bed extensions & related parts ³⁴	34, 35	Power cord (converter)	36
Body panel right rear "curbside"	12, 19	Power lift components	5
Body panel left side "roadside"	15, 20	Ramp/Gate (loading ramps/gates) E2, E3	3
Body panel left side glide-out "roadside"	16	Receptacle (exterior)	12, 19
Body panel front & rear	10, 11	Receptacle (interior)	32
Body panel right front "curbside"	13, 19	Refrigerator vents	15, 16
Bumper & related parts	10, 11	Regulator & fittings	36, 37
Cabinet assy. E1 (csf corner cabinet)	26	Safety chains	36
Cabinet assy. E2, E3 (csr seat/cabinet)	28	Screen door & related parts	38
Cabinet assy. "rsr galley cab." E2	24	Seat bench component parts	27, 31
Cabinet/Hutch assy. csr E1	28	Shock kit	8
Cabinet/Hutch assy. rs E2	29	Shower curtain E2, E3	40
Cabinet assy. rsr corner E3	26	Shower curtain rod E2, E3	42
Cabinet assy. csf corner Cobalt	27	Shower stall w/potty components E2, E3	30
Carbon monoxide detector	42	Shower stall cover board E2, E3	30
Caulking	9	Sink & related parts	22
Converter & related parts	32	Spare tire cover (black vinyl)	2, 3
Coupler assembly	2, 3, 4	Spare tire mount & components	10, 11
Crank-up/crank-down components	6	Speakers "interior"	28
Crank handle	36	Speakers "exterior"	12
Cushion assemblies & covers	40	Stabilizer assembly	2, 3, 5
Cargo deck gates/rails	2, 3	Stabilizer handle/lug wrench combo	36
Cargo tie down anchors	2, 3	Step (entry step)	2, 3, 18
Deck platform	2, 3	Stove components (galleys)	23
Door bulkheads.	12, 13, 18	T.P. holder E2, E3	30
Drain assy./drain hose (used on sinks)	22	Table assemblies & related parts.	23
Drape packages & related parts	40	Taillights (rear body panel)	10, 11
Drawer assy. and components E1	26	Tent support assemblies & related parts	33
Electric brakes & related parts	9	Tenting & related parts (Sunbrella)	41
Faucet "galley"	24, 25	Thermostat (Hydro Flame)	32
Faucet "shower"	30	Thrust bearing	6
Faucet "outside faucet"	39	Tie backs (curtains)	40
Fire extinguisher & components	28	Tip-out, glide-out tent bow/support E2, E3	33
Floor covering	2, 3, 4	Tie down anchors	2, 3
Frame assembly & related parts	2, 3, 4	Tire & rim	2, 3, 4
Furnace exhaust vent	9, 10	Tire cover "black vinyl"	2, 3, 4
Furnace vent "interior"	15, 20	Tongue jack & related parts	2, 3, 5
Galley components	24, 25	Top assemblies & related parts	42, 44
Gas detector	32	Water heater	39
Gas hose (gas bottle hook-up)	37	Water heater door exterior	12
Gas hose (outside grill hook-up)	37	Water faucet	24, 25
Gas bottle mounting brackets	36, 37	Water system & related parts	39
Gas quick disconnect (outside gas hookup)	37	Wheel well	2, 3, 4
Gas bottle cover (black vinyl)	37	Whiffletree & related parts	7
Gas bottle & related parts	37	Zippers (tenting assemblies)	41
Gate/Ramp (loading ramps/gates) E2, E3	3		
Glide-out components E3	16, 17	Axle/Brakes - Dexter	574/295-7800
Glide-out tent bow/support E3	33	Cassette Potty - Thetford	800/354-4135
Grease cap (dust cap)	9	Converter - World Friendship Co	800/900-2468
Hub assembly & related parts	9	Furnace - Hydro Flame #7916-11	800/546-8759
Hutch assembly "curbside" E1	28	Hand pump - Leisure Components	562/865-0401
Hutch assembly "roadside" E2	29	Power Lift - Barker	888/367-6978
Hutch/seat assy. "curbside" E3	28	Refrigerator - Dometic	800/216-5115
Lift assemblies & related parts	7	Oven/Range - Atwood Greenbrier	800/646-8557
Lift trim & miter covers	12, 13	Stove/Grill - Vitco	877/825-8528
Lug wrench	36	Tires - Kenda	800/225-4714
Mattress assemblies & covers	40	Water heater - Suburban #5031E	423/775-2131
Mud flaps	2, 3	Yakima bike rack - to obtain repair parts.	800/925-4621



* 6610007214P floor covering 8' W x 14' L
 * Prior Authorization Needed From Factory

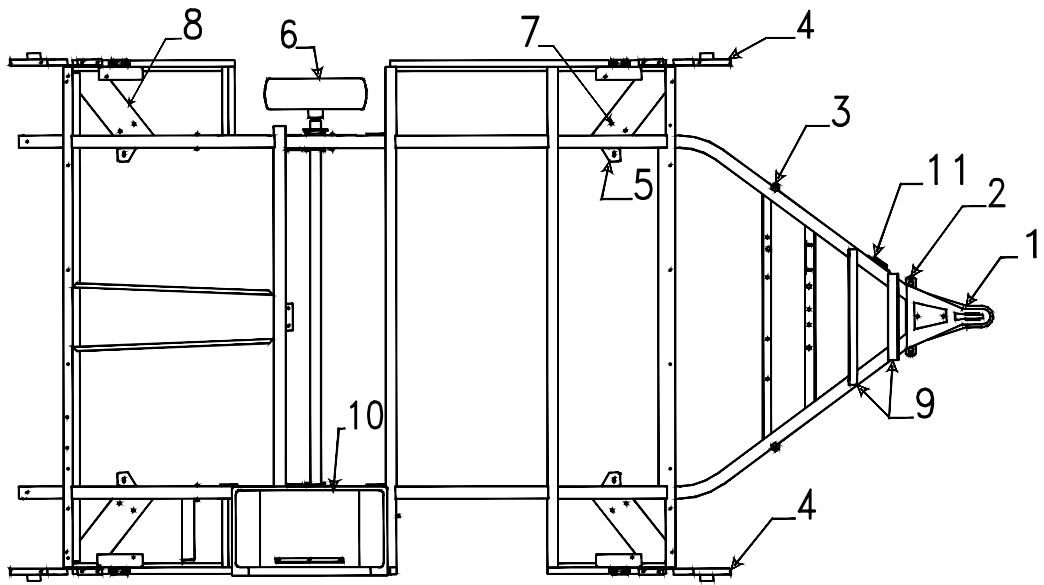
Frame Component Parts - 4447 E1			
Flat Rate	Code	Part #	Description
1.50	1	4772-4231	coupler assembly 2"(dexter 201-0041-00)
0.75	2	4720A3561	chain bar (dexter 203-0016-88)
0.25	3	4772B4221	center mount tongue jack
0.05	3A	4773-0421	caster wheel
0.50	4	4701A2631	dual gas bottle tray (dexter sub 00855)
0.10	5	4713-0341	bed leg pin pkg.
1.00	6	4701B15661	deck
0.10	7	4701-1911	tie down anchor kit
0.75	8	4732E3671	adjustable pulley brkt. X4 (dexter cs0024)
0.50		4715A5371	pulley & bearing m10
		4720C1578	short pin m4
		1204B1081	cotter pin m10
0.20	9	4758B5391	tank hanger 8" x 24 1/2"
2.00	10	4769-7611	wheel well assy. x2
		4060000589P	bulb seal (6' pc. pkg.)
0.25	11	4701A2388	tire & rim 15" star mag
0.05		4701-5671	15" vinyl tire cover
	12	4716A7151	frt./rear battery angle pkg.(dexter tcan 0271,tcan0272)
0.50	13	4713A0041	deck rail kit
2.00	14	4701B5091	corner bulkhead rsr
2.00		4701B5081	corner bulkhead rsf
2.00		4701D7041	corner bulkhead csf
2.00		4701D7011	corner bulkhead rsf
0.25	15	4701A2491	stabilizer assembly
		4751-8208	tek screw (x4 per stabilizer)
		4761A2401	stabilizer crank handle
	15A	4800-6771	sand shoe kit (pkg. of 4)
0.20	16	4713-0051	mud flap pkg. rt./lt.
	17	4716-5871	wire harness repair kit 8' pc.
		1201-8738	3/8" clamp
		1203C8721	steel rivet m25
		4742-8108	1 1/4" snap bushing
	18	4716A5001	12 volt power harness
0.15		4749B5531	12 volt wire harness m2
0.50	19	4701A5341	double step



* 6610007214P floor covering 8' W x 14' L * Prior Authorization Needed From Factory

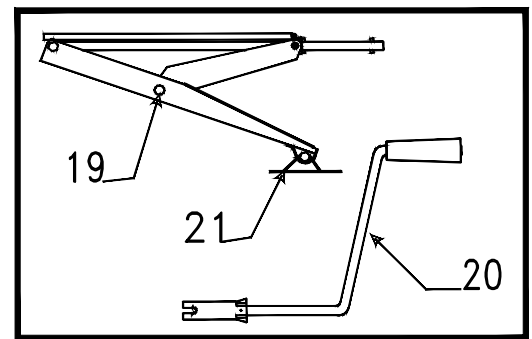
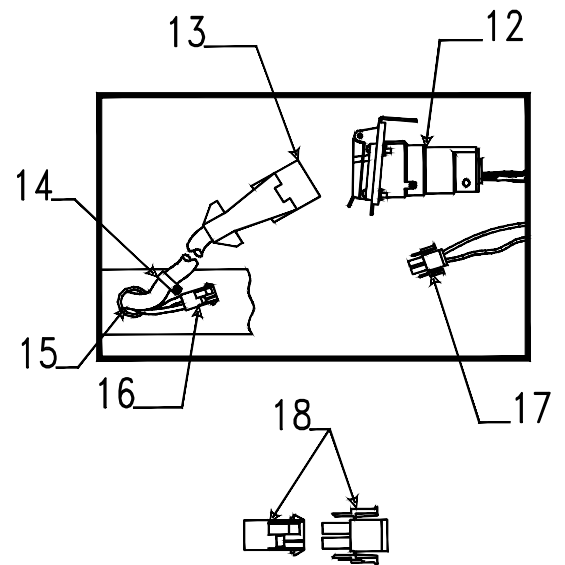
Frame Component Parts - E2, E3

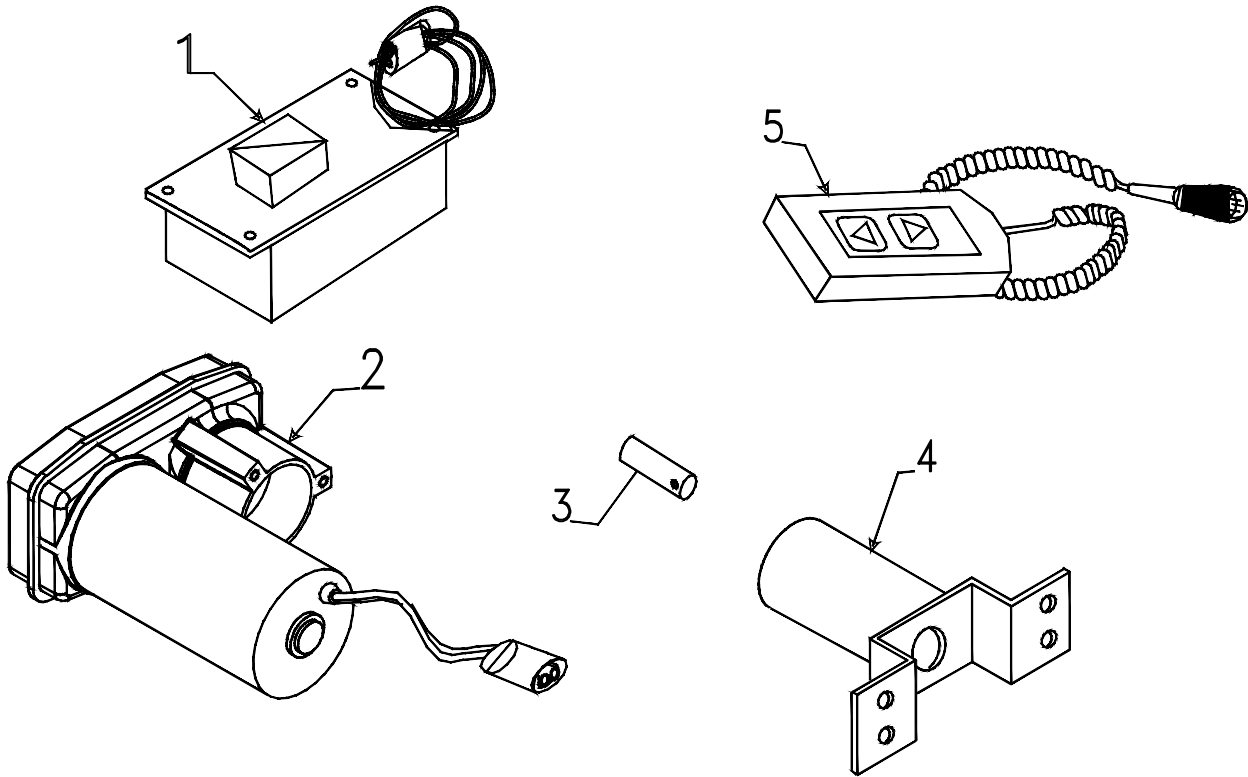
Flat Rate	Code	Part #	Description	Flat Rate	Code	Part #	Description
1.50	1	4702-1971	coupler 2 5/16" (dexter 201-0323-00)	0.25	15	4701A2491	stabilizer assembly
0.75	2	4720A3561	chain bar (dexter 203-0016-88)			4751-8208	tek screw (x4 per stabilizer)
0.25	3	4772B4221	center mount tongue jack			4761-2401	stabilizer crank handle
	3A	4773-0421	caster wheel		15A	4800-6771	sand shoe kit (pkg. of 4)
0.50	4	4701A2631	dual gas bottle tray(dexter sub00855)	0.20	16	4713-0051	mud flap pkg. rt./lt.
0.10	5	4713-0341	bed leg pin pkg.		17	4716-5871	wire harness repair kit 8' pc.
1.00	6	4701A96961	deck platform 80" x 50"			1201-8738	3/8" clamp
0.10	7	4701-1571	tie down anchor x4			1203C8721	steel rivet m25
0.75	8	4732E3671	adjustable pulley brkt. X4 (dexter cs00024)			4742-8108	1 1/4" snap bushing
0.50		4715A5371	pulley & bearing m10		18	4716A5001	12 volt power harness
		4720C1578	short pin m4	0.15		4749B5531	12 volt wire harness m2
		1204B1081	cotter pin m10	0.50	19	4701A5341	double step
0.20	9	4758B5391	tank hanger 8" x 24 1/2"	0.30	20	4702-5241	corner angle assy. cs right
2.00	10	4769-7611	wheel well x2	0.30		4702-5251	corner angle assy. rs left
		4060000589P	bulb seal (6' pc. pkg.)	0.15	21	4702-5701	rail pin & cable assy. x2
0.25	11	4701A2388	tire & rim 15" star mag.			4758-9921	tek screw m12
		4701-5671	15" vinyl tire cover	0.10	22	4765-6101	snapper pin & cable
	12	4716A7151	battery angle pkg.(dexter tcan0271,tcan0272)	0.50	23	4702-1201	deck trim "curbside"
0.50	13	4702A5221	cs ramp/gate	0.50	24	4701A9681	deck trim "roadside"
0.50	13A	4702A5231	rs ramp/gate		25	4702-5891	ramp/gate supt. plate assy.
		4702-4061	ramp strap set (set of 2)	0.15	26	4714J08481	amber marker light
2.00	14	Note: must contact factory for this item		0.10		4716A4571	amber lens (lens only)



* 6610007214P floor covering pkg. (8' x 12') * Prior Authorization Needed From Factory

Frame Assembly Component Parts - 4428 Cobalt			
Flat Rate	Code	Part #	Description
1.50	1	4772-4231	2" coupler assembly (dexter 201-0041-00)
0.75	2	4748-6611	chain bar (dexter tcp10243)
0.50	3	4758-0381	bed leg pin & washer (pc01142,hw0014)
0.10		4747-8941	pin cover m2 (plastic)
2.00	4	4747B5511	corner bulkhead csr/rsf
2.00		4747B5501	corner bulkhead rsr/csf
		1203C8751	rivet m25 (rivet bulkhead to frame)
0.75	5	4732E3671	adjustable pulley brkt. X4 (dexter cs00024)
0.50		4715A5371	pulley & bearing m10
		4720C1578	short pin m4
		1204B1081	cotter pin m10
0.25	6	4701-3768	tire & rim 10" (gray) 205/65-10C/5
0.05		4701A6341	black vinyl tire cover 10" tire
	7	4755D6651	stabilizer gusset rsf/csr (dexter sub 00857)
	8	4755D6641	stabilizer gusset csf/rsr(dexter sub000858)
	9	4716A7151	frt./rear battery angle pkg.(dexter tcan0271& tcan0276)
2.00	10	4701-6471	wheel well assy. x2
0.75	11	4720B3331	jack bracket (welded to tongue) (dextertccj0029)
	12	4746A5591	pigtail - "car end"
	13	4716-5871	harness repair kit (8' pc.)
	14	1201-8738	3/8" clamp
		1203C8721	steel rivet m25
	15	4742-8108	1 1/4" snap bushing
	16	4716A5001	12 volt power harness
0.15	17	4749B5531	12 volt wire harness m2 (battery connection)
0.15	18	4716A4701	12 volt cap & plug m2
0.25	19	4751B3351	stabilizer (screw down) x4
	20	4747G4141	crank handle
0.10	21	4755A6841	sand shoe (pkg. of 4)

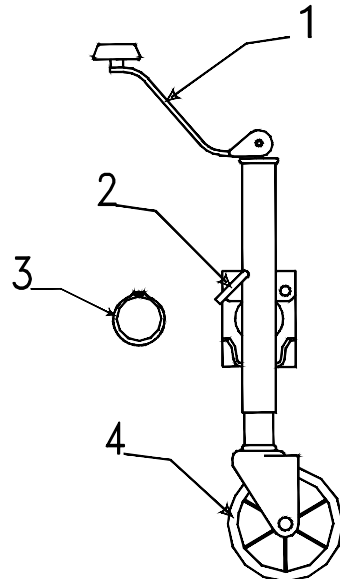




Power Lift Components			
Flat Rate	Code	Part #	Description
0.25	1	4768A0681	current limiter
1.5	2	4767C6461	power head motor
1.5	3	4773-9081	shaft connector
1.5	4	4768-0671	mounting weldment
0.05	5	4768A0691	hand controller

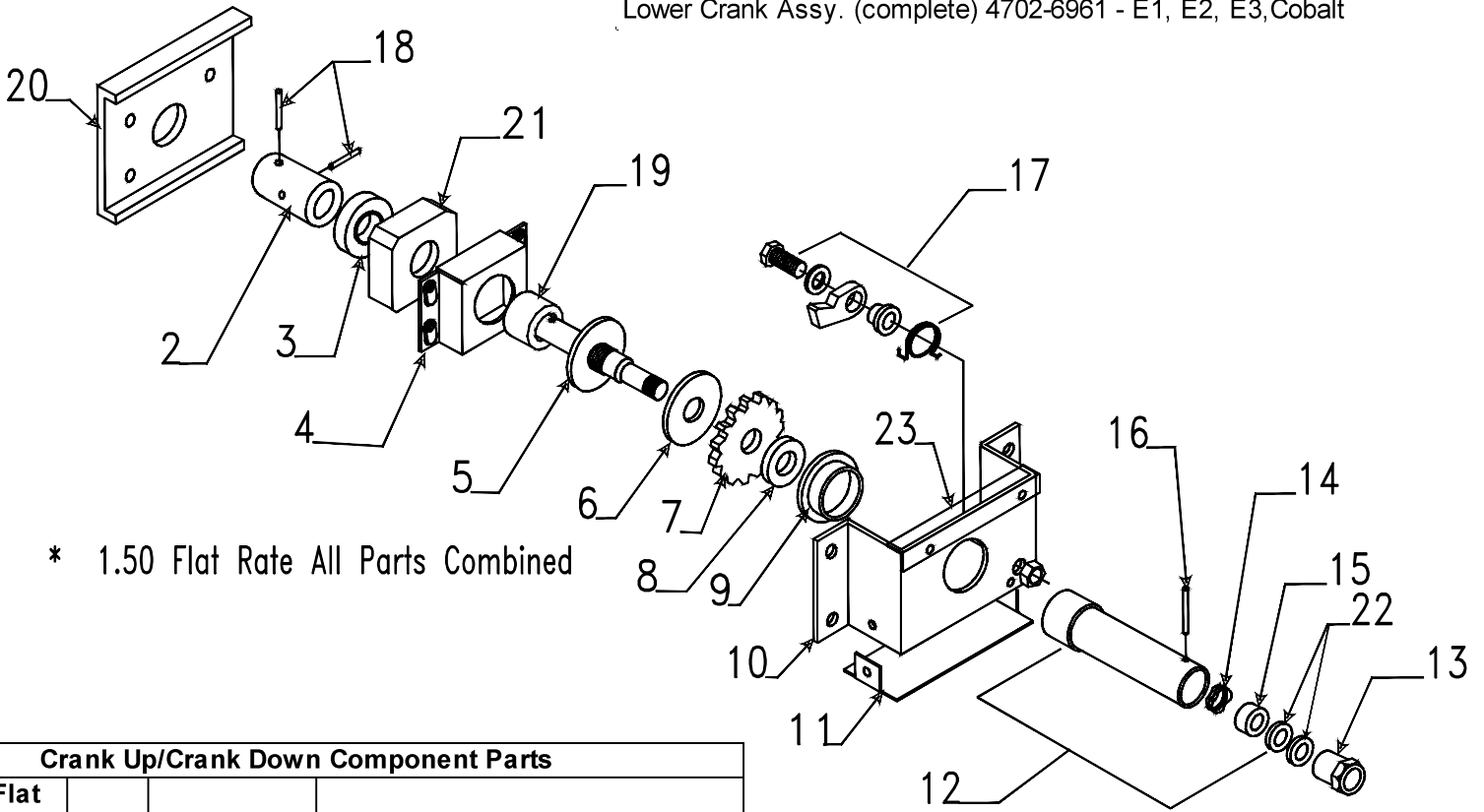


Tongue Jack Assembly (4720C6661) - Cobalt only			
Flat Rate .10 Jack Removal			
FR	Code	Part #	Description
0.15	1	4716-1951	jack handle kit
0.15	2	4716-1981	locking plunger kit
0.10	3	4720A3341	snap ring
0.25	4	4716-1971	jack wheel nut & bolt



1.50 FLAT RATE

Lower Crank Assy. (complete) 4702-6961 - E1, E2, E3, Cobalt

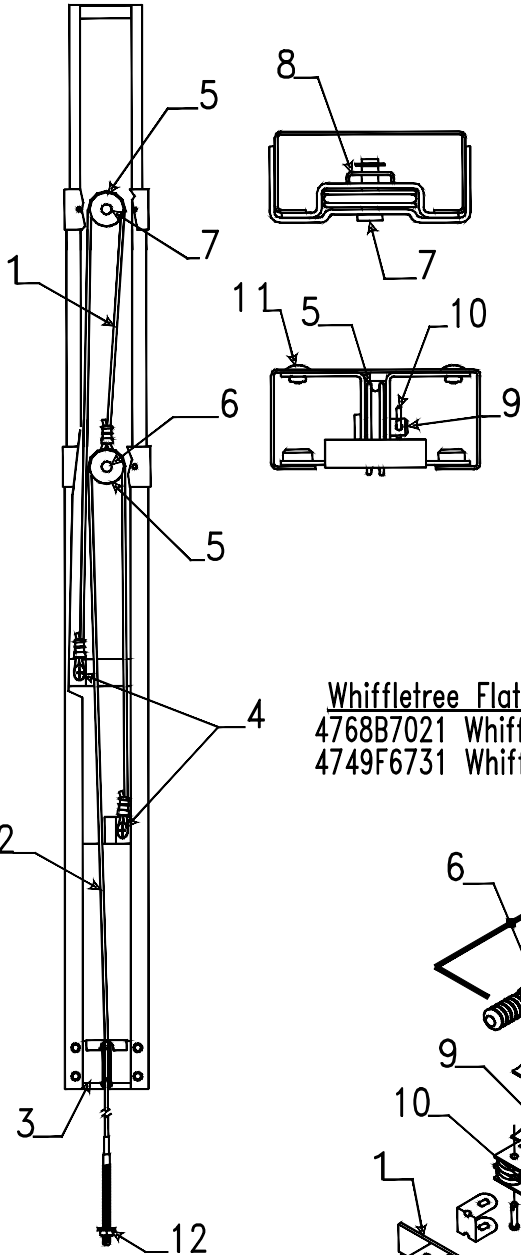


* 1.50 Flat Rate All Parts Combined

Crank Up/Crank Down Component Parts			
Flat Rate	Code	Part #	Description
	1		
1.50	2	4756-8301	bushing 1 13/16"
1.50	3	4720C2421	thrust bearing
*	4	4750A9251	bearing housing
		4738A0898	hex bolt x4
*	5	4751A3701	drive shaft & nut
*	6	4751-3561	pressure plate
*	7	4751-4831	ratchet wheel
*	8	4751-3581	pressure washer
*	9	4751A3591	shaft bushing
*	10	4751B3691	crank housing
		4731-3878	hex head bolt x4
		1201B6038	lock nut x4
*	11	4751-3721	housing cover plate
		1203-8641	rivet m25
0.75	12	4716A1741	drive hub ext. pkg.
		Note: pkg. Includes parts marked w/* asterisk	
	13	*4751B3551	5/8" nut
0.50	14	*4752-3921	handle spring x1 m2
0.50	15	*4751-4671	nylon washer x1
0.10	16	*4747A9451	spiral roll pin x1 m6
0.60	17	4716-1221	ratchet pawl pkg.
1.00	18	4744B1301	shear pin x1 m10
1.50	19	4756A8311	spacer bushing
	20	4720F2411	plate "painted"
1.50	21	4756-8441	square spacer
	22	4757-3938	washer x2
	23	4767-0081	crank cover "top"

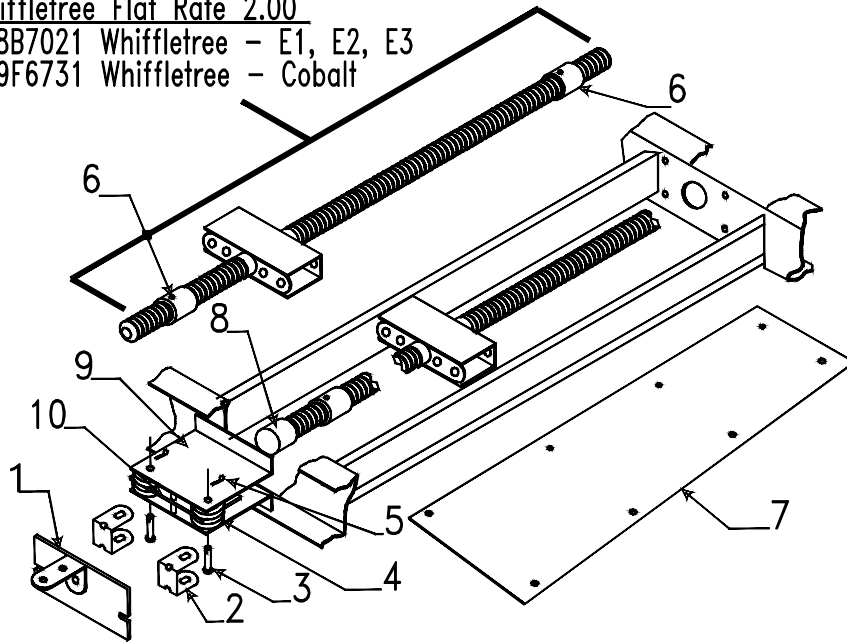
Flat Rate 1.25

4716A0031	lift assy. roadside rear/curbside front - E1, E2, E3
4716A0041	lift assy. roadside front/curbside rear - E1, E2, E3
4716-0051	lift assy. roadside rear/curbside front - Cobalt
4716-0061	lift assy. roadside front/curbside rear - Cobalt

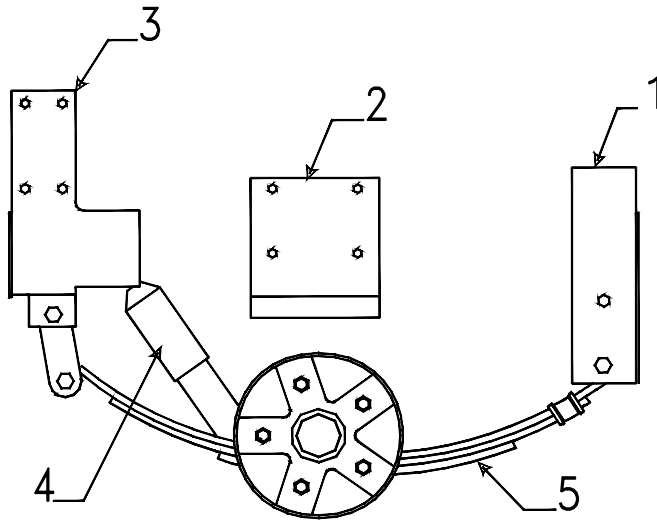


Lift Assembly Component Parts			
Flat Rate	Code	Part #	Description
0.75	1	4720D5271	cable assy. x1 m2
		4720C1691	cable crimp m20
1.25	2	4773A2291	225 3/4" long cable & crimp
		4744-1318	copper cable crimp m10
1.25	3	4731C5801	butterfly bracket assy.
0.05	4	4749-2081	screw m6
0.50	5	4715A5371	steel pulley & bearing m10
0.25	6	4747-8931	long pin x2
		4730B0981	retaining ring m12
0.25	7	4749-4061	short pin m4
		4730B0981	retaining ring m12
0.25	8	4749A2028	retaining clip
0.45	9	4720C1578	lift pin m4
	10	1204B1081	cotter pin m10
	11	1203-8641	rivet m25
	12	1201B6378	1/4" lock nut
		1202E0408	washer

Whiffletree Flat Rate 2.00
 4768B7021 Whiffletree - E1, E2, E3
 4749F6731 Whiffletree - Cobalt



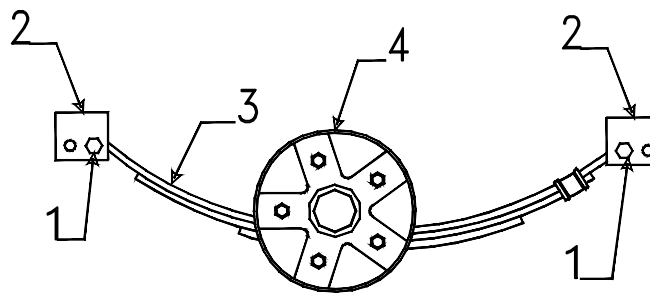
Whiffletree & Related Parts							
Flat Rate	Code	Part #	Description	Flat Rate	Code	Part #	Description
0.15	1	4749A821	mud flap & brkt.	0.25	7	4752D4921	whiffletree pan cover
0.5	2	4744B1741	cable retainer x2			4741A9101	tek screw m25
0.2	3	4720J1561	long pin m4	(fasten pan in place)			
0.5	4	4715A5371	pulley & bearing m10	2	8	4730D1291	screw socket (welded)(dexter tcan0239)
0.1	5	1204B1081	cotter pin m10	2	9	4720-1551	pulley plate (cs00025)
1.6	6	4773-8808	bushing 2 1/4"	0.5	10	4720F1541	pulley spacer
1.6		4710C4248	bushing 3/4"				
		4744B1301	shear pin m10				



4701-0411 3500 lb. Brake Axle Assy - 10" hubs (Complete) - E1, E2, E3 - F.R. 1.25
 NOTE: Refer to Dexter Axle for required part (s) phone - 219/295-1900

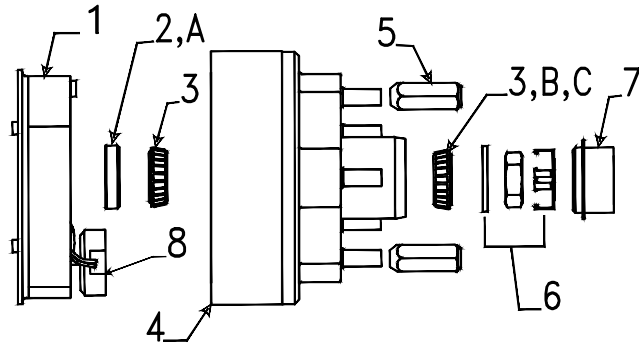
Undercarriage Components			
Flat Rate	Code	Part #	Description
*	1	4701-502	frt. hanger brkt.(dexter sub0023)
0.25	2	4701A5041	axle stop brkt.
*	3	4701-506	rear hanger assy.(dexter sub00824 right)
*			rear hanger assy.(dexter sub00825 left)
0.25	4	4701A0261	shock kit
0.75	5	Must order through Dexter Axle	

* Prior Authorization Needed from Factory



F.R. 1.25
 4701G2881 2200 lb. Brake Axle Assy - 7" hubs (Complete) - 4428 Cobalt

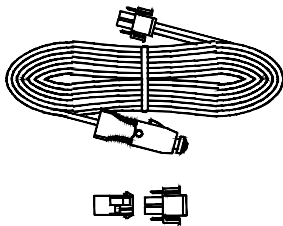
Axle & Spring Components - 4328 Cobalt			
Flat Rate	Code	Part #	Description
0.25	1	4737A1318	shackle bolt
		4741-9498	shackle bolt nut
2	2	4741A3398	spring shackle (dexter tch279)
0.75	3	Must order through Dexter Axle	
	4	4716A1071	7" hub & drum



Flat Rate .50 Per Side			
Electric Brake Pkg. 7" x 1 1/4" (4714H2011) - 4428 Cobalt			
Electric Brake Pkg. 10" x 2 1/4" (4714J2011) - E1, E2, E3			
FR	Code	Part #	Description
0.5	1	4733A3521	7" brake assembly (right hand)
0.5		4733A3531	7" brake assembly (left hand)
0.5		4716-6251	10" brake assembly (right hand)
0.5		4716-6261	10" brake assembly (left hand)
0.5	2	4714A2201	7" grease seal x1 m4
0.5		4716-1441	10" grease seal x1 m4
0.5	3	4716-1101	7" bearing, race & seal pkg.
0.5		4716-1451	10" bearing, race & seal pkg.
0.3	4	4716A1071	7" hub & drum x2
0.3		4716-1431	10" hub & drum x2
0.05	5	4772A3601	lug nuts "ss" m5 - E1, E2, E3
0.05		4747A9528	lug nuts x5 - Cobalt
0.1	6	4714A3061	retainer package
0.05	7	4714C0621	EZ lube grease cap m4
0.4	8	47136-2881	10" magnet, spring & clip pkg.

Crossover Numbers To Purchase Locally	
A	13194TM or 198138SP21 Grease Seal (7" hub) 171255VB Grease Seal (10" hub)
B	L44649 Bearing (7" hub x2/ 10" hub x1 "outer") L68149 Bearing (large inner x1 10" hub only)
C	L44610 Race (7" hub x2/10" hub x1 "outer") L68111 Race (large inner x1 10" hub)

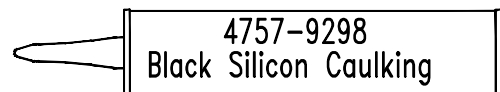
4733D6701 auto extension



4716A4701 12 volt cap & plug m2



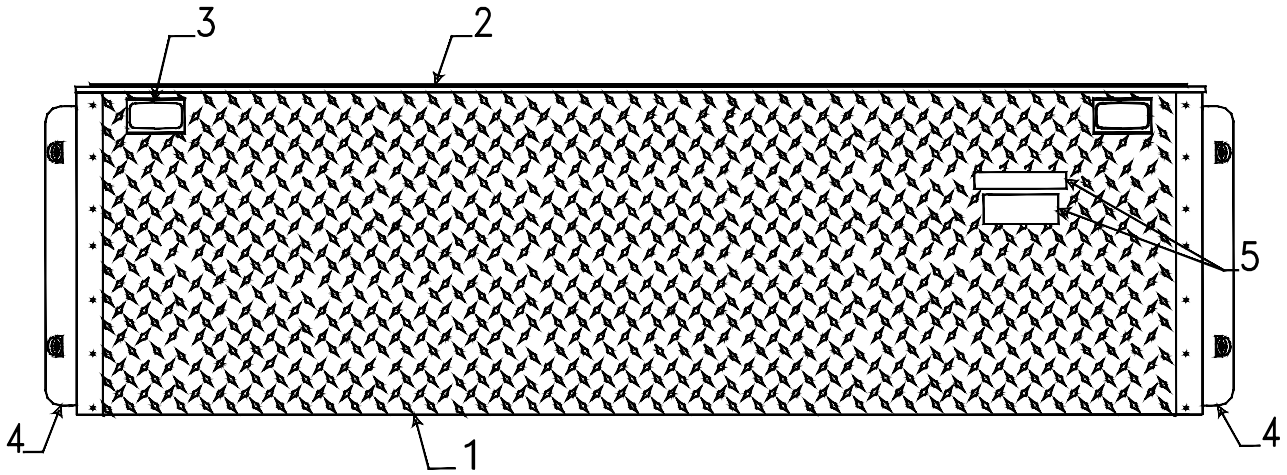
16 oz. spray



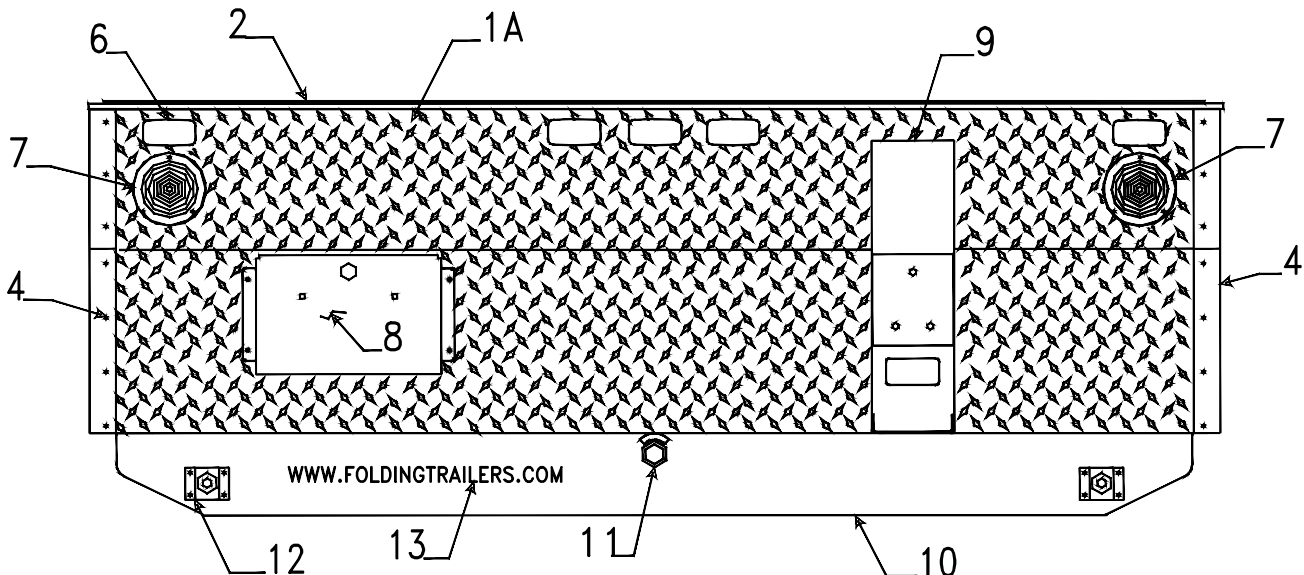
4757-9298
Black Silicon Caulking

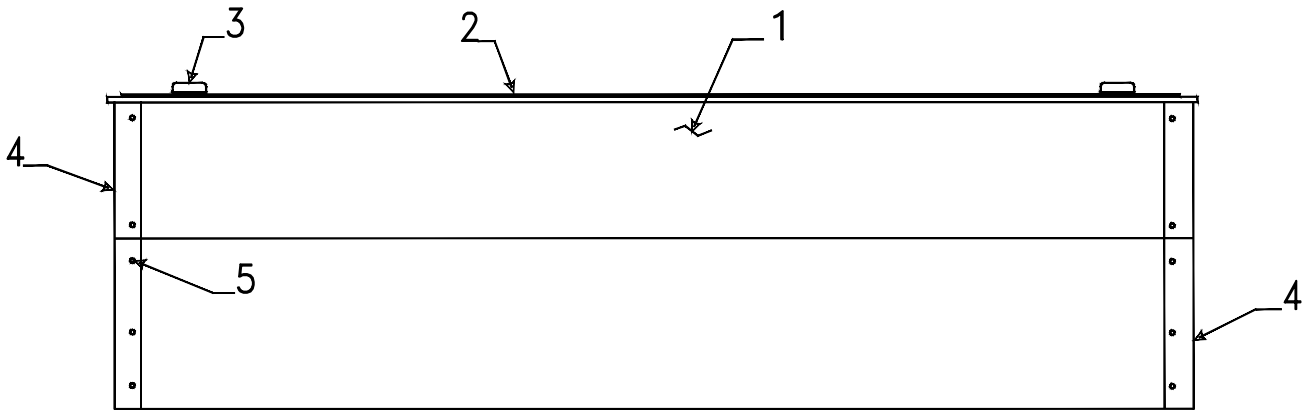
4768-3058
Caulking "Black"

0008-2571 black (tongue paint)
0008-2641 black textured (frame paint)
0008-2691 grey textured (body panel paint)

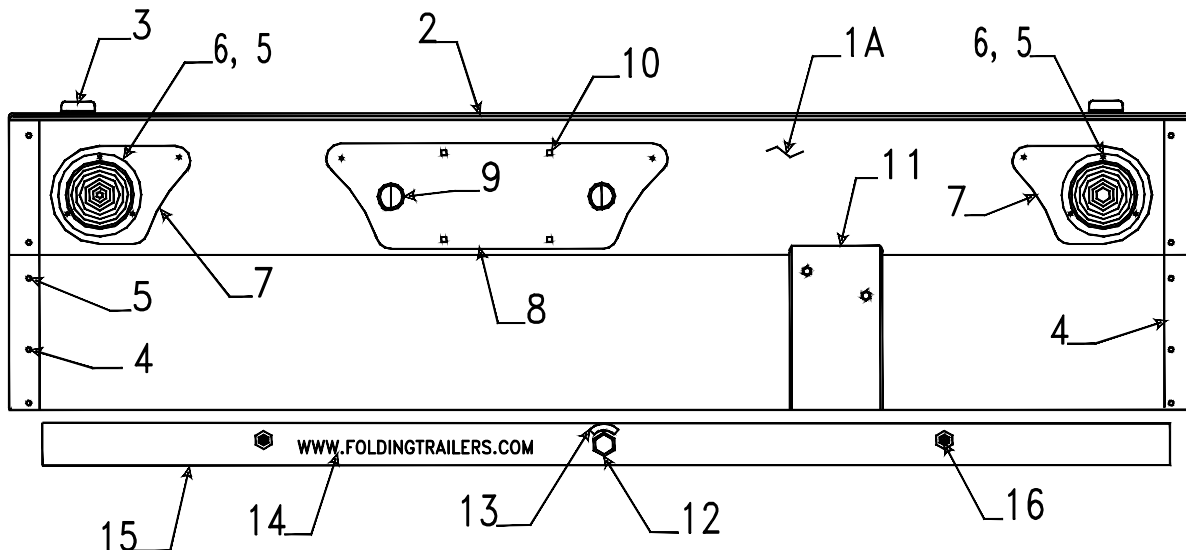


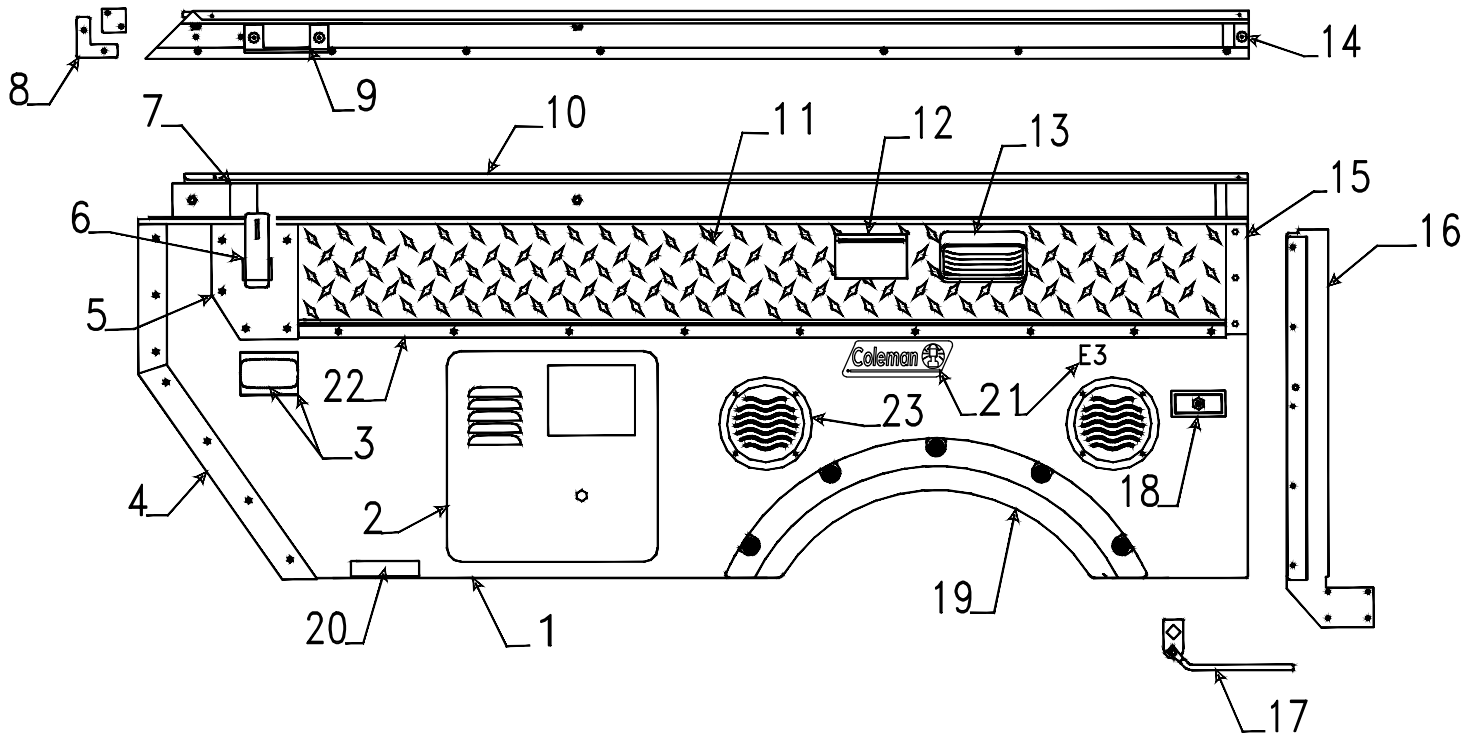
Front & Rear Body Panel Components - E1, E2, E3							
Flat Rate	Code	Part #	Description	Flat Rate	Code	Part #	Description
2.00	1	4701A0571	front body pnl. - E1	0.15	6	4714J08581	red marker light
1.50		4702C0011	front body pnl. - E2, E3	0.10		4716A4561	red lens (lens only)
2.50	1A	4701A0591	rear body pnl. - E1, E2, E3	0.20	7	4701A0601	taillight w/gasket x2
0.75	2	4754D8681	front end rail	0.20		4701-1681	taillight gasket
0.75		4759C1951	rear end rail			4733G0601	rivet "black" m25
		1203-8651	rivet x5 m25	0.20	8	4701-0981	license plate holder
0.15	3	4714J08481	amber marker light			4733G0601	rivet "black" m25
0.10		4716A4571	amber lens (lens only)	0.15		4739B4311	tag light
0.25		4733H1311	socket & harness	0.05		4732-1181	plastic grommet m4
		4747-2558	expansion rivet m25	0.05		1121C1618	license plate screw x2
0.25		4701-0581	marker light shield	0.25	9	4701A5641	spare tire mount
		4701-1728	shield gasket	0.05		4772-3601	lug nut m5
0.30	4	4701B0961	trim (csr E1) (csr E2, E3)			4701-1771	1/2" - 20 x 1 3/4 bolt x3
0.30		4701B0971	trim (rsr E1) (rsr E2, E3)			4701-1761	1/2" - 20 lock nut x3
0.30		4701-9721	corner trim csf/rsf - E1	0.30	10	4701B0881	bumper E1, E2, E3
0.30		4702-5241	corner angle assy. csf E2, E3	0.10	11	4733-2741	2" snap bushing
0.30		4702-5251	corner angle assy. rsf E2, E3	0.10		4730J3188	open decal
		4733G0601	rivet "black" m25	0.10	12	4716-0671	bed leg pin pkg.
		4758-9921	tek screw "black" m12	0.10	13	4769-9218	www.com decal
0.05	5	4759A8488	lp gas decal				
0.05		4730K213C8	gas piping decal				





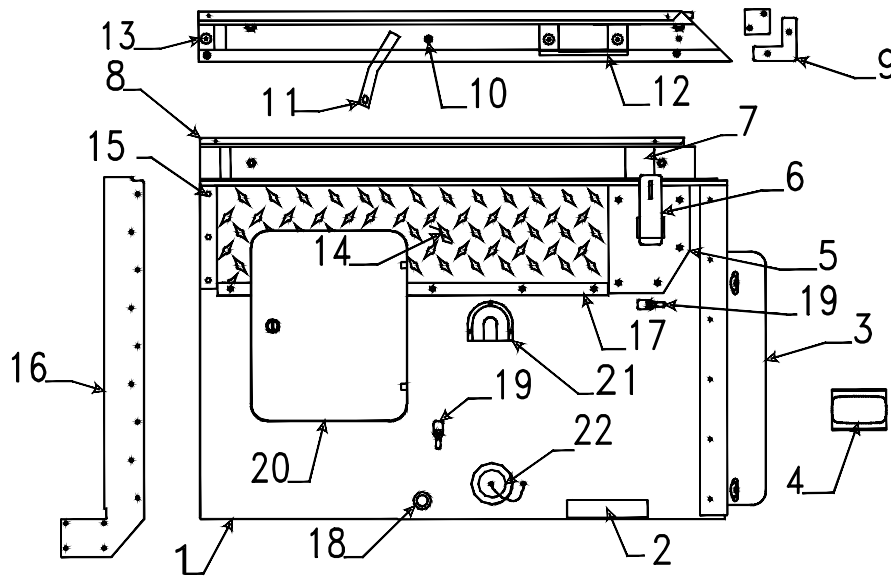
Frnt./Rear Body Pnl. Components - Cobalt			
Flat Rate	Code	Part #	Description
1.50	1	4747J5431	front body panel
2.50	1A	4702-9561	rear body panel
0.75	2	4747F0791	frt./rear end rail
		1203-8651	rivet m25
0.25	3	4749B4731	bed stop angle
		1203C8751	steel rivet m25
0.30	4	4701-8101	body corner trim csf/rsr
0.30		4701-8111	body corner trim rsf/csr
	5	4701-2531	rivet "black" m25
0.20	6	4701A0601	taillight w/rivets
0.25	7	4701A9151	taillight backer "black"
0.25	8	4701-9131	license plate backer "black"
0.15	9	4739B4311	tag light x2
0.05	10	4732-1181	plastic grommet m4
0.25	11	4701C6811	spare tire mount
		4772A4101	mounting bolts x2
0.10	12	4733-2741	2" snap bushing
0.10	13	4730J3188	open decal
0.10	14	4769-9211	www.com decal
0.30	15	4701A8151	bumper
0.25	16	1032B24248	bolt x2
		1202B0468	washer x6 m10
		1202B1068	washer x2 m12
		1201B6068	nut x2



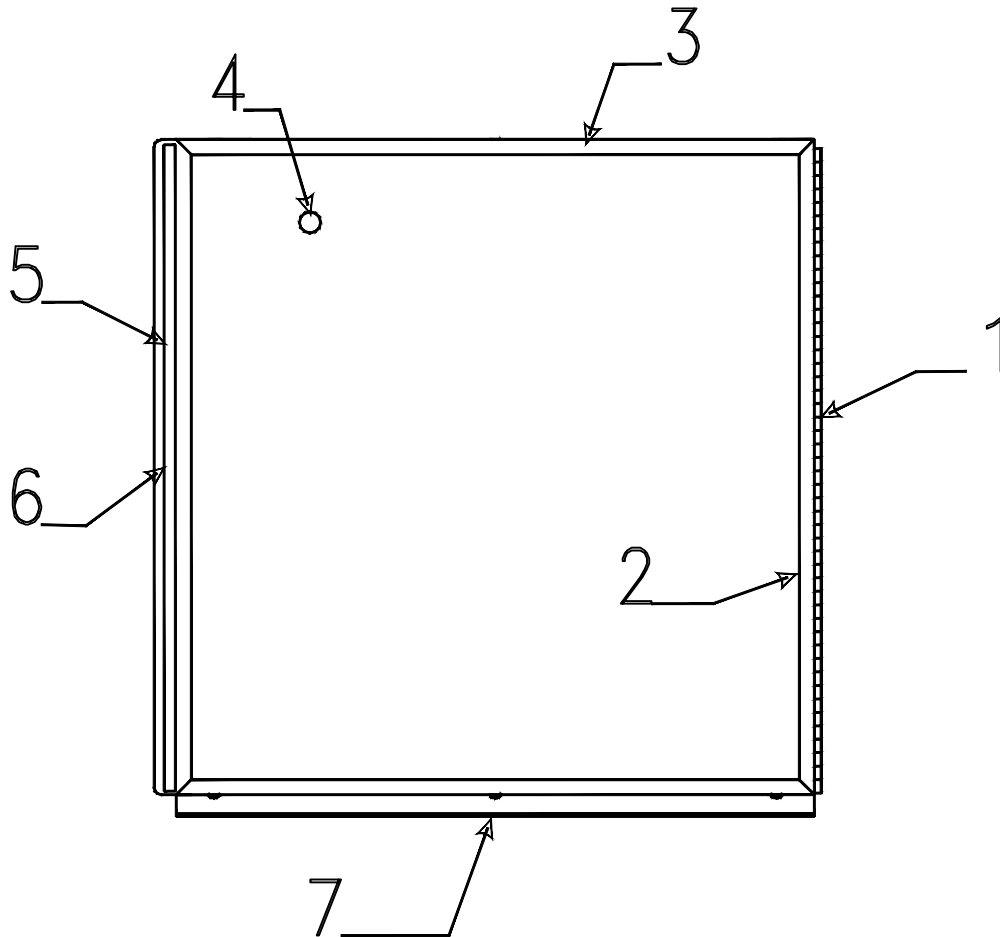


* Add .50 for water heater

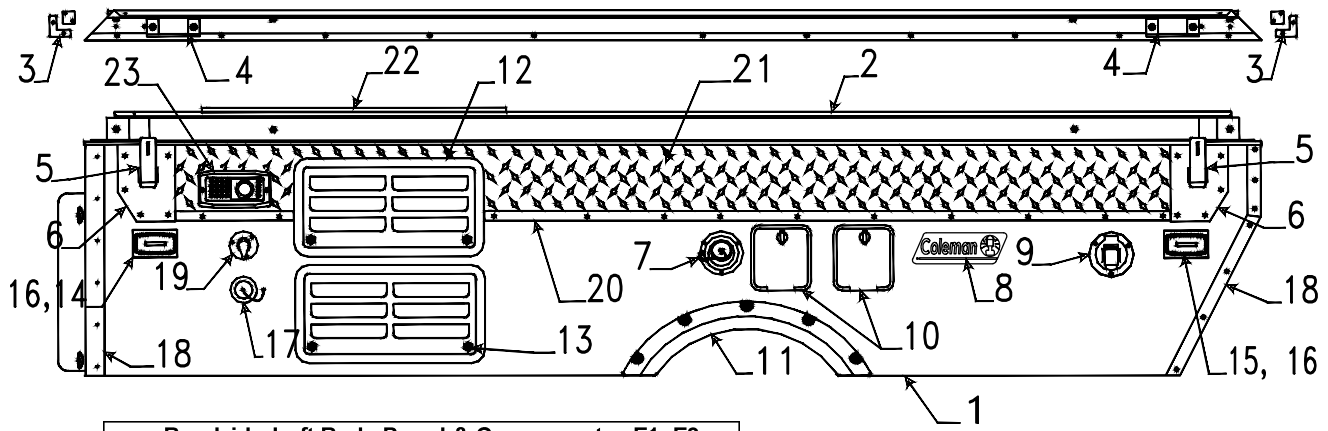
Curbside Rear Body Pnl. & Components - E1, E2, E3							
Flat Rate	Code	Part #	Description	Fate Rate	Code	Part #	Description
*1.50	1	4701K061S1	csr body panel "silver" E1	0.75	11	4702A1371	csr diamond plate E3
*1.50		4702D023S1	csr body panel "silver" E2	0.75		4701A0671	csr diamond plate E1
*1.50		4702F174S1	csr body panel "silver" E3	0.75		4702A0201	csr diamond plate E2
0.25	2	4701-2391	water heater door	0.25	12	4701-1091	duplex outlet & cover
0.15	3	4714J08581	red marker light	0.35		4746-3871	duplex box
0.10		4716A4561	red lens (lens only)	0.25	13	4701-0631	porch light & gasket
0.25		4701-0581	marker light shield	0.10		4716A5511	porch light lens "amber"
0.15		4701-1728	shield gasket		14	1203-8831	rivet m25
0.30	4	4701B0961	csr corner trim	0.15	15	4701A0691	doorway trim
		4733G0601	rivet "black" m25	1.25	16	4701A5191	door bulkhead csr
		4758-9921	tek screw "black" m12	1.00	17	4754-1691	latch, strike & lever
0.25	5	4701A0701	top latch plate	1.00	18	4730C3111	lock handle (with key)
		4733G0601	rivet "black" m25	0.25	19	4701A0461	wheel well trim
0.15	6	4701A0951	top latch	0.05		4739F2901	chrome snap cap m12
		4741A9101	hex head tek screw m10		20		
0.10	7	4716-2771	vel-stick body rail pkg.	0.25	21	4769-9238	Coleman decal
0.15	8	4716-7061	miter cover pkg. M4	0.25		4701-4788	E1 name decal - 4447
0.25	9	4734F4121	lift trim pkg. m4	0.25		4701-4808	E2 name decal - 4444
		4733-3398	nylon flange bushing x2	0.25		4701-4798	E3 name decal - 4437
1.00	10	4701B0621	csr body rail - E1	0.30	22	4702-1381	stove support rail 73 11/16"
1.00		4702A0241	csr body rail - E2				(must cut to size)
1.00		4702C1361	csr body rail - E3	0.15	23	4702A2051	outside speaker x2 "black"



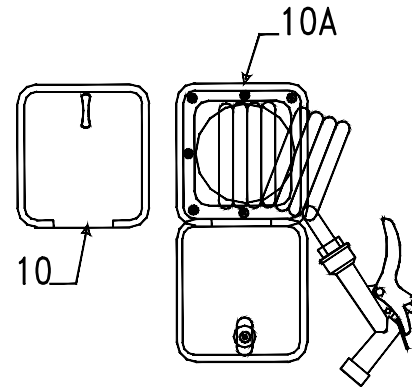
CS Front Body Pnl. & Components - E1, E2, E3			
FR	Code	Part #	Description
1.00	1	4701B084S1	csf body panel silver - E1
1.00		4701A975S1	csf body panel silver - E2
1.00		4702B173S1	csf body panel silver - E3
	2	4060050008P	foam tape pkg.(12' pc.)
0.30	3	4701-9721	csf corner trim - E1
0.30		4702-5241	corner assy. csf - E2, E3
		4733G0601	rivet "black" m25
		4758-9921	tek screw "black" m12
0.15	4	4714J08481	amber marker light
0.10		4716A4571	amber lens (lens only)
0.25		4701-0581	marker light shield
0.15		4701-1728	shield gasket
0.25	5	4701A0791	top latch plate
		4733G0601	rivet "black" m25
0.15	6	4701A0951	top latch
		4741A9101	hex head tek screw m10
0.10	7	4716-2771	vel-stick body rail pkg.
1.00	8	4701B0861	csf body rail - E1
1.00		4701C9731	csf body rail - E2
1.00		4702C1391	csf body rail - E3
0.15	9	4716-7061	miter cover pkg. m4
0.05	10	4730A3548	stud & screw
0.10	11	4701A5251	door strap
		4758-8001	rivet m25
0.25	12	4734F4121	lift trim pkg. m4
		4733-3398	nylon flange bushing x2
	13	1203-8831	rivet m25
0.60	14	4701-9771	diamond plate - E1, E2
0.60		4702B1401	diamond plate - E3
0.15	15	4701A0691	doorway trim
1.25	16	4701A5201	door bulkhead csf
0.15	17	4701-9741	trim
		4733G0601	rivet "black" m25
0.10	18	4701-1851	rubber door stop
0.15	19	4702-0321	turn latch & rivet "black"
1.00	20	4702-5521	potty door "black" - E3
0.15	21	4702-0261	vent cover "black" - E3
0.1	22	4701-1881	drain cap & strap - E3



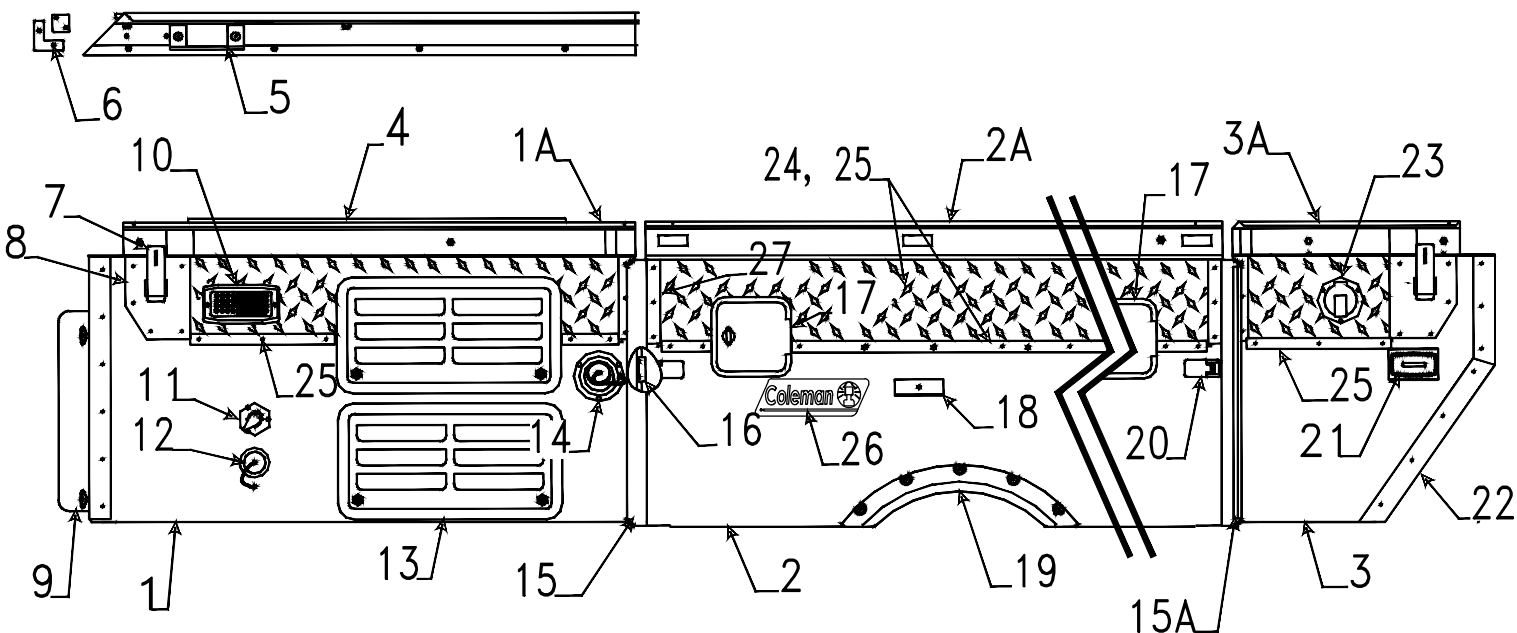
4701A5271 Access Door Assy. E1, E2, E3			
Flat Rate		.50	
Access Door Assembly Components			
Flat Rate	Code	Part #	Description
0.25	1	4701A0851	door hinge
0.35	2	4701-0901	door frame
0.25	3	4701-0891	door cap
0.05	4	4730A3548	stud & screw
0.20	5	4060000402P	d-seal pkg. "black" (5' pc.)
0.25	6	4701A0911	door frame
		4759-1401	screw x2 m12
0.25	7	4701-0921	bottom trim
		1103E10161	screw x2 m12



Roadside Left Body Panel & Components - E1, E2			
Flat Rate	Code	Part #	Description
*2.75	1	4701G075S1	left side body pnl. "silver" - E1
*2.75		4701D986S1	left side body pnl. "silver" - E2
3.00	2	4702B2751	left side body rail - E1
3.00		4701C9821	left side body rail - E2
0.10		4716-2771	vel-stick body rail pkg.
		4757-0731	wire grommet & nut
0.15	3	4716-7061	inner/outer miter cover pkg. m4
0.25	4	4734F4121	lift trim. m4
		4733-3398	nylon flange bushing
		4744A9581	lift trim gasket
0.15	5	4701A0951	top latch
		4701-1738	foam pad
0.25	6	4701A0701	top latch plate rsf
0.25		4701A0791	top latch plate rsr
0.30	7	4701-0771	water tank spout
0.25	8	4769-9238	Coleman decal
0.15	9	4701-0761	cable hatch
0.30	10	4701-2401	faucet & hatch assy.
0.30	10A	4701-2411	hose storage container
0.15		4701-2421	coiled hose & nozzle
0.25	11	4701A0461	wheel well trim
		4739F2901	chrome snap cap m12
		4060050008P	1/2" x 1" foam tape pkg. (12' pc.)
0.50	12	4701-2321	refrigerator vent "black" x2
0.10	13	4716-4441	reefer vent clasp m4
0.15	14	4714J08481	amber marker light x4
0.10		4716A4571	amber lens (lens only)
0.25		4733H1311	socket & harness
		4747-2558	expansion rivet m25
0.15	15	4714J08581	red marker light
0.10		4716A4561	red lens (lens only)
0.25	16	4701-0581	marker light shield
0.15		4701-1728	shield gasket
0.10	17	4701-1881	drain cap & strap
0.30	18	4701B0961	corner trim (csr E1) (csr E2)
0.30		4701B0971	corner trim (rsr E1) (rsr E2)
0.30		4701-9721	corner trim (csf/rsr E1)
0.30		4702-5241	corner angle assy. cs E2
0.30		4702-5251	corner angle assy. rs E2
		4758-9921	tek screw "black" m12
0.30	19	4701-0781	city fill
0.25	20	4701-9831	trim (must cut to size)
		4733G0601	rivet "black" m25
1.00	21	4701A9871	diamond plate (must cut to size)
0.25	22	4737B2211	curtain track 35 1/2"
		1203-8678	rivet m25
0.10	23	4741C9471	8" furnace vent

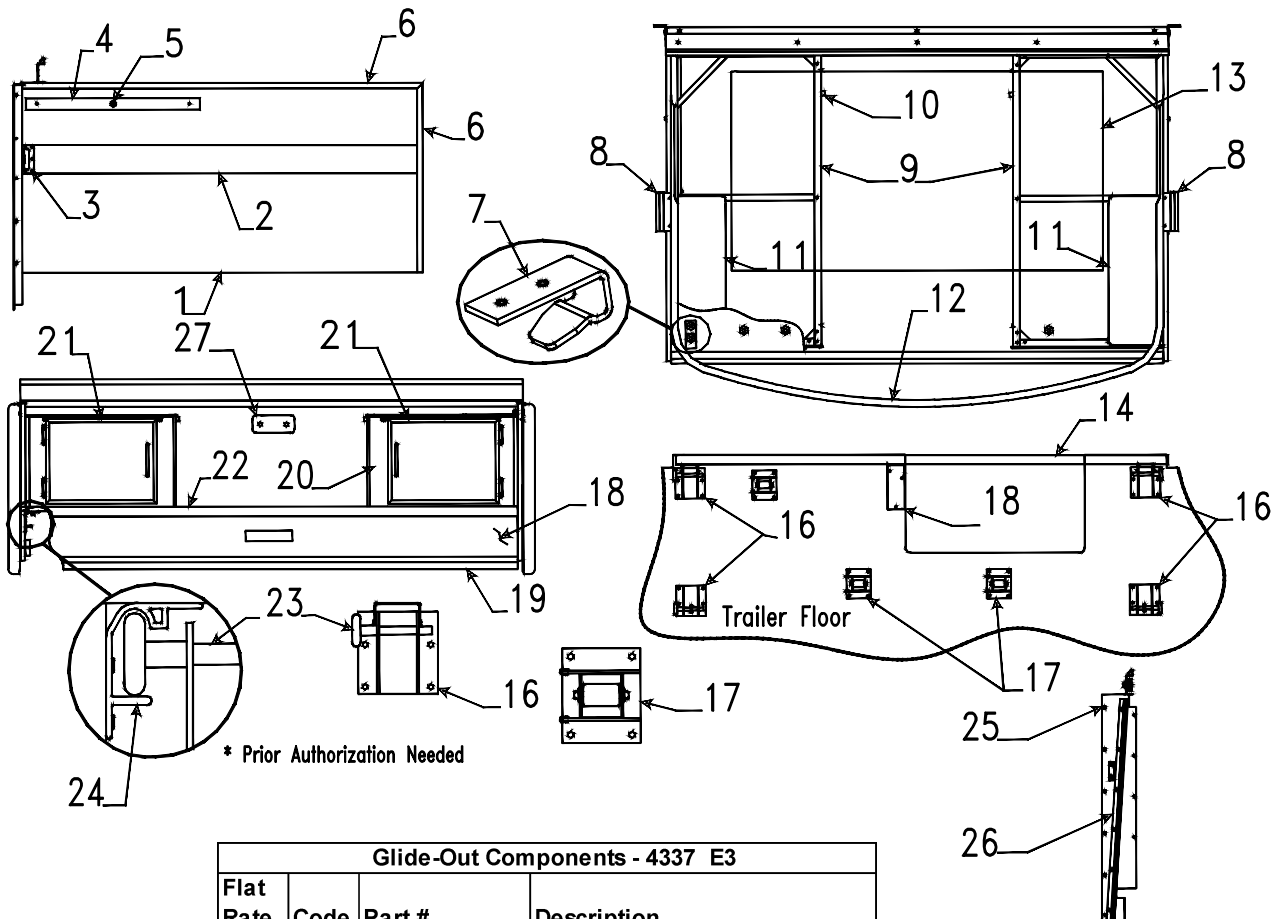


* Add .50 For Heater Vent
 * Add 1.00 For Refrigerator

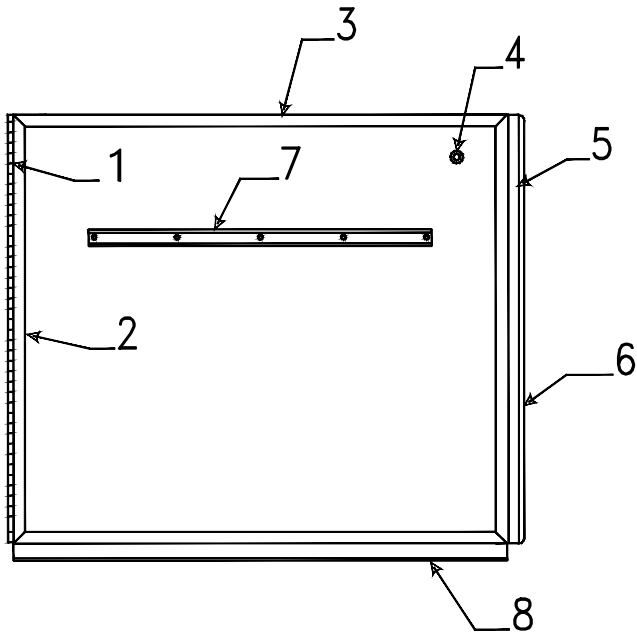


Roadside Body Panel & Components - 4437 E3

Flat Rate	Code	Part #	Description	Flat Rate	Code	Part #	Description
1.50	1	4702D168S1	lt. fit body panel "silver"	0.30	14	4701-0771	water tank spout
3.00	1A	4702D1511	left front body rail	0.25	15	4702A1041	glide-out angle seal "front"
0.10		4716-2771	vel-stick velcro pkg.	0.25		4702A1031	glide-out angle seal "rear"
1.00	2	4702A105S1	g/o body panel "silver"		15A	4060000402P	D-seal pkg. "black" (6' pkg.)
0.75	2A	4756A9951	glide-out body rail	0.75	16	4756B4171	strike w/screws
		4758-1721	vel-stick velcro 2" x 1 3/4"	0.30	17	4701-2401	faucet & hatch assy.
1.50	3	4702A171S1	lt. rear body panel "silver"	0.30		4701-2411	hose storage container
3.00	3A	4702D1501	left rear body rail			4701-2421	coiled hose & nozzle
0.10		4716-2771	vel-stick body rail pkg.	0.75	18	4756-1181	pull handle
		4757-0731	wire grommet & nut			4738-2608	tek screw "black"
0.25	4	4737B2211	curtain track 35 1/2"	0.25	19	4701A0461	wheel well trim
		1203-8678	rivet m25	0.05		4739F2901	chrome snap cap m12
0.25	5	4734F4121	lift trim pkg. m4	0.75	20	4755A4091	latch & gasket
0.15	6	4716-7061	miter cover pkg. m4	0.15	21	4714J08581	red marker light
0.15	7	4701A0951	top latch	0.10		4716A4561	red lens (lens only)
		4701-1738	foam pad	0.25		4701-0581	marker light shield
0.25	8	4701A0701	top latch plate rsf	0.15		4701-1728	shield gasket
0.25		4701A0791	top latch plate rsr	0.30	22	4701B0971	rsr corner trim
0.30	9	4702-5251	corner angle assy. rsf	0.15	23	4701-0761	cable hatch
0.10	10	4741C9471	8" furnace vent	1.00	24	4701A9871	diamond plate (must cut to size)
0.30	11	4701-0781	city fill	0.25	25	4701-9831	trim (must cut to size)
0.10	12	4701-1881	drain cap & strap			4733G0601	rivet "black" m25
0.50	13	4701-2321	refrigerator vent "black" x2	0.25	26	4769-9238	Coleman decal
0.10		4716-4441	reefer vent clasp m4	0.15	27	4701A0691	end trim

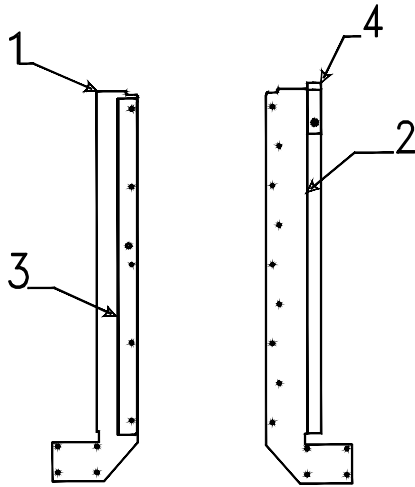


Glide-Out Components - 4337 E3			
Flat Rate	Code	Part #	Description
*	1	4702A5101	g/o side panel "rear"
*		4702A5111	g/o side panel "front"
0.50	2	4702-2021	ABS ware strip "black" x2
0.15	3	4756D2161	lock boot w/cover plate x2
0.25	4	4756-2431	vel-stick (must cut to size)
	5	4730A3548	stud w/screw x2
0.20	6	4060056204P	U-channel 48" pc.
0.50	7	4756-1201	glide-out catch x2
0.10	8	4756A1151	5 1/2" brush seal x2
	9	4773A7031	glide-out bench frames x2
0.05	10	4724-2608	stop button "plastic"
0.40	11	4756D6131	metal flip-up backrest x2
0.10	12	4756C2071	glide-out tent bow
1.25	13	3568803202P	ware plate "galvanized" 30x55
1.25	14	4702-5491	g/o cover plate assy. "black"
	15	4756A1361	cover support brkt. x1
1.25	16	4756C6591	outer tower x4
1.25	17	4756-6651	short tower roller assy. x3
0.25	18	4756F6041	wood kick plate assy.
0.50	19	4702-1661	1/2" vinyl sweep
0.25	20	6010515696P	luan panel "black"
0.15	21	4759F5011	door panel 12" x 16"
0.50	22	4757D2161	edge cap "black"
	23	4756-1161	glide-out roller x4
	24	4756A1251	glide-out roller track x2
1.65	25	4702-5401	g/o bulkhead left front
1.65		4702-5381	g/o bulkhead left rear
0.35	26	4702-1431	front g/o seal track
0.35		4702-1421	rear g/o seal track
		4064700589P	sweep seal "black" (8' pc. pkg.)
0.15	27	4755-4101	table rest block



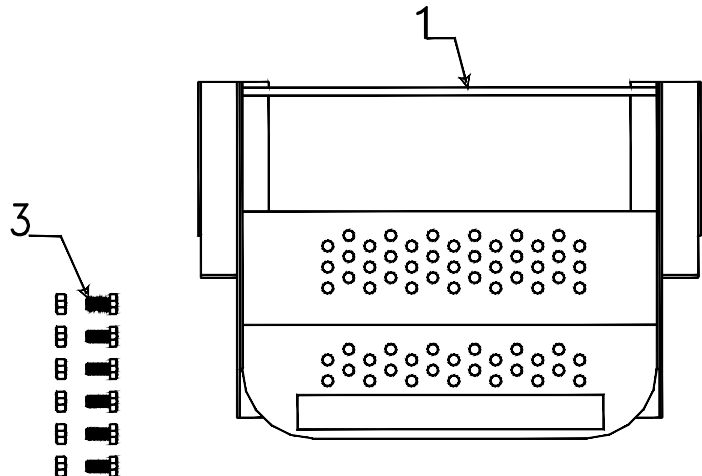
Access Door Flat Rate - .50

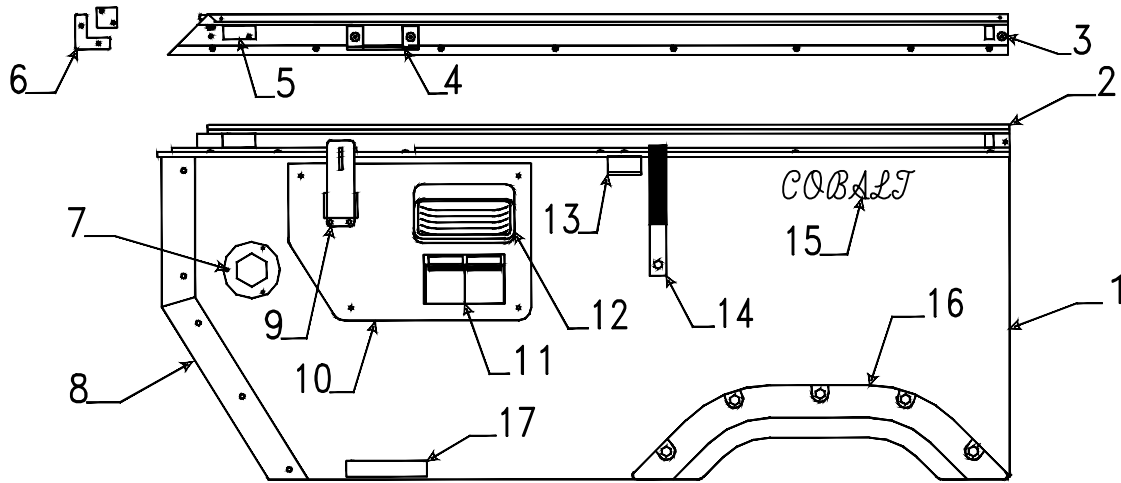
4702-7241 Access Door Assy. - 4428 Cobalt			
Access Door Assembly Components			
Flat Rate	Code	Part #	Description
0.25	1	4701-3111	door hinge
0.35	2	4701-3071	door frame side
0.25	3	4701-0891	door cap
	4	4730A3548	stud & screw
0.20	5	4060000402P	d-seal pkg. (5' pc.)
0.25	6	4701-3081	door frame side
		4759-1401	screw x2
0.25	7	4767-436G1	stove support brkt.
		1103E10161	screw x5
0.25	8	4701-0921	bottom trim



Door Bulkheads & Components - 4428 Cobalt			
Flat Rate	Code	Part #	Description
1.25	1	4747B0101	csr bulkhead
1.25	2	4747B0091	csf bulkhead
0.35	3	4749C3881	door seal angle
		4733G0601	rivet m25 "black"
	4	4748B4111	bed ramp brkt.

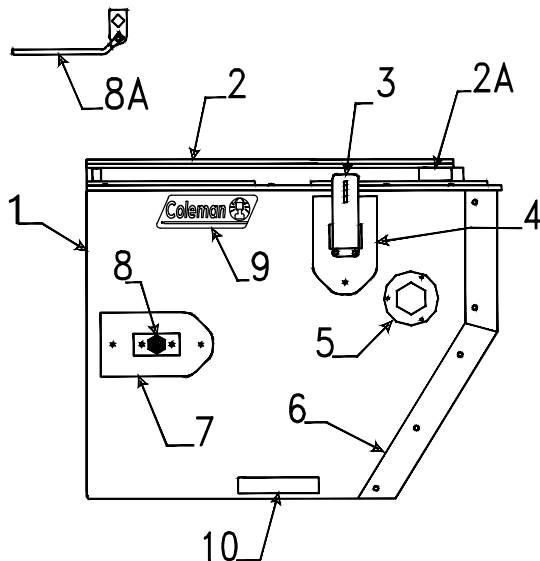
Step Components - 4428 Cobalt			
Flat Rate	Code	Part #	Description
0.5	1	4701B6821	step
	2		
	3	1200B3048	bolt x6
		1201B6068	nut x6



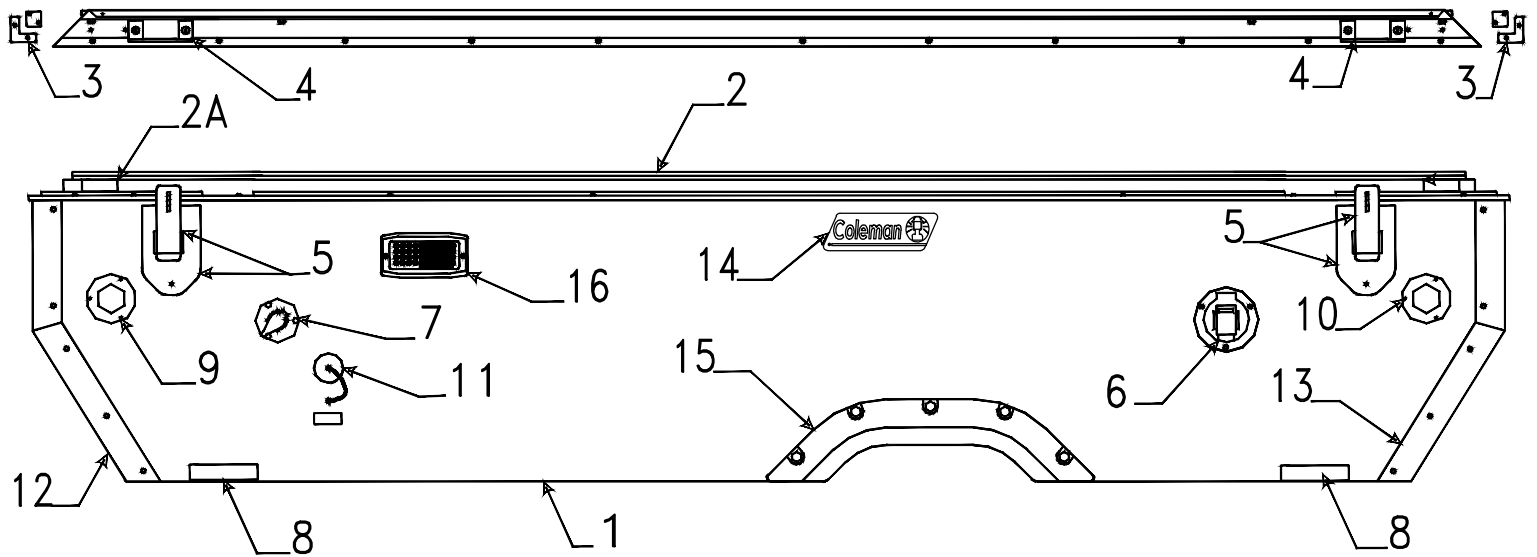


CSR Body Pnl. Components - 4428 Cobalt							
Flat Rate	Code	Part #	Description	Flat Rate	Code	Part #	Description
1.25	1	4702-9551	csr body panel	0.25	11	4701-1091	duplex cover & outlet
1.00	2	4701A4951	csr body rail	0.25	12	4701-0631	porch light
	3	1203-8831	rivet m25	0.1		4716A5511	porch light lens "amber"
0.25	4	4769-7981	lift trim pkg. m4		13	4701A4941	door stop brkt.
		4733-3398	nylon flange bushing x2			4066500053P	edge molding (8' pc. pkg.)
0.10	5	4716-2781	vel-stick body rail pkg.	0.1	14	4701-5251	access door strap
0.15	6	4716-7061	miter cover pkg. m4			1203C8721	rivet m25
0.20	7	4800A1451	red marker light			4733-3398	nylon flange bushing
		4758-9921	screw x3 "black" m12	0.05		4730A3548	stud & screw (loc. on rail)
0.30	8	4701-8111	body corner trim csr	0.25	15	4701-8288	cobalt logo
		4701-2531	rivet "black" m25	0.25	16	4701-9311	wheel well trim "plastic"
0.15	9	4701A0951	top latch "black"			1103B1012	screw 3/4"x10
		4749-4848	foam pad	0.05		4739F2901	chrome snap cap m12
		4744A0501	hex head tek screw m25		17	4060050008P	1" foam tape (12' pc. pkg.)
0.25	10	4701A9121	top latch backer csr				
		4701-2531	rivet "black" m25				

Note: Refer above for miter covers and lift trim

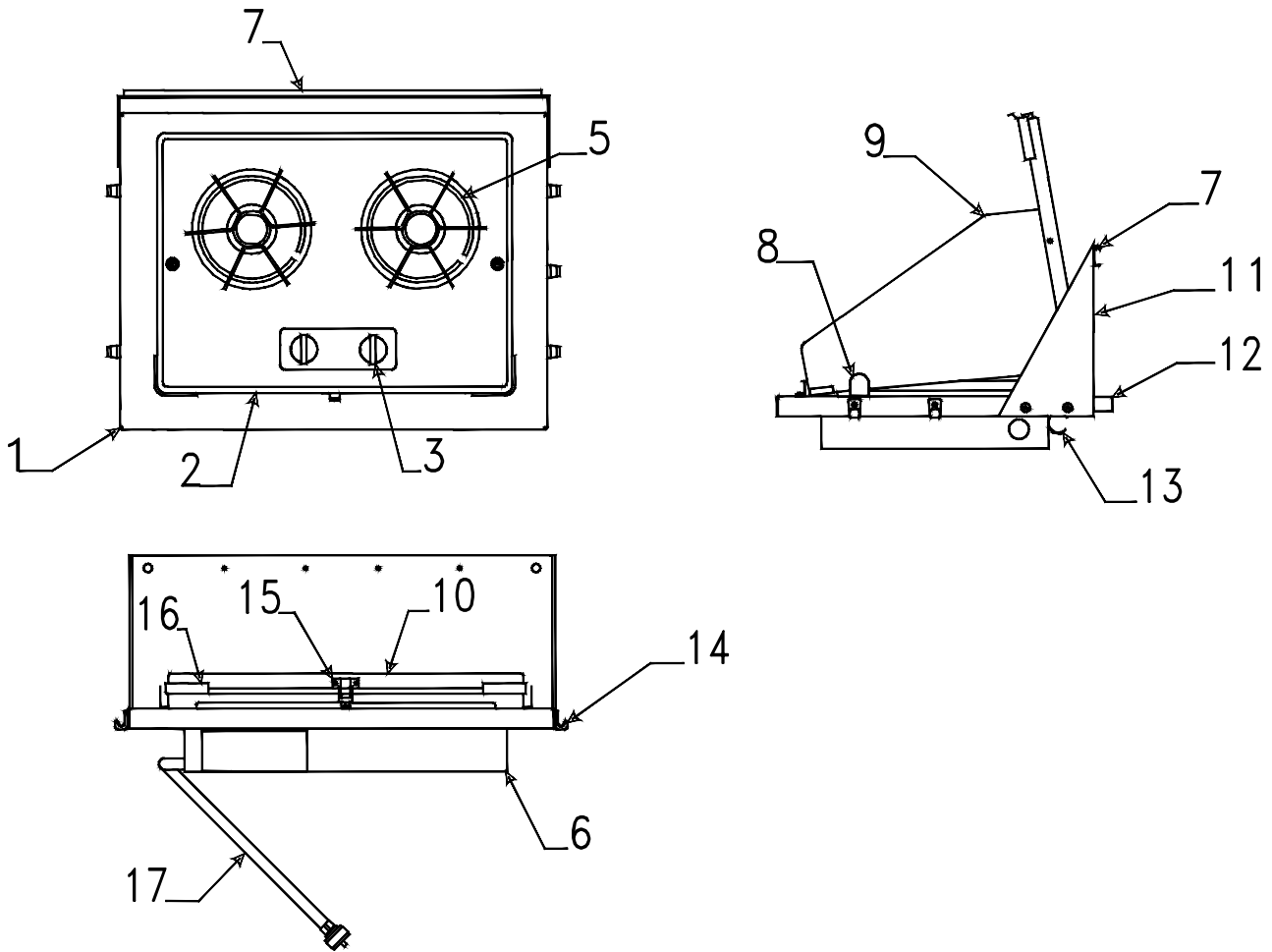


CSF Body Pnl. Components - Cobalt			
Flat Rate	Code	Part #	Description
1.00	1	4702-9531	csf body panel
1.00	2	4769A0851	csf body rail
0.10	2A	4716-2781	vel-stick body rail pkg.
0.15	3	4701A0951	top latch "black"
		4749-4848	foam pad
		4744A0501	hex head tek screw m25
0.25	4	4701-9161	top latch backer "black"
		4701-2531	rivet "black" m25
0.20	5	4701-9211	amber marker light
		4758-9921	screw x3 "black" m12
0.30	6	4701-8101	body corner trim csf
1.10	7	4701-9141	lock handle backer
		4701-2531	rivet "black" m25
1.00	8	4730C3111	lock handle (with key)
1.00	8A	4757-7361	latch, strike & lever
0.25	9	4769-9238	Coleman logo (black)
	10	4060050008P	1" foam tape (12' pc. pkg.)



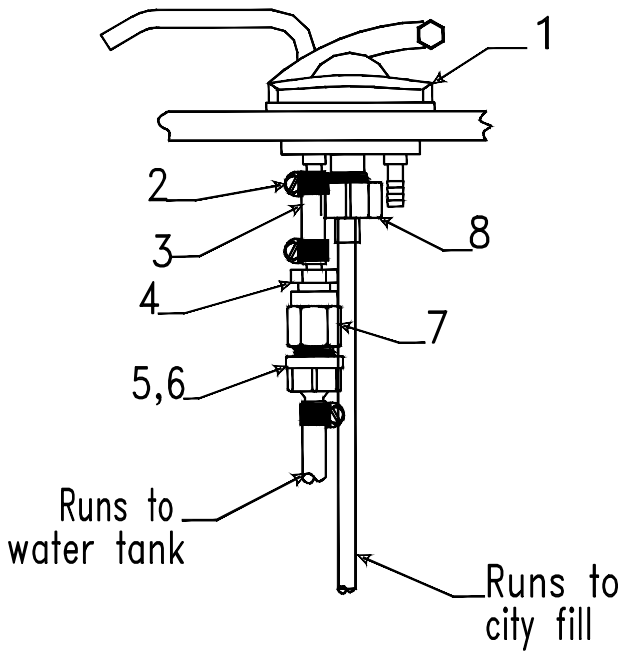
* Add .50 for heater vent

RS Left Body Panel & Components - 4428 Cobalt			
Flat Rate	Code	Part #	Description
*2.00	1	4702-9541	left side body panel
3.00	2	4769-0841	left side body rail
0.10	2A	4716-2781	vel-stick body rail pkg.
		4757-0731	wire grommet & nut
0.15	3	4716-7061	inner/outer miter cover pkg. m4
0.25	4	4769-7981	lift trim, rivets & gasket pkg. m4
0.15	5	4701A0951	top latch x2 "black"
		4744A0501	hex head tek screw m25
0.25		4701-9161	top latch backer plate
		4701-2531	rivet "black" m25
		4749-4848	foam pad
0.15	6	4701-0761	cable hatch
		4701-1698	cable hatch gasket
0.30	7	4701-0781	city fill
	8	4060050008P	1/2" x 1" foam tape pkg. (12' pc.)
0.20	9	4701-9211	amber marker light
		4758-9921	screw x3 "black" m12
0.20	10	4800A1451	red marker light
		4758-9921	screw x3 "black" m12
0.10	11	4701-1881	drain cap & strap
0.30	12	4701-8111	rsf corner trim
		4701-2531	rivet "black" m25
0.30	13	4701-8101	rsr corner trim
		4701-2531	rivet "black" m25
0.25	14	4769-9238	Coleman decal
0.25	15	4701-9311	wheel well trim "plastic"
		1103B1012	screw 3/4"
0.05		4739F2901	chrome snap cap m12
0.10	16	4741C9471	furnace vent 8"

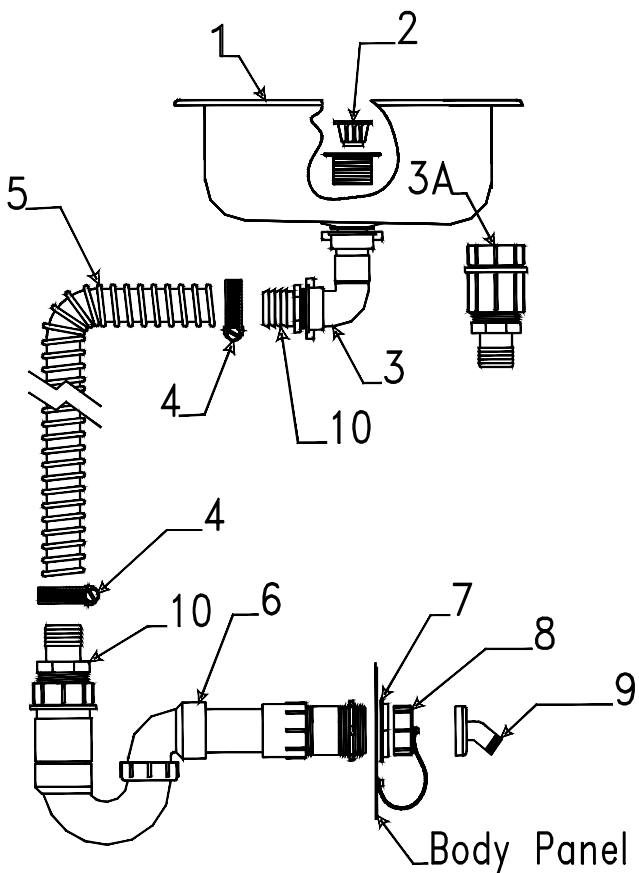


H. P. Outside Stove Assy. E1, E2, E3 - 4773C5851
 Vinyl H. P. Stove Storage Pouch - 4773-5861

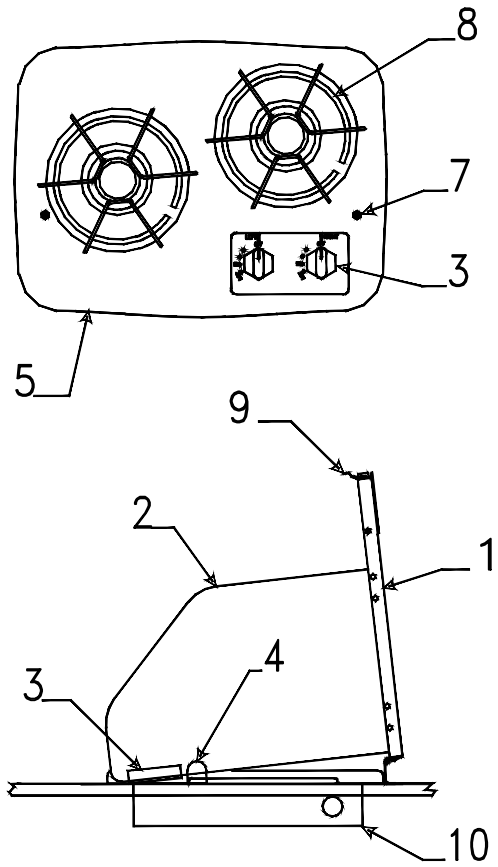
HP Outside Stove Components - E1, E2, E3			
FR	Code	Part #	Description
0.6	1	4773J0791	stove frame
0.15	2	4773-9411	2 burner cook top
0.15	3	4716B1861	stove knob
0.05	4		
0.05	5	4752B9881	grate x2
	6	4773-9241	stove box
0.25	7	4773-0811	stove hanger bracket
0.15	8	4773-4691	fin stay brkt. M2
	9	Note: Item not sold separately	
0.15	10	4773-9251	stove cover assy.
0.15		4742-9538	h.p stove decal
	11	4773B080	stove back brkt.
0.1	12	4766-0121	nylon spacer
0.15	13	4734-2431	gripper clip m4
0.15	14	4720E4021	lashing hook m6
0.15	15	4733-4018	latch
0.15		4733-4028	latch strike
0.05	16	4732A2291	edge molding m2
0.25	17	4746B9891	gas hose



Hand Pump & Related Parts - Cobalt			
Flat Rate	Code	Part #	Description
0.40	1	4767-3301	hand pump
		4716-081	screw x4
		4746A5421	pump hold down
	2	4731-3058	adjustable hose clamp
0.35	3	4714-038	3/8" h.p. Hose (sold/foot)
0.20	4	4732-4561	male adapter
0.20	5	4741-9568	barbed adapter
0.20	6	1202-5828	rubber washer
0.20		4754-4418	round filter screen
0.20	7	4741-9551	check valve "brass"
0.25	8	4769-1301	48" water line assy.

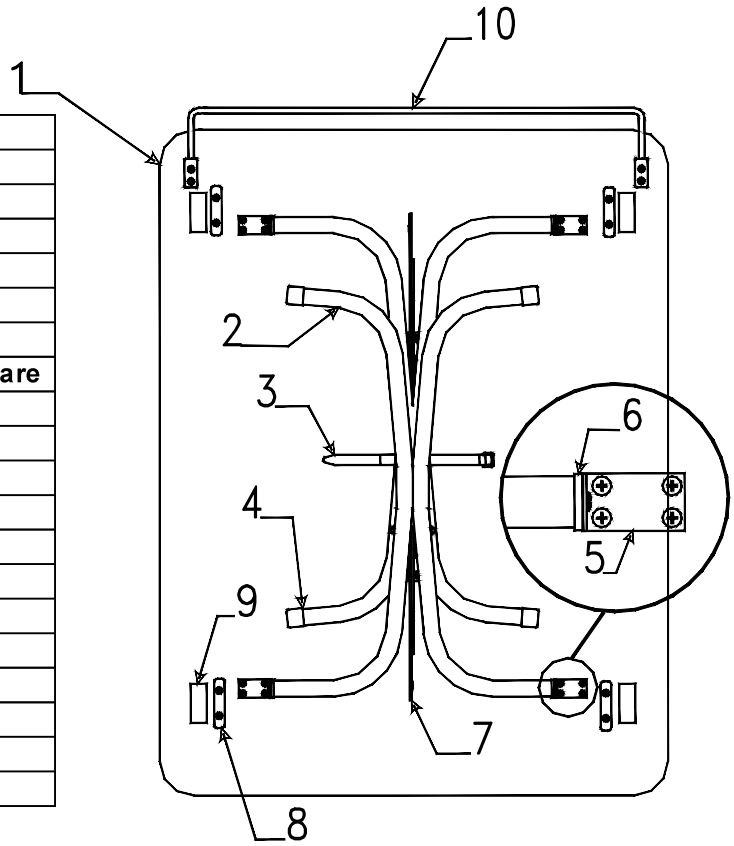


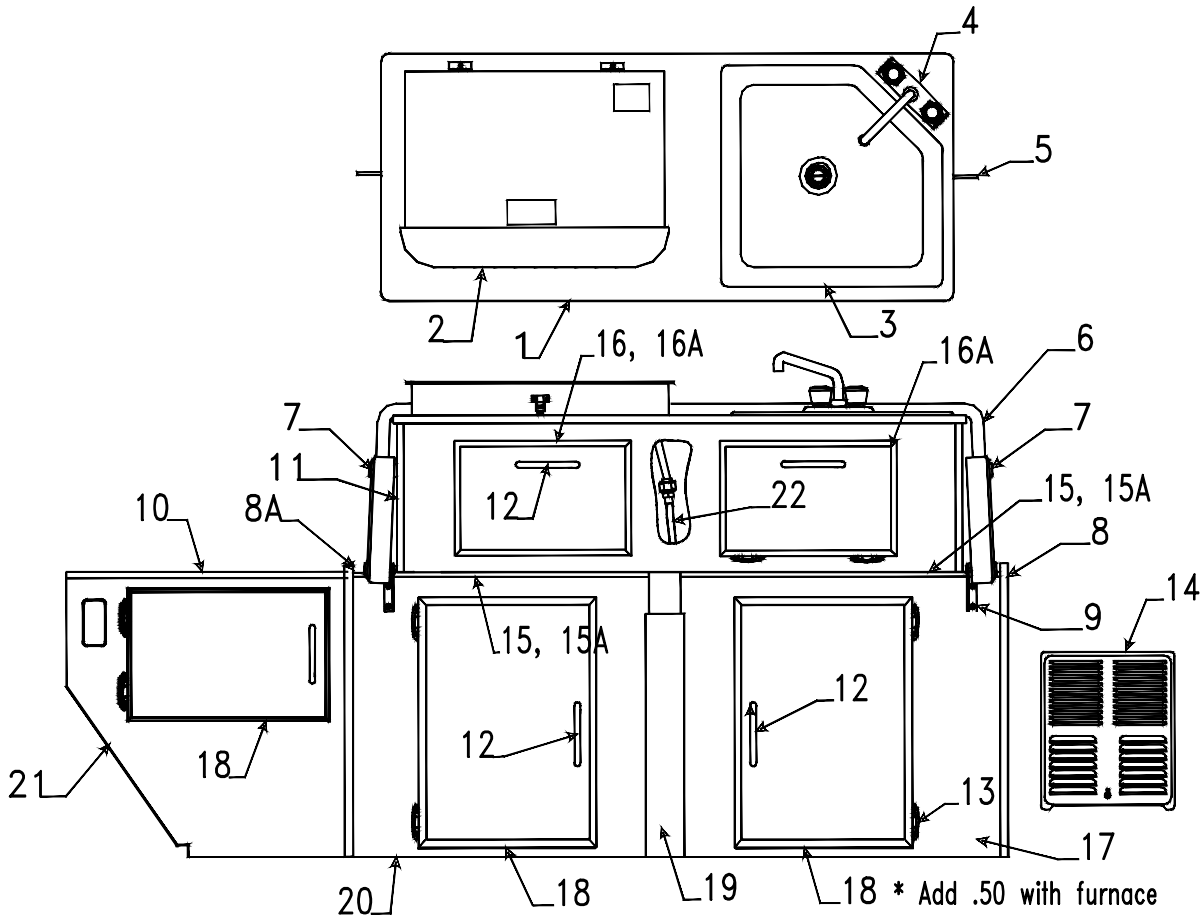
Sink & Component parts - E1, E2, E3, Cobalt			
Flat Rate	Code	Part #	Description
0.80	1	4768-1831	sink "black acrylic" E1, E2, E3
0.30		4710F0301	sink "stainless steel" - Cobalt
0.05	2	4714C0661	crumb cup "only" (wht. threaded)
0.25		4730E3151	crumb cup & basket
0.40	3	4758-9611.	elbow- E1, E2, E3
0.40	3	4713-0061	straight adapter pkg. - Cobalt
0.40		4757A9131	black rubber washer
	4	4715-4501	1 1/4" hose clamp
0.80	5	4060012503P	1 1/4" drain hose pkg. (10' pc.)
			Note: must cut hose to length
0.75	6	4767C5811	drain trap assy. - E1, E2, E3
0.75		4769A6941	drain trap assy. - Cobalt
	7	4757-9251	1 1/2" metal nut
0.10	8	4714A2861	cap & strap
	9	4737-9138	drain adapter
0.40	10	4757A0871	adaptor 1 1/4" barb



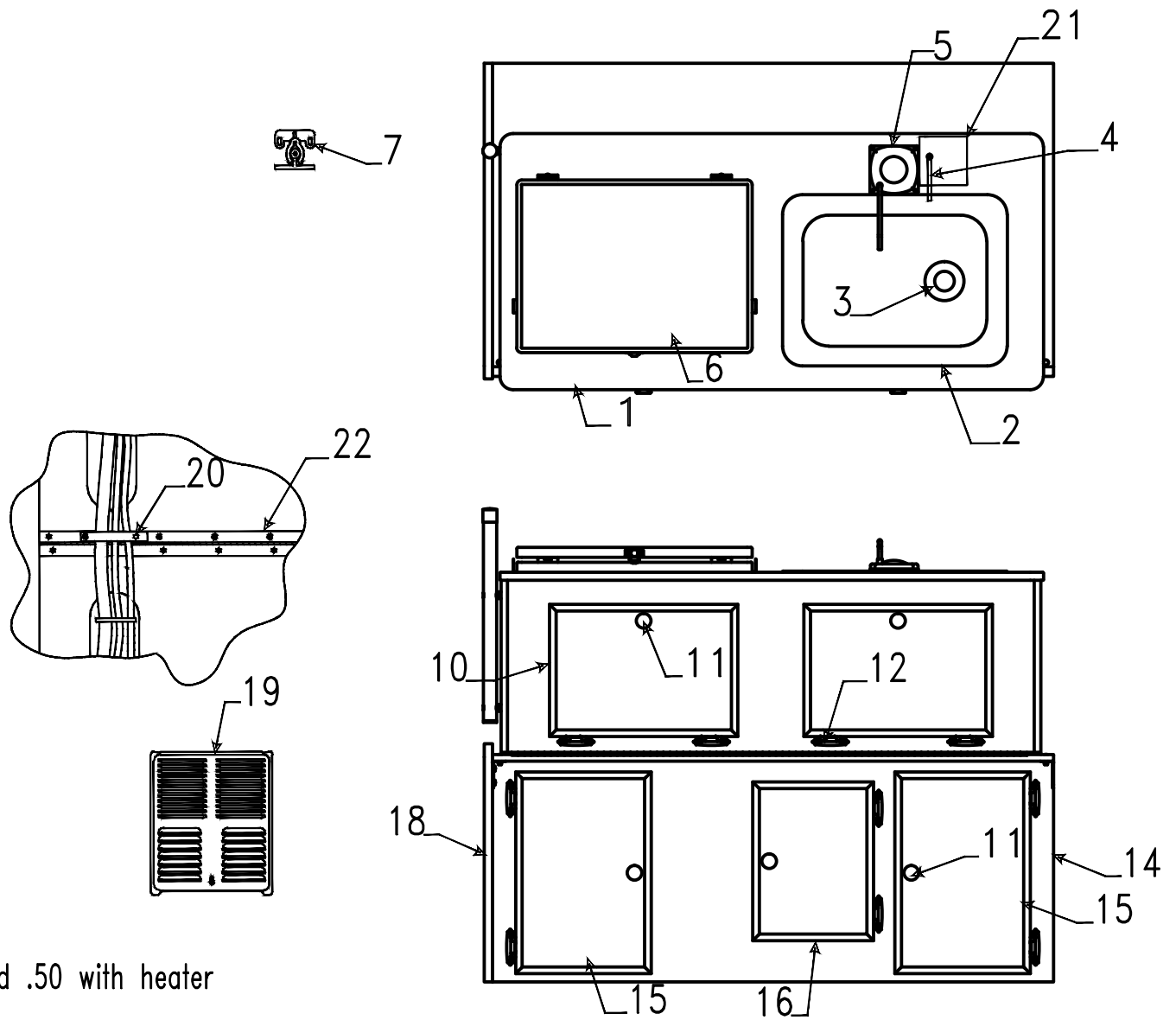
Flat Stove Component Parts (Upper Galley Assy.'s)			
Rate	Code	Part #	Description
0.15	1	4701A1191	stove cover assy. "black"
	2	ITEM NOT SOLD SEPARATELY	
0.05	3	4732A2281	edge molding m2
0.15	4	4773-4681	stove fin stay brkt. m2
0.15	5	4701A1201	2 burner cook top "black"
0.05	6	4716B1861	knob m3
0.05	7	4716A2631	stove top screw/washer m2
0.05	8	4752B9881	stove grate x2
0.15	9	4733-4018	stove cover latch
0.15		4733-4028	stove cover strike
0.75	10	4748F2581	2 burner stove box

Dinette Table Assembly Components - E1, E2, E3, Cobalt			
FR	Code	Part #	Description
0.50	1	4701B2021	table top (30' x 39") - E1, E2, E3
0.50		4702-0731	table top (30" x 38.5) - Cobalt
0.30		4060475002GP	t-molding pkg. - Cobalt
0.50	2	4701B1491	table leg package "black"
Note: pkg. includes 2 legs & required mounting hardware			
0.10	3	4751A9711	strap & screw pkg.
	4	4752-0551	white plastic cap m2
0.15	5	4713A0321	table leg mounting brace m2
		1103E1018	5/8" wood screw
0.10	6	4752A0561	table leg insert cap m2
		4747-2558	expansion rivet m25
0.25	7	4744-6971	lock brace assy. x2
		1103E1018	5/8" wood screw
0.15	8	4756-8741	table top plastic spacer m4
		1103B08148	7/8" screw (x2 per spacer)
0.05	9	4724H2631	velcro fastener m4
0.15	10	4701A93661	towel bar - Cobalt





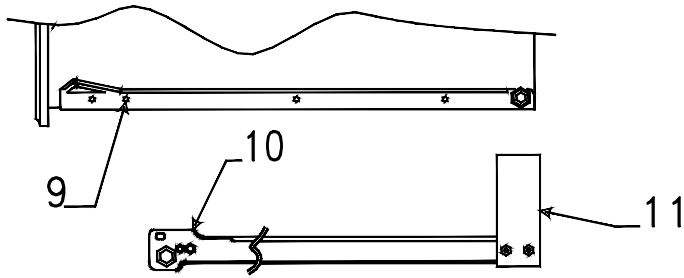
Upper/Lower Galley E1, E2, E3							
Flat Rate	Code	Part #	Description	Flat Rate	Code	Part #	Description
2.00	1	4701F4681	galley top	0.10	12	4748C3951	door pull "pewter"
	2	Note: refer to page 21 for stove components		0.10	13	4762-4878	hinge
0.80	3	4768-1831	sink "black acrylic"	0.10	14	4743A3551	furnace grill "black"
			Note: refer to page 22 for sink components	0.75	15	4701D1421	lower galley top RT E1
1.00	4	4745E2741	mixer faucet	0.75		4702B0851	lower galley top LT E1
0.75	5	4752A9271	galley pivot brkt. (lt. & rt.) E2	0.75		4702B1451	lower galley top LT E3
		4756A6631	galley pivot brkt. (lt. & rt.) E1&E3	0.75		4702C1491	lower galley top RT E3
		4744C4601	rivet m25	0.75		4702C1491	lower galley top RT E3
1.00	6	4702-3791	galley lift bar - E1, E3	0.75		4701D4761	lower galley top RT E2
1.00		4702-0891	galley lift bar - E2	0.75		4701D4751	lower galley top LT E2
		4757A6341	chain assy. x2 per bar E2	0.20		4746C0971	kill switch m4
		4744-6321	chain assy. x2 per bar E1&E3	0.20		4733C4981	rocker switch (elec. pump)
0.15	7	4702-3771	plastic chain cover lt. - E1, E3		15A	4064795603P	3/8" u-channel "blk" 60" pc.
0.15		4702-3781	plastic chain cover rt. - E1, E3			4060175004P	pvc angle
0.15		4702-0901	plastic chain cover lt. - E2	0.15	16	4702A58061	drawer assy. E1 & E3
0.15		4702-0911	plastic chain cover rt. - E2			4702B57161	drawer assy. E2
0.75	8	4701A4811	galley gazoodi rt. - E2	0.15	16A	4758C3131	dr/drawer pnl. 14 1/4" x 10"
0.30		4060400094P	lipped t-molding 12' pc. pkg.	*1.00	17	4701C1431	lower galley front rt. - E1
0.75	8A	4701A4831	galley gazoodi lt. - E2	*1.00		4701D4821	lower galley front rt. - E2
0.75		4701A1441	seat gazoodi - E1	1.00		4702C1481	lower galley front rt. - E3
0.75		4756F0011	galley gazoodi - E3	0.15	18	4758C3061	door pnl. 12" x 18 1/2"
		4755B8201	nylon block x2 - E3	0.15		4758C3131	door pnl. 10" x 14 1/2"
0.35		4755-4111	glide-out seal track - E3	0.15		4733-6391	latch & strike pkg.
		4064700589P	glide-out sweep seal - E3	0.25	19	4750K6731	filler assembly
0.60	9	4702-5261	lower galley brkt. "left"	1.00	20	4702B0861	lower galley fit lt. - E1,
0.60		4702-5271	lower galley brkt. "right"	1.00		4701D4821	lower galley front lt. - E2
1.00	10	4701B4851	cabinet top - E2	0.75	21	4701F4861	cabinet front - E2
0.10		4747-8941	black plastic cap m2	0.45	22	4753-5581	flexible gas hose 48"
0.65	11	4060137506P	3/8" f-channel 48" pc.				



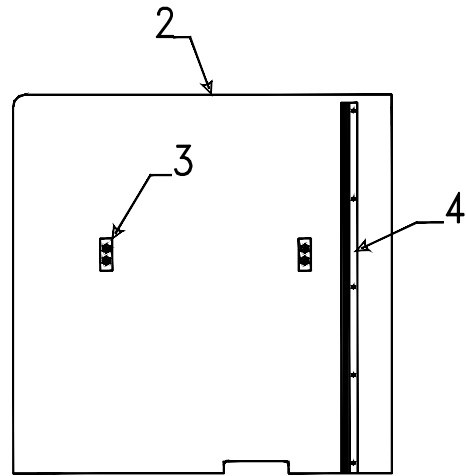
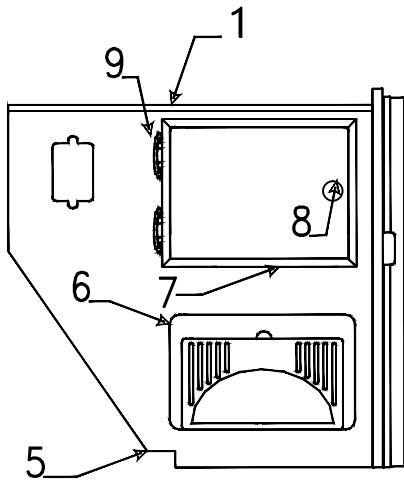
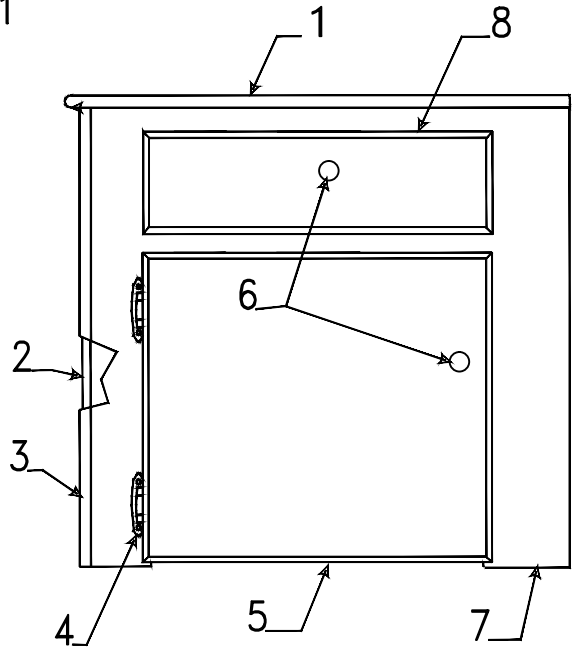
* Add .50 with heater

Galley Assy. Components - 4428 Cobalt

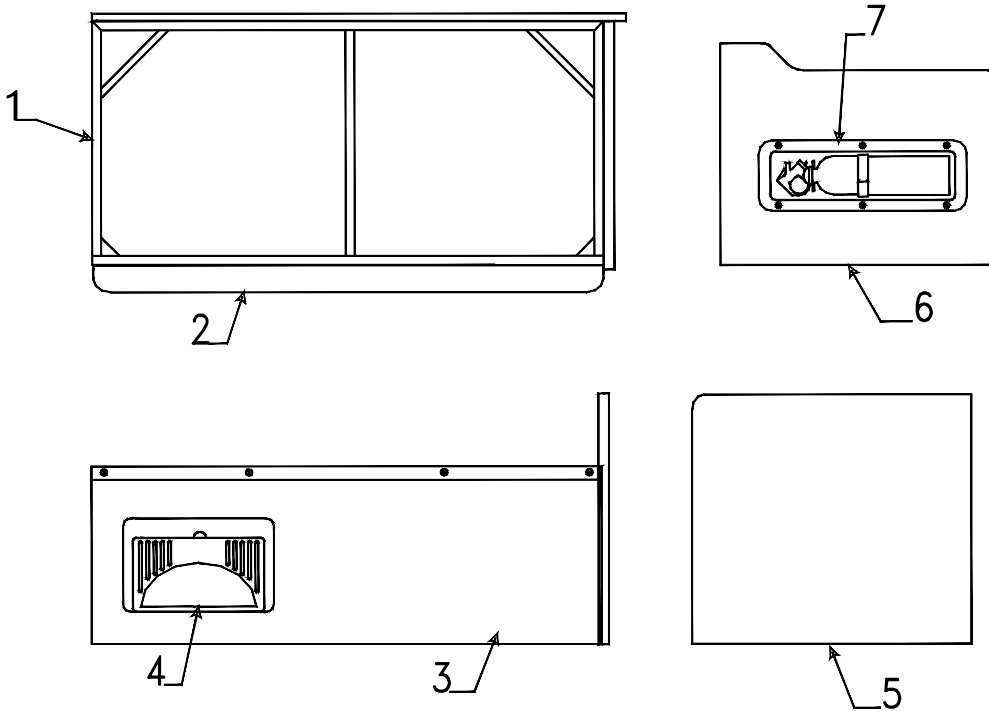
Flat Rate	Code	Part #	Description	Flat Rate	Code	Part #	Description
1	1	4702-9451	galley top	0.10	11	4748C3951	door pull
0.3	2	4710F0301	sink	0.10	12	4762-4878	hinge
0.05	3	4714C0661	crumb cup	1.25	13	*4702-9381	lower galley top
0.1	4	4746A5421	pump hold down pkg.	0.20		4746C0971	kill switch m4
0.4	5	4767-3301	hand pump	1.50	14	*4702-9401	galley front
		4716-081	screw x4	0.15	15	4702-9411	door panel 15 1/4" x 10 1/4"
		Note: refer to page 22 for pump components		0.15	16	4758C4041	door panel 9 1/8" x 12"
	6	Note: refer to page 21 for stove components		0.15	17		
0.15	7	4744A9261	knuckle latch m4	0.75	18	4702-9391	seat gazoodi
	8	6010515696P	upper galley back,side	0.10	19	4743A3551	furnace grill
0.1	9			0.10	20	4751A9711	hose strap pkg.
0.15	10	4758C3131	door panel 10" x 14 1/4"		21	4702-2501	hold down support
0.15		4733-6391	latch & strike pkg.	0.50	22	4747A9671	galley hinge



CSF Corner Cabinet Assy. - 4447 E1			
Flat Rate	Code	Part #	Description
0.25	1	4701F1211	cabinet top
0.30	2	4701D1221	cabinet side
0.65	3	4060137506P	3/8" f-channel 48" pc.
0.10	4	4762-4878	hinge
		4749C4591	screw #6 x 3/8" m12
0.15	5	4758C4261	door pnl. 15 1/8" x 15 1/8"
0.15		4733-6391	latch & strike pkg.
0.10	6	4748C3951	door pull
0.50	7	4701C1231	cabinet front
0.10	8	4767F54561	drawer assy.
0.50	9	4758A1031	drawer slide RHD 12"
0.50		4758A1021	drawer slide LHD 12"
0.50	10	4755A8821	14" drawer guide lt.
0.25	11	4758A2921	mounting bracket



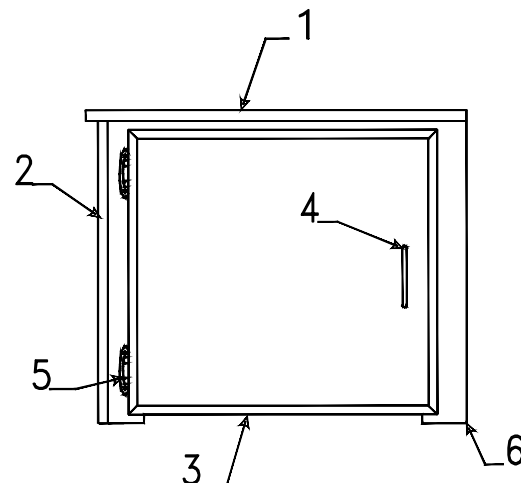
Roadside Rear Corner Cabinet Assy. - 4437 E3							
Flat Rate	Code	Part #	Description	Flat Rate	Code	Part #	Description
2.00	1	4702B1121	cabinet top	0.50	5	4702D1101	cabinet front
0.75	2	4756F0011	cabinet gazoodi	1.00	6	4753E8201	converter
0.30		4060400094P	lipped t-molding 12' pc. pkg.	0.15	7	4758C3131	door panel 10" x 14 1/4"
0.50	3	4755B8201	nylon block x2	0.15		4733-6391	latch & strike pkg.
0.35	4	4755-4111	glide-out seal track	0.10	8	4748C3951	door pull
0.25		4064700589P	glide-out sweep seal	0.10	9	4762-4878	hinge
						4749C4591	screw #6 x 3/8" m12



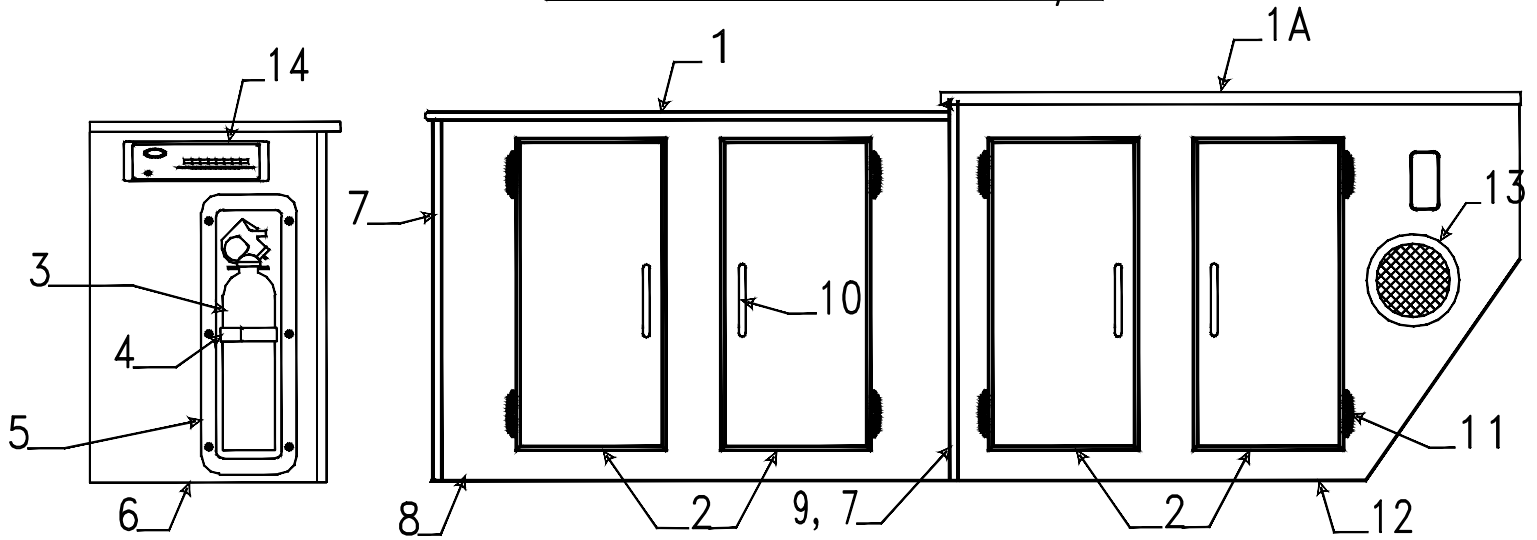
* Warranted Through Vendor

Seat Bench Component Parts - 4428 Cobalt				
Flat Rate	Code	Part #	Description	
1.00	1	4701-5141	ft./rr bench frame	
0.20	2	4701C4921	table support angle cs/rs	
0.30	3	6010515696P	universal paneling 48" x 48"	
1.00	4	4753E8201	converter 25 amp WFCO	
0.15		4716D1301	converter cover w/door (plastic)	
0.75	5	4702-9391	rs seat end	
0.30		4060400094P	t-molding (8' pc. pkg.)	
0.75	6	4702-9321	cs seat end	
0.30		4060400094P	t-molding (8' pc. pkg.)	
0.15	7	4701-1321	recessed mount	
		4701-1331	screw m12	
0.05		4716-1191	fire extinguisher strap m2	
0.10		4737A5558	fire extinguisher	

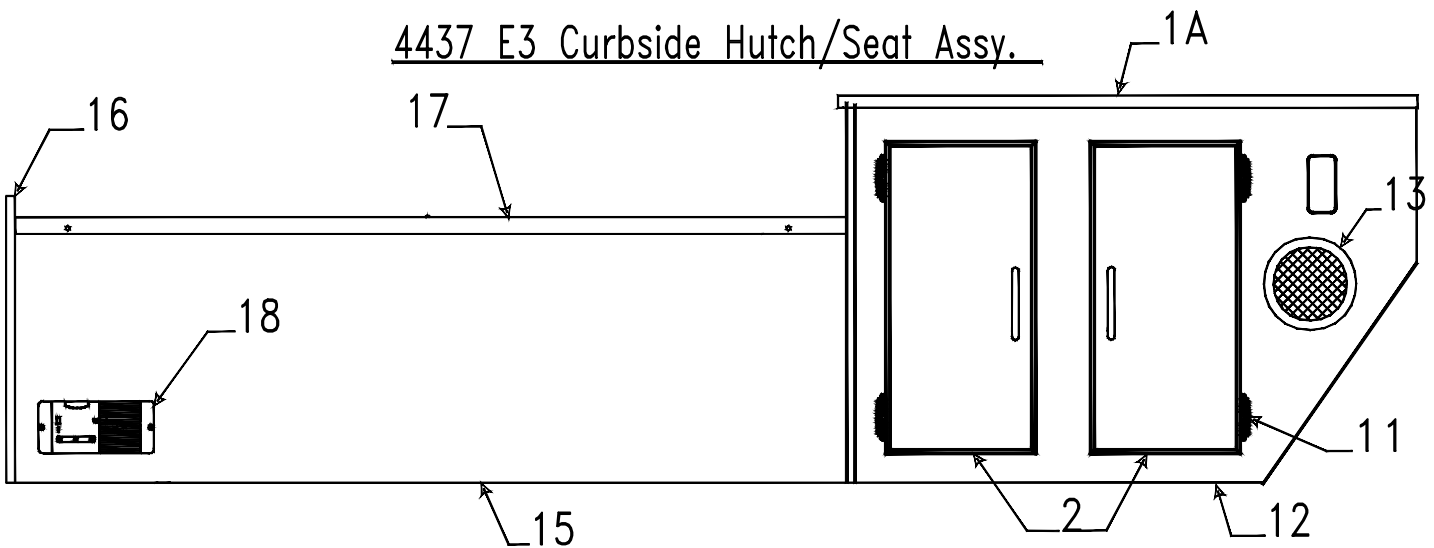
CS Corner Cabinet Assy. - 4428 Cobalt				
Flat Rate	Code	Part #	Description	
0.25	1	4701-9441	cabinet top	
0.30	2	4702-9351	cabinet side	
0.35		4060137506P	3/8" f-channel 48" pc.	
0.15	3	4758C4261	door panel 15 1/8" x 15 1/8"	
0.15		4733-6391	latch & strike pkg.	
0.10	4	4748C3951	door pull	
0.10	5	4762-4878	hinge	
		4749C4591	screw #6 x 3/8" m12	
0.50	6	4702-9341	cabinet front	



4447 E1 Curbside Hutch Assy.

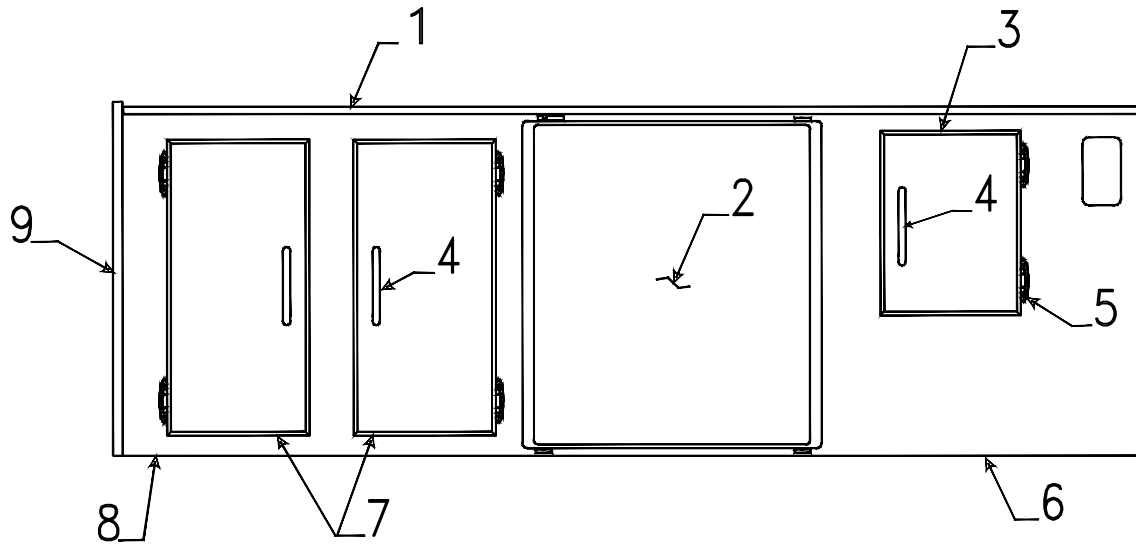


4437 E3 Curbside Hutch/Seat Assy.

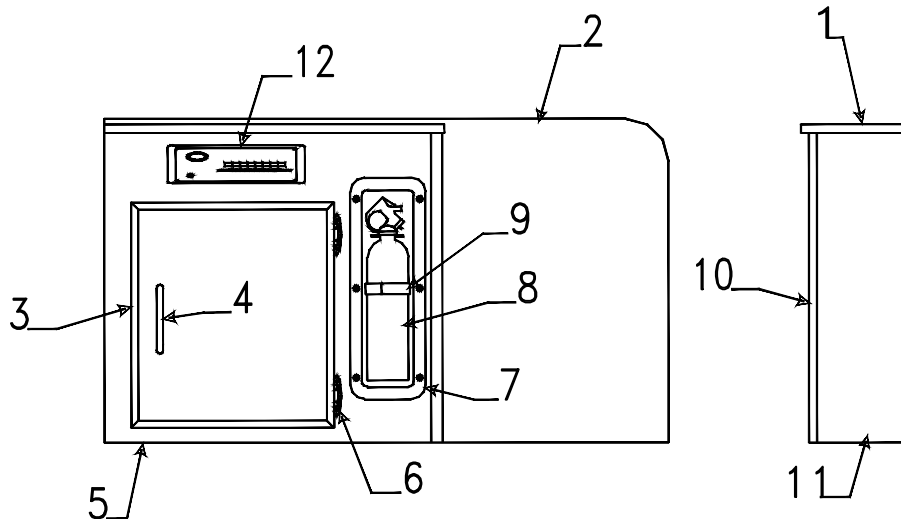


Curbside Hutch/Seat Assy. - 4447 E1, 4437 E3

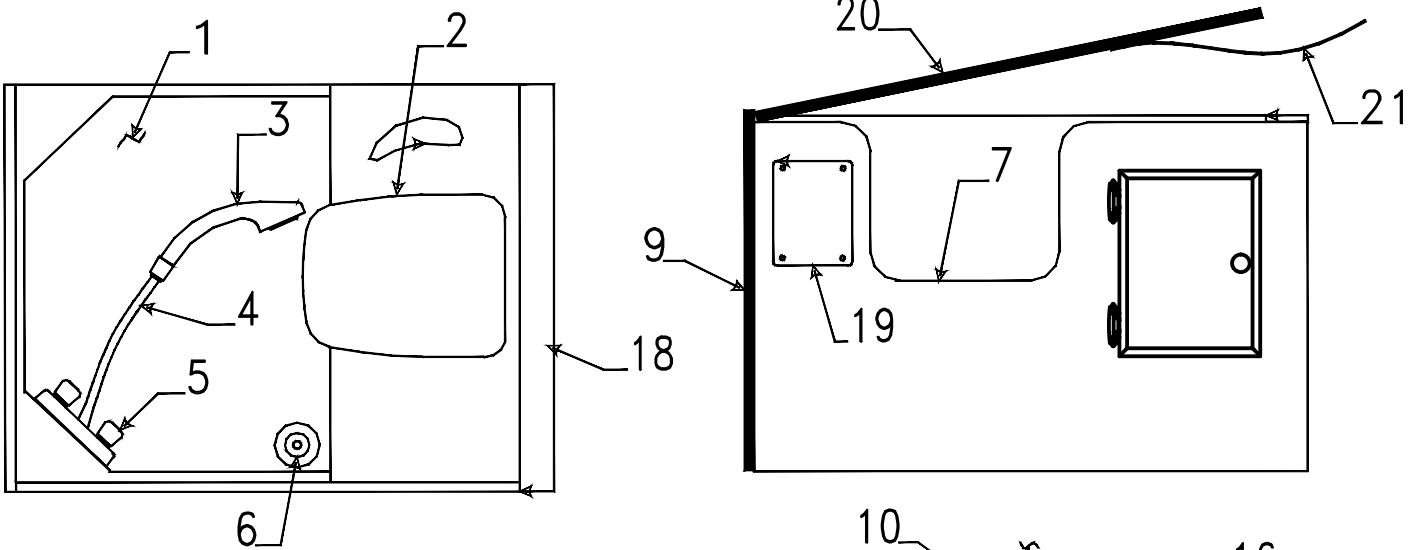
Flat Rate	Code	Part #	Description	Flat Rate	Code	Part #	Description
0.75	1	4702B1951	hutch top "small" - E1	0.10	11	4762-4878	hinge
0.75	1A	4702B1591	hutch top "large" - E1, E3			4749C4591	screw #6 x 3/8" m12
0.15	2	4758C3061	door pnl. 12" x18 1/2"	1.00	12	4701G1281	hutch front "rt."
0.10	3	4737A5558	fire extinguisher	0.15	13	4800A3911	speaker/grill "black"
0.05	4	4716-1191	fire extinguisher strap m2	0.50	14	4765D1121	am/fm cd radio
0.15	5	4701-1321	recessed mount	0.50		4765A1141	wire antenna w/plug
		4701-1331	screw m12	0.50	15	4702D1571	seat front - E3
0.55	6	4701D1301	hutch side	0.10	16	4702G1581	seat end - E3
0.65	7	4060137506P	3/8" f-channel 48" pc.	0.30		4060400094P	t-molding 12' pc. pkg.
0.50	8	4701C1311	hutch front "lt."	0.25	17	4702-5471	seat frame - E3
0.50	9	4701C1271	hutch mid panel	0.25	18	4753B9171	lp gas detector
0.10	10	4748C3951	door pull				



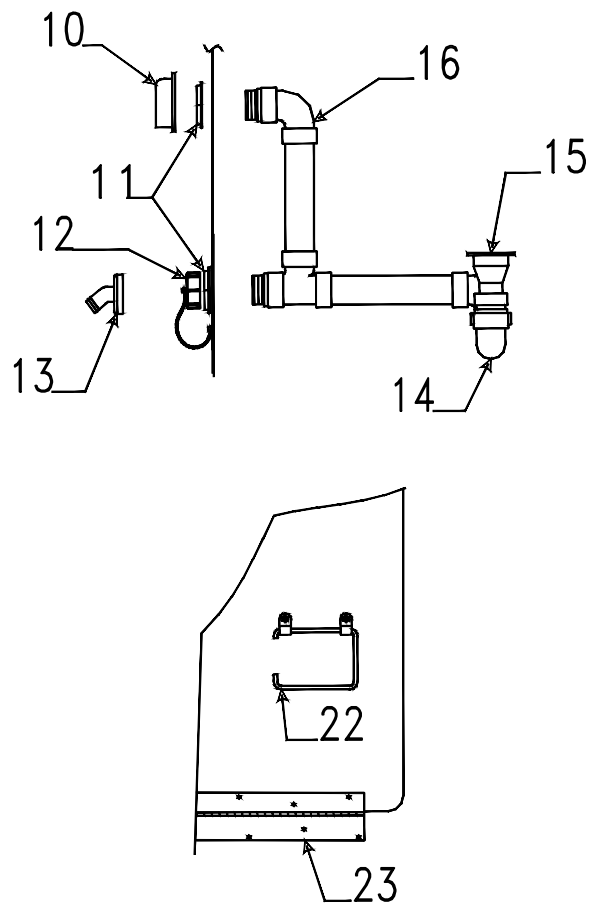
Roadside Hutch Assy. - 4444 E2							
Flat Rate	Code	Part #	Description	Rate	Code	Part #	Description
0.75	1	4701C4721	hutch top	0.1	5	4762-4878	hinge
0.25	2	6010515696P	reefer door insert	1	6	4701C4741	hutch front "rt."
0.15	3	4758C4041	door pnl. 9 1/8" x 12"	0.15	7	4767B4771	door pnl. 8 3/4" x 16 3/4"
0.10	4	4748C3951	door pull	0.55	8	4701C4731	hutch front lt.
				0.75	9	4701A4831	galley gazoodi rt.
				0.3		4060400094P	t-molding (8' pkg.)

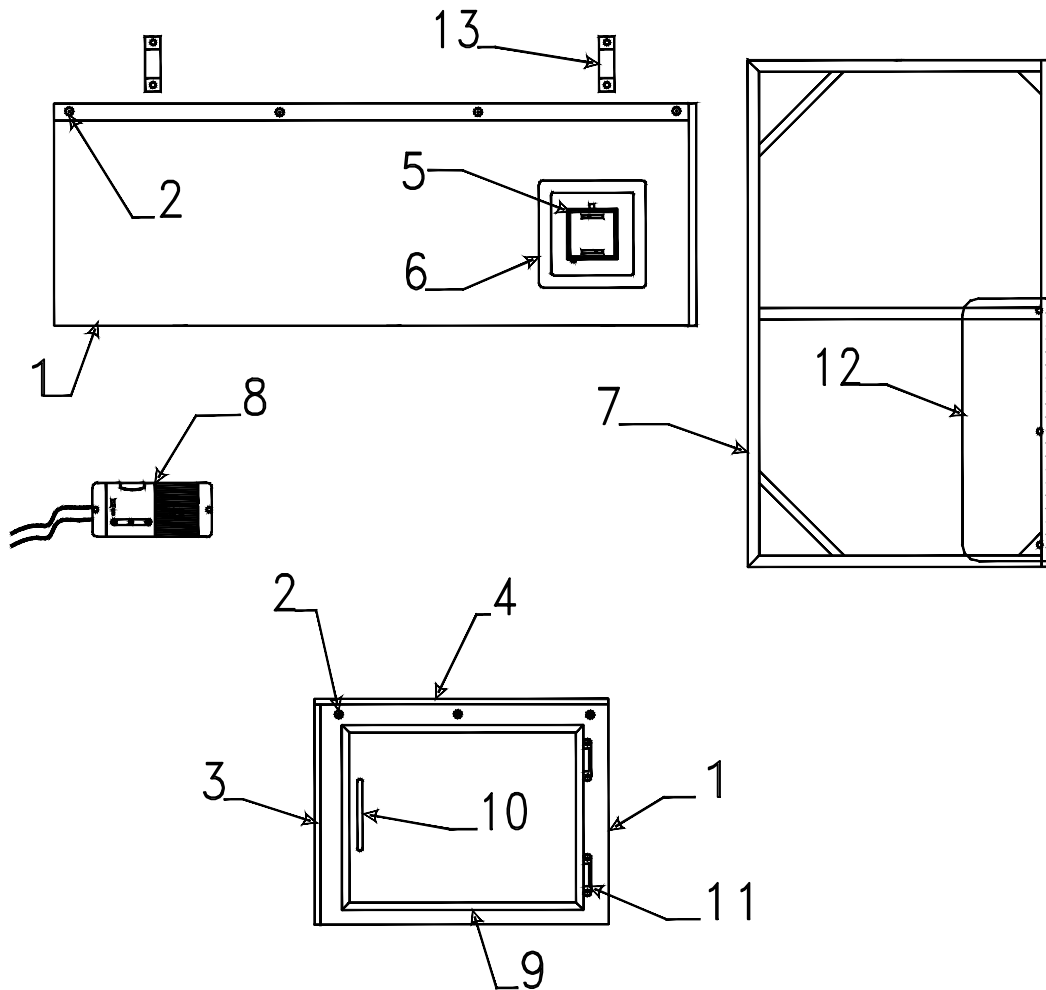


CSR Seat Cabinet Assy. - 4444 E2							
Flat Rate	Code	Part #	Description	Flat Rate	Code	Part #	Description
0.25	1	4701C9581	cabinet top	0.10	6	4762-48781	hinge
0.75	2	4701B9611	seat gazoodi	0.15	7	4701-1321	recessed mount
0.30		4060400094P	t-molding (8' pkg.)			4749C4591	screw #6 x 3/8" m12
0.15	3	4767B4771	door pnl. 8 3/4" x 16"	0.10	8	4737A5558	fire extinguisher
0.15		4733-6391	latch & strike pkg.	0.05	9	4716-1191	fire extinguisher strap m2
0.10	4	4748C3951	door pull	0.65	10	4060137506P	3/8" f-channel 48" pc.
0.50	5	4701D9591	cabinet side	0.50	11	4701C9601	cabinet front
				0.50	12	4765D1121	am/fm cd radio
				0.50		4765A1141	wire antenna w/plug



Shower Stall Components - 4444 E2, 4437 E3			
Flat Rate	Code	Part #	Description
1.50	1	4759B1001	shower pan - E2, E3
0.75	2	4746D2461	cassette potty - E2
0.75		4756A2251	cassette potty - E3
0.15	3	4767-0101	shower head w/bracket
0.20	4	4741B2051	shower hose (72" length)
0.50	5	4741B2071	shower diverter
0.50	6	4746A1821	basket & strainer
1.50	7	4800C4031	shower threshold - E2
1.50		4702C1641	shower threshold - E3
0.30		4060300083P	t-molding (threshold) (12' pc.)
0.15	8	4759F5151	potty door - E2
0.75	9	4702-9501	shower wall - E2
0.75		4800C4021	shower wall - E3
0.30		4060400094P	1/2" t-molding pkg. (12' pc.)
0.15	10	4702-0261	vent cover "black"
0.50	11	4757-9251	metal nut 1 1/2"
0.50		4701-1871	plastic nut 1 1/2" pvc
0.10	12	4701-1881	cap & strap
	13	4737-9138	drain adapter
0.40	14	4752-3621	p-trap w/union joint
0.50	15	4757-8561	drain plug adapter
1.00	16	4741C9301	vent system
	17	4741D6361	tub package. (Not Shown)
	18	4800B4041	shower back angle
0.10	19	4757D2171	access cover
0.40	20	4701B7421	shower cover board - E2
0.40		4702C5651	shower cover board - E3
0.05	21	4754-7401	hold-up strap - E2
0.05		4769-6721	hold-up strap - E3
0.15	22	4756-9121	TP holder
		4747-2531	nylon clamp m2
0.25	23	4756-4441	shower board hinge

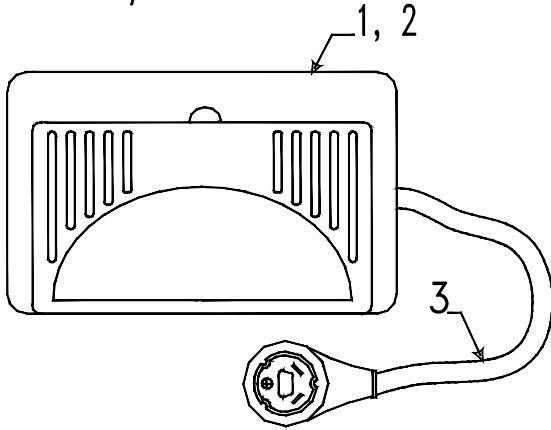




* Warranted Through Vendor

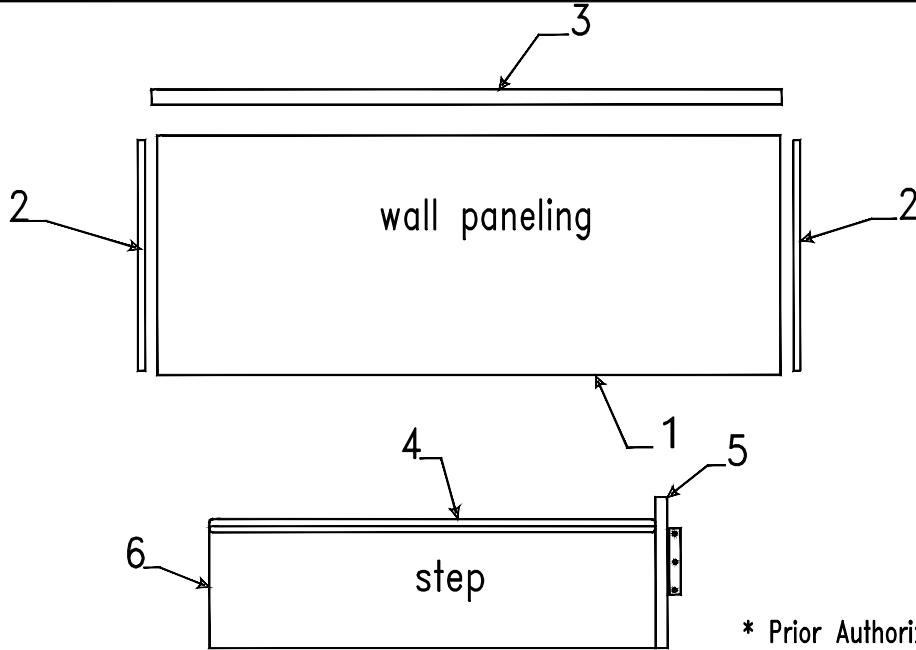
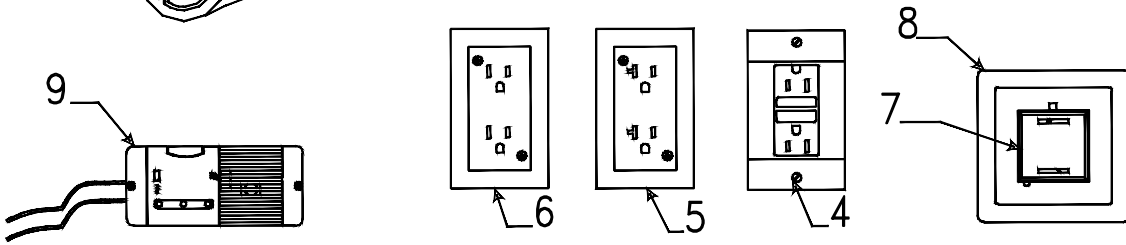
Seat Bench Component Parts - E1, E2, E3			
Flat Rate	Code	Part #	Description
0.3	1	6010515696P	universal wall panel 48" x 48"
	2	4734J1861	rivet m25
		1202B0268	washer
0.65	3	4060115607P	5/32" f-channel 48" pc. m2
0.5	4	4060015606P	5/32" u-channel 48" pc. M2
0.5	5	4752A8461	*thermostat
0.2	6	4701-2341	plastic base & bracket
1	7	4701-5141	bench frame x2 - 4447 E1
1		4701-7051	bench frame x2 - 4444 E2
1		4773A7031	glide-out bench frames x2 - 4437 E3
0.25	8	4753B9171	lp gas detector "black"
0.15	9	4758C3131	door panel 10" x 14 1/4" - 4437 E3
0.1	10	4748C3951	door pull
0.1	11	4762-4878	hinge
0.4	12	4756D6131	metal flip-up backrest x2
0.15	13	4767-8451	hat bracket x2

WORLD FRIENDSHIP CO., LTD
 Warranty: 800-900-2468



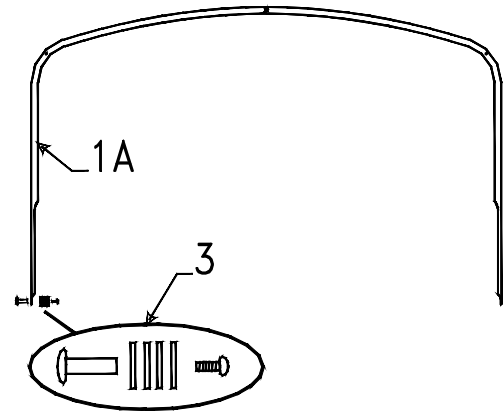
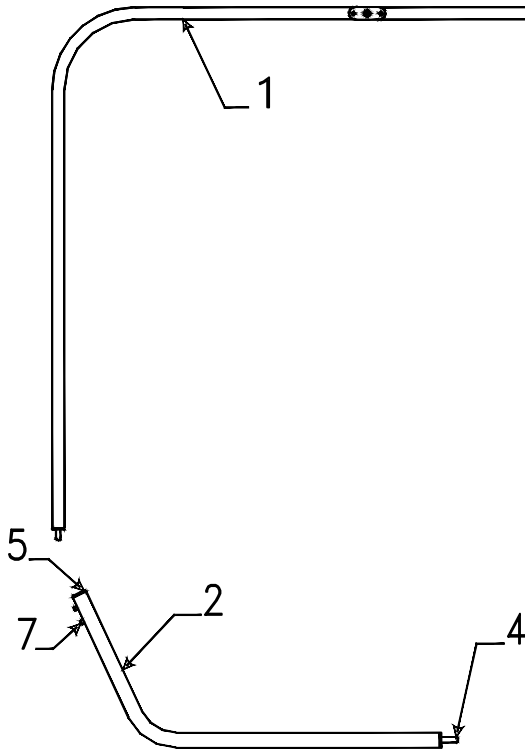
Converter & Related Parts			
Flat Rate	Code	Part #	Description
1.00	1	4753E8201	converter 25 amp
0.15	2	4716D1301	door & frame (plastic)
0.60	3	4744-3101	power cord 32 ft.
0.35	4	4701-1061	GFI receptacle "black"
0.20	5	4701-1071	20 amp receptacle "black"
0.20	6	4701-1081	15 amp receptacle "black"
0.40		4746A3851	receptacle box
0.50	7	4752A8461	*thermostat
0.20	8	4701-2341	plastic base & bracket
0.25	9	4753B9171	lp gas detector "black"

* Warranted By Vendor

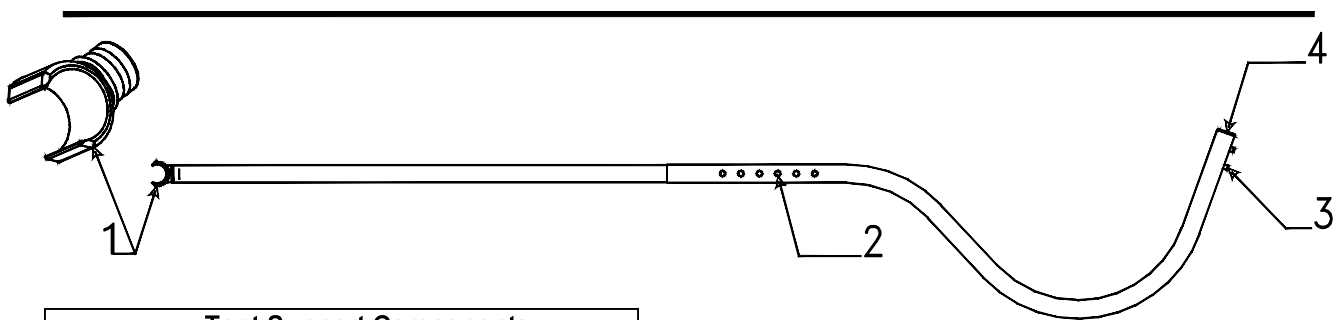


* Prior Authorization Needed

Paneling & Trim (Must Cut To Size)			
Flat Rate	Code	Part #	Description
*	1	6010515696P	wall panel 48" x 48"
*	2	4060400383P	corner divider m2 48" pc.
	3	4064700067P	luan batten strip "black" 96" pc.
	4	4702A4451	carpet "black" 28" x 11 3/4"
	5	4702A4191	step gazoodi - 4237 E3
0.3		4060475002GP	t-molding (14' pc. pkg.)
	6	4702B4211	step front panel
	7	4060000084P	3/16" sponge gimp "black" (20' pc. pkg.)

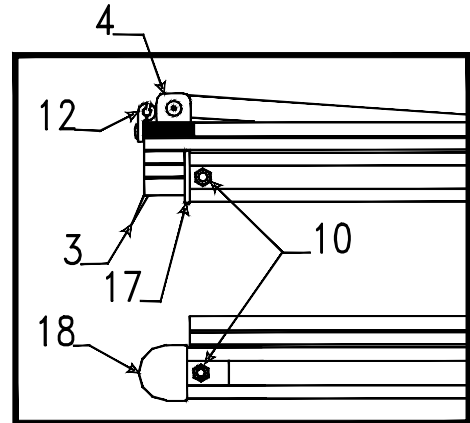
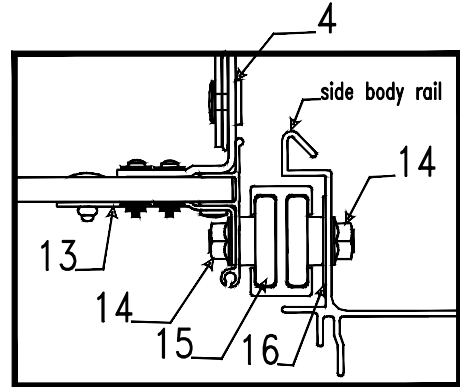
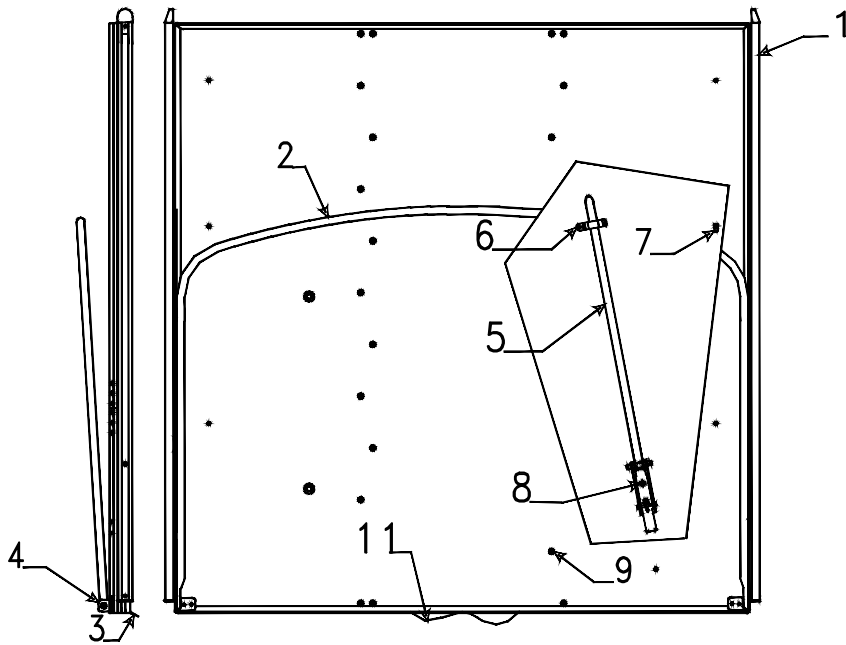


Tip-Out/Glide-Out Tent Bow - 4444 E2, 4437 E3			
Flat Rate	Code	Part #	Description
0.1	1	4759A5761	tip-out tent bow assy. - 4444 E2
0.1	1A	4756C2071	glide-out tent bow - 4437 E3
0.05	2	4759B5751	tip-out tent support - 4444 E2
0.05		4773B5131	glide-out tent support - 4437 E3
0.1	3	4716-4451	glide-out bow mounting pkg.
0.2	4	8470-1728	black pin m10
0.1	5	4752A0561	tube closure "black" m2
0.1	6		
0.1	7	4734A6708	spring assy.



Tent Support Components			
Flat Rate	Code	Part #	Description
0.2	1	4757-4301	tent support clasp m10
0.1	2	4734-6708	spring assy.
0.1	3	4734A6708	spring assy.
0.1	4	4752A0561	tube closure "black" m2

Tent Support Assemblies (Complete)		
Flat Rate .10 per Tent Support		
Model	Front Bed	Rear Bed
4447 E1	4759A6891	4769B5641
4444 E2	4769B5641	4759A6891
4437 E3	4772B6021	4772B6021
4428 Cobalt	4701B6601	4701-6591

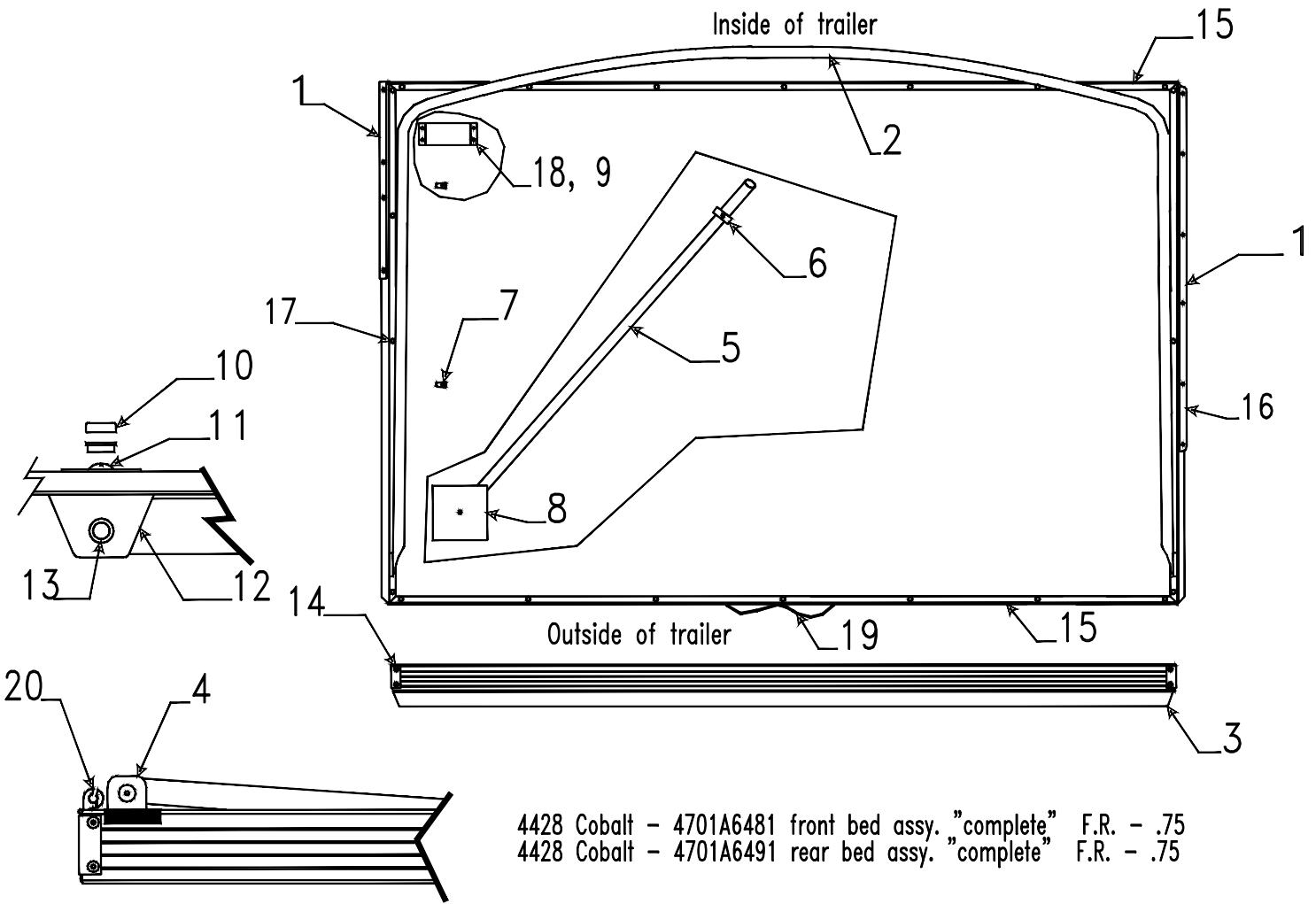


E1	4701A5391	Front Bed Assy. "Complete" F.R. - .75
E1, E2	4701A5711	Rear Bed Assy. "Complete" F.R. - .75
E2	4701A7281	Front Bed Assy. "Complete" F.R. - .75
E3	4702-5411	Front Bed Assy. "Complete" F.R. - .75
E3	4702-5421	Rear Bed Assy. "Complete" F.R. - .75

Front/Rear Bed Assy. Components

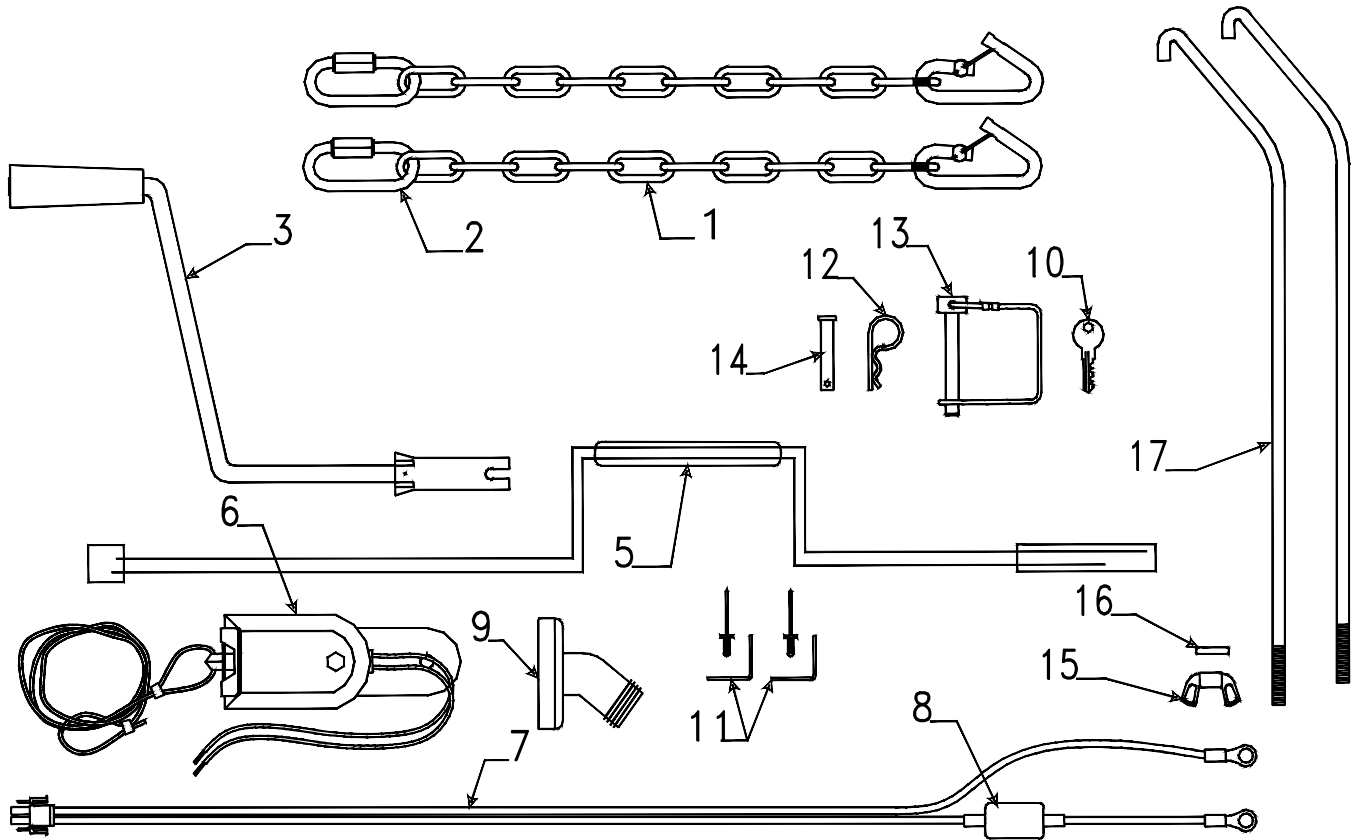
Flat Rate	Code	Part #	Description
**	1	4716U4031	bed extension (x2 per bed)
Note: must cut bed extension to size where applicable			
0.25	2	4714C1901	tent bow/leg package
0.25	3	4060400339P	vinyl bed seal "gray" (8' pc. Pkg.)
0.15	4	4720K5631	bed bow bracket M2
0.05		4757-9241	1 1/2" nylon fender washer m4
0.3	5	4759B5901	bed leg assy. m2 (x2 front bed) E1, E2, E3
0.3		4702-5581	bed leg assy. m2 (x2 rear bed) E1, E2
0.3		4759B5871	bed leg assy. m2 (x2 rear bed) E3
0.15	6	4757-4331	bed leg clip
		1203-8831	rivet m25 (rivet clip to bed)
0.15	7	4720E4021	lashing hook m6
		1203-8741	rivet m25 (rivet hook to bed)
0.2	8	4757-4471	slotted support channel
		4714-4521	mounting screws (pkg. of 3 each)
Pkg. includes screws, washers, plastic caps and washers			
	9	1203C8721	rivet m25
0.2	10	1034B16128	flat head screw
		1201B6378	lock nut
0.2	11	4758-9481	pull-out handle strap & rivets
		4758-8001	rivet "black" m25
0.5	12	4758A8301	bed end retainer track & rivets
0.2	13	4755A2591	bed brkt. w/mounting hardware x4
	14	4739-2298	lock nut
0.5	15	4754A8101	bed roller, nut, bolt, & washer pkg.
	16	1202B2908	washer
0.15	17	4754-8631	bed slide end cap
0.15	18	4754-4821	bed slide wedge

** .50 first extension
 ** .25 second extension



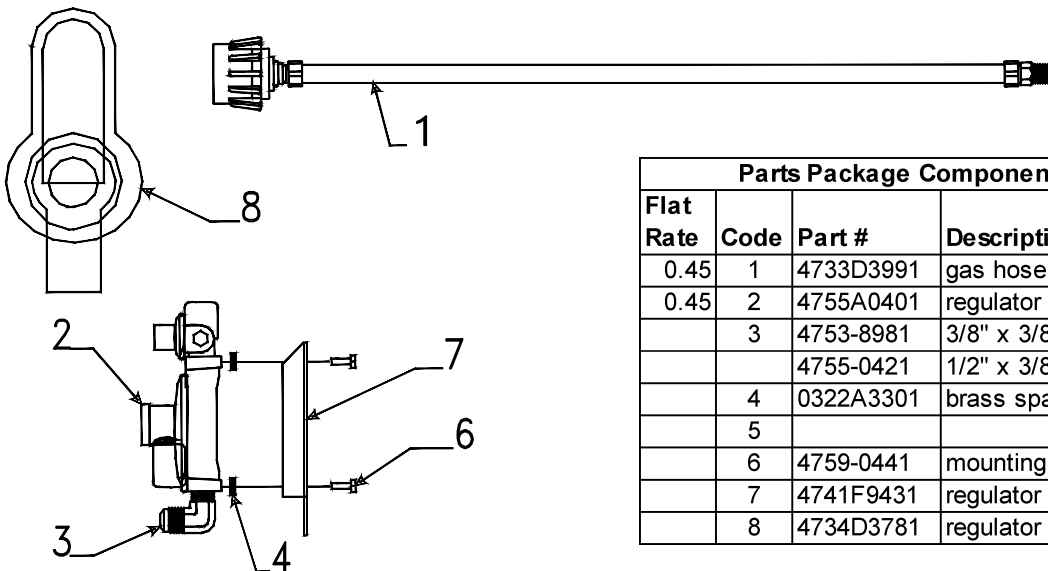
Frnt. & Rear Bed Assy. Components - 4428 Cobalt

Flat Rate	Code	Part #	Description	Flat Rate	Code	Part #	Description
0.40	1	4747C4051	plastic bed slide 18"		11	4716-074	screw
0.40		4747D3691	plastic bed slide 48"			1202B2528	washer
		4752-3061	rivet m25	0.20	12	4734A5141	bed leg bracket
0.25	2	4714A1901	tent bow/leg package		13	4720A2361	rod & pal nut
0.25	3	4060400339P	vinyl bed seal pkg. (8' pc.)	0.20	14	4747D3221	corner angle x4
0.15	4	4720K5631	bed bow bracket m2			1203-8641	rivet m25
0.20	5	4701-4881	frt./rear bed leg assy.	0.50	15	4747A3241	front bed frame
0.15	6	4720C0771	bed leg clip m4	0.60	16	4758A8441	rear bed frame
		1203-8831	rivet m25	0.60	17	4702-4031	side rail rsf & csr
0.15	7	4720E4021	lashing hook m6	0.60		4702-4011	side rail csr & rsf
		1203-8741	rivet m25	0.20	18	4749B4891	bed stop
0.20	8	4737A4178	support plate	0.20	19	4758-9481	pull-out strap & rivets
	9	1203C8721	rivet m25			4758-8001	rivet "black" m25
	10	4739B2908	screw cap m10	0.50	20	4758B8301	tent retainer track & rivets
		4739-2918	screw cap washer m10				Note: must cut to size

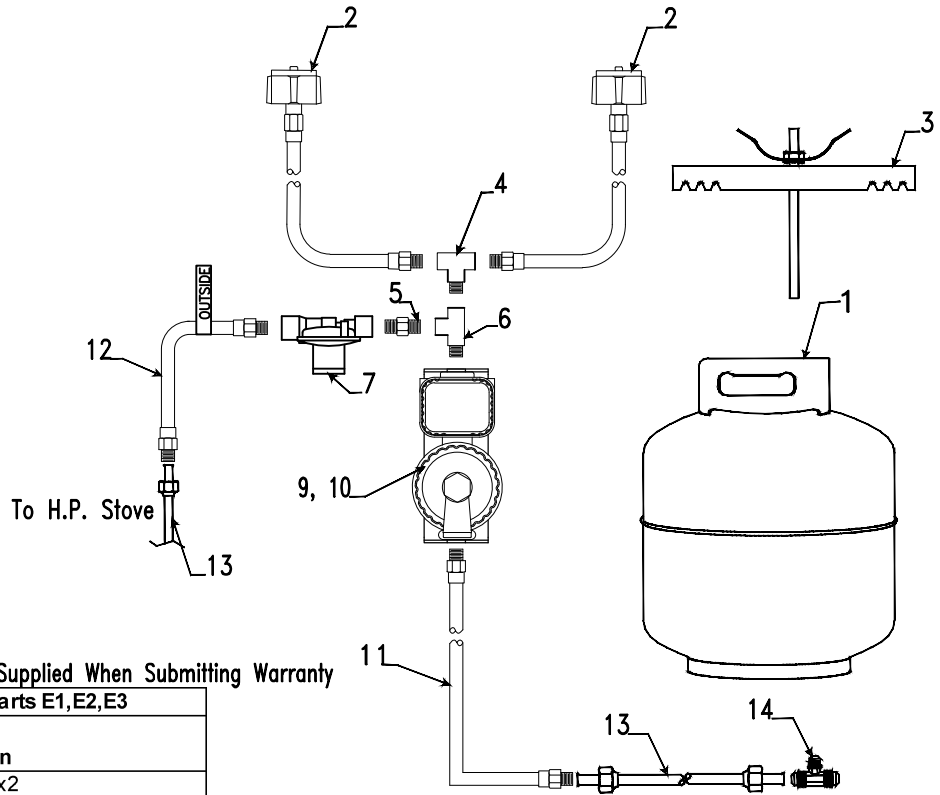


4701C5511 Parts Package - E1, E2, E3 / 4750L6111 Parts Package - Cobalt

Parts Package Component Parts					
Code	Part #	Description	Code	Part #	Description
1	4757A3901	safety chains w/quick links m2	9	4737-9138	drain adapter
2	4757-3891	quick link (sold/signally)	10	4730B3211	key m10 #8025 (gold plated)
3	4747G4141	crank handle	11	4753E6781	battery angle pkg.
4			12	4732A4791	safety pin m10
5	4761-2401	stabilizer crank -E1, E2, E3	13	4702-3821	wire lock pin
6	4746-0401	breakaway switch	14	4771-2631	hitch pin m5 - Cobalt
7	4749B5531	battery harness w/15 amp breaker	15	1201-6258	wing nut x2 - Cobalt
	4768-6291	battery harness w/40 amp breaker	16	1202B0468	washer x2 m10 - Cobalt
8	4751-4811	15 amp circuit breaker	17	4733G6281	g/b mounting brkt. pkg. - Cobalt



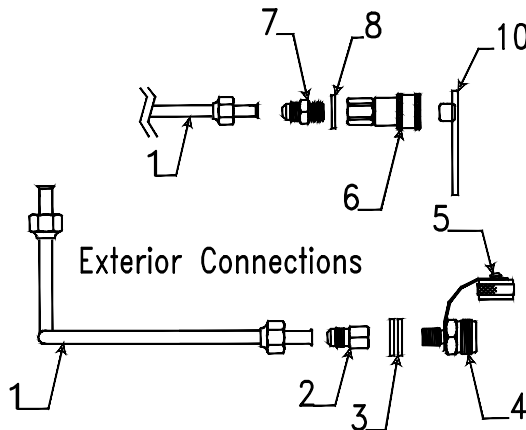
Parts Package Component Parts - 4428 Cobalt				
Flat Rate	Code	Part #	Description	
0.45	1	4733D3991	gas hose w/acme nut	
0.45	2	4755A0401	regulator "low pressure"	
	3	4753-8981	3/8" x 3/8" elbow (non hot water)	
		4755-0421	1/2" x 3/8" elbow (hot water)	
	4	0322A3301	brass spacer m2	
	5			
	6	4759-0441	mounting screw m2	
	7	4741F9431	regulator mounting brkt.	
	8	4734D3781	regulator cover	

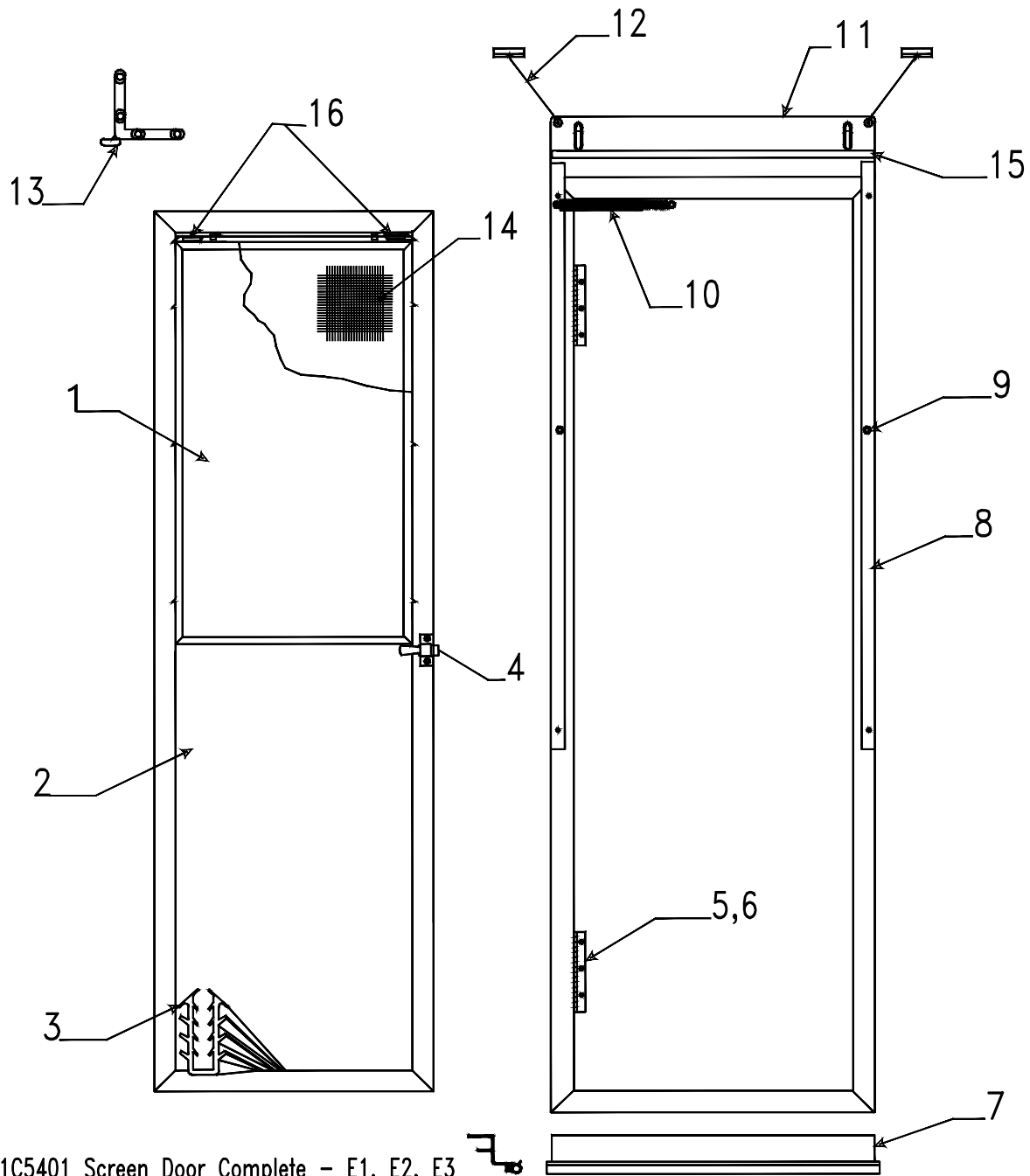


**** Serial Number Of Gas Bottle Must Be Supplied When Submitting Warranty**

Gas System & Related Parts E1,E2,E3			
Flat Rate	Code	Part #	Description
.15 **	1	4720J5928	gas bottle x2
0.05		4702-5061	vinyl bottle cover
0.45	2	4761-1921	gas hose w/acme nut
	3	4772B9521	gas bottle hold down brkt. assy.
0.50	4	4767-9631	1/4" female inverted tee
0.45	5	4755-0661	1/4" gas hose assy.
0.50	6	4739-6998	street tee
0.45	7	4742B8041	h.p. regulator
0.30	8		
0.45	9	4755A0401	regulator "low pressure"
0.05	10	4734D3781	regulator cover "plastic"
0.45	11	4737-8871	gas hose
0.45	12	4742-8081	h.p. gas hose
0.25	13	1/2" or 3/8" copper gas line purchase locally	
0.50	14	4769-1131	brass tee 1/2" x 1/2" x 3/8"
0.15		1215-1781	brass tee 1/2" x 3/8" x 3/8"

Outside H.P. Stove/ L.P. Stove Components			
Flat Rate	Code	Part #	Description
0.50	1	3/8" copper gas line purchase locally	
0.15		1215-2418	3/8" flare nut
0.40	2	4742-8061	female coupling - E1, E2, E3
	3	1202B1068	washer x2 - E1, E2, E3
0.40	4	4739-6978	cylinder adapter - E1, E2, E3
0.40	5	4742-8071	brass cap & strap - E1, E2, E3
0.40	6	4742B8331	quick disconnect - Cobalt
0.40	7	4748-2671	half union - Cobalt
	8	1202B1068	washer - Cobalt
	9		
	10	4769-0741	dust plug "black"

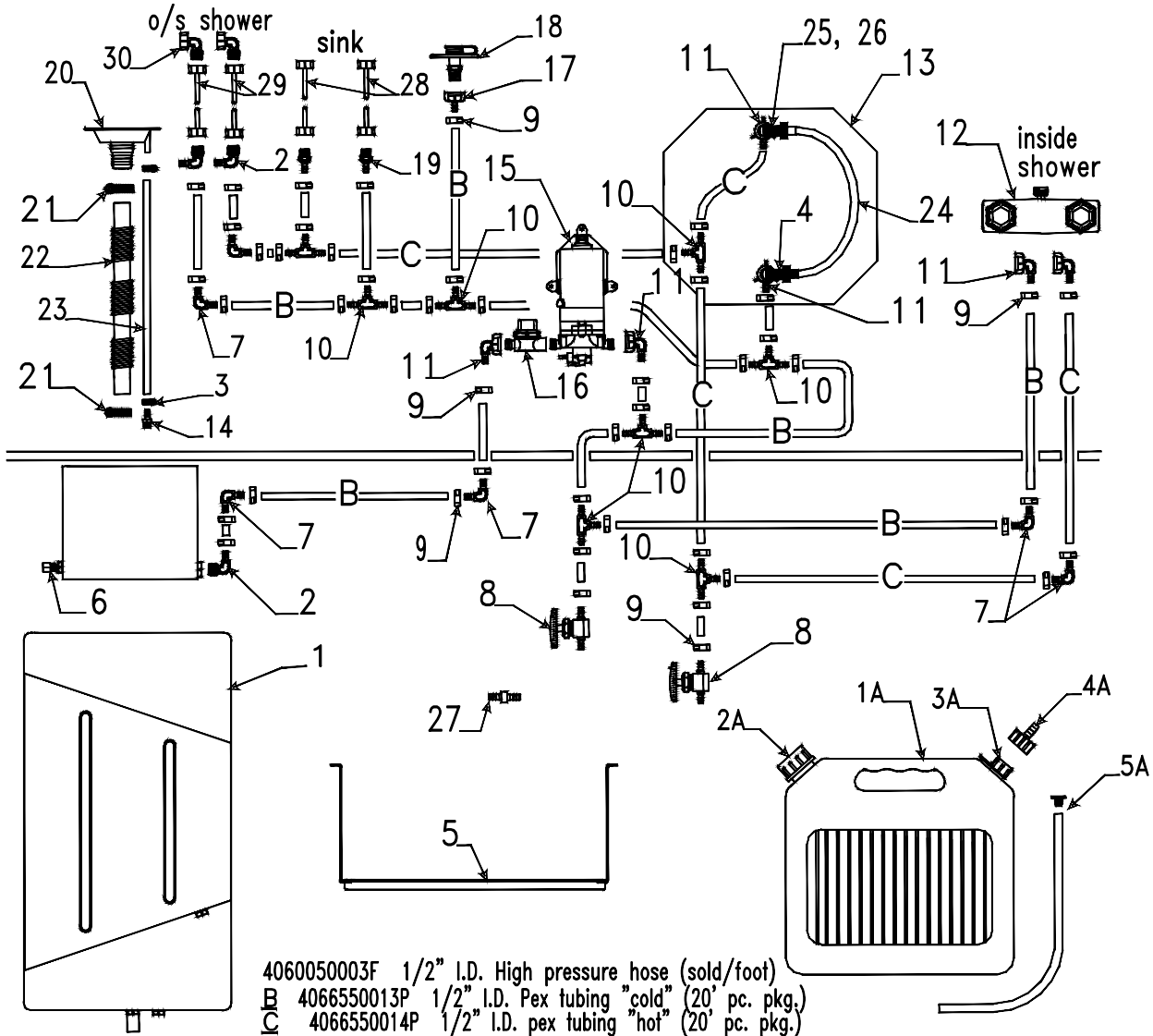




4701C5401 Screen Door Complete - E1, E2, E3
 4701D6801 Screen Door Complete - Cobalt
 .30 Flat Rate Screen Door Complete

Note: parts marked w/* asterisk are not included w/screen door

Screen Door Components							
Flat Rate	Code	Part #	Description	Flat Rate	Code	Part #	Description
0.10	1	4713-0141	top sliding window pane	0.05	9	4730A3548	stud w/screw x2
0.40	2	4701A1601	stationary window pane	0.20	10	4731A8201	spring package
0.15	3	4060000086F	rubber seal (sold/foot)	0.30	11	4758C0571	top bracket - E1, E2, E3
		Note: around perimeter of window pane		0.30		4758C0561	top bracket - Cobalt
0.15	4	*4742-9671	door latch assembly	0.15	12	4734D5211	cable assy. m6
0.15	5	4720C3601	hinge x2	0.50	13	4710A3791	corner brace hinge m2
	6	1203-8641	rivet m25	0.10	14	4716-1381	screened stationary pane
0.25	7	*4747B5621	screen door support	0.75		4716-1111	screening 36" x 18 1/2"
		*4060100399F	rubber seal (sold/foot)	0.10	15	4060000023P	d-seal "white" (5' pkg.)
0.20	8	4754A3811	vel-stick (pkg. of 2)	0.50	16	4716-3811	window lock pkg. rt./lt.



Water System & Related Parts - E1, E2, E3								
Flat Rate	Code	Part #	Description	Flat Rate	Code	Part #	Description	
1.50	1	4702A4161	water tank 35 gallon	0.15	19	4769-0638	1/2" b x 1/2" mpt adapter	
0.25	2	4769-0648	1/2" barb x 1/2" mpt elbow	0.30	20	4731D1711	fill spout	
0.15	3	4731-3058	adjustable hose clamp 3/8"	0.15	21	4715-4501	adjustable hose clamp	
0.25	4	4767-1401	3 way MPT shut off valve	0.35	22	4731H1081	water fill hose (3' pc.)	
0.20	5	4758B5391	tank hanger 8" x 24 1/2"	0.20	23	4060050003F	1/2" h.p. hose (sold/ft.)	
0.15	6	1218-7001	tank plug	0.15	24	4767-1381	nylon bypass hose 8"	
0.25	7	4769-0618	1/2" x 1/2" barbed elbow	0.25	25	4767-1371	1/2" MPT brass tee	
0.20	8	4769-0598	1/2" barbed line drain	0.25	26	4767-1391	brass check valve	
0.25	9	4765-2351	1/2" ss clamp m100	0.25	27	4755A4828	1/2" x 1/2" insert coupler	
25.00	10	4769-0608	1/2" barbed tee	0.25	28	4769-1301	48" water line assy.	
0.20	11	4769-0628	1/2" b x 1/2" fpt elbow w/nut	0.25	29	4769-1291	60" water line assy.	
0.50	12	4741B2071	shower diverter	0.25	30	4769-1318	swivel elbow	
*	13	4750-3421	water heater					
0.15	14	4732B4561	hose adapter	Portable Water Tank - 4428 Cobalt				
0.50	15	4741F5571	electric water pump	Flat Rate	Code	Part #	Description	
0.25	16	4747A8311	water filter	0.10	1A	4735-2131	water tank 5 gal. (complete)	
0.20	17	4769-0588	1/2" straight swivel adapter			4735D0988	water tank decal	
r.30	18	4732F1521	city fill			2A	4714-0231	large cap
						3A	4714-0221	small cap & strap
						4A	4714-0241	barb stem & collar
						5A	4714A0671	suction stem

Dinette Area Cushion/Backrest Assemblies & Covers - 2010 Evolution Series Flat Rate .10 Assembly - .25 Cover

Model	Cushion Assembly	Cushion Cover	Model	Backrest Assembly	Backrest Cover
4447 E1	4701C5441	4713C5441	4447 E1	4701B5431	4713B5431
4444 E2	4701A7151	4713A7151	4444 E2	4701B7161	4713B7161
4437 E3	4702-5461	4714-5461	4437 E3	4702A5451	4714A5451
4428 Cobalt	4701A6771	4713A6841	4428 Cobalt	4702-9301	4713-9301

CS Bench Cushion/Backrest Assemblies & Covers

Plastic Cushion Button x2 - 4710-2681 m5

Model	Cushion Assembly	Cushion Cover	Model	Backrest Assembly	Backrest Cover
4437 E3	4702-1611	4715-1611	4437 E3	4702A1601	4715A1601
Dimensions -	47" x 25" x 4"		Dimensions -	47" x 14" x 3"	

Dinette Cushion/Backrest Dimensions

Drape Package - 4447 E1, 4444 E2, 4437 E3, 4428 Cobalt			
Note: Package includes privacy curtains			
Drape Pkg.	# Of Panels	Flat Rate	Model
4701C5461	8	0.30	E1
4701B7801	8	0.30	E2
4702A5621	8	0.30	E3
4702-7391	8	0.30	Cobalt

Drape Tie Package (Qty. 1)	
4701-5471 (All) Flat Rate - .05	
4724A2011 termination (plastic hook) m10	

Shower Curtain - 4444 E2, 4437 E3	
.15 4757A7301 - shower curtain - white vinyl	

Drape Tab C-Shape	m60 - 4750-2891 Flat Rate - .05

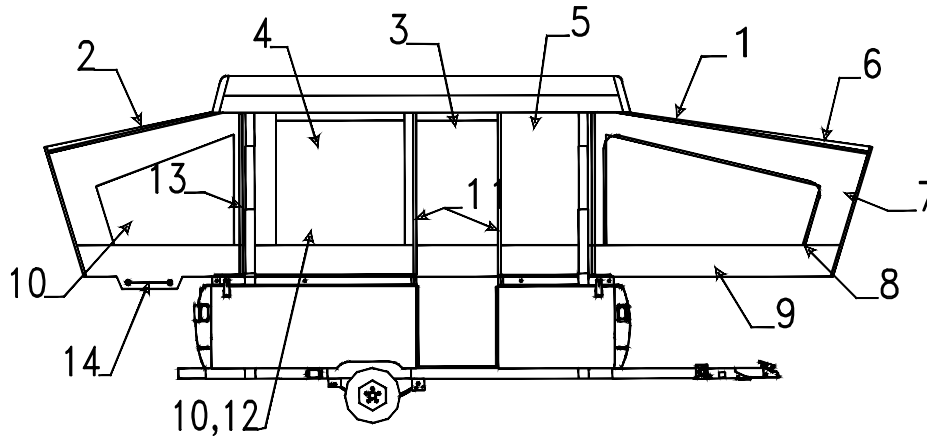
Dressing Room Curtain - 4444 E2, 4437 E3	
.15 4702-6131 - dressing room curtain pkg	

Privacy Curtain Pkgs. (Set of 2 Panels)	
0.15	4713C5461 - E1, E2, E3
0.15	4713B6981 - Cobalt

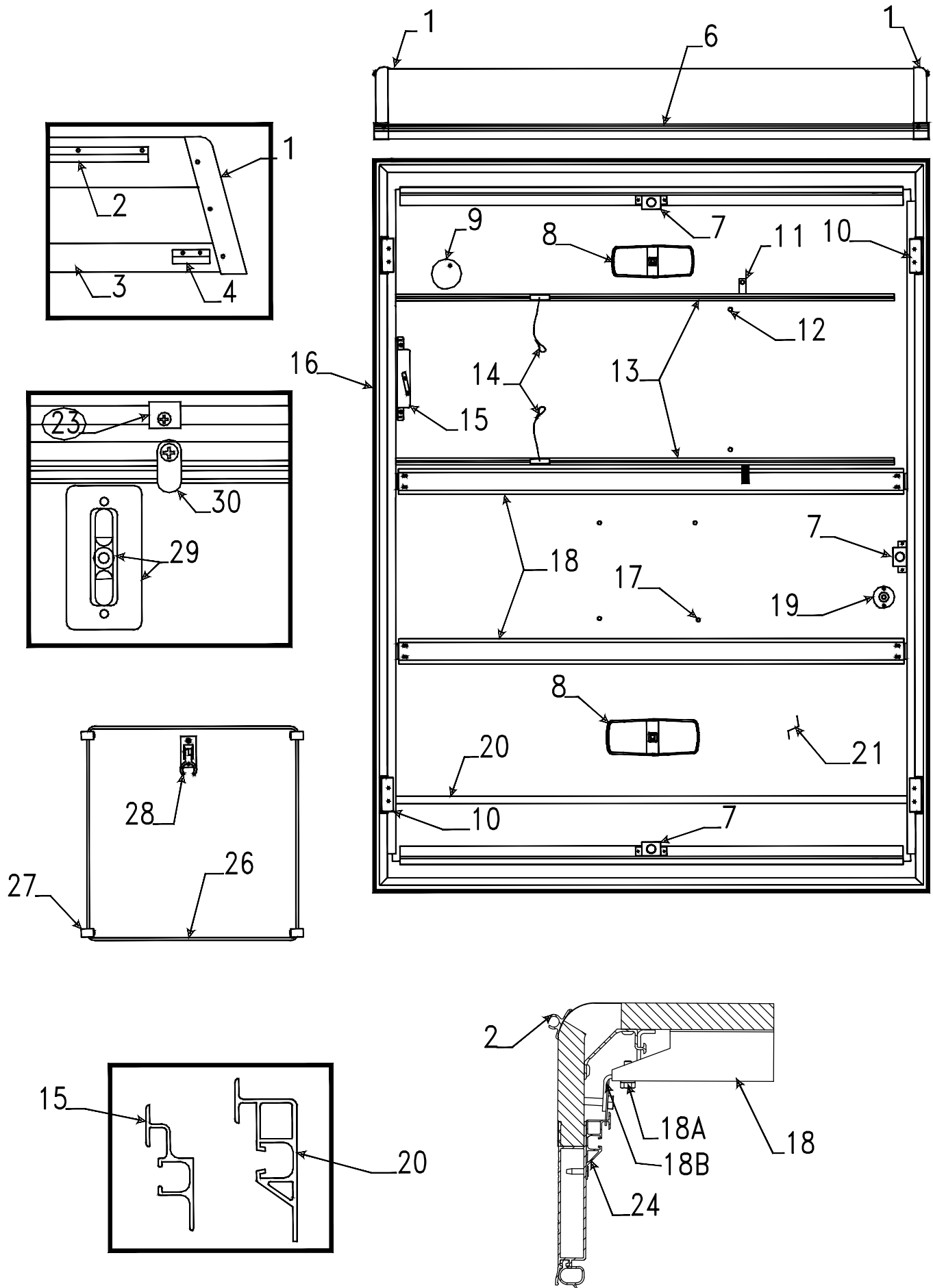
Single Drape Panel w/Safety Straps		
0.15	4713F1241	Single Drape Panel 24" x 47" - E1
0.15	4713F1401	Single Drape Panel 40" x 47" - E1
0.15	4713F3291	Single Drape Panel 29" x 47" - E2
0.15	4713F2211	Single Drape Panel 21 1/2" x 47" - E2, E3
0.15	4713F2321	Single Drape Panel 33" x 47" - E3
0.15	4713B0281	Single Drape Panel 34" x 48 1/2" - Cobalt
0.15	4713B0301	Single Drape Panel 23 1/2" x 48 1/2" - Cobalt

Flat Rate .50 per cover, .05 Assy.		
Mattress Assemblies & Covers - E1, E2, E3, Cobalt		
	Matt. assy. front	Matt. Cover front
4447 E1	4701C1641	4714C1641
4444 E2	4701C1631	4714C1631
4437 E3	4702B1441	4714B1441
4428 Cobalt	4702-9091	4713-9091
	Matt. assy. rear	Matt. Cover rear
4447 E1	4701C1631	4714C1631
4444 E2	4701C1641	4714C1641
4437 E3	4702B1441	4714B1441
4428 Cobalt	4702-9101	4714-9101

Mattress Assembly Dimensions		
	Front	Rear
4447 E1	77" x 48" x 4"	77" x 66" x 4"
4444 E2	77" x 66" x 4"	77" x 48" x 4"
4437 E3	77" x 70" x 4"	77" x 70" x 4"
4428 Cobalt	71 1/2" x 39 1/2" x 4"	71 1/2" x 55 1/2" x 4"



Tent Sections & Related Parts - E1, E2, E3, Cobalt			
Flat Rate	Code	Part #	Description
0.5	1	4701F5521	double boot (used on frt. of E1, rear of E2)
0.5		4702C5561	front king boot 4437 E3
0.5		4768A1621	front boot 4428 Cobalt
0.5	2	4701F5561	queen boot (used on frt. of E2, rear of E1)
0.5		4702C5561	rear king boot 4437 E3
0.5		4768A1631	rear boot 4428 Cobalt
0.2	3	4701C5541	large window 4447 E1
0.2		4701-7361	large window 4444 E2
0.4		4702B5551	large window w/glide-out 4437 E3
0.2		4768-1641	large window 4428 Cobalt
0.2	4	4701C5531	small window 4447 E1
0.2		4701-7341	small window 4444 E2
0.2		4702B5531	small window 4437 E3
0.2		4768-1651	small window 4428 Cobalt
0.15	5	4701C5551	door seal 4447 E1
0.15		4701-7351	door seal 4444 E2
0.15		4702B5541	door seal 4437 E3
0.15		4768-1661	door seal 4428 Cobalt
	6	8118501430P	top vinyl pkg. (85" x 3 yards)
	7	4716C0851	sunbrella patch package (12" x 14")
	8	6650500131F	zipper (sold/yard) used around window
		1225A4461	zipper pull m5
	9	8118001440P	black bottom vinyl facing pkg. (3 yd. x 80")
	10	4714E1611	screen package (84" x 3 yards)
		4714A0361	screen package (84" x 13 yards)
	11	4350000009P	1" velcro hook (10' pc. Pkg.)
	12	4716A2401	clear window vinyl (41" x 3 yards)
	13	1225-3678	47 1/2" side zipper pin half - E1, E2, E3
		1225-3688	47 1/2" side zipper slider half - E1, E2, E3
		1225-3658	52 1/2" side zipper pin half - Cobalt
		1225-3668	52 1/2" side zipper slider half - Cobalt
0.5	14	4060000245CP	shock cord (150' package)
0.5		4714C6021	shock cord & hooks m2 (two 14' lengths)
0.15		4724A2011	shock cord termination (plastic hook) m10
	15	4060000024F	arrowhead seal (sold/foot)
0.3	16	4735D6721	extension harness - E1, E2, E3
0.3		4757-6101	extension wire harness - Cobalt
0.5	17	4743-1588	k-kote seam sealer
	18	4728-5641	tent retainer pkg.
0.3	19	4710-1011	vinyl daubing "gray" m2
0.3		4713-0311	vinyl daubing "black"



4701F5111 Top Assembly 4447 E1
 4701D7251 Top Assembly 4444 E2
 4702D5571 Top Assembly 4437 E3

3.00 Top Replacement | 1.50 For A/C | 1.00 For Crossbars | .50 For Disposal

Flat Rate	Code	Part #	Description
0.5	1	4713-0031	plastic corner cap (4 cap per pkg.)
		4350000203P	tacky tape 1/16 x3/4" (20' pc.)
		4350000084P	foam tape 1/2" wide x 1/4" thick (sold/foot)
		4759-1401	flat head screw 3/4" "stainless steel" m12
	2	3530900243P	canopy/rack track extrusion 4447 E1, 37 E3
		3530900255P	canopy/rack track extrusion 4444 E2
	3	4702-9891	side seal extrusion 4447 E1
		4768-8371	side seal extrusion 4444 E2
		4702-8821	side seal extrusion 4437 E3
0.15	4	4769-2551	csf top strike (used x1)
0.15		4701-0481	top strike m2 (used x3)
		4701A0531	2" torx head screw "painted" m2
		1201B6958	nut (x2 per strike)
		4702-3811	strike foam gasket "black" m4
	5		
	6	4701-0521	end seal extrusion ft./rear (all)
	7	4768-1121	tent support bracket x2
		4733F41361	screw
0.15	8	4744G4741	double dome light
0.15		4737L5911	single dome light
		1103B08148	screw x4
0.15	9	4767-4641	carbon monoxide detector
	10	4741B5431	lift pocket x4
		1201B6378	lock nut 1/4-20
0.15	11	4723A5061	strap x2
	12	4730A3548	stud w/screw x2
0.3	13	4733H47181	screen door track x2
		4744B4611	expansion rivet m25
0.15	14	4734D5211	screen door cable m6
0.2	15	4749C5571	screen door bracket
		4747-2558	expansion rivet m25
		4749-2138	snap button m2
		1203-8631	rivet m25
0.5	16	4060100399P	rubber top seal (40' package)
	17	1203-9258	plastic accordion rivet m25
	18	4767A3631	a/c brace
	18A	4738A0898	hex bolt
		4749E1098	washer
	18B	4754A7031	a/c brace mounting bracket x2
	19	4756A8291	aux. light jack w/rivets
0.2	20	4350400004F	vinyl seam tape (sold/foot)
	21	6009435020P	ceiling panel 4' x 8' sheet
	22		
0.05	23	4750-2891	drape tab c-shape m60
	24	4068800093P	side tent/drape track (must cut to size)
	25	4068800092P	ft./rear tent/drape track (all)
0.1	26	4755B5231	shower curtain rod - E2, E3
0.2	27	4755-5211	shower rod strap x4 - E2, E3
0.15	28	4767-0101	shower head brkt. - E2, E3
0.15	29	4743A2501	screen door latch & plate pkg. (2 per pkg.)
0.2	30	4728A5641	tent retaining pkg.

4702A7301 Top Assembly 4428 Cobalt F.R. - 3.00

1.50 For A/C | 1.00 For Crossbars | 1.00 For Disposal

Top Assembly Components - 4328 Cobalt			
Flat Rate	Code	Part #	Description
0.5	1	4713-0031	top corner pkg. (pkg. of 4)
	2	4758-9921	tek screw "black" m12
0.5	3	3530900255P	canopy track "side" (must cut to size)
1	4	4701-04991	center seam (must cut to size)
		4060400097F	vinyl screw cover (sold/foot)
		1103B08081	tapping screw #8 x 1/2" m12
		4354700034P	1/8" x 3/4" butyl tape (20' pc. pkg.)
0.5	5	4701-4901	frt./rr. seal extrusion
0.15	6	4701-0481	top strike m2
		4701-0531	torx head screw "black" m12
		1201B6958	nut (x2 per strike)
0.15	7	4741F11381	tent support brkt.
		4733F41361	screw "painted" x2
0.15	8	4737L5911	single dome light
		1103B1028	screw x4
0.3	10	4733H47181	screen door track x2
		4744B4611	expansion rivet m25
0.2	11	4749A5571	screen door bracket
		4747-2558	expansion rivet m25
		4749-2138	snap button m2
		1203-8631	rivet m25
0.15	12	4734D5211	screen door cable m6
	13	4730A3548	stud w/screw x2
0.15	14	4723A5061	strap x2
0.3	15	4068800093P	frt./rear tent track
	16	1203-9258	plastic accordion rivet m25
	17	4767B3851	side cove x2 (must cut to size)
		4741B9658	expansion rivet m25
0.2	18		
	19	4767A3841	cove front/rear (must cut to size)
		4741B9658	expansion rivet m25
0.3	20	4068800093P	side tent track (must cut to size)
0.2	21	4747D5521	lift pocket cover x4 (all)
		4741D3558	hole plug x2
		4351400005F	velcro loop (sold/yard)
0.25	22	4741B5431	lift pocket x4
0.15	23	4743-2501	plastic screen dr. latch pkg.
		Note: pkg. includes (2) latches & mounting hardware	
0.5	24	4060100399P	rubber top seal (40' package)
	25	4728A5641	tent retaining pkg.
0.05		4750-2891	drape tab c-shape m60
		4738-3088	screw
0.75	26	4701-4891	side seal extrusion
0.25	27		
0.15	28	4767-4641	carbon monoxide detector
	29	6009435020P	ceiling panel 4' x 8' sheet

