



**2008**

**Highlander Series  
Repair Parts Catalog**

4235 Saratoga 12'

4231 Arcadia 14'

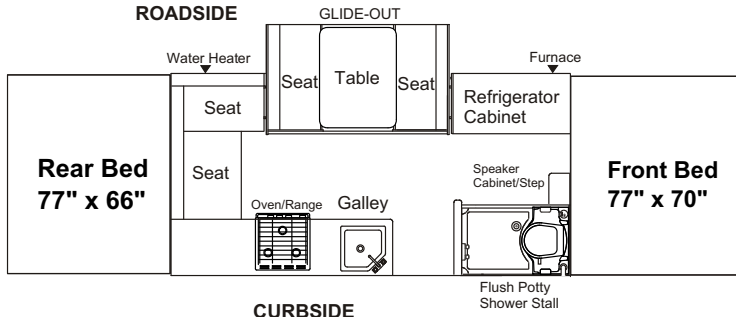
4233 Niagara 14'

4249 Avalon 16'

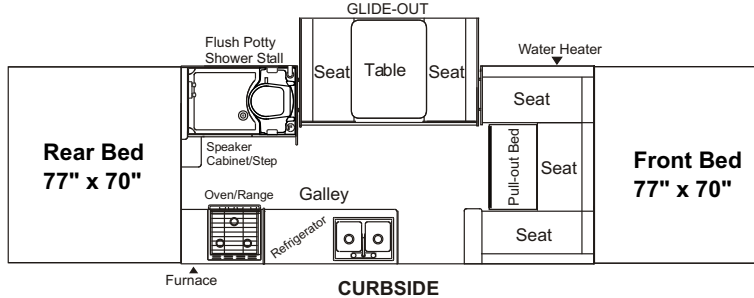
4215 Tacoma 14'

# 2008 HIGHLANDER SERIES

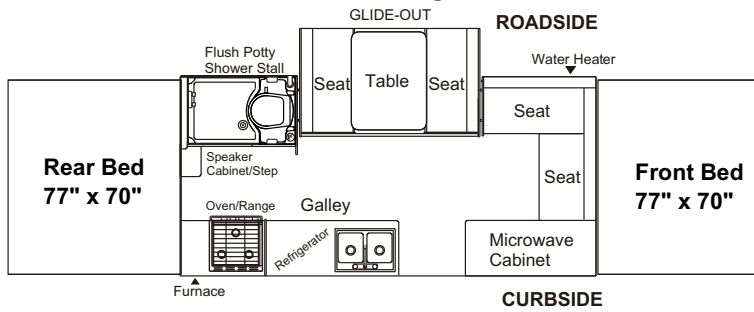
## 4235 Saratoga 12'



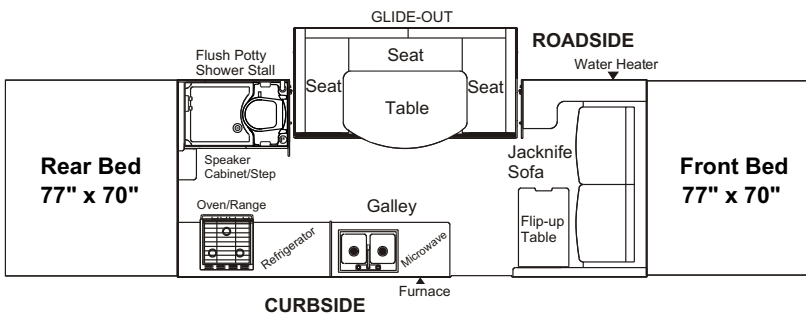
## 4231 Arcadia 14'



## 4233 Niagara 14'

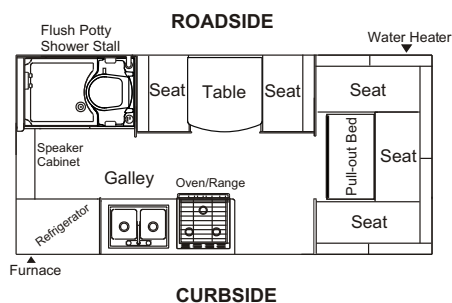


## 4249 Avalon 16'



## 4215 Tacoma 14'

Solid Wall Trailer

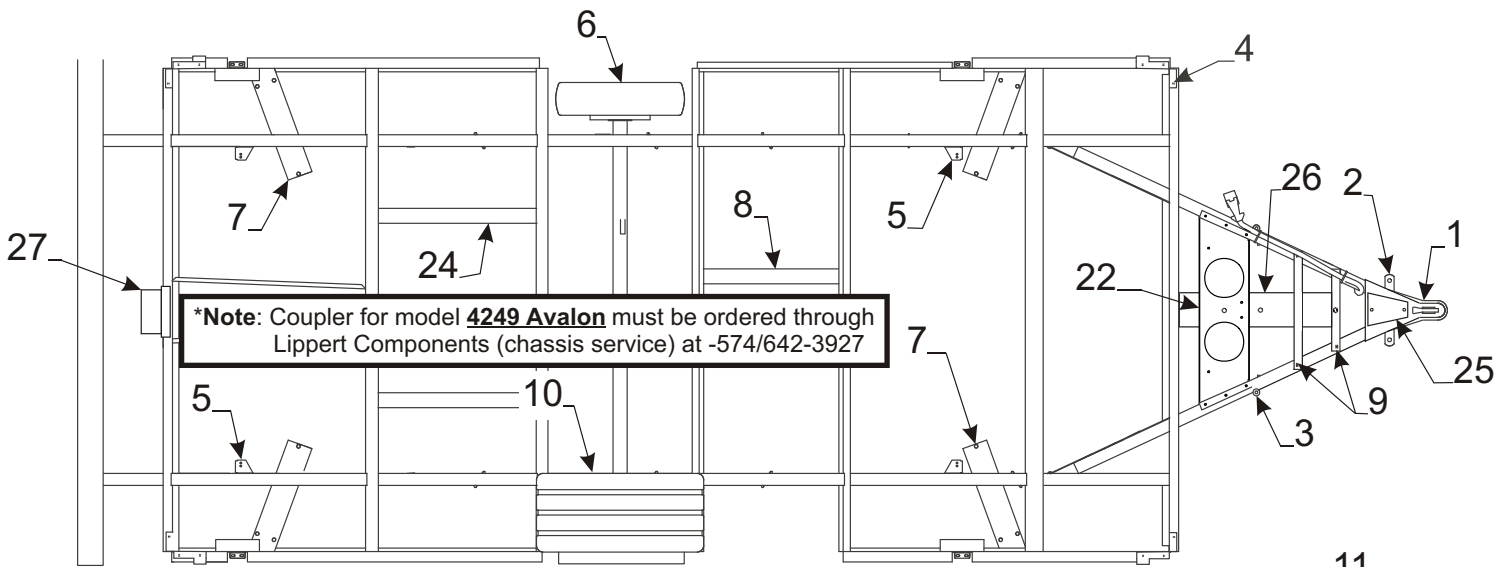


# TABLE OF CONTENTS

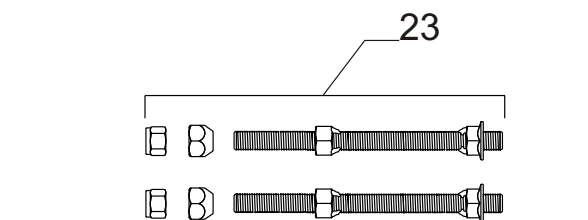
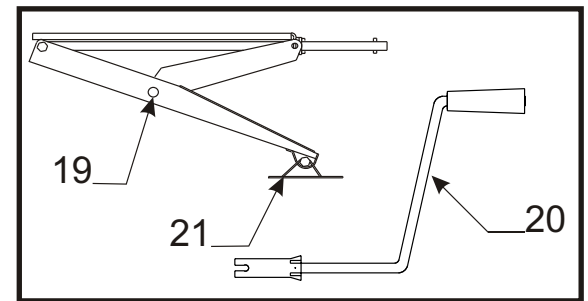
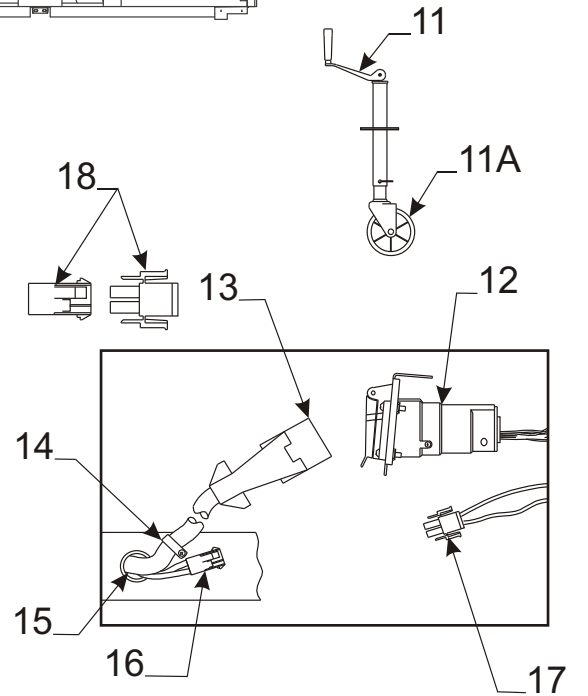
| <b>DESCRIPTION</b>                                      | <b>PAGE</b> |
|---|-------------|
| Access door key .....                                   | 32          |
| Access door assembly & related parts .....              | 7           |
| Antenna .....   | 12          |
| Auto extension .....                                    | 27          |
| Axle assemblies & related parts .....                   | 3           |
| Backrest assemblies & covers .....                      | 34, 35      |
| Bathroom area components .....                          | 22, 24      |
| Bed assemblies.....                                     | 28          |
| Bed extensions & related parts .....                    | 28          |
| Body panel right rear (curbside) .....                  | 8           |
| Body panel roadside .....                               | 10          |
| Body panel roadside glide-out .....                     | 10, 11      |
| Body panel front & rear .....                           | 6           |
| Body panel right front (curbside) .....                 | 9           |
| Bumper & related parts .....                            | 6           |
| Cabinet assy. csf microwave cabinet - <b>Niagara</b> .. | 19          |
| Cabinet assy. rsf reefer cab. - <b>Saratoga</b> .....   | 21          |
| Cabinet assy. rsf - <b>Avalon</b> .....                 | 20          |
| Caulking .....  | 27          |
| Converter & related parts .....                         | 26          |
| Corner bulkhead assembly .....                          | 2           |
| Coupler assembly .....                                  | 2           |
| Crank & sprocket assy. components .....                 | 5           |
| Crank handle .....                                      | 32          |
| Cushion assemblies & covers .....                       | 34, 35      |
| Door bulkheads .....                                    | 7           |
| Drain assy. (used on sinks) .....                       | 13, 15      |
| Drape packages & related parts .....                    | 36          |
| Drawer assembly components .....                        | 26          |
| Electric brakes & related parts .....                   | 3           |
| Fire extinguisher & components .....                    | 12          |
| Flip-up table assy. csf components - <b>Avalon</b> .... | 21          |
| Floor covering .....                                    | 2           |
| Flush potty and related parts .....                     | 15          |
| Frame assembly & related parts .....                    | 2           |
| Galley assy. components .....                           | 12          |
| Gas detector .....                                      | 26          |
| Gas hose (gas bottle hook-up) .....                     | 33          |
| Gas bottle mounting brackets .....                      | 33          |
| Gas quick disconnect (outside gas hookup) .....         | 33          |
| Gas bottle cover (plastic/diamond plate) .....          | 36          |
| Gas bottle cover (black vinyl) .....                    | 33          |
| Gas bottle & related parts .....                        | 33          |
| Glide-out components .....                              | 11          |
| Glide-out curtain/valance .....                         | 36          |
| Glide-out tent bow/tent support .....                   | 29          |
| Grease cap (dust cap) .....                             | 3           |
| Hatch door (curbside frt. panel) .....                  | 9           |
| Hub assembly & related parts .....                      | 3           |
| Kill switch & plate .....                               | 12, 28      |
| Lift assemblies & related parts .....                   | 4           |
| Lift trim & miter covers .....                          | 8, 9, 10    |
| Galley components - (All models) .....                  | 12          |
| Grey water holding tank .....                           | 15          |
| Lug wrench .....  | 32          |
| Mattress assemblies & covers .....                      | 36          |
| Microwave .....   | 19          |
| Outside shower assy. .....                              | 10          |
| Oven/Range components .....                             | 12, 13      |
| Paint (spray & quart can) .....                         | 27          |
| Paneling & trim .....                                   | 27          |
| Parts package & components .....                        | 32          |
| Pigtail (car end) .....                                 | 2           |
| Plumbing and related parts .....                        | 15          |
| Potty (flush potty) .....                               | 23, 25      |
| Potty/shower cabinet .....                              | 23, 25      |

| <b>DESCRIPTION</b>                                    | <b>PAGE</b>    |
|---|----------------|
| Power cord (converter) .....                          | 26             |
| Power Lift components .....                           | 5              |
| Radio/CD player .....                                 | 12, 19         |
| Radio Antenna .....                                   | 12, 19         |
| Receptacle (exterior) .....                           | 8              |
| Receptacle (interior) .....                           | 26             |
| Refrigerator vents .....                              | 8, 10          |
| Regulator & fittings (change over regulator) .....    | 33             |
| Safety chains .....                                   | 32             |
| Screen door & related parts .....                     | 30             |
| Seat bench component parts .....                      | 16, 17, 18, 19 |
| Seat components (glide-out) .....                     | 11             |
| Shower curtain .....                                  | 36             |
| Shower curtain track .....                            | 23, 25, 40     |
| Shower stall w/potty .....                            | 22, 23,24, 25  |
| Shower head & hose .....                              | 22, 23,24, 25  |
| Shower (Outside shower assy.) .....                   | 10             |
| Sink .....  | 12             |
| Sink drain & related parts .....                      | 13, 15         |
| Sofa area (Jackknife sofa) - <b>Avalon</b> .....      | 20             |
| Spare tire cover (black vinyl) .....                  | 2              |
| Spare tire mount package .....                        | 2              |
| Speaker (interior) .....                              | 17, 19         |
| Speaker (exterior) .....                              | 8, 9           |
| Stabilizer assembly .....                             | 2              |
| Stabilizer handle/lug wrench combo .....              | 32             |
| Step components (outside step) .....                  | 7              |
| Stove Outside H.P. flip-down .....                    | 16             |
| Stove/Oven components .....                           | 13             |
| Table assemblies & related parts .....                | 14             |
| Table assy. (csf flip-up Table) - <b>Avalon</b> ..... | 21             |
| Taillights (rear body panel) .....                    | 6              |
| Tent bow (bed assy.'s) .....                          | 28             |
| Tent bow/support (glide-out) .....                    | 29             |
| Tent support assemblies & related parts .....         | 29             |
| Tenting & related parts (sunbrella) .....             | 37             |
| Thermostat (Hydro Flame) .....                        | 26             |
| Thrust nut & bearing .....                            | 4              |
| Tie backs (curtains) .....                            | 36             |
| Tire & rim .....                                      | 2              |
| Tire cover "black vinyl" .....                        | 2              |
| Tongue jack & related parts .....                     | 2              |
| Top assemblies & related parts .....                  | 40, 41         |
| Trim tape kits .....                                  | 6,7,8,9        |
| Valance package .....                                 | 36             |
| Wall assy.'s front/rear/ sides - 4215 Tacoma ...      | 38, 39         |
| Water heater .....                                    | 31             |
| Water faucet .....                                    | 12             |
| Water system & related parts .....                    | 31             |
| Wheel well .....                                      | 2              |
| Whiffletree & related parts .....                     | 4              |
| Zippers (tenting assemblies) .....                    | 37             |

|   |              |
|---|--------------|
| Axle/Brakes - Dexter .....                  | 574/295-7800 |
| Converter - World Friendship Co. ....       | 800/900-2468 |
| Furnace - Hydro Flame #7916-11 .....        | 800/546-8759 |
| Power Lift - Barker .....                   | 888/367-6978 |
| Refrigerator - Dometic .....                | 800/216-5115 |
| Oven/Range - Atwood Greenbrier .....        | 800/646-8557 |
| Potty Flush Toilet - Sealand .....          | 877/898-7088 |
| Stove High Pressure - Atwood .....          | 574/264-2131 |
| Tires - Kenda .....                         | 800/225-4714 |
| Water heater - Suburban #5031E .....        | 423/775-2131 |
| Yakima bike rack - to obtain repair parts . | 800/925-4621 |



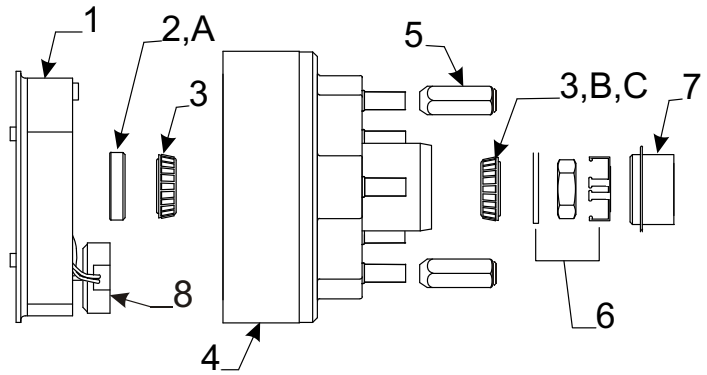
| Flat Rate | Code | Part #    | Description                               |
|-----------|------|-----------|---|
| 1.50      | 1    | 4772-4231 | *coupler assembly (all except Avalon)     |
| .75       | 2    | 4720A3561 | chain bar w/o pins                        |
| .50       | 3    | 4758-0381 | bed leg pin & washer                      |
| 2.00      | 4    | 4772B505  | corner bulkhead csr/rsf                   |
| 2.00      |      | 4772C504  | corner bulkhead rsr/csf                   |
|           |      | 1203C8751 | rivet m25 (rivet bulkhead to frame)       |
| .75       | 5    | 4732E3671 | adjustable pulley brkt. x4                |
| .75       |      | 4773-7641 | pulley brkt. plate assy. x2 - 4235        |
| .50       |      | 4715A5371 | pulley & bearing m10                      |
|           |      | 4720C1578 | short pin m4                              |
|           |      | 1204B1081 | cotter pin m10                            |
| .25       | 6    | 4772-8868 | tire/rim mag 14" 4231, 4233, 4215         |
| .25       |      | 4772-3598 | tire/rim mag 13" 4249, 4235               |
| .25       |      | 4766A1428 | spare tire/rim 14" "white" 4231, 33, 15   |
| .25       |      | 4753E8168 | spare tire/rim 13" "white" 4249, 4935     |
| .10       |      | 4773A5221 | 14" vinyl tire cover "black" 4231, 33, 15 |
| .10       |      | 4773-7721 | 13" vinyl tire cover "black" 4235         |
| .10       |      | 4723G3161 | 13" vinyl tire cover "black" 4249         |
| .05       |      | 4772A3601 | lug nuts (stainless steel) m5             |
| .25       |      | 4772-4141 | star mag center cover                     |
| 1.00      | 7    | 4755B6641 | stabilizer plate csf/rsr                  |
| 1.00      |      | 4755B6651 | stabilizer plate rsf/csr                  |
| .20       | 8    | 4758-5381 | water tank hanger brkt.                   |
| .20       | 9    | 4716A1751 | battery angle pkg.                        |
| 2.00      | 10   | 4759-0791 | wheel well assy. - 4231, 33, 35, 15       |
| 2.00      |      | 4773A6571 | wheel well x2 - 4249 Avalon               |
| .25       | 11   | 4772B4221 | tongue jack "less wheel"                  |
| .05       | 11A  | 4773-0421 | jack caster wheel                         |
| .35       | 12   | 4746A5591 | pigtail - "car end"                       |
|           | 13   | 4716-5871 | wire harness repair kit (8' section)      |
|           | 14   | 1201-8708 | 3/8" clamp                                |
|           |      | 1203C8721 | steel rivet m25                           |
|           | 15   | 4742-8108 | 1 1/4" snap bushing                       |
|           | 16   | 4716A5001 | 12 volt power harness                     |
| .15       | 17   | 4749B5531 | 12v harness w/15 amp breaker m2           |
| .15       |      | 4768-6291 | 12v harness w/40 amp breaker              |
| .15       | 18   | 4716A4701 | 12 volt cap & plug m2                     |
| .25       | 19   | 4751B3351 | stabilizer assy. (screw down)             |
|           |      | 4751-8208 | tapping screw (3 per stab.)               |
| .05       | 20   | 4747G4141 | crank handle                              |
| .10       | 21   | 4755A6841 | sand shoe (set of 4)                      |
|           | 22   | 4772D421  | dual gas bottle tray                      |
| .25       | 23   | 4741B5791 | spare tire mount. pkg.                    |
| .50       | 24   | 4773A6271 | grey tank hanger x2 4231, 33, 35, 15      |
| .50       |      | 4773B6271 | grey tank hanger x1 4231, 33, 35, 15      |
| .50       |      | 4773-6801 | grey tank hanger x2 4249                  |
| .50       |      | 4773A6801 | grey tank hanger x1 4249                  |
| .10       | 25   | 4767A8731 | coupler hole cover plate                  |
| .50       | 26   | 4773-6941 | spare tire carrier - 4249 Avalon          |
|           | 27   | 4773-7081 | rear center bulkhead - 4249 Avalon        |



\*\* 6610007211P floor covering pkg. (8' x 14')  
 \*\* Prior Authorization Needed From Factory

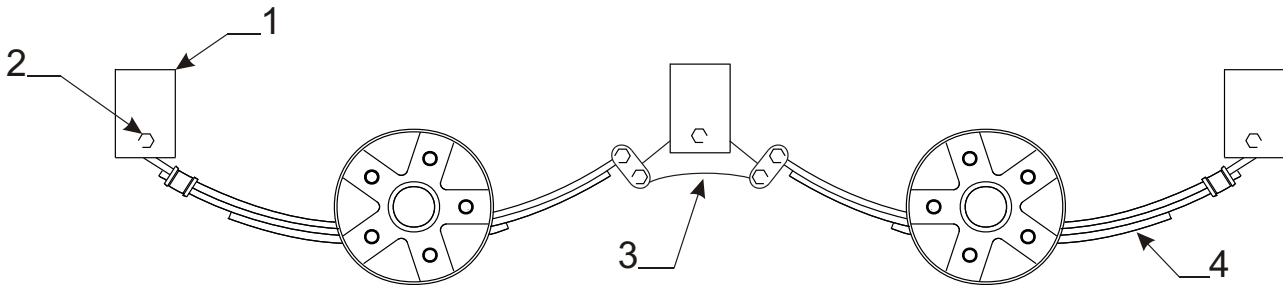
**Crossover Numbers To Purchase Locally**

- A** K71-303-00 Grease Seal
- B** L44649 Bearing "outer"  
L68149 Bearing "inner"
- C** L44610 Race "outer"  
L68111 Race "inner"



**Flat Rate .50 Per Side  
Electric Brake Pkg. 10" x 2 1/4" (4714J2011)**

| Flat Rate | Code | Part #    | Description                     |
|-----------|------|-----------|---------------------------------|
| .50       | 1    | 4716-6251 | 10" brake assembly (right hand) |
| .50       |      | 4716-6261 | 10" brake assembly (left hand)  |
| .50       | 2    | 4716A1441 | 10" grease seal (2 per pack)    |
| .50       | 3    | 4716A1451 | 10" bearing, race & seal pkg.   |
| .30       | 4    | 4716-1431 | 10" hub & drum x2               |
| .05       | 5    | 4772A3601 | lug nuts (stainless steel)m5    |
| .10       | 6    | 4714A3061 | retainer package                |
| .05       | 7    | 4714C0621 | EZ lube grease cap m4           |
| .40       | 8    | 4716-2881 | 10" magnet, spring & clip pkg.  |



**1.25 Axle Assy. Flat Rate**

- 4702-0791 10" brake axle assy. - 4231, 4233, 4235, 4215
- 4773A6661 10" brake axle assy. x2 - 4249 Avalon

**NOTE: Refer to Dexter Axle for required part (s) service phone - (574) 295-7888**

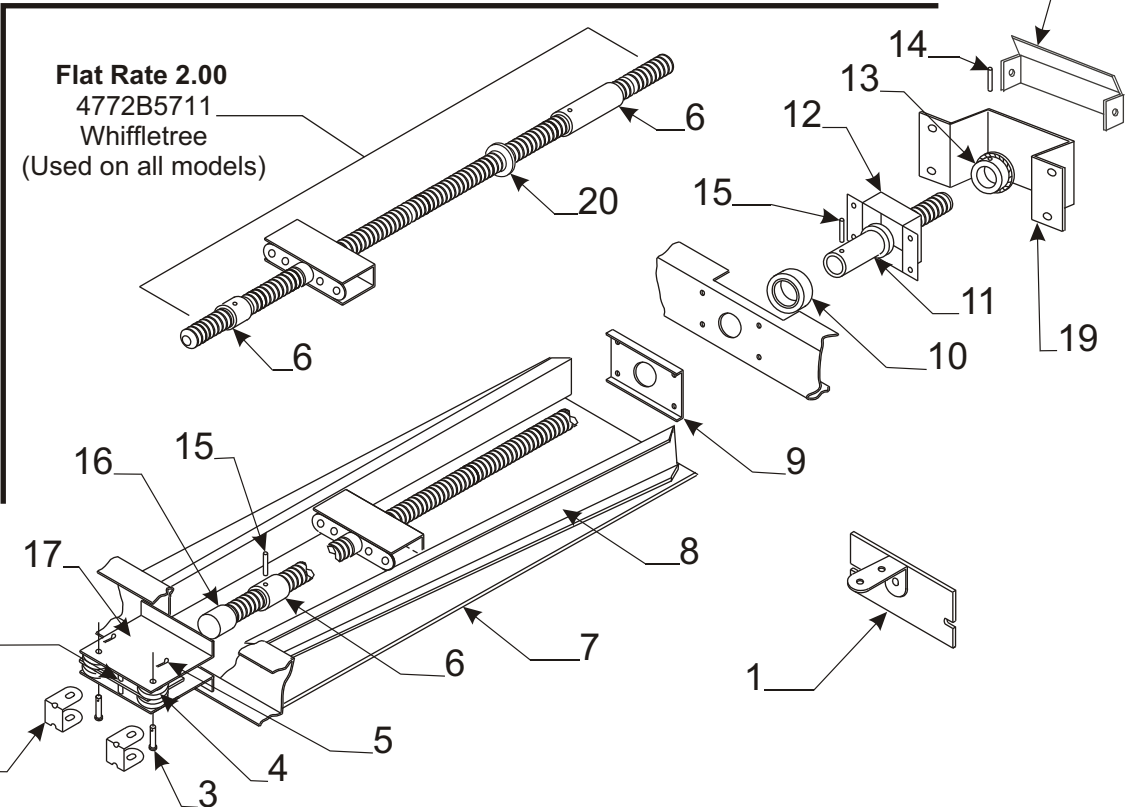
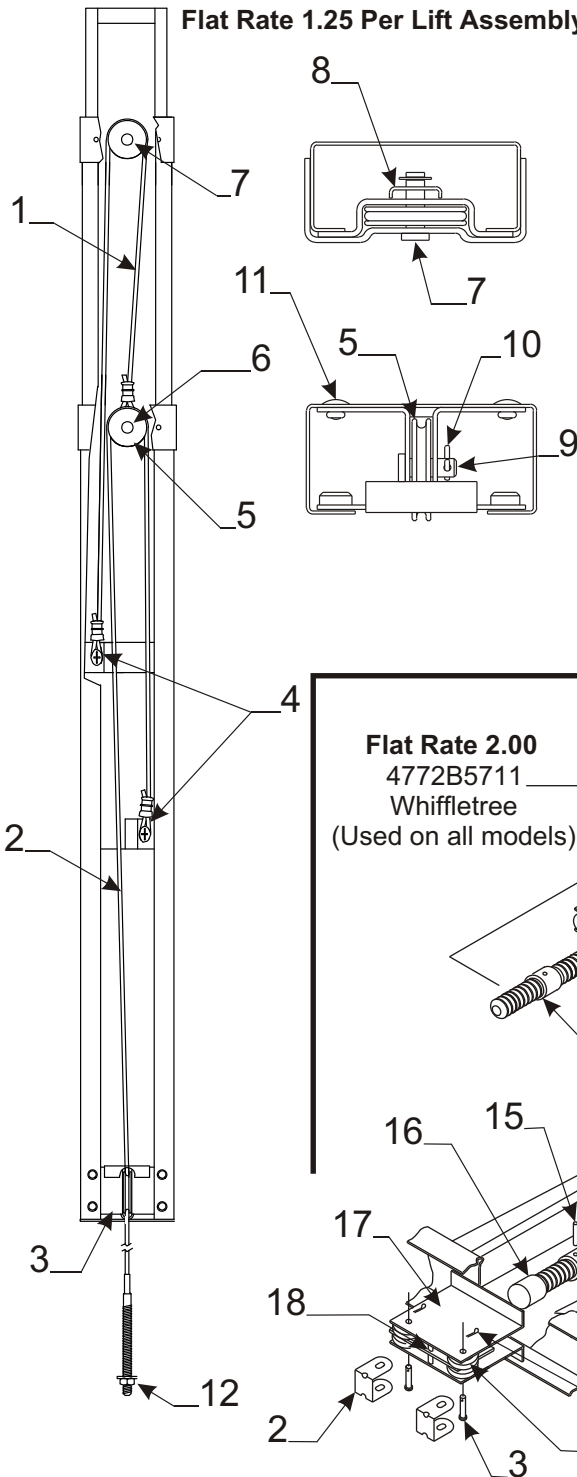
| Flat Rate   | Code | Part #     | Description                                     |
|---|------|------------|---|
| *   | 1    | 4741C3398  | spring shackle (front) 4231, 4233, 4235, 4215   |
| *   |      | 4741A3398  | spring shackle (rear) 4231, 4233, 4235, 4215    |
| <b>Note: spring shackles for Avalon must be ordered through Lippert</b> |      |            |   |
| .25   | 2    | 4737A1318  | shackle bolt                                    |
|   |      | 4741-9498  | shackle bolt nut                                |
|   | 3    | 4773-2801  | suspension kit 4249 Avalon                      |
| .75   | 4    | 4735H22081 | leaf spring (4 ply) axle 4231, 4233, 4235, 4215 |
| <b>Note: leaf springs for Avalon must be ordered through Dexter</b>     |      |            |   |

\* Prior Authorization Needed from Factory

4772A5091 lift assembly roadside rear/curbside front  
 4772A5101 lift assembly roadside front/curbside rear

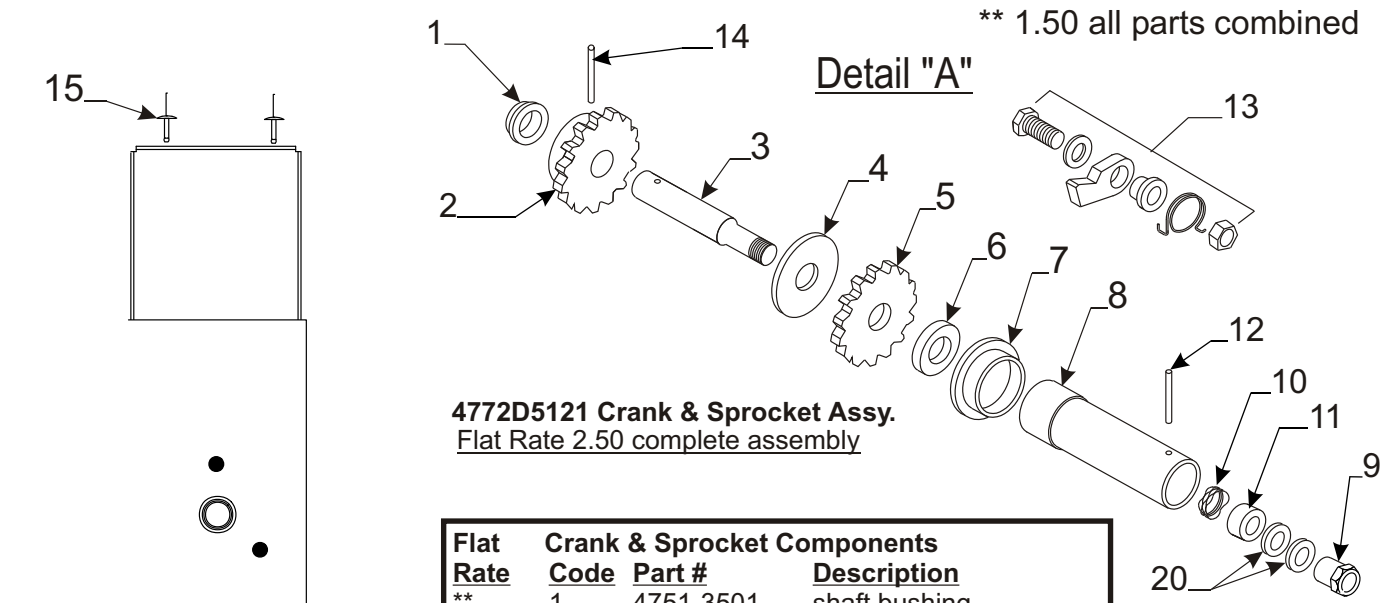
Flat Rate 1.25 Per Lift Assembly

| Flat Rate | Lift Assembly Code | Part #    | Description                 |
|-----------|--------------------|-----------|-----------------------------|
| .75       | 1                  | 4720D5271 | cable assembly x1 m2        |
|           |                    | 4720C1691 | cable crimp m20             |
| 1.25      | 2                  | 4773A2291 | 225 3/4" long cable & crimp |
|           |                    | 4744-1318 | copper cable crimp m10      |
| 1.25      | 3                  | 4731C5801 | butterfly bracket assy.     |
| .05       | 4                  | 4749-2081 | screw m6                    |
| .50       | 5                  | 4715A5371 | steel pulley & bearing m10  |
| .25       | 6                  | 4747-8931 | long pin x2                 |
|           |                    | 4730B0981 | retaining ring m12          |
| .25       | 7                  | 4749-4061 | short pin m4                |
|           |                    | 4730B0981 | retaining ring m12          |
| .25       | 8                  | 4749A2028 | retaining clip              |
| .45       | 9                  | 4720C1578 | lift pin m4                 |
|           | 10                 | 1204B1081 | cotter pin m10              |
|           | 11                 | 1203-8641 | rivet m25                   |
|           | 12                 | 1201B6378 | 1/4" lock nut               |
|           |                    | 1202E0408 | washer                      |
| .15       | 13                 | 4747-0321 | lift cover bottom           |



Flat Rate 2.00  
 4772B5711  
 Whiffletree  
 (Used on all models)

| Flat Rate | Whiffletree & Related Parts Code | Part #    | Description             | Flat Rate | Code | Part #    | Description           |
|-----------|----------------------------------|-----------|-------------------------|-----------|------|-----------|-----------------------|
| .15       | 1                                | 4749A821  | mud flap & brkt.        | 1.50      | 11   | 4720B2388 | thrust nut            |
| .50       | 2                                | 4744B1741 | cable retainer x2       | 1.50      | 12   | 4720B2408 | bearing housing       |
| .20       | 3                                | 4720J1561 | long pin m4             | 1.00      | 13   | 4730C3848 | sprocket 12 tooth     |
| .50       | 4                                | 4715A5371 | pulley & bearing m10    |           | 14   | 4720D1481 | roll pin m10          |
| .10       | 5                                | 1204B1081 | cotter pin m10          | 1.00      | 15   | 4744B1301 | shear pin m10         |
| 1.50      | 6                                | 4773-8808 | bushing 2 1/4"          | 2.00      | 16   | 4730D1291 | screw socket (welded) |
| 1.50      |                                  | 4772A184  | bushing 3"              | 2.00      | 17   | 4720-1551 | pulley plate          |
| .25       | 7                                | 4752C4921 | whiffletree pan cover   | .50       | 18   | 4715D5661 | pulley spacer         |
| .25       | 8                                | 4720F237  | pan cover side (welded) |           | 19   | 4772-3661 | chain cover           |
|           | 9                                | 4720C2418 | plate                   |           | 19A  | 4772B3171 | chain cutout cover    |
| 1.50      | 10                               | 4720B2421 | thrust nut bearing      |           |      |           |                       |

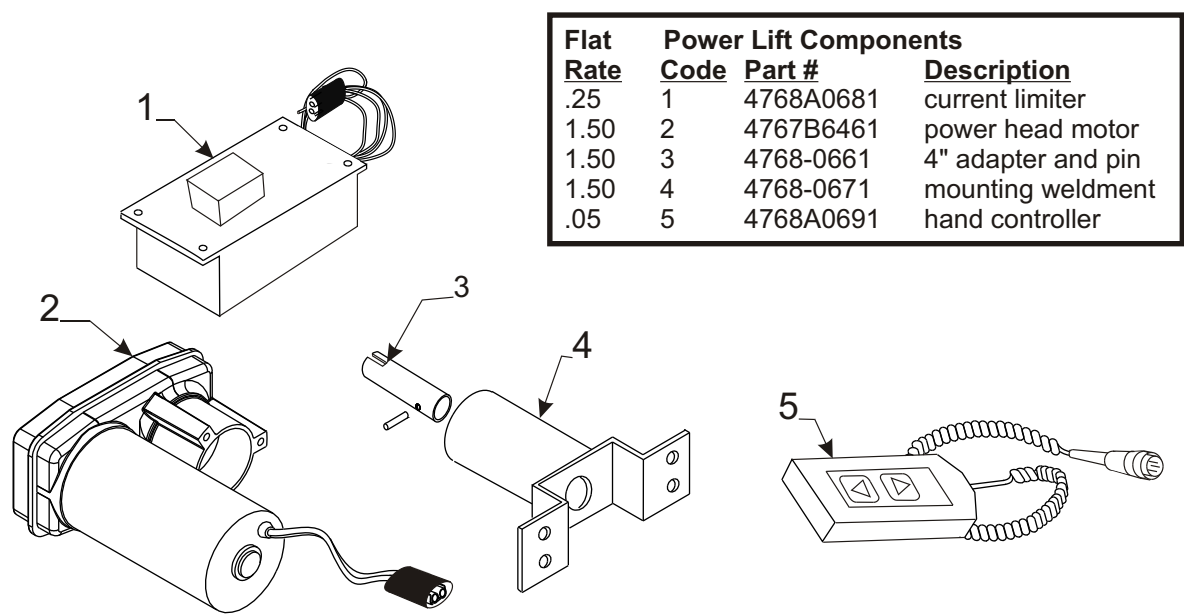


\*\* 1.50 all parts combined

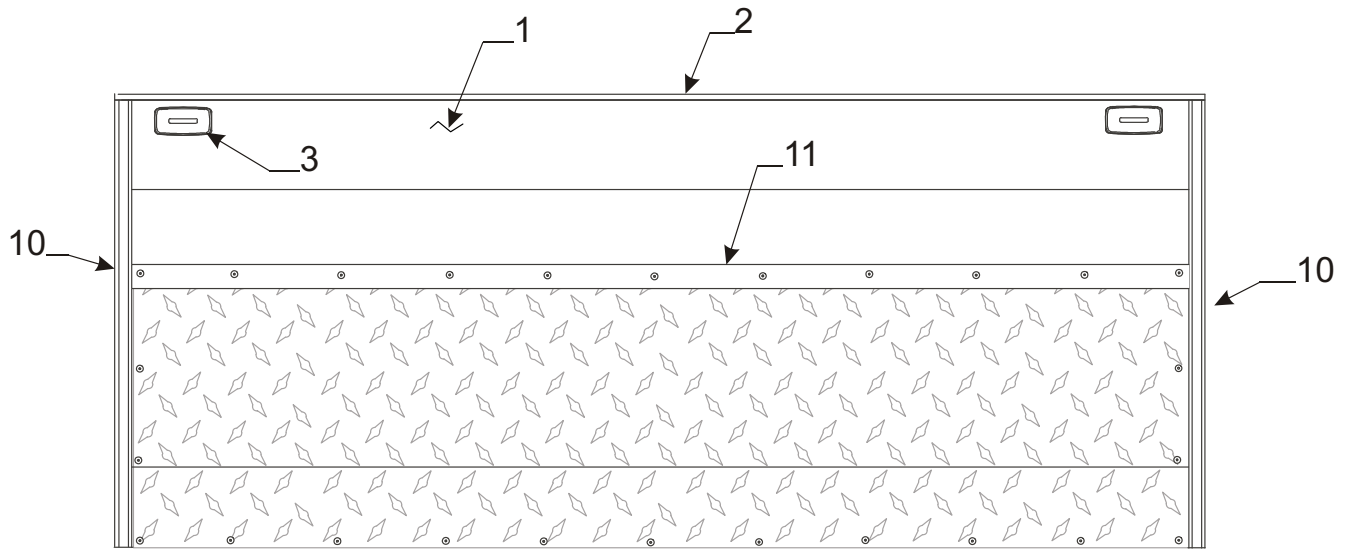
Detail "A"

**4772D5121 Crank & Sprocket Assy.**  
Flat Rate 2.50 complete assembly

| Flat Rate   | Crank & Sprocket Components |            | Description               |
|---|-----------------------------|------------|---------------------------|
|   | Code                        | Part #     |                           |
| **  | 1                           | 4751-3501  | shaft bushing             |
| **  | 2                           | 4730C3858  | sprocket 22 tooth         |
| **  | 3                           | 4751A3521  | drive shaft & nut         |
| **  | 4                           | 4751-3561  | pressure plate            |
| **  | 5                           | 4751-4831  | ratchet wheel             |
| **  | 6                           | 4751-3581  | pressure washer           |
| **  | 7                           | 4751A3591  | shaft bushing             |
| .75   | 8                           | 4716A1741  | drive hub extension pkg.  |
| <b>Note: package includes parts marked w/asterisk (*)</b> |                             |            |                           |
|   | 9                           | *4751B3551 | 5/8" nut                  |
|   | 10                          | *4752-3921 | handle spring m2          |
|   | 11                          | *4751-4671 | nylon washer              |
|   | 12                          | *4747A9451 | spiral roll pin m6        |
| .60   | 13                          | 4716-1221  | ratchet pawl package      |
|   | 14                          | 4759-0621  | 1 1/2" shear pin m10      |
|   | 15                          | 1203C8721  | rivet m25                 |
| 1.50  | 16                          | 4759-8031  | chain (w/connecting link) |
|   |                             | 4730A3811  | connecting link           |
|   | 17                          | 4731-3878  | hex head bolt x2          |
|   | 18                          | 1202B0438  | washer                    |
|   | 19                          | 1201B6038  | hex head nut              |
| **  | 20                          | *4757-3938 | washer x2                 |



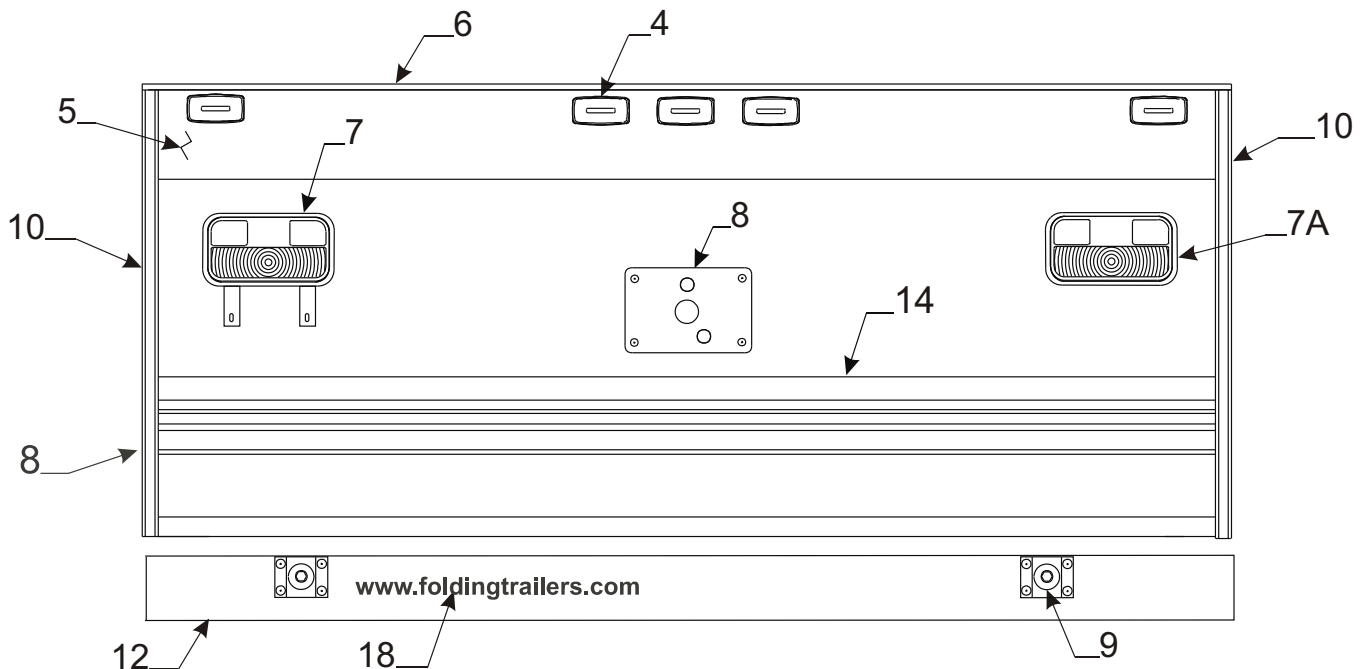
| Flat Rate | Power Lift Components |           | Description        |
|-----------|-----------------------|-----------|--------------------|
|           | Code                  | Part #    |                    |
| .25       | 1                     | 4768A0681 | current limiter    |
| 1.50      | 2                     | 4767B6461 | power head motor   |
| 1.50      | 3                     | 4768-0661 | 4" adapter and pin |
| 1.50      | 4                     | 4768-0671 | mounting weldment  |
| .05       | 5                     | 4768A0691 | hand controller    |



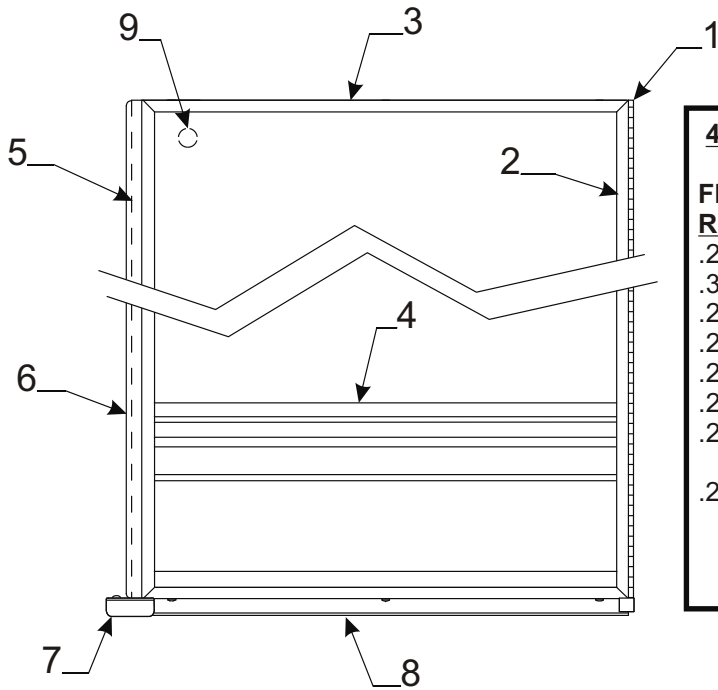
| * 1.50 Flat Rate Front Panel/2.50 Rear Panel |                                    |            |                              | Flat | Code | Part #      | Description                 |
|--|------------------------------------|------------|------------------------------|------|------|-------------|-----------------------------|
| Flat Rate                                    | Front & Rear Body Panel Components | Code       | Part #                       | Rate |      |             |                             |
| *  | 1                                  | 4772F1851  | front body pnl. (all models) | .10  | 7    | 4765-3511   | taillight w/license holder  |
|  |                                    |            |                              |      |      | 4716A1061   | taillight lens              |
|  |                                    |            |                              |      |      | 4747-2558   | expansion rivet m25         |
| .75  | 2                                  | 4754D8681  | front end rail               | .20  | 7A   | 4749B4321   | taillight x2                |
| .75  |                                    | 4773-820   | front end rail - Tacoma      | .10  |      | 4716A1061   | taillight lens              |
|  |                                    | 1203-8651  | rivet x5 m25                 | .10  | 8    | 4773-246    | rear panel cover plate      |
| .15  | 3                                  | 4714J08481 | amber marker light           |      |      | 4733D0601   | rivet m25                   |
| .10  |                                    | 4716A4571  | amber lens (lens only)       | .10  | 9    | 4716-0671   | bed leg pin & brkt.         |
| .25  |                                    | 4733H1311  | socket & harness             | .30  | 10   | 4772D3631   | corner trim                 |
|  |                                    | 4747-2558  | expansion rivet m25          |      |      | 4733-4138   | tek screw x10               |
| .15  | 4                                  | 4714J08581 | red marker light             |      |      | 4060400096F | vinyl screw cover (sold/ft) |
| .10  |                                    | 4716A4561  | red lens (lens only)         |      | 11   | 4772-4821   | rock guard trim cap         |
|  |                                    |            |                              |      |      | 4734C1861   | rivet m25                   |
| *  | 5                                  | 4772G1861  | rear pnl. 4231, 33, 35, 15   | .30  | 12   | 4773-6491   | bumper - 4249 Avalon        |
| *  |                                    | 4773B3221  | rear body pnl. Avalon        | .30  |      | 4772C3771   | bumper - 4231, 33, 35, 15   |
| .75  | 6                                  | 4772C0261  | rear end rail                | .05  |      | 4766-8961   | bumper end cap (cs)         |
| .75  |                                    | 4773-821   | rear end rail - Tacoma       | .05  |      | 4766A8961   | bumper end cap (rs)         |
|  |                                    | 4758-1141  | rivet x5 m25                 | .10  |      | 4730H3188   | "open" decal                |
|  |                                    |            |                              |      | 13   | 4767-0888   | www.com decal               |
|  |                                    |            |                              | .25  | 14   | 4356512008P | trim tape pkg. 20' pkg.     |

**Note:** Pnl. includes krystal kote & diamond plate sections

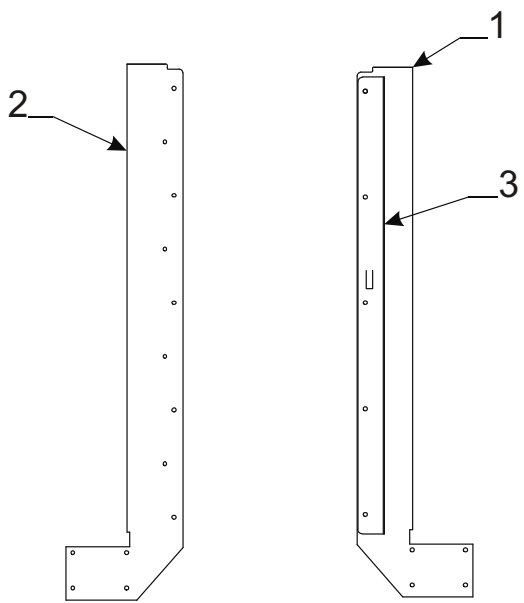
**Note:** refer to code # 3 for hardware



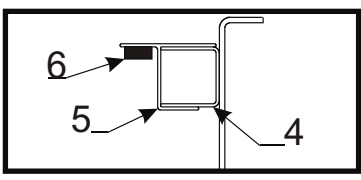




| <b>4772G5151 Access Door Assy. (All models) F.R. .50</b> |  |               |                           |
|--|--|---------------|---------------------------|
| <b>Flat Rate</b>   | <b>Access Door Assembly Components</b> |               |                           |
|  | <b>Code</b>                            | <b>Part #</b> | <b>Description</b>        |
| .25  | 1                                      | 4772A0311     | door hinge                |
| .35  | 2                                      | 4772A0321     | door frame                |
| .25  | 3                                      | 4749C9821     | door cap                  |
| .25  | 4                                      | 4356512008P   | trim tape pkg. (20' pc.)  |
| .20  | 5                                      | 4060000023P   | d-seal pkg. (5' pc.)      |
| .25  | 6                                      | 4772D0331     | door frame                |
| .25  | 7                                      | 4750-6451     | closeout brkt.            |
|  |  | 4716-081      | screw x2                  |
| .25  | 8                                      | 4747C3611     | bottom trim               |
|  |  | 4745-3968     | screw x2                  |
|  | 9                                      | 4768-2261     | rubber wall bumper - 4215 |
|  |  | 4754-895      | screw #10 x 1 1/4"        |

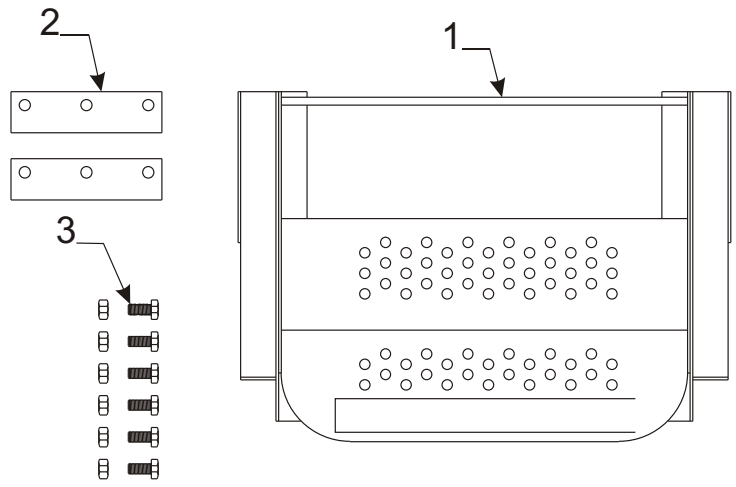


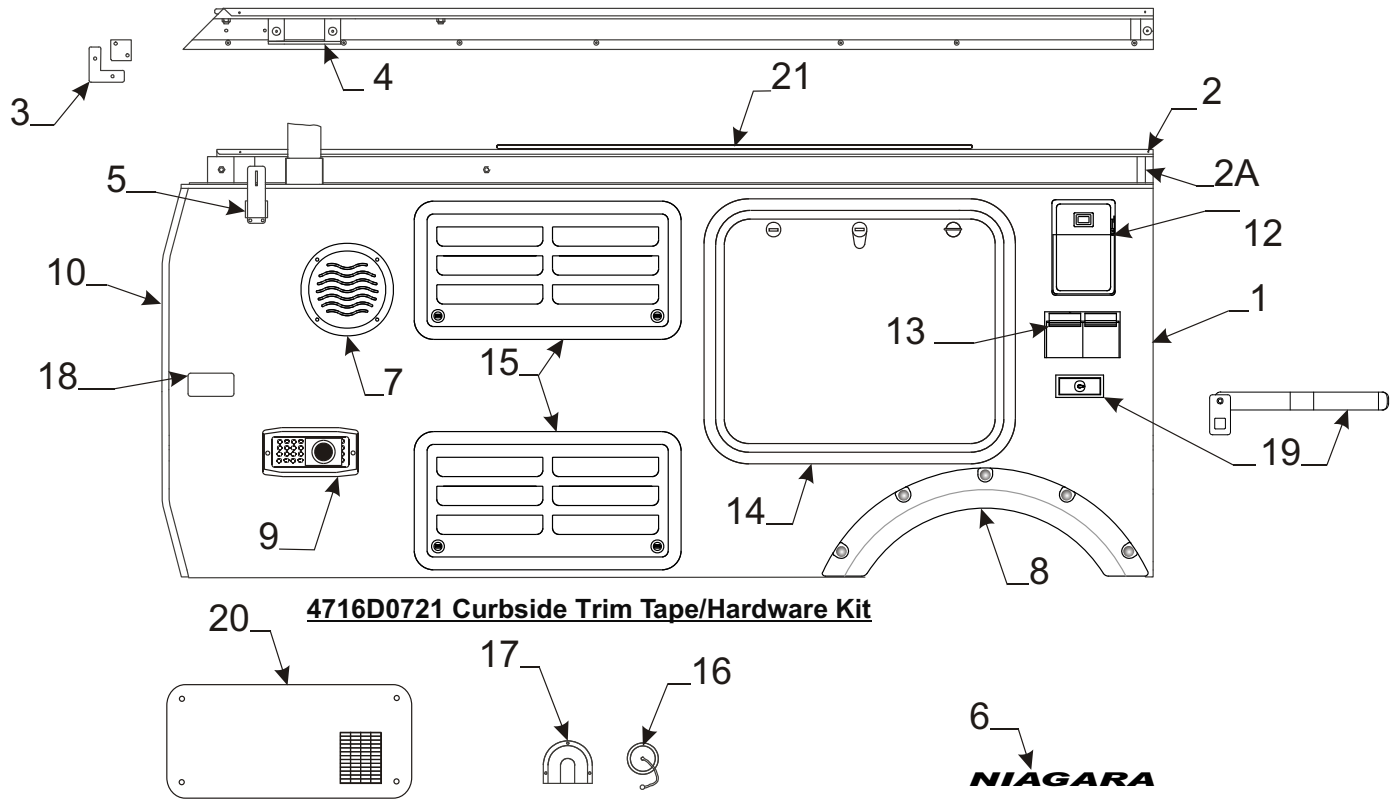
| <b>Flat Rate</b> | <b>Door Bulkheads &amp; Components</b> |               |                                  |
|------------------|--|---------------|----------------------------------|
|                  | <b>Code</b>                            | <b>Part #</b> | <b>Description</b>               |
| 1.25             | 1                                      | 4772A5141     | csr bulkhead (all except Tacoma) |
| 1.25             |  | 4769-740      | csr bulkhead (Tacoma only)       |
| 1.25             | 2                                      | 4772A5131     | csf bulkhead (all except Tacoma) |
| 1.25             |  | 4769-741      | csf bulkhead (Tacoma only)       |
| .35              | 3                                      | 4772A0301     | door seal angle                  |
|                  |  | 4733D0601     | rivet m25 "white"                |
|                  | 4                                      | 4773A878      | csf bulkhead u-channel brkt.     |
|                  |  | 4773A864      | csr bulkhead u-channel brkt.     |
|                  | 5                                      | 4773-862      | csf bulkhead seal frame          |
|                  |  | 4773-863      | csr bulkhead seal frame          |
|                  | 6                                      | 4060025006P   | 1/4" x 1/2" foam tape (4' pkg.)  |



Top View of Tacoma Bulkheads

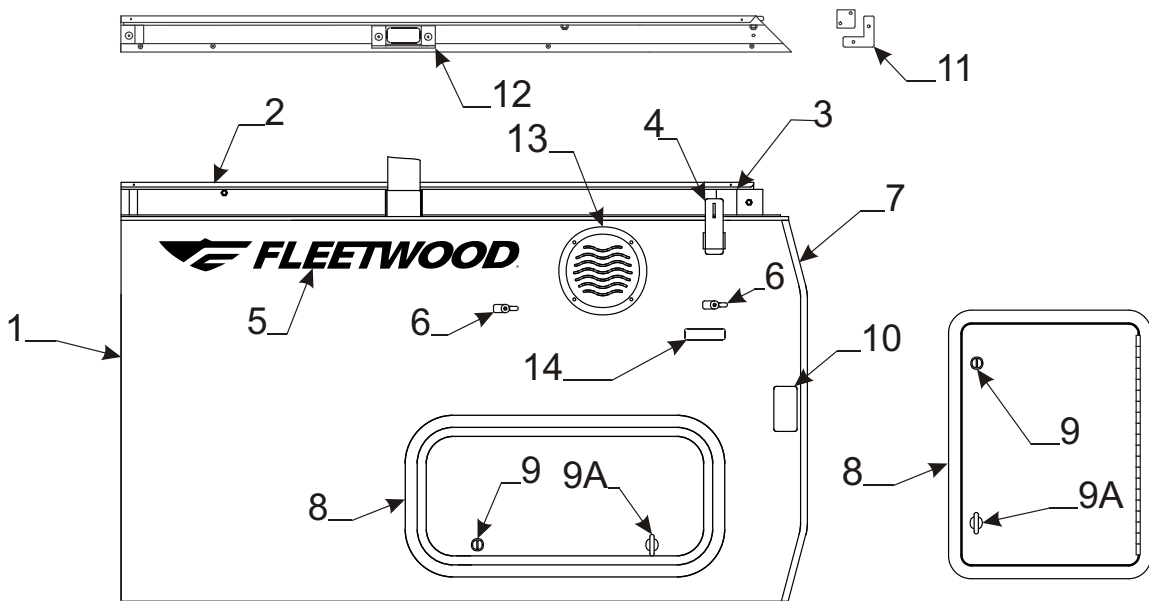
| <b>Flat Rate</b> | <b>Step Components</b> |               |                    |
|------------------|------------------------|---------------|--------------------|
|                  | <b>Code</b>            | <b>Part #</b> | <b>Description</b> |
| .50              | 1                      | 4747B9741     | step               |
|                  | 2                      | 4750-3361     | step shim x2       |
|                  | 3                      | 1200B3048     | bolt x6            |
|                  |                        | 1201B6068     | nut x6             |





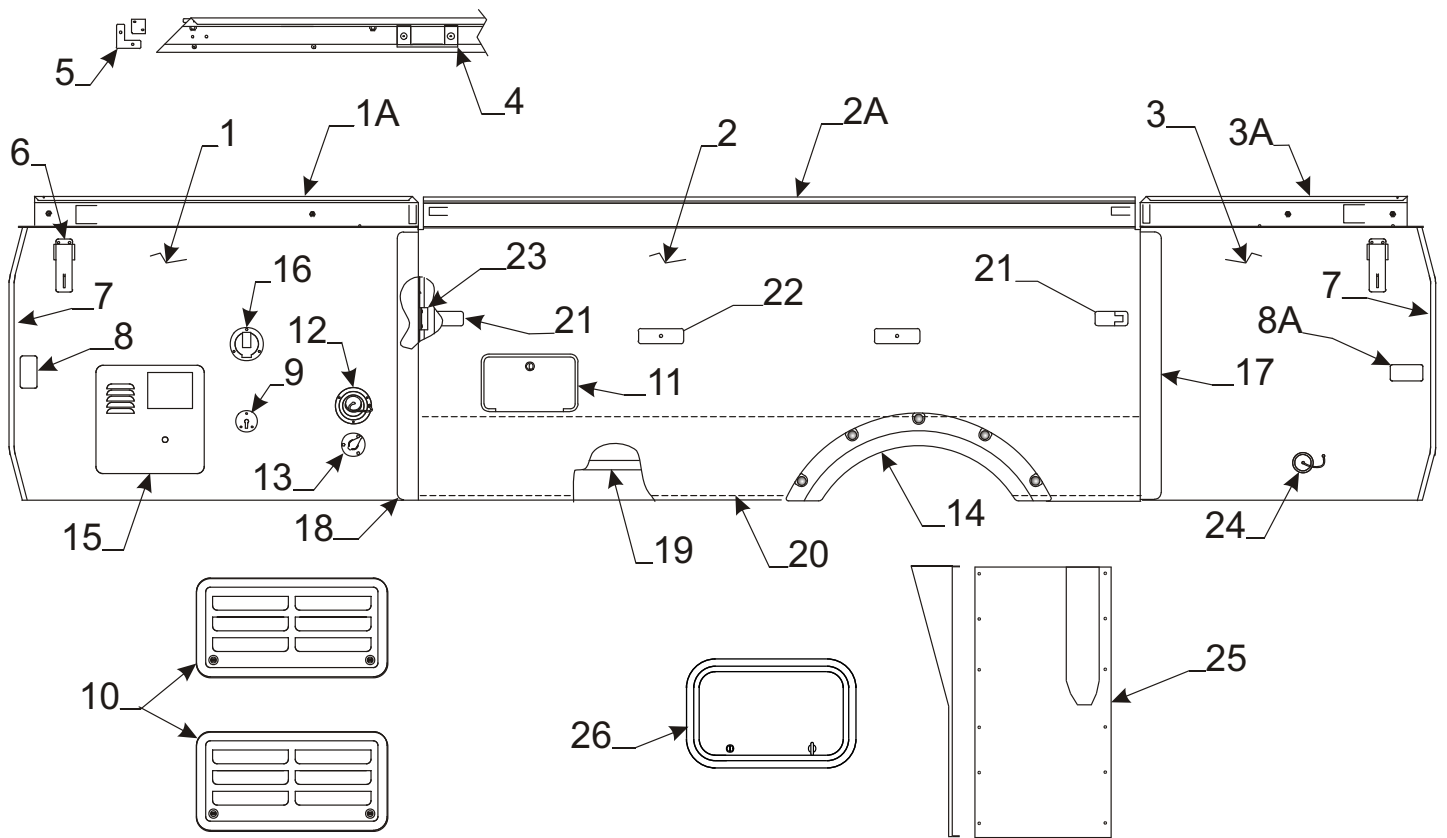
**4716D0721 Curbside Trim Tape/Hardware Kit**

| Flat Rate | Code | Part #    | Description                         | Flat Rate | Code | Part #   | Description                     |
|-----------|------|-----------|-------------------------------------|-----------|------|--|---------------------------------|
| 1.00      | 1    | 4772M4981 | csr body panel 4231, 4233, 4215     | .10       | 9    | 4741C9471                                      | furnace vent 8"                 |
| 1.00      |      | 4773B4101 | csr body panel 4235 Saratoga        | .30       | 10   | 4772D3631                                      | corner trim                     |
| 1.00      |      | 4773C2601 | csr body panel 4249 Avalon          |           |      | 4733-4138                                      | tek screw x10                   |
| 1.00      | 2    | 4772B8031 | csr body rail 4231, 4233            |           |      | 4060400096F                                    | vinyl screw cover (sold/ft)     |
| 1.00      |      | 4773A4111 | csr body rail 4235 Saratoga         | 1.00      | 11   | 4730C3111                                      | lock handle (with key)          |
| 1.00      |      | 4773A2621 | csr body rail 4249 Avalon           | .25       | 12   | 4757A1881                                      | porch light                     |
| 1.00      |      | 4773B8151 | csr body rail 4215 Tacoma           | .10       |      | 4716A1881                                      | porch light lens "amber"        |
| .10       | 2A   | 4716-2771 | vel-stick body rail pkg.            | .25       | 13   | 4746A3861                                      | duplex cover & outlet           |
| .15       | 3    | 4716-7061 | inner/outer miter cover pkg.m4      | .35       |      | 4746-3871                                      | duplex box                      |
| .15       |      | 4713-8331 | miter cover pkg.m4 -Tacoma          | .50       | 14   | 4766A8171                                      | flip down stove door            |
| .25       | 4    | 4734F4121 | lift trim, rivets & gasket pkg. m4  |           |      | <b>Note: Refer to page 16 stove components</b> |                                 |
|           |      | 4733-3398 | nylon flange bushing x2 per trim    | .50       | 15   | 4747D8341                                      | reefer vent & trim x2           |
| .15       | 5    | 4741C6041 | top latch w/out lock tab            | .10       |      | 4716-4441                                      | reefer vent clasp m4            |
|           |      | 4767-1701 | 1 1/2" tek screw m12                |           | 16   | 4714A2861                                      | drain cap & strap               |
|           |      | 4749-4848 | foam pad                            | .20       | 17   | 4757-9261                                      | vent cover "plastic"            |
| .25       | 6    | 4772C1878 | Arcadia name decal 4231             | .15       | 18   | 4714J08581                                     | red marker light x4             |
| .25       |      | 4772C8048 | Niagara name decal 4233             | .10       |      | 4716A4561                                      | red lens (lens only)            |
| .25       |      | 4773-4428 | Saratoga name logo 4235             | 1.00      | 19   | 4730C3111                                      | lock handle w/key               |
| .25       |      | 4773-2658 | Avalon name decal 4249              | 1.00      |      | 4772A6411                                      | latch & lever                   |
| .25       |      | 4759A1218 | Tacoma name logo 4215               | .30       | 20   | 4765-1201                                      | furnace cover - Avalon          |
|           | 7    | 4702-2061 | outside speaker "white"             |           | 21   | 4737B2211                                      | drape track 35 1/2"             |
|           |      | 4744B4611 | expansion rivet m25                 |           |      | 1203-8671                                      | rivet m25 (affix track to rail) |
| .25       | 8    | 4772-9401 | wheel well trim (all except Avalon) |           |      |  |                                 |
| .25       |      | 4773-1931 | wheel well trim - Avalon            |           |      |  |                                 |
|           |      | 4739F2901 | chrome snap cap m12                 |           |      |  |                                 |



### **4716D0721 Curbside Trim Tape/Hardware Kit**

| <b>Flat Rate</b> | <b>Curbside Right Front Body Pnl. &amp; Components</b> |               |  |
|------------------|--|---------------|--|
|                  | <b>Code</b>  | <b>Part #</b> | <b>Description</b>                       |
| .85              | 1  | 4772M1741     | csf body panel 4231 Arcadia              |
| .85              |  | 4772K8141     | csf body panel 4233 Niagara              |
| .85              |  | 4773A4121     | csf body panel 4235 Saratoga             |
| .85              |  | 4773C2661     | csf body panel 4249 Avalon               |
| .85              |  | 4772R1741     | csf body panel 4215 Tacoma               |
| 1.00             | 2  | 4772C8151     | csf body rail 4231 Arcadia, 4233 Niagara |
| 1.00             |  | 4773A4131     | csf body rail 4235 Saratoga              |
| 1.00             |  | 4773A2671     | csf body rail 4249 Avalon                |
| 1.00             |  | 4773A8141     | csf body rail 4215 Tacoma                |
| .10              | 3  | 4716-2771     | vel-stick body rail pkg.                 |
| .15              | 4  | 4741C6041     | top latch w/out lock tab                 |
|                  |  | 4767-1701     | 1 1/2" tek screw m12                     |
|                  |  | 4749-4848     | foam pad                                 |
| .25              | 5  | 4761-1958     | Fleetwood decal                          |
| .15              | 6  | 4738-3941     | turn button & rivet                      |
|                  |  | 1203-8831     | rivet m25                                |
| .30              | 7  | 4772D3631     | corner trim                              |
|                  |  | 4733-4138     | tek screw x10                            |
|                  |  | 4060400096F   | vinyl screw cover (sold/ft)              |
| .50              | 8  | 4767-8171     | hatch door 25" x 12" - Arcadia, Tacoma   |
| .50              |  | 4772A8161     | hatch door 24" x 16" - 4233 Niagara      |
| .15              | 9  | 4772-9201     | hatch door cam lock                      |
|                  |  | 4716-7511     | hatch door key m2 (#Ch751)               |
|                  | 9A   | 4765-9981     | chrome thumb turn                        |
|                  |  | 4751A829      | rubber o-ring                            |
| .15              | 10   | 4714J08481    | amber marker light                       |
| .10              |  | 4716A4571     | amber lens (lens only)                   |
| .25              |  | 4733H1311     | socket & harness                         |
|                  |  | 4747-2558     | expansion rivet m25                      |
| .15              | 11   | 4716-7061     | inner/outer miter cover pkg.m4           |
| .15              |  | 4713-8331     | miter cover pkg.m4 -Tacoma               |
|                  |  |               | <b>Note: pkg. Includes rivets</b>        |
| .25              | 12   | 4734F4121     | lift trim, rivets & gasket pkg. m4       |
|                  |  | 4733-3398     | nylon flange bushing x2 per trim         |
| .15              | 13   | 4702-2061     | outside speaker "white"                  |
|                  |  | 4744B4611     | expansion rivet m25                      |
| .15              | 14   | 4765-1331     | storage door holder                      |
|                  |  | 4741B9658     | expansion rivet x2 m25                   |

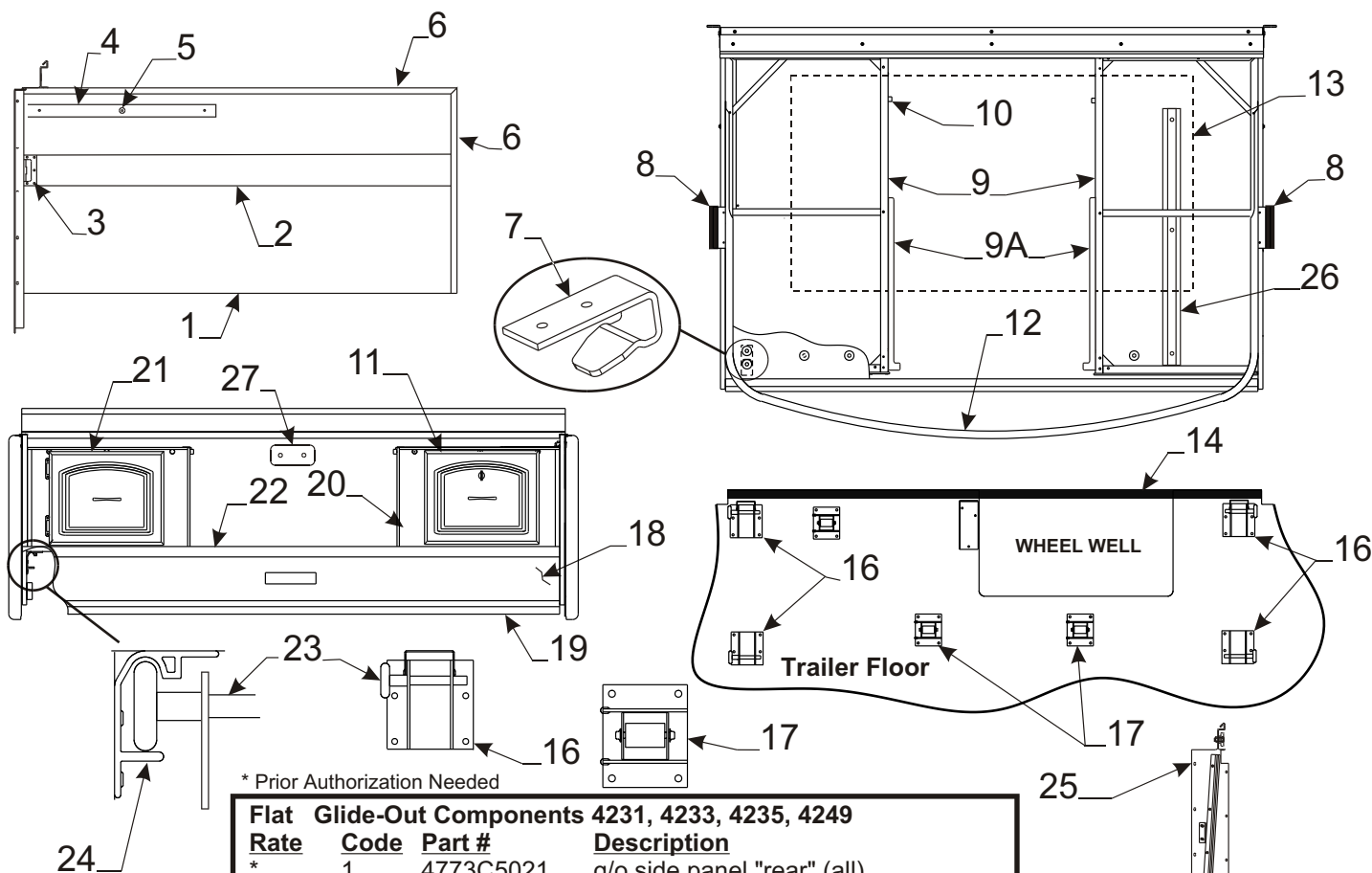


4716D0731 Roadside Trim Tape/Hardware Kit

\* Add .50 For Heater Vent |1.00 For Refrigerator |.50 For Hot Water Heater

**Roadside Left Body Panel & Components**

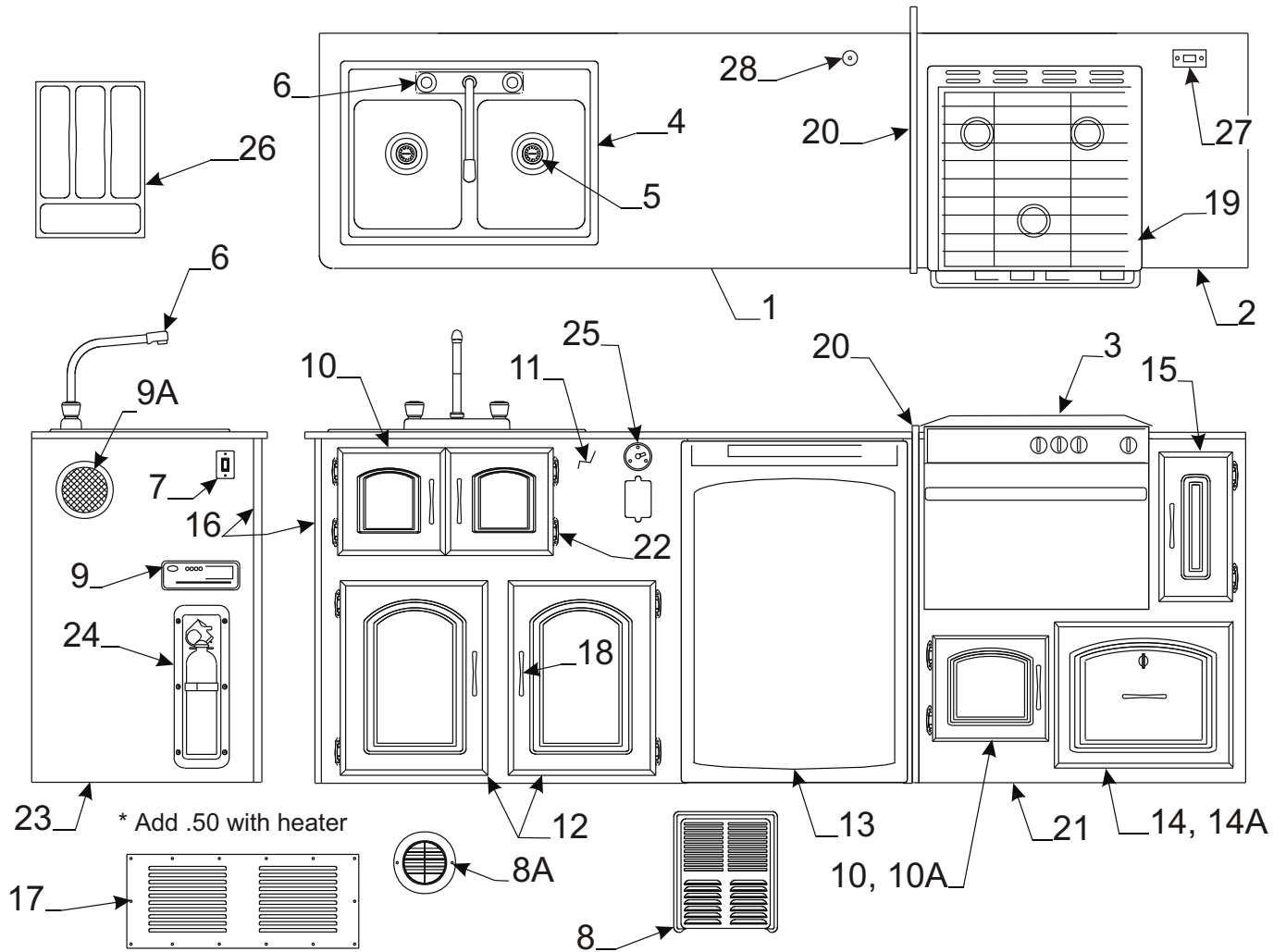
| FR   | Code | Part #      | Description                 | FR   | Code | Part #      | Description                  |
|------|------|-------------|-----------------------------|------|------|-------------|------------------------------|
| 1.50 | 1    | 4772L8101   | rsf body pnl. 4231, 4233    | .15  | 8    | 4714J08481  | amber marker light           |
| 1.50 |      | 4773B4141   | rsf body pnl. 4235 Saratoga | .10  |      | 4716A4571   | amber lens (lens only)       |
| 1.50 |      | 4773D2691   | rsf body pnl. 4249 Avalon   | .15  | 8A   | 4714J08581  | red marker light             |
| 1.50 |      | 4773B8161   | rsf body pnl. 4215 Tacoma   | .10  |      | 4716A4561   | red lens (lens only)         |
| 1.00 | 1A   | 4772B8091   | rsf body rail 4231, 4233    | .25  | 9    | 4757A4871   | coax outlet                  |
| 1.00 |      | 4773A4151   | rsf body rail 4235 Saratoga | .50  | 10   | 4747D8341   | reefer vent & trim x2        |
| 1.00 |      | 4773A2701   | rsf body rail 4249 Avalon   | .10  |      | 4716-4441   | reefer vent clasp m4         |
| 1.00 |      | 4773B8191   | rs body rail 4215 Tacoma    | .25  | 11   | 4750C5861   | o/s shower complete          |
| 1.00 | 2    | 4772D6981   | g/o body pnl. 4231, 4233    |      |      | 4716-7511   | key Ch751 m2                 |
| 1.00 |      | 4773A7521   | g/o body pnl. 4235 Saratoga | .15  |      | 4750A2961   | lock assy. w/key             |
| 1.00 |      | 4773A6301   | g/o body pnl. 4249 Avalon   | .30  | 12   | 4731D1711   | water tank spout             |
| .75  | 2A   | 4756A9951   | g/o body rail 4231, 33, 35  |      |      | 4741-3508   | hex head tek screw x3        |
| .75  |      | 4773-1961   | g/o body rail 4249 Avalon   | .30  | 13   | 4732F1521   | city fill                    |
| 1.50 | 3    | 4772K8061   | rsr body pnl. 4232, 33, 35  | .25  | 14   | 4772-9401   | wheel well trim              |
| 1.50 |      | 4773A4161   | rsr body pnl. 4235 Saratoga | .25  |      | 4773-1931   | wheel well trim - Avalon     |
| 1.50 |      | 4773C2631   | rsr body pnl. 4249 Avalon   |      |      | 4739F2901   | chrome snap cap m12          |
| 1.50 |      | 4773-8181   | rsr body pnl. 4215 Tacoma   | .25  | 15   | 4716-1331   | water heater door            |
| 1.00 | 3A   | 4772F8051   | rsr body rail 4231, 4233    | .15  | 16   | 4733B23361  | cable hatch                  |
| 1.00 |      | 4773A4171   | rsr body rail 4235 Saratoga | .25  | 17   | 4772A8741   | angle seal "rear"            |
| 1.00 |      | 4773C2641   | rsr body rail 4249 Avalon   | .25  | 18   | 4772A8731   | angle seal "front"           |
| 1.00 |      | 4773-8191   | rs body rail 4215 Tacoma    |      |      | 4060000023P | d-seal pkg. "white" (5' pc.) |
| .10  |      | 4716-2771   | vel-stick body rail pkg.    | .20  | 19   | 4756-2651   | L- channel 48" pc            |
|      |      | 4757-0731   | wire grommet & nut          | 1.25 | 20   | 4773A503    | cover plate 4231, 4233       |
| .25  | 4    | 4734F4121   | lift trim/gasket pkg. m4    | 1.25 |      | 4773-753    | cover plate 4235 Saratoga    |
| .15  | 5    | 4716-7061   | miter cover pkg. m4         | 1.25 |      | 4773-639    | cover plate 4249 Avalon      |
| .15  |      | 4713-8331   | miter cover pkg.m4 -Tacoma  | .75  | 21   | 4755-4091   | latch & gasket               |
| .15  | 6    | 4741C6041   | top latch w/lock tab        | .75  | 22   | 4756-1181   | pull handle                  |
|      |      | 4767-1701   | 1 1/2" tek screw            |      |      | 4738-2608   | tek screw "black"            |
|      |      | 4749-4848   | top latch foam gasket       | .75  | 23   | 4756A4171   | strike w/screws              |
| .30  | 7    | 4772D3631   | corner trim                 |      |      | 4756-3251   | shim                         |
|      |      | 4733-4138   | tek screw x10               |      | 24   | 4714A2861   | drain cap & strap            |
|      |      | 4060400096F | vinyl screw cover (sold/ft) |      | 25   | 4773-8261   | vent cover - Tacoma          |
|      |      |             |                             |      | 26   | 4773-2681   | rsf storage door - Tacoma    |



\* Prior Authorization Needed

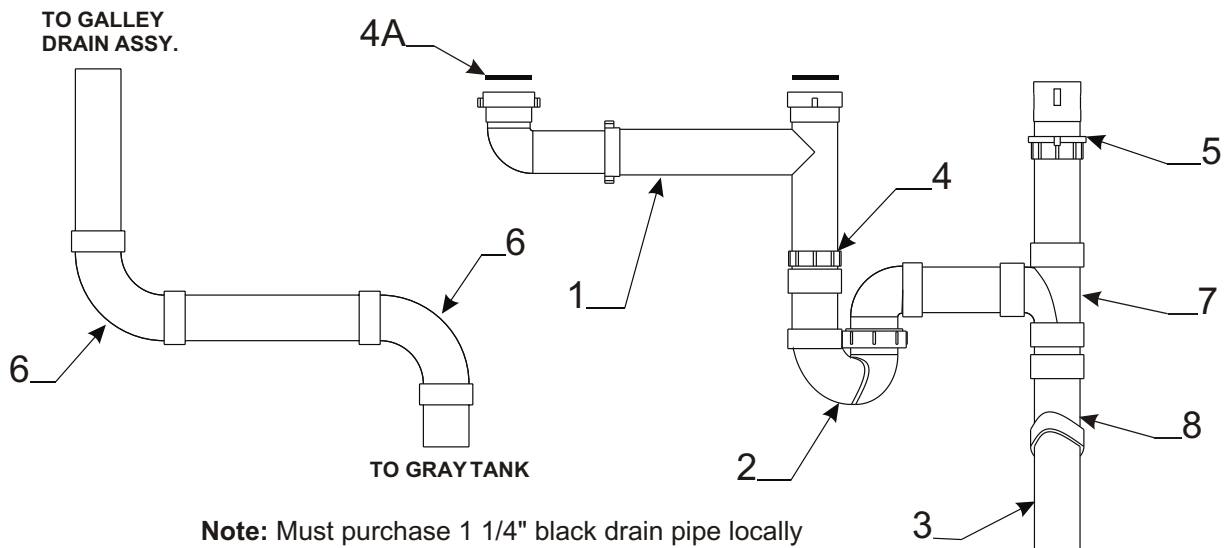
**Flat Glide-Out Components 4231, 4233, 4235, 4249**

| Rate | Code | Part #      | Description                         |
|------|------|-------------|-------------------------------------|
| *    | 1    | 4773C5021   | g/o side panel "rear" (all)         |
| *    |      | 4773C5011   | g/o side panel "front" (all)        |
| .50  | 2    | 4756-8471   | ABS ware strip x2                   |
| .15  | 3    | 4756-2171   | lock boot w/cover plate x2          |
| .25  | 4    | 4754-3811   | vel-stick (must cut to size)        |
|      | 5    | 4730A3548   | stud w/screw x2                     |
| .20  | 6    | 4756C1461   | 9/16" U-channel 48" pc.             |
|      | 7    | 4756-1201   | glide-out catch x2                  |
| .10  | 8    | 4756A1151   | 5 1/2" brush seal x2                |
|      | 9    | 4759B6021   | side glide-out bench frames x2      |
|      |      | 4773-634    | g/o center bench frame 4249 Avalon  |
|      | 9A   | 4773-3001   | cushion slide stop x2 4249 Avalon   |
|      | 10   | 4724-2608   | stop button "plastic"               |
| .15  | 11   | 4773-4251   | drawer front panel 12 1/4" x 16"    |
|      |      | 4773-7501   | drawer assy.                        |
| .10  | 12   | 4756C2071   | glide-out tent bow 4231, 4233, 4235 |
| .10  |      | 4773-2041   | glide-out tent bow 4249 Avalon      |
| 1.25 | 13   | 3568803202P | ware plate "galvanized" 30 x 55     |
| 1.25 | 14   | 4773A503    | cover plate 4233, 4235              |
| 1.25 |      | 4773-639    | cover plate 4249 Avalon             |
| .35  | 15   | 4772-8211   | seal track (frt. & rear)            |
|      |      | 4064700589P | sweep seal "black" (8' pc. pkg.)    |
|      | 16   | 4756C6591   | long tower x4                       |
|      | 17   | 4756-6651   | short tower roller assy. x3         |
| .25  | 18   | 4756E6041   | wood kick plate assy. 4231, 33, 35  |
| .25  |      | 4773-6381   | wood kick plate assy. 4249 Avalon   |
| .50  | 19   | 4773-2081   | floor sweep                         |
|      | 20   | 6010415696P | wood paneling 48" x 48"             |
|      | 21   | 4756C8921   | door panel 12 1/4" x 16"            |
| .50  | 22   | 4772-209    | edge cap 90" "brown"                |
|      | 23   | 4756-1161   | glide-out roller x4                 |
|      | 24   | 4756A1251   | glide-out roller track x2           |
| 1.65 | 25   | 4772B6801   | g/o bulkhead left front (all)       |
| 1.65 |      | 4772C6811   | g/o bulkhead left rear (all)        |
|      | 26   | 4773-4271   | drawer guide metal track 31"        |
|      | 27   | 4772-4561   | galley rest block "plastic"         |



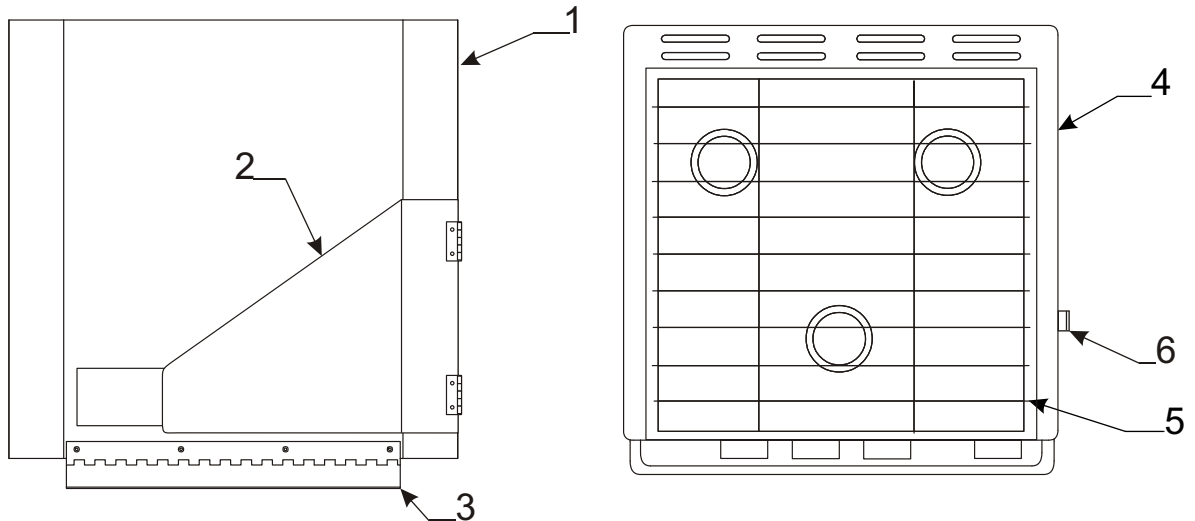
23 \* Add .50 with heater

| Typical Galley Components 4231, 4233, 4235, 4249, 4215 |     |           |                                  | FR  | Code | Part #      | Description                 |
|--|-----|-----------|----------------------------------|-----|------|-------------|-----------------------------|
| 1.00   | 1   | 4772E8291 | galley top (sink) 4231, 4233     | .15 | 13   | 4773-139    | refrigerator 4.2 cu. ft.    |
| 1.00   |     | 4773A3881 | galley top (sink/oven) 4235      | .10 | 14   | 4772C19961  | drw. frt. pnl. 14 3/4" x 18 |
| 1.00   |     | 4773B2951 | galley top (sink) 4249           | .15 |      | 4772D5811   | drawer assy.                |
| 1.00   |     | 4768-2311 | galley top (sink) 4215           | .15 | 14A  | 4756C8921   | door panel 12 1/4" x 16"    |
| 1.00   | 2   | 4772E8241 | galley top (oven) 4231, 4233     | .65 | 15   | 4767A8221   | door panel 14 1/4" x 7"     |
| 1.00   |     | 4773-2821 | galley top (oven) 4249           | .20 | 16   | 4060137505P | 3/8" f-channel 48" pc.      |
| 1.00   |     | 4768-2241 | galley top (oven) 4215           | .10 | 17   | 4773-3041   | return air vent - 4249      |
| .30  | 3   | 4772B5701 | oven/range cover assy.           | .05 | 18   | 4755B2681   | door pull                   |
| .80  | 4   | 4768-1851 | dual bowl sink (all except 4235) | .10 | 19   | 4716-2901   | 3 br. range/oven grate      |
| .80  |     | 4768-1831 | single bowl sink - 4235 only     | .50 | 20   | 4716A2911   | 3 br. range/oven cook top   |
| .25  | 5   | 4730E3151 | crumb cup & basket               | .50 | 20   | 4772F0561   | galley gazoodi 4231, 33, 15 |
| .05  |     | 4714C0661 | crumb cup                        | .20 | 21   | 4773C2831   | galley gazoodi 4249         |
| 1.00   | 6   | 4765B1941 | faucet (all except 4235)         | .20 | 21   | 4772D8231   | galley front rt. 4233       |
| 1.00   |     | 4745E2741 | faucet - 4235 only               | .20 |      | 4773A3741   | galley front rt. 4235       |
| .20  | 7   | 4733C4981 | rocker switch                    | .20 |      | 4773-2851   | galley front rt. 4249       |
| .10  | 8   | 4743-3551 | furnace grill 4231, 4233, 4215   | .10 |      | 4768-2231   | galley front rt. 4215       |
| .15  | 8A  | 4800-0601 | round heater vent 4249           | .75 | 22   | 4762-4878   | hinge                       |
| .50  | 9   | 4765C1121 | cd radio                         | .75 | 23   | 4773-1481   | galley side 4231 Arcadia    |
| .50  |     | 4765A1141 | wire antenna w/plug              | .75 |      | 4772C8281   | galley side 4233 Niagara    |
| .15  | 9A  | 4765-1131 | speaker                          | .75 |      | 4773-3781   | galley side 4235 Saratoga   |
| .15  |     | 4733-6391 | latch & strike pkg.              | .75 |      | 4773-2941   | galley side 4249 Avalon     |
| .15  | 10  | 4772B1161 | door panel 10 1/4" x 10 1/4"     | .15 |      | 4768A2301   | galley side 4215 Tacoma     |
| .15  | 10A | 4772B1231 | door panel 9" x 12" - Tacoma     |     | 24   | 4737B4198   | recessed mount              |
| *1.00  | 11  | 4773-1491 | galley front lt. 4231            | .10 |      | 4738-3088   | screw x6                    |
| *1.00  |     | 4772D8271 | galley front lt. 4233            | .05 |      | 4737A5558   | fire extinguisher           |
| 1.00   |     | 4773-3731 | galley front lt. 4235            | .25 | 25   | 4716-1191   | fire extinguisher strap m2  |
| *1.00  |     | 4773A2931 | galley front lt. 4249            | .05 | 25   | 4757A4871   | coax out-let                |
| 1.00   |     | 4768A2321 | galley front lt. 4215            | .20 | 26   | 4755-4481   | cutlery tray (plastic)      |
| .15  | 12  | 4772B1181 | door panel 14" x 18 1/2"         | .20 | 27   | 4768-2251   | kill switch - 4215 Tacoma   |
| .15  |     | 4756C8921 | dr panel 12 1/4" x 16" - 4249    | .20 |      | 4773-8421   | kill switch box 4215 Tacoma |
| .20  |     | 4755-4471 | spice rack                       | .10 | 28   | 4765-084    | screw x2                    |
|  |     |           |                                  |     |      | 4768-2261   | rubber bumper - Tacoma      |

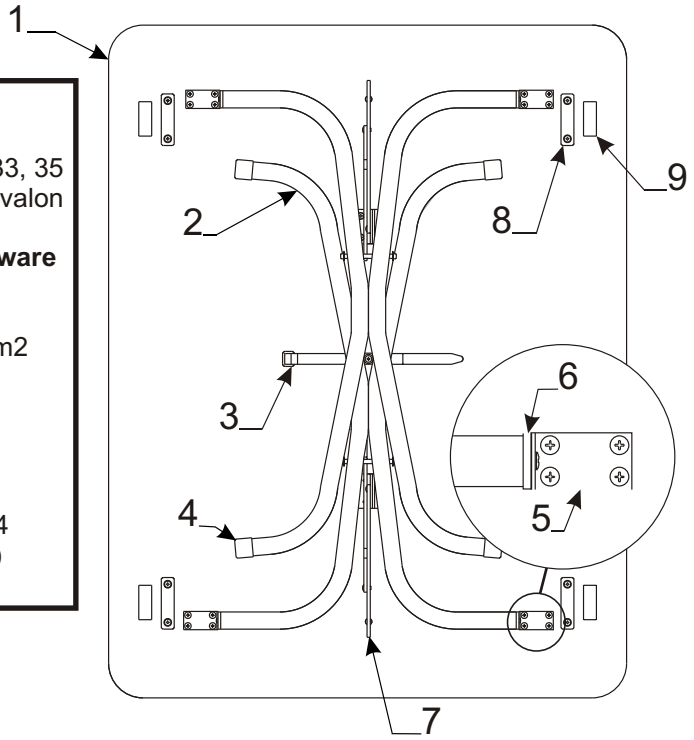


| Galley Drain Components |      |           |                               |
|-------------------------|------|-----------|-------------------------------|
| FR                      | Code | Part #    | Description                   |
| .40                     | 1    | 4765A3661 | dual sink drain               |
| .40                     | 2    | 4752-3621 | p-trap w/union joint          |
| .75                     | 3    | 4757B7201 | drain assy. - Niagara, Tacoma |
| .75                     |      | 4773A3841 | drain assy. - Saratoga        |
| .75                     |      | 4773B6841 | drain assy. - Avalon          |
| .40                     | 4    | 4758-1391 | trap adapter                  |
| .40                     | 4A   | 4757-9131 | rubber washer                 |
| .40                     | 5    | 4765-3531 | vent                          |
| .40                     | 6    | 4765-3591 | 90° elbow                     |
|                         | 7    | 4757X930  | baffled tee                   |
|                         | 8    | 4765-3561 | 45° elbow                     |

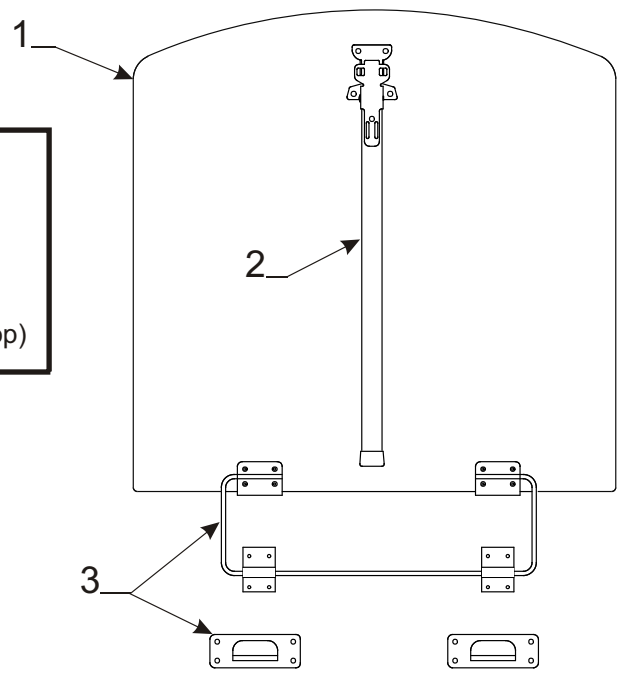
| Flat Oven/Range Components |      |           |                           |
|----------------------------|------|-----------|---------------------------|
| Flat Rate                  | Code | Part #    | Description               |
| .30                        | 1    | 4772B5701 | oven/range cover assy.    |
| .15                        | 2    | 4773-4681 | stove fin x1              |
| .25                        |      | 4741A4401 | stove fin hinge x2        |
|                            |      | 4734J1861 | rivet "black" m25         |
|                            | 3    | 4772A397  | cover hinge               |
| .10                        | 4    | 4716A2911 | 3 br. range/oven cook top |
| .05                        | 5    | 4716-2901 | 3 br. range/oven grate    |
| .15                        | 6    | 4716A2641 | stove fin stay brkt. m2   |



| Flat Rate  | Code | Part #     | Description                      |
|--|------|------------|----------------------------------|
| .50  | 1    | 4759B4361  | table top 39" x 30" 4231, 33, 35 |
| .50  |      | 4773-2811  | table top 48" x 30" 4249 Avalon  |
| .50  | 2    | 4745K5271  | table leg package                |
| <b>Note: pkg. includes 2 legs &amp; required mounting hardware</b> |      |            |                                  |
| .10  | 3    | 4751A9711  | strap & screw pkg.               |
|  | 4    | 4752-0551  | white plastic cap m2             |
| .15  | 5    | 4720H1211  | table leg mounting brace m2      |
|  |      | 1103E1018  | 5/8" wood screw                  |
| .10  | 6    | 4752A0561  | table leg insert cap m2          |
|  |      | 4747-2558  | expansion rivet m25              |
| .25  | 7    | 4744-6971  | lock brace assy. x2              |
|  |      | 1103E1018  | 5/8" wood screw                  |
| .15  | 8    | 4756-8741  | table top plastic spacer m4      |
|  |      | 1103B08148 | 7/8" screw (x2 per spacer)       |
| .05  | 9    | 4724D2631  | velcro fastener m4               |

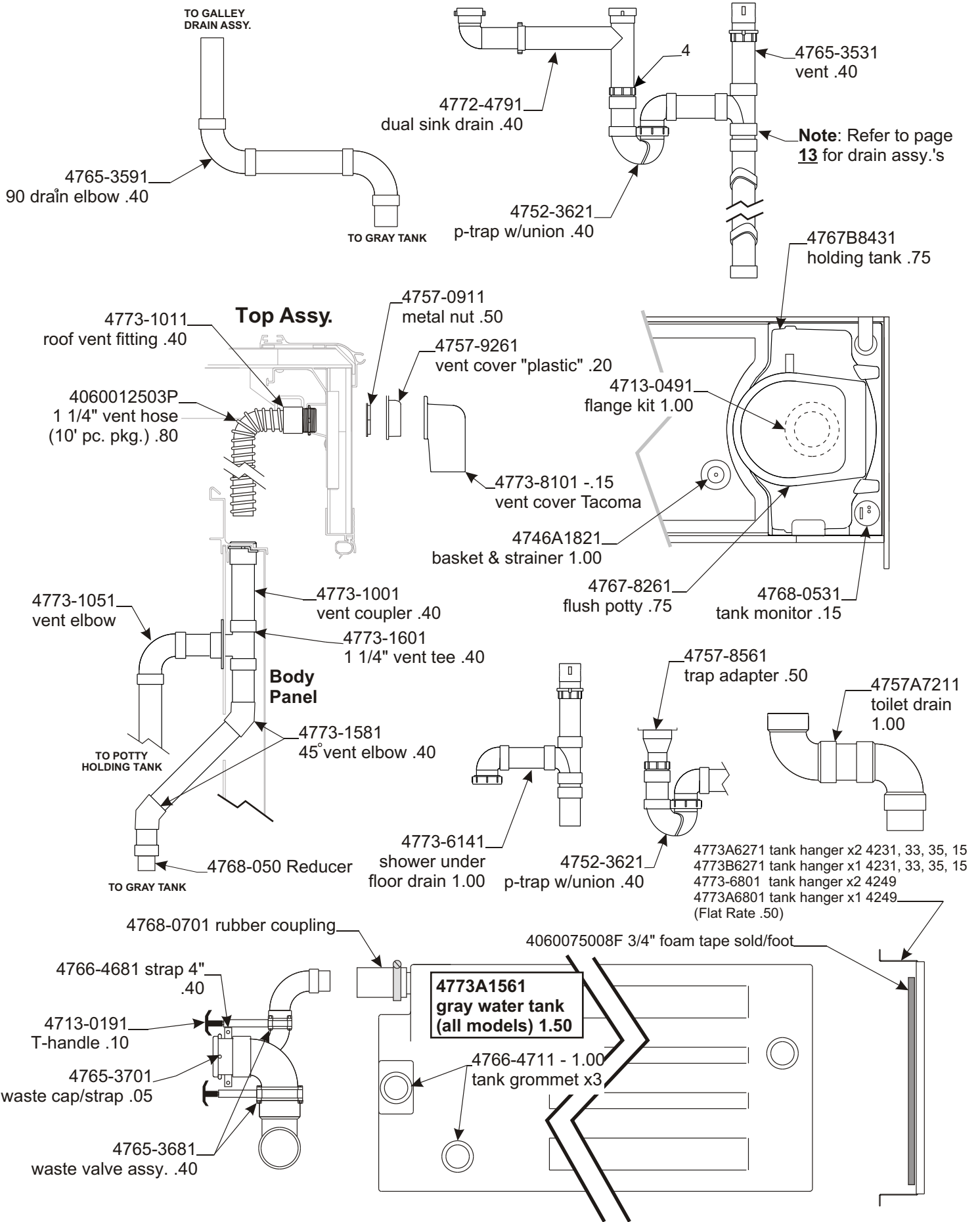


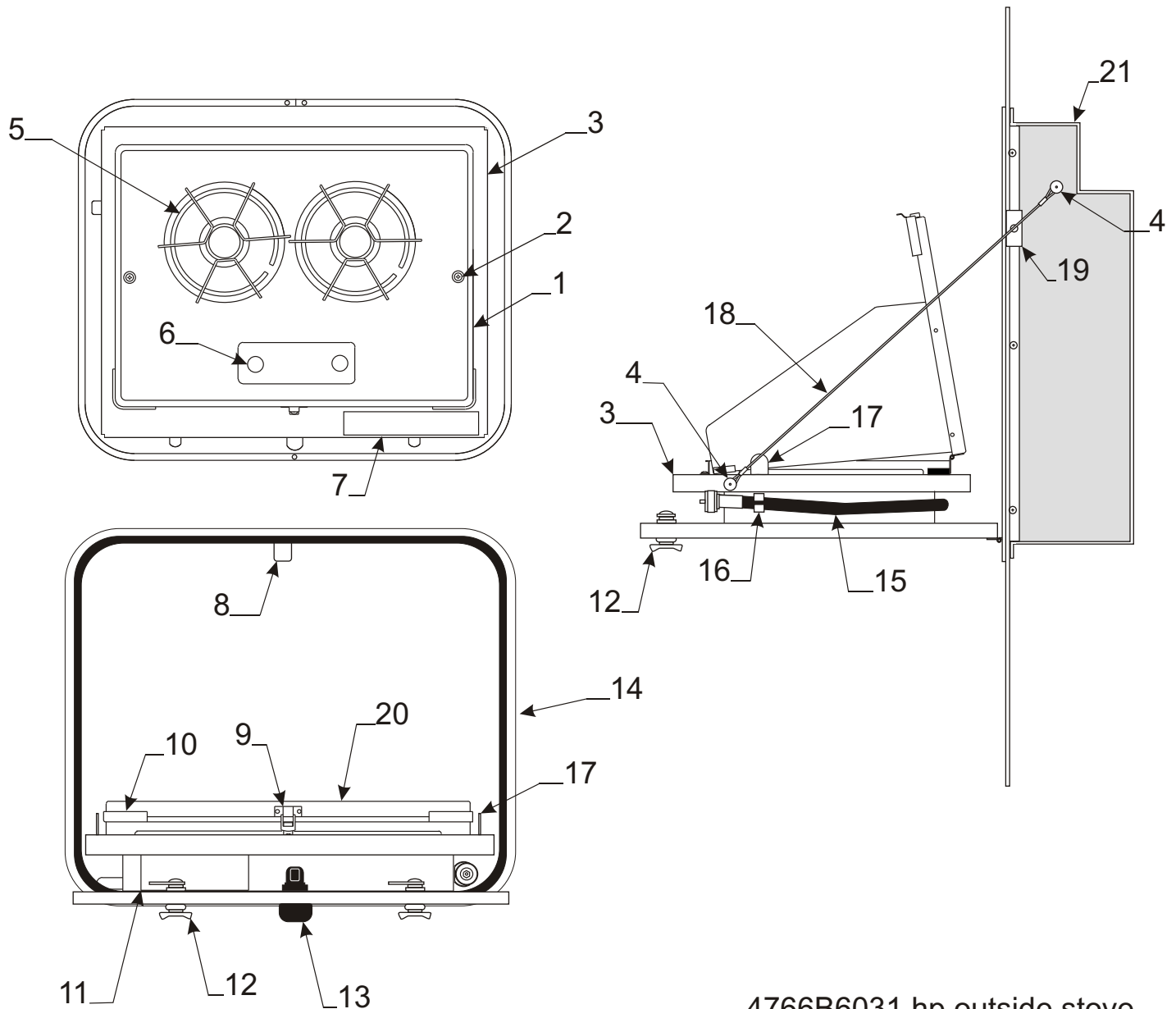
| FR  | Code | Part #    | Description                        |
|-----|------|-----------|------------------------------------|
| .50 | 1    | 4773A4851 | table top 34" x 29"                |
| .50 | 2    | 4762-1691 | table leg                          |
|     |      | 4737-8488 | screw x4                           |
| .15 | 3    | 4773-8241 | table lift assy.                   |
|     |      | 4737-8488 | screw x8 (affix lift brkt. to top) |





**Note:** Must purchase 1 1/4" black or white drain pipe locally

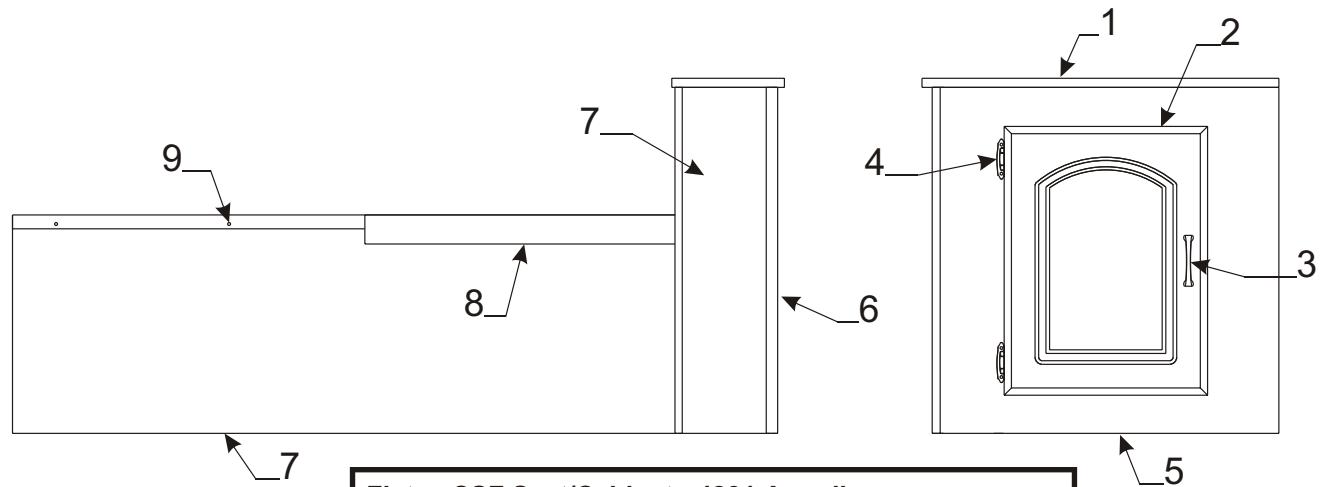
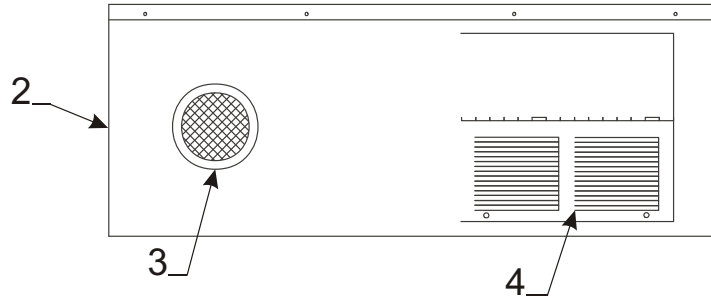
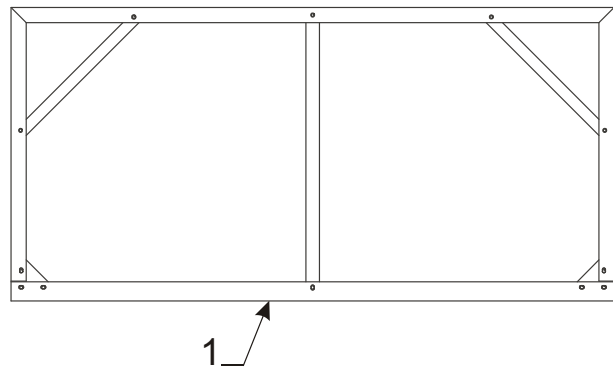




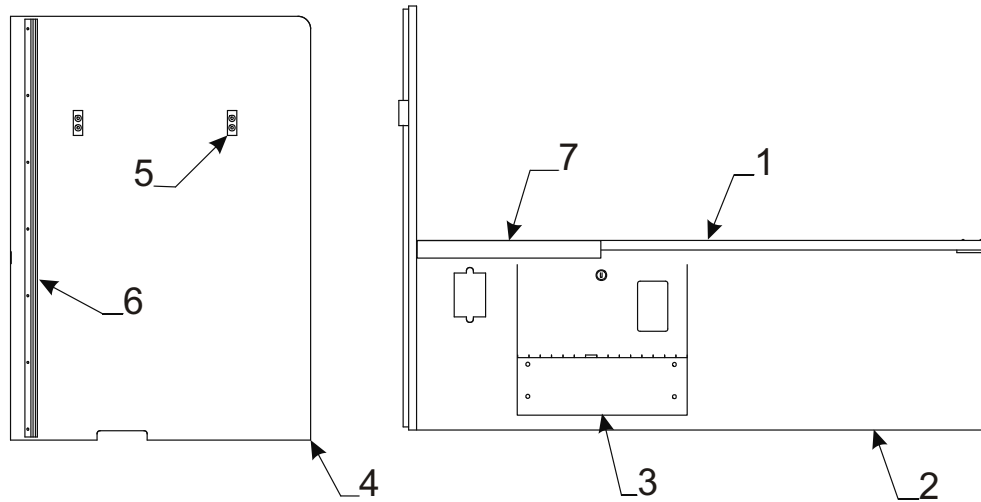
4766B6031 hp outside stove

| Flat Rate | Code | Part #    | Description                 | Flat Rate | Code | Part #    | Description                       |
|-----------|------|-----------|-----------------------------|-----------|------|-----------|-----------------------------------|
| .15       | 1    | 4746B9491 | stove cook top "white"      | .05       | 10   | 4732A2291 | edge molding m2                   |
| .15       |      | 4713-0671 | stove cook top "black"      | .75       | 11   | 4746C9481 | h.p. stove box (Vitco)            |
| .05       | 2    | 4716A2631 | screw/washer m2 (Vitco)     | .75       |      | 4713-0691 | h.p. stove box (Atwood)           |
| .05       |      | 4716A0881 | screw/washer m2 (Atwood)    | .15       | 12   | 4765-9981 | thumb turn w/o-ring x2            |
| .60       | 3    | 4766-8691 | stove counter top "white"   | .20       | 13   | 4766-8661 | keyed latch                       |
| .60       |      | 4766D8691 | stove counter top "black"   | .50       | 14   | 4766A8171 | stove door & frame "less latches" |
|           | 4    | 4744D3301 | rivet m25                   | .25       | 15   | 4746B9891 | h.p. gas hose 42"                 |
|           |      | 4758-8001 | rivet "black" m25           | .15       | 16   | 4734-2431 | gripper clip m4                   |
| .05       | 5    | 4752A9881 | grate x2                    | .15       | 17   | 4716-2641 | fin stay brkt. M2 (white)         |
| .15       | 6    | 4716-2681 | h.p. stove knob (Vitco)     | .15       |      | 4716A2641 | fin stay brkt. M2 (black)         |
| .15       |      | 4713-0681 | h.p. stove knob m2 (Atwood) | .15       | 18   | 4766-6041 | cable w/rivets 19 1/2"            |
| .15       | 7    | 4742-9538 | h.p. Decal                  | .15       | 19   | 4754A8491 | nylon block                       |
| .20       | 8    | 4766-8651 | door strike                 | .15       | 20   | 4749F6601 | stove cover "white" (Vitco)       |
| .15       | 9    | 4733-4018 | latch                       | .15       | 20   | 4713-0711 | stove cover "black" (Atwood)      |
| .15       |      | 4733-4028 | latch strike                | 1.00      | 21   | 4766A6011 | stove compartment box             |

| Rear Center Bench Components - 4235 Saratoga Flat |      |           |                   |
|---|------|-----------|-------------------|
| Rate  | Code | Part #    | Description       |
| .25   | 1    | 4773-7131 | seat bench frame  |
| .20   | 2    | 4773-3641 | bench front panel |
| .15   | 3    | 4765-1131 | speaker/grill     |
| 1.00  | 4    | 4772A2441 | 35 amp converter  |

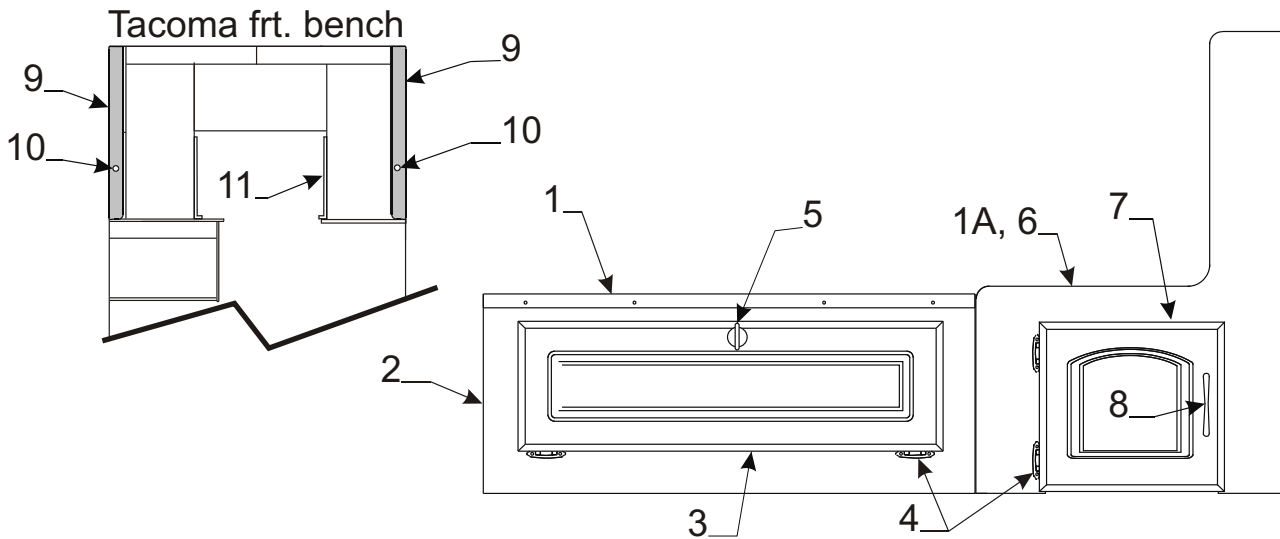


| CSF Seat/Cabinet - 4231 Arcadia |      |             |                            |
|---------------------------------|------|-------------|----------------------------|
| Flat Rate                       | Code | Part #      | Description                |
| .75                             | 1    | 4773A1421   | cabinet top                |
| .15                             | 2    | 4772B1181   | dr pnl 14" x 18 1/2"       |
| .10                             | 3    | 4755B2681   | door pull w/screws         |
| .10                             | 4    | 4762-4878   | hinge                      |
| 1.00                            | 5    | 4773-1441   | cabinet front              |
| .65                             | 6    | 4060137505P | 3/8" f-channel (48" pc.)   |
| .50                             | 7    | 6010415696P | wood grain panel 48" x 48" |
| .50                             | 8    | 4752E4731   | table rest                 |
| .25                             | 9    | 4772B6861   | seat frame assy.           |



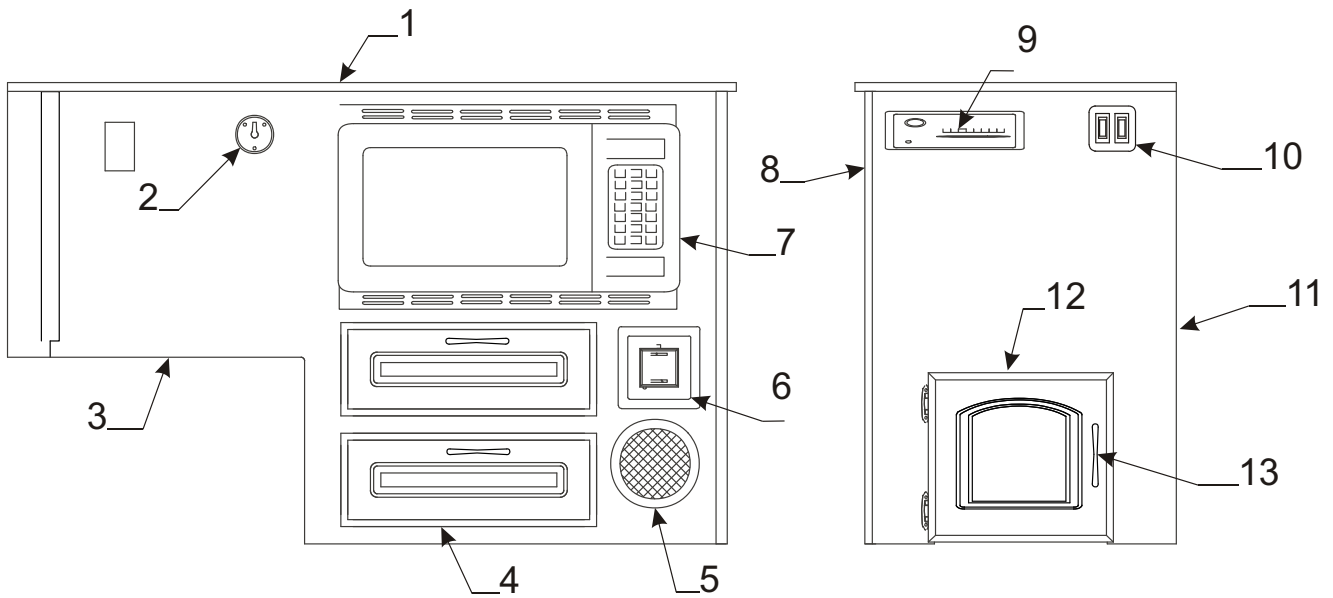
**Roadside Front/Rear Bench - 4231, 4233, 4235, 4215**

| FR   | Code | Part #      | Description                | FR  | Code | Part #      | Description              |
|------|------|-------------|----------------------------|-----|------|-------------|--------------------------|
| .25  | 1    | 4772B6861   | rsf seat frame assy. 4231  | .75 | 4    | 4772B8411   | bench end 4231, 4233     |
| .25  |      | 4772C6861   | rsf seat frame assy. 4233  | .75 |      | 4773A3581   | bench end 4235 Saratoga  |
| .25  |      | 4773-7111   | rsr seat frame assy. 4235  | .75 |      | 4769-2621   | bench end 4215 Tacoma    |
| .25  |      | 4768-727    | rsf seat frame assy. 4215  | .30 |      | 4060400093P | t-molding (12' pc. pkg.) |
| .50  | 2    | 6010415696P | wood grain panel 48" x 48" | .50 | 5    | 4755B8201   | nylon block              |
| .20  |      | 4773-361    | bench front 4235 Saratoga  | .50 | 6    | 4772-8471   | vertical seal extrusion  |
| .20  |      | 4768-217T   | bench front 4215 Tacoma    | .25 |      | 4064700589P | sweep seal (8' pc. pkg.) |
| 1.00 | 3    | 4772A2441   | converter 35 amp           | .50 | 7    | 4752E4731   | table rest 4231, 33, 35  |
|      |      |             |                            | .50 |      | 4773-3001   | cushion slide stop 4215  |



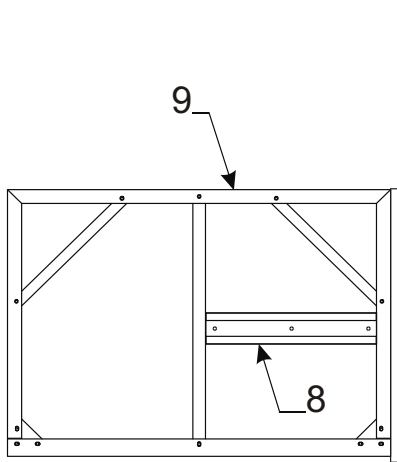
**Front Center Seat Bench - Arcadia, Niagara, Tacoma**

| FR  | Code | Part #     | Description                   | FR  | Code | Part #      | Description                   |
|-----|------|------------|-------------------------------|-----|------|-------------|-------------------------------|
| .25 | 1    | 4754A7951  | seat frame assy. Arcadia      | .15 | 5    | 4767-3601   | chrome thumb turn lock        |
| .25 |      | 4772B6881  | seat frame assy. Niagara      | .25 | 6    | 4768-2131   | seat end panel - Tacoma       |
| .25 |      | 4768-723   | seat frame assy. Tacoma       | .30 |      | 4060400093P | t-molding (12' pc. pkg.)      |
| .25 | 1A   | 4768-727   | csf seat frame assy. Tacoma   | .15 | 7    | 4756C8921   | dr pnl 12 1/4" x 18" - Tacoma |
| .20 | 2    | 4772D8461  | bench front (all)             | .10 | 8    | 4755B2681   | door pull w/screws            |
| .15 | 3    | 4757C85061 | dr pnl 30 1/4" x 9 1/4" (all) | .25 | 9    | 4768-2341   | bench top - Tacoma            |
| .10 | 4    | 4762-4878  | hinge                         | .10 | 10   | 4768-2261   | rubber bumper - Tacoma        |
|     |      |            |                               | .50 | 11   | 4773-3001   | cushion slide stop x2 - 4215  |

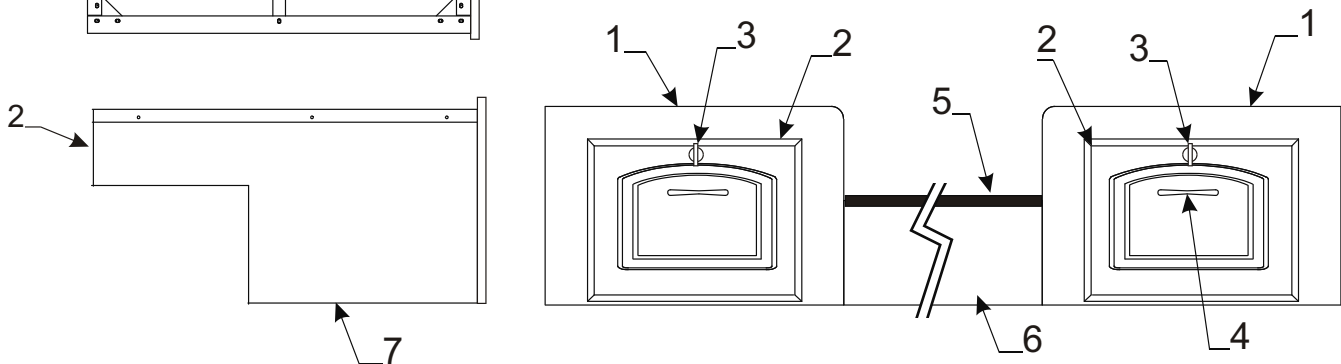


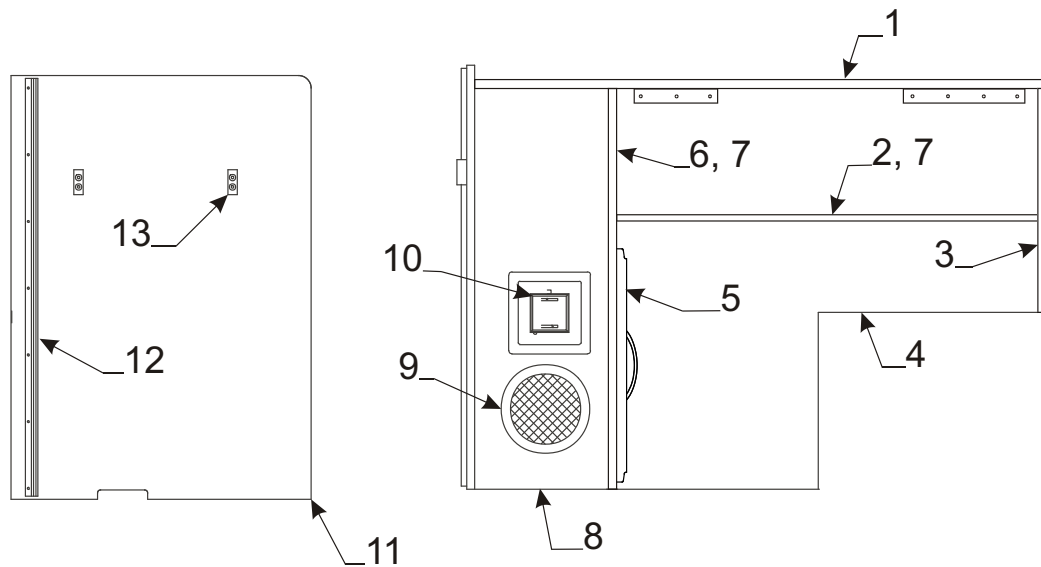
\* Warranted Through Vendor

| Flat Rate | Code | Part #    | Description                   | Flat Rate | Code | Part #      | Description               |
|-----------|------|-----------|-------------------------------|-----------|------|-------------|---------------------------|
| .75       | 1    | 4772C8311 | bench cabinet top             | .20       | 7    | 4773-0601   | microwave "Dometic"       |
| .25       | 2    | 4757A4871 | coax outlet                   |           |      | 4773-0681   | microwave trim kit        |
| 1.00      | 3    | 4772D8321 | cabinet front                 | .65       | 8    | 4060137505P | 3/8" f-channel (48" pc.)  |
| .15       | 4    | 4772B3521 | drawer front 6 3/4" x 18 3/4" | .50       | 9    | 4765C1121   | am/fm cd radio            |
| .10       |      | 4772B6401 | drawer assy.                  | .50       |      | 4765A1141   | wire antenna w/plug       |
| .15       | 5    | 4765-1131 | speaker/grill                 | .10       | 10   | 4765-1471   | switch                    |
| .50       | 6    | 4752A8461 | * thermostat                  | .50       | 11   | 4772C8331   | cabinet side              |
| .20       |      | 4756B8811 | plastic base & bracket        | .15       | 12   | 4757B4621   | dr. pnl 13 3/8" x 12 1/4" |
|           |      |           |                               | .10       |      | 4762-4878   | hinge                     |
|           |      |           |                               | .10       | 13   | 4755B2681   | door pull w/screws        |

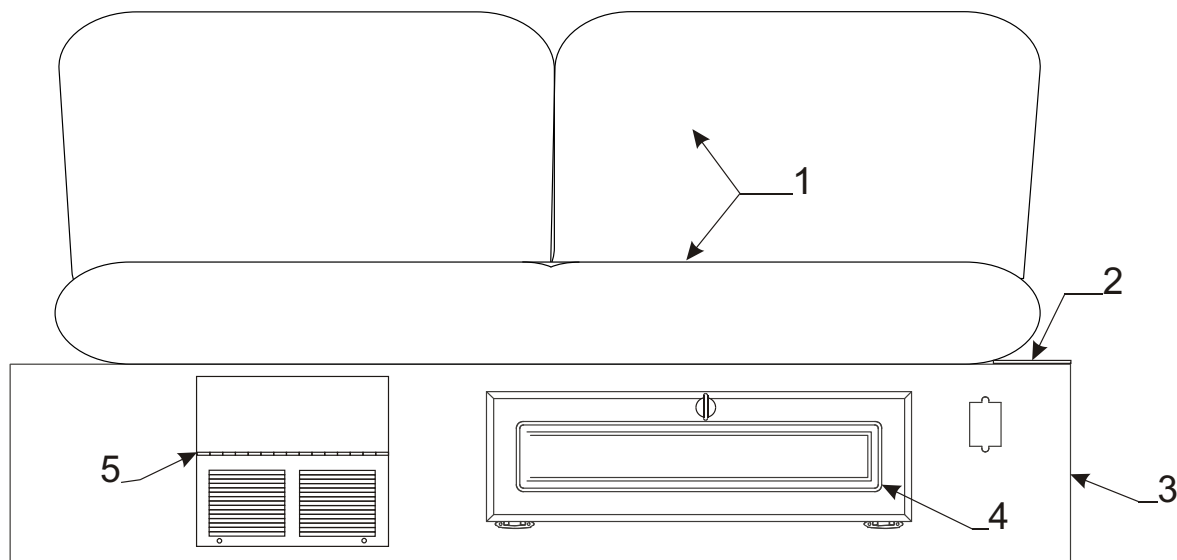


| FR  | Code | Part #      | Description                  |
|-----|------|-------------|------------------------------|
| .25 | 1    | 4768A2061   | seat end                     |
| .15 | 2    | 4773-4251   | drawer panel 12 1/4" x 16"   |
| .15 |      | 4769-8331   | rear drawer assy.            |
| .15 |      | 4769-8321   | front drawer assy.           |
| .15 | 3    | 4767-3601   | chrome thumb turn lock       |
| .10 | 4    | 4755B2681   | door pull w/screws           |
| .25 | 5    | 4768-239    | carpet 29" x 15"             |
| .25 | 6    | 4768-237    | wheel well cover frt. panel  |
| .50 | 7    | 6010415696P | wood paneling 48" x 48"      |
| .15 | 8    | 4757B8891   | 17" metal drawer guide track |
| .25 | 9    | 4768A722    | seat bench frame frt./rear   |

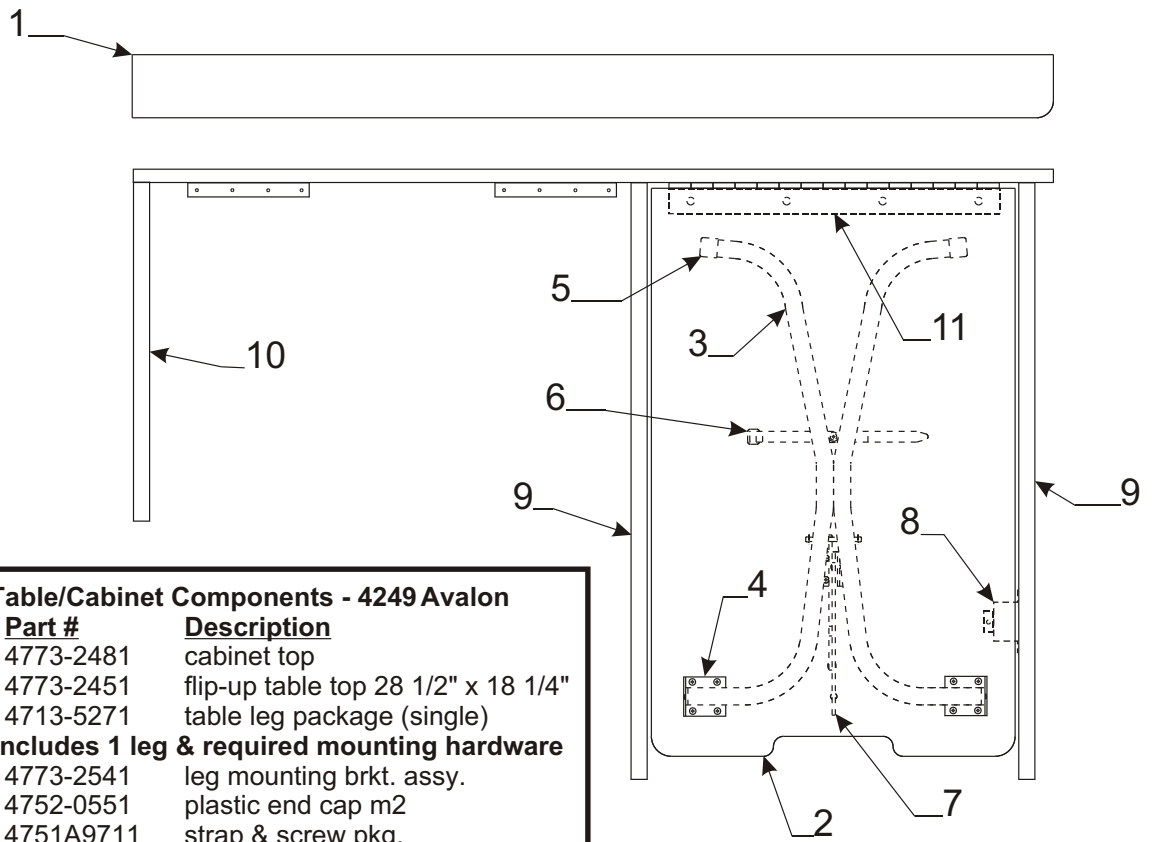




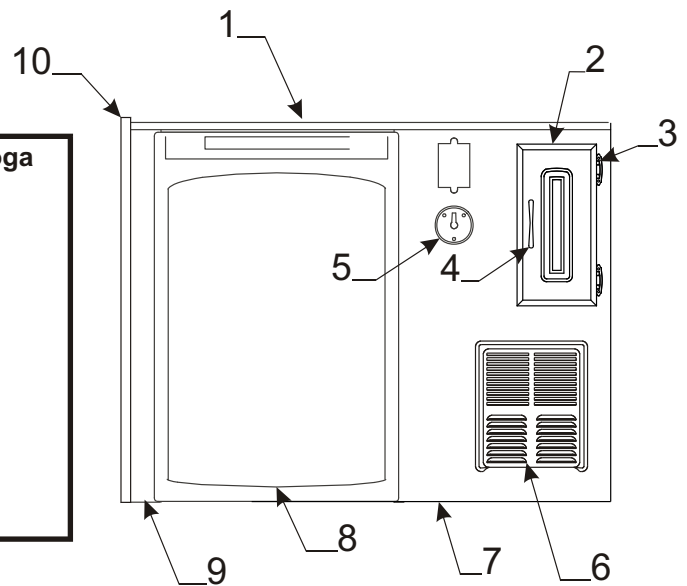
| Flat Rate | Code | Part #      | Description             | Flat Rate | Code | Part #      | Description              |
|-----------|------|-------------|-------------------------|-----------|------|-------------|--------------------------|
| .75       | 1    | 4773-2131   | rsf cabinet top         | .15       | 9    | 4765-1131   | speaker                  |
| 1.00      | 2    | 4773A217    | shelf                   | .50       | 10   | 4752A8461   | * thermostat             |
| .15       | 3    | 4773A227    | top rest                | .20       |      | 4756B8811   | plastic base & bracket"  |
| .50       | 4    | 4773A212    | shelf front             | .75       | 11   | 4773A2141   | gazoodi                  |
| .15       | 5    | 4767A8221   | door panel 7" x 14 1/4" | .30       |      | 4060400093P | t-molding (12' pc. pkg.) |
| .50       | 6    | 4773A216    | cabinet side            | .50       | 12   | 4772-8471   | vertical seal extrusion  |
| .35       | 7    | 4060115605P | f-channel 48" pc.       | .25       |      | 4064700589P | sweep seal (8' pc. pkg.) |
| .50       | 8    | 4773-215    | cabinet front           | .50       | 13   | 4755B8201   | nylon block              |



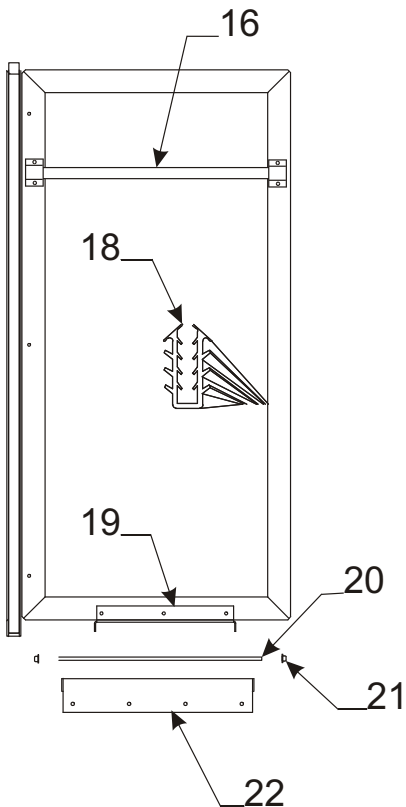
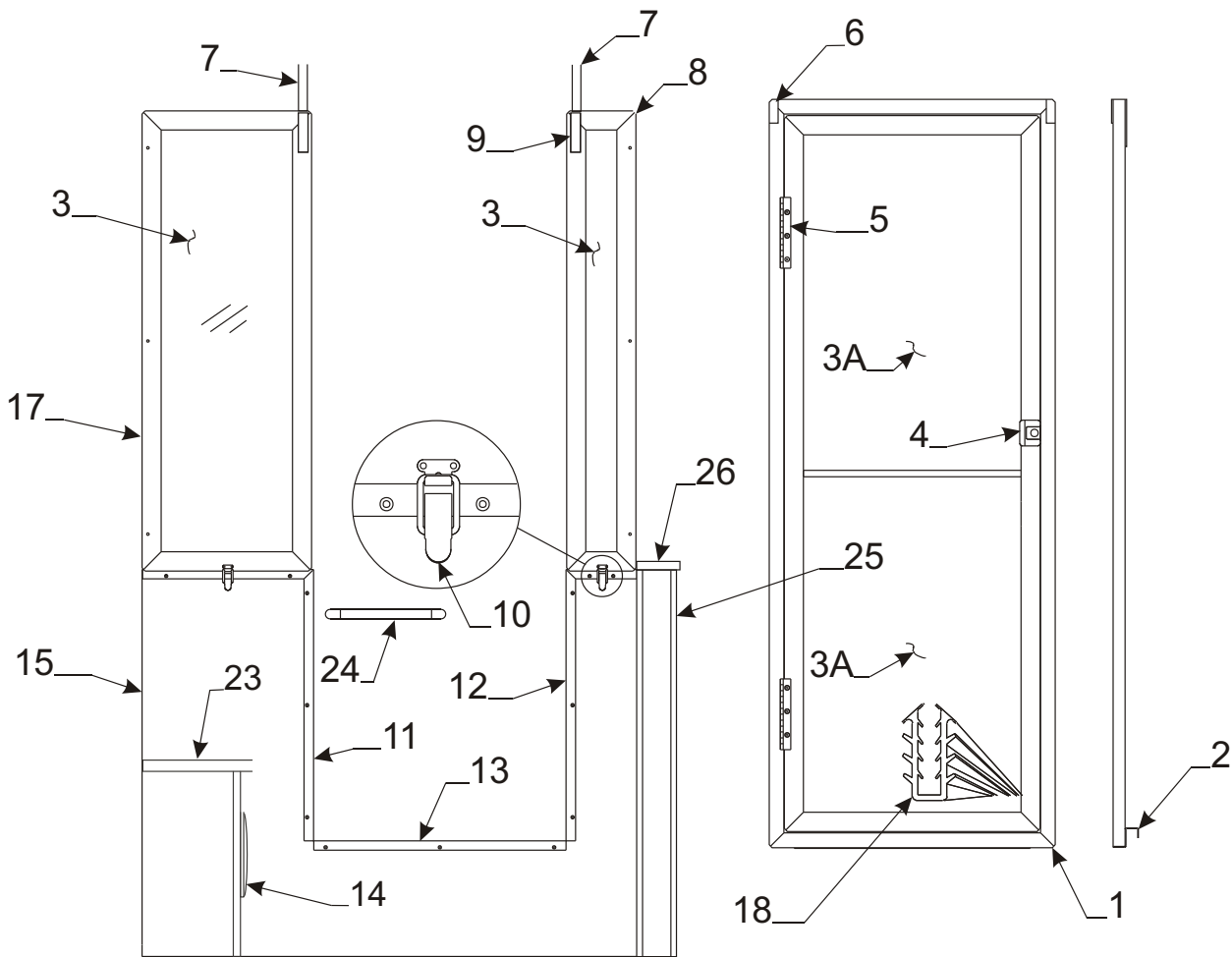
| Flat Rate | Code | Part #      | Description                 |
|-----------|------|-------------|-----------------------------|
| .25       | 1    | 4713C588B1  | sofa backrest recover       |
| .25       |      | 4713C588C1  | sofa cushion recover        |
| .50       |      | 4761C5881   | jackknife sofa assy.        |
| .50       | 2    | 6010415696P | wood grain panel 48" x 48"  |
| .50       | 3    | 4773A2411   | sofa base front             |
| .15       | 4    | 4757C85061  | door panel 30 1/4" x 9 1/4" |
| .10       |      | 4762-4878   | hinge                       |
| .15       |      | 4767-3601   | chrome thumb turn lock      |
| 1.00      | 5    | 4772A2441   | converter 35 amp            |



| CSF Flip-up Table/Cabinet Components - 4249 Avalon                |      |           |                                     |  |
|---|------|-----------|-------------------------------------|--|
| FR  | Code | Part #    | Description                         |  |
| .50   | 1    | 4773-2481 | cabinet top                         |  |
| .50   | 2    | 4773-2451 | flip-up table top 28 1/2" x 18 1/4" |  |
| .50   | 3    | 4713-5271 | table leg package (single)          |  |
| <b>Note: pkg. includes 1 leg &amp; required mounting hardware</b> |      |           |                                     |  |
| .15   | 4    | 4773-2541 | leg mounting brkt. assy.            |  |
| .10   | 5    | 4752-0551 | plastic end cap m2                  |  |
| .10   | 6    | 4751A9711 | strap & screw pkg.                  |  |
| .25   | 7    | 4744-6971 | leg lock brace assy.                |  |
| .15   | 8    | 4772B884  | hat bracket                         |  |
| .15   |      | 4733-6391 | latch & strike pkg.                 |  |
| .25   | 9    | 4773-2491 | cabinet side x2                     |  |
| .15   | 10   | 4773-250  | table cabinet support               |  |
| .15   | 11   | 4773-2531 | hinge                               |  |
|   |      | 4755-393  | screw x8                            |  |



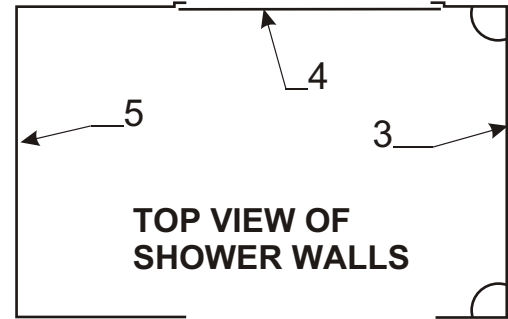
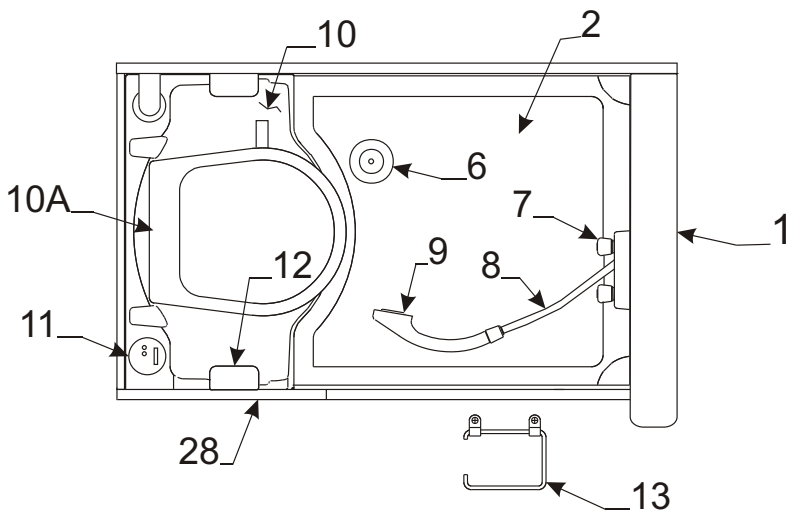
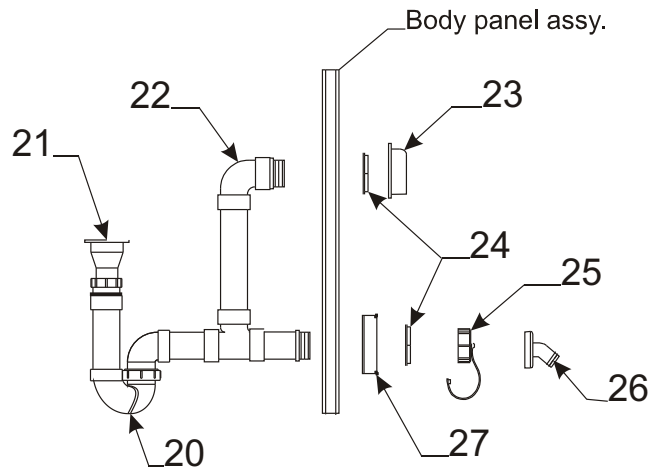
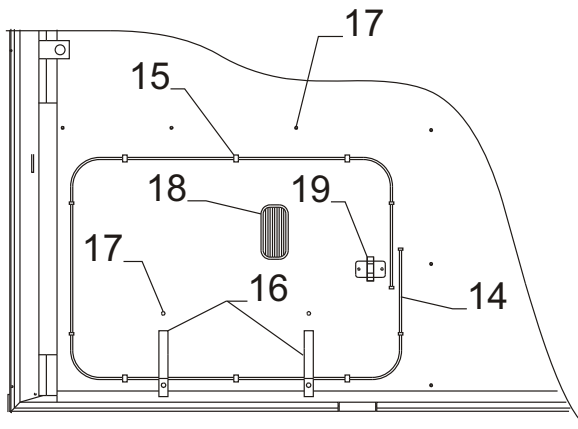
| Roadside Front Reefer Cabinet - 4235 Saratoga |      |             |                          |  |
|---|------|-------------|--------------------------|--|
| Flat Rate                                     | Code | Part #      | Description              |  |
| 1.00  | 1    | 4773-3571   | cabinet top              |  |
| .15   | 2    | 4767A8221   | door panel 7" x 14 1/4"  |  |
| .10   | 3    | 4762-4878   | hinge                    |  |
| .10   | 4    | 4755B2681   | door pull                |  |
| .25   | 5    | 4757A4871   | coax out-let             |  |
| .10   | 6    | 4743-3551   | furnace grill            |  |
| .20   | 7    | 4773-3551   | cabinet front rt.        |  |
| .75   | 8    | 4773-139    | refrigerator 4.2 cu. ft. |  |
| .50   |      | 6010415696P | reefer door insert panel |  |
| .20   | 9    | 4773-356    | cabinet front lt.        |  |
| .75   | 10   | 4773A3581   | cabinet gazoodi          |  |



#### Shower Stall Components - 4235 Saratoga

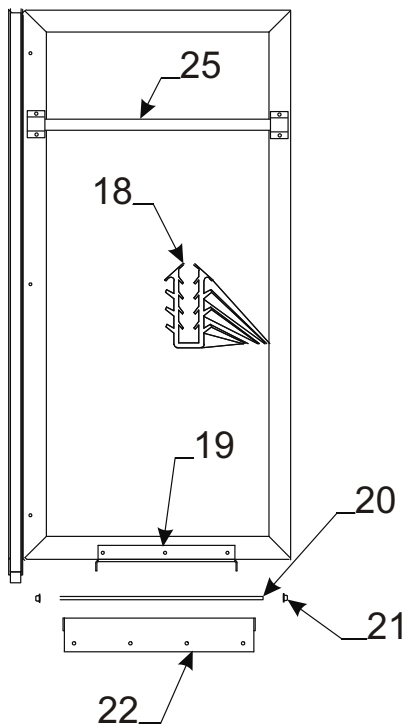
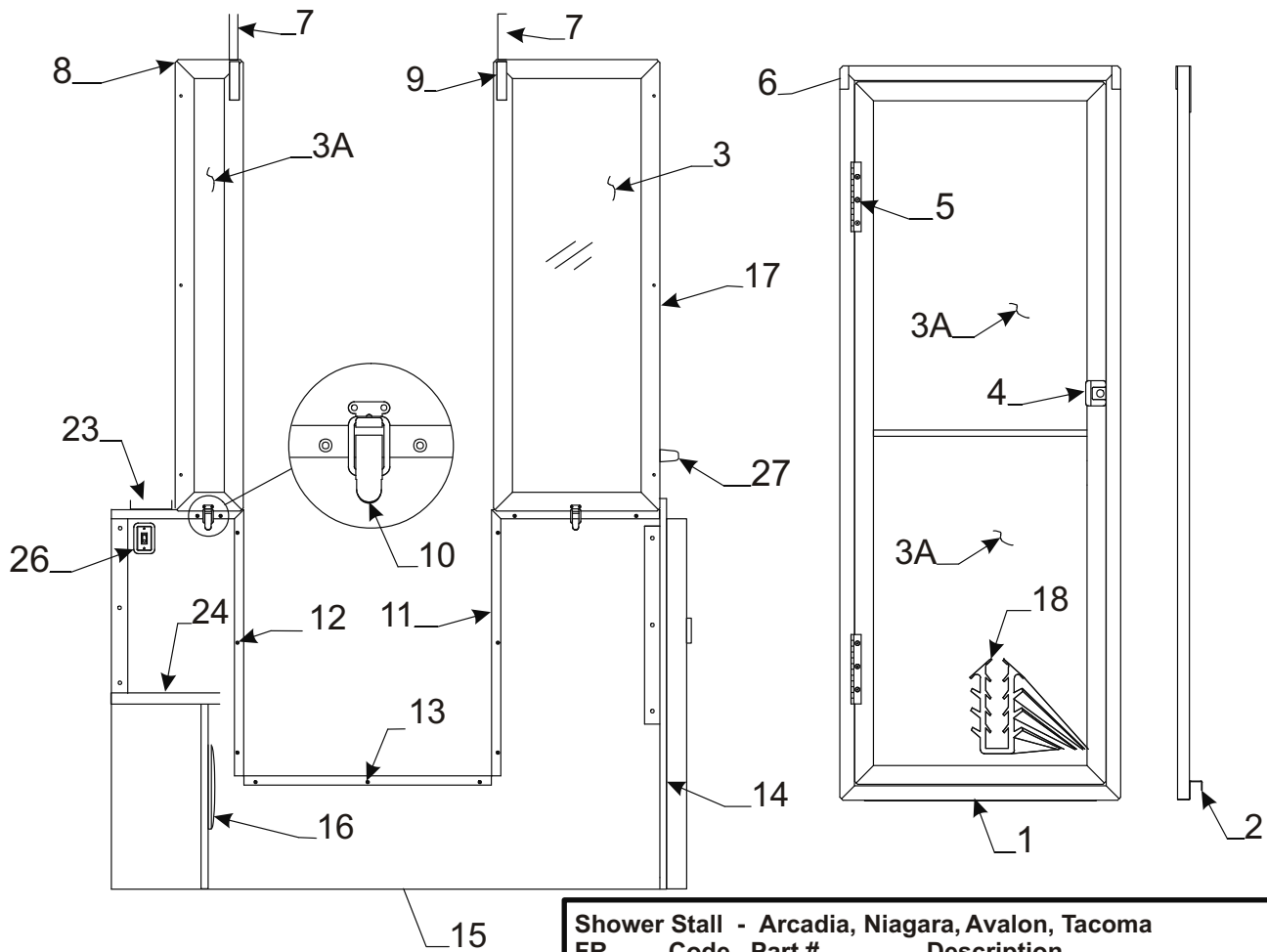
| FR   | Code | Part #      | Description                    |
|------|------|-------------|--------------------------------|
| .10  | 1    | 4772D6131   | shower door                    |
|      |      | 4772-9101   | vinyl end protector x2         |
| .15  | 2    | 4772C4311   | shower door stay brkt.         |
| .40  | 3    | 4772A9001   | mirror                         |
| .40  | 3A   | 4772-4461   | universal fiberglass panel     |
| .40  |      | 4772-8871   | universal exterior luan panel  |
| .15  | 4    | 4742-9671   | latch assy.                    |
| .15  | 5    | 4720C3601   | hinge x2                       |
|      |      | 4734K1861   | rivet m25                      |
|      | 6    | 4351400012F | grey velcro loop (sold/yd.)    |
| .10  | 7    | 4772-6641   | shower door strap assy. x2     |
| .25  | 8    | 4772D6061   | rt. shower wall assy.          |
|      | 9    | 4351400005F | gray velcro hook (sold/yd.)    |
| .15  | 10   | 4772-4261   | latch & strike                 |
| .10  | 11   | 4772F314    | shower wall cap lt.            |
| .10  | 12   | 4772D313    | shower wall cap rt.            |
| .10  | 13   | 4772E316    | threshold cap                  |
| .15  | 14   | 4765-1131   | speaker/grill                  |
| 2.00 | 15   | 4773-3691   | shower wall threshold          |
| .15  | 16   | 4765B1211   | towel bar                      |
| .25  | 17   | 4772D6051   | lt. shower wall assy.          |
|      | 18   | 4060000086F | rubber seal (sold/ft.)         |
| .20  | 19   | 4772B4441   | wall pivot brkt.               |
| .10  | 20   | 4772-4541   | pivot rod & pal nuts           |
|      | 21   | 1201B7071   | pal nut m6                     |
| .20  | 22   | 4772-4531   | shower wall pivot brkt. x2     |
| .40  | 23   | 4772C6971   | speaker cabinet. assy.         |
| .25  |      | 4773A039    | top carpet                     |
| .15  | 24   | 4765-0231   | grab handle "white"            |
|      | 25   | 4773-372    | 3/8" end panel 32.75" x 27.75" |
| .65  |      | 4060137505P | 3/8" f-channel 48"             |
| .50  | 26   | 4773-3701   | cabinet top                    |





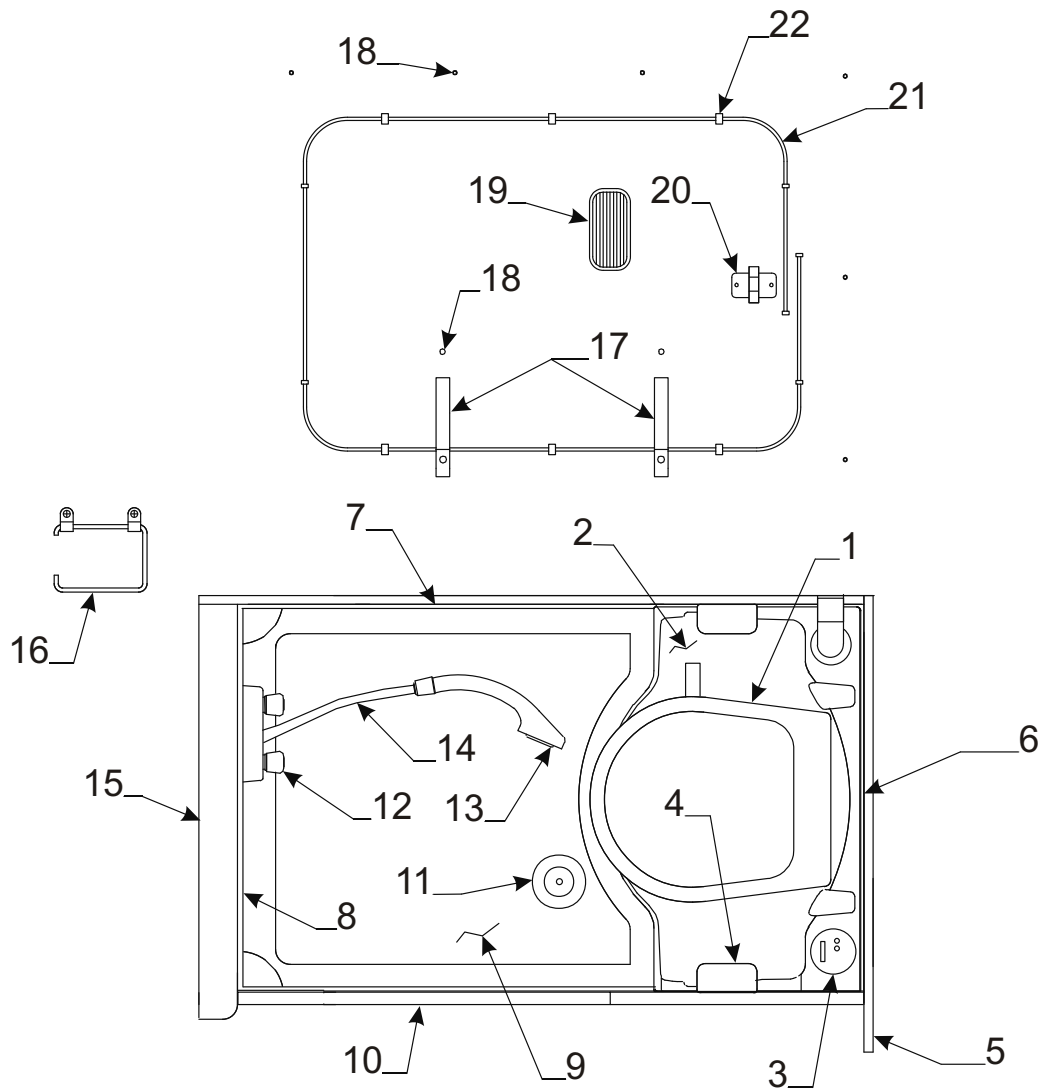
**CSF Shower Stall Components - 4235 Saratoga**

| FR   | Code | Part #    | Description           | FR   | Code | Part #    | Description               |
|------|------|-----------|-----------------------|------|------|-----------|---------------------------|
| .50  | 1    | 4773-3701 | cabinet top           | .10  | 14   | 4772A3871 | shower curtain i-beam     |
| 1.00 | 2    | 4767-8291 | shower pan            | .15  | 15   | 4739-1201 | i-beam mounting brkt. m12 |
| 1.00 | 3    | 4772A2961 | tub surround rt.      | 1.00 |      | 4753A9871 | rivet m25                 |
| 1.00 | 4    | 4772A2981 | tub surround center   | .15  | 16   | 4772-6631 | curtain strap             |
| 1.00 | 5    | 4773-3671 | tub surround lt.      | .05  | 17   | 4730A3548 | stud w/screw              |
| 1.00 | 6    | 4746A1821 | basket & strainer     | .25  | 18   | 4759-1721 | light                     |
| .50  | 7    | 4741B2071 | shower diverter       | .15  | 19   | 4767-0111 | shower head brkt.         |
| .20  | 8    | 4741B2051 | shower hose 72"       | .40  | 20   | 4757A7191 | tub drain trap assy.      |
| .10  |      | 4716-0848 | shower hose connector | .50  | 21   | 4757-8561 | drain plug adapter        |
| .15  | 9    | 4767-0101 | shower head w/bracket | 1.00 | 22   | 4772B6151 | tub drain vent            |
| .75  | 10   | 4767B8431 | holding tank 9.5 gal. | .20  | 23   | 4757-9261 | vent cover "plastic"      |
| .75  | 10A  | 4767-8261 | flush potty           | .50  | 24   | 4757-0921 | metal nut "white"         |
| .15  | 11   | 4768-0531 | tank monitor          | .10  | 25   | 4714A2861 | cap & strap               |
| .15  | 12   | 4772-4561 | wall rest block       |      | 26   | 4737-9138 | drain adapter             |
| .15  | 13   | 4756-9121 | TP holder             | .15  | 27   | 4772A4161 | hat section               |
|      |      | 4747-2531 | nylon clamps x2       | 2.00 | 28   | 4773-3691 | shower wall threshold     |



**Shower Stall - Arcadia, Niagara, Avalon, Tacoma**

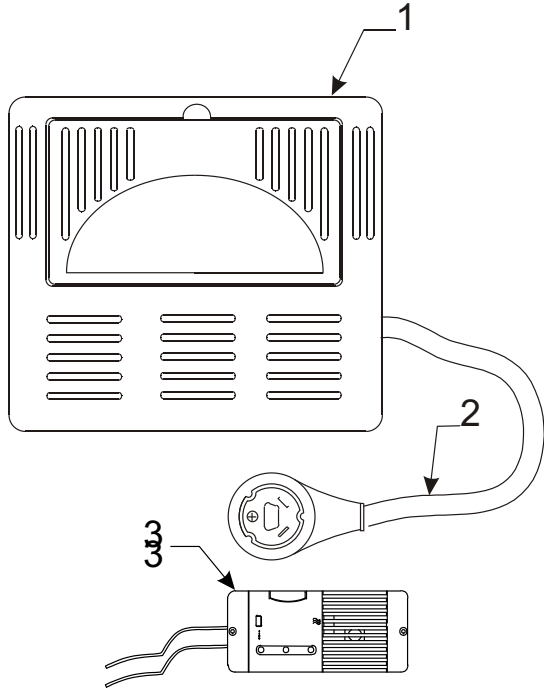
| FR   | Code | Part #      | Description                        |
|------|------|-------------|------------------------------------|
| .10  | 1    | 4772D6131   | shower door                        |
|      |      | 4772-9101   | vinyl end protector x2             |
| .15  | 2    | 4772C4311   | shower door stay brkt.             |
| .40  | 3    | 4772A9001   | mirror                             |
| .40  | 3A   | 4772-4461   | universal fiberglass panel         |
| .40  |      | 4772-8871   | 5/32" wood panel 18 3/8 x 57 5/8"  |
| .15  | 4    | 4742-9671   | latch assy.                        |
| .15  | 5    | 4720C3601   | hinge                              |
|      |      | 4734K1861   | rivet m25                          |
|      | 6    | 4351400012F | grey velcro loop (sold/yd.)        |
| .10  | 7    | 4772-6641   | shower door strap assy. x2         |
| .25  | 8    | 4772D6921   | rt. shower wall assy.              |
|      | 9    | 4351400005F | gray velcro hook (sold/yd.)        |
| .15  | 10   | 4772-4261   | latch & strike                     |
| .10  | 11   | 4772D851    | shower wall cap lt.                |
| .10  | 12   | 4772C850    | shower wall cap rt.                |
| .10  | 13   | 4772E316    | threshold cap                      |
| 1.50 | 14   | 4772C8521   | shower wall gazoodi                |
| 2.00 | 15   | 4772C8481   | shower wall threshold              |
| .15  | 16   | 4765-1131   | speaker/grill                      |
| .25  | 17   | 4772D6911   | lt. shower wall assy.              |
|      | 18   | 4060000086F | rubber seal (sold/ft.)             |
| .20  | 19   | 4772B4441   | wall pivot brkt.                   |
| .10  | 20   | 4772-4541   | pivot rod & pal nuts               |
|      | 21   | 1201B7071   | pal nut m6                         |
| .20  | 22   | 4772-4531   | shower wall pivot brkt. x2         |
| .50  | 23   | 4772B8541   | shower cabinet top                 |
| .40  | 24   | 4772C6971   | speaker cabinet. assy.             |
| .40  |      | 4768-719    | speaker cabinet. assy. Tacoma only |
| .25  |      | 4769-820    | top carpet                         |
| .15  | 25   | 4765B1211   | towel bar                          |
| .20  | 26   | 4733C4981   | rocker switch                      |
|      | 27   | 4768-2261   | rubber wall bumper - Tacoma        |
|      |      | 4733-420    | tek screw 1 1/2"                   |



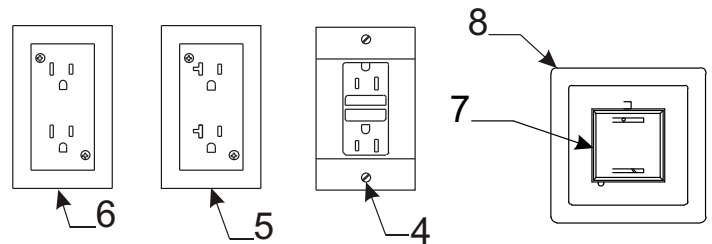
**Shower Stall Components - Arcadia, Niagara, Avalon, Tacoma**

| <u>FR</u> | <u>Code</u> | <u>Part #</u> | <u>Description</u>            | <u>FR</u> | <u>Code</u> | <u>Part #</u> | <u>Description</u>        |
|-----------|-------------|---------------|-------------------------------|-----------|-------------|---------------|---------------------------|
| .75       | 1           | 4767-8261     | flush potty                   | .50       | 12          | 4741B2071     | shower diverter           |
| .75       | 2           | 4767B8431     | holding tank 9.5 gal.         | .10       |             | 4716-0848     | shower hose connector     |
| 1.00      |             | 4713-0491     | flange kit                    | .15       | 13          | 4767-0101     | shower head w/bracket     |
| .15       | 3           | 4768-0531     | tank monitor                  | .20       | 14          | 4741B2051     | shower hose 72"           |
| .15       | 4           | 4772-4561     | wall rest block               | .50       | 15          | 4772B8541     | shower cabinet top        |
| 1.50      | 5           | 4772C8521     | shower wall gazoodi           | .15       | 16          | 4756-9121     | TP holder                 |
| .30       |             | 4060400093P   | t-molding pkg.                |           |             | 4747-2531     | nylon clamp m2            |
| 1.00      | 6           | 4772B4811     | tub surround frt. 4231,33,49  | .15       | 17          | 4772-6631     | curtain strap             |
| 1.00      |             | 4768-2331     | tub surround frt. (4215 only) | .05       | 18          | 4730A3548     | stud w/screw              |
| 1.00      | 7           | 4772A2981     | tub surround center           | .25       | 19          | 4759-1721     | light                     |
| 1.00      | 8           | 4772-4801     | tub surround rear             | .15       | 20          | 4767-0111     | shower head brkt.         |
| 1.00      | 9           | 4767-8291     | shower pan                    | .10       | 21          | 4772A3871     | shower curtain i-beam     |
| 2.00      | 10          | 4772C8481     | shower wall threshold         | .15       | 22          | 4739-1201     | i-beam mounting brkt. m12 |
| 1.00      | 11          | 4746A1821     | basket & strainer             |           |             | 4753A9871     | rivet m25                 |

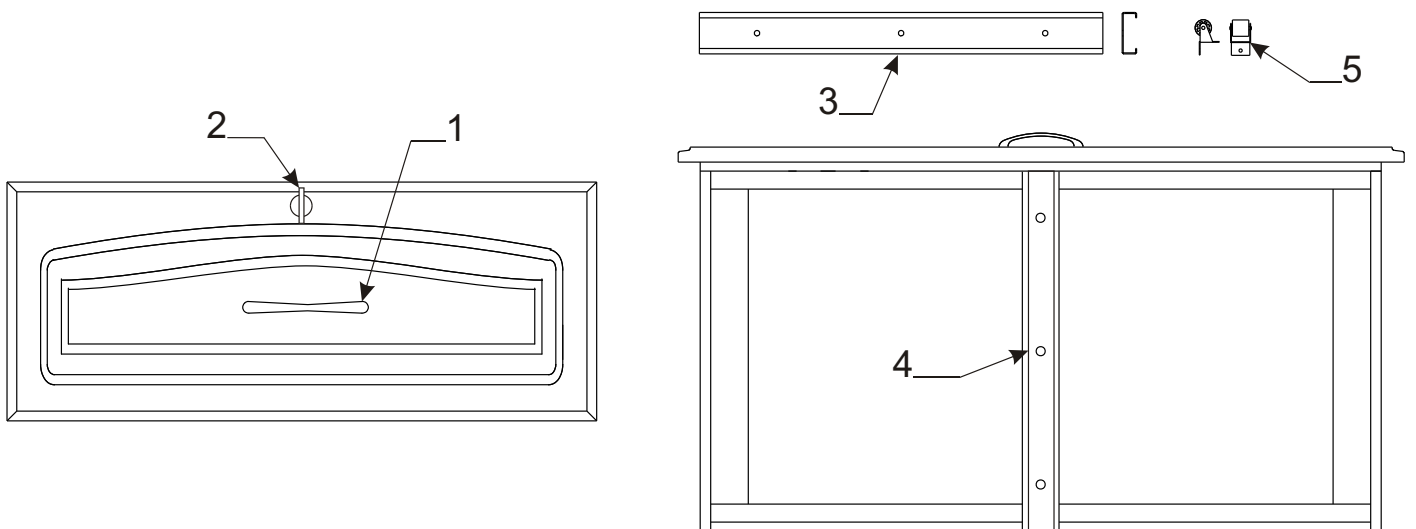
**WORLD FRIENDSHIP CO., LTD**  
 Warranty: 800-900-2468



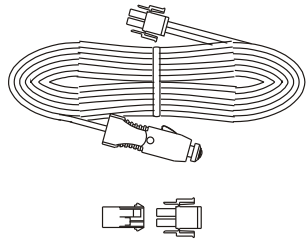
| Flat Rate | Code | Part #    | Description                      |
|-----------|------|-----------|----------------------------------|
| 1.00      | 1    | 4772A2441 | converter 35 amp WFCO            |
| .30       |      | 4713-0751 | converter cover w/door "brown"   |
| .30       |      | 4757-3401 | 15/20 amp double breaker         |
| .30       |      | 4757-3411 | 15/15 amp double breaker         |
| .30       |      | 4765-9841 | 15 amp single breaker            |
| .30       |      | 4757-8601 | 30 amp main breaker              |
| .60       | 2    | 4772-1601 | power cord 32 ft.                |
| .25       | 3    | 4753B9171 | lp gas detector                  |
| .35       | 4    | 4746E3841 | 15 amp GFI receptacle (white)    |
| .35       |      | 4746D3841 | 15 amp GFI receptacle (brown)    |
| .20       | 5    | 4752-2371 | 20 amp receptacle (white)        |
| .20       |      | 4744-3081 | 20 amp receptacle (brown)        |
| .20       | 6    | 4752-2361 | 15 amp receptacle (white)        |
| .20       |      | 4710B3551 | 15 amp receptacle (brown)        |
| .20       |      | 4765-4041 | 15 amp reefer receptacle (white) |
| .40       |      | 4746A3851 | receptacle box                   |
| .50       | 7    | 4752A8461 | thermostat                       |
| .20       | 8    | 4756B8811 | plastic base & bracket           |



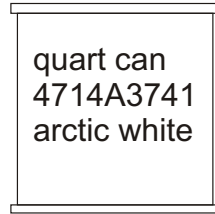
| Flat Rate | Code | Part #    | Description  |
|-----------|------|-----------|--|
| .10       | 1    | 4755B2681 | door pull w/screws   |
| .15       | 2    | 4767-3601 | chrome thumb turn lock   |
| .15       | 3    | 4757A9091 | 14" metal drawer guide track   |
| .15       |      | 4757B8891 | 17" metal drawer guide track   |
| .15       |      | 4773-4271 | 31" metal drawer guide track<br>(31" track loc. inside glide-out bench area) |
| .25       | 4    | 4772-2011 | 20" pvc i-beam drawer guide  |
| .10       | 5    | 4757-8911 | drawer roller m2   |



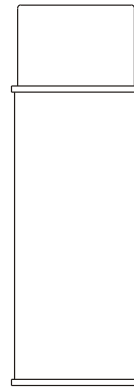
4733D6701 auto extension



4716A4701 12 volt cap & plug m2

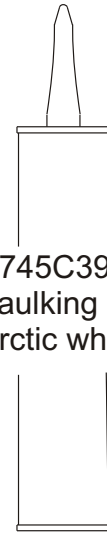


quart can  
4714A3741  
arctic white

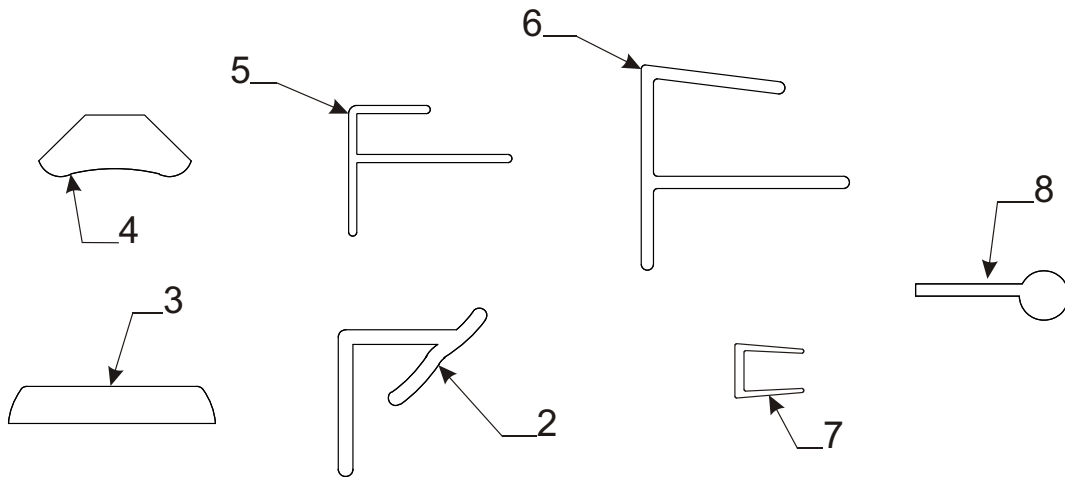


16 oz. spray

- 0008-2561 arctic white
- 0008-2641 black "textured"
- 0008-2571 black
- 0008-2701 summit ash (brown)

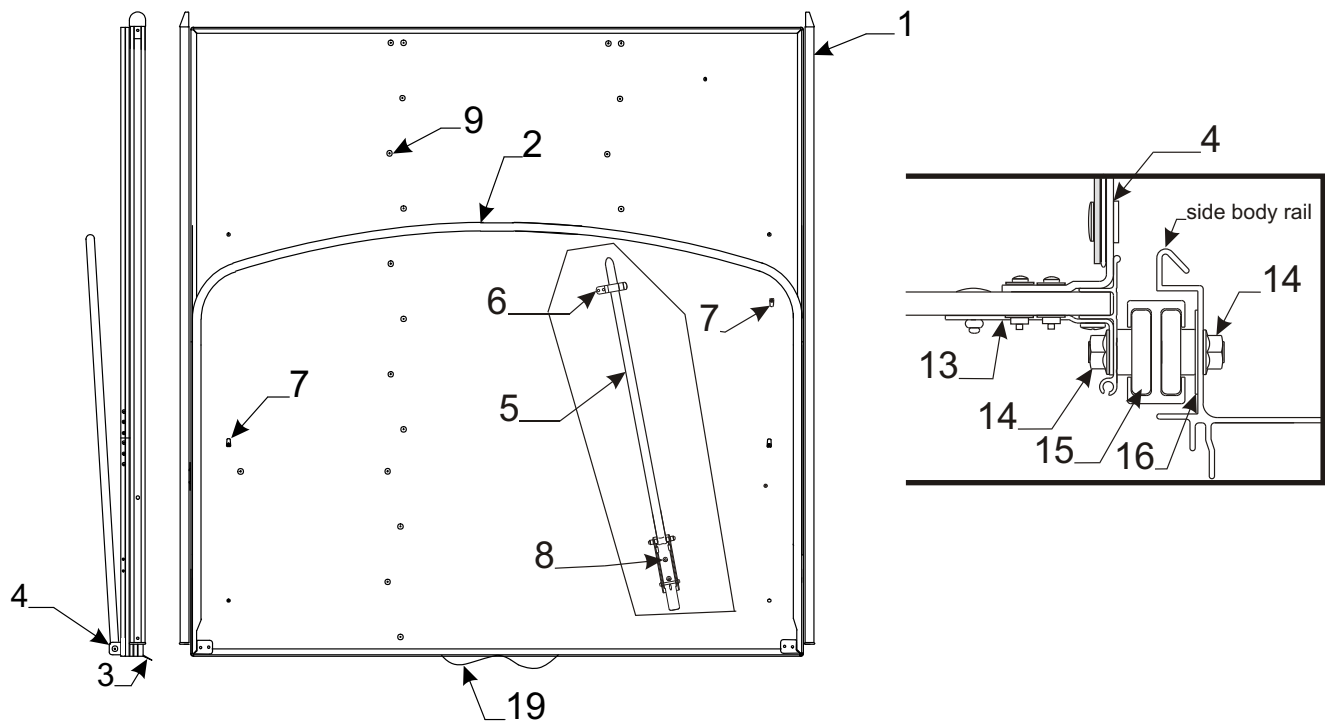


4745C3908  
caulking  
arctic white



\* Prior Authorization Needed

| <u>Flat Rate</u> | <u>Paneling &amp; Trim (Must Cut To Size)</u> |               |  |
|------------------|---|---------------|--|
|                  | <u>Code</u>                                   | <u>Part #</u> | <u>Description</u>                             |
| *                | 1   | 6010010997P   | wall panel (mozart pebble) 96" x 48"           |
| *                |   | 6010415696P   | woodgrain panel (summit ash) 48" x 48"         |
|                  |   | 6009435020P   | ceiling panel (adobe white) 4' x 8' sheet      |
| *                | 2   | 4060400380P   | plastic corner divider (mozart pebble) 48" pc. |
| *                |   | 4060400379P   | plastic corner divider (summit ash) 48" pc.    |
| *                | 3   | 4066500069P   | wood batten strip (summit ash) 48" pc.         |
| *                | 4   | 4060475011P   | wood inside corner (summit ash) 48" pc.        |
| *                |   | 4066575008P   | wood inside corner (mozart pebble) 96" pc.     |
| *                | 5   | 4060115605P   | 5/32" F-channel woodgrain 48" (summit ash)     |
| *                | 6   | 4060137505P   | 3/8" F-channel woodgrain 48" (summit ash)      |
|                  | 8   | 4060000031P   | sponge gimp 3/16" (21' pc. pkg.) Brown         |
|                  | 9   | 4356500012P   | 1" seam tape (mozart pebble) 150' roll         |
|                  |   | 4350500005P   | 1" wood grain tape (summit ash) 150' roll      |
|                  |   | 4350400004F   | 1" ceiling seam tape (adobe white) sold/foot   |

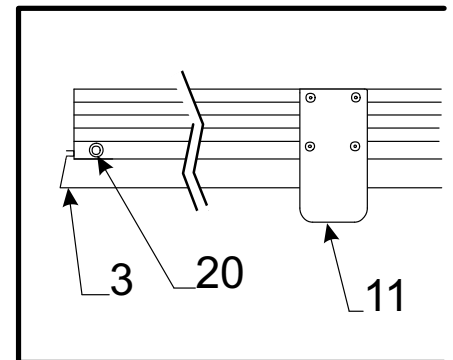
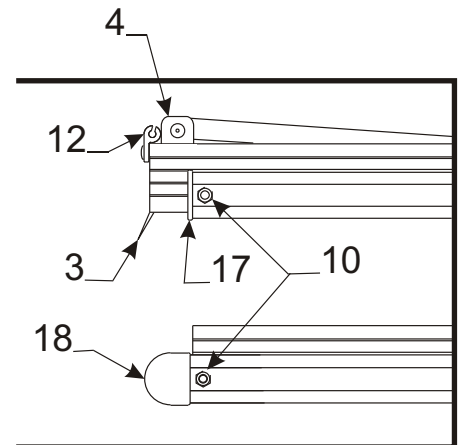


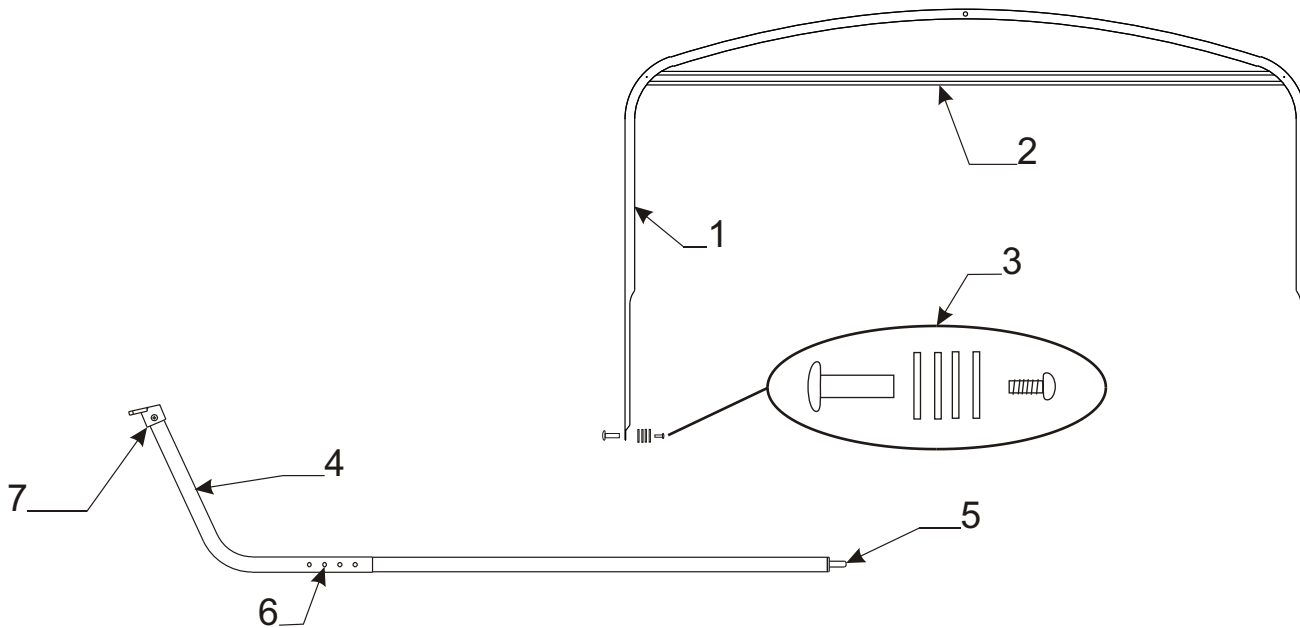
- 4233, 4249 - 4772A5321 Front Bed Assy. "Complete"
- 4233, 4249 - 4772A5311 Rear Bed Assy. "Complete"
- 4235 Saratoga - 4773-7551 Front Bed Assy. "Complete"
- 4235 Saratoga - 4773-7471 Rear Bed Assy. "Complete"

**Flat Rate .75 Bed assy. replacement**

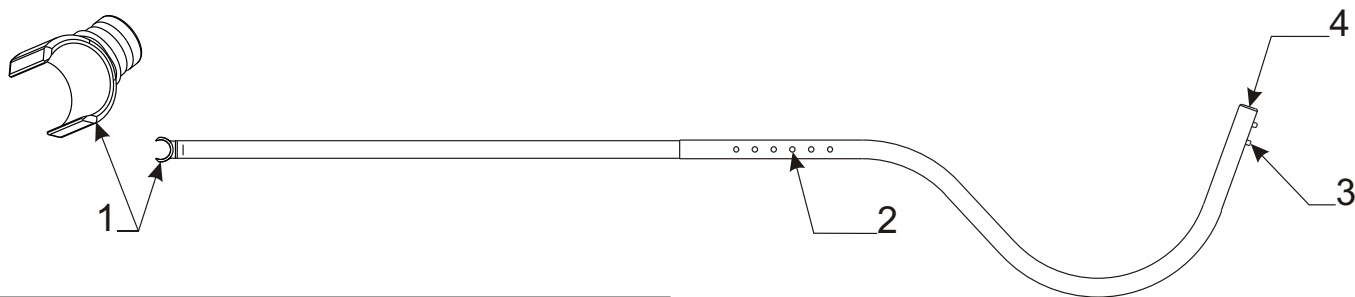
- \* .50 First Bed Extension
- \* .25 Second Bed Extension

| Flat Rate | Front/Rear Bed Assy. Components |   |
|-----------|---------------------------------|---|
| Code      | Part #                          | Description                                       |
| *         | 1                               | 4716U4031 bed extension (x2 per bed)              |
| .25       | 2                               | 4772A2091 tent bow/leg package                    |
| .25       | 3                               | 4060300339P vinyl bed seal (8' pc. pkg.)          |
| .15       | 4                               | 4720K5631 bed bow bracket m2                      |
| .05       |                                 | 4757-9241 1 1/2" plastic fender washer m4         |
|           |                                 | 1203C8721 steel rivet m25 (affix bow to brkt.)    |
|           |                                 | 1016B10148 machine screw x2 per brkt.             |
|           |                                 | 1201B6958 wiznut x2 per brkt.                     |
| .20       | 5                               | 4773-5311 rear bed leg assy. x2 (all except 4235) |
| .20       |                                 | 4758B0411 rear bed leg assy. x2 (4235 only)       |
| .20       |                                 | 4773-5321 front bed leg assy. x2 (all models)     |
| .15       | 6                               | 4757-4331 bed leg clip                            |
|           |                                 | 1203-8831 rivet m25 (rivet clip to bed)           |
| .15       | 7                               | 4720E4021 lashing hook m6                         |
|           |                                 | 1203-8741 rivet m25 (rivet hook to bed)           |
| .25       | 8                               | 4772-9451 slotted support plate 7 1/2"            |
| .20       |                                 | 4714-4521 mounting screws (pkg. x3)               |
|           | 9                               | 1203C8721 rivet m25                               |
| .20       | 10                              | 1034B16128 flat head screw                        |
|           |                                 | 1201B6378 lock nut                                |
| .25       | 11                              | 4772C1131 kill switch plate                       |
| .20       |                                 | 4746C0971 kill switch m4                          |
| .50       | 12                              | 4758-8301 bed end retainer track & rivets         |
| .20       | 13                              | 4755A2591 bed brkt. w/hardware x4                 |
|           | 14                              | 4739-2298 lock nut                                |
| .50       | 15                              | 4754-8101 bed roller, nut, bolt, & washer pkg.    |
|           | 16                              | 1202B2908 washer                                  |
| .15       | 17                              | 4754-8631 bed slide end cap                       |
| .15       | 18                              | 4754-4821 bed slide wedge                         |
| .20       | 19                              | 4758-9481 pull-out handle strap & rivets          |
|           |                                 | 4758-8001 rivet "black" m25                       |
| .05       | 20                              | 4730A3548 snap stud w/screw                       |



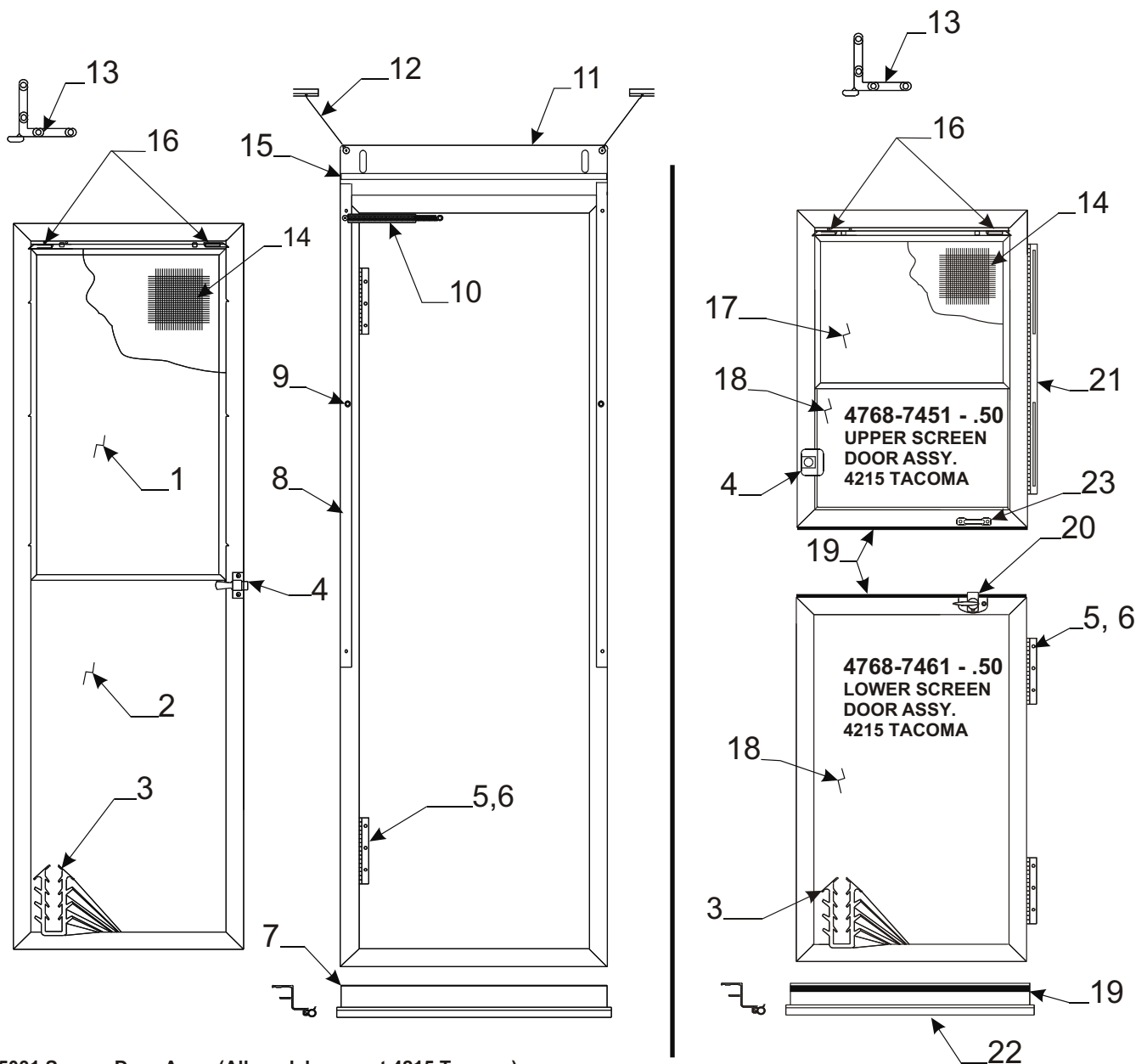


| <b>Glide-out Tent Bow - 4233, 4235, 4249</b> |             |               |                                |
|--|-------------|---------------|--------------------------------|
| <u>Flat Rate</u>                             | <u>Code</u> | <u>Part #</u> | <u>Description</u>             |
| .10  | 1           | 4756C2071     | glide-out tent bow 4233, 4235  |
| .10  |             | 4773-2041     | glide-out tent bow 4249 Avalon |
| .40  | 2           | 4757A8021     | curtain track 4233, 4235       |
| .40  |             | 4773-2051     | curtain track 4249 Avalon      |
|  |             | 1203-8951     | rivet m5 (affix track to bow)  |
| .10  | 3           | 4716-4451     | bow mounting hardware pkg.     |
| .05  | 4           | 4773B5131     | glide-out tent support (ALL)   |
| .20  | 5           | 8470-1728     | black pin m10                  |
| .10  | 6           | 4734-6708     | snap spring                    |
| .10  | 7           | 4757-1351     | tent support tip w/screw       |



| <b>Tent Support Components</b> |             |               |                         |
|--------------------------------|-------------|---------------|-------------------------|
| <u>Flat Rate</u>               | <u>Code</u> | <u>Part #</u> | <u>Description</u>      |
| .20                            | 1           | 4757-4301     | tent support clasp m10  |
| .10                            | 2           | 4734-6708     | spring assy.            |
| .10                            | 3           | 4734A6708     | spring assy.            |
| .10                            | 4           | 4752A0561     | tube closure "black" m2 |

| <b>Tent Support Assemblies (Complete)</b>          |  |
|--|--|
| <b>Flat Rate .10 per Tent Support</b>              |  |
| <b>Front Beds (All Models)</b>                     |  |
| 4772B6021  |  |
| <b>Rear Beds (All Models except 4235 Saratoga)</b> |  |
| 4772B6021  |  |
| <b>Rear Bed - 4235 Saratoga</b>                    |  |
| 4773-7651  |  |



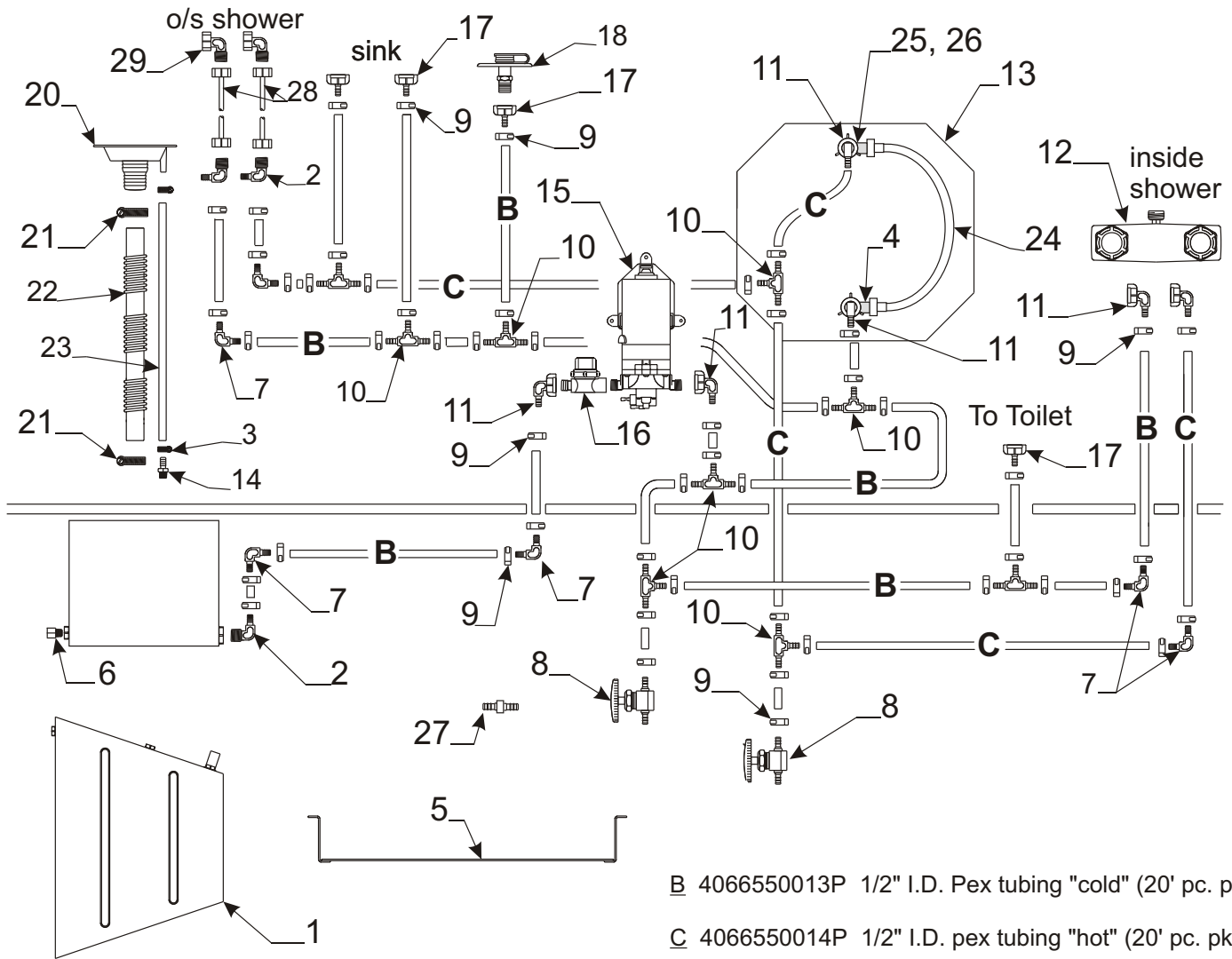
**4772B5031 Screen Door Assy. (All models except 4215 Tacoma)**

.30 Flat Rate Screen Door Complete

Note: parts marked w/\* asterisk are not included w/screen door

| Flat Rate | Screen Code | Door Part #  | Components Description                | Flat Rate | Screen Code | Door Part # | Description              |
|-----------|-------------|--------------|---------------------------------------|-----------|-------------|-------------|--------------------------|
| .10       | 1           | 4716E3401    | top sliding window pane               | .15       | 12          | 4772A5181   | cabl assy. m2            |
| .40       | 2           | 4772-0361    | stationary window pane                | .50       | 13          | 4710-3791   | corner brace hinge m2    |
| .15       | 3           | 4060000086F  | rubber seal (sold/foot)               | .10       | 14          | 4716-1381   | screened stationary pane |
|           |             |              | Note: around perimeter of window pane | .75       |             | 4716-1111   | screening 36" x 18 1/2"  |
| .15       | 4           | *4742-9671   | door latch assembly                   | .20       | 15          | 4060000023P | d-seal "white" (5' pkg.) |
| .15       | 5           | 4720C3601    | hinge x2                              | .50       | 16          | 4716-3811   | window lock pkg. rt./lt. |
|           | 6           | 1203-8641    | rivet m25                             | .10       | 17          | 4713-0731   | sliding window pane      |
| .25       | 7           | *4747B5621   | screen door support                   | .40       | 18          | 4754D1541   | stationary win. pane     |
| .50       |             | *4060000399F | rubber seal (sold/foot)               | .19       | 19          | 4066500020P | ribbed seal 26" M2       |
| .20       | 8           | 4754A3811    | vel-stick (pkg. of 2)                 | .20       | 20          | 4754A0501   | latch                    |
| .05       | 9           | 4730A3548    | stud w/screw x2                       |           |             | 1203-8641   | rivet m25                |
| .20       | 10          | 4731A8201    | spring package                        | .20       | 21          | 4773-8301   | hinge                    |
| .50       | 11          | 4773-0611    | top bracket                           | .25       | 22          | 4769-7831   | screen door support      |
| .50       |             | 4773-063     | top bracket hinge                     | .50       |             | 4060000399F | rubber seal (sold/foot)  |
|           |             |              |                                       | .20       | 23          | 4733B4511   | steel loop               |





**B** 4066550013P 1/2" I.D. Pex tubing "cold" (20' pc. pkg.)

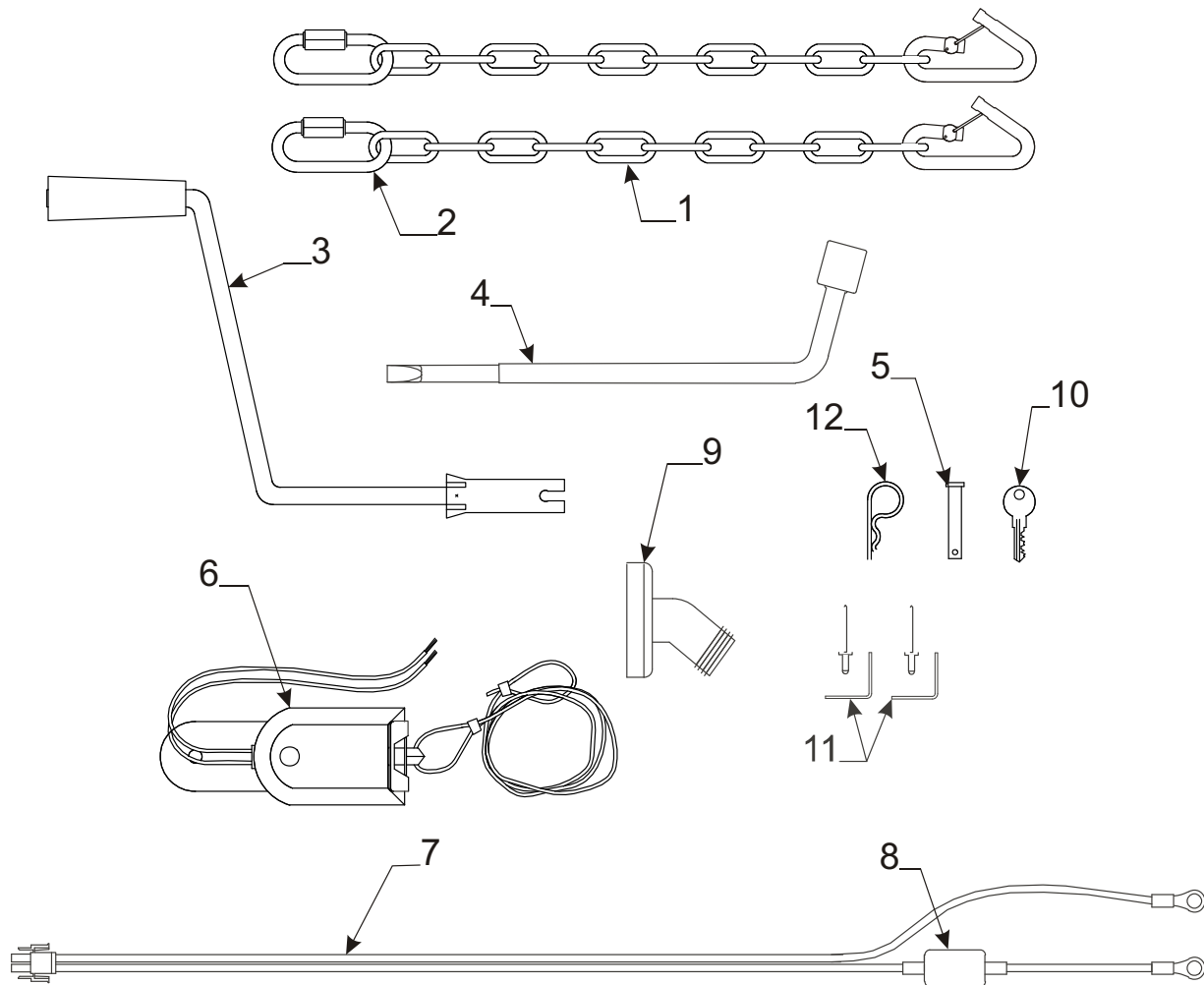
**C** 4066550014P 1/2" I.D. pex tubing "hot" (20' pc. pkg.)

4066550014P 1/2" I.D. High pressure hose (sold/foot)

| Flat Rate | Water System & Related Parts | FR  | Code | Part #      | Description                  |
|-----------|------------------------------|-----|------|-------------|------------------------------|
|           | Code Part # Description      |     |      |             |                              |
| 1.50      | 1 4772B8551                  | .15 | 14   | 4732B4561   | hose adapter                 |
| 1.50      | 4757B0471                    | .50 | 15   | 4741F5571   | electric water pump          |
| 1.50      | 4773-3531                    | .25 | 16   | 4747A8311   | water filter                 |
| .25       | 2 4769-0648                  | .20 | 17   | 4769-0588   | 1/2" straight swivel adapter |
|           | 3 4731-3058                  | .30 | 18   | 4732F1521   | city fill                    |
| .25       | 4 4767-1401                  | .15 | 19   | 4769-0638   | 1/2" b x 1/2" mpt adapter    |
| .20       | 5 4758-5381                  | .30 | 20   | 4731D1711   | fill spout                   |
| .15       | 6 1218-7001                  |     | 21   | 4715-4501   | adjustable hose clamp        |
| .25       | 7 4769-0618                  | .35 | 22   | 4731H1081   | water fill hose (3' pc.)     |
| .20       | 8 4769-0598                  | .20 | 23   | 4060050003F | 1/2" h.p. hose (sold/ft.)    |
| .25       | 9 4765-2351                  | .15 | 24   | 4767-1381   | nylon bypass hose 8"         |
| .25       | 10 4769-0608                 | .25 | 25   | 4767-1371   | 1/2" MPT brass tee           |
| .25       | 11 4769-0628                 | .25 | 26   | 4767-1391   | brass check valve            |
| .50       | 12 4741B2071                 | .25 | 27   | 4755A4828   | 1/2" x 1/2" insert coupler   |
| *         | 13 4765-1181                 | .25 | 28   | 4769-1291   | 60" water line assy.         |
| *         | 4765A1181                    | .25 | 29   | 4769-1318   | swivel elbow                 |
|           |                              |     |      |             | **DSI water heater #5034E    |
|           |                              |     |      |             | **DSI water heater #5032E    |

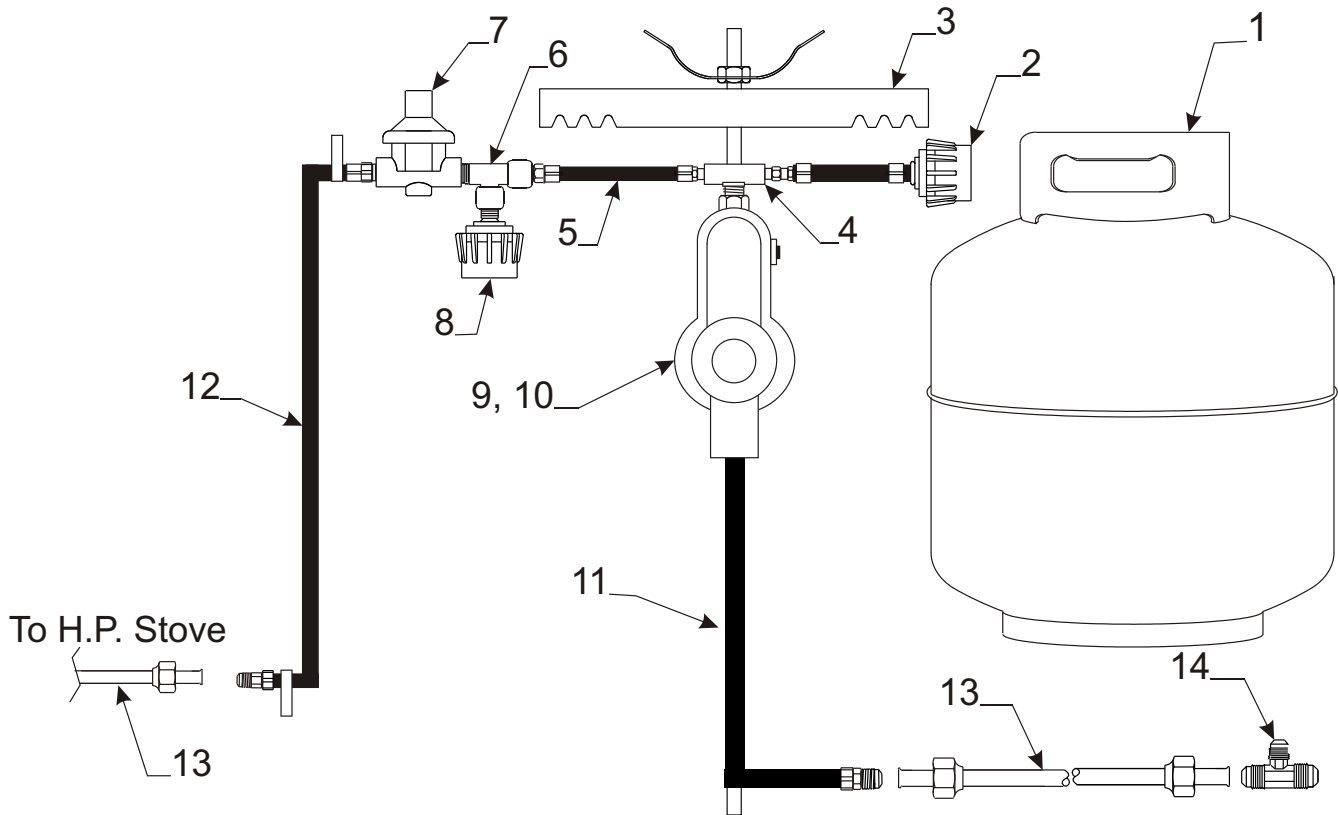
\* Warranted By Vendor

\*\* Note: Model # must be verified before ordering this item



**4772C6141 Parts Package (All Models)**

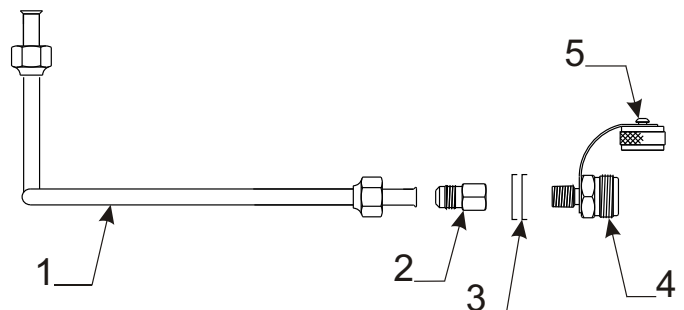
| <b>Parts Package Component Parts</b> |               |  |
|--------------------------------------|---------------|--|
| <b>Code</b>                          | <b>Part #</b> | <b>Description</b>                           |
| 1                                    | 4757A3901     | 29" tow chain w/quick link & spring clasp m2 |
| 2                                    | 4757-3891     | quick link (sold/signally)                   |
| 3                                    | 4747G4141     | crank handle                                 |
| 4                                    | 4749A1861     | lug nut wrench                               |
| 5                                    | 4757-4491     | hitch pin m5                                 |
| 6                                    | 4746-0401     | breakaway switch                             |
| 7                                    | 4749B5531     | battery harness w/15 amp breaker m2          |
|                                      | 4768-6291     | battery harness w/40 amp breaker             |
| 8                                    | 4751-4811     | 15 amp circuit breaker                       |
|                                      | 4759-0081     | 40 amp circuit breaker                       |
| 9                                    | 4737-9138     | drain adapter                                |
| 10                                   | 4730B3211     | key m10 # 8025 (gold plated)                 |
|                                      | 4716-7511     | outside shower key m2 #CH751                 |
| 11                                   | 4753E6781     | battery angle pkg.                           |
| 12                                   | 4732A4791     | safety pin m10                               |



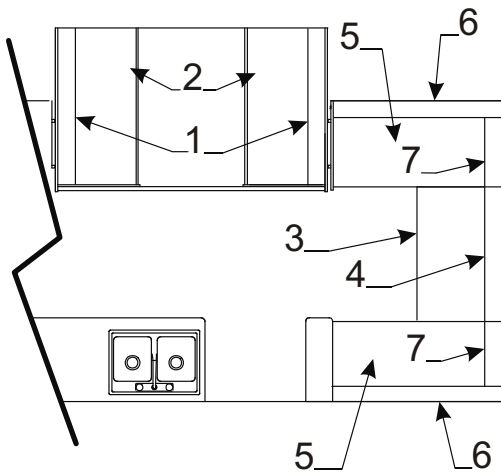
\*\* Serial Number Of Gas Bottle Must Be Supplied When Submitting Warranty

| Flat Rate | Gas System & Related Parts Code | Part #  | Description                      |
|-----------|---------------------------------|---|----------------------------------|
| .15 **    | 1                               | 4720J5928                                     | gas bottle x2                    |
| .05       |                                 | 4702-5061                                     | vinyl bottle cover               |
| .45       | 2                               | 4761-1921                                     | gas hose w/acme nut              |
|           | 3                               | 4772B9521                                     | gas bottle hold down brkt. assy. |
| .50       | 4                               | 4767-9631                                     | 1/4" female inverted tee         |
| .45       | 5                               | 4765A9581                                     | 1/4" gas hose assy.              |
| .50       | 6                               | 4739-6998                                     | street tee                       |
| .45       | 7                               | 4742B8041                                     | h.p. regulator                   |
| .30       | 8                               | 4765-9571                                     | acme nut                         |
| .45       | 9                               | 4755A0401                                     | regulator "low pressure"         |
| .05       | 10                              | 4734D3781                                     | regulator cover "plastic"        |
| .45       | 11                              | 4737-8871                                     | gas hose                         |
| .45       | 12                              | 4742-8081                                     | h.p. gas hose                    |
| .25       | 13                              | 1/2" or 3/8" copper gas line purchase locally |                                  |
| .50       | 14                              | 4765-897                                      | brass tee 1/2" equal             |
| .15       |                                 | 1215-1781                                     | brass tee 1/2" x 3/8" x 3/8"     |

| Flat Rate | Outside H.P. Stove Hookup Components Code | Part #                                | Description       |
|-----------|---|---------------------------------------|-------------------|
| .50       | 1   | 3/8" copper gas line purchase locally |                   |
| .15       |   | 1215-2418                             | 3/8" flare nut    |
| .40       | 2   | 4742-8061                             | female coupling   |
|           | 3   | 1202B1068                             | washer x2         |
| .40       | 4   | 4739-6978                             | cylinder adapter  |
| .40       | 5   | 4742-8071                             | brass cap & strap |

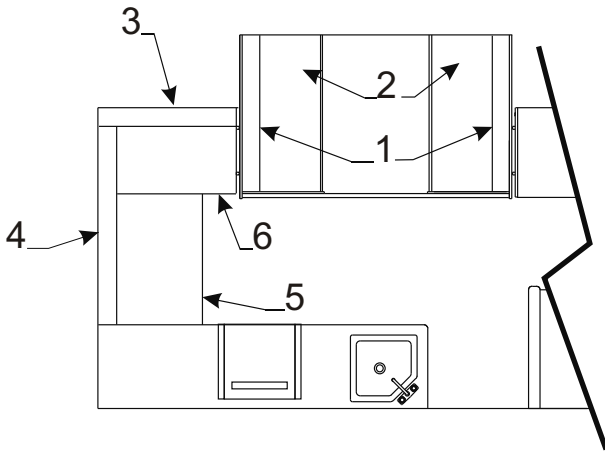


**Flat Rate .10 Assembly - .25 Cover**



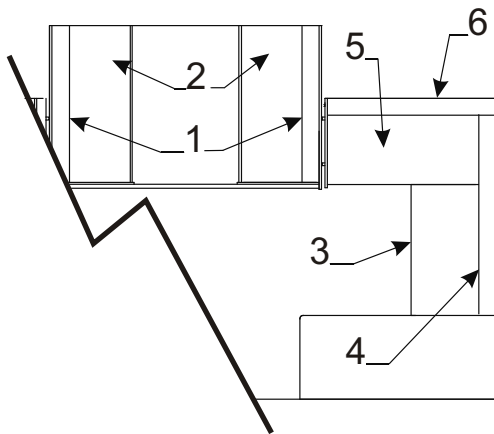
| Flat Rate | Cushion & Backrest Assy.'s - 4231 Arcadia |           |                                  |
|-----------|---|-----------|----------------------------------|
|           | Code                                      | Part #    | Description                      |
| .10       | 1   | 4755C7521 | backrest assy. 42 1/4" x 15 5/8" |
| .25       |   | 4714C7521 | backrest cover                   |
| .10       | 2   | 4755C7511 | cushion assy. 42 1/4" x 19 3/8"  |
| .25       |   | 4714C7511 | cushion cover                    |
| .10       | 3   | 4759H5771 | cushion assy. 41 3/8" X 2"       |
| .25       |   | 4713H5771 | cushion cover                    |
| .10       | 4   | 4773D5061 | backrest assy. 45 3/8" x 13 1/2" |
| .25       |   | 4715D5061 | backrest cover                   |
| .10       | 5   | 4773D5041 | cushion assy. 35" x 23 1/4"      |
| .25       |   | 4715D5041 | cushion cover                    |
| .10       | 6   | 4773D5071 | backrest assy. 41 3/8" x 17 3/4" |
| .25       |   | 4715D5071 | backrest cover                   |
| .10       | 7   | 4773A6071 | backrest assy. 16" x 13 1/2"     |
| .25       |   | 4715A6071 | backrest cover                   |

**Flat Rate .10 Assembly - .25 Cover**



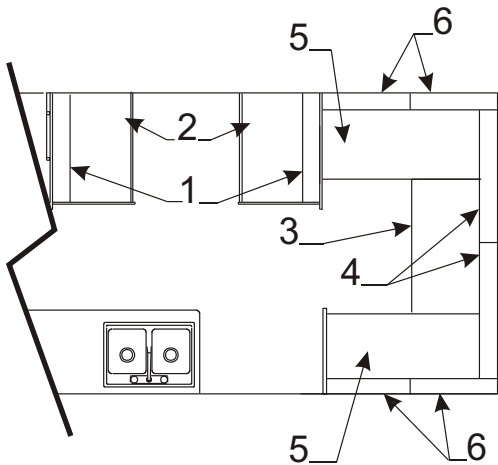
| Flat Rate | Cushion & Backrest Assy.'s - 4235 Saratoga |           |                                  |
|-----------|--|-----------|----------------------------------|
|           | Code                                       | Part #    | Description                      |
| .10       | 1  | 4755C7521 | backrest assy. 42 1/4" x 15 5/8" |
| .25       |  | 4714C7521 | backrest cover                   |
| .10       | 2  | 4755C7511 | cushion assy. 42 1/4" x 19 3/8"  |
| .25       |  | 4714C7511 | cushion cover                    |
| .10       | 3  | 4773A7401 | backrest assy. 25 3/4" x 13 1/2" |
| .25       |  | 4715A7401 | backrest cover                   |
| .10       | 4  | 4773A7391 | backrest assy. 59" x 13 1/2"     |
| .25       |  | 4715A7391 | backrest cover                   |
| .10       | 5  | 4773A7381 | cushion assy. 37" x 22"          |
| .25       |  | 4715A7381 | cushion cover                    |
| .10       | 6  | 4773A7371 | cushion assy. 29 3/8" x 22"      |
| .25       |  | 4715A7371 | cushion cover                    |

**Flat Rate .10 Assembly - .25 Cover**

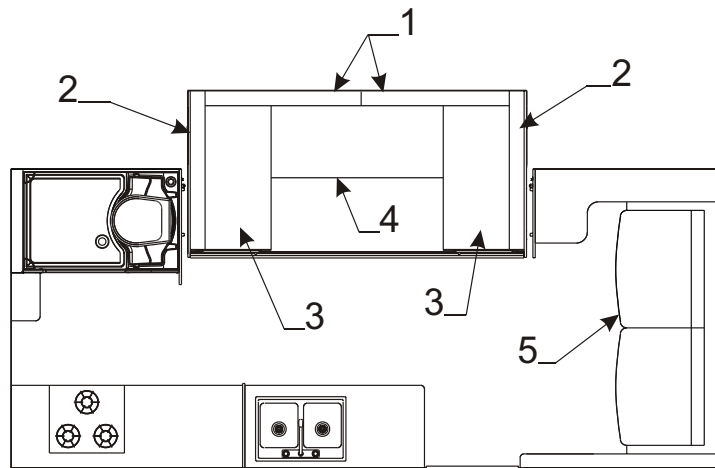


| Flat Rate | Cushion & Backrest Assy.'s - 4233 Niagara |           |                                  |
|-----------|---|-----------|----------------------------------|
|           | Code                                      | Part #    | Description                      |
| .10       | 1   | 4755C7521 | backrest assy. 42 1/4" x 15 5/8" |
| .25       |   | 4714C7521 | backrest cover                   |
| .10       | 2   | 4755C7511 | cushion assy. 42 1/4" x 19 3/8"  |
| .25       |   | 4714C7511 | cushion cover                    |
| .10       | 3   | 4773D5051 | cushion assy. 35" x 23"          |
| .25       |   | 4713D5051 | cushion cover                    |
| .10       | 4   | 4757A7431 | backrest assy. 54 1/2" x 13 1/2" |
| .25       |   | 4715A7431 | backrest cover                   |
| .10       | 5   | 4757A7441 | cushion assy. 45 3/8" x 23 1/4"  |
| .25       |   | 4713A7441 | cushion cover                    |
| .10       | 6   | 4773D5061 | backrest assy. 45 3/8" x 13 1/2" |
| .25       |   | 4715D5061 | backrest cover                   |

**Flat Rate .10 Assembly - .25 Cover**



| Flat Rate | Code | Part #    | Description                      |
|-----------|------|-----------|----------------------------------|
| .10       | 1    | 4768A2541 | backrest assy. 31 3/4" x 15 5/8" |
| .25       |      | 4714A2541 | backrest cover                   |
| .10       | 2    | 4768A2571 | cushion assy. 31 3/4" x 19"      |
| .25       |      | 4714A2571 | cushion cover                    |
| .10       | 3    | 4768-2611 | cushion assy. 35 1/4" x 24 1/2"  |
| .25       |      | 4714-2611 | cushion cover                    |
| .10       | 4    | 4768-2561 | backrest assy. 35 1/2" x 14"     |
| .25       |      | 4714-2561 | backrest cover                   |
| .10       | 5    | 4768-2591 | cushion assy. 52" x 22 5/8"      |
| .25       |      | 4714-2591 | cushion cover                    |
| .10       | 6    | 4768-2551 | backrest assy. 26" x 13"         |
| .25       |      | 4714-2551 | backrest cover                   |



**\*Prior authorization from factory needed.**

| Flat Rate | Code | Part #     | Description                      |
|-----------|------|------------|----------------------------------|
| .10       | 1    | 4773A2251  | backrest assy. 46 1/2" x 10 3/4" |
| .25       |      | 4715A2251  | backrest cover                   |
| .10       | 2    | 4773A2221  | backrest assy. 39" x 10 3/4"     |
| .25       |      | 4715A2221  | backrest cover                   |
| .10       | 3    | 4773A2201  | cushion assy. 43 1/4" x 21 3/4"  |
| .25       |      | 4715A2201  | cushion cover                    |
| .10       | 4    | 4773A2231  | cushion assy. 46 3/4" x 21 3/4"  |
| .25       |      | 4715A2231  | cushion cover                    |
| .25       |      | 4773-2341  | cushion leg x2                   |
| .10       |      | 4752-0551  | leg cap m2                       |
| .50       | 5    | 4761C5881  | *jackknife sofa                  |
| .25       |      | 4713C588B1 | sofa backrest recover            |
| .25       |      | 4713C588C1 | sofa cushion recover             |

**Drape Package (Less Valance Pkg.)**

**Note: Drape Pkg. Includes Privacy Curtains x4**

| Model         | Drape Pkg. | # Of Panels | Flat Rate |
|---------------|------------|-------------|-----------|
| 4231, 4233    | 4772F6791  | 14          | .30       |
| 4235 Saratoga | 4773A7591  | 11          | .30       |
| 4249 Avalon   | 4773A6511  | 12          | .30       |
| 4215 Tacoma   | 4768-2361  | 12          | .30       |

**Drape Tab C-Shape** m60 - 4750-2891 Flat Rate - .05

**Drape Tie Package** (Qty. 1) Flat Rate - .05  
4753J9801

**Valance Package** .25 Flat Rate

4773C5671 - 4231 Arcadia, 4233 Niagara  
4773A4351 - 4235 Saratoga  
4773A2181 - 4249 Avalon  
4768-2461 - 4215 Tacoma  
8166500030P - Valance C-shaped glide tape (3yd. pkg.)

**Privacy Curtain Pkg. (Set Of 2 Panels)**

.15 4715D0721 - Privacy Curtain pkg.

**Single Drape Panel W/Safety Straps**

.15 4715D0211 Drape pnl. 21 1/2" x 42"  
.15 4715D0281 Drape pnl. 28" x 42"  
.15 4715D0461 Drape pnl. 46" x 42"

**Shower Curtain** Flat Rate - .15

4800A5741 - shower curtain pkg.  
4739-1191 - curtain carrier & hook m6  
4739-0671 - i-beam track stop  
4773A0821 - i-beam track .50  
4739-1201 - i-beam mounting brkt. m12

**Shower Stall Valance** Flat Rate - .15

4772G2081 (All except Tacoma)  
4772H208B1 (4215 Tacoma)

**Glide-Out Curtain & Valance** Flat Rate - .20

4713A6791 - Arcadia, Niagara, Saratoga  
4713A6511 - 4249 Avalon

**Dressing Room Curtain Pkg.** Flat Rate - .20

4773A7741 (All)

**Flat Rate - Mattress Assy. .10/Cover .50**

**Front Mattress Assembly & Covers (All Models)**

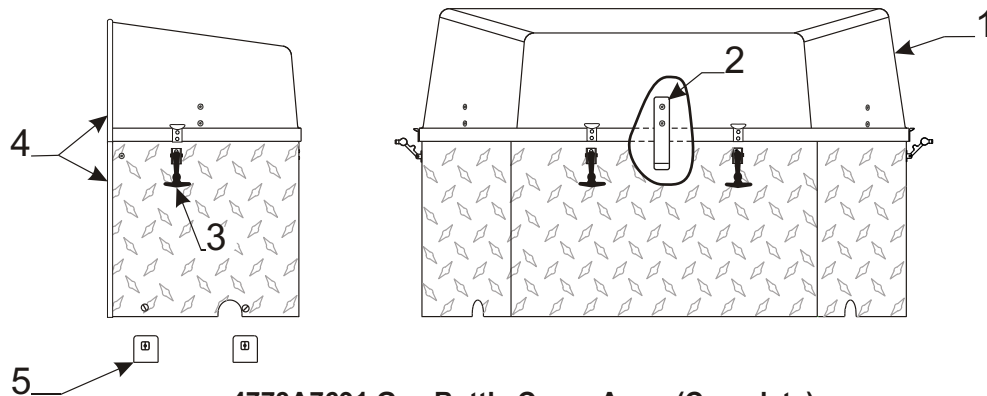
Front Mattress Assy. - 4757M6421 - 77" x 70"  
Front Mattress Cover. - 4714M6421

**Rear Mattress Assembly & Covers (All except 4235 Saratoga)**

Rear Mattress Assy. - 4757M6421 - 77" x 70"  
Rear Mattress Cover. - 4714M6421

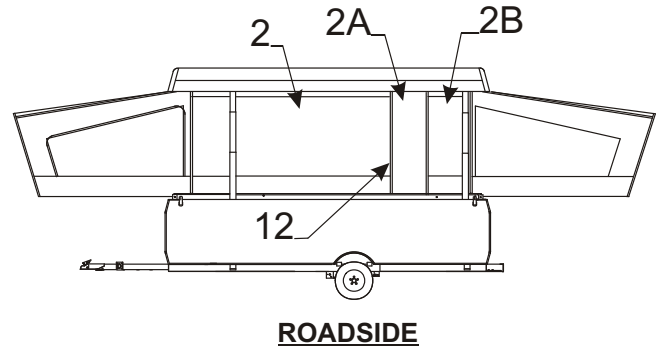
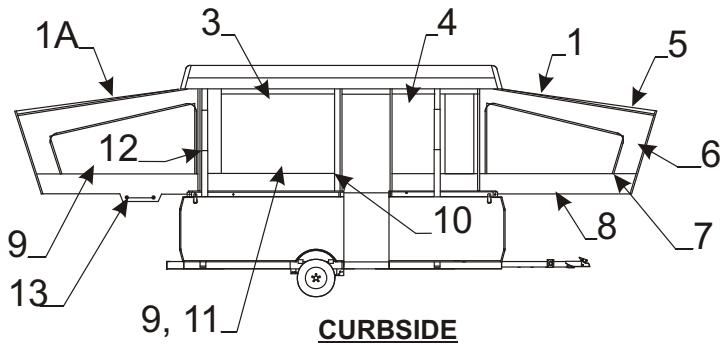
**Rear Mattress Assembly & Covers (4235 Saratoga only)**

Rear Mattress Assy. - 4773B7361 - 77" x 64"  
Rear Mattress Cover. - 4714B7361

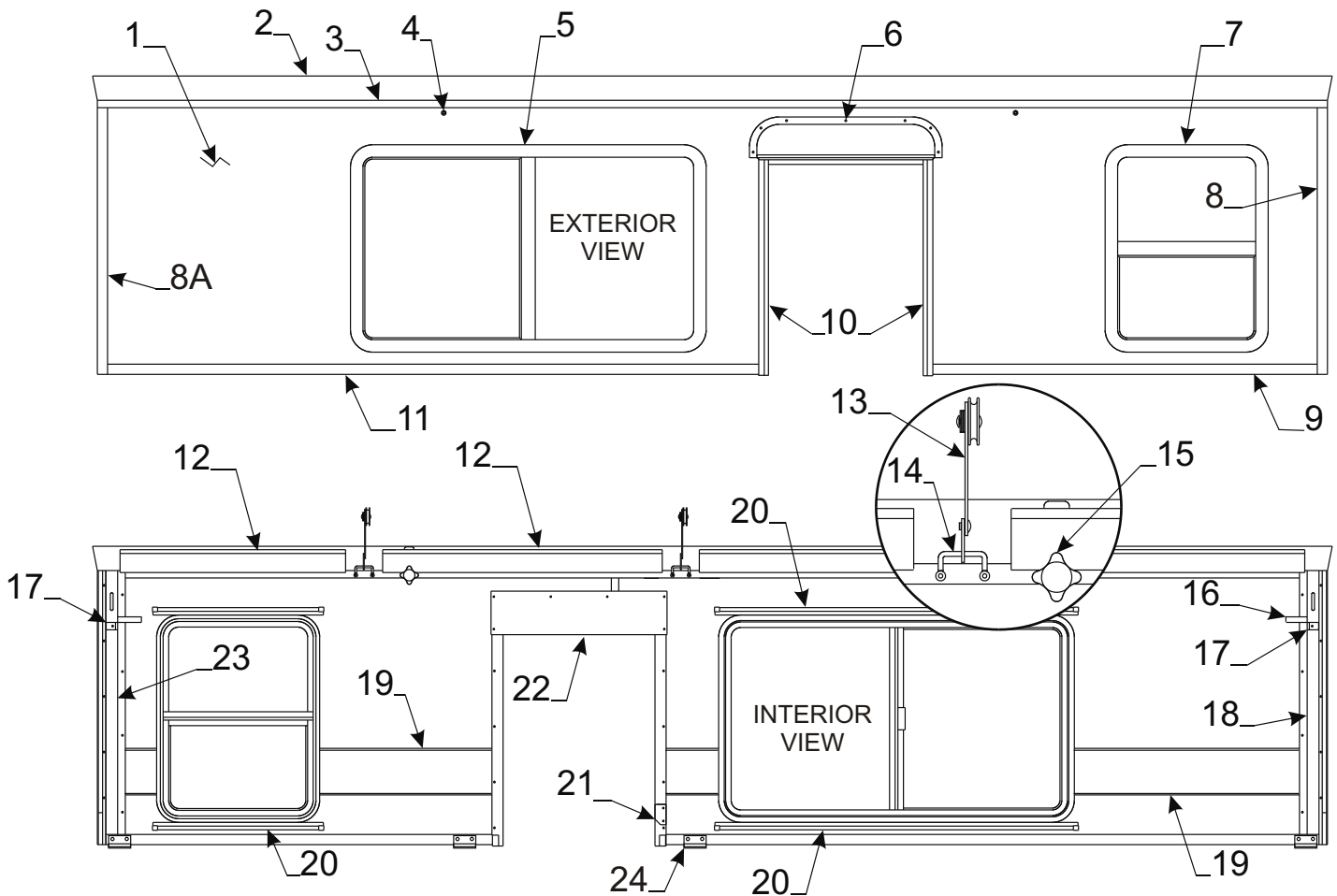


**4773A7691 Gas Bottle Cover Assy. (Complete)**

| Flat Rate | Gas Bottle Cover Components | Code        | Part #                     | Description |
|-----------|-----------------------------|-------------|----------------------------|-------------|
| .25       | 1                           | 4773A5291   | plastic cover w/hardware   |             |
| .15       | 2                           | 4755-8101   | lid clip x3                |             |
| .15       | 3                           | 4755-8111   | latch, strike & rivet x4   |             |
| .30       | 4                           | 4060000014P | edge molding (8' pc. pkg.) |             |
| .10       | 5                           | 4772A9431   | cover keeper w/rivets x4   |             |
| .05       |                             | 4732-1181   | screw grommet m4           |             |
| .05       |                             | 1121C1618   | license plate screw x2     |             |



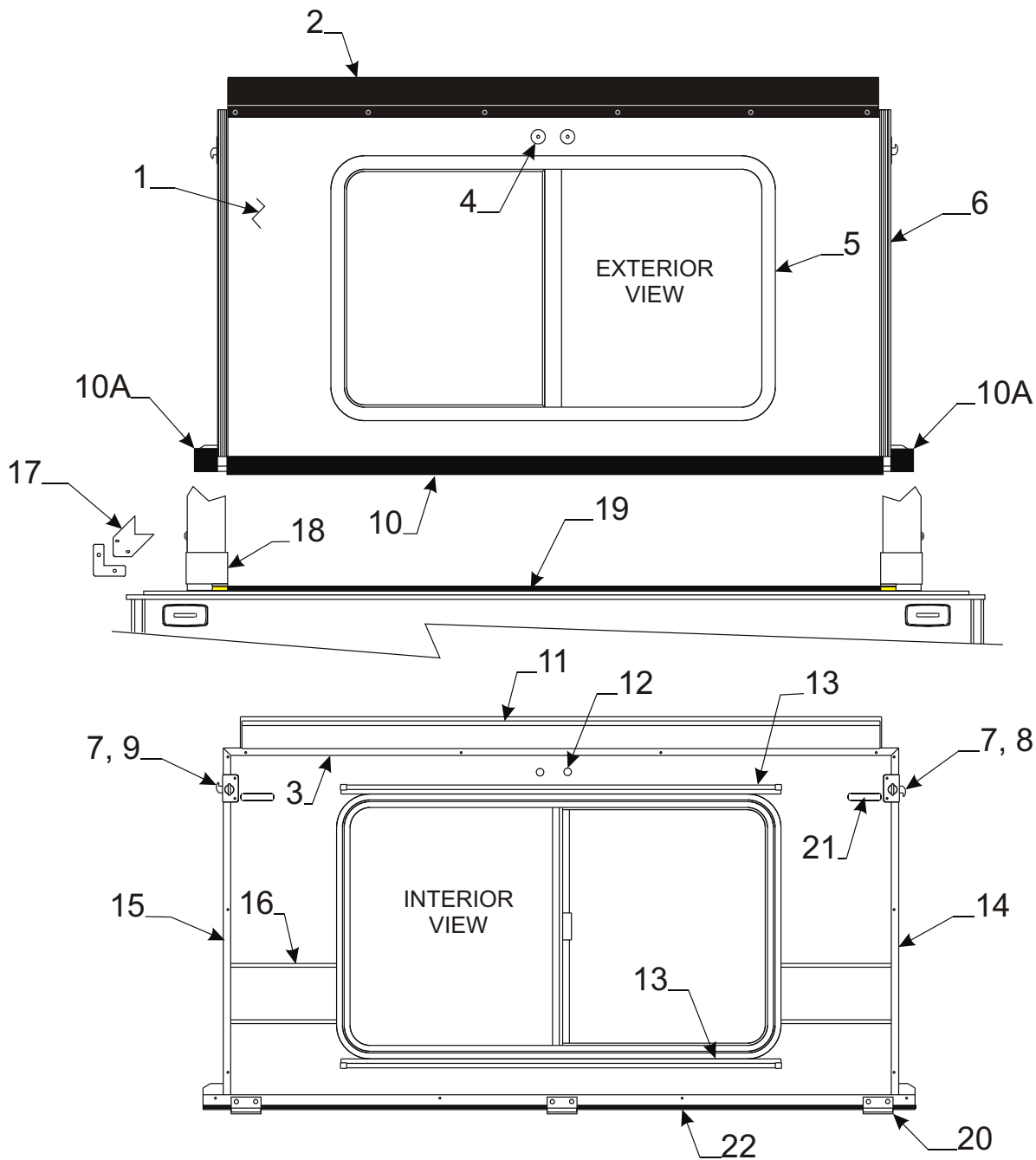
| <b>Sunbrella Tenting &amp; Components</b> |             |               |   |
|---|-------------|---------------|---|
| <u>Flat Rate</u>                          | <u>Code</u> | <u>Part #</u> | <u>Description</u>                                      |
| .50                                       | 1           | 4772D5901     | front boot - All Models                                 |
| .50                                       | 1A          | 4772D5901     | rear boot - All Models except 4235 Saratoga             |
| .50                                       |             | 4773A7601     | rear boot - 4235 Saratoga only                          |
| .40                                       | 2           | 4772D6761     | large window "w/glide-out" - 4231 Arcadia, 4233 Niagara |
| .40                                       |             | 4773A7631     | large window "w/glide-out" - 4235 Saratoga              |
| .40                                       |             | 4773A6751     | large window "w/glide-out" - 4249 Avalon                |
| .25                                       | 2A          | 4773C5991     | vent cover tent section - 4231, 4233, 4249              |
| .15                                       | 2B          | 4773A6781     | rsr tent section - 4233 Niagara, 4249 Avalon            |
| .20                                       | 3           | 4772D6781     | small window - 4231 Arcadia, 4233 Niagara               |
| .20                                       |             | 4773A7621     | small window - 4235 Saratoga                            |
| .20                                       |             | 4773A6761     | small window - 4249 Avalon                              |
| .15                                       | 4           | 4772D6771     | door seal - 4231 Arcadia, 4233 Niagara                  |
| .15                                       |             | 4773A7661     | rear door seal - 4235 Saratoga                          |
| .15                                       |             | 4773A7611     | front door seal - 4235 Saratoga                         |
| .25                                       |             | 4773C5991     | vent cover tent section - 4235 Saratoga                 |
| .15                                       |             | 4773A6771     | door seal - 4249 Avalon                                 |
|   | 5           | 8118501430P   | top vinyl pkg. (85" x 3 yards)                          |
|   | 6           | 4716C0851     | sunbrella patch package (12" x 14")                     |
|   | 7           | 6650500131F   | zipper (sold/yard) used around window                   |
|   |             | 1225A4461     | zipper pull m5  |
|   | 8           | 8118001441P   | bottom vinyl facing pkg. "burgundy" (3 yd. x 80")       |
|   | 9           | 4714E1611     | screen package (84" x 3 yards)                          |
|   |             | 4714A0361     | screen package (84" x 13 yards)                         |
|   | 10          | 4350000009P   | 1" velcro hook (10' pc. Pkg.)                           |
|   | 11          | 4716A2401     | clear window vinyl (42 1/2" x 3 yards)                  |
|   | 12          | 1225G3928     | 42 1/2" side zipper pin half                            |
|   |             | 1225G3918     | 42 1/2" side zipper slider half                         |
| .50                                       | 13          | 4060000245CP  | shock cord (150' package)                               |
| .50                                       |             | 4714C6021     | shock cord & hooks m2 (two 14' lengths)                 |
| .15                                       |             | 4724A2011     | shock cord termination (plastic hook) m10               |
|   | 14          | 4060000024F   | arrowhead seal (sold/foot)                              |
| .30                                       | 15          | 4772-5921     | extension harness                                       |
| .50                                       | 16          | 4743-1588     | k-kote seam sealer                                      |
|   | 17          | 4728-5641     | tent retainer pkg.                                      |
| .30                                       | 18          | 4710-1001     | vinyl daubing "white" m2                                |
| .30                                       |             | 4710-1011     | vinyl daubing "grey"                                    |
| .30                                       |             | 4713-0481     | vinyl daubing "burgundy"                                |



**Curbside/Roadside Fold Down Wall Components - Tacoma**

| FR   | Code | Part #      | Description                   | FR  | Code | Part #      | Description                             |
|------|------|-------------|-------------------------------|-----|------|-------------|---|
| 1.00 | 1    | 4768-7481   | cs wall assy. (less windows)  |     | 11   | 4773-855    | csr bottom channel extrusion            |
| 1.00 |      | 4768-7501   | rs wall assy. (less windows)  |     |      | 4773-853    | rs bottom channel extrusion             |
| .50  | 2    | 4060000026P | wipe seal (16' pc. pkg.)      | .25 | 12   | 4768-2011   | valance tack 72"<br>(must cut to size)  |
|      | 3    | 4773-852    | cs/rs side wall top extrusion |     | 13   | 4773-7981   | roller assy. x3                         |
| .15  |      | 4745-3968   | screw "white" x6              | .25 | 14   | 4768-2221   | wall loop x3                            |
| .15  | 4    | 4724-2608   | nylon recessed bumper         | .20 | 15   | 4768-7281   | wall latch assy. x3                     |
| 1.00 | 5    | 4768-2031   | cs/rs window 48" x 28"        | .16 | 16   | 4351400005F | velcro (sold/yard)                      |
| .15  |      | 4713-2031   | window screen                 | .17 | 17   | 4768-2211   | nylon wall ramp x2                      |
| .50  |      | 4068800023  | D-seal white (13' required )  |     |      | 4766-031    | flat headed tapping screw               |
| .30  | 6    | 4773-8251   | header trim (plastic)         | .18 | 18   | 4773-856    | csr/rsf vertical slotted extrusion      |
|      |      | 4762-877    | 3/4" x 3/4" foam seal x7      | .19 | 19   | 4356500018P | wall border tape (10' pc. pkg.)         |
|      |      | 4745-3968   | screw "white" x7              | .20 | 20   | 4768-1941   | curtain track 92"<br>(must cut to size) |
| 1.00 | 7    | 4768-2041   | cs/rs window 22" x 28"        | .21 | 21   | 4768-2621   | nylon latch ramp                        |
| .15  |      | 4713-2041   | window screen                 | .22 | 22   | 4773-839    | interior header plate                   |
| .50  |      | 4068800023  | D-seal white (9' required )   | .23 | 23   | 4773-857    | csf/rsr vertical slotted extrusion      |
|      | 8    | 4773-859    | csr vertical wall end cover   | .24 | 24   | 4773-8411   | wall pivot brkt. & rod x4               |
|      | 8A   | 4773-858    | csf vertical wall end cover   |     |      | 4737A072    | rubber stop x2                          |
|      | 9    | 4773-854    | csf bottom extrusion          |     |      |             |   |
| .25  | 10   | 4773-860    | csf door trim extrusion       |     |      |             |   |
| .25  |      | 4773-861    | csr door trim extrusion       |     |      |             |   |



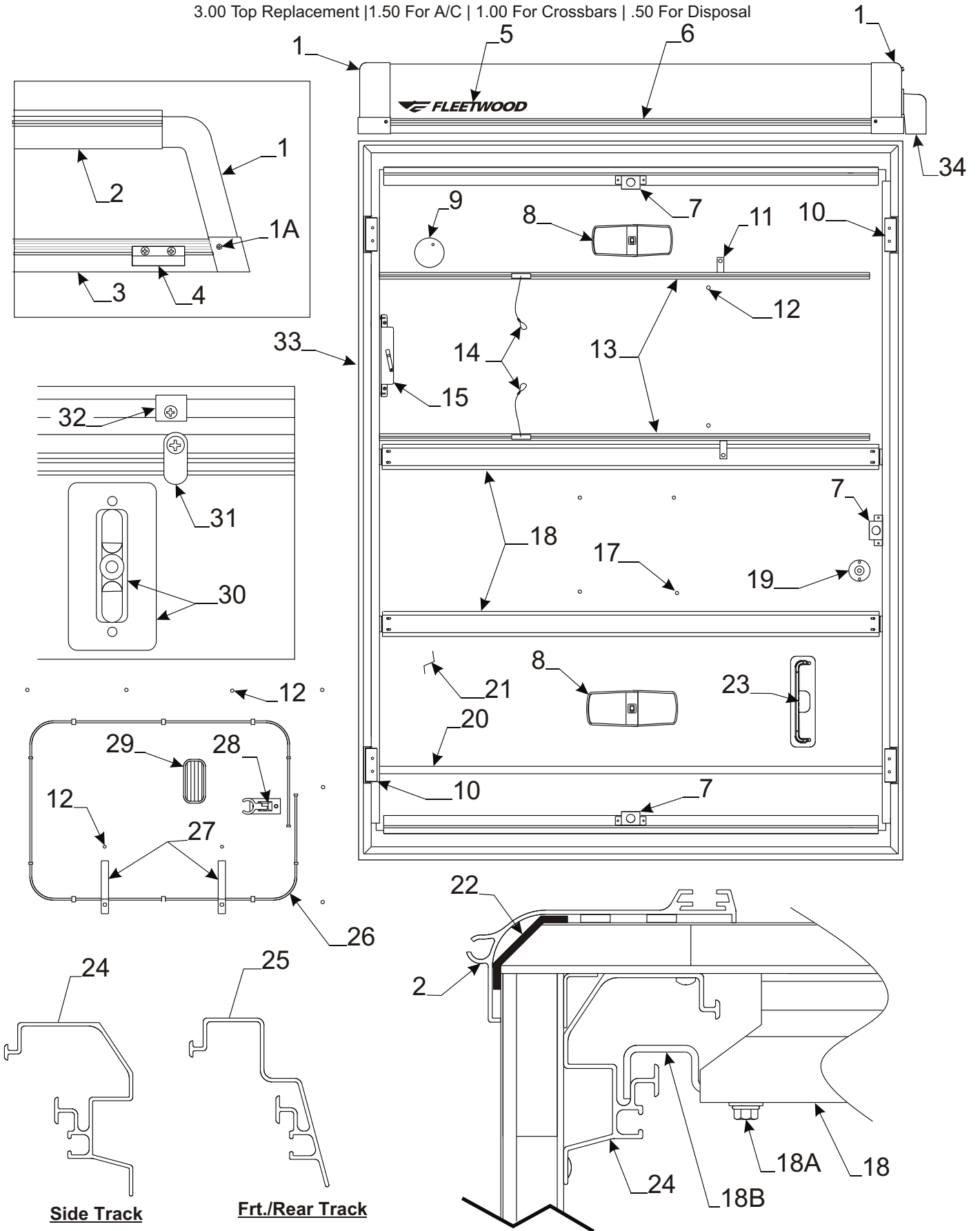


**Front/Rear Fold Down Wall Components - Tacoma**

| FR   | Code | Part #      | Description                    | FR  | Code | Part #      | Description                          |
|------|------|-------------|--------------------------------|-----|------|-------------|--------------------------------------|
| 1.00 | 1    | 4768-7491   | front wall assy. (less window) | .50 | 10   | 4066500047P | swipe seal (8' pc. pkg.)             |
| 1.00 |      | 4768-7511   | rear wall assy. (less window)  | .25 | 10A  | 4773-9101   | foam seal pad 2 3/8" x 2 3/8"        |
| .50  | 2    | 4060000026P | wipe seal (16' pc. pkg.)       | .25 | 11   | 4768-2011   | valance tack 72" (must cut to size)  |
|      |      | 4759A305    | tek screw "black"              |     | 12   | 4739E2908   | screw cap m10                        |
| .50  | 3    | 4773-850    | frt./rr wall top extrusion     |     |      | 4739-2918   | screw cap washer m10                 |
|      |      | 4745-3968   | screw "white" x6               | .25 | 13   | 4768-1941   | curtain track 92" (must cut to size) |
| .15  | 4    | 4768-2261   | rubber bumper 1 1/2" x 1"      |     | 14   | 4773-849    | csf/rsr vertical side extrusion      |
| 1.00 | 5    | 4768-2031   | front window 48" x 28"         |     | 15   | 4773-848    | rsf/csr vertical side extrusion      |
| .15  |      | 4713-2031   | window screen                  | .50 | 16   | 4356500018P | wall border tape (10' pc. pkg.)      |
| .50  |      | 4068800023  | D-seal white (13' required)    | .50 | 17   | 4713-8831   | inner/outer miter cover pkg. m4      |
| 1.00 |      | 4768-2051   | rear window 27" x 28"          | .50 | 18   | 4773A8361   | csf/rsr rail corner brkt.            |
| .50  |      | 4068800023  | D-seal "white" (9' required)   | .50 |      | 4773A8351   | rsf/csr rail corner brkt.            |
| .50  | 6    | 4066500082P | D-seal "black" (8' pc. pkg.)   | .25 |      | 4773A8031   | foam seal pad 3 1/4" x 2 1/4"        |
| .25  | 7    | 4773A8281   | key lock, collar & strike x2   | .25 | 18A  | 4768-2931   | nylon block 1" x 3/4"                |
|      |      | 4730B3211   | key #8025 m10                  | .50 | 19   | 4066500083P | rectangular seal (14' pc. pkg.)      |
| .25  | 8    | 4773-8371   | csf/rsr latch plate            | .50 | 20   | 4773-8401   | end pivot bracket & rod x3           |
| .25  | 9    | 4773-8381   | rsf/csr latch plate            | .10 | 21   | 4768-298    | latch decal                          |
|      |      | 4745-3968   | screw "white" x2               | .50 | 22   | 4350000033  | 1/2" x 1/8" foam tape (7' required)  |

|           |   |           |                              |
|-----------|---|-----------|------------------------------|
| 4772D6741 | Top Assembly - 4231 Arcadia, 4233 Niagara | 4773A7331 | Top Assembly - 4235 Saratoga |
| 4767A7291 | Top Assembly - 4249 Avalon                | 4773-7991 | Top Assembly - 4215 Tacoma   |

3.00 Top Replacement | 1.50 For A/C | 1.00 For Crossbars | .50 For Disposal



| <u>FR</u> | <u>Code</u> | <u>Part #</u> | <u>Description</u>   |
|-----------|-------------|---------------|--|
| .50       | 1           | 4713-9011     | plastic corner cap csf/rsr (1 cap per pkg.)                  |
| .50       |             | 4713-9001     | plastic corner cap rsf/csr (1 cap per pkg.)                  |
|           |             | 4356500043P   | butyl tape 1" x 3/16" (20' pc.)                              |
|           |             | 435000022F    | foam tape 1/2" wide x 1/4" thick (sold/foot)                 |
|           |             | 4759-1401     | flat head screw 3/4" "stainless steel" x2                    |
|           | 1A          | 4767-9001     | flat head tek screw 3/4" "white" x2                          |
|           | 2           | 4767A948      | canopy/rack track extrusion 4233 Niagara, 4215 Tacoma        |
|           |             | 4768A034      | canopy/rack track extrusion 4249 Avalon                      |
|           |             | 4767A909      | canopy/rack track extrusion 4235 Saratoga                    |
|           | 3           | 4767A945      | cs side seal extrusion 4233 Niagara, 4215 Tacoma             |
|           |             | 4767A961      | rs side seal extrusion 4233 Niagara                          |
|           |             | 4773-808      | rs side seal extrusion 4215 Tacoma                           |
|           |             | 4768A028      | cs side seal extrusion 4249 Avalon                           |
|           |             | 4768A029      | rs side seal extrusion 4249 Avalon                           |
|           |             | 4773A398      | cs side seal extrusion 4235 Saratoga                         |
|           |             | 4767A913      | rs side seal extrusion 4235 Saratoga                         |
| .15       | 4           | 4769-2541     | top strike csf (used x1)                                     |
| .15       |             | 4750A9581     | top strike m2 (used x3)                                      |
|           |             | 4744C2461     | torx head screw "painted" m2                                 |
|           |             | 1201B6958     | nut (x2 per strike)  |
|           |             | 4702-2961     | strike foam gasket m4  |
| .25       | 5           | 4761-1958     | Fleetwood logo   |
|           | 6           | 4767-9141     | end seal extrusion frt./rear (all)                           |
| .15       | 7           | 4767A9081     | tent support bracket x2                                      |
|           |             | 4733F4136     | screw  |
| .15       | 8           | 4744E4741     | double light   |
|           |             | 4758-1361     | dome light lens  |
|           |             | 1103B1028     | screw x4   |
| .15       | 9           | 4767A4641     | carbon monoxide detector                                     |
|           | 10          | 4767-7001     | lift pocket x4   |
|           |             | 1201B6378     | lock nut 1/4-20  |
| .15       | 11          | 4723A5061     | strap x2   |
|           | 12          | 4730A3548     | stud w/screw x2  |
| .30       | 13          | 4733H47181    | screen door track x2   |
|           |             | 4744B4611     | expansion rivet m25  |
| .15       | 14          | 4772A5181     | screen door cable M2   |
| .20       | 15          | 4749C5571     | screen door bracket  |
|           |             | 4747-2558     | expansion rivet m25  |
|           |             | 4749-2138     | snap button m2   |
|           |             | 1203-8631     | rivet m25  |
|           | 16          | 4733B4511     | steel loop m2  |
|           |             | 4350000125P   | 3" x 4" flextrud white tape                                  |
|           | 17          | 1203-9258     | plastic accordion rivet m25                                  |
|           | 18          | 4767-9161     | a/c brace (all except Tacoma)                                |
|           |             | 4769-0961     | a/c brace (Tacoma only)                                      |
|           |             | 4060300081P   | a/c brace vinyl insert molding (8' pc. pkg.)                 |
|           | 18A         | 4738A0898     | hex bolt   |
|           |             | 1202E0408     | washer   |
|           | 18B         | 4800-6861     | a/c brace mounting bracket x2                                |
|           | 19          | 4756A8291     | aux. light jack w/rivets                                     |
| .20       | 20          | 4350400004F   | vinyl seam tape (sold/foot)                                  |
|           | 21          | 6009435020P   | ceiling panel 4' x 8' sheet                                  |
|           | 22          | 4350000047    | 1/8" x 2 1/2" eterna-bond tape (sold/roll)                   |
|           | 23          | 4758A4571     | wardrobe hanger "plastic"                                    |
|           | 24          | 4768-032      | side tent/drape track (must cut to size) - All except Tacoma |
|           |             | 4773-806      | side cove extrusion - 4215 Tacoma                            |
|           | 25          | 4767-910      | frt./rear tent/drape track (All except Tacoma)               |
|           |             | 4773-805      | frt./rear cove extrusion - 4215 Tacoma                       |
| .10       | 26          | 4772A3871     | shower curtain i-beam track                                  |
|           |             | 4739-1201     | i-beam mounting brkt. m12                                    |
| .15       | 27          | 4772-6631     | curtain strap  |
| .15       | 28          | 4767-0111     | shower head brkt.  |
|           | 29          | 4759-1721     | shower light   |
| .15       | 30          | 4743A2501     | screen door latch & plate assy. (2 per pkg.)                 |
| .20       | 31          | 4728A5641     | tent retaining pkg.  |
| .05       | 32          | 4750-2891     | drape tab c-shape m60  |
| .50       | 33          | 4060100399P   | rubber top seal "sides" (40' package)                        |
| .50       |             | 4060100398P   | rubber top seal "frt./ rear" (16' package)                   |
|           | 34          | 4773-8101     | vent cover "plastic" - 4215 Tacoma                           |