

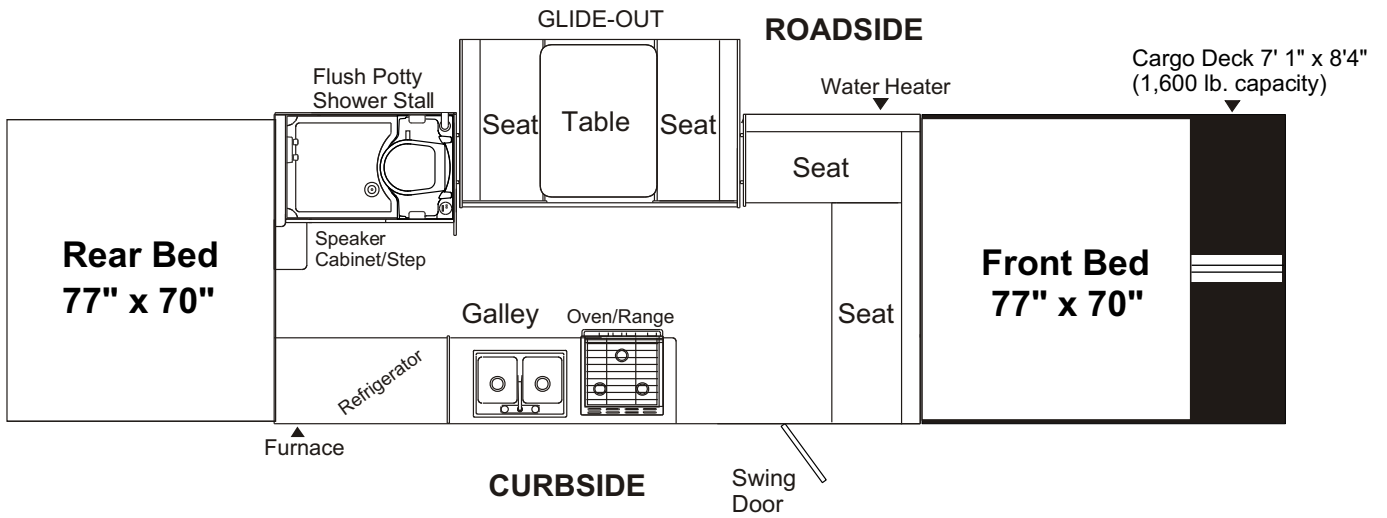


**2008**  
**Evolution Series**  
**Repair Parts Catalog**

**4245 E4 - 14'**

# 2008 Evolution Series

## 4245 E4 14'

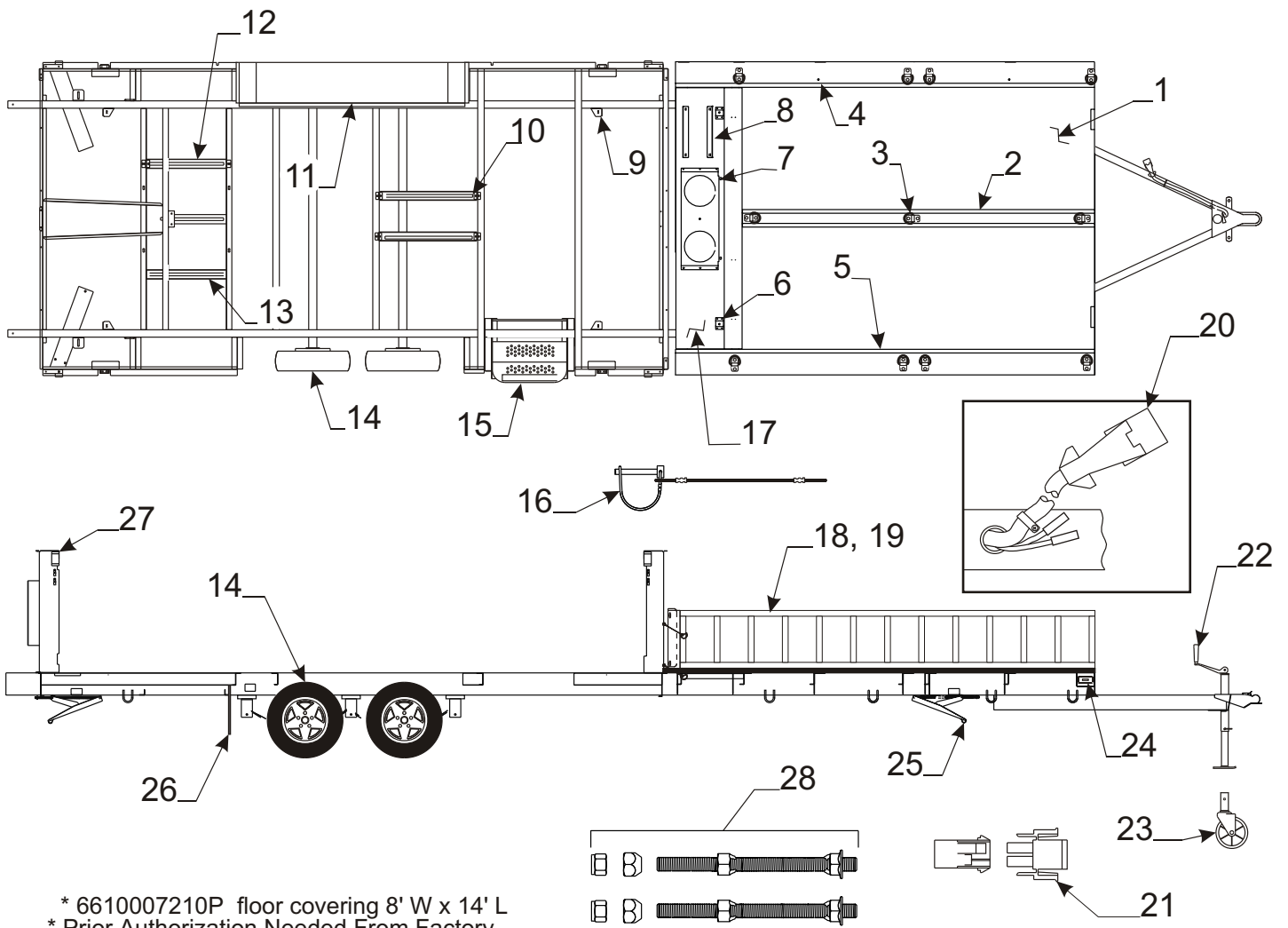


## TABLE OF CONTENTS

<u>DESCRIPTION</u>	<u>PAGE</u>
Access door key .....	26
Access door assembly & related parts .....	13
Auto extension .....	7
Axle assemblies & related parts .....	6
Backrest assemblies & covers .....	29
Bed assemblies.....	23
Bed extensions & related parts .....	23
Body panel right rear "curbside" .....	12
Body panel left side "roadside" .....	9
Body panel left side glide-out "roadside" .....	10
Body panel front & rear .....	8
Body panel right front "curbside".....	13
Bumper & related parts .....	8
Cabinet assy. <b>E1</b> (csf corner cabinet) .....	18
Cabinet assy. <b>E2, E3</b> (csr seat/cabinet) .....	17
Cabinet assy. "rsr galley cab." <b>E2</b> .....	16
Cabinet/Hutch assy. csr <b>E1</b> .....	15
Cabinet/Hutch assy. rs <b>E2</b> .....	19
Cabinet assy. rsr corner <b>E3</b> .....	18
Carbon monoxide detector .....	33
Caulking .....	7
Converter & related parts .....	21
Coupler assembly .....	2, 3
Crank-up/crank-down components .....	4
Crank handle .....	26
Cushion assemblies & covers .....	29
Cargo deck gates/rails .....	2, 3
Cargo tie down anchors .....	2, 3
Deck platform .....	2, 3
Door bulkheads .....	12, 13
Drain assy./drain hose (used on sinks) .....	14
Drape packages & related parts .....	29
Drawer assy. and components <b>E1</b> .....	18
Electric brakes & related parts .....	6
Faucet "galley" .....	16
Faucet "shower" .....	20
Faucet "outside faucet" .....	9
Fire extinguisher & components .....	19
Floor covering .....	2, 3
Frame assembly & related parts .....	2, 3
Furnace exhaust vent .....	9, 10
Furnace vent "interior" .....	16
Galley components <b>E1, E2, E3</b> .....	16
Gas detector .....	21
Gas hose (gas bottle hook-up) .....	27
Gas hose (RVQ grill hook-up) .....	27
Gas bottle mounting brackets .....	26
Gas quick disconnect (outside gas hookup) .....	27
Gas bottle cover (black vinyl) .....	27
Gas bottle & related parts .....	27
Gate/Ramp (loading ramps/gates) <b>E2, E3</b> .....	3
Glide-out components <b>E3</b> .....	10, 11
Glide-out tent bow/support <b>E3</b> .....	28
Grease cap (dust cap) .....	6
Hub assembly & related parts .....	6
Hutch assembly "curbside" <b>E1</b> .....	17
Hutch assembly "roadside" <b>E2</b> .....	19
Hutch/seat assy. "curbside" <b>E3</b> .....	17
Lift assemblies & related parts .....	5
Lift trim & miter covers .....	12, 13
Lug wrench .....	26
Mattress assemblies & covers .....	29
Mud flaps .....	2, 3

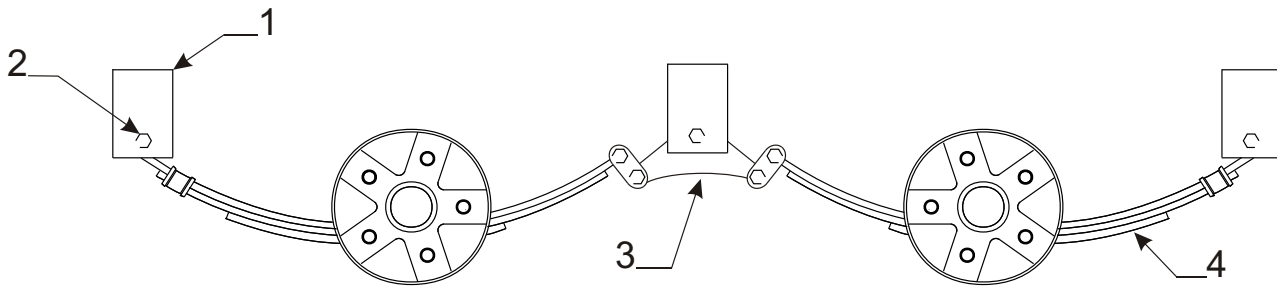
<u>DESCRIPTION</u>	<u>PAGE</u>
Paint (spray & quart can) .....	7
Paneling & trim .....	21
Parts package & components .....	26
Pigtail (car end) .....	2, 3
Potty "cassette" <b>E2, E3</b> .....	20
Power cord (converter) .....	21
Power lift components .....	31
Ramp/Gate (loading ramps/gates) <b>E2, E3</b> .....	3
Receptacle (exterior) .....	12
Receptacle (interior) .....	21
Refrigerator vents .....	9, 10
Regulator & fittings .....	27
Safety chains .....	26
Screen door & related parts .....	25
Seat bench component parts <b>E1, E2</b> .....	22
Shock kit .....	6
Shower curtain <b>E2, E3</b> .....	29
Shower curtain rod <b>E2, E3</b> .....	33
Shower stall w/potty components <b>E2, E3</b> .....	20
Shower stall cover board <b>E2, E3</b> .....	20
Sink & related parts .....	14
Spare tire cover (black vinyl) .....	2, 3
Spare tire mount & components .....	8
Speakers "interior" .....	17
Speakers "exterior" .....	12
Stabilizer assembly .....	2, 3
Stabilizer handle/lug wrench combo .....	26
Step (entry step) .....	2, 3
Stove components (galleys) .....	15
T.P. holder <b>E2, E3</b> .....	20
Table assemblies & related parts .....	15
Taillights (rear body panel) .....	8
Tent support assemblies & related parts .....	28
Tenting & related parts (sunbrella) .....	30
Thermostat (Hydro Flame) .....	21
Thrust bearing .....	4
Tie backs (curtains) .....	29
Tip-out, glide-out tent bow/support <b>E2, E3</b> .....	28
Tie down anchors .....	2, 3
Tire & rim .....	2, 3
Tire cover "black vinyl" .....	2, 3
Tongue jack & related parts .....	2, 3
Top assemblies & related parts .....	33
Water heater .....	24
Water faucet .....	16, 24
Water system & related parts .....	24
Wheel well .....	2, 3
Whiffletree & related parts .....	5
Zippers (tenting assemblies) .....	30

Axle/Brakes - Dexter .....	574/295-7800
Cassette Potty - Thetford .....	800/354-4135
Converter - World Friendship Co. ....	800/900-2468
Furnace - Hydro Flame #7916-11 .....	800/546-8759
Hand pump - Leisure Components.....	562/865-0401
Power Lift - Barker .....	888/367-6978
Refrigerator - Dometic .....	800/216-5115
Oven/Range - Atwood Greenbrier .....	800/646-8557
Stove/Grill - Vitco .....	877/825-8528
Tires - Kenda .....	800/225-4714
Water heater - Suburban #5031E .....	423/775-2131
Yakima bike rack - to obtain repair parts .	800/925-4621



\* 6610007210P floor covering 8' W x 14' L  
 \* Prior Authorization Needed From Factory

Flat Rate	Frame Code	Component Part #	Description	Flat Rate	Code	Part #	Description
1.00	1	4702-9141	frt. deck (x2) 96" x 34 3/4"	.10	16	4765-6101	snapper pin & cable
.50	2	4702-9111	center deck channel		17	4702-9201	deck tray
.10	3	4701-1571	tie down anchor x11	.50	18	4702A9151	cs/rs ramp/gate
.50	4	4702-9131	roadside side deck trim		19	4702-4061	ramp strap set (set of 2)
.50	5	4702-9121	curbside side deck trim	.50	20	4702A9161	front hinged gate
.10	6	4713-0721	bed pin/hat section assy.		21	4716-5871	wire harness repair kit 8' pc.
.50	7	4702-917	dual gas bottle tray			1201-8738	3/8" clamp
	8	4758-802	battery angle x2			1203C8721	steel rivet m25
.75	9	4732E3671	adjustable pulley brkt. x4			4742-8108	1 1/4" snap bushing
.50		4715A5371	pulley & bearing m10	.15	22	4716A4701	12 volt cap & plug m2
		4720C1578	short pin m4		23	4716A5001	12 volt power harness
		1204B1081	cotter pin m10	.25	24	4772B4221	center mount tongue jack
.20	10	4758B5391	water tank hanger x2	.05	25	4773-0421	caster wheel
2.00	11	4702-635	wheel well rs	.15	24	4714J08481	amber marker light
2.00		4702-636	wheel well cs	.10		4716A4571	amber lens (lens only)
		4060000689P	bulb seal (6' pc. pkg.)	.25	25	4701A2491	stabilizer assembly
.50	12	4773A6271	gray tank hanger x2			4766A053	tek screw (x4 per stabilizer)
.50	13	4773B6271	gray tank hanger x1			4761-2401	stabilizer crank handle
.25	14	4701A2388	tire & rim 15" star mag.			4800-6771	sand shoe kit (pkg. of 4)
.25		4763-1508	spare tire & rim 15" wht.	.20	26	4713-0051	mud flap pkg. rt./lt.
		4701-5671	15" vinyl tire cover	2.00	27	Note:	must contact factory for this item
.50	15	4701A5341	double step	.25	28	4741B5791	spare tire bolt pkg.

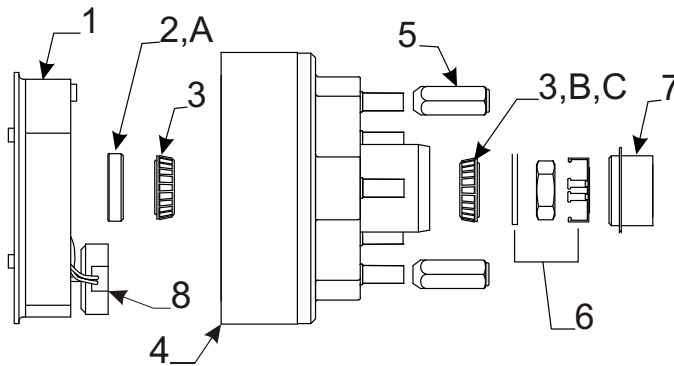


4702-6321 10" brake axle assy. x2 - E4 1.25 Axle Assy. Flat Rate

**NOTE: Refer to Dexter Axle for required part(s)/service phone - (574) 295-7888**

Flat Rate	Code	Part #	Description
	1	<b>Note: spring shackles must be ordered through Dexter</b>	
.25	2	4737A1318	shackle bolt
		4741-9498	shackle bolt nut
.50	3	4773-2801	suspension kit
	4	<b>Note: leaf springs must be ordered through Dexter</b>	

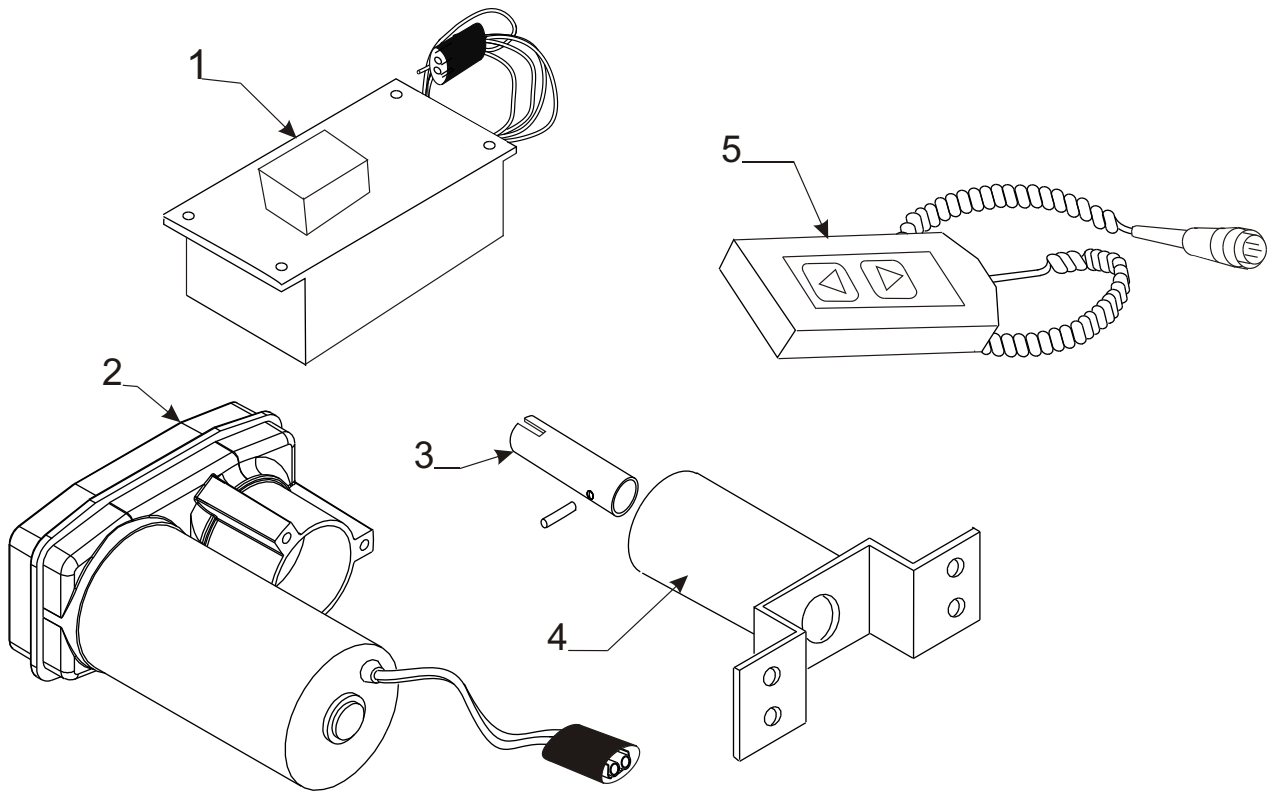
\* Prior Authorization Needed from Factory



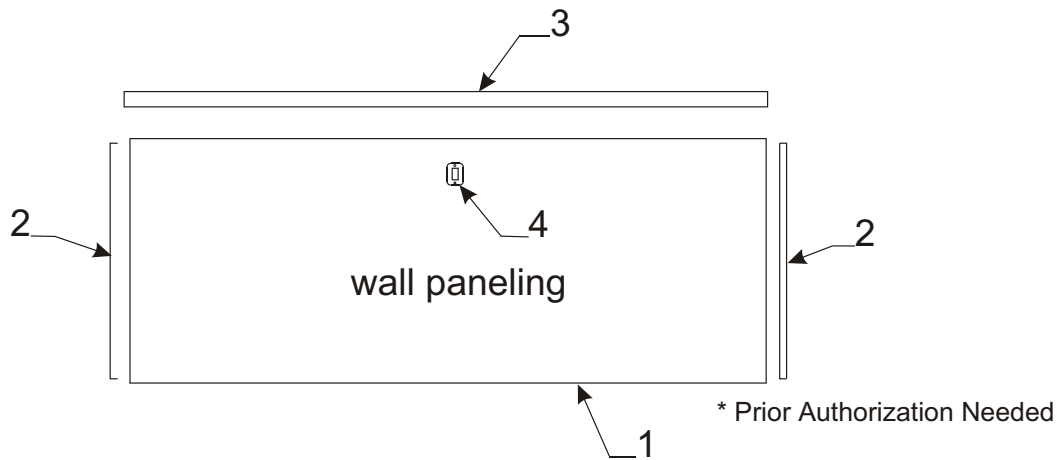
FR	Code	Part #	Description
<u>Flat Rate .50 Per Side</u>			
<b>Electric Brake Pkg. 10" x 2 1/4" (4714J2011) - E4</b>			
.50	1	4716-6251	10" brake assembly (right hand)
.50		4716-6261	10" brake assembly (left hand)
.50	2	4716-1441	10" grease seal x1 m4
.50	3	4716-1451	10" bearing, race & seal pkg.
.30	4	4716-1431	10" hub & drum x2
.05	5	4772A3601	lug nuts "stainless steel" m5
.10	6	4714A3061	retainer package
.05	7	4714C0621	EZ lube grease cap m4
.40	8	4716-2881	10" magnet, spring & clip pkg.

**Crossover Numbers To Purchase Locally**

- A** 171255VB Grease Seal
- B** L44649 Bearing "outer"  
L68149 Bearing "large inner"
- C** L44610 Race "outer"  
L68111 Race "inner"



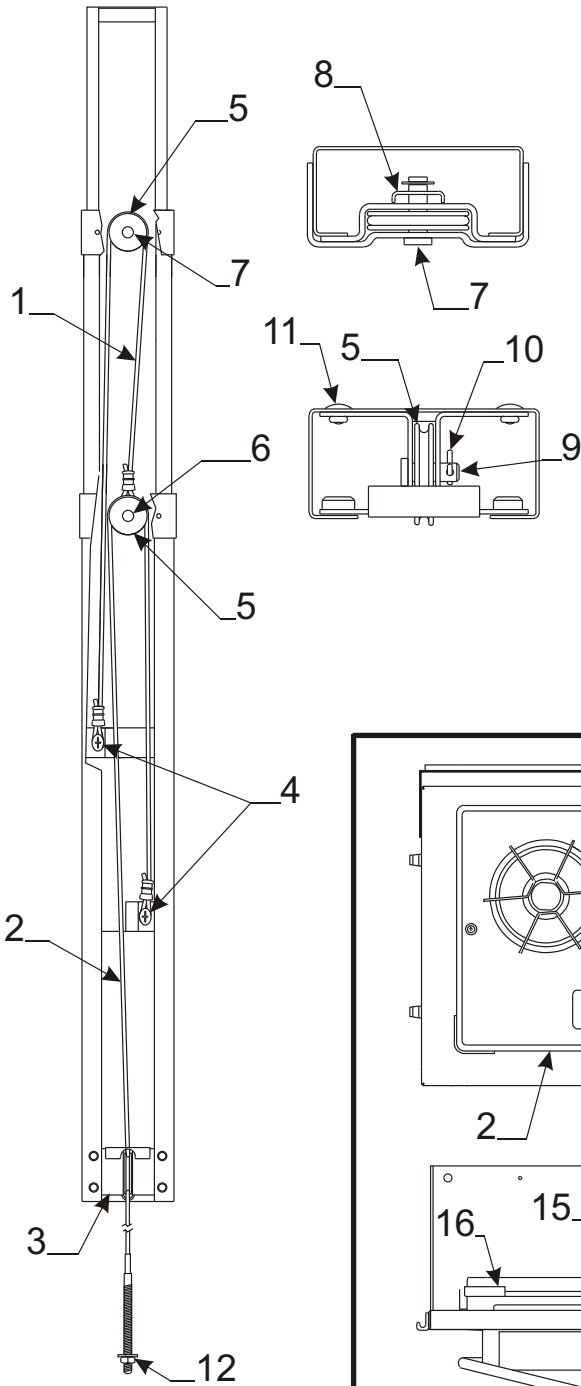
Flat Rate	Code	Part #	Description
.25	1	4768A0681	current limiter
1.50	2	4767B6461	power head motor
1.50	3	4768-0661	4" adapter and pin
1.50	4	4768-0671	mounting weldment
.05	5	4768A0691	hand controller



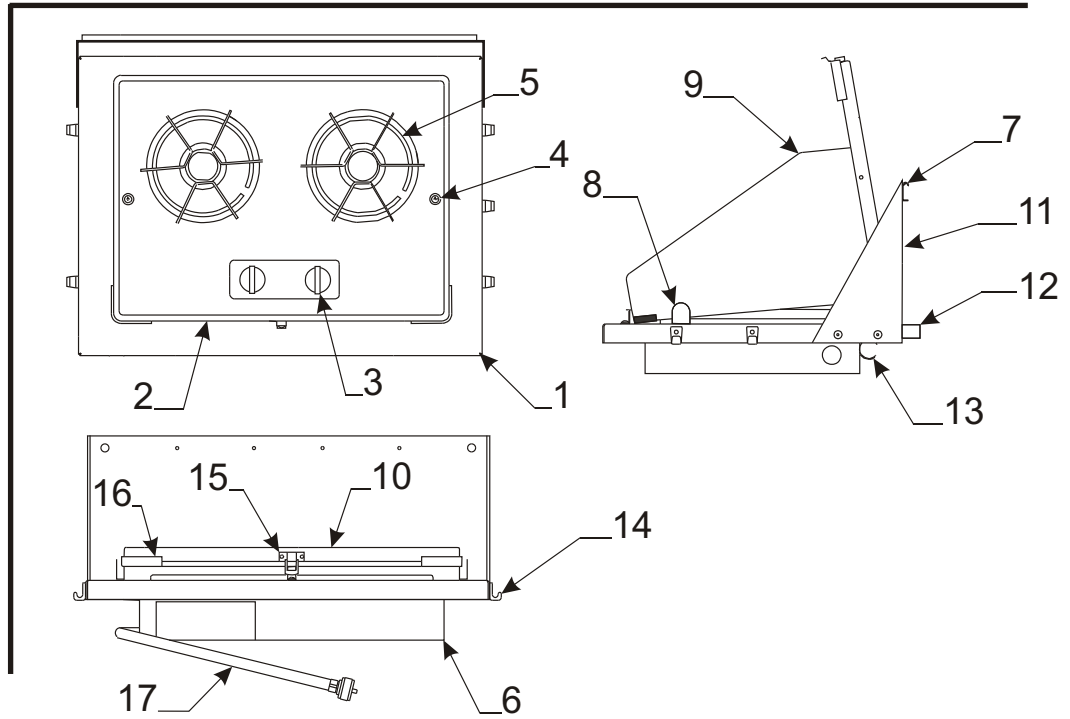
Flat Rate	Code	Part #	Description
*	1	6010415698P	wall panel 48" x 48"
*	2	4064700378P	corner divider m2 48" pc.
	3	4064700066	luan batten strip "black" 96" pc.
.20	4	4701-1461	kill switch "black"
	5	4060000084P	3/16" sponge gimp "black" (20' pc. pkg.)
		4064700037P	large gimp "black" (20' pc. pkg.)

### Flat Rate 1.25

4772A5091 lift assy. roadside rear/curbside front - E4  
 4772A5101 lift assy. roadside front/curbside rear - E4

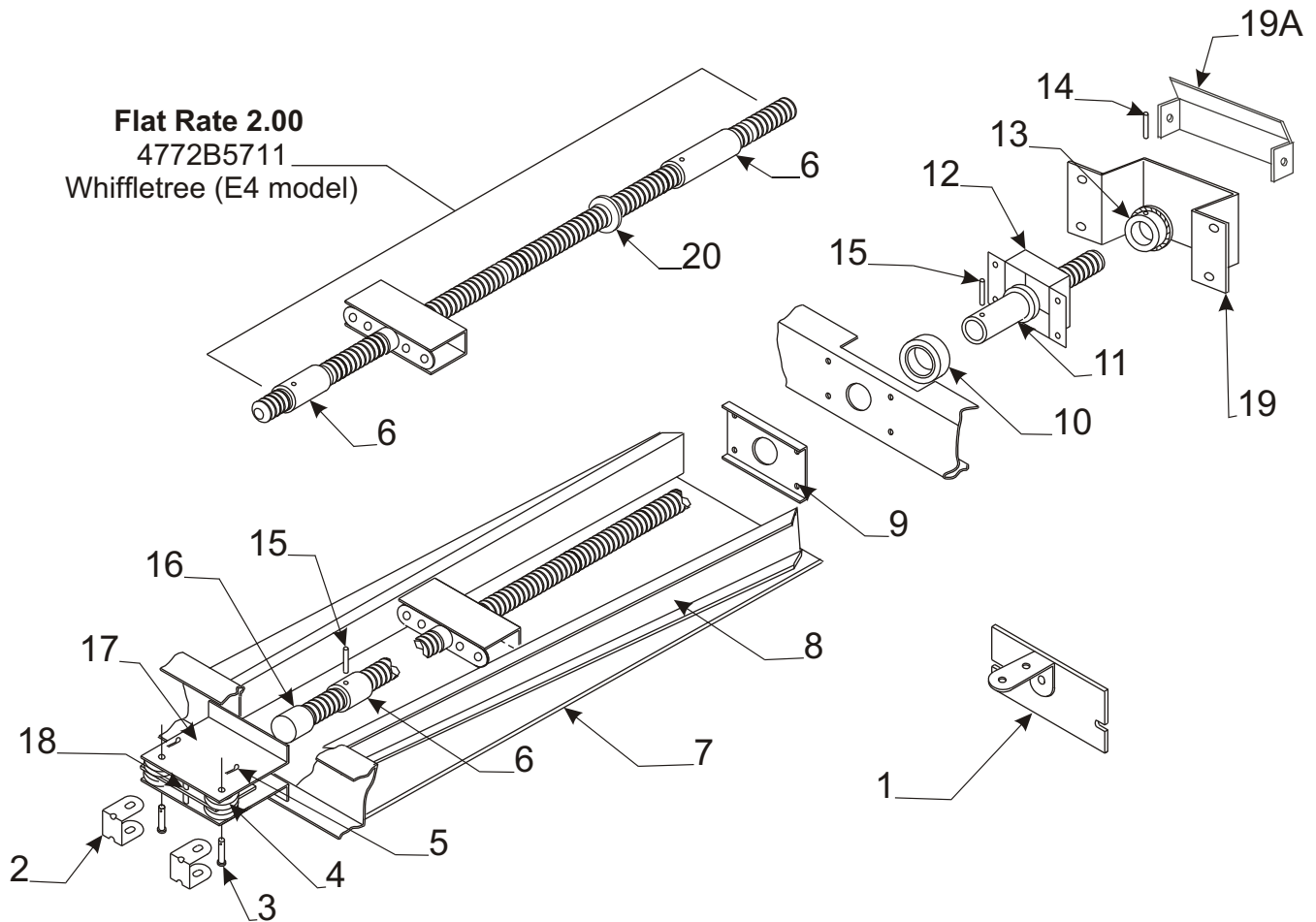


Flat Rate	Lift Assembly Code	Component Part #	Description
.75	1	4720D5271	cable assy. x1 m2
		4720C1691	cable crimp m20
1.25	2	4773A2291	225 3/4" long cable & crimp
		4744-1318	copper cable crimp m10
1.25	3	4731C5801	butterfly bracket assy.
.05	4	4749-2081	screw m6
.50	5	4715A5371	steel pulley & bearing m10
.25	6	4747-8931	long pin x2
		4730B0981	retaining ring m12
.25	7	4749-4061	short pin m4
		4730B0981	retaining ring m12
.25	8	4749A2028	retaining clip
.45	9	4720C1578	lift pin m4
	10	1204B1081	cotter pin m10
	11	1203-8641	rivet m25
	12	1201B6378	1/4" lock nut
		1202E0408	washer



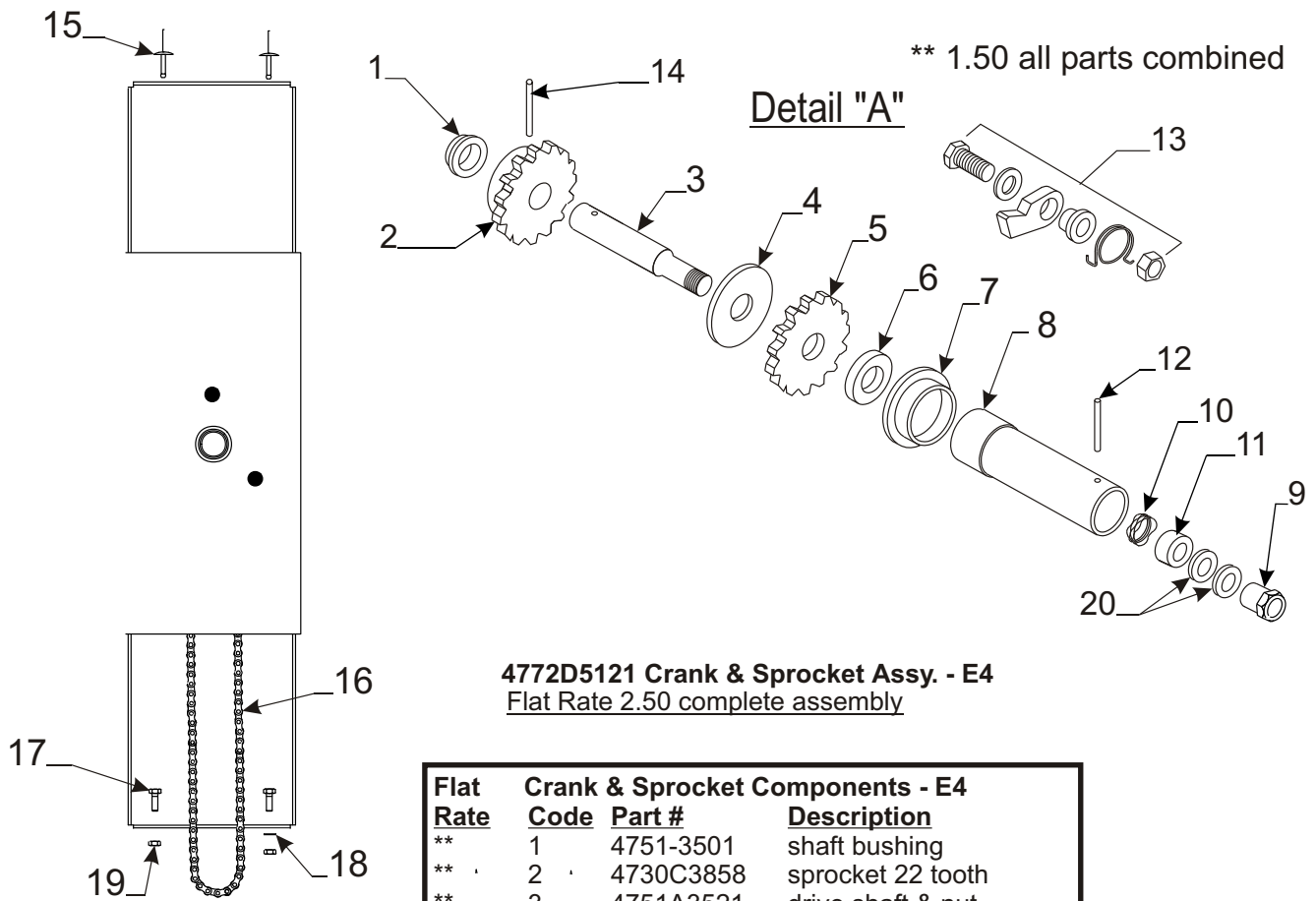
H. P. Outside Stove Assy. E4 - 4773B5851  
 Vinyl H. P. Stove Storage Pouch - 4773-5861

HP Outside Stove Components - E4				FR	Code	Part #	Description
.60	1	4773G0791	stove frame	.15	10	4713-0711	stove cover assy.
.15	2	4713-0671	2 burner cook top	.05		4742-9538	h.p stove decal
.15	3	4713-0681	stove knob		11	4773A080	stove back brkt.
.05	4	4716A0881	screw/washer m2	.10	12	4766-0121	nylon spacer
.05	5	4752A9881	grate x2	.15	13	4734-2431	gripper clip m4
.75	6	4713-0711	stove box	.15	14	4720E4021	lashing hook m6
.25	7	4773-0811	stove hanger bracket	.15	15	4733-4018	latch
.15	8	4716A2641	fin stay brkt. M2	.15		4733-4028	latch strike
	9	<b>Note: Item not sold separately</b>		.05	16	4732A2291	edge molding m2
				.25	17	4746A9891	gas hose

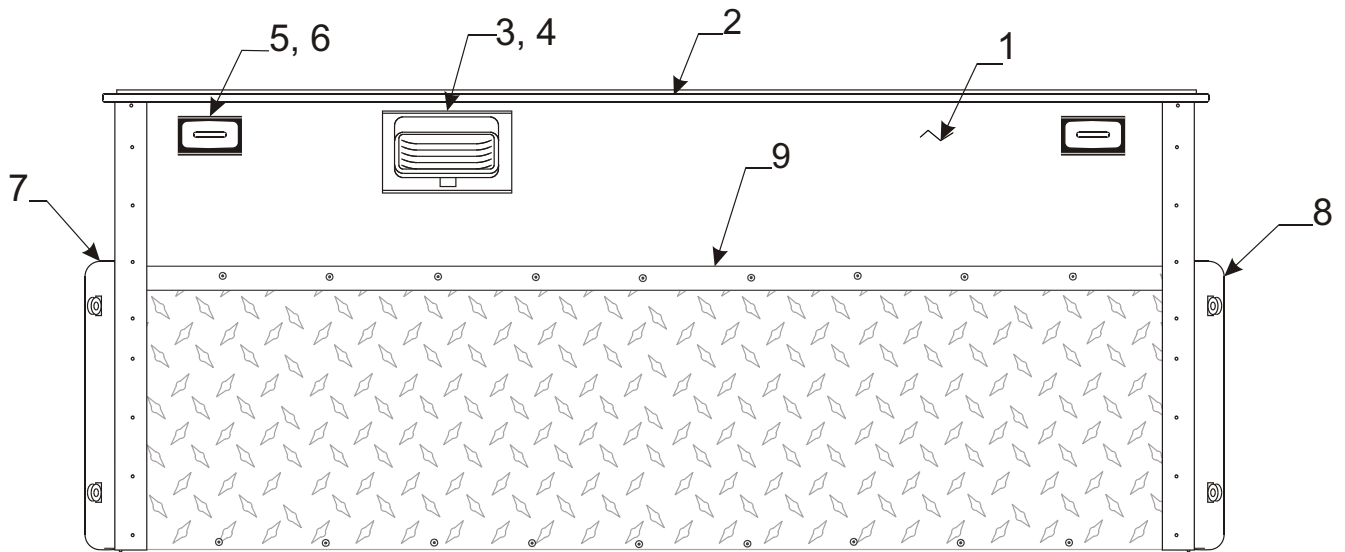


Flat Rate	Code	Part #	Description
.15	1	4749A821	mud flap & brkt.
.50	2	4744B1741	cable retainer x2
.20	3	4720J1561	long pin m4
.50	4	4715A5371	pulley & bearing m10
.10	5	1204B1081	cotter pin m10
1.60	6	4773-8801	bushing 2 1/4"
1.60		4772A184	bushing 3"
.25	7	4752C4921	whiffletree pan cover
.25	8	4720F237	pan cover side (welded)
.15	9	4720C2418	plate
1.50	10	4720B2421	thrust nut bearing
1.50	11	4720B2388	thrust nut
1.50	12	4720B2408	bearing housing
1.00	13	4730C3848	sprocket 12 tooth
.10	14	4720D1481	roll pin m10
1.00	15	4744B1301	shear pin m10
2.00	16	4730D1291	screw socket (welded)
2.00	17	4720-1551	pulley plate
.50	18	4715D5661	pulley spacer
	19	4772-3661	chain cover
	19A	4772B3171	chain cutout cover

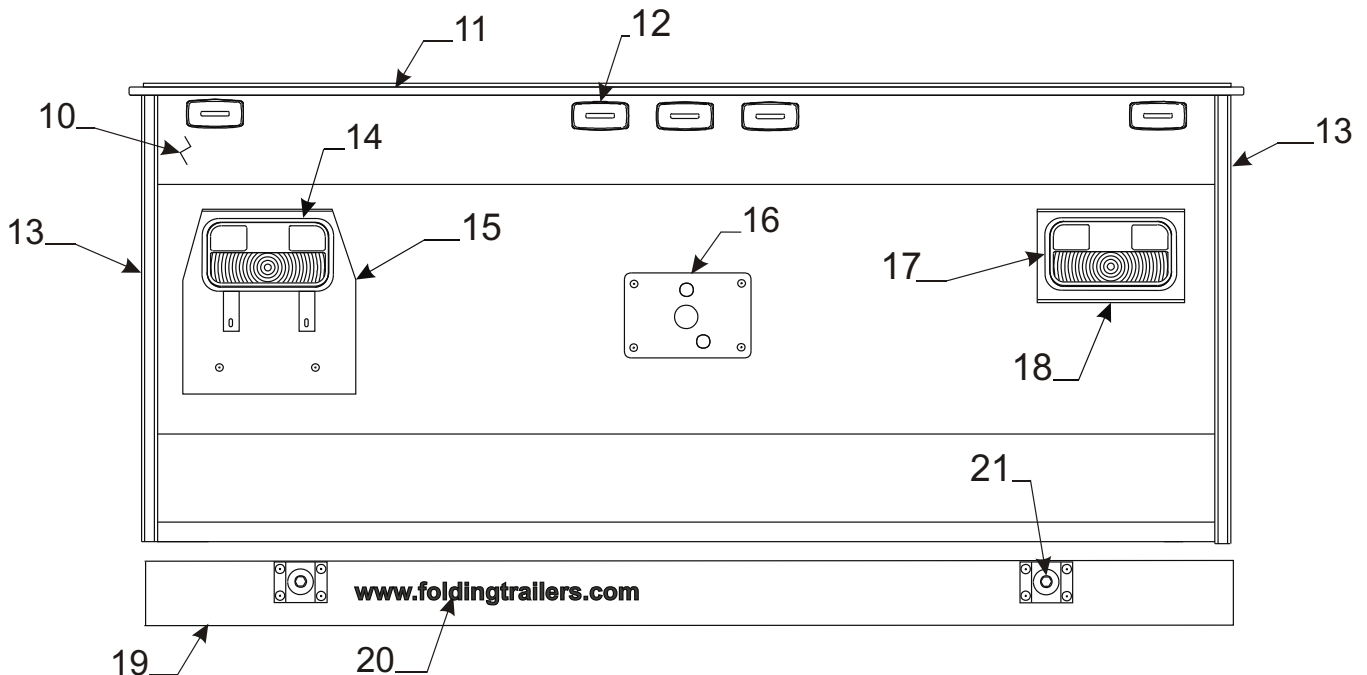


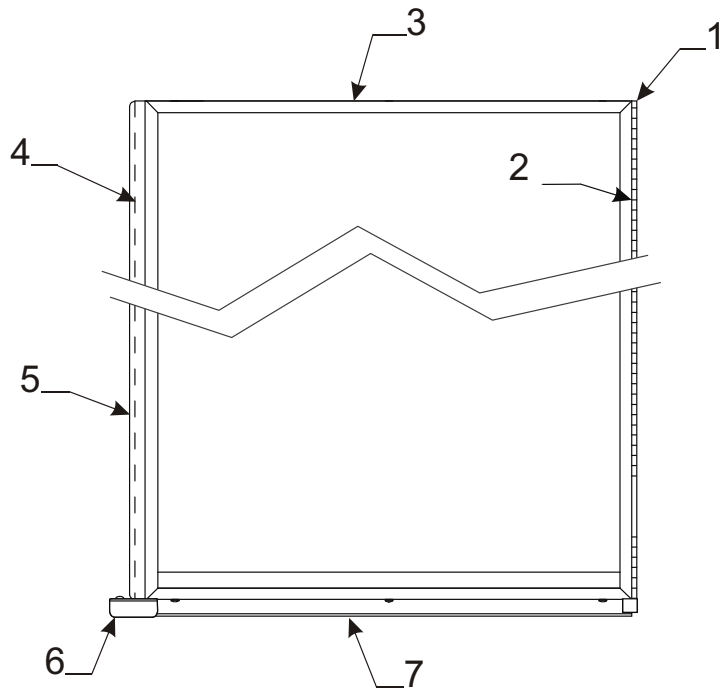


Flat Rate	Crank & Sprocket Components - E4		
	Code	Part #	Description
**	1	4751-3501	shaft bushing
**	2	4730C3858	sprocket 22 tooth
**	3	4751A3521	drive shaft & nut
**	4	4751-3561	pressure plate
**	5	4751-4831	ratchet wheel
**	6	4751-3581	pressure washer
**	7	4751A3591	shaft bushing
.75	8	4716A1741	drive hub extension pkg.
<b>Note: package includes parts marked w/asterisk (*)</b>			
	9	*4751B3551	5/8" nut
	10	*4752-3921	handle spring m2
	11	*4751-4671	nylon washer
	12	*4747A9451	spiral roll pin m6
.60	13	4716-1221	ratchet pawl package
	14	4759-0621	1 1/2" shear pin m10
	15	1203C8721	rivet m25
1.50	16	4759-8031	chain (w/connecting link)
		4730A3811	connecting link
	17	4731-3878	hex head bolt x2
	18	1202B0438	washer
	19	1201B6038	hex head nut
**	20	*4757-3938	washer x2



Front & Rear Body Panel Components - E4				FR	Code	Part #	Description
2.50	1	4702-6391	front body panel	.15	12	4714J08581	red marker light
.75	2	4754D8681	front end rail	.10		4716A4561	red lens (lens only)
		1203-8651	rivet x5 m25			<b>Note: refer to code # 3 for hardware</b>	
.25	3	4702-0251	cargo light "black"	.30	13	4702-4541	csr/rsr corner trim
.10		4716A1341	clear lens			4733-4138	tek screw x10
.25	4	4701-9711	deck light shield	.20	14	4060400097F	vinyl screw cover (sold/ft)
.15	5	4714J08481	amber marker light	.10	14	4765-3511	taillight w/license holder
.10		4716A4571	amber lens (lens only)	.20	15	4716A1061	taillight lens
.25		4733H1311	socket & harness	.20	15	4702-4931	taillight shield lt.
.25		4747-2558	expansion rivet m25	.20	16	4733G0601	rivet "black" m25
.25		4701-0581	marker light shield	.20	16	4772B3811	panel cover plate
.15	6	4701-1728	shield gasket	.20	17	4749B4321	taillight
.30	7	4702-6981	corner angle assy. csf	.10		4716A1051	taillight lens
.30	8	4702-6971	corner angle assy. rsf	.20	18	4747-2558	expansion rivet m25
		4733G0601	rivet "black" m25	.30	19	4702-4941	taillight shield rt.
		4758-9921	tek screw "black" m12	.05		4702-6311	bumper
.25	9	4702-4521	trim cap "black"	.05		4766-8961	bumper end cap (cs)
		4733G0601	rivet "black" m25	.10	20	4766A8961	bumper end cap (rs)
1.50	10	4702-4951	rear body pnl.	.10	20	4767-0888	www.com decal
.75	11	4772D0261	rear end rail	.10	21	4716-0671	bed leg pin & hat brkt.
		1203-8651	rivet m25				

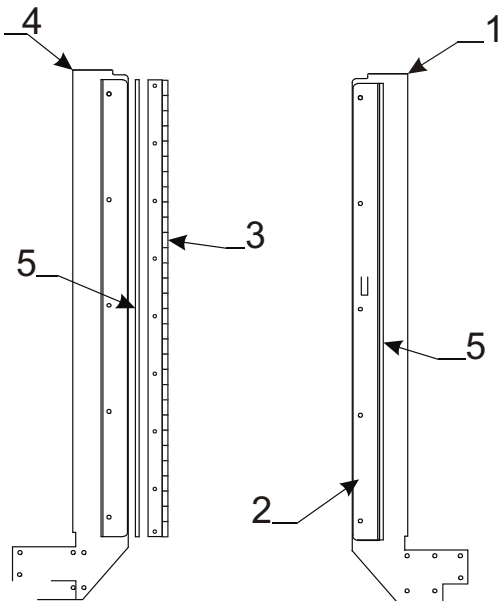




**4702-6371 Access Door Assy. - E4 F.R. .50**

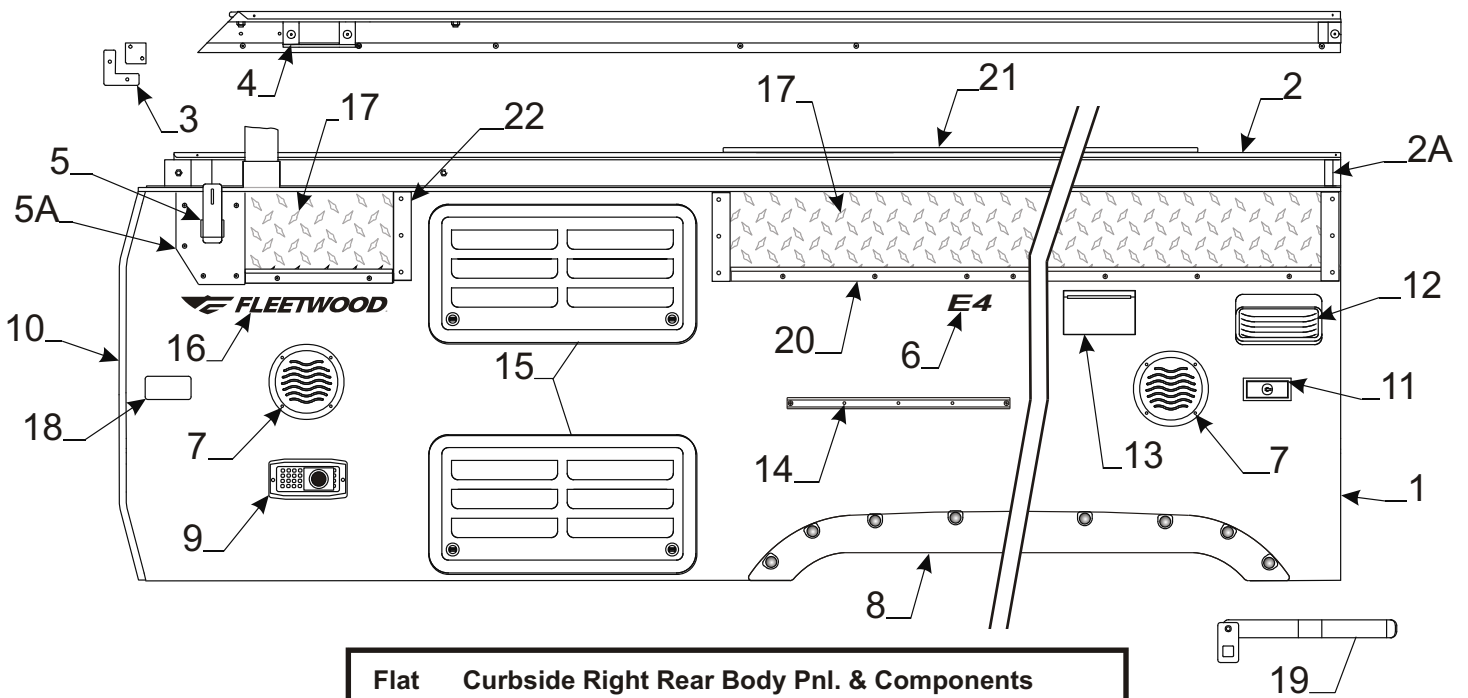
**Access Door Assembly Components - E4**

FR	Code	Part #	Description
.25	1	4702-4601	door hinge
.35	2	4702-6111	door frame
.25	3	4701-0891	door cap
.25	4	4702-4621	door frame
.20	5	4060000402P	d-seal pkg. (6' pc.)
.25	6	4702-390	filler bracket
		4716-081	screw x2
.25	7	4701-0921	bottom trim
		4745-3968	screw x2

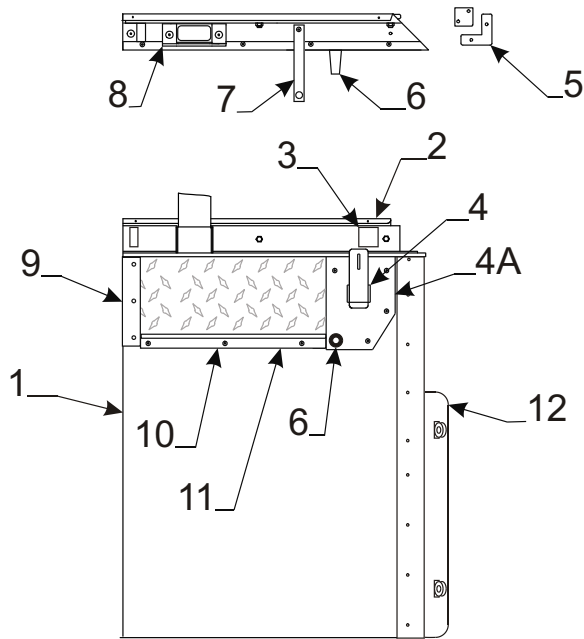


**Flat Door Bulkheads & Components**

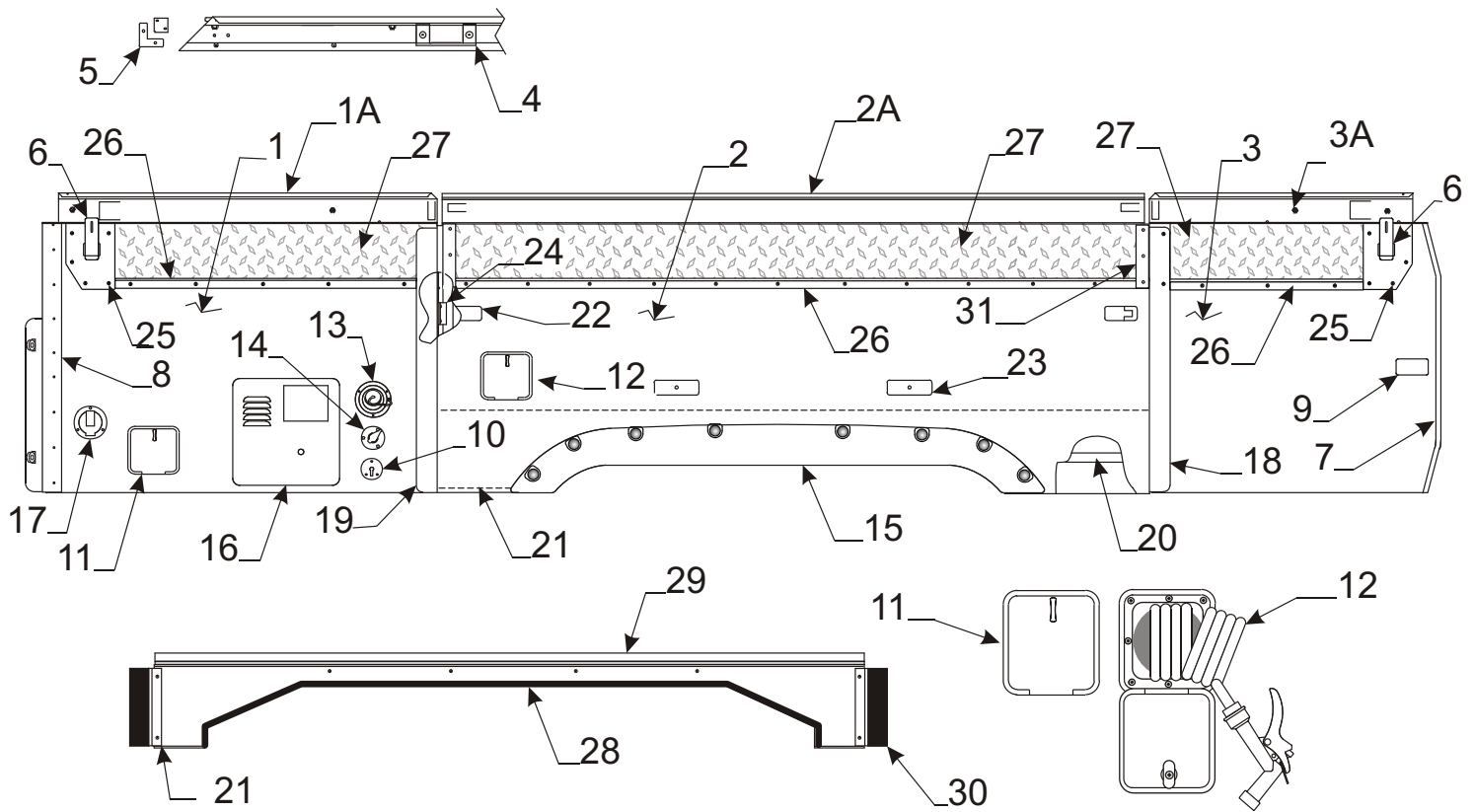
Flat Rate	Code	Part #	Description
1.25	1	4702-6421	csr bulkhead
.35	2	4702-4791	door seal angle
		4733G0601	rivet m25 "black"
.25	3	4702-4601	door hinge
1.25	4	4702-6411	csf bulkhead
	5	4350000058F	foam tape (sold/foot)



Flat Rate	Code	Part #	Description
1.00	1	4702-480S1	csr body panel
1.00	2	4702-4811	csr body rail
.10	2A	4716-2771	vel-stick body rail pkg.
.15	3	4716-7061	inner/outer miter cover pkg. m4
.25	4	4734F4121	lift trim, rivets & gasket pkg. m4
		4733-3398	nylon flange bushing x2 per trim
.15	5	4701-0951	top latch w/out lock tab
		4767-1701	1 1/2" tek screw m12
		4749-4848	foam pad
.25	5A	4701A0701	top latch plate
		4733G0601	rivet "black" m25
.25	6	4772C1878	E4 name decal
.15	7	4702-2051	outside speaker "black"
		4744B4611	expansion rivet m25
.25	8	4702-4831	wheel well trim
		4702-4831	chrome snap cap m12
.10	9	4741C9471	furnace vent 8"
.30	10	4702-4541	csr/rsr corner trim
		4733-4138	tek screw x10
		4060400097F	vinyl screw cover (sold/ft)
1.00	11	4730C3111	lock handle (with key)
.25	12	4701-0631	porch light
.10		4716-5511	porch light lens "amber"
.25	13	4701-1091	duplex cover & outlet
.35		4746-3871	duplex box
.25	14	4702-4841	stove mounting bracket
.50	15	4701-2321	reefer vent & trim x2
.10		4716-4441	reefer vent clasp m4
.25	16	4701-2628	Fleetwood decal
1.00	17	4701A9871	diamond plate (must cut to size)
.15	18	4714J08581	red marker light x4
.10		4716A4561	red lens (lens only)
1.00	19	4772A6411	latch & lever
.25	20	4701-9831	trim (must cut to size)
.25	21	4737B2211	drrape track 35 1/2"
		1203-8671	rivet m25 (affix track to rail)
.15	22	4701A0691	end trim

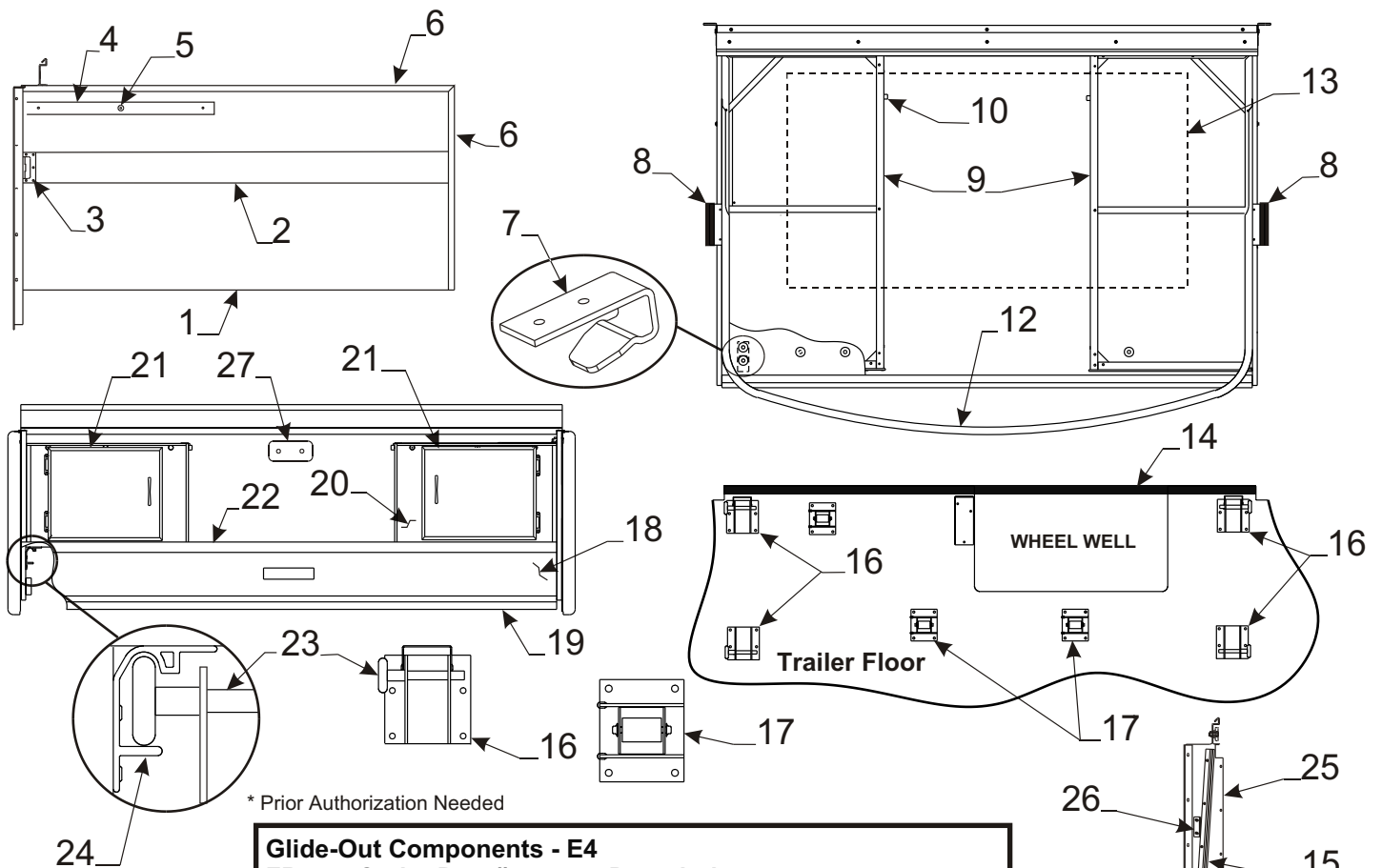


<u>Flat Rate</u>	<u>Code</u>	<u>Part #</u>	<u>Description</u>
	<b>Curbside Right Front Body Pnl. &amp; Components</b>		
.85	1	4702-478S1	csf body panel
1.00	2	4702-4771	csf body rail
.10	3	4716-2771	vel-stick body rail pkg.
.15	4	4701-0951	top latch w/out lock tab
		4767-1701	1 1/2" tek screw m12
		4749-4848	foam pad
.25	4A	4701A0791	top latch plate
		4733G0601	rivet "black" m25
.15	5	4716-7061	inner/outer miter cover pkg.m4 <b>Note: pkg. Includes rivets</b>
.10	6	4701-1851	rubber bumper
.10	7	4701A5251	door strap
.25	8	4734F4121	lift trim, rivets & gasket pkg. m4
		4733-3398	nylon flange bushing x2 per trim
.15	9	4701A0691	end trim
.25	10	4701-9831	bottom trim (must cut to size)
1.00	11	4701A9871	diamond plate (must cut to size)
.30	12	4702-6981	corner angle assy. csf
		4733G0601	rivet "black" m25
		4758-9921	tek screw "black" m12



**Roadside Left Body Panel & Components - E4**

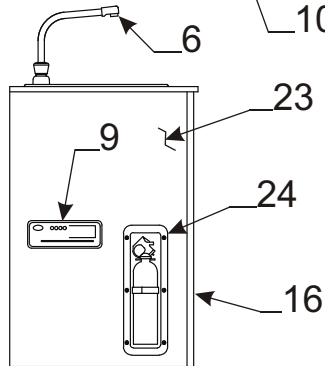
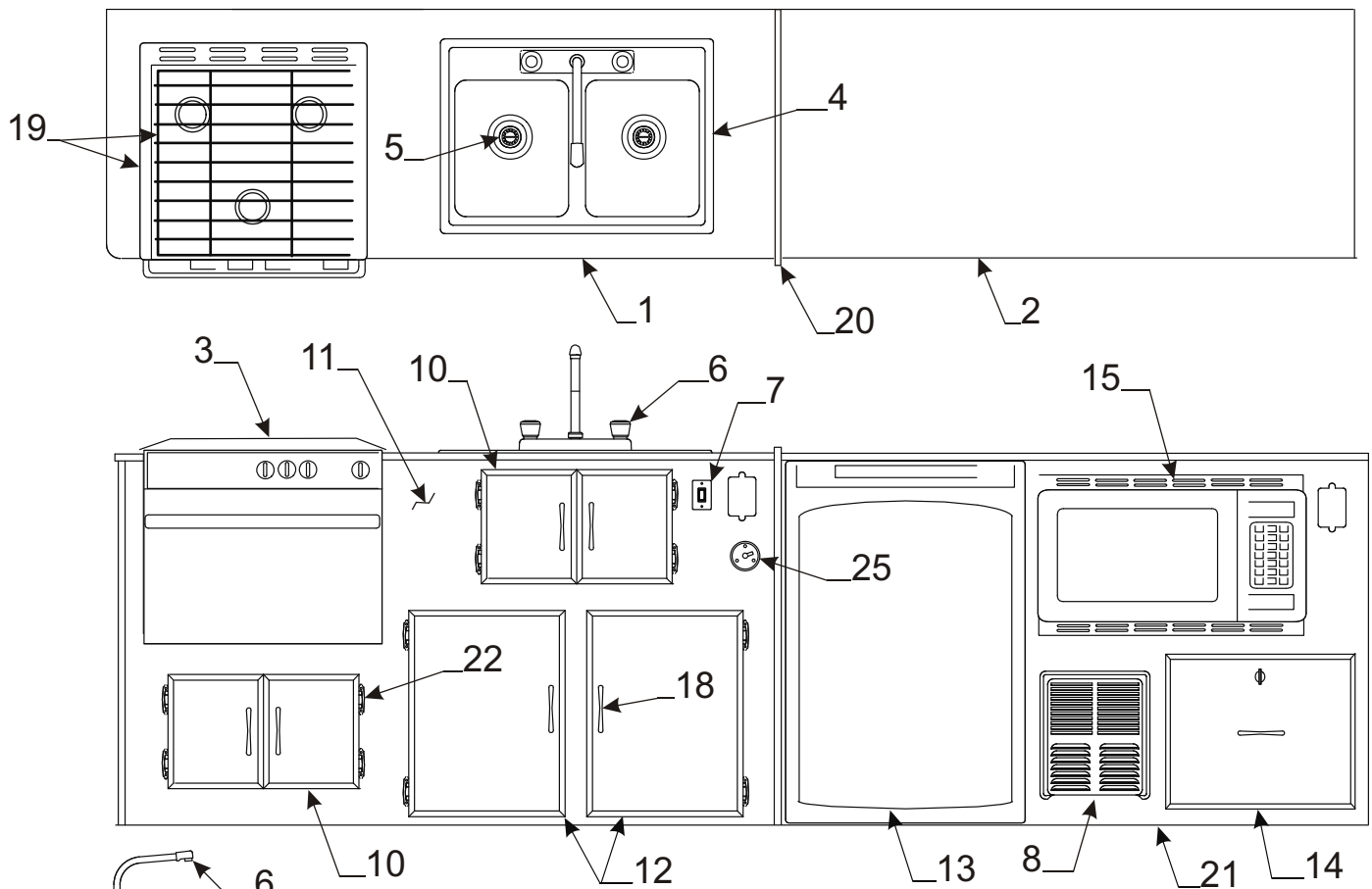
FR	Code	Part #	Description	Rate	Code	Part #	Description	
2.00	1	4702A490SX1	rsf body panel	.30	13	4701-0771	water tank spout	
3.00	1A	4702-4871	rsf body rail			4741-3508	hex head tek screw x3	
1.00	2	4702-6911	g/o body panel	.30	14	4701-0781	city fill	
.75	2A	4756A9951	g/o body rail	.25	15	4702-4831	wheel well trim	
1.50	3	4702-497S1	rsr body panel			4739F2901	chrome snap cap m12	
1.00	3A	4702-4921	rsr body rail	.25	16	4701-2391	water heater door	
.10		4716-2771	vel-stick body rail pkg.	.15	17	4701-0761	cable hatch	
		4757-0731	wire grommet & nut	.25	18	4702-8791	angle seal "rear"	
.25	4	4734C4121	lift trim/gasket pkg. m4	.25	19	4702-8781	angle seal "front"	
.15	5	4716-7061	miter cover pkg. m4			4060000402P	d-seal pkg. "black" (5' pc.)	
.15	6	4701-0951	top latch w/lock tab	.20	20	4756-2651	L- channel 48" pc	
		4767-1701	1 1/2" tek screw	1.25	21	4702-686	cover plate assy.	
		4749-4848	top latch foam gasket	.75	22	4755-4091	latch & gasket	
.30	7	4702-4541	csr/rsr corner trim	.75	23	4756-1181	pull handle	
		4733-4138	tek screw x10			4738-2608	tek screw "black"	
		4060400097F	vinyl screw cover (sold/ft)	.75	24	4756B4171	strike w/screws	
.30	8	4702-6971	corner angle assy. rsf	.25	25	4701A0791	top latch plate	
		4733G0601	rivet "black" m25			4733G0601	rivet "black" m25	
		4758-9921	tek screw "black" m12	.25	26	4701-9831	bottom trim	
.15	9	4714J08581	red marker light	1.00	27	4701A9871	diamond plate	
.10		4716A4561	red lens (lens only)			28	4060000689P	bulb seal "blk" (6' pc. pkg.)
.25	10	4757A4871	coax outlet	.25	29	4064700589P	wipe seal (8' pc. pkg.)	
.30	11	4701-2401	faucet & hatch assy.		30	4756C201	nylon brush seal x2	
.30	12	4701-2411	hose storage container	.15	31	4701A0691	end trim	
.15		4701-2421	coiled hose & nozzle					



\* Prior Authorization Needed

#### Glide-Out Components - E4

FR	Code	Part #	Description
*	1	4702-6881	rear g/o side panel
*		4702-6871	front g/o side panel
.50	2	4702-2021	ABS ware strip x2
.15	3	4756D2161	lock boot w/cover plate x2
.25	4	4754-3811	vel-stick (must cut to size)
.50	5	4730A3548	stud w/screw x2
.20	6	4060056204P	3/8" U-channel 48" pc.
.50	7	4756-1201	glide-out catch x2
.10	8	4756A1151	5 1/2" brush seal x2
	9	4702-515	side glide-out bench frames x2
.05	10	4724-2608	stop button "plastic"
.15	11	4702-489	filler angle rsf
.15		4702-491	filler angle rsr
.10	12	4756C2071	glide-out tent bow
1.25	13	3568803202P	ware plate "galvanized" 30" x 55"
1.25	14	4702-686	cover plate assy.
.35	15	4702-4851	seal track rsf
.35		4702-4861	seal track rsr
1.00		4066500049P	sweep seal "black" (8' pc. pkg.)
1.25	16	4756C6591	outer tower x4
1.25	17	4756-6651	inner tower w/roller assy. x3
.25	18	4702-5511	wood kick plate assy.
.50	19	4702-1661	floor sweep
.50	20	6010415696P	wood paneling 48" x 48"
.15	21	4702A1071	door panel 12" x 16"
.50	22	4702-1651	edge cap 71" "black"
.75	23	4756-1161	glide-out roller x4
	24	4756A1251	glide-out roller track x2
1.65	25	4702-6461	g/o bulkhead rsf
1.65		4702-6471	g/o bulkhead rsr
.75	26	4756B4171	strike w/screws
.15	27	4772-4561	table rest block "plastic"

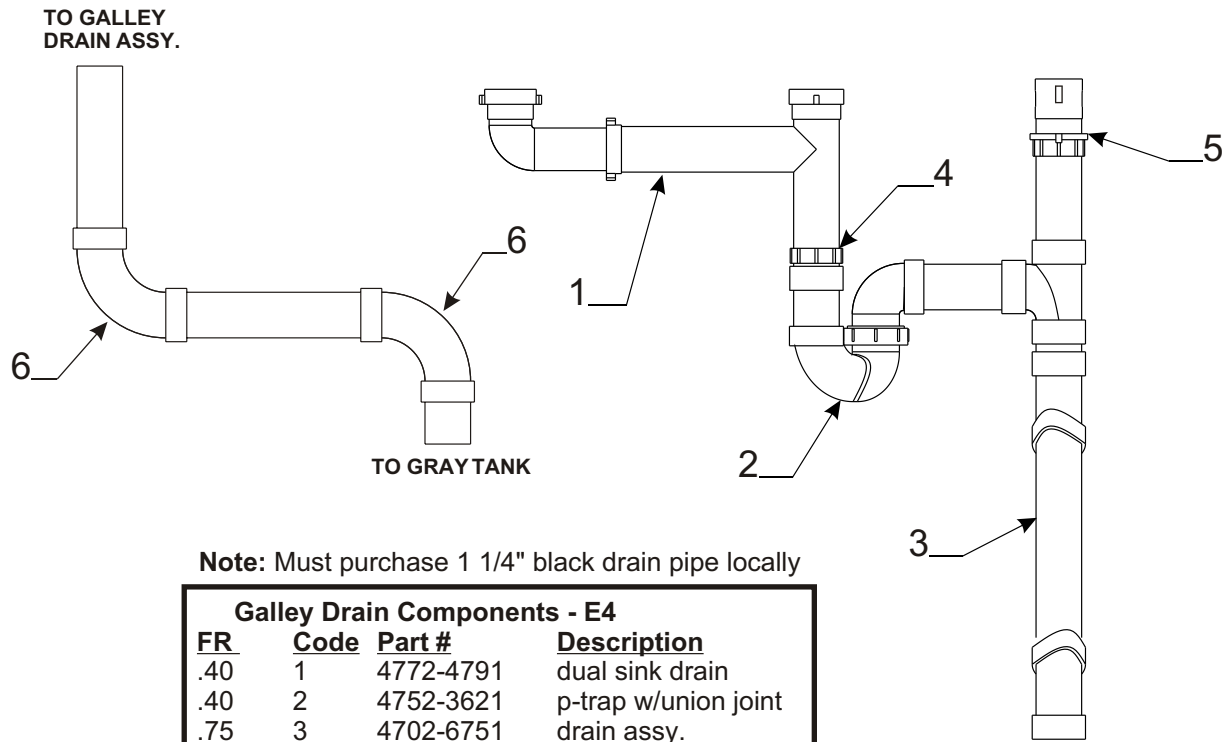


\* Add .50 with heater

#### Galley Components - E4

FR	Code	Part #	Description
1.00	1	4702-8591	galley top (sink/oven)
1.00	2	4702-8511	galley top "right"
.30	3	4772B5701	oven/range cover assy.
.80	4	4768-1851	dual sink
.25	5	4730E3151	crumb cup & basket
.05		4714C0661	crumb cup
1.00	6	4765B1941	faucet
.20	7	4733C4981	rocker switch
.10	8	4743A3551	furnace grill
.50	9	4765C1121	cd radio
.50		4765A1141	wire antenna w/plug
.15	10	4701A1481	door panel 9 1/8" x 12"
.15		4733-6391	latch & strike pkg.
*1.00	11	4702-8581	galley front lt.
.15	12	4701A4671	door panel 14 1/4" x 18 1/2"
.20		4755-4471	spice rack
.75	13	4773-139	refrigerator 4.2 cu. ft.
.50		6010415698P	reefer door wood panel
.15	14	4702-86961	drw. frt. pnl. 17 1/4" x 15 1/8"
.10		4702-6841	drawer assy.
.20	15	4773-0601	microwave
		4773-0681	microwave trim kit
.65	16	4064737503P	3/8" f-channel 48" pc.
.25	17	4757A4871	coax out-let
.10	18	4755B2681	door pull
.05	19	4716-2901	3 br. range/oven grate
.10		4716A2911	3 br. range/oven cook top
.50	20	4702-8501	galley gazoodi
.30		4064700091P	t-molding
1.00	21	4702-8531	galley front rt.
.10	22	4762-4878	hinge
.50	23	4702-8571	galley side
.15	24	4701-1321	recessed mount
		4701-1331	screw m12
.10		4737A5558	fire extinguisher
.05		4716-1191	fire extinguisher strap m2

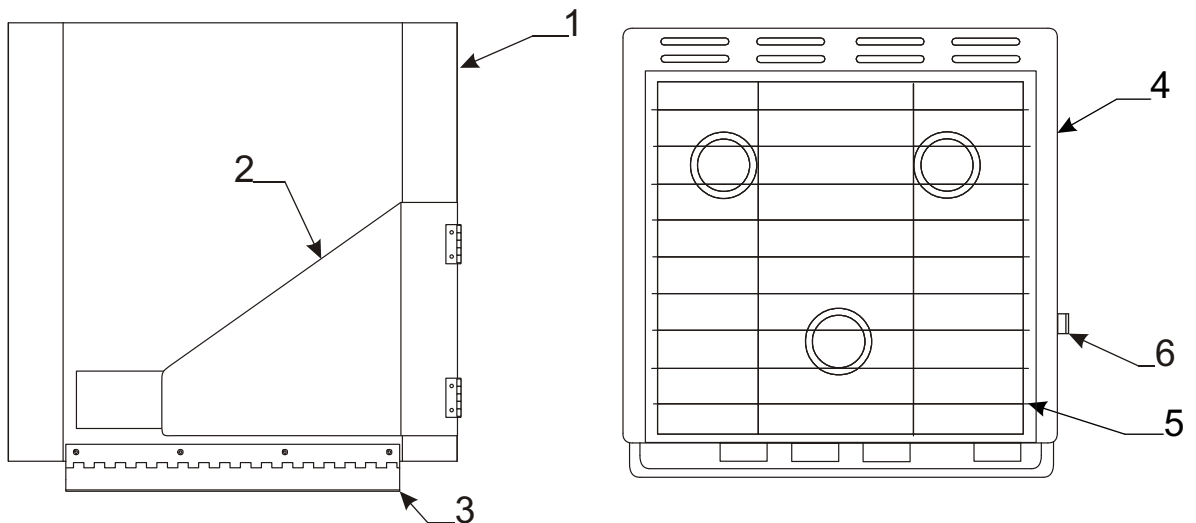




**Note:** Must purchase 1 1/4" black drain pipe locally

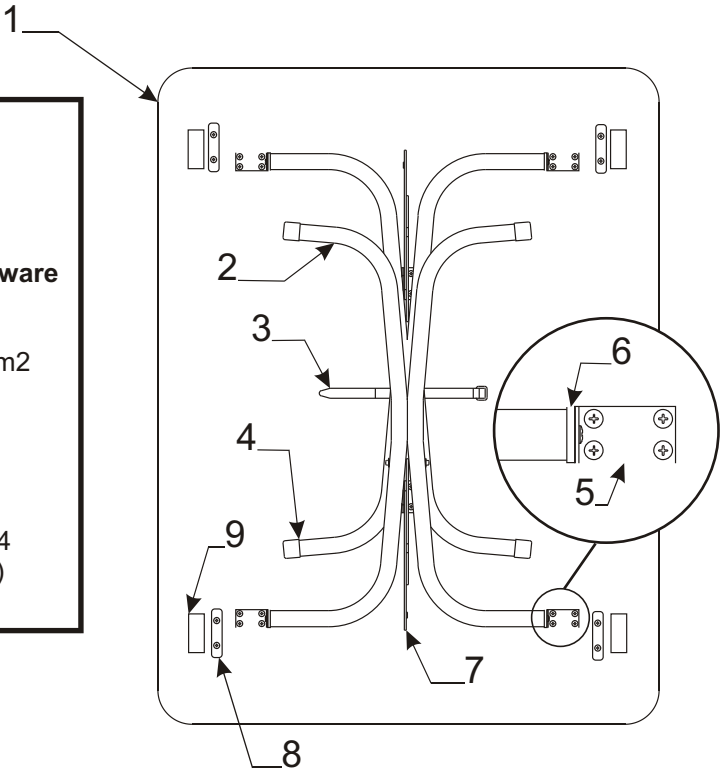
Galley Drain Components - E4				
FR	Code	Part #	Description	
.40	1	4772-4791	dual sink drain	
.40	2	4752-3621	p-trap w/union joint	
.75	3	4702-6751	drain assy.	
.40	4	4758-1391	trap adapter	
		4757-9131	rubber washer	
.40	5	4765-3531	vent	
.40	6	4765-3591	90° elbow	

Flat Oven/Range Components				
Flat Rate	Code	Part #	Description	
.30	1	4772B5701	oven/range cover assy.	
.15	2	4773-4681	stove fin x1	
.25		4741A4401	stove fin hinge x2	
		4734J1861	rivet "black" m25	
.50	3	4772A397	cover hinge	
.10	4	4716A2911	3 br. range/oven cook top	
.05	5	4716-2901	3 br. range/oven grate	
.15	6	4716A2641	stove fin stay brkt. m2	

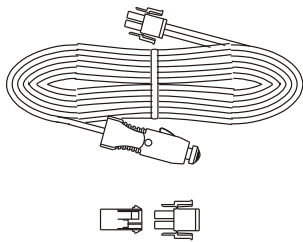


**Dinette Table Assembly Components - E4**

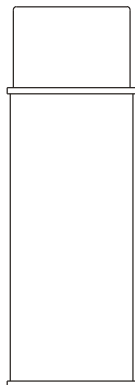
FR	Code	Part #	Description
.50	1	4701A2021	table top (30" x 39")
.50	2	4701A1491	table leg package "silver"
<b>Note: pkg. includes 2 legs &amp; required mounting hardware</b>			
.10	3	4751A9711	strap & screw pkg.
.10	4	4752-0551	white plastic cap m2
.15	5	4713-0321	table leg mounting brace m2
		1103E1018	5/8" wood screw
.10	6	4752A0561	table leg insert cap m2
		4747-2558	expansion rivet m25
.25	7	4744-6971	lock brace assy. x2
		1103E1018	5/8" wood screw
.15	8	4756-8741	table top plastic spacer m4
		1103B08148	7/8" screw (x2 per spacer)
.05	9	4724D2631	velcro fastener m4



4733D6701 auto extension



4716A4701 12 volt cap & plug m2



16 oz. spray



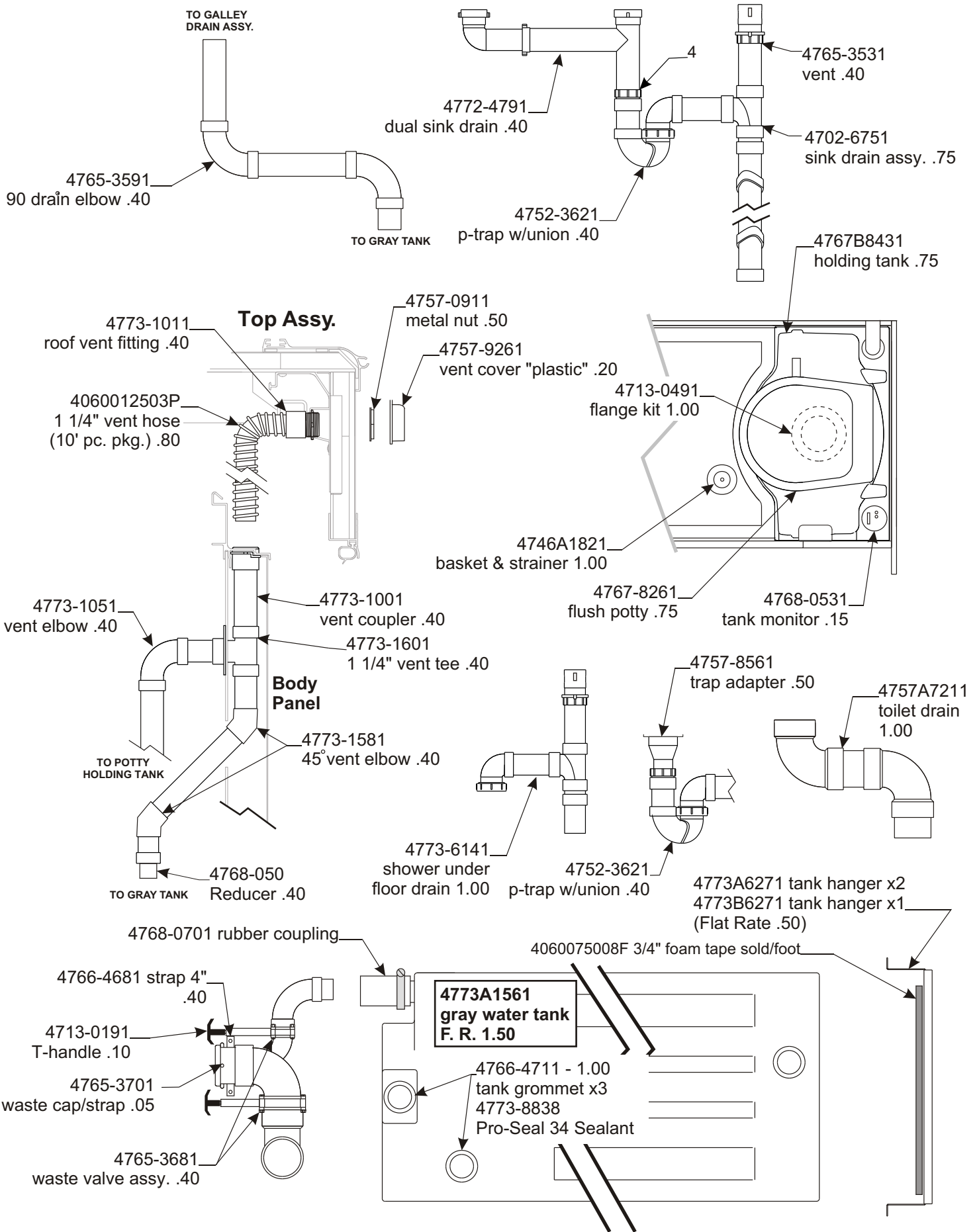
4757-9298  
Black Silicon Caulking

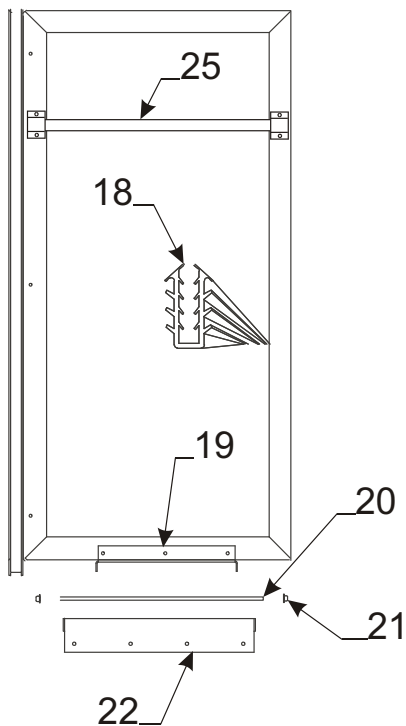
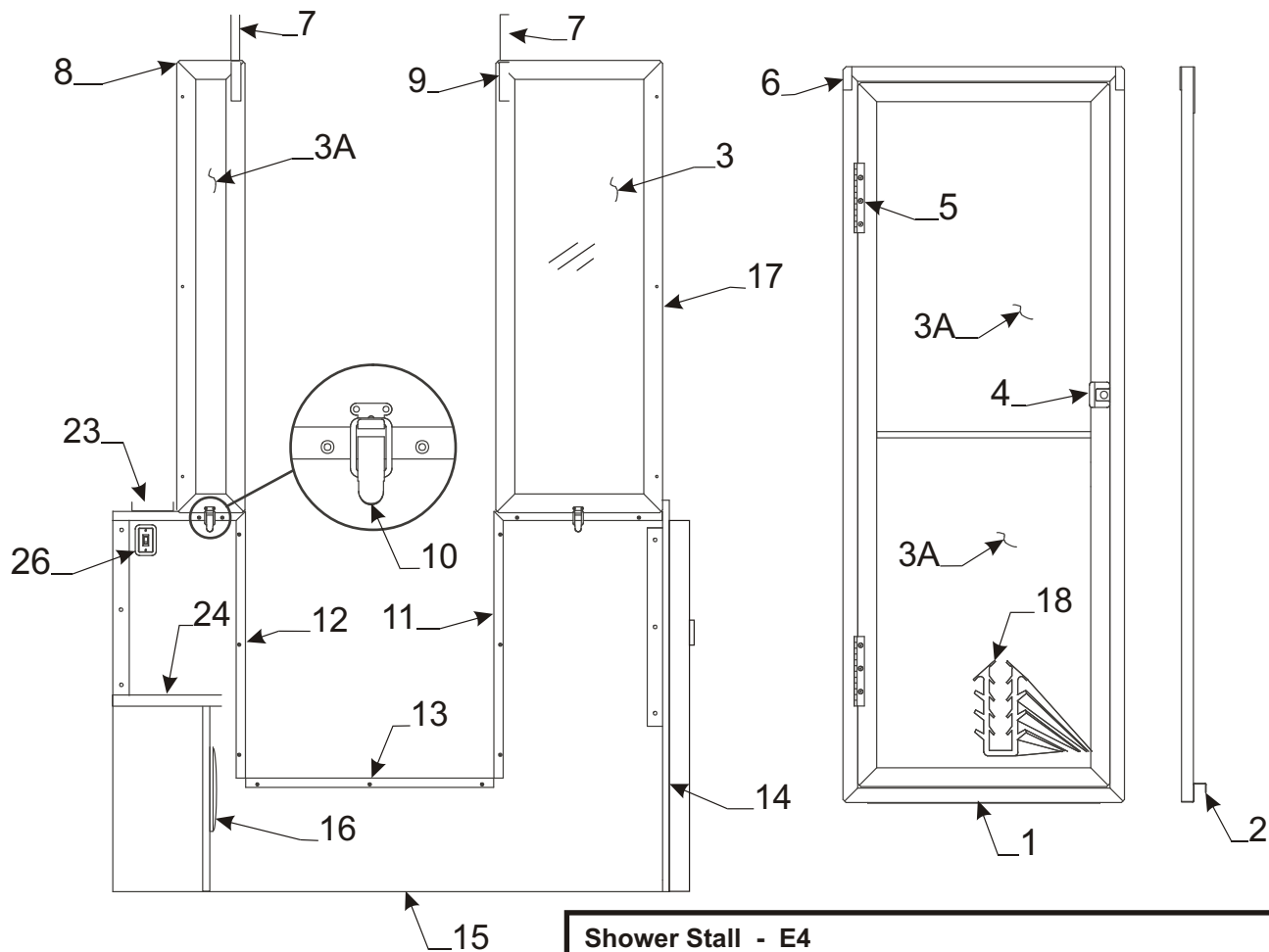
4768-3058  
Caulking "Black"

4773-8838  
Sealant "Black" Pro-Seal 34

0008-2571 black (tongue paint)  
0008-2641 black textured (frame paint)  
0008-2691 grey textured (body panel paint)

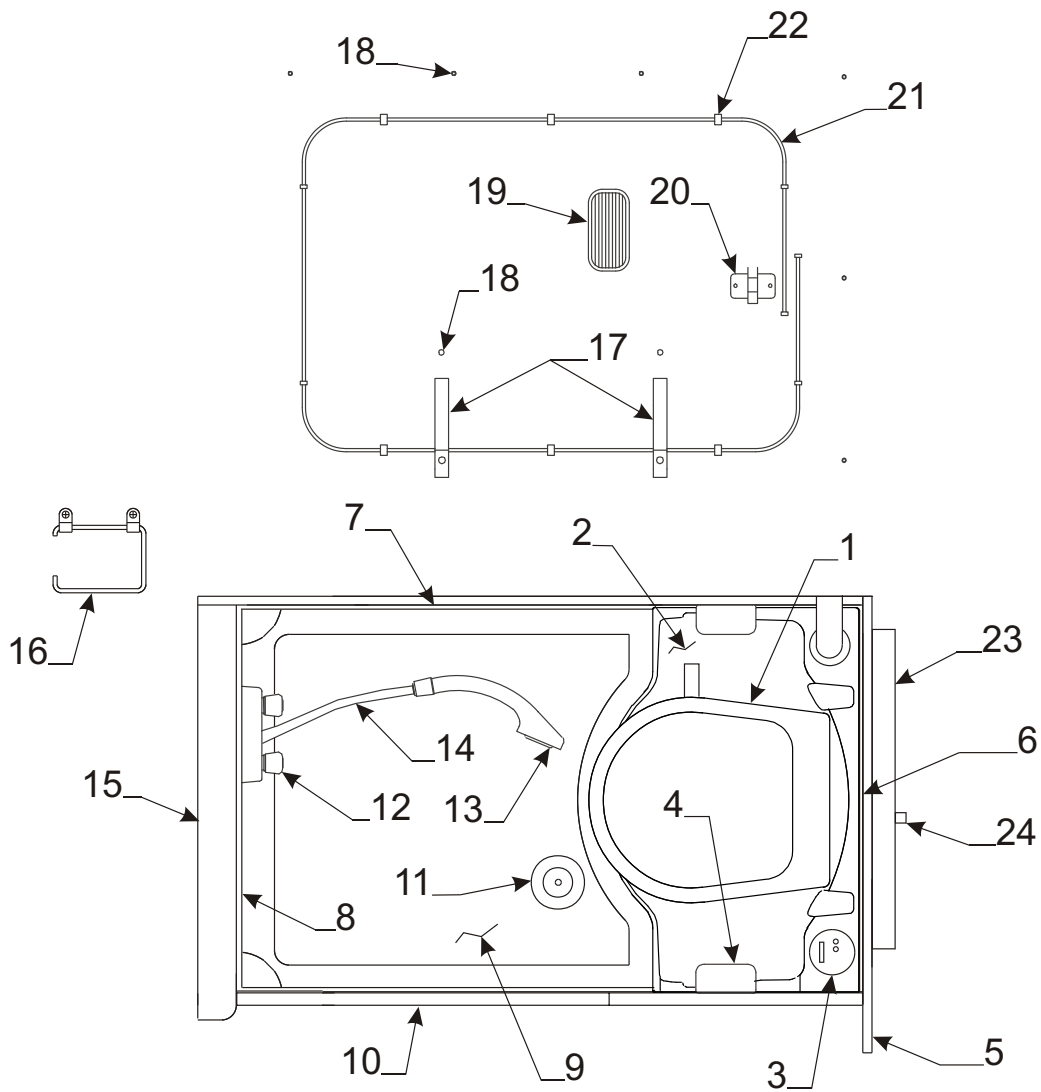
**Note:** Must purchase 1 1/4" black or white drain pipe locally





#### Shower Stall - E4

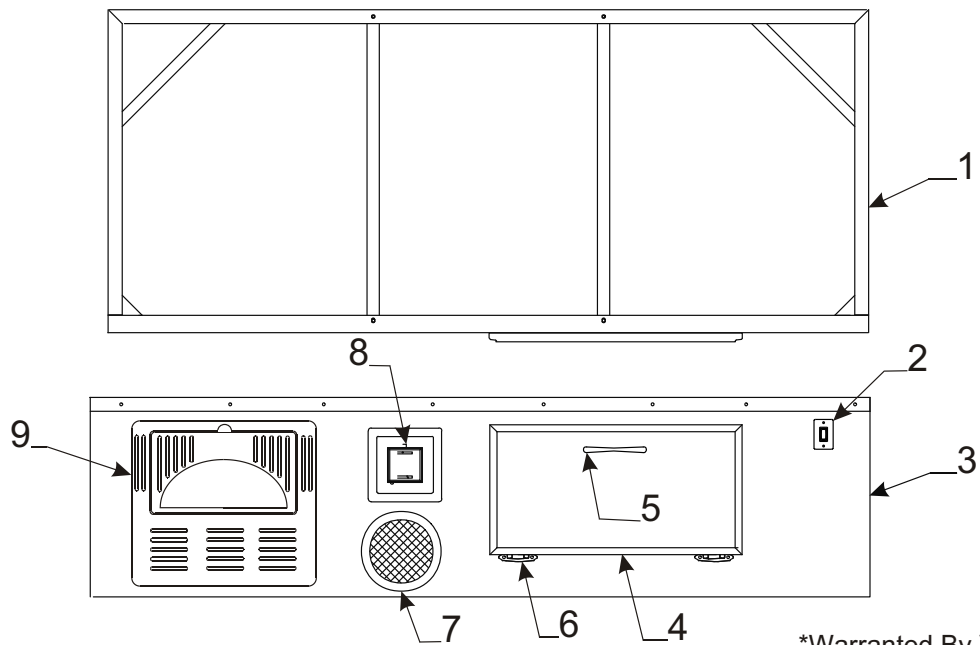
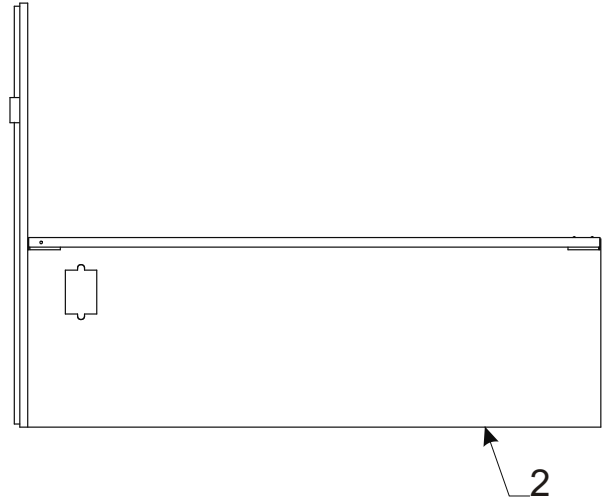
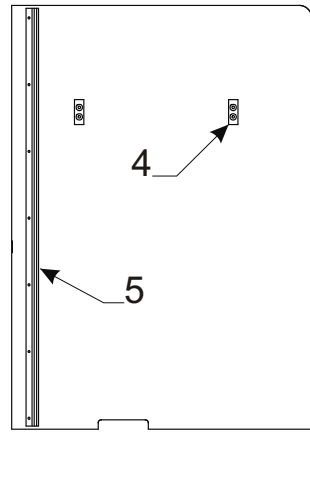
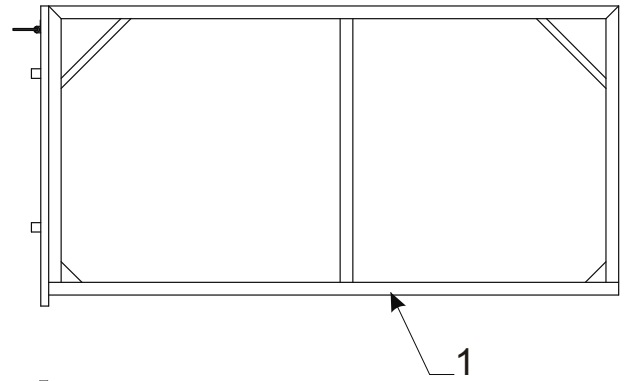
FR	Code	Part #	Description
.10	1	4702-6611	shower door
		4772-9101	vinyl end protector x2
.15	2	4702-8151	shower door stay brkt.
.40	3	4772A9001	mirror
.40	3A	4772A434	universal fiberglass panel
.40		4702-832	5/32" wood panel
.15	4	4742-9671	latch assy.
.15	5	4720C3601	hinge
		1203-8641	rivet m25
	6	4351400012F	grey velcro loop (sold/yd.)
.10	7	4772-6641	shower door strap assy. x2
.25	8	4702-6651	rt. shower wall assy.
	9	4351400005F	gray velcro hook (sold/yd.)
.15	10	4772-4261	latch & strike
.10	11	4702-837	shower wall cap lt.
.10	12	4702-838	shower wall cap rt.
.10	13	4702-839	threshold cap
1.50	14	4702-8351	shower wall gazoodi
2.00	15	4702-8341	shower wall threshold
.15	16	4800A3911	speaker/grill
.25	17	4702-6681	lt. shower wall assy.
	18	4060000086F	rubber seal (sold/ft.)
.20	19	4772-4441	wall pivot brkt.
.10	20	4772-4541	pivot rod & pal nuts
	21	1201B7071	pal nut m6
.20	22	4772-4531	shower wall pivot brkt. x2
.50	23	4702-8331	shower cabinet top
	24	4702-659	speaker cabinet. assy.
.25		4702-811	top carpet
	25	4765B1211	towel bar
.10	26	4733C4981	rocker switch



**Shower Stall Components - E4**

FR	Code	Part #	Description	FR	Code	Part #	Description
.75	1	4767-8261	flush potty	.15	13	4767-0101	shower head w/bracket
.75	2	4767A8431	holding tank 9.5 gal.	.20	14	4741B2051	shower hose 72"
1.00		4713-0491	flange kit	.50	15	4702-8331	shower cabinet top
.15	3	4768-0531	tank monitor	.15	16	4756-9121	TP holder
.15	4	4772-4561	wall rest block			4747-2531	nylon clamp m2
1.50	5	4702-8351	shower wall gazoodi	.15	17	4772-6631	curtain strap
.30		4060400091P	t-molding pkg.	.05	18	4730A3548	stud w/screw
1.00	6	4772B4811	tub surround frt.	.25	19	4759-1721	light
1.00	7	4772A2981	tub surround center	.15	20	4767-0111	shower head brkt.
1.00	8	4772-4801	tub surround rear	.10	21	4772A3871	shower curtain i-beam
1.00	9	4767-8291	shower pan	.15	22	4739-1201	i-beam mounting brkt. m12
2.00	10	4702-8341	shower wall threshold			4753A9871	rivet m25
1.00	11	4746A1821	basket & strainer	.50	23	4702-863	slide-out filler
.50	12	4741B2071	shower diverter		24	4755B8201	nylon block
.10		4716-0848	shower hose connector				

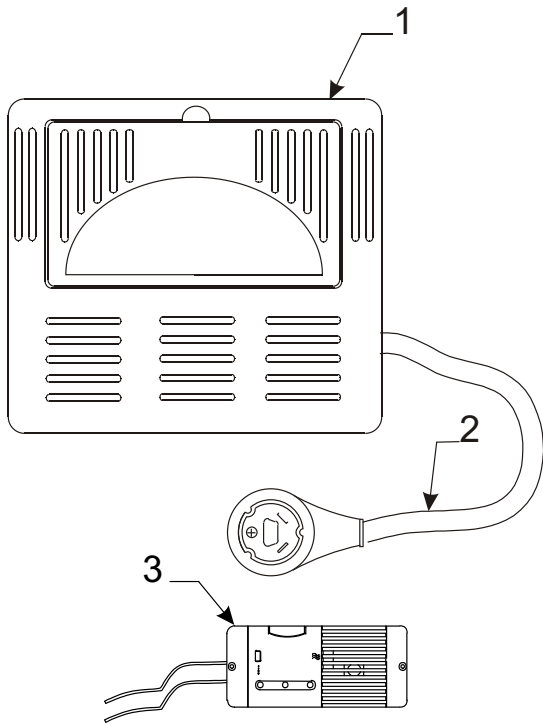
Flat Rate	Code	Part #	Description
.25	1	4702-681	rsf seat frame assy.
.20	2	4702-861	bench front panel
.75	3	4702-8621	bench gazoodi
.30		4060400091P	t-molding (12' pc. pkg.)
.50	4	4755B8201	nylon block
.50	5	4702-865	vertical seal extrusion
		4064700589P	sweep seal (8' pc. pkg.)



\*Warranted By Vendor

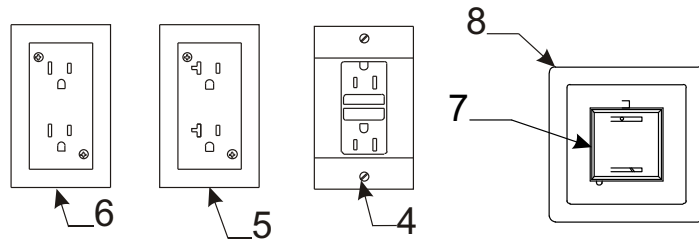
Flat Rate	Code	Part #	Description	Flat Rate	Code	Part #	Description
.25	1	4702-683	seat frame assy.	.10	6	4762-4878	hinge
.20	2	4733C4981	rocker switch	.15	7	4800A3911	speaker/gril
.20	3	4702-866	bench front	.50	8	4752A8461	*thermostat
.15	4	4701A8211	door panel 19" x 10"	.20		4701-2341	plastic base & bracket
.10	5	4755B2681	door pull	1.00	9	4772A2441	converter 35 amp

**WORLD FRIENDSHIP CO., LTD**  
 Warranty: 800-900-2468

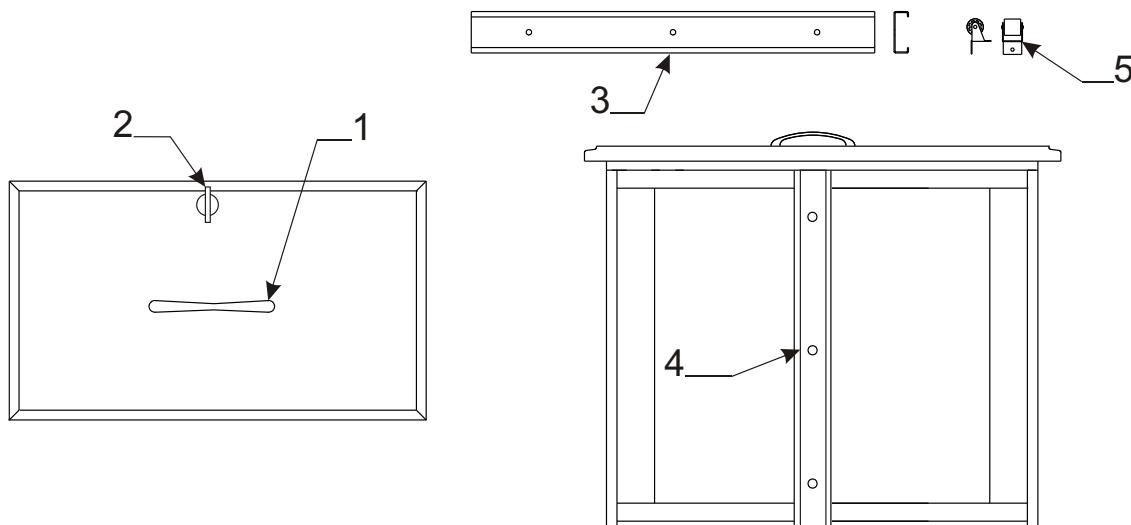


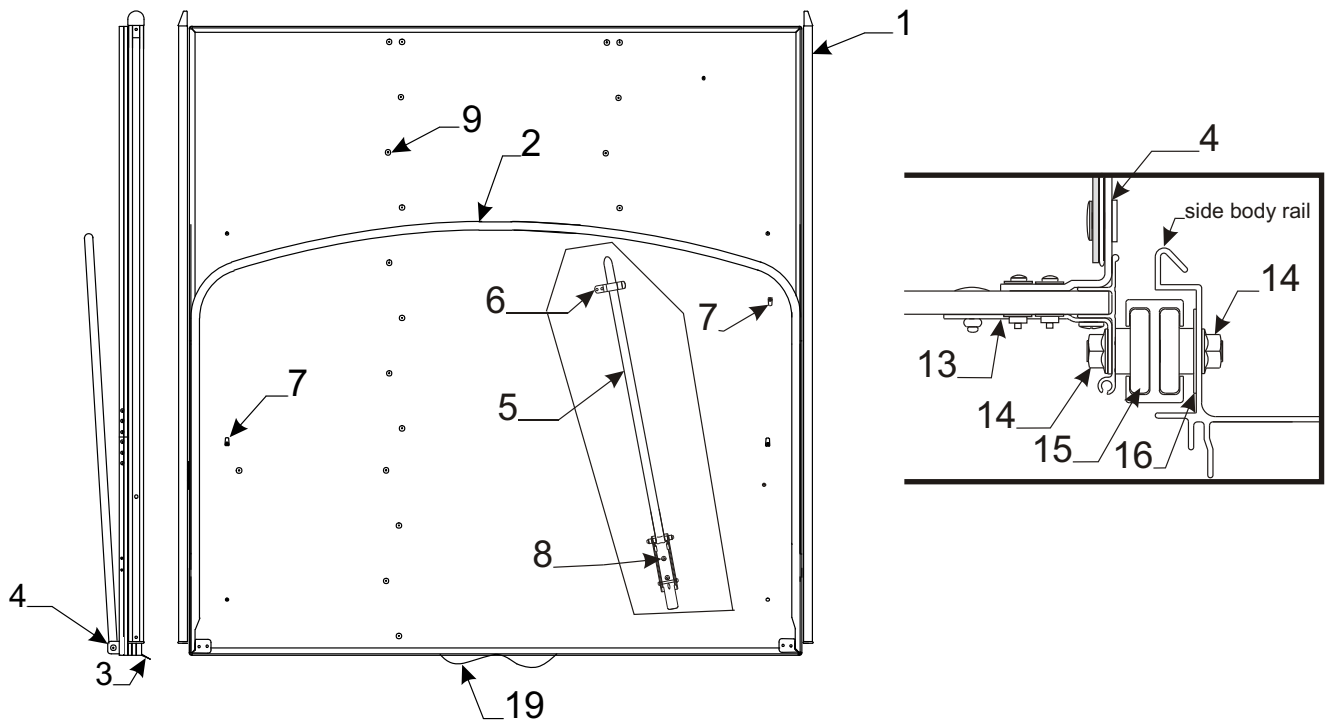
Flat Rate	Code	Part #	Description
1.00	1	4772A2441	converter 35 amp WFCO
.30		4713-0751	converter cover w/door "brown"
.30		4757-3401	15/20 amp double breaker
.30		4757-3411	15/15 amp double breaker
.30		4765-9841	15 amp single breaker
.30		4757-8601	30 amp main breaker
.60	2	4772-1601	power cord 32 ft.
.25	3	4753B9171	lp gas detector
.35	4	4746B3841	15 amp GFI receptacle (white)
.20	5	4752-2371	20 amp receptacle (white)
.20	6	4752-2361	15 amp receptacle (white)
.20		4765-4041	15 amp reefer receptacle (white)
.40		4746A3851	receptacle box
.50	7	4752A8461	*thermostat
.20	8	4701-2341	plastic base & bracket

\*Warranted By Vendor



Flat Rate	Code	Part #	Description
.10	1	4755B2681	door pull w/screws
.15	2	4767-3601	chrome thumb turn lock
.15	3	4757B8891	17" metal drawer guide track
.25	4	4772-2011	20" pvc i-beam drawer guide
.10	5	4757-8911	drawer roller m2



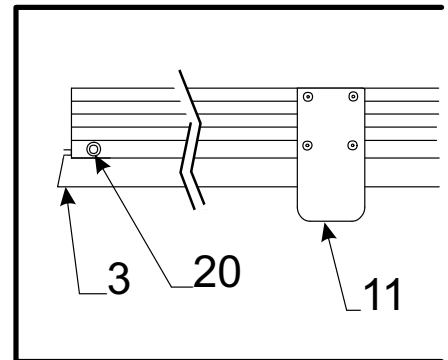
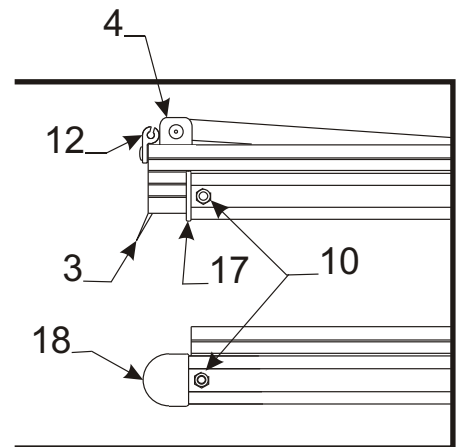


E4 - 4702-6531 Front Bed Assy. "Complete"  
 E4 - 4702-6951 Rear Bed Assy. "Complete"

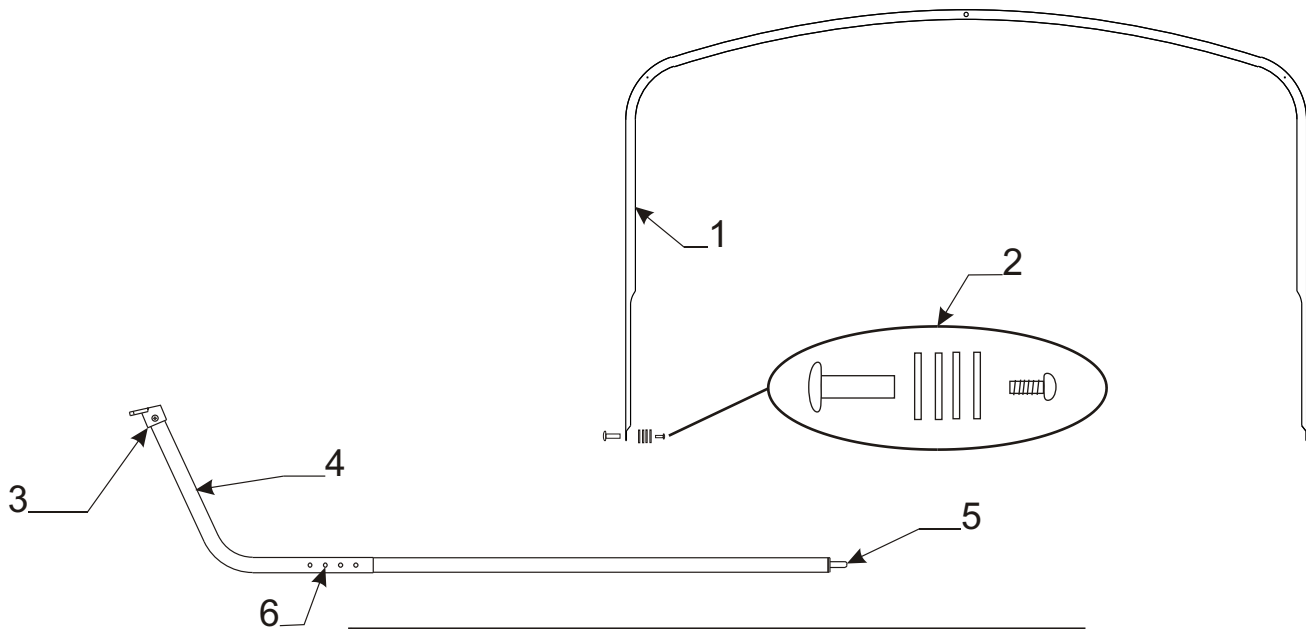
**Flat Rate .75 Bed assy. replacement**

\* .50 First Bed Extension  
 \* .25 Second Bed Extension

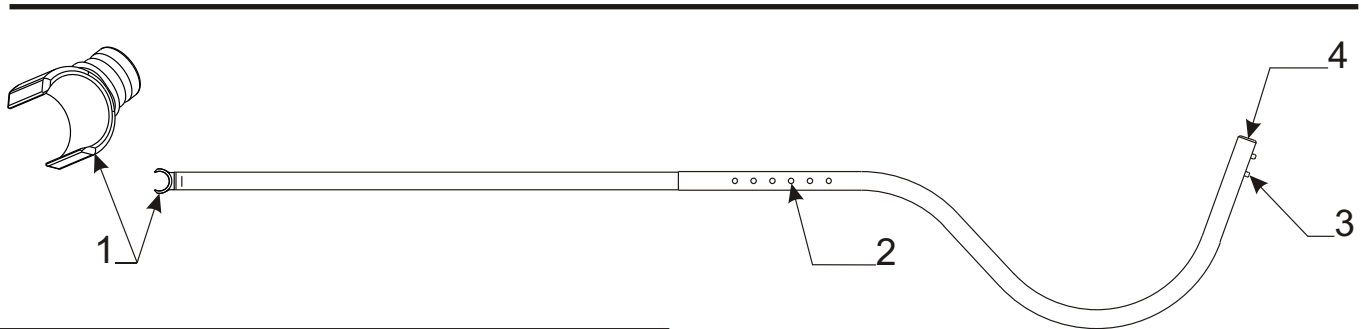
Flat Rate	Front/Rear Bed Assy. Components - E4	Code	Part #	Description
*		1	4716U4031	bed extension (x2 per bed)
.25		2	4772A2091	tent bow/leg package
.25		3	4060400339P	vinyl bed seal (8' pc. pkg.)
.15		4	4720K5631	bed bow bracket m2
.05			4757-9241	1 1/2" plastic fender washer m4
			1203C8721	steel rivet m25 (affix bow to brkt.)
			1016B10148	machine screw x2 per brkt.
			1201B6958	wiznut x2 per brkt.
.20		5	4773-5311	rear bed leg assy. x2
.20			4773-5321	front bed leg assy. x2
.15		6	4757-4331	bed leg clip
			1203-8831	rivet m25 (rivet clip to bed)
.15		7	4720E4021	lashing hook m6
			1203-8741	rivet m25 (rivet hook to bed)
.25		8	4772-9451	slotted support plate 7 1/2"
.20			4714-4521	mounting screws (pkg. x3)
		9	1203C8721	rivet m25
.20		10	1034B16128	flat head screw
			1201B6378	lock nut
.25		11	4772C1131	kill switch plate
.20			4746C0971	kill switch m4
.50		12	4758-8301	bed end retainer track & rivets
.20		13	4755A2591	bed brkt. w/hardware x4
		14	4739-2298	lock nut
.50		15	4754-8101	bed roller, nut, bolt, & washer pkg.
		16	1202B2908	washer
.15		17	4754-8631	bed slide end cap
.15		18	4754-4821	bed slide wedge
.20		19	4758-9481	pull-out handle strap & rivets
			4758-8001	rivet "black" m25
.05		20	4730A3548	snap stud w/screw







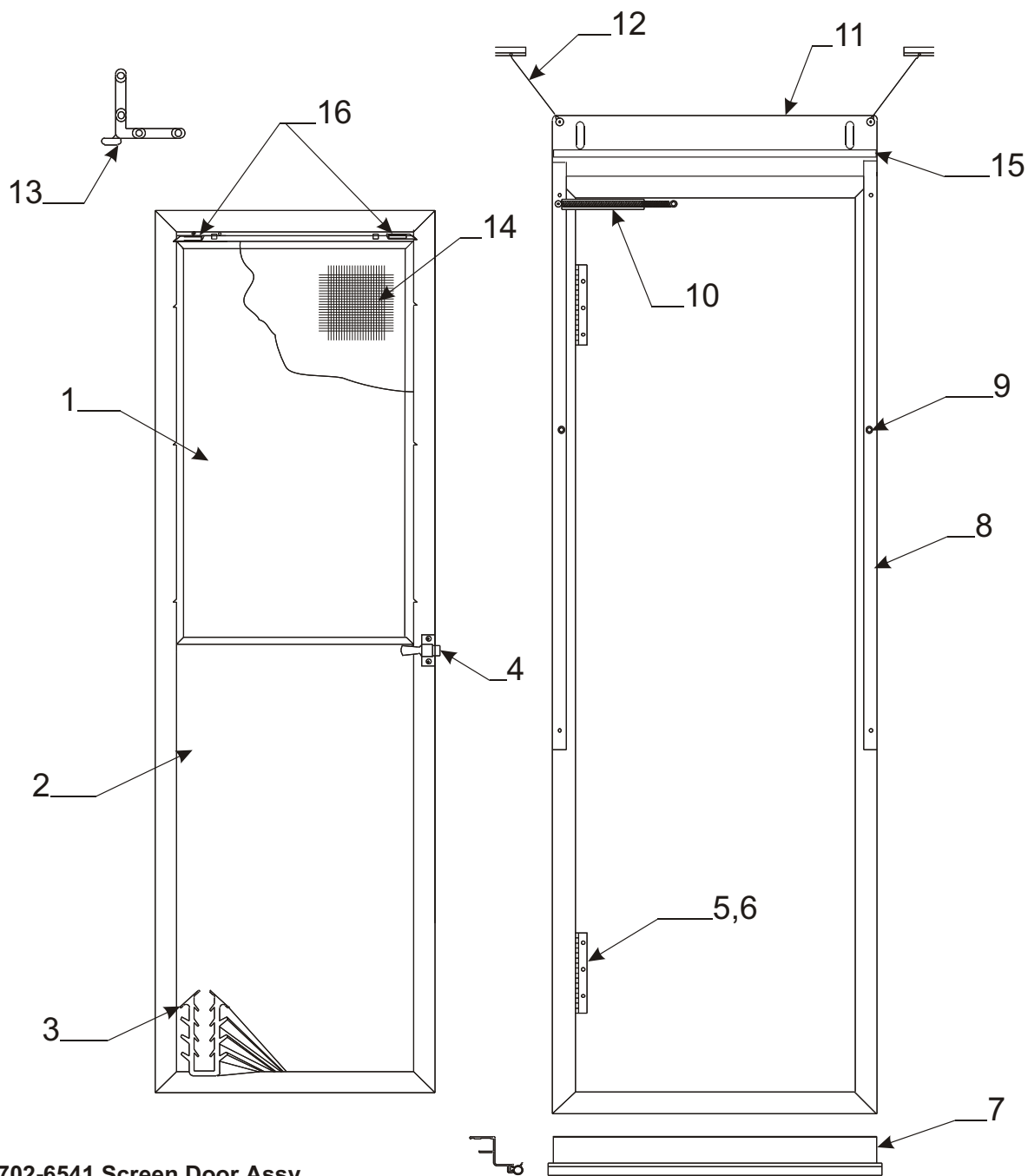
<b>Glide-out Tent Bow - E4</b>			
<u>Flat Rate</u>	<u>Code</u>	<u>Part #</u>	<u>Description</u>
.10	1	4756C2071	glide-out tent bow
.10	2	4716-4451	bow mounting hardware pkg.
.10	3	4757-1351	tent support tip w/screw
.05	4	4773B5131	glide-out tent support
.20	5	8470-1728	black pin m10
.10	6	4734-6708	snap spring



<b>Tent Support Components</b>			
<u>Flat Rate</u>	<u>Code</u>	<u>Part #</u>	<u>Description</u>
.20	1	4757-4301	tent support clasp m10
.10	2	4734-6708	spring assy.
.10	3	4734A6708	spring assy.
.10	4	4752A0561	tube closure "black" m2

**Tent Support Assemblies (Complete)**  
**Flat Rate .10 per Tent Support**

**Front/Rear Beds**  
 4772B6021

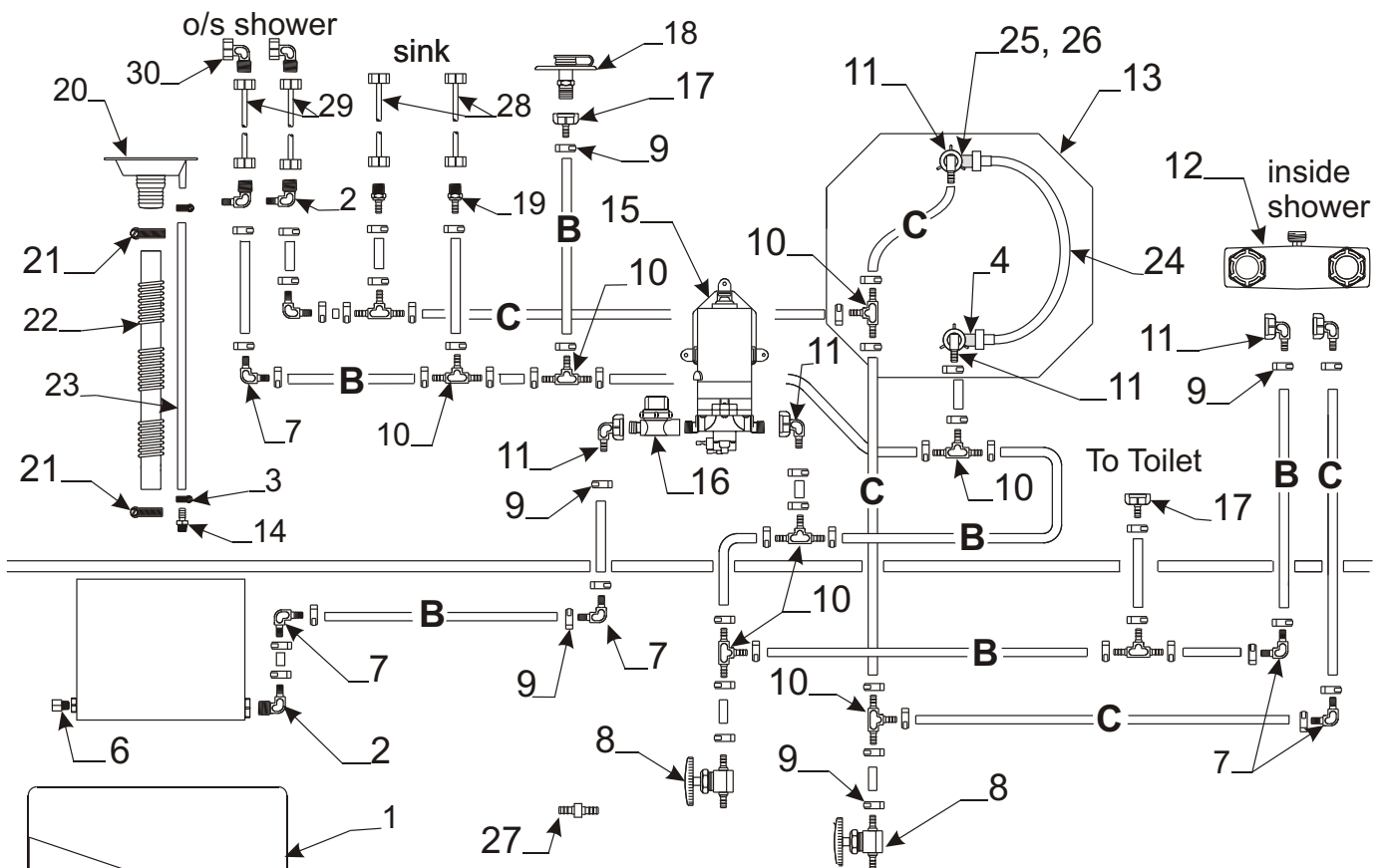


**4702-6541 Screen Door Assy.**

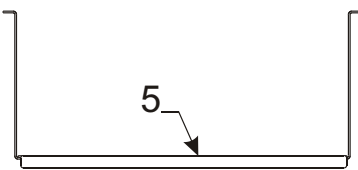
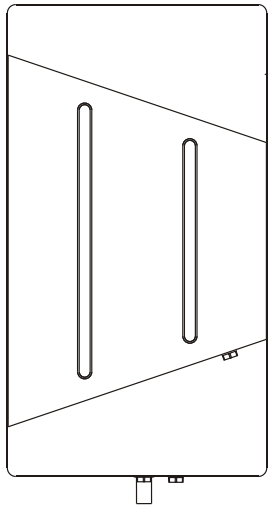
.30 Flat Rate Screen Door Complete

Note: parts marked w/\* asterisk are not included w/screen door

Flat Rate	Screen Code	Door Part #	Components Description	Flat Rate	Screen Code	Door Part #	Description
.10	1	4713-0141	top sliding window pane	.05	9	4730A3548	stud w/screw x2
.40	2	4701A1601	stationary window pane	.20	10	4731A8201	spring package
.15	3	4060000086F	rubber seal (sold/foot)	.50	11	4773-0611	top bracket
			Note: around perimeter of window pane	.30		4773A063	top bracket hinge
.15	4	*4742-9671	door latch assembly	.15	12	4772A5181	cabl assy. m2
.15	5	4720C3601	hinge x2	.50	13	4710-3791	corner brace hinge m2
	6	1203-8641	rivet m25	.10	14	4716-1381	screened stationary pane
.25	7	*4747B5621	screen door support	.75		4716-1111	screening 36" x 18 1/2"
		*4060000399F	rubber seal (sold/foot)	.10	15	4060000023P	d-seal "white" (5' pkg.)
.20	8	4754A3811	vel-stick (pkg. of 2)	.50	16	4716-3811	window lock pkg. rt./lt.



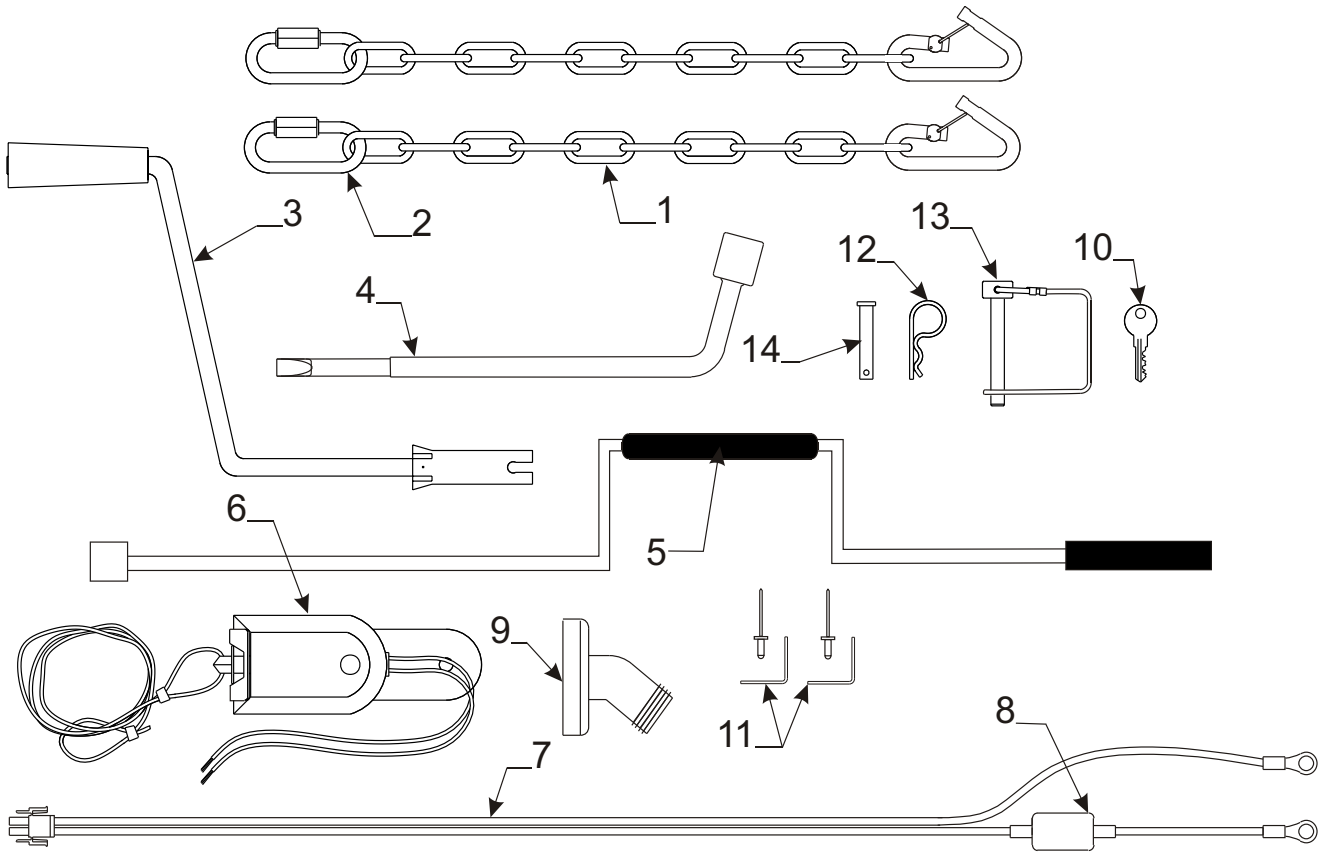
4060050003F 1/2" I.D. High pressure hose (sold/foot)  
 B 4066550013P 1/2" I.D. pex tubing "cold" (20' pc. pkg.)  
 C 4066550014P 1/2" I.D. pex tubing "hot" (20' pc. pkg.)



\* Warranted By Vendor

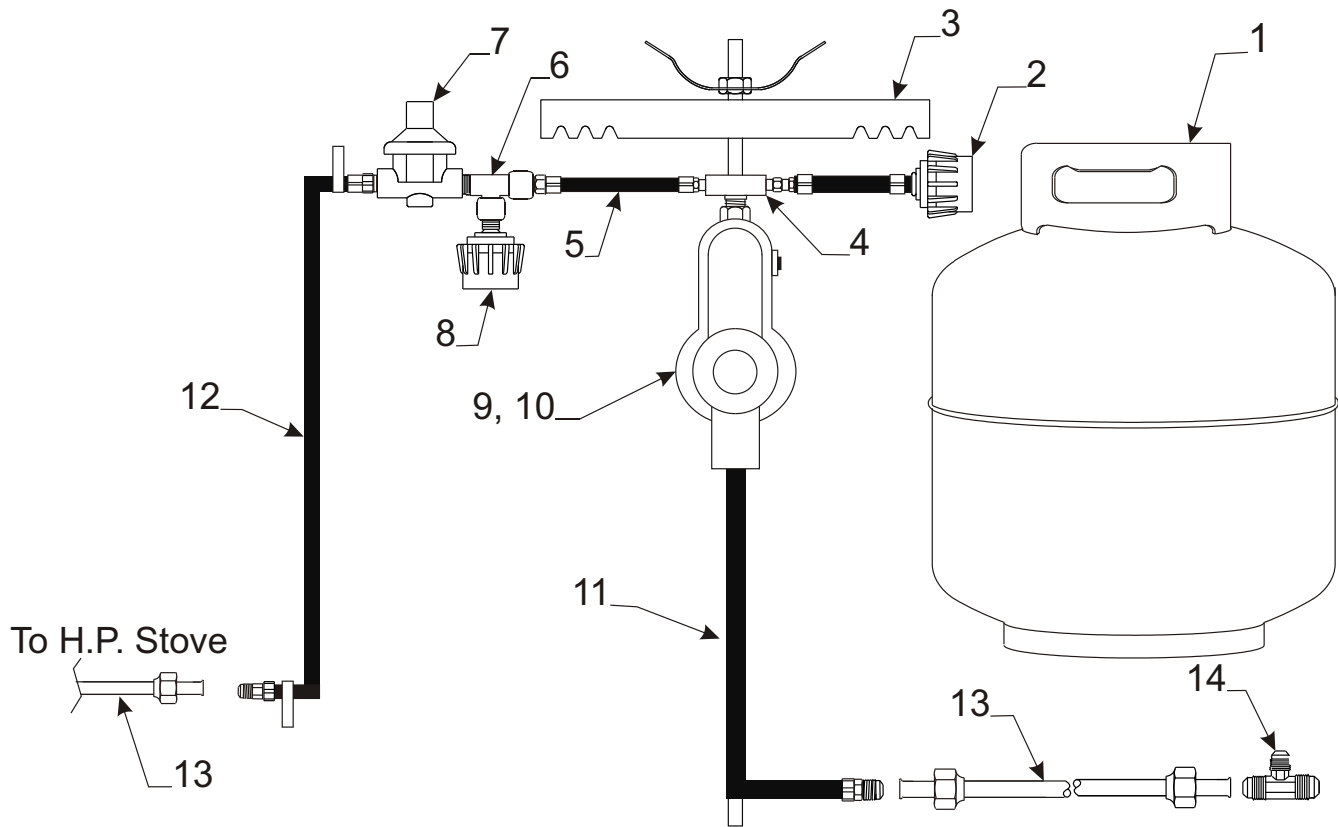
**Flat Water System & Related Parts - E4**

Flat Rate	Code	Part #	Description
1.50	1	4702A4161	water tank 35 gallon
.25	2	4769-0648	1/2" barb x 1/2" mpt elbow
.15	3	4731-3058	adjustable hose clamp 3/8"
.25	4	4767-1401	3 way MPT shut off valve
.20	5	4758B5391	water tank hanger x2
.15	6	1218-7001	tank plug
.25	7	4769-0618	1/2" x 1/2" barbed elbow
.20	8	4769-0598	1/2" barbed line drain
.25	9	4765-2351	1/2" ss clamp m100
.25	10	4769-0608	1/2" barbed tee
.20	11	4769-0628	1/2" b x 1/2" fpt elbow w/nut
.50	12	4741B2071	shower diverter
*	13	4765A1181	water heater
.15	14	4732B4561	hose adapter
.50	15	4741F5571	electric water pump
.25	16	4747A8311	water filter
.20	17	4769-0588	1/2" straight swivel adapter
.30	18	4701-0781	city fill
.15	19	4769-0638	1/2" b x 1/2" mpt adapter
.30	20	4701-0771	fill spout
.15	21	4715-4501	adjustable hose clamp
.35	22	4731H1081	water fill hose (3' pc.)
.20	23	4060050003F	1/2" h.p. hose (sold/ft.)
.15	24	4767-1381	nylon bypass hose 8"
.25	25	4767-1371	1/2" MPT brass tee
.25	26	4767-1391	brass check valve
.25	27	4755A4828	1/2" x 1/2" insert coupler
.25	28	4769-1301	48" water line assy.
.25	29	4769-1291	60" water line assy.
.25	30	4769-1318	swivel elbow



**4701C5511 Parts Package - E4**

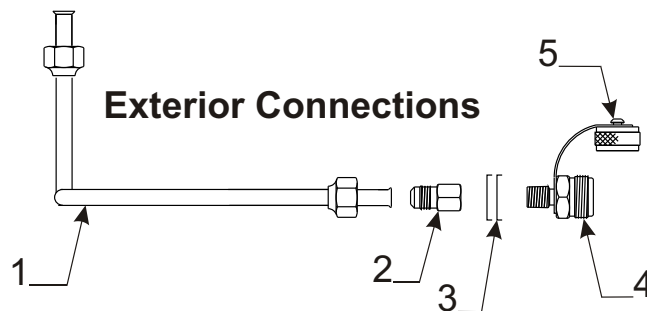
<b>Parts Package Component Parts</b>		
<b>Code</b>	<b>Part #</b>	<b>Description</b>
1	4757A3901	safety chains w/quick links m2
2	4757-3891	quick link (sold/signally)
3	4747G4141	crank handle
4	4749A1861	lug nut wrench
5	4761-2401	stabilizer crank
6	4746-0401	breakaway switch
7	4749B5531	battery harness w/15 amp breaker
	4768-6291	battery harness w/40 amp breaker
8	4751-4811	15 amp circuit breaker
9	4737-9138	drain adapter
10	4730B3211	key m10 #8025 (gold plated)
11	4753E6781	battery angle pkg.
12	4732A4791	safety pin m10
13	4702-3821	wire lock pin



\*\* Serial Number Of Gas Bottle Must Be Supplied When Submitting Warranty

Gas System & Related Parts - E4				Flat			
FR	Code	Part #	Description	Rate	Code	Part #	Description
.15	** 1	4720J5928	gas bottle x2	.30	8	4765-9571	acme nut
.05		4702-5061	vinyl bottle cover	.45	9	4755A0401	regulator "low pressure"
.45	2	4761-1921	gas hose w/acme nut	.05	10	4734D3781	regulator cover "plastic"
	3	4772B9521	hold down brkt. assy.	.45	11	4737-8871	gas hose
.50	4	4767-9631	1/4" female inverted tee	.45	12	4742-8081	h.p. gas hose
.45	5	4765A9581	1/4" gas hose assy.	.25	13	1/2" or 3/8" copper gas line purchase locally	
.50	6	4739-6998	street tee	.50	14	4765-897	brass tee 1/2" equal
.45	7	4742A8041	h.p. regulator	.15		1215-1781	brass tee 1/2" x 3/8" x 3/8"

Flat Rate	Code	Part #	Description
.50	1	3/8" copper gas line purchase locally	
.15		1215-2418	3/8" flare nut
.40	2	4742-8061	female coupling
	3	1202B1068	washer x2
.40	4	4739-6978	cylinder adapter
.40	5	4742-8071	brass cap & strap



**Drape Package (Less Valance Pkg.)**

**Note: Drape Pkg. Includes Privacy Curtains x4**

<u>Model</u>	<u>Drape Pkg.</u>	<u># Of Panels</u>	<u>Flat Rate</u>
E4	4702-693B1	8	.30

**Drape Tab C-Shape** m60 - 4750-2891 Flat Rate - .05

**Drape Tie Package** (Qty. 1) Flat Rate - .05  
4701-5471

**Privacy Curtain Pkg. (Set Of 2 Panels)**  
.15 4713-6931 - Privacy Curtain pkg.

**Single Drape Panel W/Safety Straps**  
.15 4713-0161 Drape pnl. 16 1/2" x 42"  
.15 4713-0501 Drape pnl. 50" x 42"

**Shower Curtain .15**  
4800A5741 - shower curtain pkg.  
4773A0821 - i-beam track .50  
4739-1191 - curtain carrier & hook m6 .15  
4739-0671 - i-beam track stop .15  
4739-1201 - i-beam mounting brkt. m12 .15

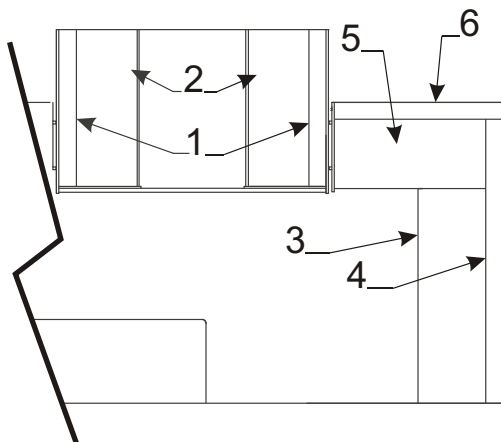
**Shower Stall Valance** - 4702-8061

**Dressing Room Curtain .15**  
4702-694B1 - dressing room curtain pkg.  
3530000074P - i-beam track 76"  
4739-1191 - curtain carrier & hook m6  
4739-0671 - i-beam track stop  
4739-1201 - i-beam mounting brkt. m12

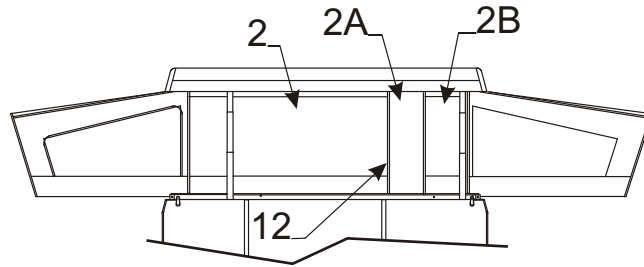
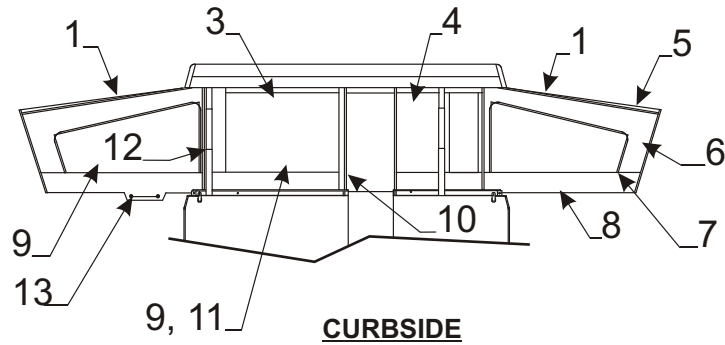
**Flat Rate - Mattress Assy. .10/Cover .50**

**Front / Rear Mattress Assembly & Covers**  
Frt./Rear Mattress Assy. - 4702B1441 - 77" x 70"  
Frt./Rear Mattress Cover. - 4714B1441

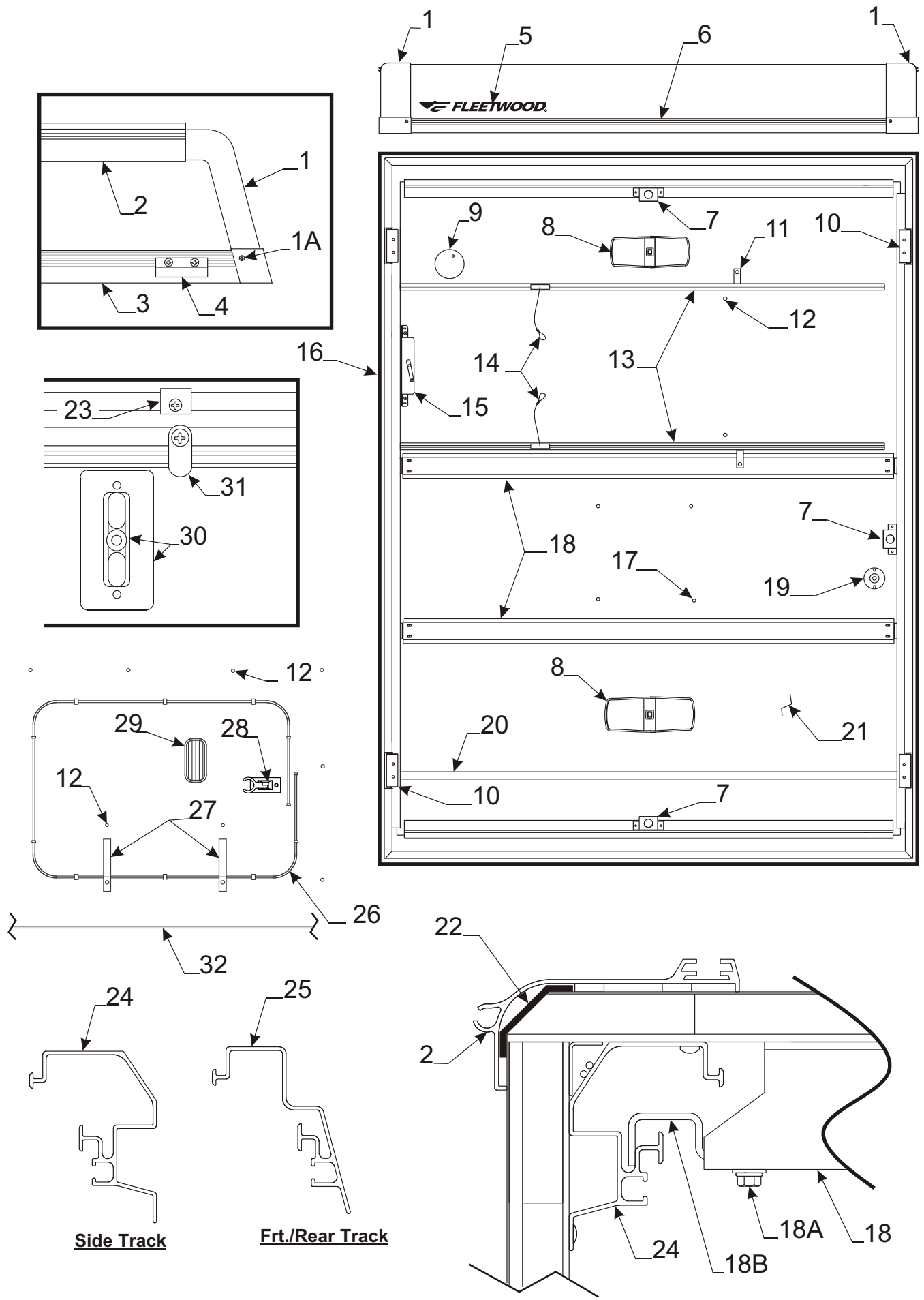
**Flat Rate .10 Assembly - .25 Cover**



<u>Flat Rate</u>	<u>Cushion &amp; Backrest Assy's - E4</u>	<u>Code</u>	<u>Part #</u>	<u>Description</u>
.10	1	4702-5451	backrest assy. 42 1/4" x 15 5/8"	
.25		4714-5451	backrest cover	
.10	2	4702-5461	cushion assy. 42 1/4" x 19 3/8"	
.25		4713-5461	cushion cover	
.10	3	4702-6561	cushion assy. 57 1/2" X 23"	
.25		4713-6561	cushion cover	
.10	4	4702-6581	backrest assy. 77" x 13 1/2"	
.25		4713-6581	backrest cover	
.10	5	4702-6551	cushion assy. 45 3/8" x 23"	
.25		4713-6551	cushion cover	
.10	6	4702-6571	backrest assy. 45 3/8" x 13 1/2"	
.25		4713-6571	backrest cover	



<b>Sunbrella Tenting &amp; Components - E4</b>			
<b>Flat Rate</b>	<b>Code</b>	<b>Part #</b>	<b>Description</b>
.50	1	4702-6141	front/rear boot
.40	2	4702-6151	large window "w/glide-out"
.25	2A	4702-6191	vent cover tent section
.15	2B	4702-6181	rsr tent section
.20	3	4702-6161	small window
.15	4	4702-6171	door seal
	5	8118501430P	top vinyl pkg. (85" x 3 yards)
	6	4716C0851	sunbrella patch package (12" x 14")
	7	6650500131F	zipper (sold/yard) used around window
		1225A4461	zipper pull m5
	8	8118001440P	bottom vinyl facing pkg. "black" (3 yd. x 80")
	9	4714E1611	screen package (84" x 3 yards)
		4714A0361	screen package (84" x 13 yards)
	10	4350000013A	1" velcro loop standard back
	11	4716-2401	clear window vinyl (41" x 2 yards)
	12	1225G3928	42 1/2" side zipper pin half
		1225G3918	42 1/2" side zipper slider half
.50	13	4060000245CP	shock cord (150' package)
.50		4714C6021	shock cord & hooks m2 (two 14' lengths)
.15		4724A2011	shock cord termination (plastic hook) m10
	14	4060000024F	arrowhead seal (sold/foot)
.30	15	4772-5921	extension harness
.50	16	4743-1588	k-kote seam sealer
	17	4728-5641	tent retainer pkg.
.30	18	4710-1001	vinyl daubing "white" m2
.30		4710-1011	vinyl daubing "grey"
.30		4713-0311	vinyl daubing "black"





4702-6501 Top Assembly E4

3.00 Top Replacement | 1.50 For A/C | 1.00 For Crossbars | .50 For Disposal

<u>Flat Rate</u>	<u>Code</u>	<u>Part #</u>	<u>Description</u>
.50	1	4713-9031	plastic corner cap csf/rsr (1 cap per pkg.)
.50		4713-9021	plastic corner cap rsf/csr (1 cap per pkg.)
		4356500043P	butyl tape 1" x 3/16" (20' pc.)
		4350000084	foam tape 1/2" wide x 1/4" thick (sold/foot)
		4759-1401	flat head screw 3/4" "stainless steel" m12
	1A	4767-9581	flat head tek screw 3/4" "black" x2
	2	4702-498	canopy/rack track extrusion
	3	4702-800	rs side seal extrusion
		4702-801	cs side seal extrusion
.15	4	4769-2551	csf top strike (used x1)
.15		4701-0481	top strike m2 (used x3)
		4701A0531	2" torx head screw "painted" m2
		1201B6958	nut (x2 per strike)
		4702-3811	strike foam gasket "black" m4
.25	5	4761-1958	Fleetwood logo
	6	4702-1761	end seal extrusion frt./rear
.15	7	4767A9081	tent support bracket x2
		4733F4136	screw
.15	8	4744E4741	double dome light
.10		4758-1361	light lens
		1103B1028	screw x4
.15	9	4767A4641	carbon monoxide detector
.25	10	4767-7001	lift pocket x4
		1201B6378	lock nut 1/4-20
.15	11	4723A5061	strap x2
.05	12	4730A3548	stud w/screw x2
.30	13	4733H47181	screen door track x2
		4744B4611	expansion rivet m25
.15	14	4734D5211	screen door cable m6
.20	15	4749C5571	screen door bracket
		4747-2558	expansion rivet m25
		4749-2138	snap button m2
		1203-8631	rivet m25
.50	16	4060100399P	rubber top seal "sides" (40' package)
.50		4060100398P	rubber top seal "frt./ rear" (16' package)
	17	1203-9258	plastic accordion rivet m25
	18	4767-9161	a/c brace x3
		4060300081P	a/c brace vinyl insert molding (8' pc. pkg.)
	18A	4738A0898	hex bolt
		1202E0408	washer
	18B	4800-6861	a/c brace mounting bracket x2
.15	19	4756A8291	aux. light jack w/rivets
.20	20	4350400004F	vinyl seam tape (sold/foot)
	21	6009435020P	ceiling panel 4' x 8' sheet
	22	4350000047	1/8" x 2 1/2" eterna-bond tape (sold/roll)
.05	23	4750-2891	drape tab c-shape m60
	24	4767-911	side tent/drape track (must cut to size)
	25	4767-910	frt./rear tent/drape track (all)
.10	26	4755B5231	shower curtain i-beam track
		4739-1201	i-beam mounting brkt. m12
.15	27	4772-6631	curtain strap
.15	28	4767-0111	shower head brkt.
.25	29	4759-1721	shower light
.15	30	4743A2501	screen door latch & plate pkg. (2 per pkg.)
.20	31	4728A5641	tent retaining pkg.
	32	3530000074P	dressing room curtain track 76"