



**2007**

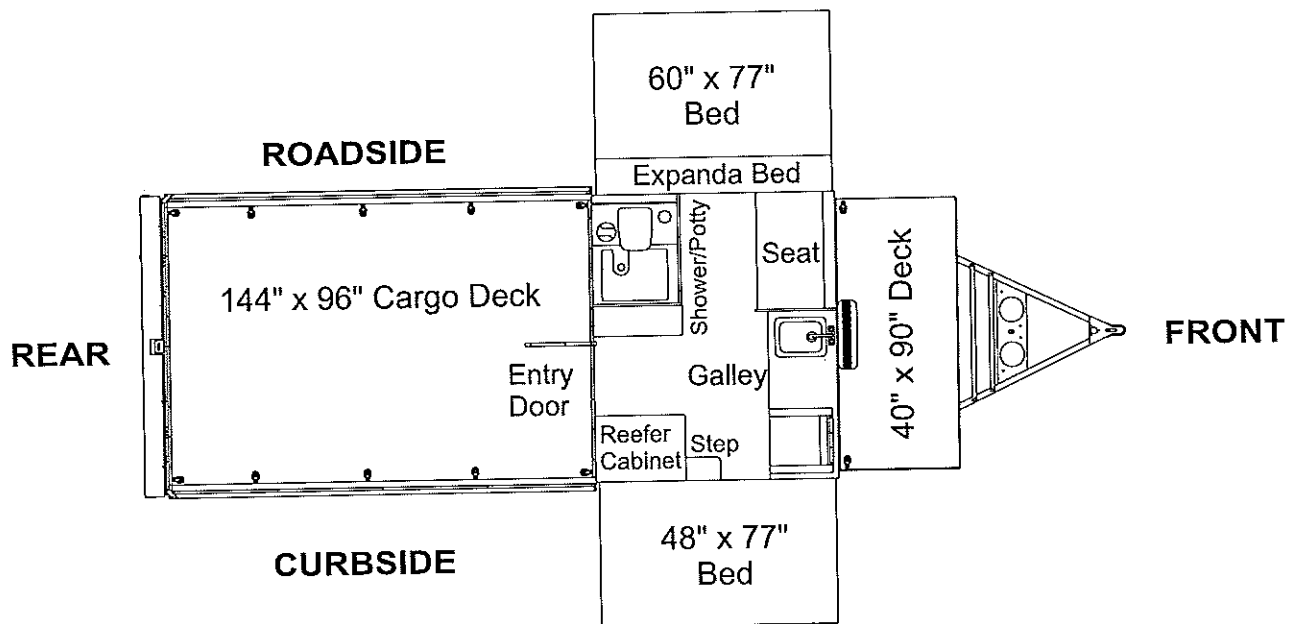
**Scorpion Series**

**Repair Parts Catalog**

**4148 S1**

# 2007 SCORPION SERIES

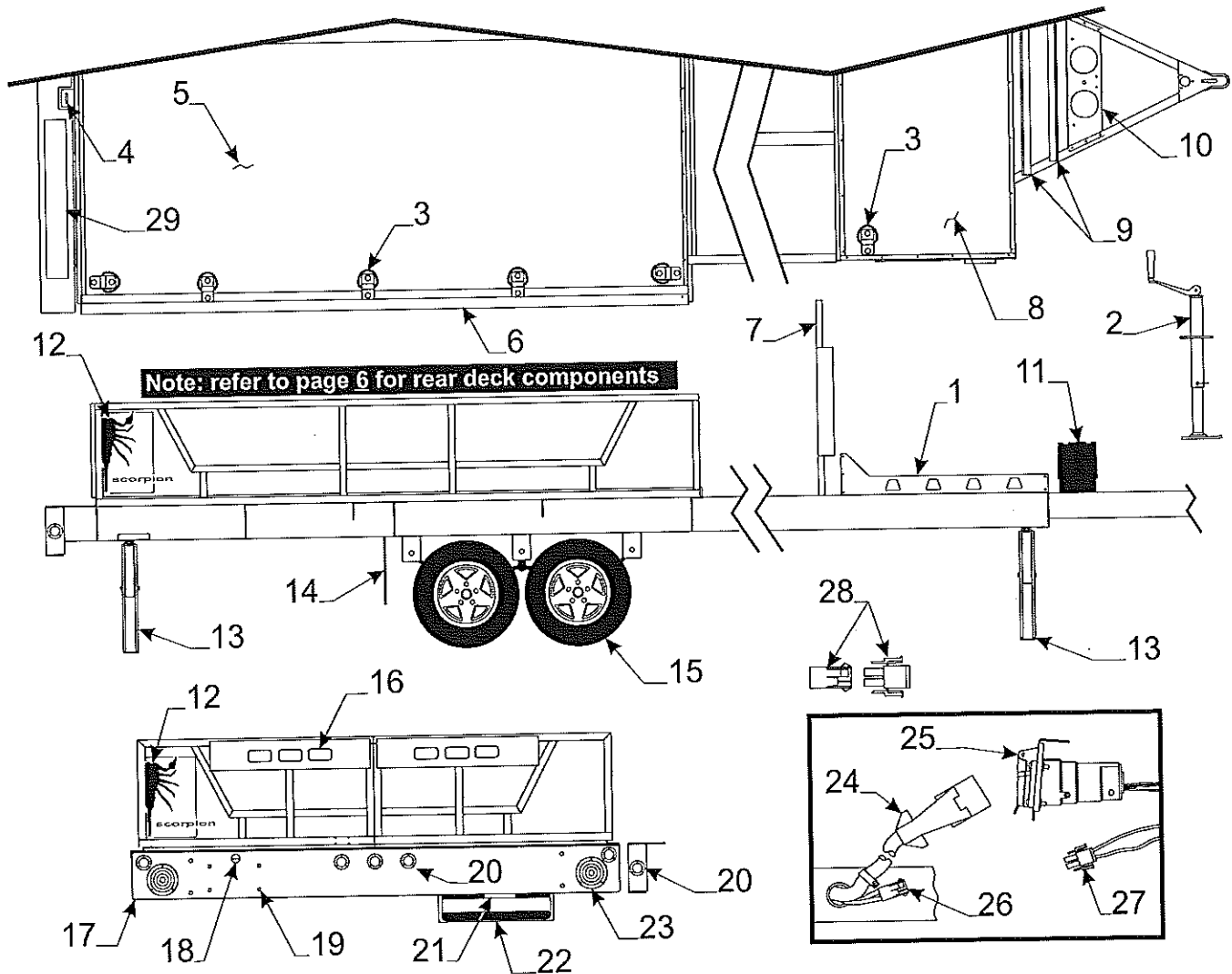
4148 S1 - 8'



## TABLE OF CONTENTS

<u>DESCRIPTION</u>	<u>PAGE</u>	<u>DESCRIPTION</u>	<u>PAGE</u>
Access door key .....	20	Oven/range components "galley area" .....	7
Access door assembly & related parts .....	7	Paint (spray & quart can) .....	11
Auto extension .....	11	Paneling & trim .....	11
Axle assemblies & related parts .....	6	Parts package & components .....	20
Backrest assemblies & covers .....	19	Pigtail (car end) .....	2
Battery box (plastic) .....	2	Potty "cassette" .....	13
Bed assemblies .....	16, 17	Power cord (converter) .....	10
Bed extensions & related parts .....	16, 17	Power lift components .....	4
Body panel front & rear .....	8	Radio/cd player .....	13
Body panel "roadside/curbside" .....	9	Receptacle (exterior) .....	8
Bumper & related parts .....	2	Receptacle (interior) .....	10
Cabinet assembly (reefer cab.) .....	10	Refrigerator vents .....	9
Carbon monoxide detector .....	23	Regulator & fittings .....	21
Cargo deck .....	2	Screen door & related parts .....	18
Cargo deck gates "rear" .....	14	Seat bench components .....	12
Cargo deck & rail "front" .....	2	Shower curtain .....	19
Cargo tie down anchors .....	2	Shower curtain rod .....	23
Caulking .....	11	Shower stall w/potty components .....	13
Converter & related parts .....	10	Shower drain components .....	13
Coupler assembly .....	2	Sink & related parts .....	14
Crank-up/crank-down components .....	4	Spare tire cover (black vinyl) .....	2
Crank handle .....	20	Spare tire mount & components .....	2
Cushion assemblies & covers .....	19	Speaker .....	10, 11
Door bulkheads .....	8	Stabilizer assembly .....	2
Drain assy./drain hose (used on sinks) .....	14	Stabilizer handle/lug wrench combo .....	20
Drape packages & related parts .....	19	Step components.....	2
Electric brakes & related parts .....	3	Stove/oven "galley area" .....	7
Fire extinguisher & components .....	10	Stove mounting bracket .....	6
Floor covering .....	2	Taillights (rear bumper) .....	2
Frame assembly & related parts .....	2	Tent support assemblies & related parts .....	14
Galley components .....	12	Tenting & related parts (sunbrella) .....	22
Gas detector .....	10	Thermostat (Hydro Flame) .....	10
Gas hose (gas bottle hook-up) .....	21	Thrust bearing .....	4
Gas hose (RVQ grill hook-up) .....	21	Tie backs (curtains) .....	19
Gas bottle mounting brackets .....	21	Tie down anchors .....	2
Gas quick disconnect (outside gas hookup) .....	21	Tire & rim .....	2
Gas bottle cover (black vinyl) .....	21	Tire cover "black vinyl" .....	2
Gas bottle & related parts .....	21	Tongue jack & related parts .....	2
Gas bottle tray .....	2	Top assemblies & related parts .....	23
Grease cap (dust cap) .....	3	Water heater .....	15
Heater vent (plastic) .....	12	Water faucet .....	12
Heater return air vent .....	12	Water system & related parts .....	15
Hub assembly & related parts .....	3	Wheel well .....	2
Lift assemblies & related parts .....	5	Whiffletree & related parts .....	5
Lift trim & miter covers .....	8, 9	Zippers (tenting assemblies) .....	22
Lug wrench .....	20		
Mattress assemblies & covers .....	19		
Mud flaps .....	2		

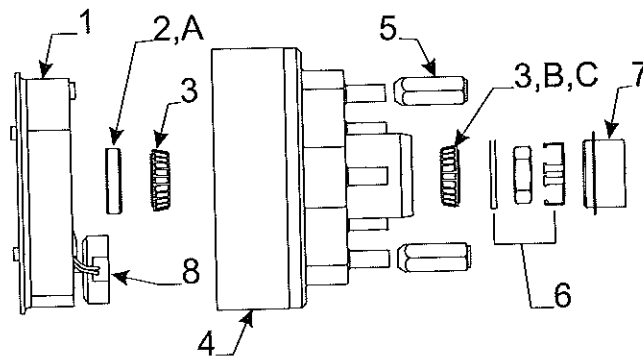
Axle/Brakes - Dexter .....	574/295-7800
Cassette Potty - Thetford .....	800/354-4135
Converter - World Friendship Co. ....	800/900-2468
Furnace - Hydro Flame #7916-11 .....	800/546-8759
Hand pump - Leisure Components.....	562/865-0401
Power Lift - Barker .....	888/367-6978
Refrigerator - Dometic .....	800/216-5115
Oven/Range - Atwood Greenbrier .....	800/646-8557
Stove/Grill - Vitco .....	877/825-8528
Tires - Kenda .....	800/225-4714
Water heater - Suburban #5031E .....	423/775-2131
Yakima bike rack - to obtain repair parts .	800/925-4621



\* 6610007210P floor covering 8' W x 9' L  
 \* Prior Authorization Needed From Factory

Note: Coupler, Safety chains... must be ordered through Lippert Components (chassis service) at -574/642-3927

Flat Rate	Code	Component Part #	Parts - 4148 S1 Description	FR	Code	Part #	Description
.50	1	4713-0251	frt. deck rail kit	.15	16	4714J08581	red marker light
.25	2	4800-1101	tongue jack w/plate	.10		4716A4561	red lens (lens only)
.10	3	4701-1571	tie down anchor	1.00	17	4800D1441	bumper
.25	4	4800A2011	lock arm plate	.15	18	4739B4311	tag light
*	5	4800B5641	rear cargo deck	.05	19	4732-1181	plastic grommet m4
*	6	3530800001	cs/rs alum. extrusion	.05		1121C1618	license plate screw x2
.25	7	4800-6161	spare tire mount	.20	20	4800A1451	red marker light "round"
*	8	4800C5541	front deck platform	.15	21	4800-0431	step light
.30	9	4716B7151	battery angle pkg.	.50	22	4701-15061	double step
.50	10	4800B441	dual gas bottle tray	.20	23	4701A0601	taillight & gasket
.25	11	4751-8451	battery box "plastic" x2		24	4716-5871	wire harness repair kit
.25	12	4800-2438	scorpion logo			1201-8738	3/8" clamp
.25	13	4701A2491	stabilizer assembly			1203C8721	steel rivet m25
		4800-6771	sand shoe pkg.			4742-8108	1 1/4" snap bushing
		4761-2401	stabilizer crank handle		25	4746A5591	pigtail - "car end"
.20	14	4800A5681	mud flap pkg. rt./lt.	.15	26	4716A5001	12 volt power harness
.25	15	4800-2338	tire rim ST205/75R-15		27	4749B5531	12v wire harness m2
.25		4763-1508	spare tire/rim ST205/75D-15C		28	4716A4701	12 volt cap & plug m2
		4701-5671	vinyl tire cover "black" 15"		29	4350000051P	non-skid tape (3' pc.)

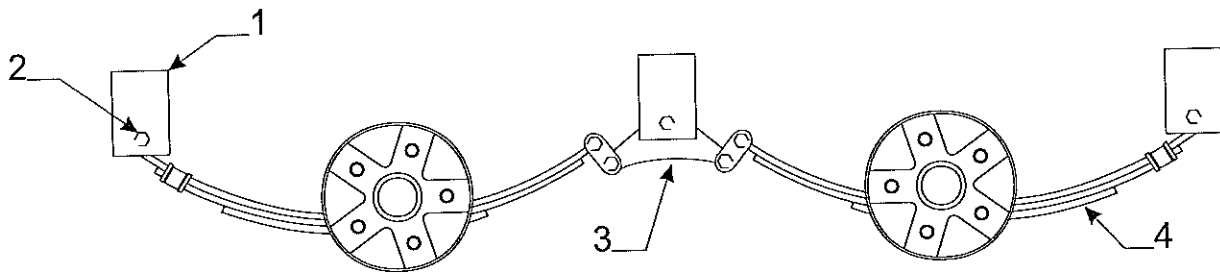


**Flat Rate .50 Per Side**  
**Electric Brake Pkg. 10 x 2 1/4" (4714J2011)**

Flat Rate	Code	Part #	Description
.50	1	4716-6251	10" brake assembly (right hand)
.50		4716-6261	10" brake assembly (left hand)
.50	2	4716A1441	10" grease seal (2 per pack)
.50	3	4716A1451	10" bearing, race & seal pkg.
.30	4	4716-1431	10" hub & drum x2
.05	5	4772-3601	lug nuts m5
.10	6	4714A3061	retainer package
.05	7	4714C0621	EZ lube grease cap m4
	8	4716-2881	10" magnet, spring & clip pkg.

**Crossover Numbers To Purchase Locally**

<b>A</b>	K71-303-00 Grease Seal
<b>B</b>	L44649 Bearing "outer" - L68149 Bearing "inner"
<b>C</b>	L44610 Race "outer" - L68111 Race "inner"



4800A1431 3500 10" brake axle assy. x2

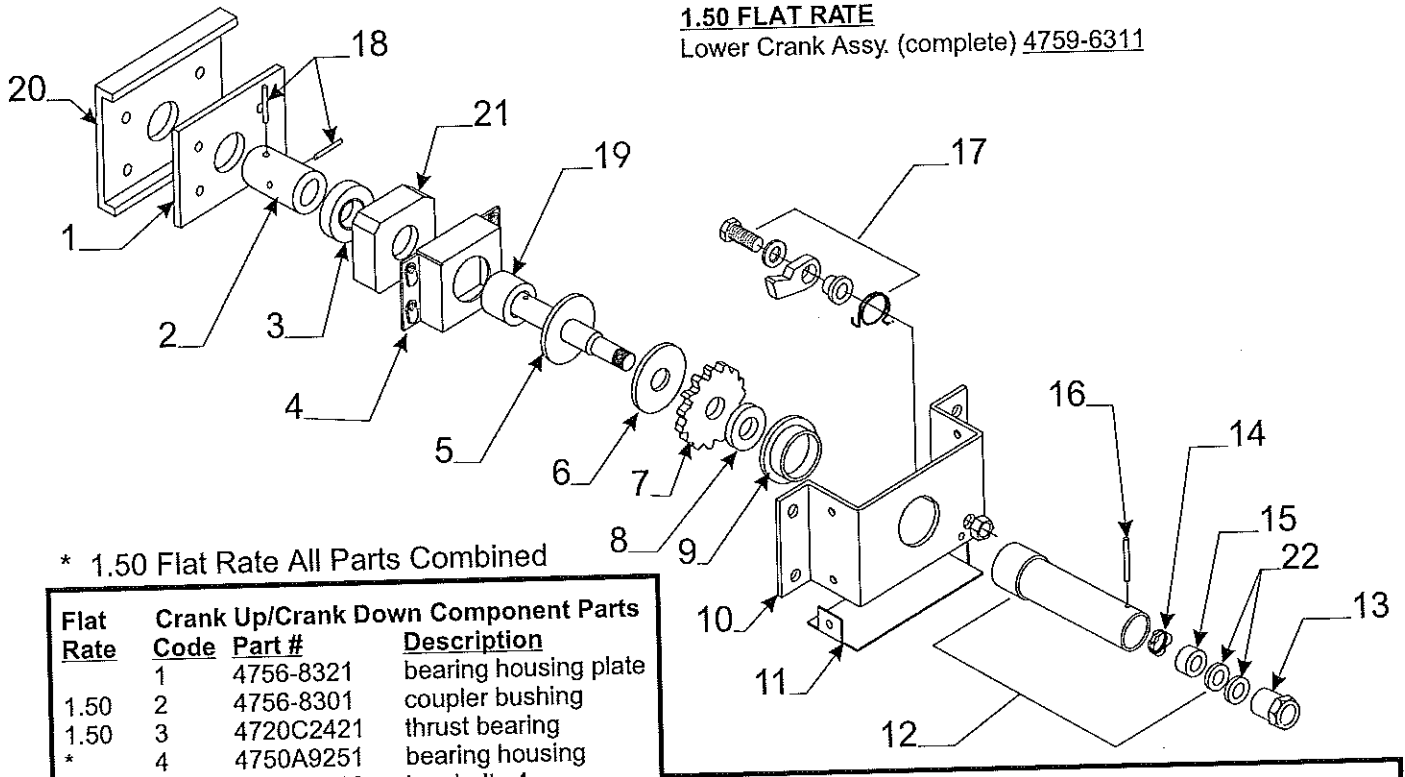
NOTE: Refer to Dexter Axle for required part(s)/service phone - (574) 295-7888

Flat Rate	Code	Part #	Description
*	1		
.25	2	4737A1318	shackle bolt
		4741-9498	shackle bolt nut
	3	4765A4911	suspension kit
.75	4		Must order through Dexter Axle Dexter PART# 072-018-00

\* Prior Authorization Needed from Factory

**1.50 FLAT RATE**

Lower Crank Assy. (complete) 4759-6311



\* 1.50 Flat Rate All Parts Combined

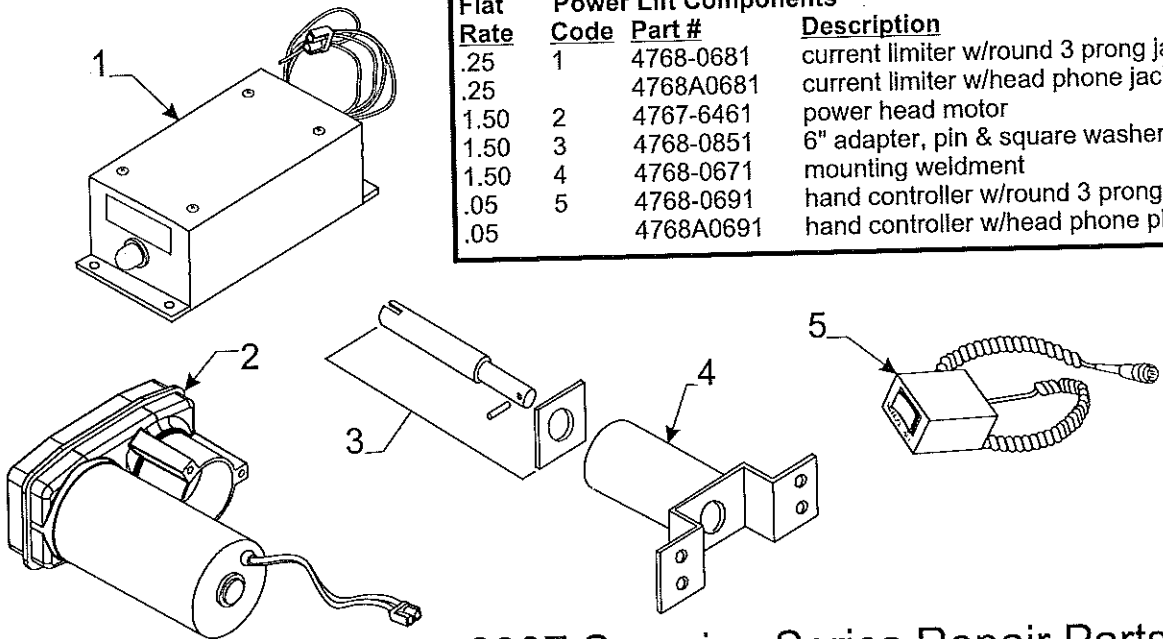
Flat Rate	Crank Up/Crank Down Component Parts Code	Part #	Description
	1	4756-8321	bearing housing plate
1.50	2	4756-8301	coupler bushing
1.50	3	4720C2421	thrust bearing
*	4	4750A9251 4738A0898	bearing housing hex bolt x4
*	5	4751A3701	drive shaft & nut
*	6	4751-3561	pressure plate
*	7	4751-4831	ratchet wheel
*	8	4751-3581	pressure washer
*	9	4751A3591	shaft bushing
*	10	4751B3691 4731-3878 1201B6038	crank housing hex head bolt x4 lock nut x4
*	11	4751-3721 1203-8641	housing cover plate rivet m25
.75	12	4716A1741	drive hub ext. pkg.

FR	Code	Part #	Description
	13	*4751B3551	5/8" nut
.50	14	*4752-3921	handle spring x1 m2
.50	15	*4751-4671	nylon washer x1
.10	16	*4747A9451	spiral roll pin x1 m6
.60	17	4716-1221	ratchet pawl pkg.
1.00	18	4701-3261	3/16" x 1 1/8" shear pin m10
1.50	19	4756A8311	spacer bushing
	20	4720F2411	plate "painted"
1.50	21	4756-8441	bearing house square spacer
	22	4757-3938	washer x2

Note: pkg. Includes parts marked w/\* asterisk

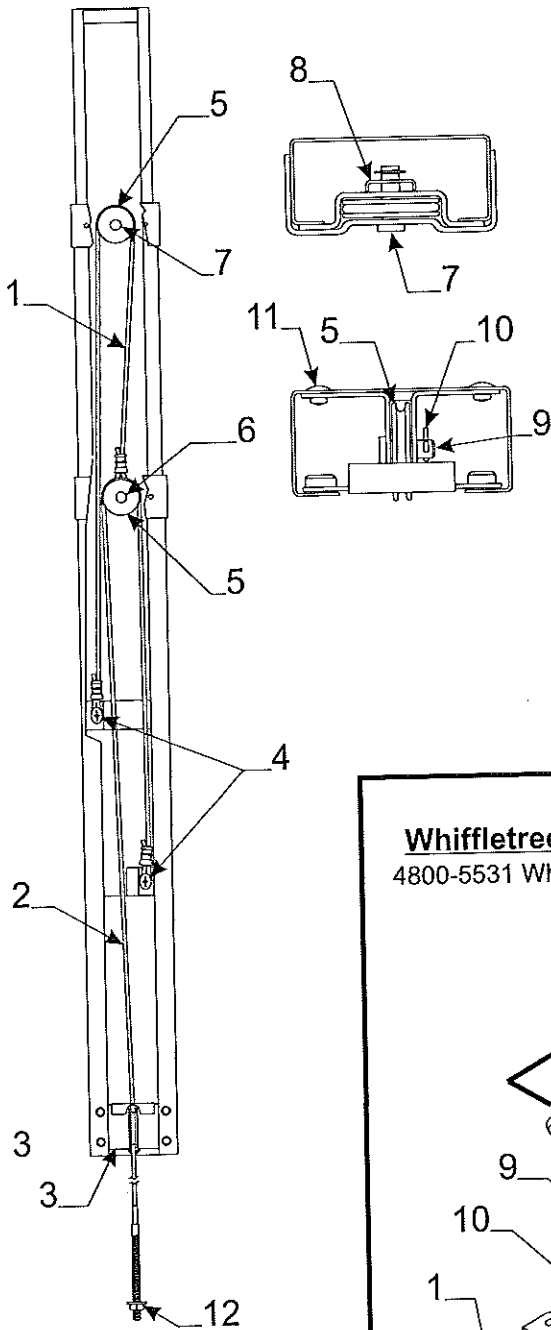
**Flat Rate Power Lift Components**

Flat Rate	Code	Part #	Description
.25	1	4768-0681	current limiter w/round 3 prong jack
.25		4768A0681	current limiter w/head phone jack
1.50	2	4767-6461	power head motor
1.50	3	4768-0851	6" adapter, pin & square washer
1.50	4	4768-0671	mounting weldment
.05	5	4768-0691	hand controller w/round 3 prong plug
.05		4768A0691	hand controller w/head phone plug



### Lift Assy. Flat Rate 1.25

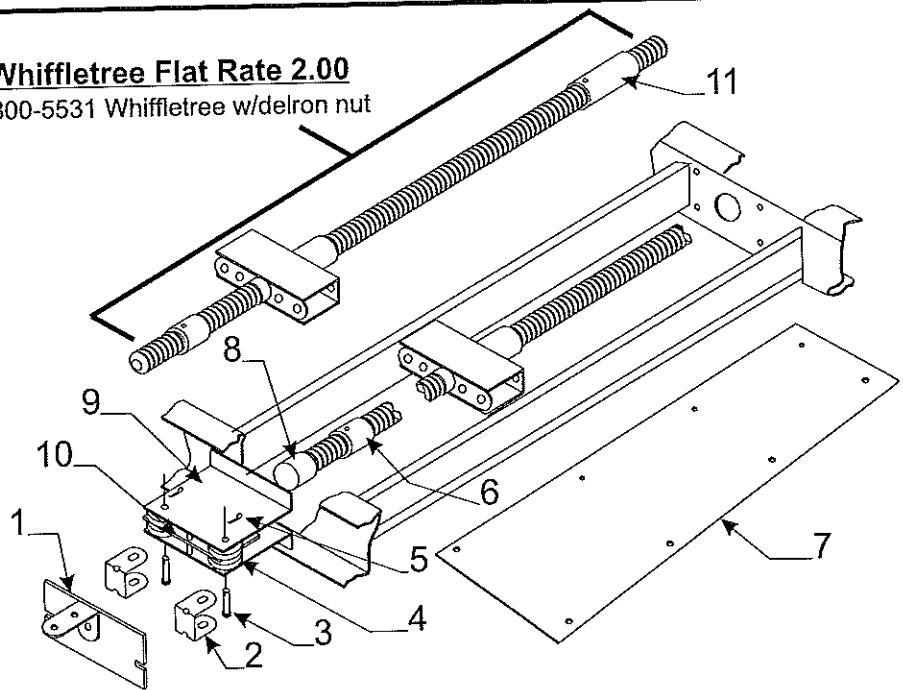
4772A5091 lift assy. roadside rear/curbside front  
 4772A5101 lift assy. roadside front/curbside rear



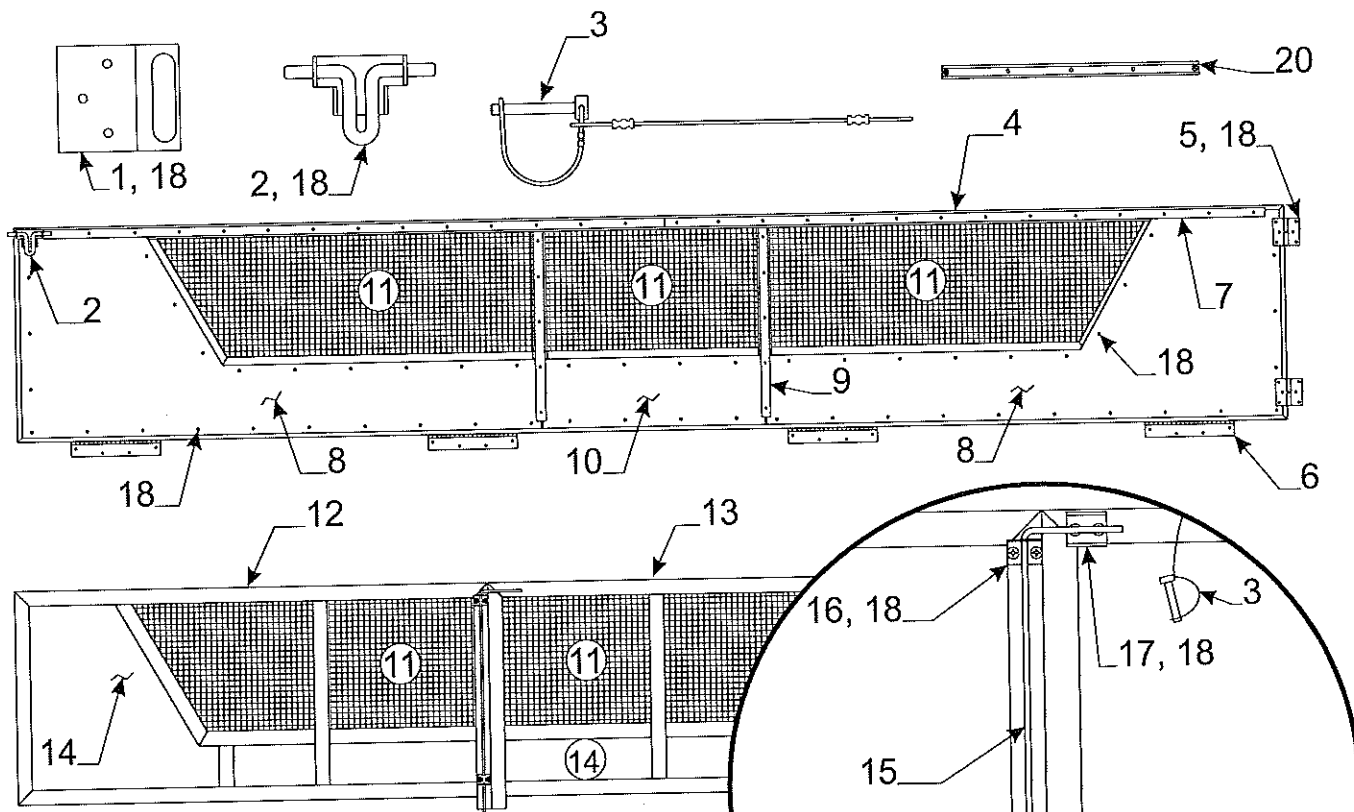
Flat Rate	Lift Assembly Component Parts Code	Part #	Description
.75	1	4720D5271	cable assy. x1 m2
		4720C1691	cable crimp m20
1.25	2	4773-2291	225 3/4" long cable & crimp
		4744-1318	copper cable crimp m10
1.25	3	4731C5801	butterfly bracket assy.
.05	4	4749-2081	screw m6
.50	5	4715A5371	steel pulley & bearing m10
.25	6	4747-8931	long pin x2
		4730B0981	retaining ring m12
.25	7	4749-4061	short pin m4
		4730B0981	retaining ring m12
.25	8	4749A2028	retaining clip
.45	9	4720C1578	lift pin m4
	10	1204B1081	cotter pin m10
	11	1203-8641	rivet m25
	12	1201B6378	1/4" lock nut
		1202E0408	washer

### Whiffletree Flat Rate 2.00

4800-5531 Whiffletree w/delron nut

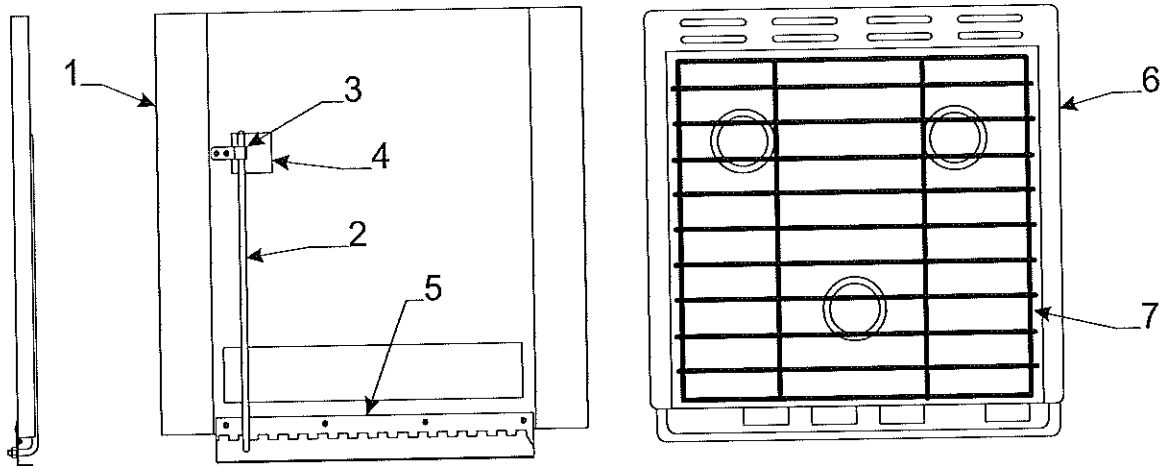


Flat Rate	Whiffletree & Related Parts Code	Part #	Description	Flat Rate	Code	Part #	Description
.15	1	4749A821	mud flap & brkt.	.25	7	4752B4921	whiffletree pan cover
.50	2	4744B1741	cable retainer x2			4755-4611	tek screw m25 (fasten pan in place)
.20	3	4720J1561	long pin m4				
.50	4	4715A5371	pulley & bearing m10	2.00	8	4730D1291	screw socket (welded)
.10	5	1204B1081	cotter pin m10	2.00	9	4720-1551	pulley plate
1.60	6	4710B4248	bushing	.50	10	4715D5661	pulley spacer
		4744A1301	solid shear pin m10		11	4772A184	bushing 3"

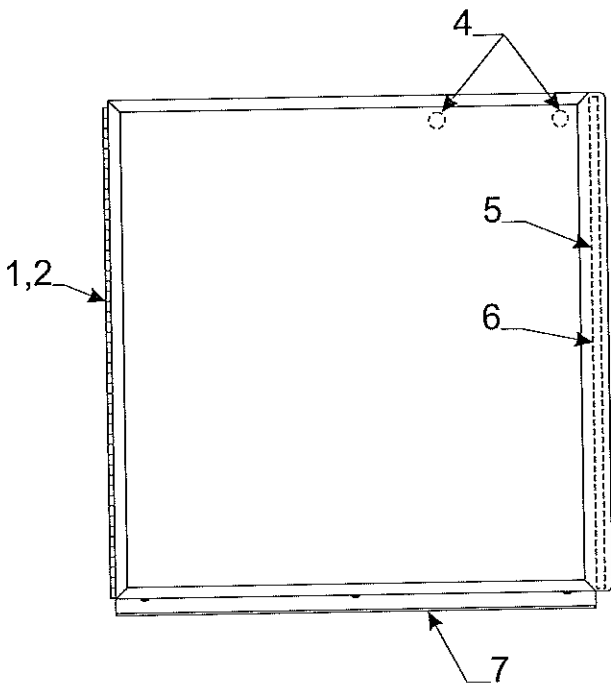


Rear Cargo Side/Rear Gates & Related Parts			
FR	Code	Part #	Description
.15	1	4800-1991	latch bracket
.15	2	4800-1981	gate latch
.10	3	4765-6101	snapper pin & cable
.75	4	4800C518S1	cs/rs gate assy. "silver"
.75		4800C518Y1	cs/rs gate assy. "yellow"
.25	5	4800-1971	lift-off hinge roadside x2
.25		4800-2441	lift-off hinge curbside x2
.50	6	4800-193	hinge x4 (welded to gate)
.20	7	4800-195	horizontal trim "black"
.50	8	4800C024S	side panel (frt./rear) "silver"
.50		4800C024Y	side panel (frt./rear) "yellow"
.10	9	4800-196	vertical trim "black"
.25	10	4800B068S	side panel "silver" (center)
.25		4800B068Y	side panel "yellow" (center)
.50	11	4800B094	side grating "frt./rear"
.50		4800A095	side grating "center"
.50		4800B096	rear grating "rt./lt."
.25	12	4800B519S1	left rear gate assy. "silver"
.25		4800B519Y1	left rear gate assy. "yellow"
.25	13	4800B565S1	right rear gate assy. "silver"
.25		4800B565Y1	right rear gate assy. "yellow"
.50	14	4800C069S	rear panel cs/rs "silver"
.50		4800C069Y	rear panel cs/rs "yellow"
.20	15	4800A1901	gate lock arm
.10	16	4800-1891	lock arm keeper x2
.10	17	4800A1911	lock arm bracket
	18	4758-9921	tek screw "black" m12
	19	4800-2461	gate hold down brkt.
		4758-8001	rivet m25
.25	20	4767-436G1	stove/grill support brkt.



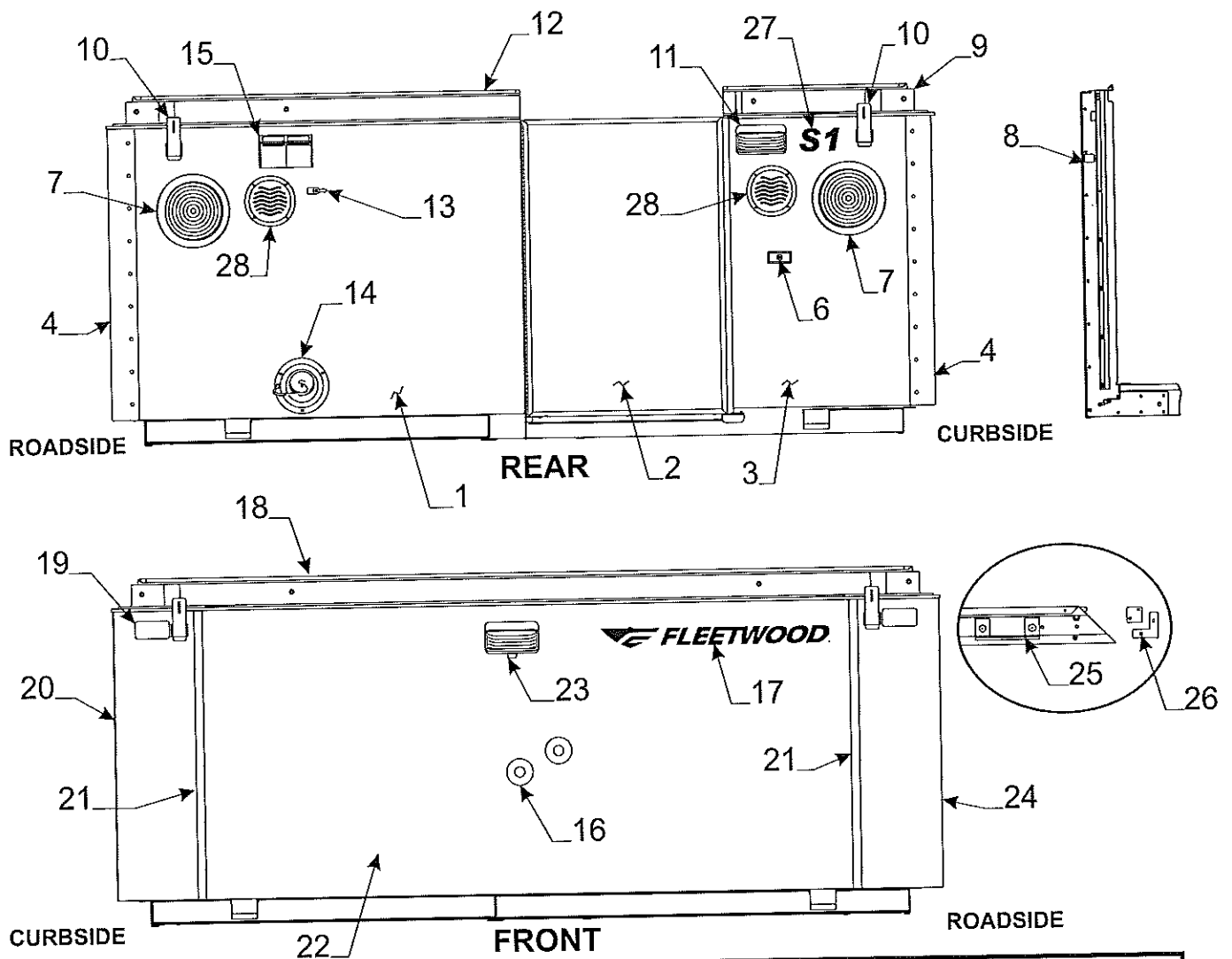


Flat Rate	Oven/Range Code	Components Part #	Description
.15	1	4772A5701	oven/range cover assy.
.15	2	4772A1801	steel prop rod
		4772-283	nylon washer x2
		1201B6378	nut
	3	4720A0721	plastic clip m2
		4734J1861	rivet "black" m25
	4	4350000126	flex-tred abrasion tape
	5	4772A397	cover hinge
.10	6	4716A2911	3 br. range/oven cook top
.05	7	4716-2901	3 br. range/oven grate



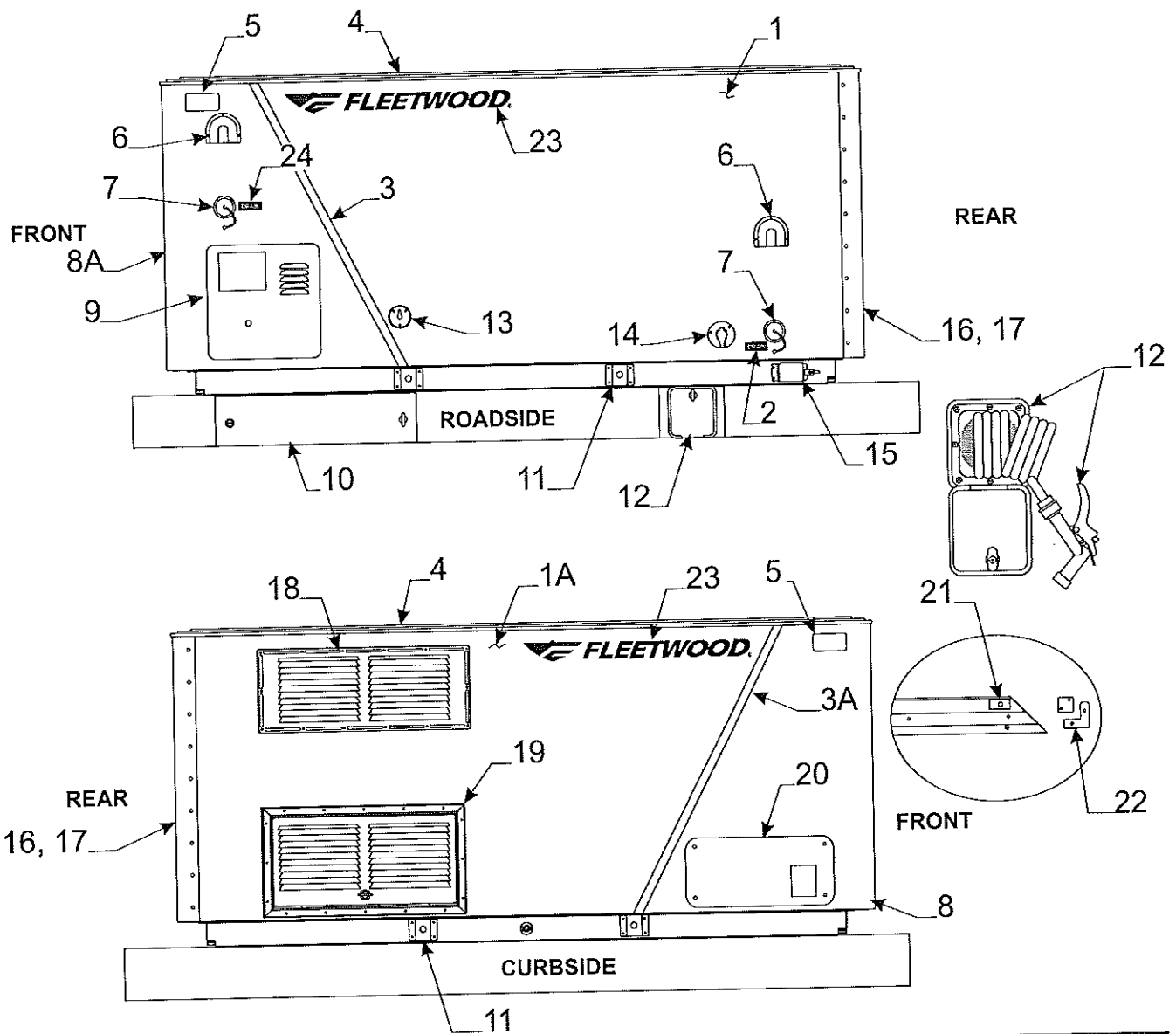
4800A570S1 Access Door Assy. "silver"  
 4800A570Y1 Access Door Assy. "Yellow"  
 Flat Rate .50

Flat Rate	Access Door Code	Assembly Components Part #	Description
.25	1	4800-3441	door hinge
.35	2	4800-3491	door frame
.25	3	4701-0891	door cap (all)
	4	4730A3548	stud & screw
		4701-5251	access door strap
		<b>Note:</b> strap located on rs deck rail	
.20	5	4060000023P	d-seal pkg. (5' pc.)
.25	6	4800A3511	door frame
		4716-081	screw x2
.25	7	4701-0921	bottom trim
		4745-3968	screw x2



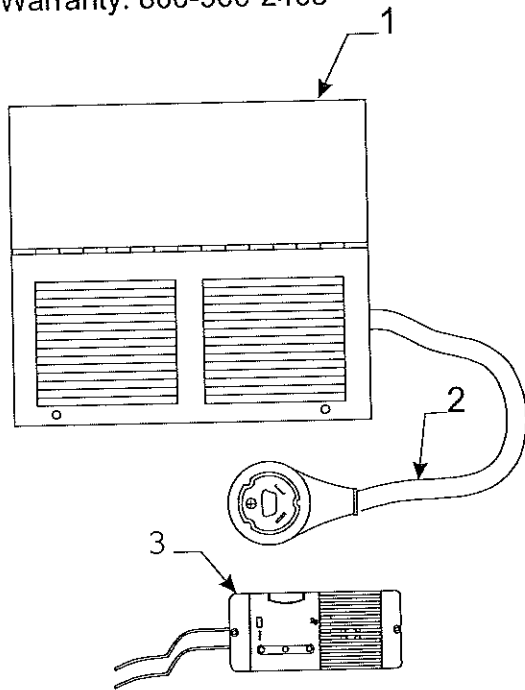
**Front & Rear Body Panel Components**

FR	Code	Part #	Description
Flat	.15	13	4738-3941 turn button "plastic"
Rate	.30	14	4731D1711 water tank spout
1.00	1	4800D009S1	lt rr body pnl. "silver"
1.00		4800D009Y1	lt rr body pnl. "yellow"
.50	2	4800A570S1	access door "silver"
.50		4800A570Y1	access door "yellow"
1.00	3	4800D013S1	rt rr body panel "silver"
1.00		4800D013Y1	rt rr body panel "yellow"
.50	4	4800C0631	rear corner pnl. rs/cs
.20	5	4758-9921	tek screw "black" m12
1.00	6	4730C3111	lock handle (w/key)
1.00		4772-6411	latch, strike & lever
.20	7	4800-0111	security light
1.25	8	4800-6121	door bulkhead "right"
		4772-0301	bulkhead stop angle
1.25		4800-6201	door bulkhead "left"
1.00	9	4800B025	body rail "rt. rear"
		4716-2771	vel-stick body rail pkg.
.15	10	4741C6041	top latch
		4767-1701	tek screw m12
.25	11	4752-9921	porch light
.10		4716-5511	porch light lens "amber"
1.00	12	4800-343	body rail "lt. rear"
		4716-2771	vel-stick body rail pkg
			25
			26
			27
			28

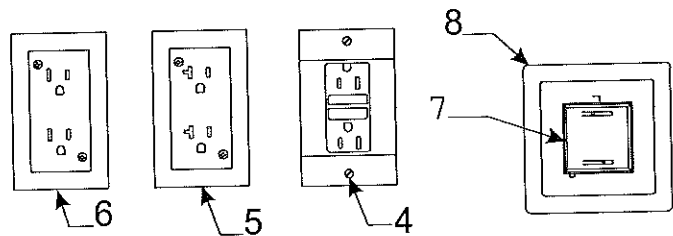


CS/RS Body Panel & Components				Flat Rate	Code	Part #	Description
Flat Rate	Code	Part #	Description	.25	10	4800A5711	power cord hatch door
1.50	1	4800A0311	rs left body panel			4800A1361	thumb turn
2.50	1A	4800-3421	cs right body panel			4751D8301	lock
	2	4744C2668	drain decal "black"			4800A137	compartment box
.20	3	4800-065	rsf trim "black"	.25	11	4716-0671	bed leg pin & brkt.
.20	3A	4800-071	csf trim "black"	.30	12	4701-2401	outside faucet & hatch
1.00	4	4754-8681	body rail	.15		4701-2421	coiled hose & nozzle
.15	5	4714J08481	amber marker light	.25	13	4757A4871	coax cable outlet
.10		4716A4571	amber lens (lens only)	.30	14	4732F1521	city fill
.25		4733H1311	socket & harness	.20	15	4752-5831	gas outlet cover/hinge
.15	6	4757-9261	vent cover "plastic"			4738-3941	turn button
.10	7	4714A2861	drain cap & strap	.50	16	4800C0631	rear corner pnl. rs/cs
.50	8	4800-347S1	csf body trim "silver"	.20	17	4758-9921	tek screw "black" m12
.50		4800-347Y1	csf body trim "yellow"	.50	18	4747D8321	refrigerator vent "upper"
.50	8A	4800-348S1	rsf body trim "silver"	.50	19	4747D8331	refrig. vent hinged "lower"
.50		4800-348Y1	rsf body trim "yellow"	.20	20	4765A1201	furnace door
.25	9	4716-1331	water heater door		21	4754A8491	nylon bed slide/screw
				.15	22	4716-7061	miter cover pkg. m4
				.25	23	4701-2628	Fleetwood logo 18"

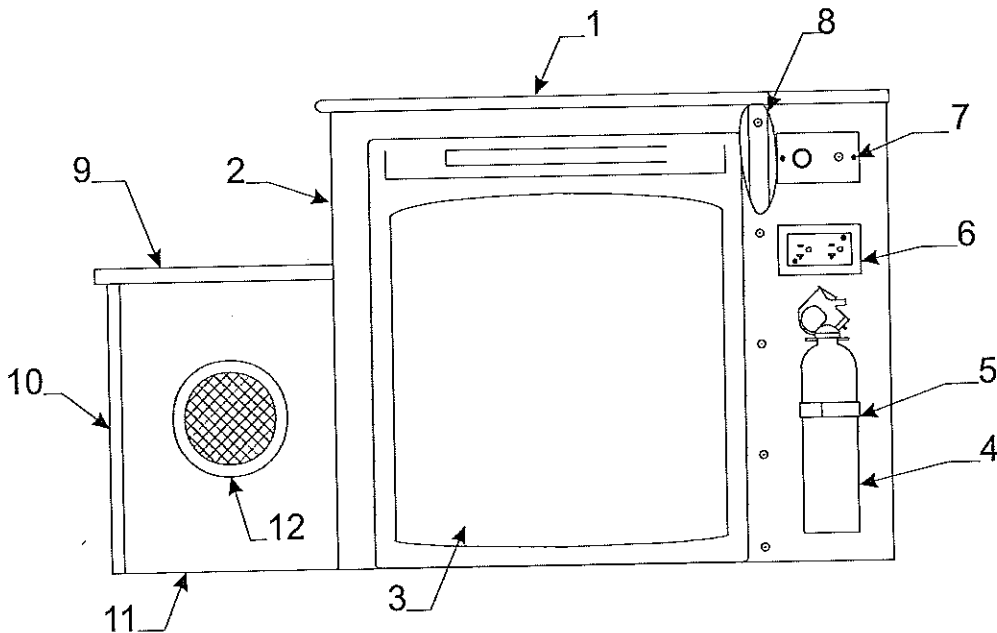
**WORLD FRIENDSHIP CO., LTD**  
 Warranty: 800-900-2468



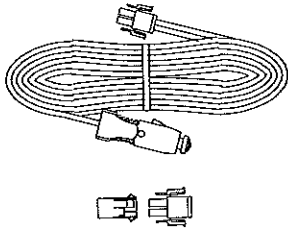
Flat Rate	Code	Part #	Description
1.00	1	4772A2441	converter 35 amp WFCO
.30		4757-3401	15/20 amp double breaker
.30		4757-3411	15/15 amp double breaker
.30		4765-9841	15 amp single breaker
.30		4757-8601	30 amp main breaker
.60	2	4772-1601	power cord 32 ft.
.25	3	4753B9171	lp gas detector
.35	4	4746B3841	15 amp GFI receptacle (white)
.20	5	4752-2371	20 amp receptacle (white)
.20	6	4752-2361	15 amp receptacle (white)
.20		4765-4041	15 amp reefer receptacle (white)
		4746A3851	receptacle box
	7	4752A8461	thermostat
.20	8	4701-2341	plastic base & bracket



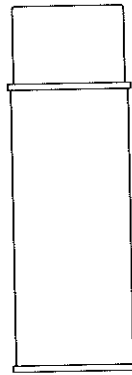
Corner Cabinet Assy.				Flat Rate	Code	Part #	Description.
Flat Rate	Code	Part #	Description				
.25	1	4800D0991	cabinet top		7	4757B4881	12v/coax outlet
.30	2	4800-073	cabinet frt/side	.25	8	4800-072	cabinet baffle S1
	3	4772A245	refrigerator 3.0 cu. ft.	.25	9	4800-4671	step top
.25	4	4737A5558	fire extinguisher	.35	10	4060115606P	f-channel 48" m2
	5	4761-9131	mount w/strap		11	6010415698P	5/32" luan "blk" 48" x 48"
.30	6	4752-2371	20 amp receptacle	.15	12	4800A3911	speaker/grill



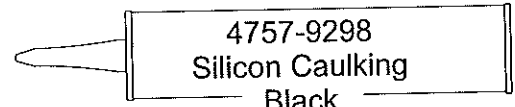
4733D6701 auto extension



4716A4701 12 volt cap & plug m2



16 oz. spray

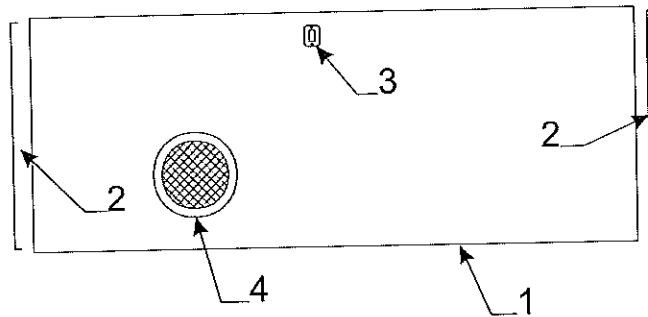


4757-9298  
Silicon Caulking  
Black

4701A1958  
Caulking Black

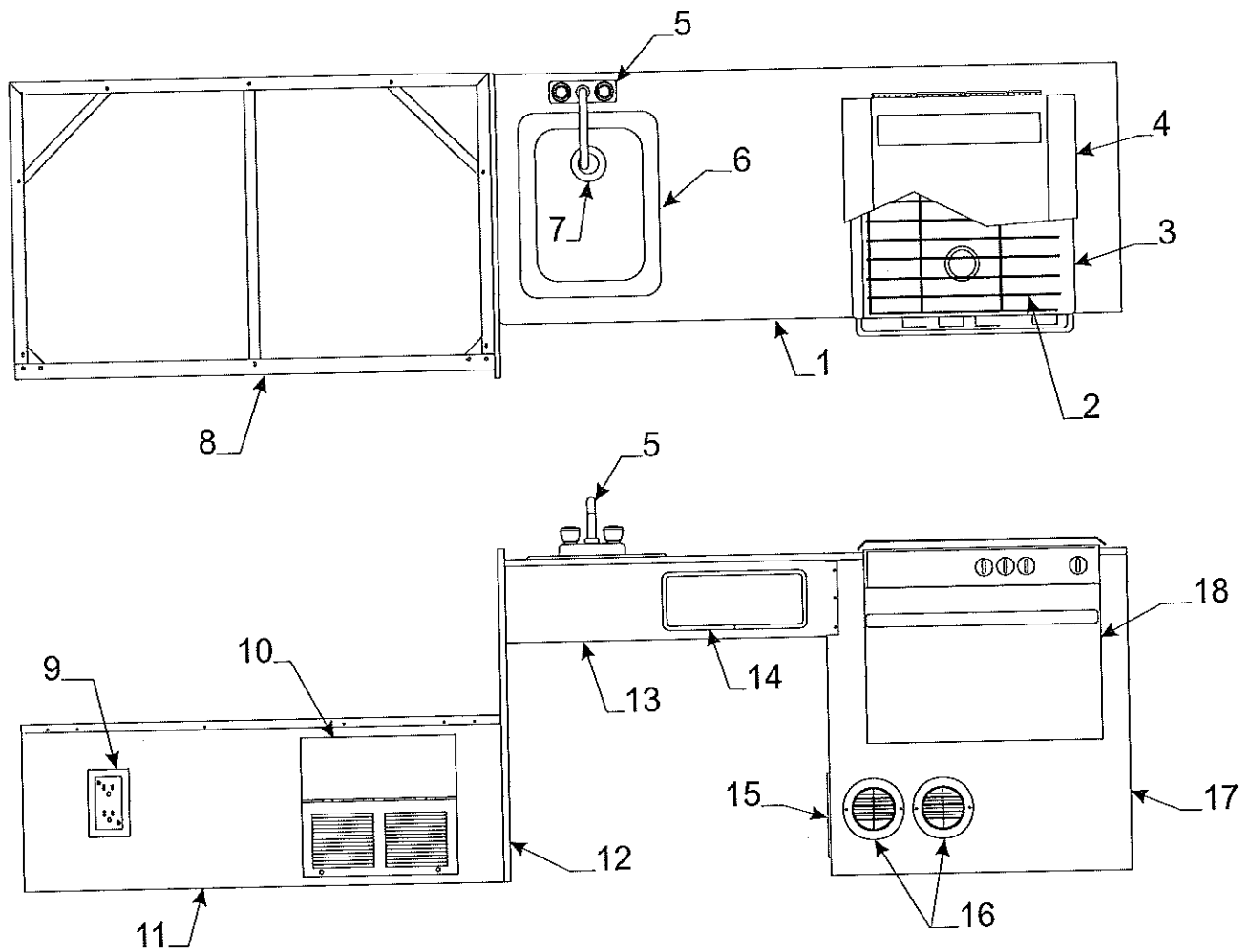
4745C3908  
Caulking Arctic White

- 0008-2571 black
- 0008-2641 black textured
- 0008-2561 white
- 0008-2691 silver/pewter textured
- 4713-0101 yellow textured

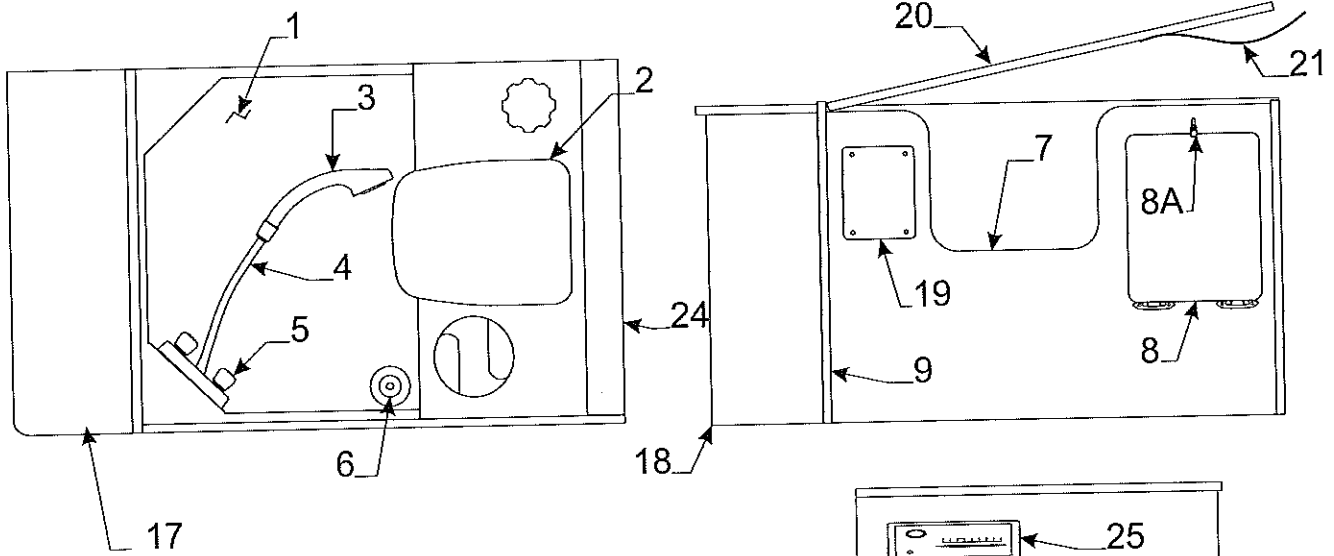


\* Prior Authorization Needed

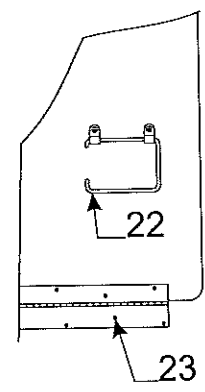
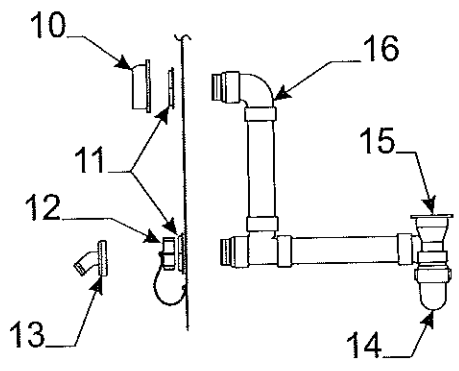
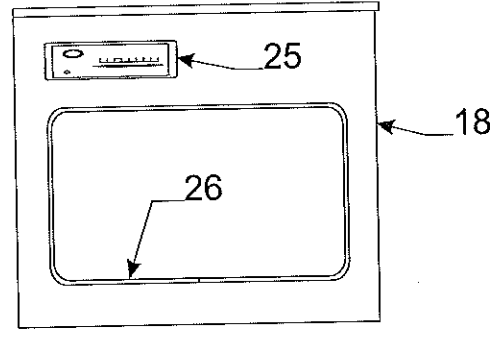
Flat Rate	Paneling & Trim (Must Cut To Size)		
	Code	Part #	Description
*	1	6010415698P	wall panel 48" x 48" "Black"
*	2	4064700378P	corner divider m2 48" pc. "Black"
	3	4800-0451	kill switch plate
.15	4	4800A3911	speaker "white"



Galley Components				
Flat Rate	Code	Part #	Description	
1.00	1	4800B3551	galley top	
.05	2	4716-2901	range/oven grate	
.05	3	4716A2911	range/oven cook top	
.30	4	4772A5701	range/oven cover assy.	
			<b>Note: refer to page 7 for cover components</b>	
1.00	5	4745E2741	mixer faucet	
.30	6	4710F0301	stainless steel sink	
	7	4714C0661	crumb cup & basket	
1.00	8	4800-629	seat frame assy.	
.20	9	4752-2361	15 amp receptacle	
1.00	10	4772A2441	35 amp converter	
.20	11	6010415698P	wood pnl. 48" x 48"	
.75	12	4800-3601	seat gazoodi	
.30		4064700091P	t-molding (8' pkg.)	
1.00	13	4800A353	galley front/shelf	
	14	4066500053P	edge molding "black" (8' pc. pkg.)	
.20	15	4800A2241	return air vent "black"	
.15	16	4800-0601	round heater vent "black"	
1.50	17	4800-354	galley front 'metal'	

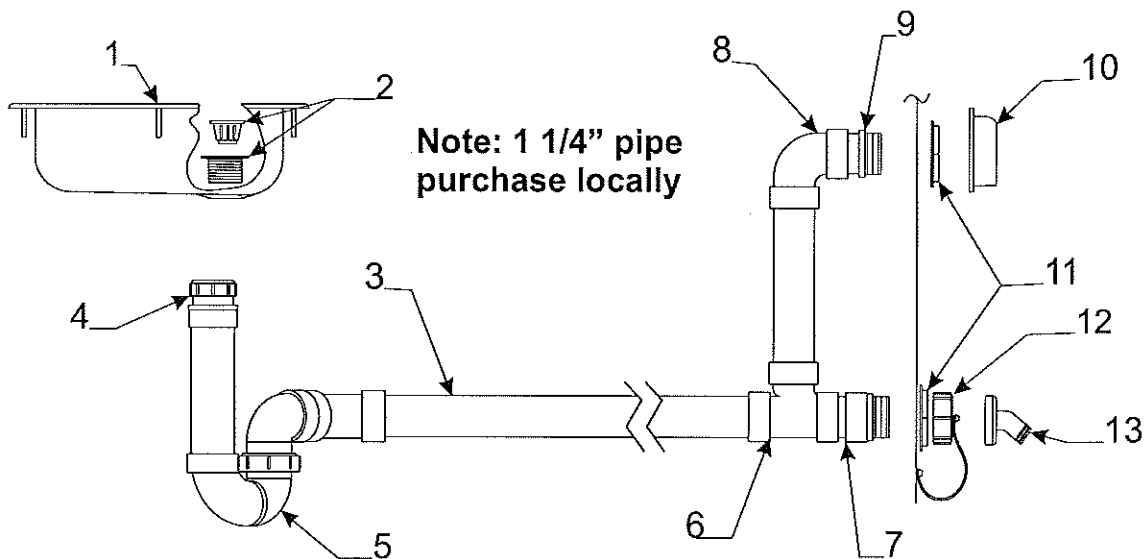
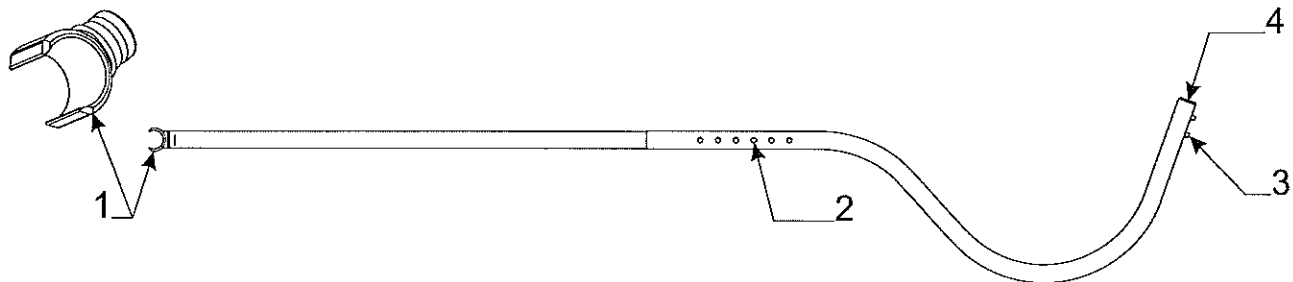


Flat Rate	Code	Part #	Description
1.50	1	4759B1001	shower pan
.75	2	4746D2461	cassette potty
.15	3	4767-0101	shower head w/bracket
		4767-0111	shower head brkt. (c-shape)
.20	4	4741B2051	shower hose (72" length)
.50	5	4741B2071	shower diverter
.10		4716-0848	shower hose connector
.50	6	4746A1821	basket & strainer
1.50	7	4800A4031	shower threshold
.30		4060300083P	t-molding (threshold) (12' pc.)
.15	8	4800A5411	hinged door
.15	8A	4702-0321	turn latch & rivet "black"
.75	9	4800-4021	shower wall
.30		4060400091P	1/2" t-molding pkg. (12' pc.)
.20	10	4757-9261	vent cover "plastic"
.50	11	4757-0921	metal nut "white"
.10	12	4714A2861	cap & strap
	13	4737-9138	drain adapter
.40	14	4752-3621	p-trap w/union joint
	15	4757-8561	drain plug adapter
1.00	16	4741B9301	vent system
.25	17	4800A4211	cabinet top
.50	18	4800-4221	cabinet frt./side panel
.10	19	4800-4051	access cover
.40	20	4800-6491	shower cover board
.05	21	4754-7401	hold-up strap
.15	22	4756-9121	TP holder
		4747-2531	nylon clamp m2
.25	23	4800-4451	shower board hinge
	24	4800-4041	shower back angle
.50	25	4765C1121	am/fm cd radio
		4765A1141	wire antenna w/plug
	26	4066500053P	edge molding "black" (8' pc. pkg.)
	27	4741D6361	tub package. (Not Shown)



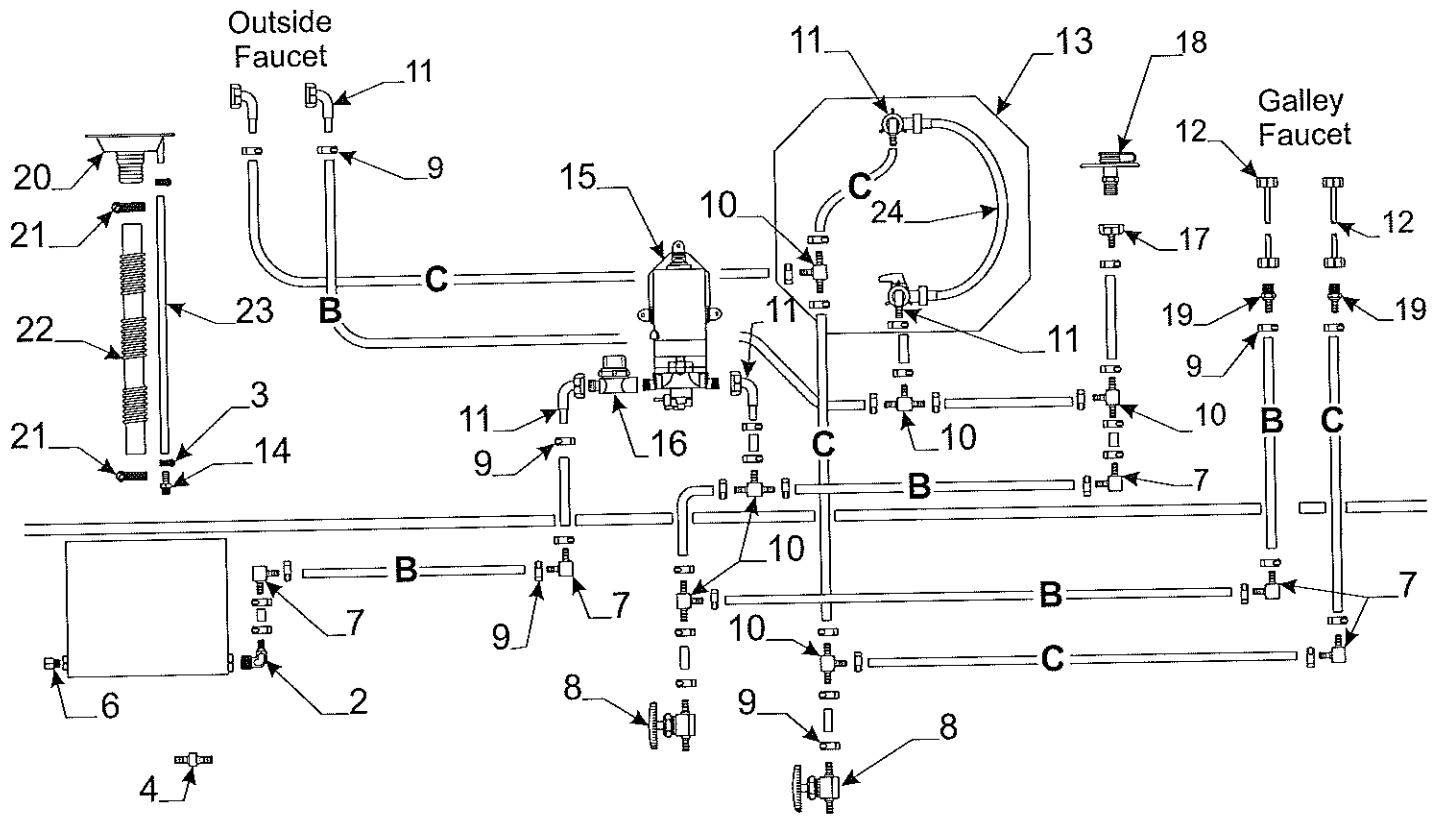
Tent Support Components			
Flat Rate	Code	Part #	Description
.20	1	4757-4301	tent support clasp m10
.10	2	4734-6708	spring assy.
.10	3	4734A6708	spring assy.
.10	4	4752A0561	tube closure "black" m2

Tent Support Assemblies (Complete)	
Flat Rate .10 per Tent Support	
<u>Curbside Bed</u>	<u>Roadside Bed</u>
4754C7501	4800A6531

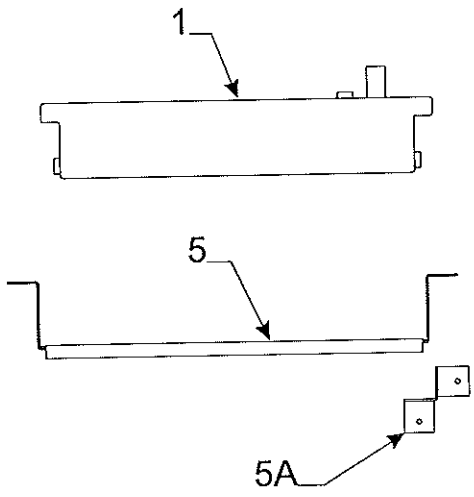


Sink & Plumbing Component Parts			
Flat Rate	Code	Part #	Description
.30	1	4710F0301	sink "stainless"
.05	2	4714C0661	crumb cup "only"
.25		4730E3151	crumb cup & basket
	3		PURCHASE LOCALLY
.75	4	4800-6331	drain trap assy.
		4757-9131	1 1/4" rubber washer
.40	5	4752-3621	p-trap w/union joint
	6	4757X930	tee w/baffle
	7	4765-3621	adapter MPT
	8	4765-357	elbow
	9	4757-927	adapter FTG
.20	10	4757-9261	vent cover "plastic"
	11	4757-0921	1 1/2" nut
.10	12	4714A2861	cap & strap
	13	4737-9138	drain adapter



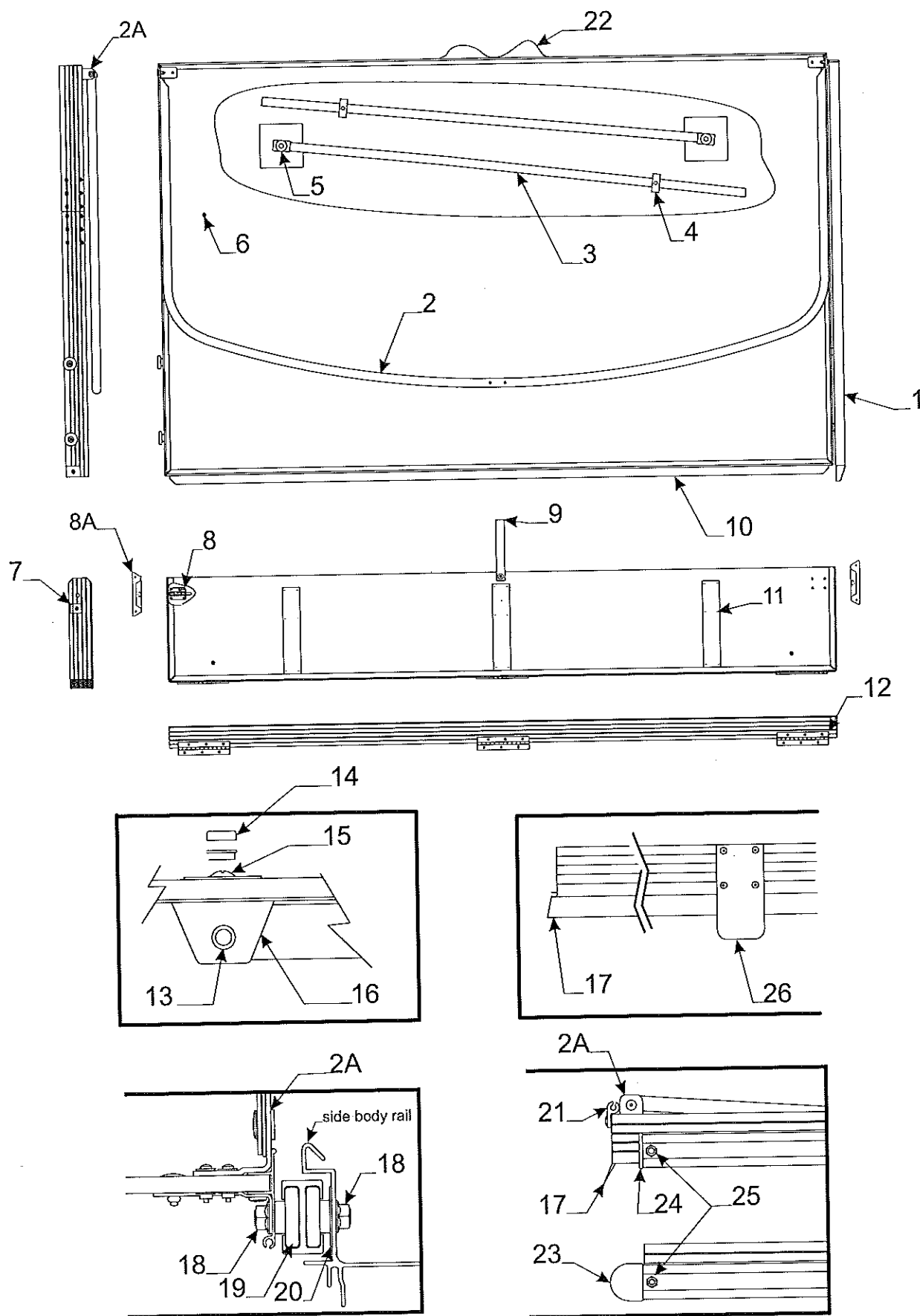


B 4060050006P 3/8" I.D. Pex tubing "cold" (20' pc. pkg.)  
 C 4060050007P 3/8" I.D. Pex tubing "hot" (20' pc. pkg.)  
 4714-038 3/8" I.D. High pressure hose (sold/foot)



Flat Rate	Water System & Related Parts Code	Part #	Description\
1.50		4800A0741	water tank
.25	2	4741C2371	elbow "plastic"
	3	4731-3058	adjustable hose clamp 3/8"
	4	4755-4821	brass barbed union m10
.20	5	4800-112	tank hanger brkt. x2
.20	5A	4800-113	tank hanger corner brkt x4
.15	6	1218-7001	plug
.25	7	4741C2391	brass elbow "Pex" m2
.20	8	4741E2361	brass line drain "Pex"
.25	9	4741A2751	stainless steel clamp m100
25	10	4741C2381	brass tee "Pex" m10
.20	11	4741B9061	copper swivel elbow
.50	12	4757-3671	48" pex riser
*	13	4750-3421	water heater
.15	14	4732B4561	hose adapter
.50	15	4741F5571	electric water pump
.25	16	4747A8311	water filter
.20	17	4741A9561	female adapter "copper"
.30	18	4701-0781	city fill
.20	19	4757-3631	brass adapter 3/8" barb
.30	20	4701-0771	fill spout
	21	4715-4501	adjustable hose clamp
.35	22	4731H1081	water fill hose (3' pc.)
.20	23	4060050003F	1/2" h.p. hose (sold/ft.)
	24	4765-9971	water heater bypass kit

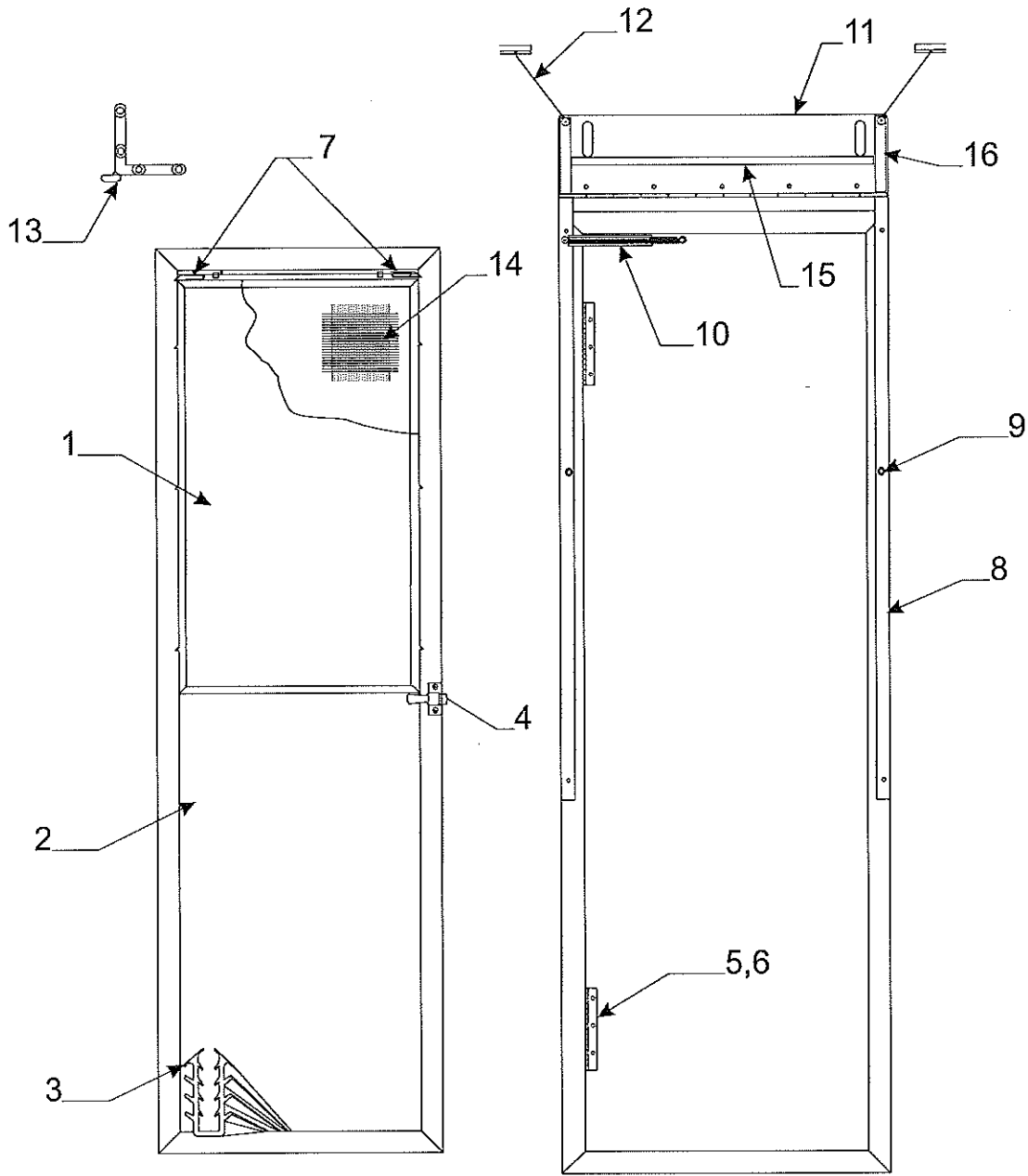
\* Warranted By Vendor



4800-6511 Roadside Bed Assy. "Complete" F.R. - .75  
 4800A5261 Curbside Bed Assy. "Complete" F.R. .75  
 4800-6501 RS Hinged Expanda Bed Assy. " Complete" F.R. .75

\*\* .50 first extension  
 \*\* .25 second extension

Bed Assy. Components			
Flat Rate	Code	Part #	Description
**	1	4716U4031	bed extension (x2 per bed)
<b>Note: must cut bed extension to size where applicable</b>			
.25	2	4772A2091	tent bow/leg package
.15	2A	4720K5631	bed bow bracket M2
.05		4757-9241	1 1/2" nylon fender washer m4
.20	3	4800-4161	bed leg assy. (x2 rs bed)
.20		4800-0441	bed leg assy. (x2 cs bed)
.15	4	4720C0771	bed leg clip m4
		1203-8831	rivet m25 (rivet clip to bed)
.20	5	4737A4178	support plate
.15	6	4720D4021	lashing hook m6
		1203-8741	rivet m25 (rivet hook to bed)
	7	4757-1601	bed shim x2
	8	4763-1181	dead bolt lock
	8A	4800-4131	bed lock bracket (loc. on body rail)
		4733-4118	tek screw
	9	4753A9381	bed strap
	10	4800-425	bed rest
	11	4753B855	velcro x3
	12	4720C3601	hinge x3
	13	4720A2361	rod & pal nut
	14	4739E2908	screw cap m10
		4739-2918	screw cap washer m10
	15	4716-074	screw
		1202B2528	washer
.20	16	4734A5141	bed leg bracket
.25	17	4060400339P	vinyl bed seal "gray" (8' pc. pkg.)
	18	4739-2298	lock nut
.50	19	4754-8101	bed roller, nut, bolt, & washer pkg.
	20	1202B2908	washer
.50	21	4758-8301	bed end retainer track & rivets
.20	22	4758-9481	pull-out handle strap & rivets
		4758-8001	rivet "black" m25
.15	23	4754-4821	bed slide wedge
.15	24	4754-8631	bed slide end cap
.20	25	1034B16128	flat head screw
		1201B6378	lock nut
.20	26	4800-0451	kill switch shutoff plate



**4772A5031 Screen Door Complete**

.30 Flat Rate Screen Door Complete

Note: parts marked w/\* asterisk are not included w/screen door

Flat Rate	Code	Part #	Description	Flat Rate	Code	Part #	Description
.10	1	4716E3401	top sliding window pane	.05	9	4730A3548	stud w/screw x2
.40	2	4772-0361	stationary window pane	.20	10	4731A8201	spring package
.15	3	4060000086F	rubber seal (sold/foot) Note: around perimeter of window pane	.30	11	4773-0611	top bracket
.15	4	*4742-9671	door latch assembly	.30		4773A063	top brkt. hinge
.15	5	4720C3601	hinge x2	.15	12	4772A5181	cable assy. m2
	6	1203-8641	rivet m25	.50	13	4710-3791	corner brace hinge m2
.50	7	4716-3811	window lock pkg. rt./lt.	.75	14	4716-1381	screened stationary pane
.20	8	4754-3811	vel-stick (pkg. of 2)	.10	15	4716-1111	screening 36" x 18 1/2"
						4060000023P	d-seal "white" (5' pkg.)
					16	4351400119F	velcro loop (sold/yd)

**Cushion/Backrest Assemblies & Covers - 2007 Scorpion Series Flat Rate .10 Assembly - .25 Cover**

<u>Cushion Assembly</u> 4701A6351	<u>Cushion Cover</u> 4713A6351	<u>Backrest Assembly</u> 4800C6361	<u>Backrest Cover</u> 4713C6361
--------------------------------------	-----------------------------------	---------------------------------------	------------------------------------

Cushion & Backrest Dimensions

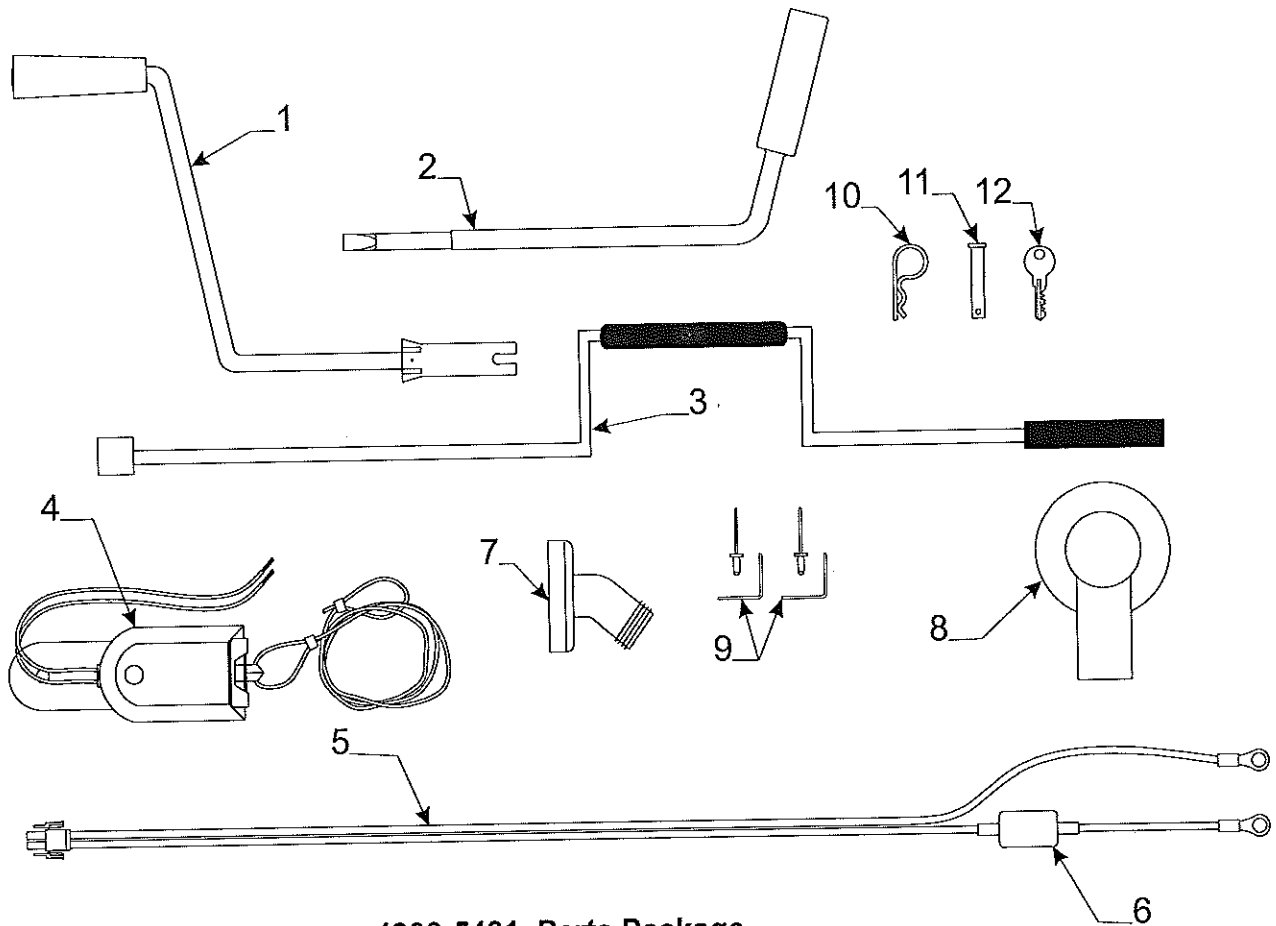
Plastic Cushion Button x2 - 4710-2681 m5

Cushion Assy.  
39 3/4" x 23" x 4"

Backrest Assy.  
38 3/4" x 17 3/8" x 3"

<u>Drape Package Flat Rate - .30</u> 4702-5921
<u>Drape Tab C-Shape m60 - 4750-2891 Flat Rate - .05</u>
<u>Privacy Curtain Pkgs. (Set of 2 Panels)</u> .15 4713B5461
<u>Single Drape Panel w/Safety Straps</u> .15 4713E1401 Single Drape Panel 40" x 45" .15 4713E1241 Single Drape Panel 24" x 45"
<u>Drape Tie Package (Qty. 1) - Flat Rate - .05</u> 4701-5471
<u>Shower Curtain</u> 4757-7301 - vinyl shower curtain pkg. - Flat Rate - .15 4748-8161 - shower curtain clip m10 - Flat Rate - .20

<u>Flat Rate .50 per cover .10 per assy.</u>	
<u>Mattress Assemblies &amp; Covers</u>	
<u>Matt. assy. rs/cs</u> 4800B2341	<u>Matt. Cover rs/cs</u> 4713B2341
<u>Expanda Bed Matt. assy.</u> 4800A6521	<u>Expanda Bed Matt. Cover</u> 4713A6521
<u>Mattress Assembly Dimensions</u>	
<u>CS/RS Matt. Assy.</u> 77" x 46" x 3 1/2"	<u>Expanda Bed Assy.</u> 77" x 12" x 3 1/2"



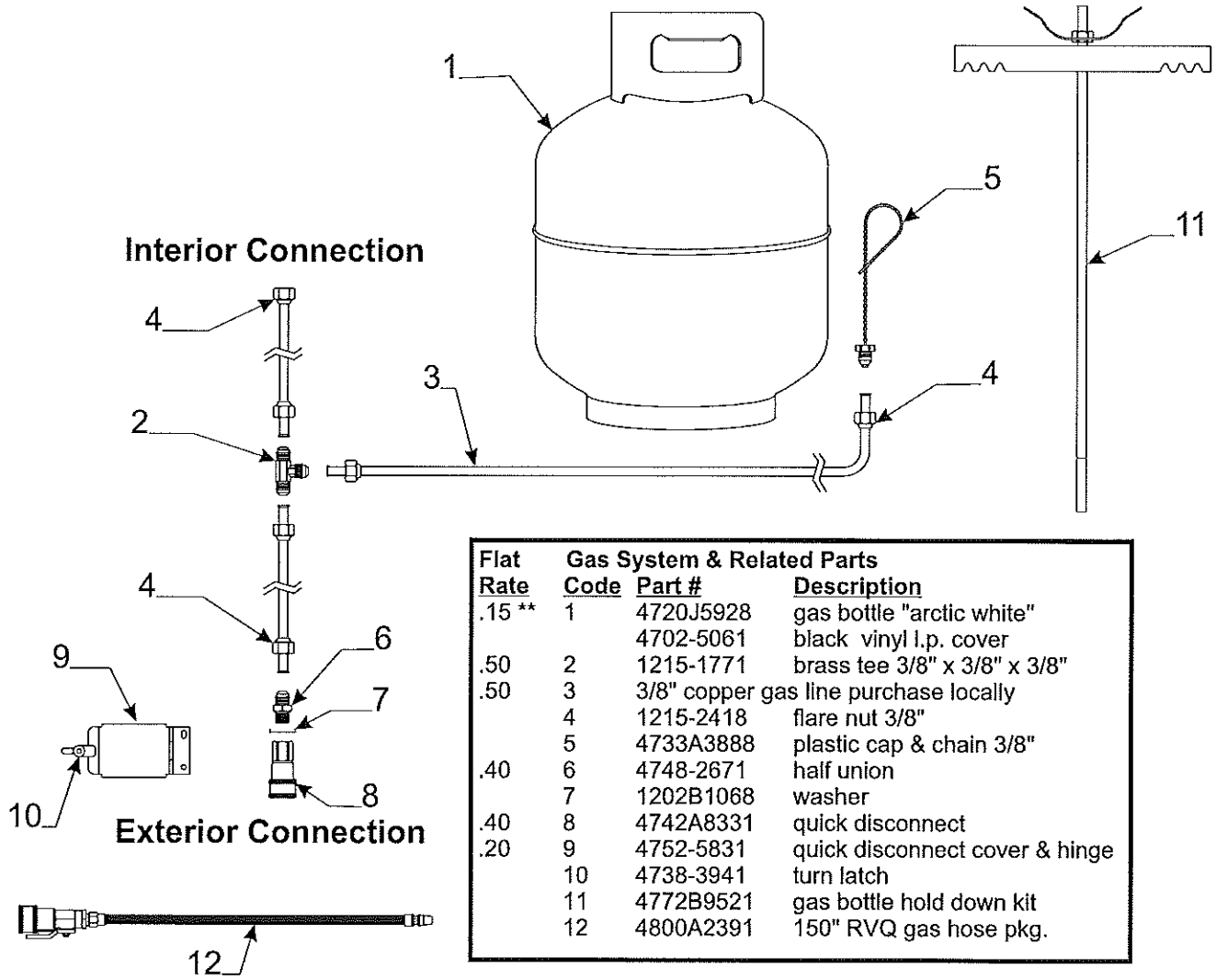
**4800-5431 Parts Package**

\* Note: Parts not included in parts pkg. box

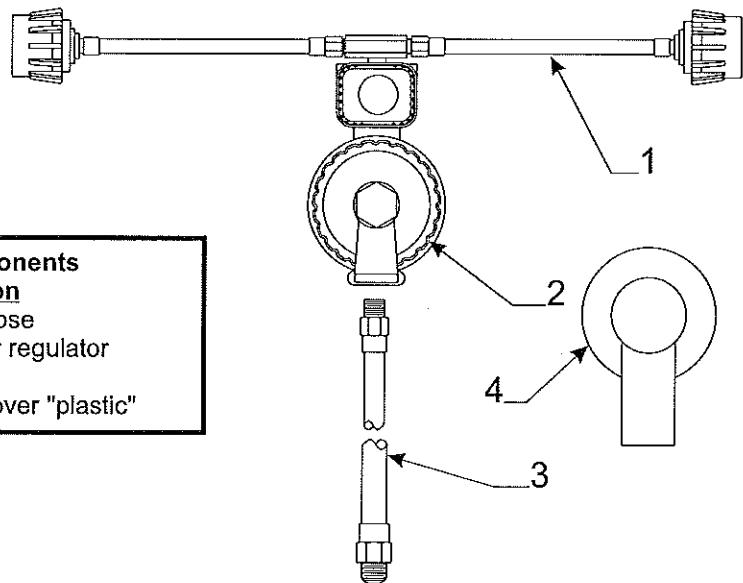
**Parts Package Component Parts**

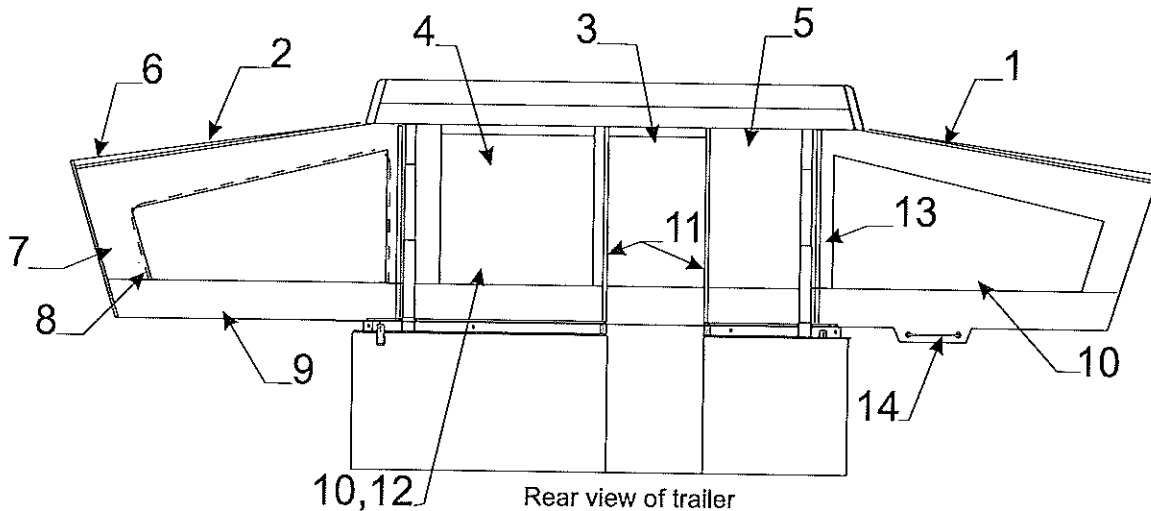
<u>Code</u>	<u>Part #</u>	<u>Description</u>
1	4747G4141	crank handle
2	4800-2681	lug nut wrench (deep well)
3	4761-2401	stabilizer crank
4	*4746-0401	breakaway switch
5	*4749B5531	battery harness w/15 amp breaker
6	*4751-4811	15 amp circuit breaker
7	*4737-9138	drain adapter
8	*4734C3781	regulator cover "plastic"
9	4753E6781	battery angle pkg.
10	4732A4791	safety pin m10
11	4757-4491	3" hitch pin m5
12	4730B3211	key m10 # 8025 (gold plated)

**\*\* Serial Number Of Gas Bottle Must Be Supplied When Submitting Warranty**



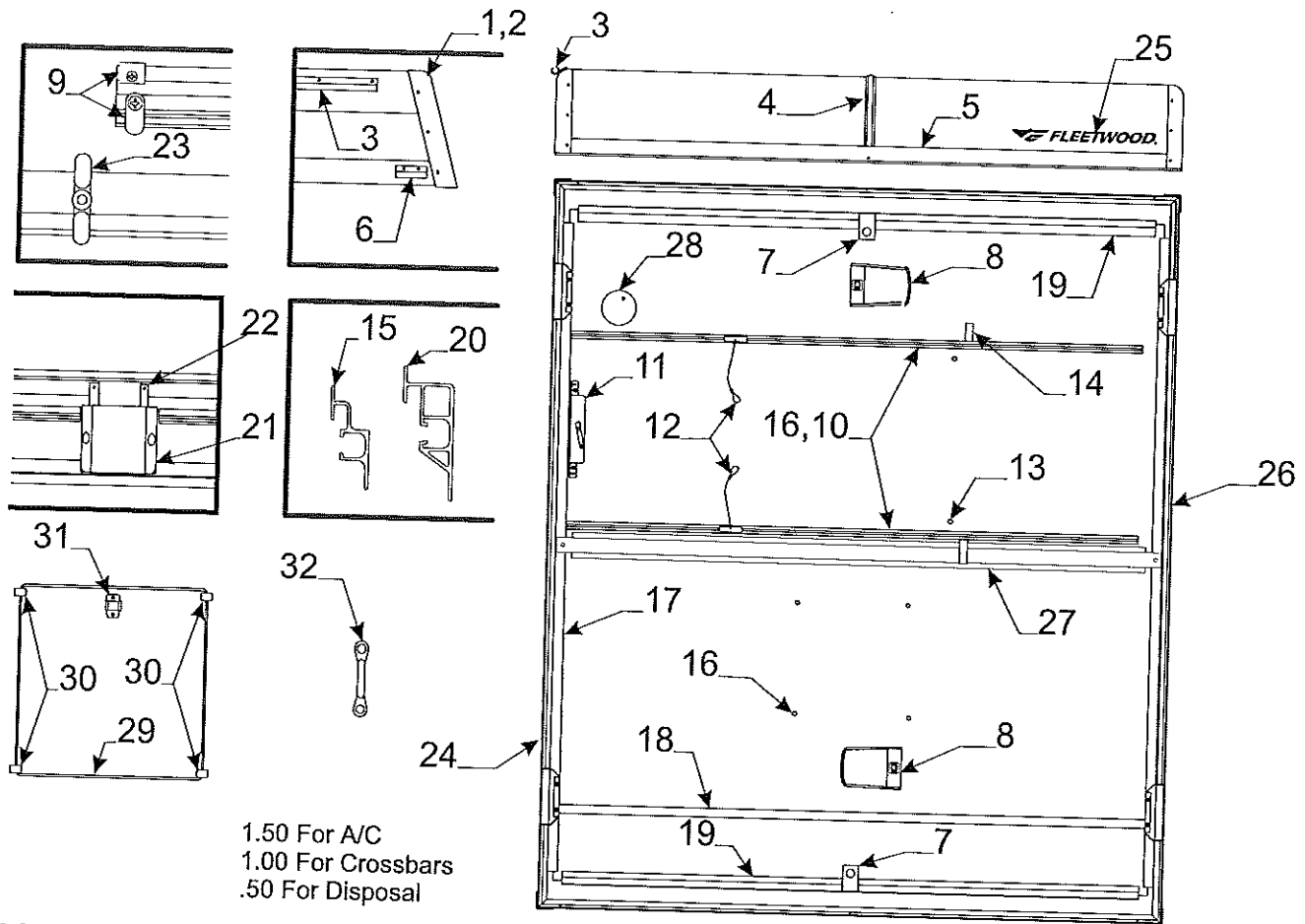
Change Over Regulator Components		
Code	Part #	Description
1	4761-1921	12" lp gas hose
2	4755A7801	changeover regulator
3	4737-8871	gas hose
4	4734C3781	regulator cover "plastic"





Flat Rate	Tent Sections & Related Parts		
	Code	Part #	Description
.50	1	4800A5491	curbside boot
.50	2	4800-6571	roadside boot
.20	3	4800-5501	large window (frt. of unit)
.20	4	4800-6401	small window (lt. of door)
.15	5	4800A5521	door seal (rt. of door)
	6	8118501430P	top vinyl pkg. (85" x 3 yards)
	7	4716C0851	sunbrella patch package (12" x 14")
	8	6650500131F	zipper (sold/yard) used around window
		1225A4461	zipper pull m5
	9	8118001440P	black bottom vinyl facing pkg. (3 yd. x 80")
	10	4714E1611	screen package (84" x 3 yards)
		4714A0361	screen package (84" x 13 yards)
	11	4350000009P	1" velcro hook (10' pc. Pkg.)
	12	4716-2401	clear window vinyl (41" x 2 yards)
	13	1225G3458	40 1/2" side zipper pin half
		1225G3448	40 1/2" side zipper slider half
.50	14	4060000245CP	shock cord (150' package)
.50		4714C6021	shock cord & hooks m2 (two 14' lengths)
.15		4724A2011	shock cord termination (plastic hook) m10
	15	4060000024F	arrowhead seal (sold/foot)
.30	16	4772-5921	wire extension harness - S1
.50	17	4743-1588	k-kote seam sealer
	18	4728-5641	tent retainer pkg.
.30	19	4710-1011	vinyl daubing "gray" m2
.30		4713-0311	vinyl daubing "black" m2





**4800C6261 Top Assembly F.R. - 3.00**

Flat Rate	Code	Part #	Description	Flat Rate	Code	Part #	Description
.50	1	4713-0031	top corner pkg. "black" (pkg. of 4)	.15	14	4723A5061	strap x2
		4356500043P	3/16" x 1" butyl tape (20' pc. pkg.)	.30	15	4060000092P	tent track (frt./rr.)
	2	4758-9921	tek screw "black" m12			1103E1018	screw stainless steel
.50	3	4757-3561	canopy track		16	1203-9258	plastic accordion rivet m25
1.00	4	4752-02791	center seam		17	4767-3861	side cove x2 (must cut to size)
		4060400096F	vinyl screw cover			4747-2558	expansion rivet m25
		1103B0808	tapping screw #8 x 1/2"	.20	18	4350400004F	vinyl seam tape (sold/foot)
.50	5	4350000028P	1/8" x 3/4" butyl tape "white" (20' pkg)		19	4756B0671	cove (front/rear)
.15	6	4759A240	frt./rr. top seal extrusion			4747-2558	expansion rivet m25
		4750A9581	top trike "white" m2	.30	20	4060000093P	tent track (must cut to size)
		4744C2461	torx head screw "white" m12			1103E1018	screw stainless steel
.15	7	1201B6958	nut (x2 per strike)	.20	21	4747D5521	lift pocket cover x4
		4741F11381	tent support brkt.			4741D3558	hole plug x2
.15	8	4741C9368	screw "painted" x2	.25	22	4351400005F	velcro loop (sold/yard)
		4737K5911	single dome light			4741B5431	lift pocket x4
		4758-1361	dome light lens			1201B6378	lock nut ( x2 per pocket)
		1103B1028	screw x4	.15	23	4743-2501	screen door latch pkg.
	9	4728A5641	tent retainer pkg.	.50	24	4060100399P	rubber top seal (40' package)
		4750-2891	drap tab m60	.25	25	4701-2628	Fleetwood decal
.30	10	4733H47181	screen door track x2	.75	26	4800-035	side seal extrusion
		4744B4611	expansion rivet m25	.15	27	4716A8991	roof brace & hardware
.20	11	4749C5571	screen door bracket	.10	28	4767A4641	carbon monoxide detector
		4747-2558	expansion rivet m25	.10	29	4755B5231	shower curtain rod
		4749-2138	snap button m2	.10		4755A5231	shower curtain rod1
		1203-8631	rivet m25	.20	30	4755-5211	shower rod strap x4
.15	12	4772A5181	screen door cable m2	.15	31	4767-0111	shower head brkt.
	13	4730A3548	stud w/screw x2		32	4733B4511	steel loop m2