



**2007**

**Highlander Series  
Repair Parts Catalog**

4135 Saratoga 12'

4132 Sequoia 14'

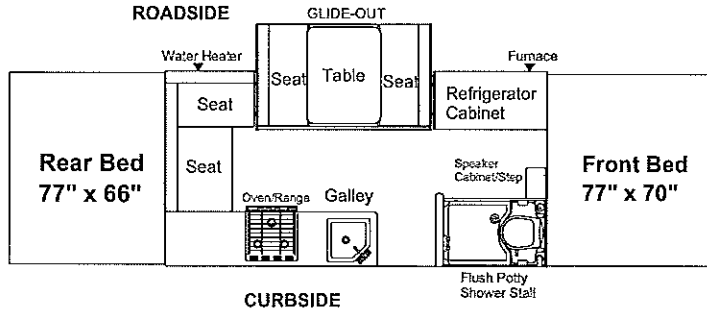
4131 Arcadia 14'

4133 Niagara 14'

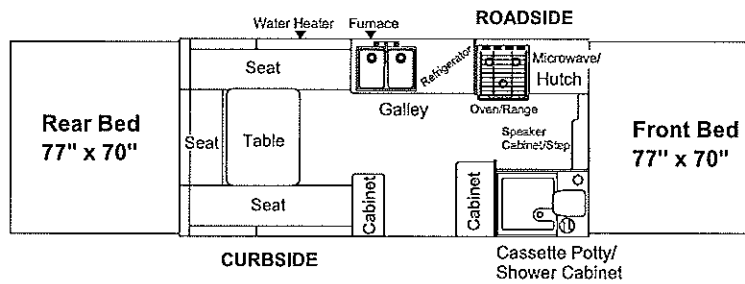
4149 Avalon 16'

# 2007 HIGHLANDER SERIES

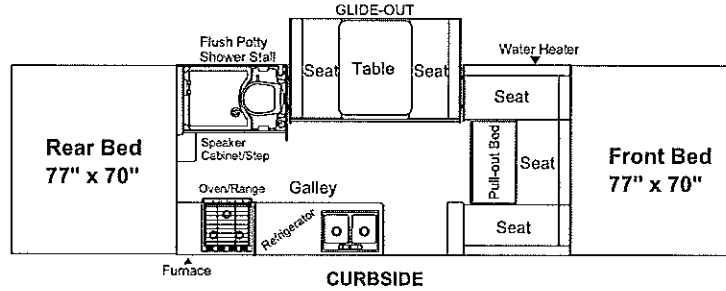
## 4135 Saratoga 12'



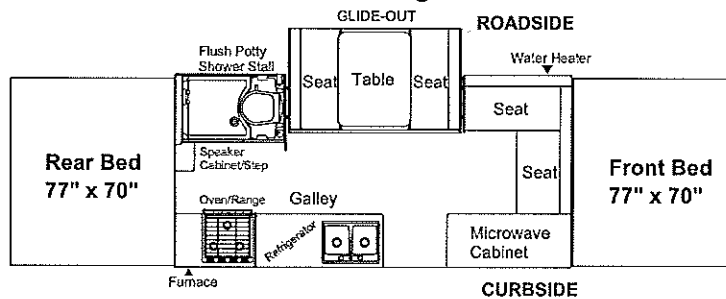
## 4132 Sequoia 14'



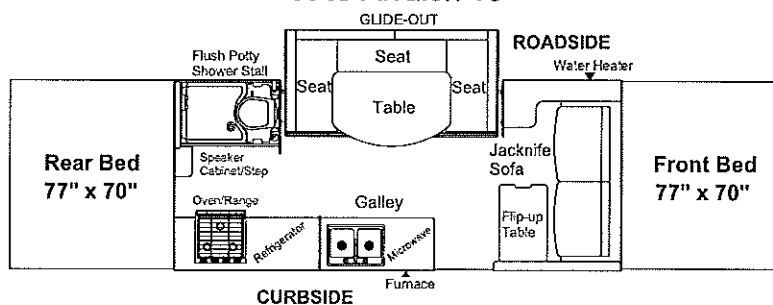
## 4131 Arcadia 14'



## 4133 Niagara 14'



## 4149 Alvalon 16'

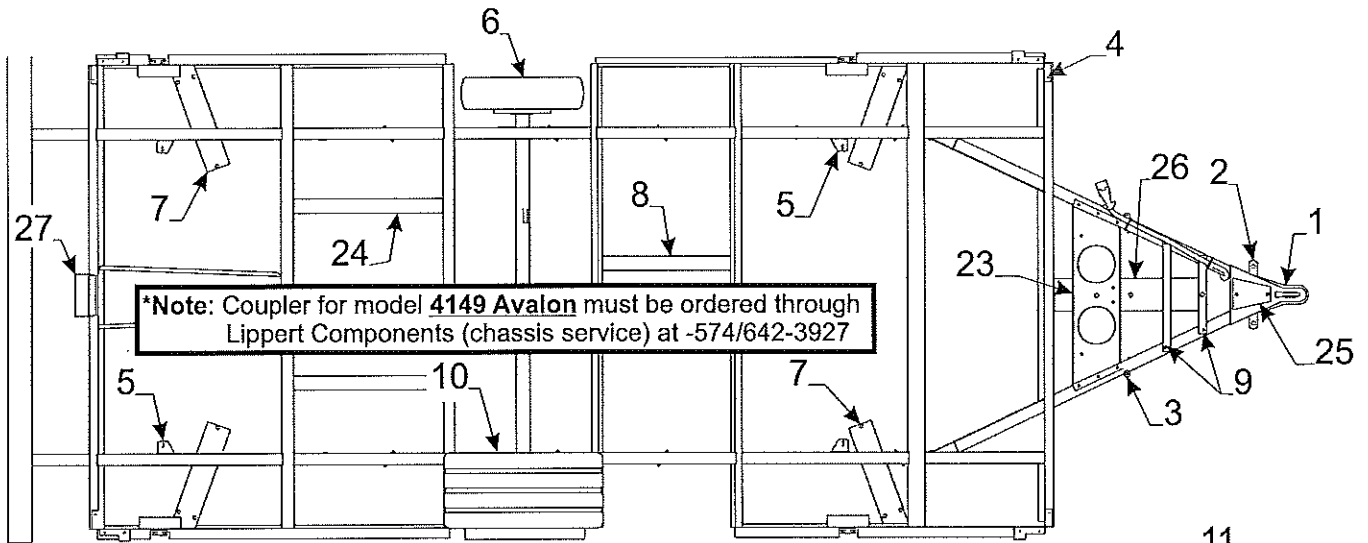


## TABLE OF CONTENTS

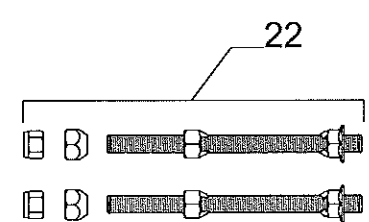
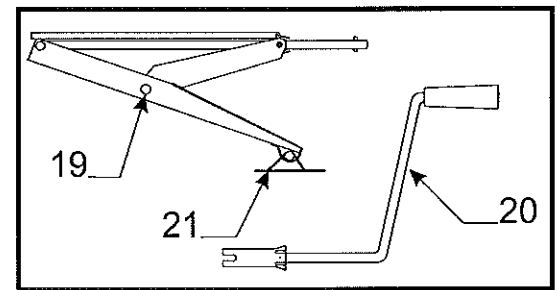
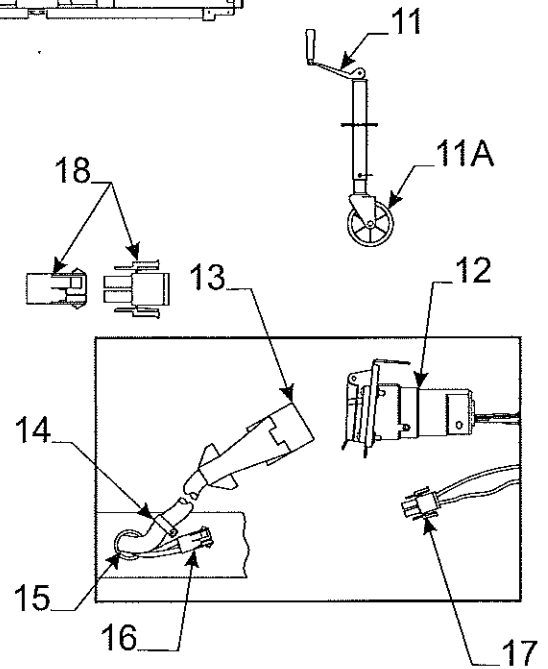
<u>DESCRIPTION</u>	<u>PAGE</u>
Access door key .....	32
Access door assembly & related parts .....	7
Antenna .....	12
Auto extension .....	27
Axle assemblies & related parts .....	3
Backrest assemblies & covers .....	34, 35
Bathroom area components .....	22, 24
Bed assemblies.....	28
Bed extensions & related parts .....	28
Body panel right rear (curbside) .....	8
Body panel roadside .....	10
Body panel roadside glide-out .....	10, 11
Body panel front & rear .....	6
Body panel right front (curbside) .....	9
Bumper & related parts .....	6
Cabinet assy. csf microwave cabinet - <b>Niagara</b> ..	19
Cabinet assy. rsf reefer cab. - <b>Saratoga</b> .....	21
Cabinet assy. rsf - <b>Avalon</b> .....	20
Caulking .....	27
Converter & related parts .....	26
Corner bulkhead assembly .....	2
Coupler assembly .....	2
Crank & sprocket assy. components .....	5
Crank handle .....	32
Cushion assemblies & covers .....	34, 35
Door bulkheads .....	7
Drain assy. (used on sinks) .....	13, 15
Drape packages & related parts .....	36
Drawer assembly components .....	26
Electric brakes & related parts .....	3
Fire extinguisher & components .....	12
Flip-up table assy. components - <b>Avalon</b> .....	21
Floor covering .....	2
Flush potty and related parts .....	15
Frame assembly & related parts .....	2
Gas detector .....	26
Gas hose (gas bottle hook-up) .....	33
Gas bottle mounting brackets .....	32
Gas quick disconnect (outside gas hookup) .....	33
Gas bottle cover (plastic/diamond plate) .....	14
Gas bottle cover (black vinyl) .....	33
Gas bottle & related parts .....	33
Glide-out curtain/valance .....	36
Glide-out tent bow/tent support .....	29
Grease cap (dust cap) .....	3
Hatch door (curbside frt. panel) .....	9
Hub assembly & related parts .....	3
Kill switch & plate .....	28
Lift assemblies & related parts .....	4
Lift trim & miter covers .....	8, 9
Galley components - (All models) .....	12
Grey water holding tank .....	15
Lug wrench .....	32
Mattress assemblies & covers .....	36
Microwave .....	19
Outside shower assy. ....	10
Oven/Range .....	12
Paint (spray & quart can) .....	27
Paneling & trim .....	27
Parts package & components .....	32
Pigtail (car end) .....	2
Plumbing and related parts .....	15
Potty (flush potty) .....	15

<u>DESCRIPTION</u>	<u>PAGE</u>
Potty/shower cabinet .....	23, 25
Potty door (exterior) .....	9
Power cord (converter) .....	26
Power Lift components .....	5
Radio/CD player .....	12, 19
Radio Antenna .....	12, 19
Receptacle (exterior) .....	8
Receptacle (interior) .....	26
Refrigerator vents .....	8
Regulator & fittings (change over regulator) .....	33
Safety chains .....	32
Screen door & related parts .....	30
Seat bench component parts .....	16, 17, 18, 19
Seat components (glide-out) .....	11
Shower curtain .....	36
Shower curtain track .....	23, 25, 38
Shower stall w/potty .....	23, 25
Shower head & hose .....	23, 25
Shower (Outside shower assy.) .....	10
Sink .....	12
Sink drain & related parts .....	13, 15
Sofa area (Jackknife sofa) - <b>Avalon</b> .....	20
Spare tire cover (black vinyl) .....	2
Spare tire mount package .....	2
Speaker .....	17, 19
Stabilizer assembly .....	2
Stabilizer handle/lug wrench combo .....	32
Step components (outside step) .....	7
Stove/Oven components .....	13
Table assemblies & related parts .....	14
Table assy. (csf flip-up Table) - <b>Avalon</b> .....	21
Taillights (rear body panel) .....	6
Tent bow (bed assy.'s) .....	28
Tent bow/support (glide-out) .....	29
Tent support assemblies & related parts .....	29
Tenting & related parts (sunbrella) .....	37
Thermostat (Hydro Flame) .....	26
Thrust nut & bearing .....	4
Tie backs (curtains) .....	36
Tire & rim .....	2
Tire cover "black vinyl" .....	2
Tongue jack & related parts .....	2
Top assemblies & related parts .....	38, 39
Trim tape kits .....	6, 7, 8, 9
Valance package .....	36
Water heater .....	31
Water faucet .....	12
Water system & related parts .....	31
Wheel well .....	2
Whiffletree & related parts .....	4
Zipper (tenting assemblies) .....	37

Axle/Brakes - Dexter .....	574/295-7800
Cassette Potty - Thetford .....	800/354-4135
Converter - World Friendship Co. ....	800/900-2468
Furnace - Hydro Flame #7916-11 .....	800/546-8759
Hand pump - Leisure Components.....	562/865-0401
Power Lift - Barker .....	888/367-6978
Refrigerator - Dometic .....	800/216-5115
Oven/Range - Atwood Greenbrier .....	800/646-8557
Stove/Grill - Vitco .....	877/825-8528
Tires - Kenda .....	800/225-4714
Water heater - Suburban #5031E .....	423/775-2131
Yakima bike rack - to obtain repair parts .	800/925-4621



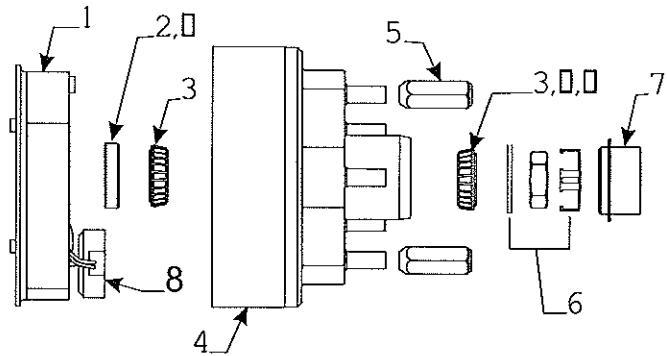
Flat Rate	Code	Part #	Description
1.50	1	4772-4231	* coupler assembly 4131, 32, 33, 35
.75	2	4720A3561	chain bar w/o pins
.50	3	4758-0381	bed leg pin & washer
2.00	4	4772B505	corner bulkhead csr/rsf
2.00		4772C504	corner bulkhead rsr/csf
		1203C8751	rivet m25 (rivet bulkhead to frame)
.75	5	4732E3671	adjustable pulley brkt. x4
.75		4773-7641	pulley brkt. plate assy. x2 - 4135
.25		4715A5371	pulley & bearing m10
		4720C1578	short pin m4
		1204B1081	cotter pin m10
.25	6	4772-8868	tire/rim mag 14" 4131, 4132, 4133
.25		4772-3598	tire/rim mag 13" 4149, 4135
.25		4766A1428	spare tire/rim 14" "white" 4131,32,33
.25		4753E8168	spare tire/rim 13" "white" 4149, 35
		4773A5221	14" vinyl tire cover "black" 4131,32,33
		4773-7721	13" vinyl tire cover "black" 4135
		4723G3161	13" vinyl tire cover "black" 4149
		4772-3601	chrome lug nuts m5
		4772-4141	star mag center cover
	7	4755B6641	stabilizer plate csf/rsr
		4755B6651	stabilizer plate rsf/csr
	8	4758-5381	water tank hanger brkt.
	9	4716A1751	battery angle pkg.
2.00	10	4759-0791	wheel well assy. - 4131, 32, 33, 35
2.00		4773-6571	wheel well x2 - 4149 Avalon
.25	11	4772B4221	tongue jack "less wheel"
	11A	4773-0421	jack caster wheel
	12	4746A5591	pigtail - "car end"
	13	4716-5871	wire harness repair kit (8' section)
	14	1201-8708	3/8" clamp
		1203C8721	steel rivet m25
	15	4742-8108	1 1/4" snap bushing
	16	4716A5001	12 volt power harness
.15	17	4749B5531	12v harness w/15 amp breaker m2
.15		4768-6291	12v harness w/40 amp breaker
.25	18	4716A4701	12 volt cap & plug m2
	19	4751B3351	stabilizer assy. (screw down)
		4751-8208	tapping screw (3 per stab.)
.10	20	4747G4141	crank handle
	21	4755A6841	sand shoe (set of 4)
.25	22	4772B4211	dual gas bottle tray
	23	4741B5791	spare tire mount. pkg.
	24	4773A6271	grey tank hanger x3 4131, 32, 33, 35
		4773-6801	grey tank hanger x3 4149
	25	4767A8731	coupler hole cover plate
	26	4773-6941	spare tire carrier - 4149 Avalon
	27	4773-7081	rear center bulkhead - 4149 Avalon



\*\* 6610007209P floor covering pkg. (8' x 14')  
 \*\* Prior Authorization Needed From Factory

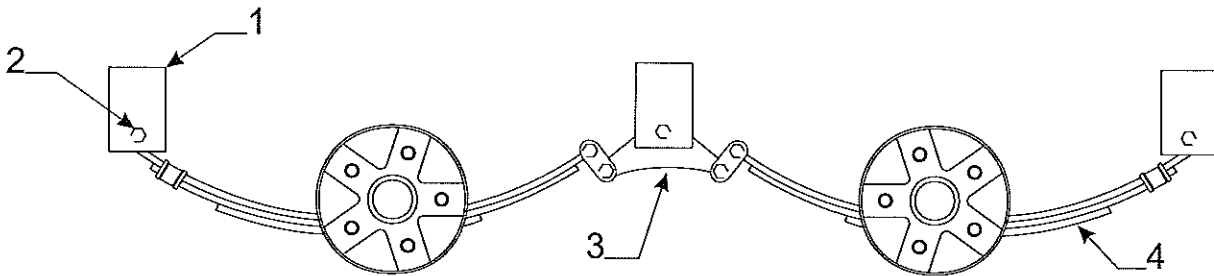
**Crossover Numbers To Purchase Locally**

- A** K71-303-00 Grease Seal
- B** L44649 Bearing "outer"  
L68149 Bearing "inner"
- C** L44610 Race "outer"  
L68111 Race "inner"



**Flat Rate .50 Per Side  
Electric Brake Pkg. 10" x 2 1/4" (4714J2011)**

Flat Rate	Code	Part #	Description
.50	1	4716-6251	10" brake assembly (right hand)
.50		4716-6261	10" brake assembly (left hand)
.50	2	4716A1441	10" grease seal (2 per pack)
.50	3	4716A1451	10" bearing, race & seal pkg.
.30	4	4716-1431	10" hub & drum x2
.05	5	4772-3601	chrome lug nuts m5
.10	6	4714A3061	retainer package
.05	7	4714C0621	EZ lube grease cap m4
	8	4716-2881	10" magnet, spring & clip pkg.



**1.25 Axle Assy. Flat Rate**

- 4702-0791 10" brake axle assy. - 4131, 4132, 4133, 4135
- 4773A6661 10" brake axle assy. x2 - 4149 Avalon

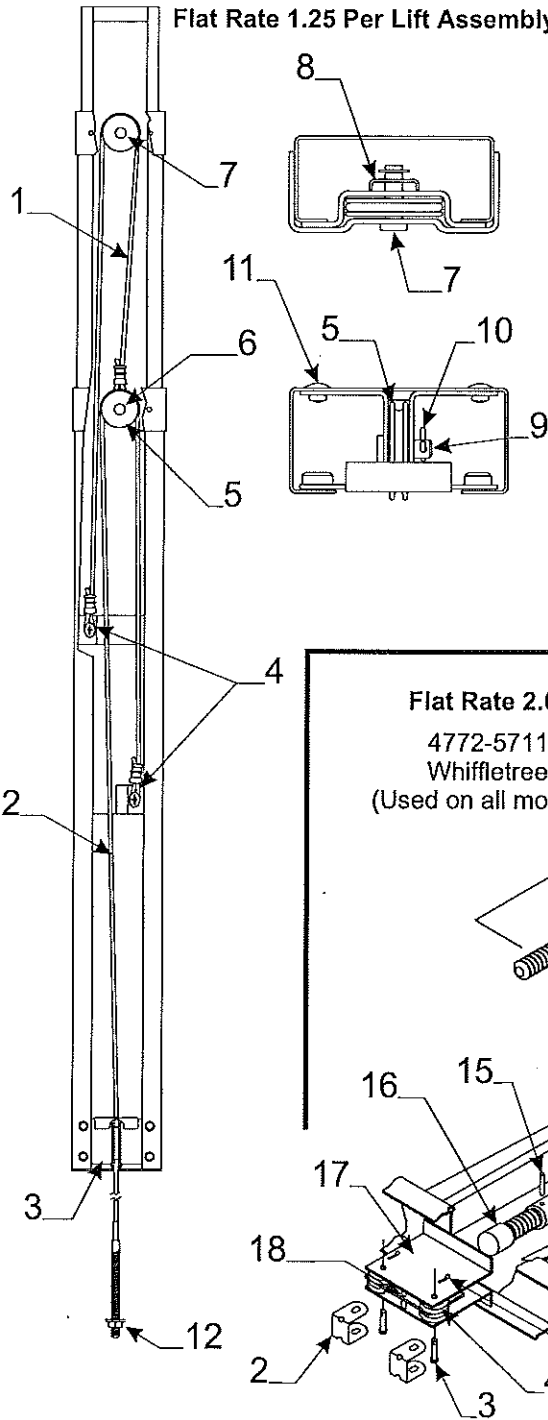
**NOTE: Refer to Dexter Axle for required part(s)/service phone - (574) 295-7888**

Flat Rate	Code	Part #	Description
*	1	4741C3398	spring shackle (front) 4131, 4132, 4133, 4135
*		4741A3398	spring shackle (rear) 4131, 4132, 4133, 4135
<b>Note: spring shackles for Avalon must be ordered through Lippert</b>			
.25	2	4737A1318	shackle bolt
		4741-9498	shackle bolt nut
	3	4773-2801	suspension kit 4149 Avalon
.75	4	4735H22081	leaf spring (4 ply) axle 4131, 4132, 4133, 4135
<b>Note: leaf springs for Avalon must be ordered through Dexter</b>			

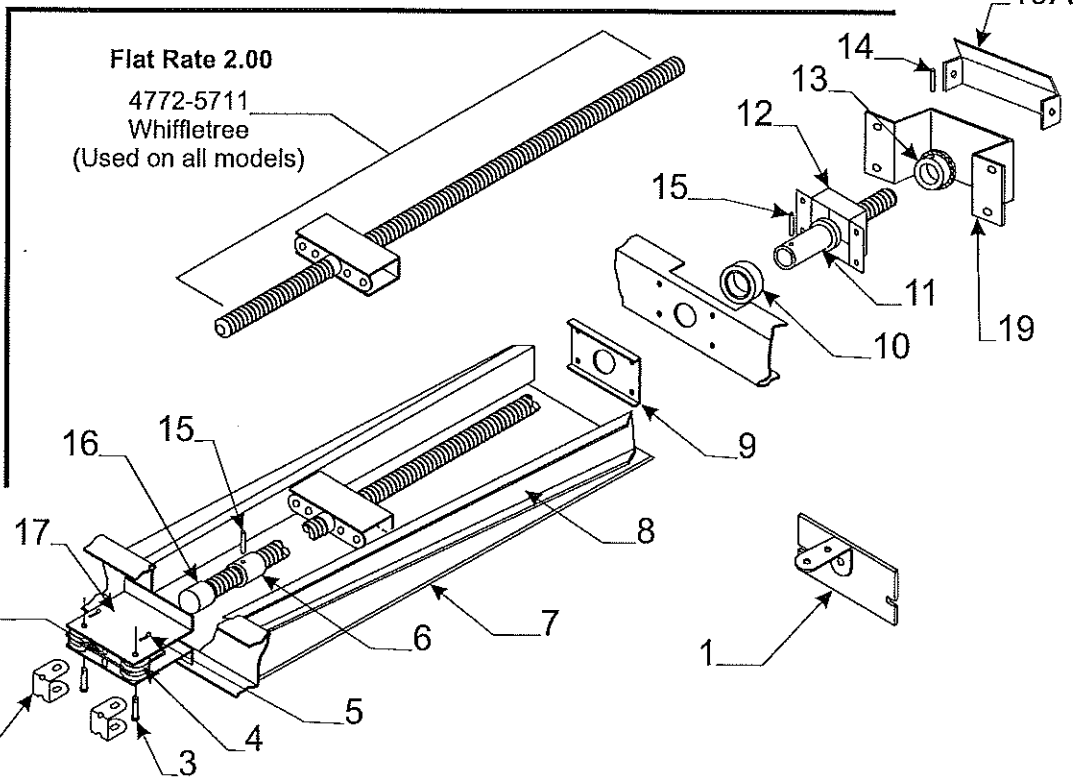
\* Prior Authorization Needed from Factory

4772A5091 lift assembly roadside rear/curbside front  
 4772A5101 lift assembly roadside front/curbside rear

Flat Rate 1.25 Per Lift Assembly



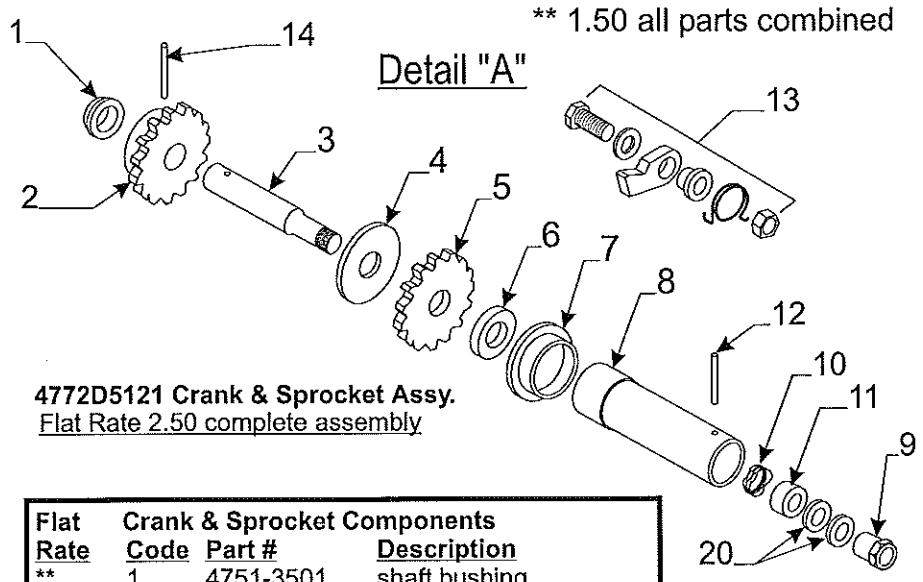
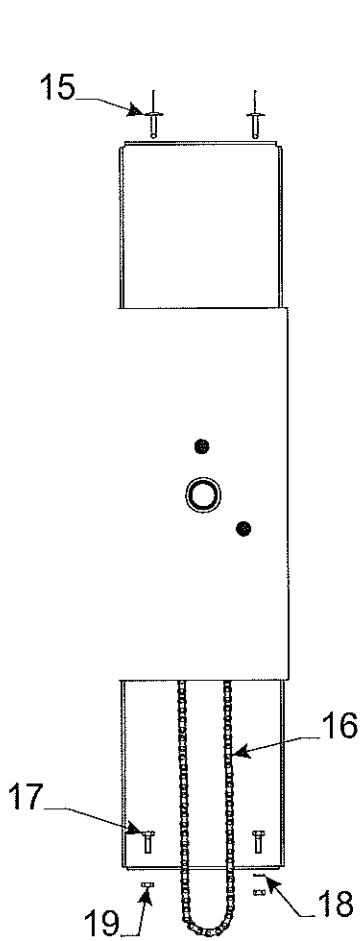
Flat Rate	Lift Assembly Code	Component Part #	Description
.75	1	4720D5271	cable assembly x1 m2
		4720C1691	cable crimp m20
1.25	2	4773-2291	225 3/4" long cable & crimp
		4744-1318	copper cable crimp m10
1.25	3	4731C5801	butterfly bracket assy.
.05	4	4749-2081	screw m6
.50	5	4715A5371	steel pulley & bearing m10
.25	6	4747-8931	long pin x2
		4730B0981	retaining ring m12
.25	7	4749-4061	short pin m4
		4730B0981	retaining ring m12
.25	8	4749A2028	retaining clip
.45	9	4720C1578	lift pin m4
		1204B1081	cotter pin m10
		1203-8641	rivet m25
		1201B6378	1/4" lock nut
		1202E0408	washer
.15	13	4747-0321	lift cover bottom



Flat Rate 2.00

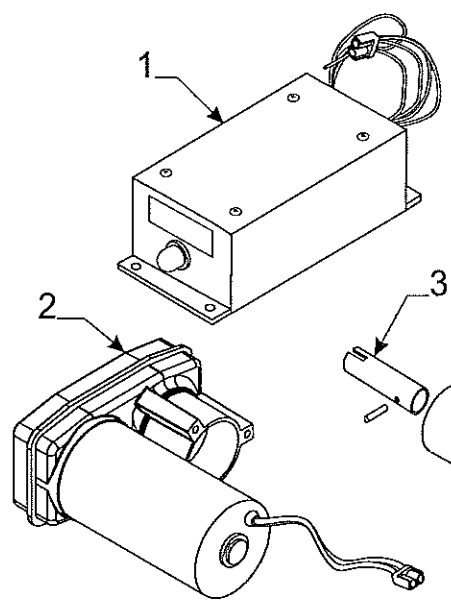
4772-5711  
Whiffletree  
(Used on all models)

Flat Rate	Whiffletree & Related Parts Code	Part #	Description	Flat Rate	Code	Part #	Description
.15	1	4749A821	mud flap & brkt.	1.50	11	4720B2388	thrust nut
.50	2	4744B1741	cable retainer x2	1.50	12	4720B2408	bearing housing
.20	3	4720J1561	long pin m4	1.00	13	4730C3848	sprocket 12 tooth
.50	4	4715A5371	pulley & bearing m10		14	4720D1481	roll pin m10
.10	5	1204B1081	cotter pin m10	1.00	15	4744A1301	shear pin m10
1.60	6	4710B4248	bushing	2.00	16	4730D1291	screw socket (welded)
.25	7	4752C4921	whiffletree pan cover	2.00	17	4720-1551	pulley plate
.25	8	4720F237	pan cover side (welded)	.50	18	4715D5661	pulley spacer
	9	4720C2418	plate		19	4772-3661	chain cover
1.50	10	4720B2421	thrust nut bearing		19A	4772B3171	chain cutout cover

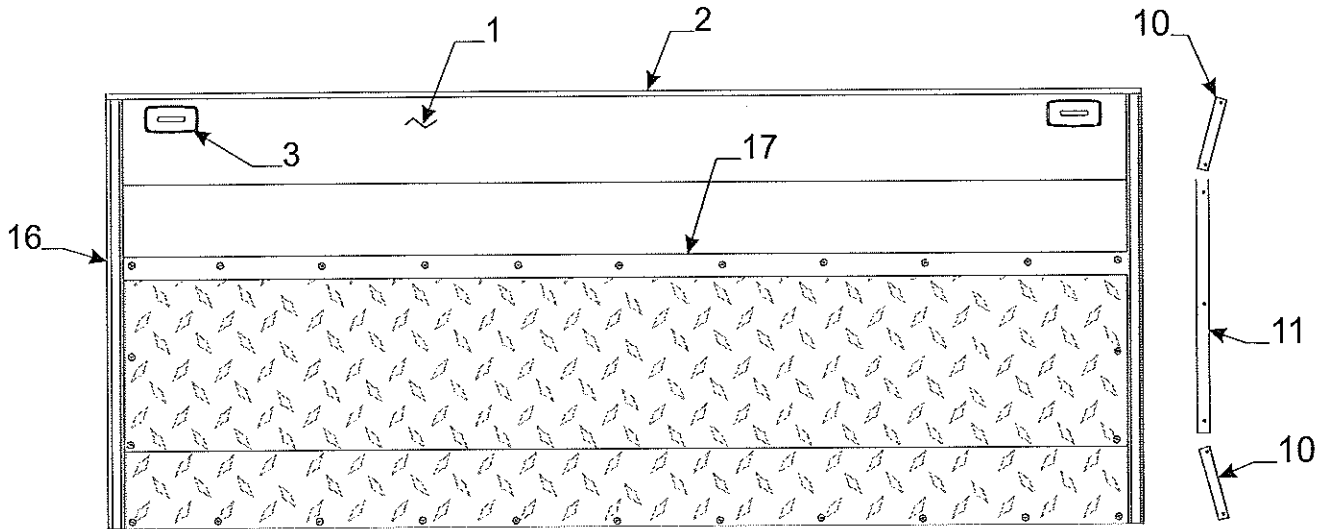


**4772D5121 Crank & Sprocket Assy.**  
Flat Rate 2.50 complete assembly

Flat Rate	Code	Part #	Description
**	1	4751-3501	shaft bushing
**	2	4730C3858	sprocket 22 tooth
**	3	4751A3521	drive shaft & nut
**	4	4751-3561	pressure plate
**	5	4751-4831	ratchet wheel
**	6	4751-3581	pressure washer
**	7	4751A3591	shaft bushing
.75	8	4716A1741	drive hub extension pkg.
<b>Note: package includes parts marked w/asterisk (*)</b>			
	9	*4751B3551	5/8" nut
	10	*4752-3921	handle spring m2
	11	*4751-4671	nylon washer
	12	*4747A9451	spiral roll pin m6
.60	13	4716-1221	ratchet pawl package
	14	4759-0621	1 1/2" shear pin m10
	15	1203C8721	rivet m25
1.50	16	4759-8031	chain (w/connecting link)
		4730A3811	connecting link
	17	4731-3878	hex head bolt x2
	18	1202B0438	washer
	19	1201B6038	hex head nut
**	20	*4757-3938	washer x2

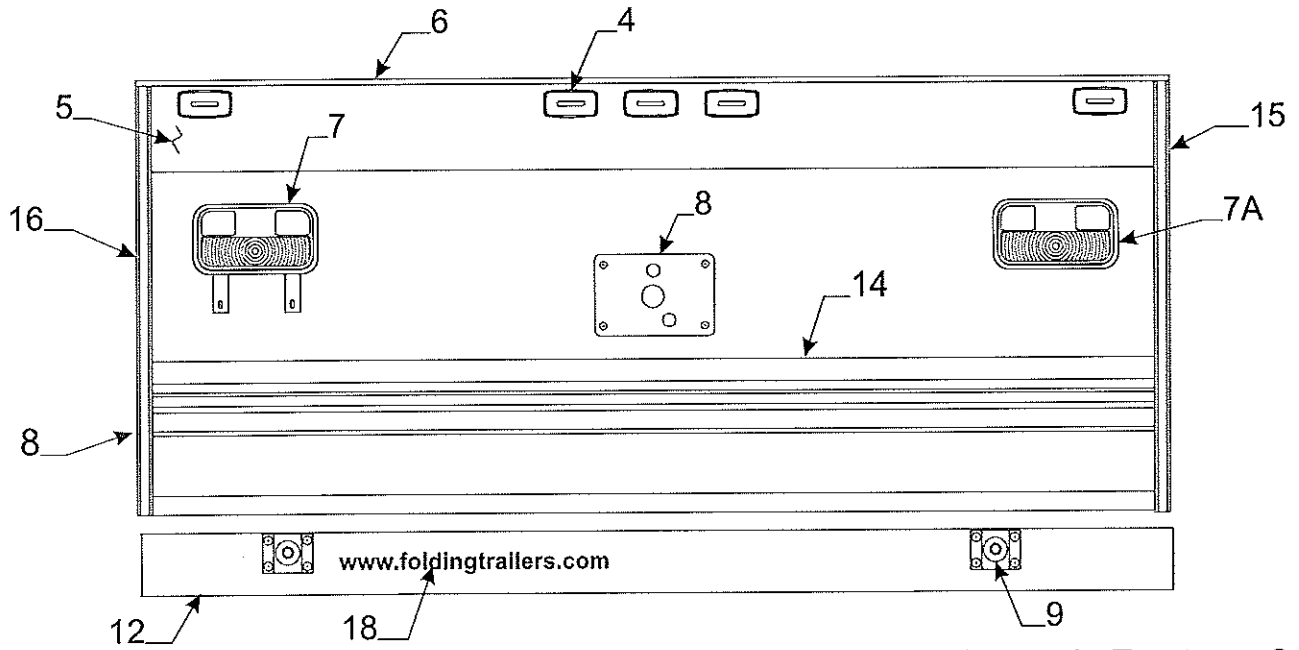


Flat Rate	Code	Part #	Description
.25	1	4768-0681	current limiter w/black twist lock jack
.25		4768A0681	current limiter w/silver push lock jack
1.50	2	4767-6461	power head motor
1.50	3	4768-0661	4" adapter and pin
1.50	4	4768-0671	mounting weldment
.05	5	4768-0691	hand controller w/black twist lock plug
.05		4768A0691	hand controller w/silver push lock plug

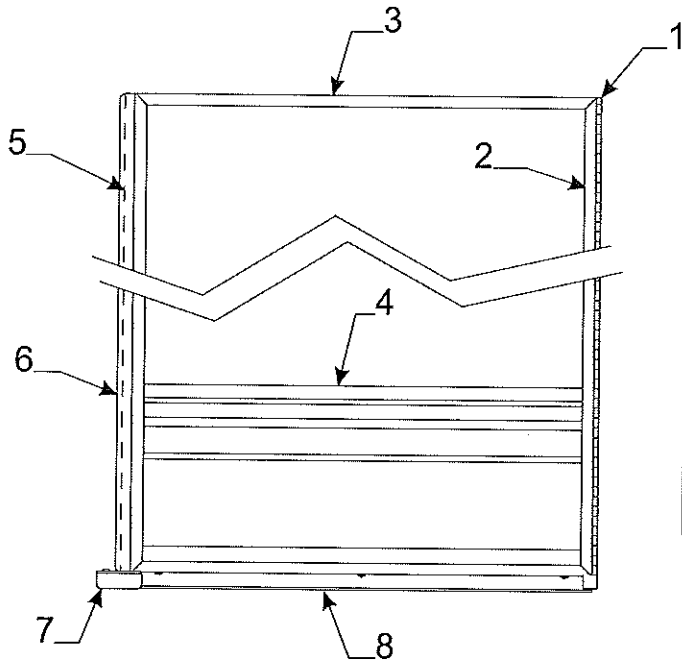


\* 1.50 Flat Rate Front Panel/2.50 Rear Panel

Flat Rate	Code	Part #	Description	Flat Rate	Code	Part #	Description
*	1	4772D1851	front body pnl. (all)	.10	8	4773-246	rear panel cover plate (all)
<b>Note:</b> Pnl. includes stucco & diamond plate sections							
.75	2	4754B8681	front end rail	.15	9	4716-0671	bed leg pin & brkt.
		1203-8651	rivet x5 m25		10	4772-2421	screw plate angle 6"
.15	3	4714J08481	amber marker light		11	4772-2431	screw plate angle 2 1/2"
.10		4716A4571	amber lens (lens only)	.30	12	4773-6491	bumper - Avalon
.25		4733H1311	socket & harness	.30		4772C3771	bumper - 4131, 32, 33, 35
		4747-2558	expansion rivet m25	.05		4766-8961	bumper end cap (cs)
.15	4	4714J08581	red marker light	.05		4766A8961	bumper end cap (rs)
.10		4716A4561	red lens (lens only)	.10		4730H3188	"open" decal
			<b>Note: refer to code # 3 for hardware</b>		13	4767-0888	www.com decal
*	5	4772F1861	rear body pnl. (all)	.10	14	4356512007P	trim tape pkg. 20' pkg.
.75	6	4772B0261	rear end rail	.30	15	4772C3391	csr/rsf corner trim
		4758-1141	rivet x5 m25			4733-4138	tek screw x10
.20	7	4765-3511	taillight w/license holder			4060400096F	vinyl screw cover (sold/ft)
.20		4716A1061	taillight lens	.30	16	4772C3631	rsr/csf corner trim
.20	7A	4749B4321	taillight x2		17	4772-4821	rock guard trim cap
.10		4716A1061	taillight lens			4734C1861	rivet m25
		4747-2558	expansion rivet m25				

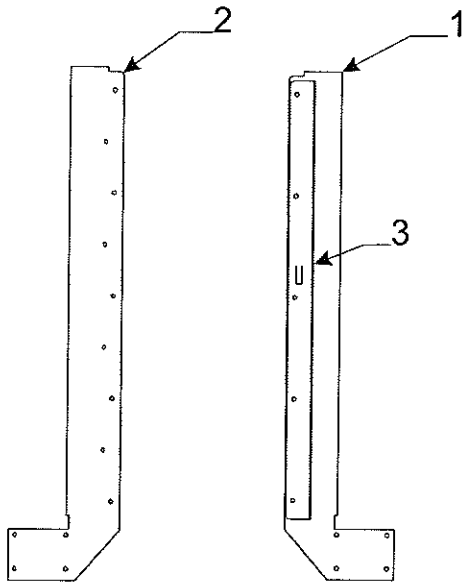






**4772E5151 Access Door Assy. F.R. .50**

Flat Rate	Access Door Assembly Components	
Code	Part #	Description
.25	1	4772A0311 door hinge
.35	2	4772A0321 door frame
.25	3	4749C9821 door cap
.25	4	4356512007P trim tape pkg. (20' pc.)
.20	5	4060000023P d-seal pkg. (5' pc.)
.25	6	4772D0331 door frame
.25	7	4750-6451 closeout brkt.
		4716-081 screw x2
.25	8	4747C3611 bottom trim
		4745-3968 screw x2

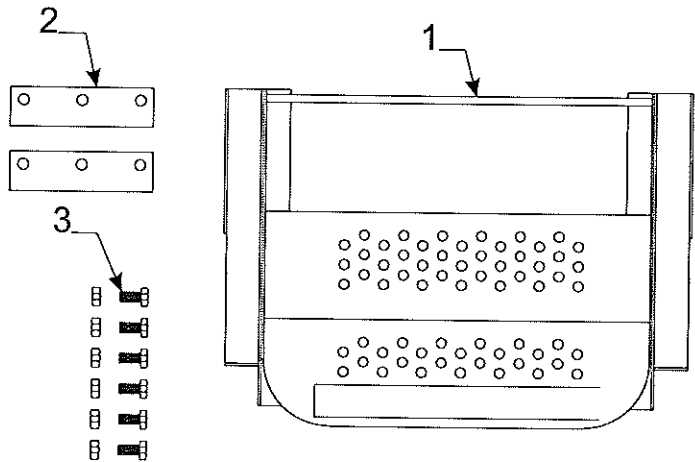


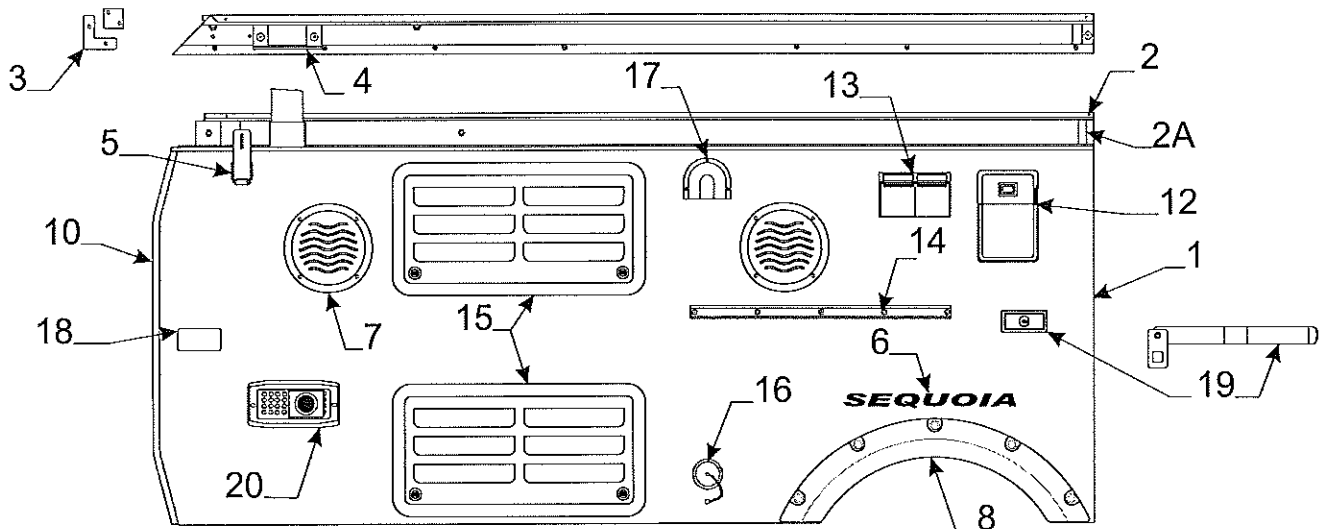
**Door Bulkheads & Components**

Flat Rate	Code	Part #	Description
1.25	1	4772A5141	csr bulkhead
1.25	2	4772A5131	csf bulkhead (all)
.35	3	4772A0301	door seal angle
		4733D0601	rivet m25 "white"

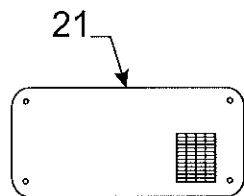
**Step Components**

Flat Rate	Code	Part #	Description
.50	1	4747B9741	step
	2	4750-3361	step shim x2
	3	1200B3048	bolt x6
		1201B6068	nut x6

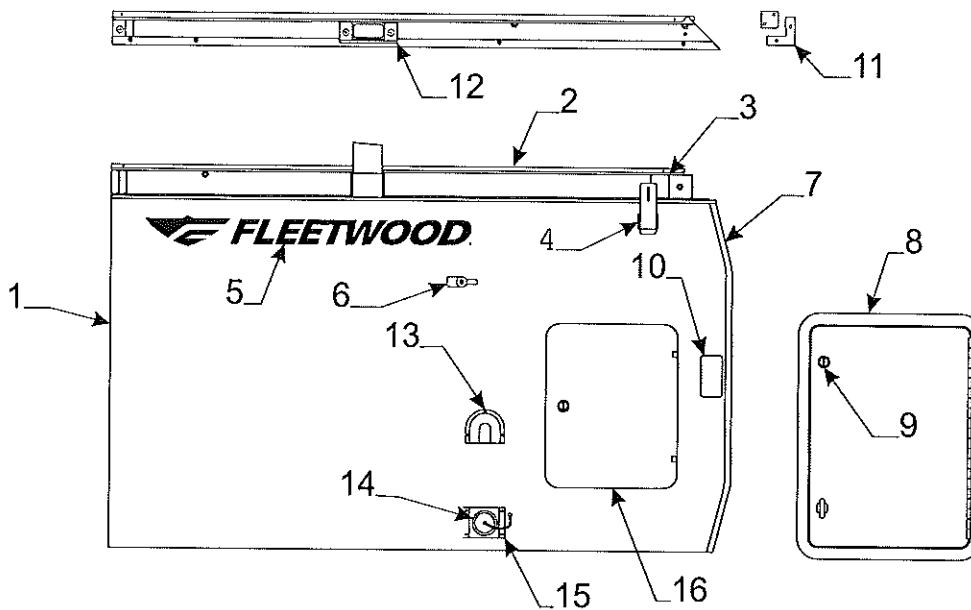




4716C0721 Curbside Trim Tape/Hardware Kit

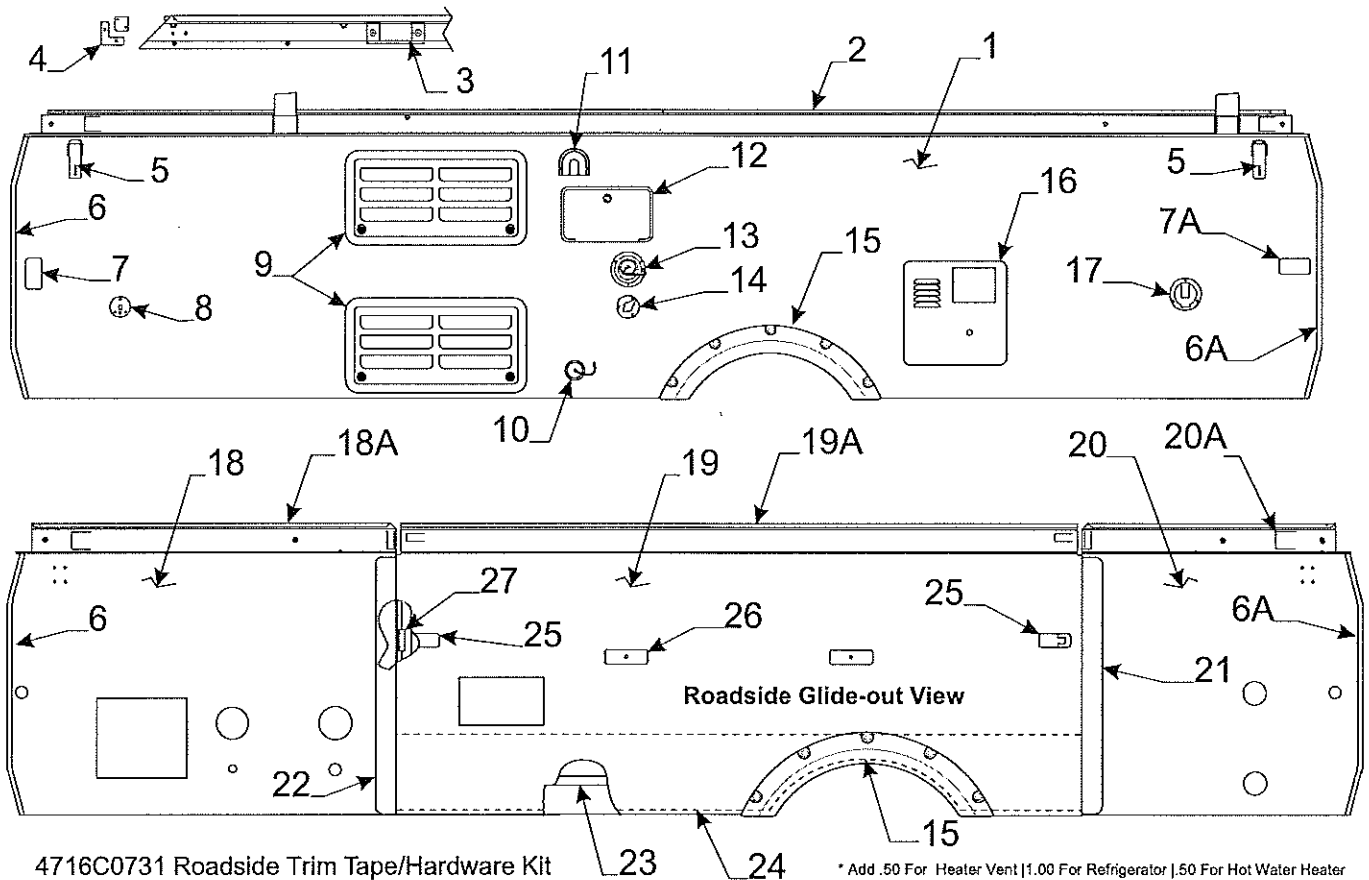


Flat Rate	Code	Part #	Description	Flat Rate	Code	Part #	Description
1.00	1	4773C1741	csr body panel 4132 Sequoia	.10	9	4714A2861	drain cap & strap
1.00		4772C4981	csr body panel 4133, 4131	.15		4772A4161	hat section brkt.
1.00		4773-4101	csr body panel 4135 Saratoga	.30	10	4772C3391	csr/rsf corner trim
1.00		4773B2601	csr body panel 4149 Avalon			4733-4138	tek screw x10
1.00	2	4772-0251	csr body rail 4132 Sequoia			4060400096F	vinyl screw cover (sold/ft)
1.00		4772-8031	csr body rail 4133, 4131	1.00	11	4730C3111	lock handle (with key)
1.00		4773-4111	csr body rail 4135 Saratoga	.25	12	4757A1881	porch light
1.00		4773-2621	csr body rail 4149 Avalon	.10		4716A1881	porch light lens "amber"
.10	2A	4716-2771	vel-stick body rail pkg.	.25	13	4746A3861	duplex cover & outlet
.15	3	4716-7061	inner/outer miter cover pkg.m4	.35		4746-3871	duplex box
.25	4	4734C4121	lift trim, rivets & gasket pkg. m4	.25	14	4767-3921	stove support brkt.
		4733-3398	nylon flange bushing x2 per trim	.50	15	4747D8341	reefer vent & trim x2
.15	5	4741C6041	top latch w/out lock tab	.10		4716-4441	reefer vent clasp m4
		4767-1701	1 1/2" tek screw m12		16	4714A2861	drain cap & strap
		4749-4848	foam pad	.15	17	4757-9261	vent cover "plastic"
.25	6	4772C1878	Arcadia name decal 4131	.15	18	4714J08581	red marker light x4
.25		4773-1758	Sequoia name decal 4132	.10		4716A4561	red lens (lens only)
.25		4772C8048	Niagara name decal 4133	1.00	19	4730C3111	lock handle w/key
.25		4773-4428	Saratoga name logo 4135	1.00		4772-6411	latch & lever
.25		4773-2658	Avalon name decal 4149	.10	20	4741C9471	furnace vent 8"
	7	4702-2061	outside speaker "white"	.30	21	4765-1201	furnace cover - Avalon
.25	8	4772-9401	wheel well trim				
.25		4773-1931	wheel well trim - Avalon				
		4739F2901	chrome snap cap m12				



### 4716C0721 Curbside Trim Tape/Hardware Kit

Flat Rate	Code	Part #	Description
		<b>Curbside Right Front Body Pnl. &amp; Components</b>	
.85	1	4772L1741	csf body panel 4131 Arcadia
.85		4773C1771	csf body panel 4132 Sequoia
.85		4772J8141	csf body panel 4133 Niagara
.85		4773-4121	csf body panel 4135 Saratoga
.85		4773B2661	csf body panel 4149 Avalon
1.00	2	4772-8151	csf body rail Niagara, Sequoia, Arcadia
1.00		4773-4131	csf body rail 4135 Saratoga
1.00		4773-2671	csf body rail 4149 Avalon
.10	3	4716-2771	vel-stick body rail pkg.
.15	4	4741C6041	top latch w/out lock tab
		4767-1701	1 1/2" tek screw m12
		4749-4848	foam pad
.25	5	4761-1958	Fleetwood decal
.15	6	4738-3941	turn button & rivet
		1203-8831	rivet m25
.30	7	4772C3631	csf corner trim
		4733-4138	tek screw x10
		4060400096F	vinyl screw cover (sold/ft)
.50	8	4772A8161	hatch door 24" x 16" - 4133 Niagara
.50		4767-8171	hatch door 25" x 12" - 4131 Arcadia
.15	9	4772-9201	hatch door cam lock
		4716-7511	hatch door key m2 (#Ch751)
.15	10	4714J08481	amber marker light
.10		4716A4571	amber lens (lens only)
.25		4733H1311	socket & harness
		4747-2558	expansion rivet m25
.15	11	4716-7061	inner/outer miter cover pkg.m4
			<b>Note: pkg. Includes rivets</b>
.25	12	4734C4121	lift trim, rivets & gasket pkg. m4
		4733-3398	nylon flange bushing x2 per trim
.15	13	4757-9261	vent cover "plastic"
.10	14	4714A2861	drain cap & strap
.15	15	4772A4161	hat section brkt.
.50	16	4759-6341	potty hatch door - 4132 Sequoia
.15		4751D8301	lock & o-ring
		4350000028P	3/4" butyl tape pkg. (6' pc.)
		4060000402P	black d-seal pkg. (6' pc.)

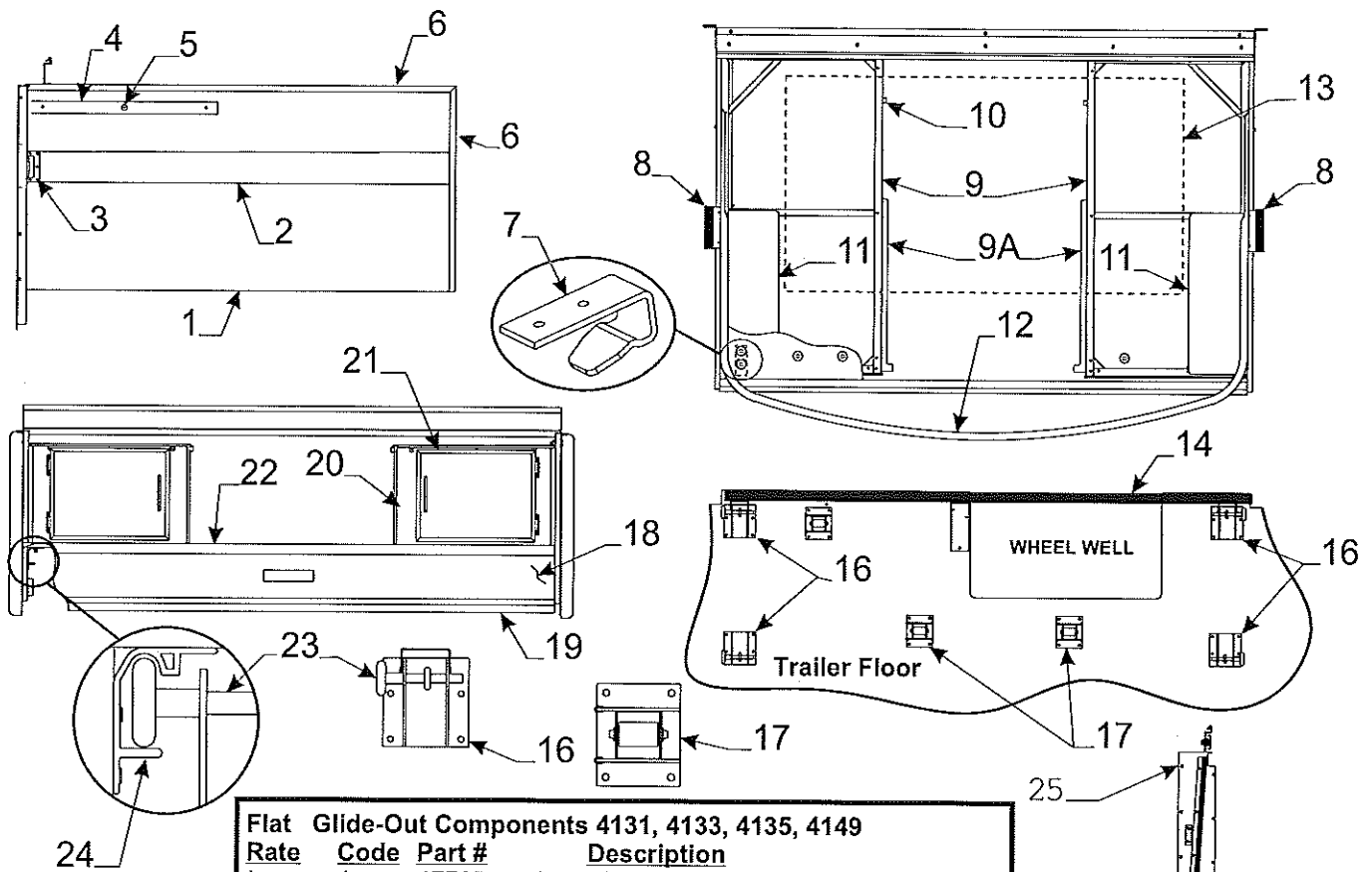


4716C0731 Roadside Trim Tape/Hardware Kit

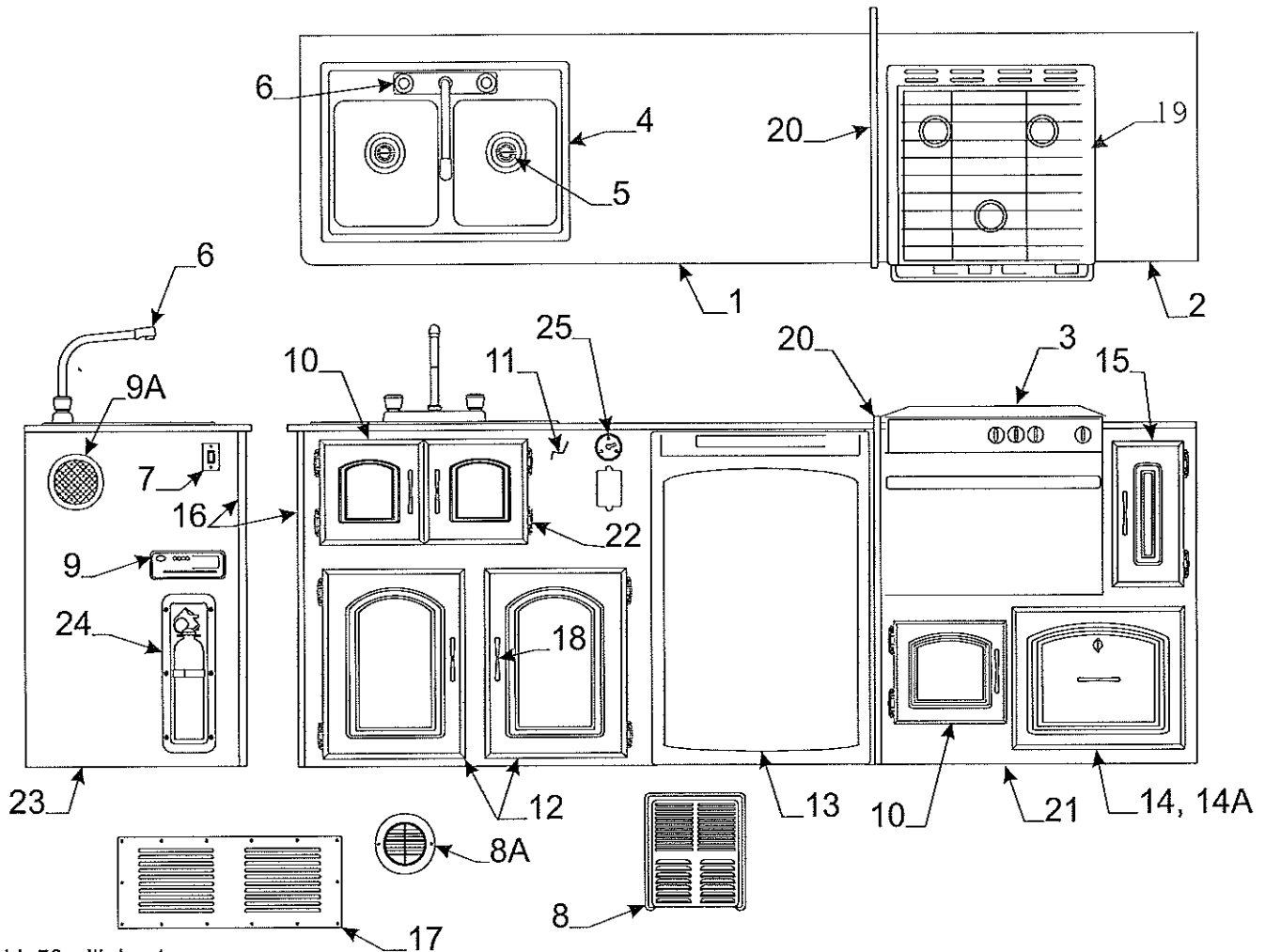
\* Add .50 For Heater Vent | 1.00 For Refrigerator | .50 For Hot Water Heater

**Roadside Left Body Panel & Components**

FR	Code	Part #	Description	Rate	Code	Part #	Description
*2.00	1	4773F1761	rs body pnl. - 4132 Sequoia	.25	16	4716-1331	water heater door
3.00	2	4772-0231	body rail 4132 Sequoia	.15	17	4733B23361	cable hatch
.10		4716-2771	vel-stick body rail pkg.	1.50	18	4772K8101	rsf body pnl. 4131, 4133
		4757-0731	wire grommet & nut	1.50		4773A4141	rsf body pnl. 4135 Saratoga
.25	3	4734C4121	lift trim/gasket pkg. m4	1.50		4773C2691	rsf body pnl. 4149 Avalon
.15	4	4716-7061	miter cover pkg. m4	1.00	18A	4772-8091	rsf body rail 4131, 4133
.15	5	4741C6041	top latch w/lock tab	1.00		4773-4151	rsf body rail 4135 Saratoga
		4767-1701	1 1/2" tek screw	1.00		4773-2701	rsf body rail 4149 Avalon
		4749-4848	top latch foam gasket	1.00	19	4772C6981	g/o body pnl. 4131, 4133
.30	6	4772C3391	rsf corner trim	1.00		4773-4281	g/o body pnl. 4135 Saratoga
.30	6A	4772C3631	rsr corner trim	1.00		4773-6301	g/o body pnl. 4149 Avalon
		4733-4138	tek screw x10	.75	19A	4756A9951	g/o body rail 4131, 4133
		4060400096F	vinyl screw cover (sold/ft)	.75		4773-1961	g/o body rail 4149 Avalon
.15	7	4714J08481	amber marker light	1.50	20	4772J8061	rsr body pnl. 4131, 33, 35
.10		4716A4571	amber lens (lens only)	1.50		4773-4161	rsr body pnl. 4135 Saratoga
.15	7A	4714J08581	red marker light	1.50		4773B2631	rsr body pnl. 4149 Avalon
.10		4716A4561	red lens (lens only)	1.00	20A	4772B8051	rsr body rail 4131, 33, 35
.25	8	4757A4871	coax outlet	1.00		4773-4171	rsr body rail 4135 Saratoga
.50	9	4747D8341	reefer vent & trim x2	1.00		4773-2641	rsr body rail 4149 Avalon
.10		4716-4441	reefer vent clasp m4	.25	21	4772A8741	angle seal "rear"
	10	4714A2861	drain cap & strap	.25	22	4772A8731	angle seal "front"
.15	11	4757-9261	vent cover "plastic"			4060000023P	d-seal pkg. "white" (5' pc.)
.25	12	4750C5861	o/s shower complete	.20	23	4756-2651	L- channel 48" pc
		4716-7511	key Ch751 m2	1.25	24	4773A503	cover plate 4131, 32, 33
.15		4750A2961	lock assy. w/key	1.25		4773-753	cover plate 4135 Saratoga
.30	13	4731D1711	water tank spout	1.25		4773-639	cover plate 4149 Avalon
		4741-3508	hex head tek screw x3	.75	25	4755-4091	latch & gasket
.30	14	4732F1521	city fill	.75	26	4756-1181	pull handle
.25	15	4772-9401	wheel well trim			4738-2608	tek screw "black"
.25		4773-1931	wheel well trim - Avalon	.75	27	4756A4171	strike w/screws
		4739F2901	chrome snap cap m12			4756-3251	shim

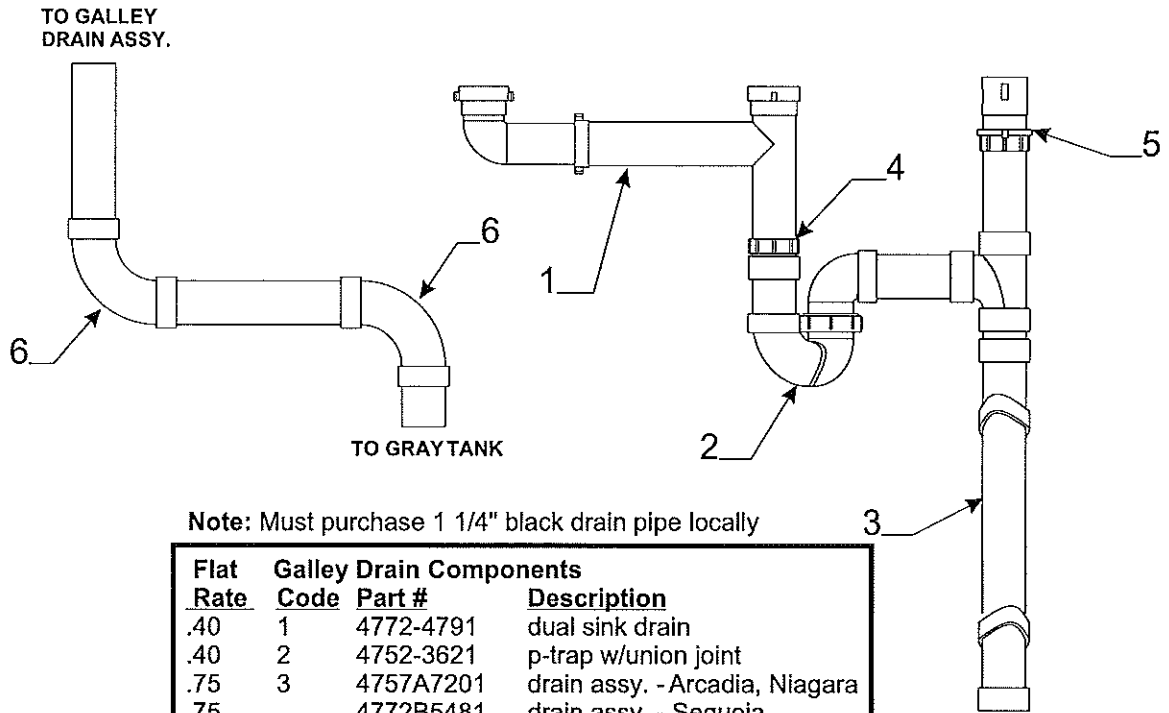


Flat Glide-Out Components 4131, 4133, 4135, 4149			
Rate	Code	Part #	Description
*	1	4773B5021	g/o side panel "rear" (all)
*		4773B5011	g/o side panel "front" (all)
.50	2	4756-8471	ABS ware strip x2
.15	3	4756-2171	lock boot w/cover plate x2
.25	4	4754-3811	vel-stick (must cut to size)
	5	4730A3548	stud w/screw x2
.20	6	4060015603P	3/8" U-channel 48" pc.
	7	4756-1201	glide-out catch x2
.10	8	4756A1151	5 1/2" brush seal x2
	9	4759B6021	side glide-out bench frames x2
	9A	4773-634	g/o center bench frame 4149 Avalon
		4773-3001	cushion slide stop x2 4149 Avalon
	10	4724-2608	stop button "plastic"
.40	11	4756C6131	metal flip-up backrest x2
.10	12	4756C2071	glide-out tent bow 4131, 4133, 4135
.10		4773-2041	glide-out tent bow 4149 Avalon
1.25	13	3568803202P	ware plate "galvanized" 30x55
1.25	14	4773A503	cover plate 4131, 4133, 4135
1.25		4773-639	cover plate 4149 Avalon
.35	15	4772-8211	seal track (frt. & rear)
		4064700589P	sweep seal "black" (8' pc. pkg.)
	16	4756B6591	adjustable tower "front"
		4757-7321	adjustable tower "rear"
	17	4756-6651	short tower roller assy. x3
.25	18	4756E6041	wood kick plate assy. 4131, 33, 35
.25		4773-6381	wood kick plate assy. 4149 Avalon
.50	19	4773-2081	floor sweep
	20	6010415696P	wood paneling 48" x 48"
	21	4756C8921	door panel 12 1/4" x 16"
.50	22	4772-209	edge cap 90" "brown"
	23	4756-1161	glide-out roller x4
	24	4756A1251	glide-out roller track x2
1.65	25	4772B6801	g/o bulkhead left front (all)
1.65		4772C6811	g/o bulkhead left rear (all)



\* Add .50 with heater

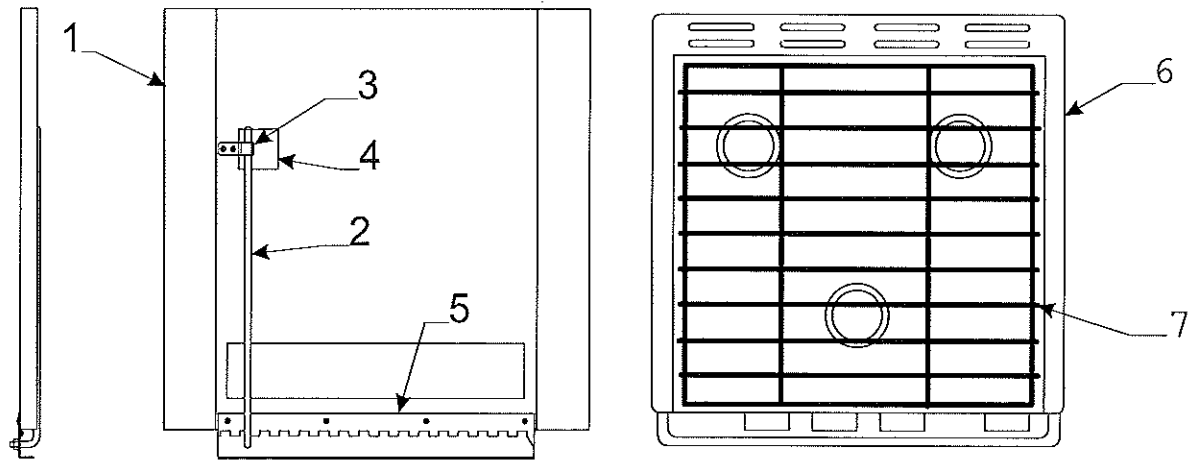
FR	Code	Part #	Description	FR	Code	Part #	Description
1.00	1	4772E8291	galley top (sink) 4131, 4133		13	4773-139	refrigerator 4.2 cu. ft.
1.00		4772F0641	galley top (sink) 4132		14	4772C19961	drw. frnt. pnl. 14 3/4" x 18
1.00		4773-3881	galley top (sink/oven) 4135	.10		4772D5811	drawer assy.
1.00		4773-2951	galley top (sink) 4149	.15	14A	4756C8921	door panel 12 1/4" x 16"
1.00	2	4772E8241	galley top (oven) 4131, 4133	.15	15	4767A8221	door panel 14 1/4" x 7"
1.00		4772C0531	galley top (oven) 4132	.65	16	4060137505P	3/8" f-channel 48" pc.
1.00		4773-2821	galley top (oven) 4149	.20	17	4773-3041	return air vent - 4149
.30	3	4772A5701	oven/range cover assy.	.10	18	4755B2681	door pull
.80	4	4767A0921	dual sink (all except 4135)	.05	19	4716-2901	3 br. range/oven grate
.80		4745E2801	single bowl sink - 4135 only	.10	20	4716A2911	3 br. range/oven cook top
.25	5	4730E3151	crumb cup & basket	.50	20	4772D0561	galley gazoodi 4131, 32, 33
.05		4714C0661	crumb cup	.50	20	4773A2831	galley gazoodi 4149
1.00	6	4765B1941	faucet (all except 4135)	.20	21	4772D8231	galley front rt. 4131, 4133
1.00		4745E2741	faucet - 4135 only	.20		4772H0521	galley front rt. 4132
	7	4733C4981	rocker switch	.20		4773-3741	galley front rt. 4135
.10	8	4743-3551	furnace grill 4131, 32, 33	.20		4773-2851	galley front rt. 4149
.10	8A	4765-1361	round heater vent 4149	.10	22	4762-4878	hinge
.50	9	4765C1121	cd radio		23	4773-1481	galley side 4131 Arcadia
		4765A1141	wire antenna w/plug			4772B0601	galley side 4132 Sequoia
.15	9A	4765-1131	speaker			4772C8281	galley side 4133 Niagara
.15		4733-6391	latch & strike pkg.			4773-3781	galley side 4135 Saratoga
.15	10	4772B1161	door panel 10 1/4" x 10 1/4"	.15	24	4773-2941	galley side 4149 Avalon
*1.00	11	4773-1491	galley front lt. 4131			4737B4198	recessed mount
*1.00		4773-1891	galley front lt. 4132	.10		4738-3088	screw x6
*1.00		4772D8271	galley front lt. 4133	.10		4737A5558	fire extinguisher
1.00		4773-3731	galley front lt. 4135	.05		4716-1191	fire extinguisher strap m2
*1.00		4773A2931	galley front lt. 4149		25	4757A4871	coax out-let
.15	12	4772B1181	door panel 14" x 18 1/2"				
.15		4756C8921	dr panel 12 1/4" x 16" - 4149				
		4755-4471	spice rack				



Note: Must purchase 1 1/4" black drain pipe locally

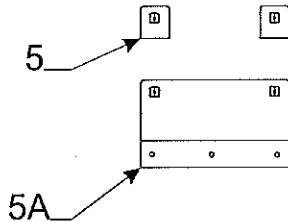
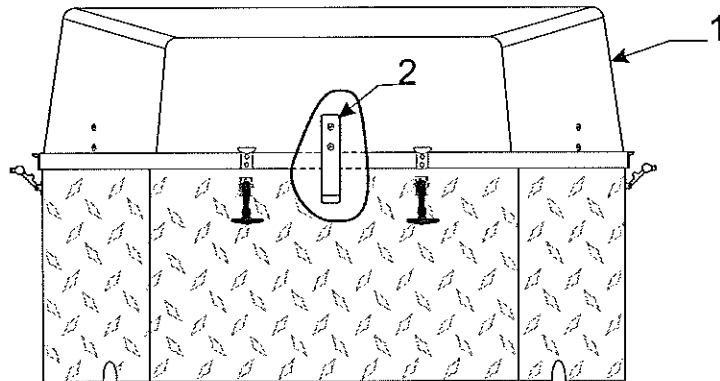
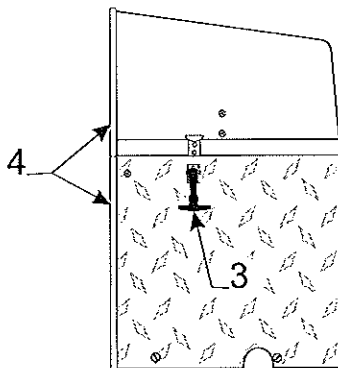
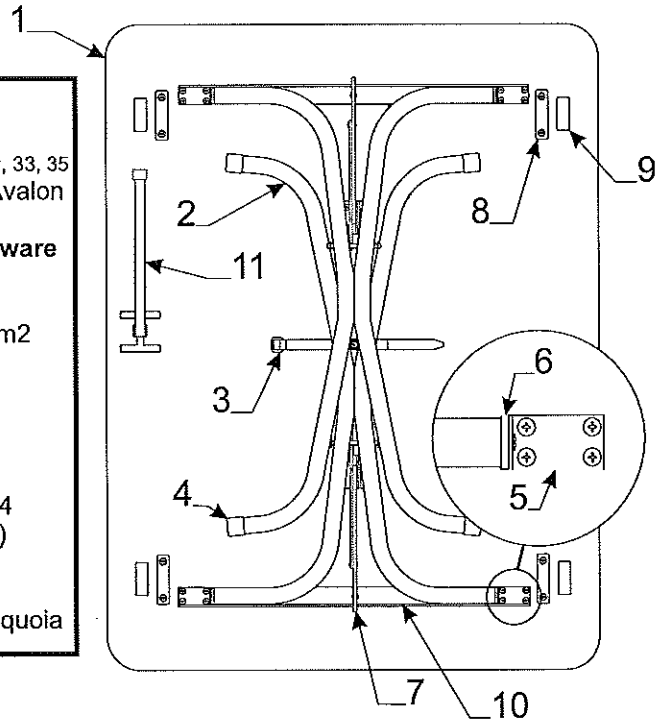
Flat Rate	Code	Part #	Description
.40	1	4772-4791	dual sink drain
.40	2	4752-3621	p-trap w/union joint
.75	3	4757A7201	drain assy. - Arcadia, Niagara
.75		4772B5481	drain assy. - Sequoia
.75		4773-3841	drain assy. - Saratoga
.75		4773-6841	drain assy. - Avalon
.40	4	4758-1391	trap adapter
		4757-9131	rubber washer
.40	5	4765-3531	vent
.40	6	4765-3591	90° elbow

Flat Rate	Code	Part #	Description
	1	4772A5701	oven/range cover assy.
.15	2	4772A1801	steel prop rod
		4772-283	nylon washer x2
		1201B6378	nut
	3	4720A0721	plastic clip m2
		4734J1861	rivet "black" m25
	4	4350000126	flextrud abrasion tape
	5	4772A397	cover hinge
.10	6	4716A2911	3 br. range/oven cook top
.05	7	4716-2901	3 br. range/oven grate



Flat Rate	Dinette Table Assembly Components	Code	Part #	Description
.50	1	4759B4361	table top 39" x 30" 4131, 32, 33, 35	
.50		4773-2811	table top 48" x 30" 4149 Avalon	
.50	2	4745K5271	table leg package	
.10	3	4751A9711	strap & screw pkg.	
	4	4752-0551	white plastic cap m2	
.15	5	4720H1211	table leg mounting brace m2	
		1103E1018	5/8" wood screw	
.15	6	4752A0561	table leg insert cap m2	
		4747-2558	expansion rivet m25	
.25	7	4744-6971	lock brace assy. x2	
		1103E1018	5/8" wood screw	
.15	8	4756-8741	table top plastic spacer m4	
		1103B08148	7/8" screw (x2 per spacer)	
.05	9	4724D2631	velcro fastener m4	
	10	4759-9601	table brace brkt. x2	
	11	4772A3701	table support leg 4132 Sequoia	

**Note: pkg. includes 2 legs & required mounting hardware**

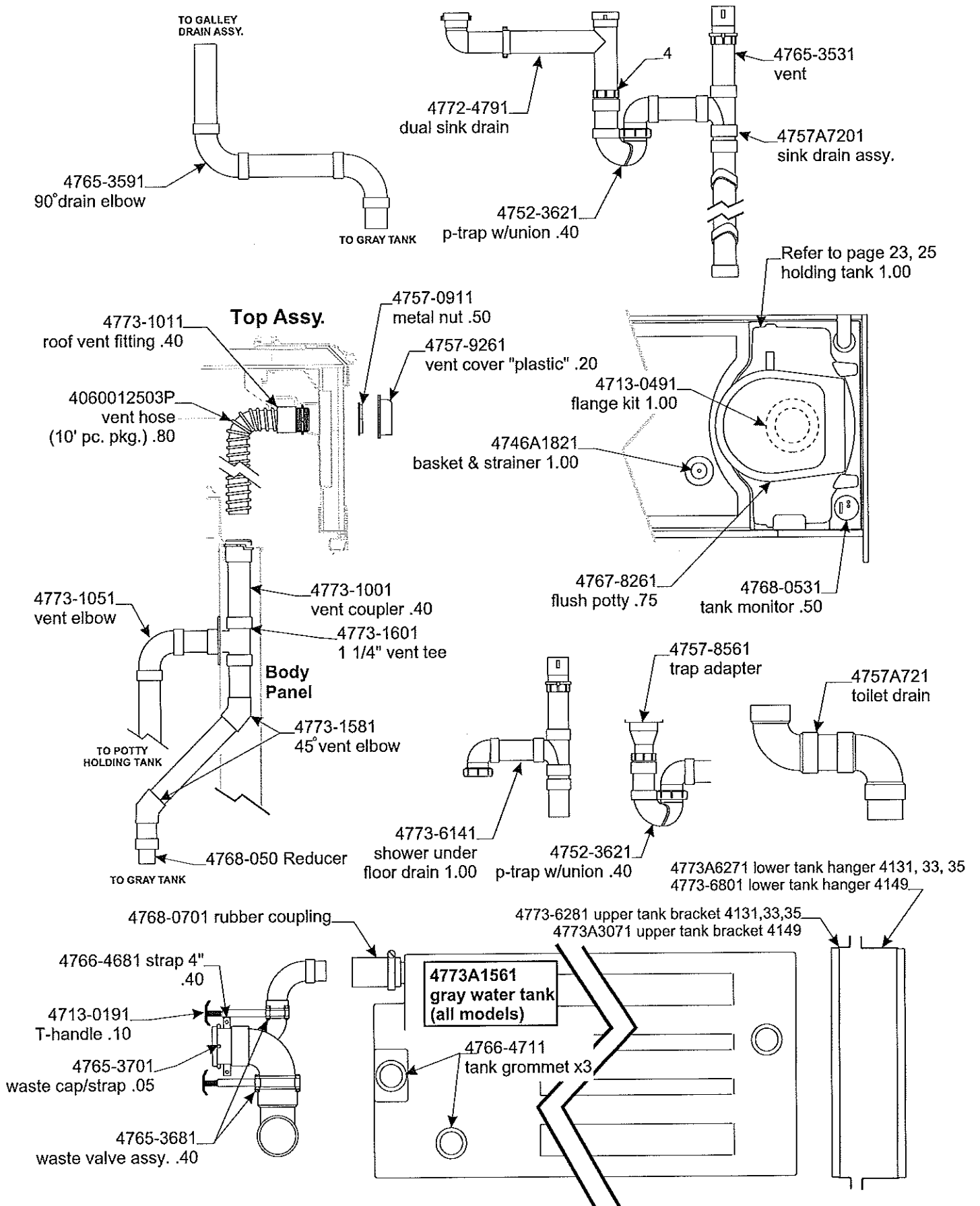


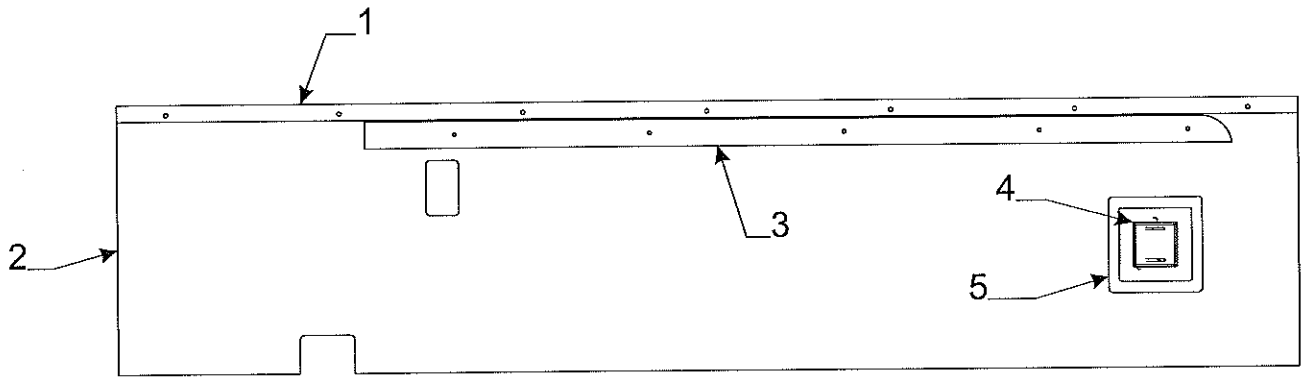
#### 4773-7691 Gas Bottle Cover Assy. (Complete)

Flat Rate	Gas Bottle Cover Components	Code	Part #	Description
.25	1	4773A5291	plastic cover w/hardware	
.15	2	4755-8101	lid clip x3	
.15	3	4755-8111	latch, strike & rivet x4	
	4	4060000014P	edge molding (8' pc. pkg.)	
.10	5	4772A9431	cover keeper w/rivets x4 (all except 4135)	
.05		4732-1181	screw grommet m4	
		1121C1618	license plate screw x2	
.10	5A	4773-4451	c/s cover keeper w/rivets 4135 only	
.10		4773-4461	r/s cover keeper w/rivets 4135 only	
.05		4732-1181	screw grommet m4	
		1121C1618	license plate screw x2	

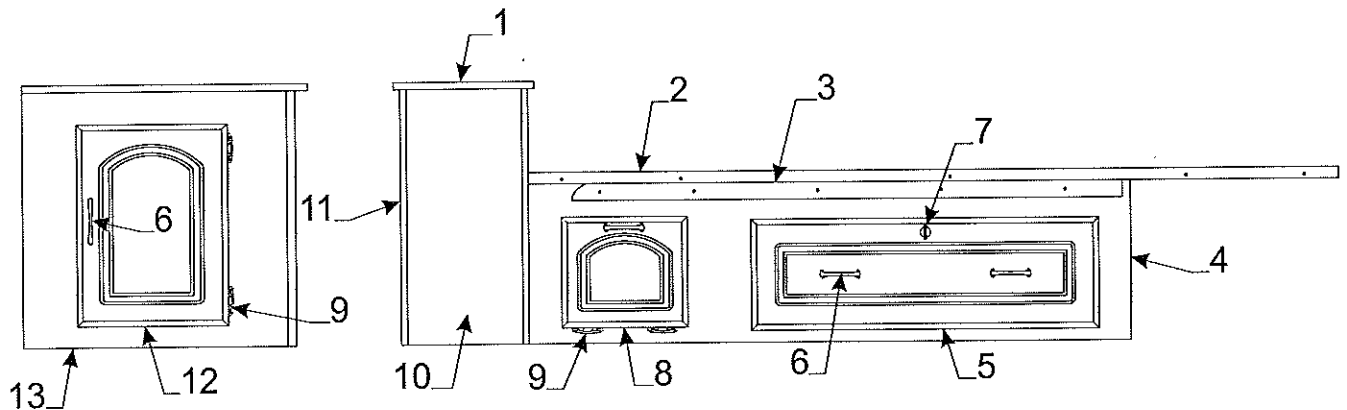


**Note:** Must purchase 1 1/4" black or white drain pipe locally



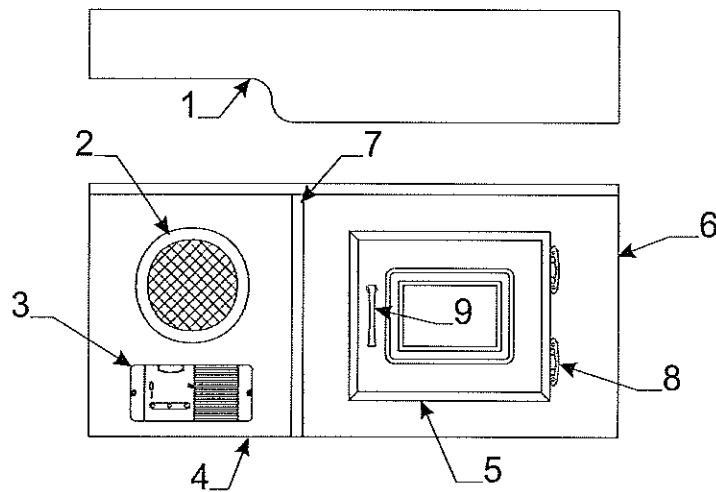
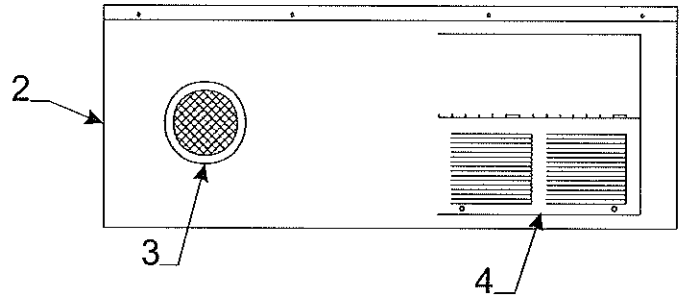
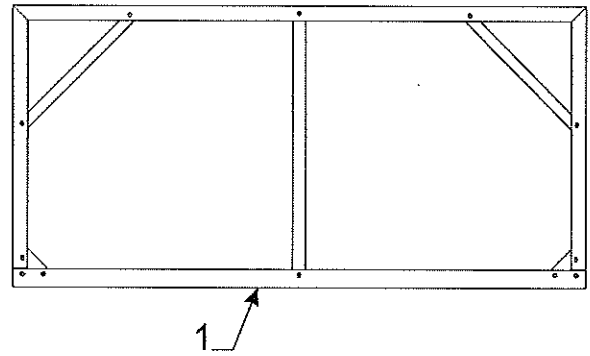


Flat Rate	Code	Part #	Description
.25	1	4772C5541	rs seat bench frame
.25	2	4772A9231	rs seat panel
.15	3	4772D2041	table rest
	4	4752A8461	thermostat
.20	5	4756B8811	plastic base & bracket



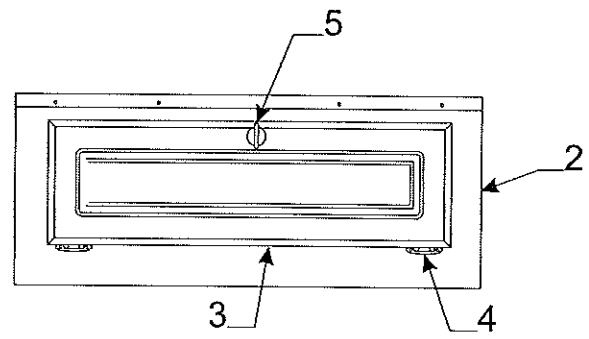
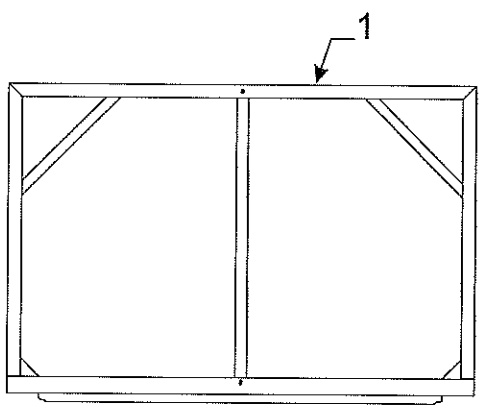
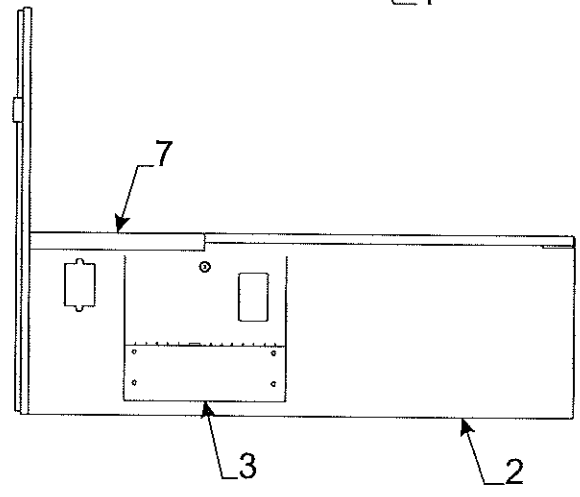
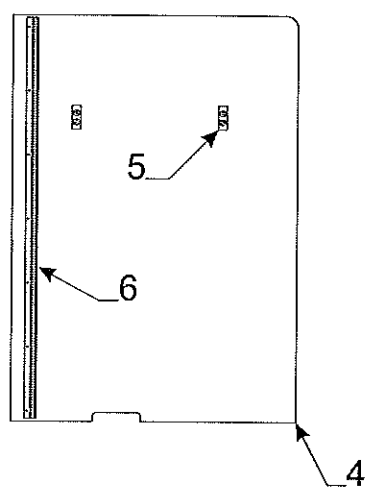
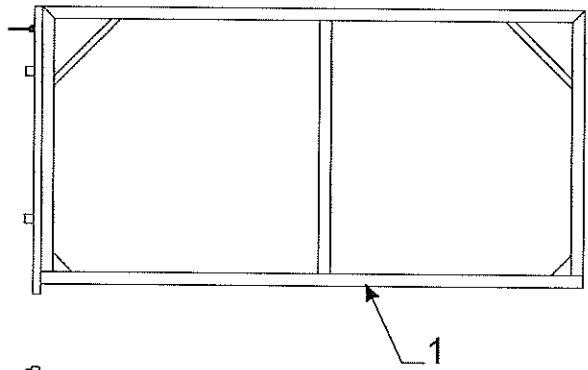
Flat Rate	Code	Part #	Description
.25	1	4772C0721	bench cabinet top
.25	2	4772B5241	cs seat bench frame
.15	3	4772D2041	table rest
.25	4	4772B0781	cs seat panel
.15	5	4757C85061	drawer front 9 1/4" x 30 1/4"
.15		4772B5821	drawer assy.
.10	6	4755B2681	door pull
.15	7	4767-3601	chrome thumb turn
.15	8	4772B1161	door panel 10 1/4" x 10 1/4"
.10	9	4762-4878	hinge
.50	10	4772B075	cabinet front
.65	11	4060137504P	3/8" f-channel 48" pc.
.15	12	4772B1181	door panel 14" x 18 1/2"
.50	13	4772B0741	cabinet side

Flat Rate	Code	Part #	Description
.25	1	4772A5221	seat bench frame - 4132
.25		4773-7131	seat bench frame - 4135
.20	2	4772C0701	bench front panel - 4132
.20		4773-3641	bench front panel - 4135
.15	3	4765-1131	speaker/grill
1.00	4	4772A2441	35 amp converter

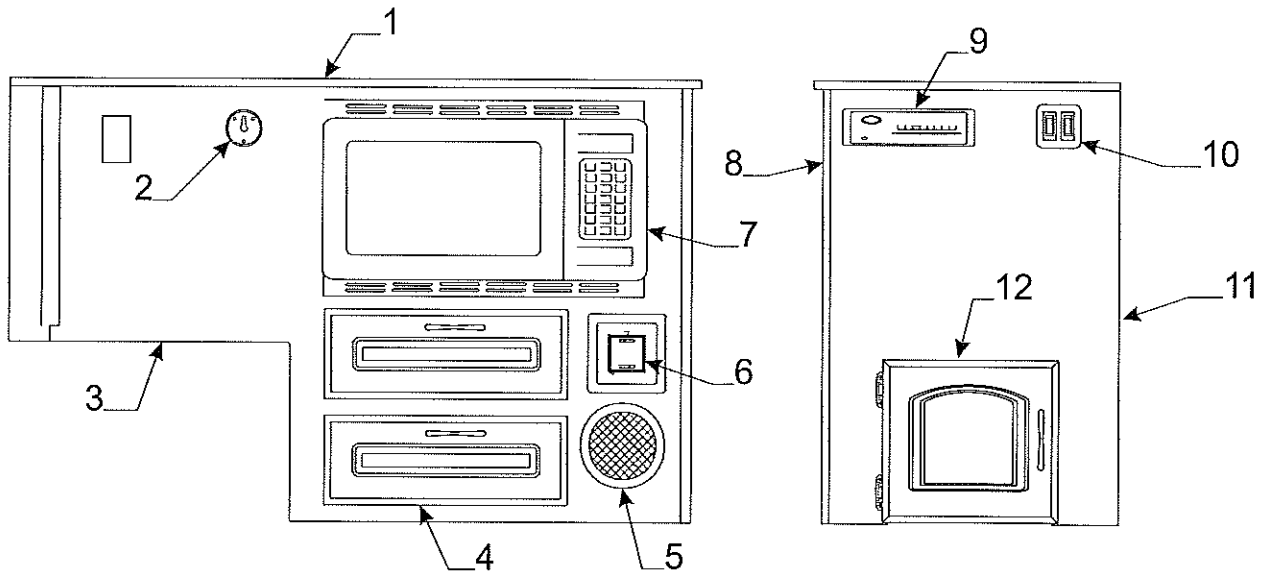


Flat Rate	Code	Part #	Description
.25	1	4772C2711	step top
.15	2	4765-1131	speaker/grill
.25	3	4753A9171	lp gas detector
	4	4772C0431	cabinet frt. lt.
.15	5	4772B1161	door panel 10 1/4" x 10 1/4"
.50	6	4772B0451	cabinet front rt.
.65	7	4060137504P	3/8" f-channel 48" pc.
.10	8	4762-4878	hinge
.10	9	4755B2681	door pull

Flat Rate	Code	Part #	Description
.25	1	4772B6861	rsf seat frame assy. 4133
.25		4772C6861	rsf seat frame assy. 4131
.25		4773-7111	rsr seat frame assy. 4135
.20	2	6010415696P	wood grain panel 48" x 48"
.20		4773-361	bench front 4135 Saratoga
1.00	3	4772A2441	converter 35 amp
.75	4	4772B8411	bench gazoodi 4133, 4131
.75		4773-3581	bench gazoodi 4135 Saratoga
.30		4060400093P	t-molding (12' pc. Pkg.)
.50	5	4755B8201	nylon block
.50	6	4772-8471	vertical seal extrusion
		4064700589P	sweep seal (8' pc. pkg.)
	7	4752E4731	table rest 4131 Arcadia

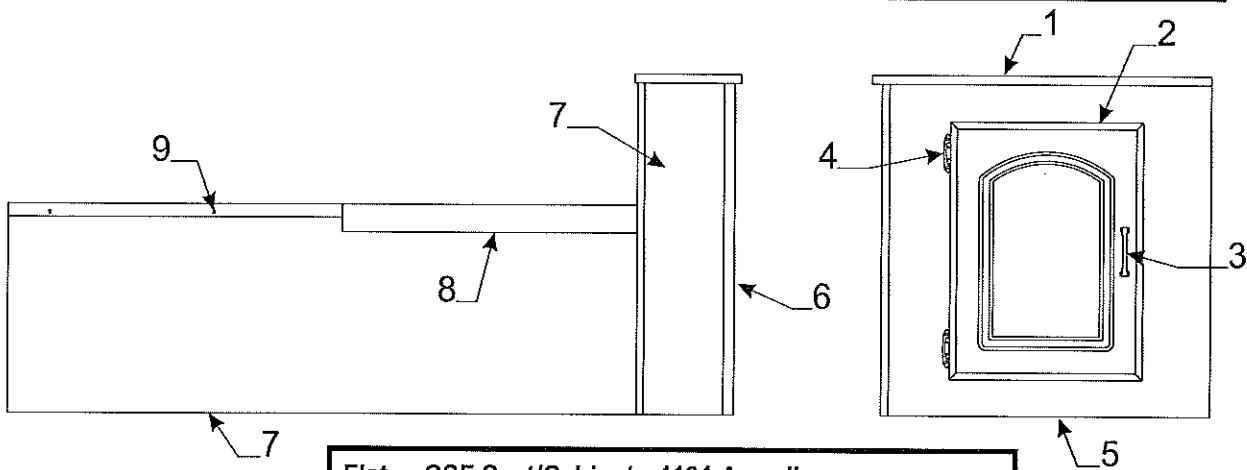


Flat Rate	Code	Part #	Description
.25	1	4772B6881	seat frame assy. 4133 Niagara
.25		4754A7951	seat frame assy. 4131 Arcadia
.20	2	4772D8461	bench front 4133 Niagara
.20		4772C8461	bench front 4131 Arcadia
.15	3	4757C85061	door panel 30 1/4" x 9 1/4" 4133, 4131
.10	4	4762-4878	hinge
.15	5	4767-3601	chrome thumb turn lock

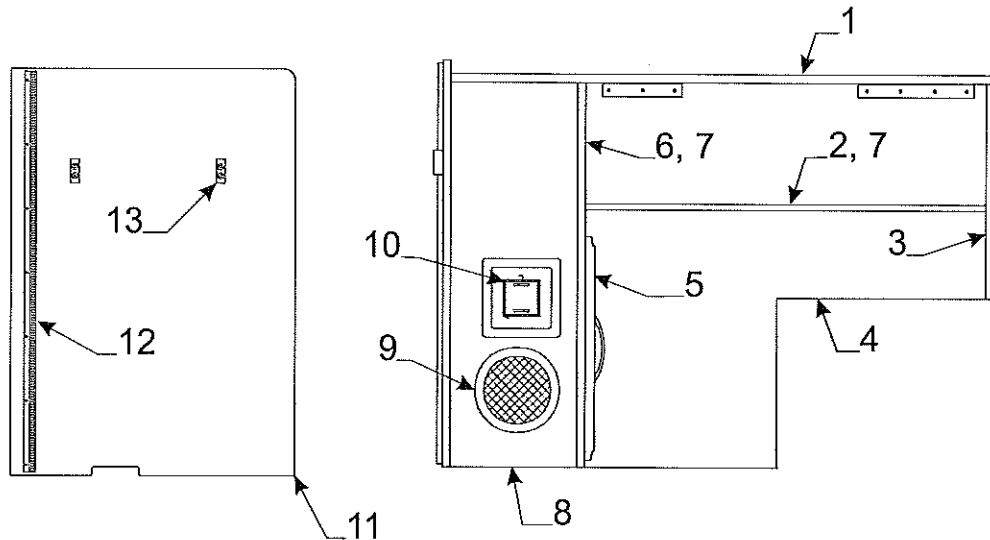


\* Warranted Through Vendor

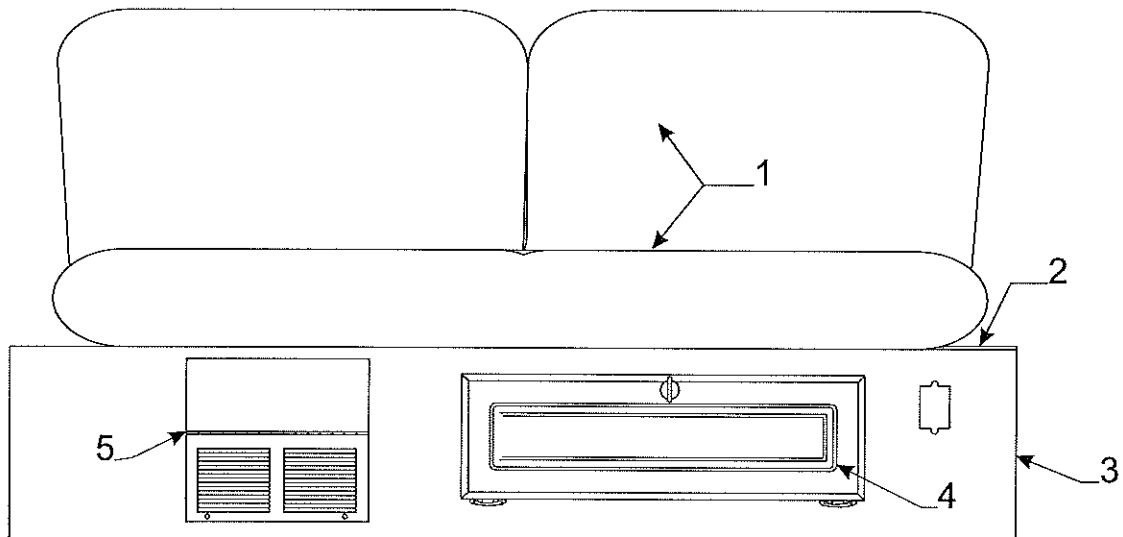
Flat Rate	CSF Corner Cabinet - 4133 Niagara	Code	Part #	Description	Flat Rate	Code	Part #	Description
.75	1	4772C8311	bench cabinet top	.65	8	4060137505P	3/8" f-channel (48" pc.)	
	2	4757A4871	coax outlet	.50	9	4765C1121	am/fm cd radio	
1.00	3	4772D8321	cabinet front			4765A1141	wire antenna w/plug	
.15	4	4772B3521	drawer front 6 3/4" x 18 3/4"	.10	10	4765-1471	switch	
.10		4772B6401	drawer assy.	.50	11	4772C8331	cabinet side	
.15	5	4765-1131	speaker/grill	.15	12	4757B4621	dr. pnl 13 3/8" x 12 1/4"	
*	6	4752A8461	thermostat	.10		4762-4878	hinge	
.20		4756B8811	plastic base & bracket	.10		4755B2681	door pull w/screws	
.20	7	4773-0601	microwave "Dometic"					
		4773-0681	microwave trim kit					



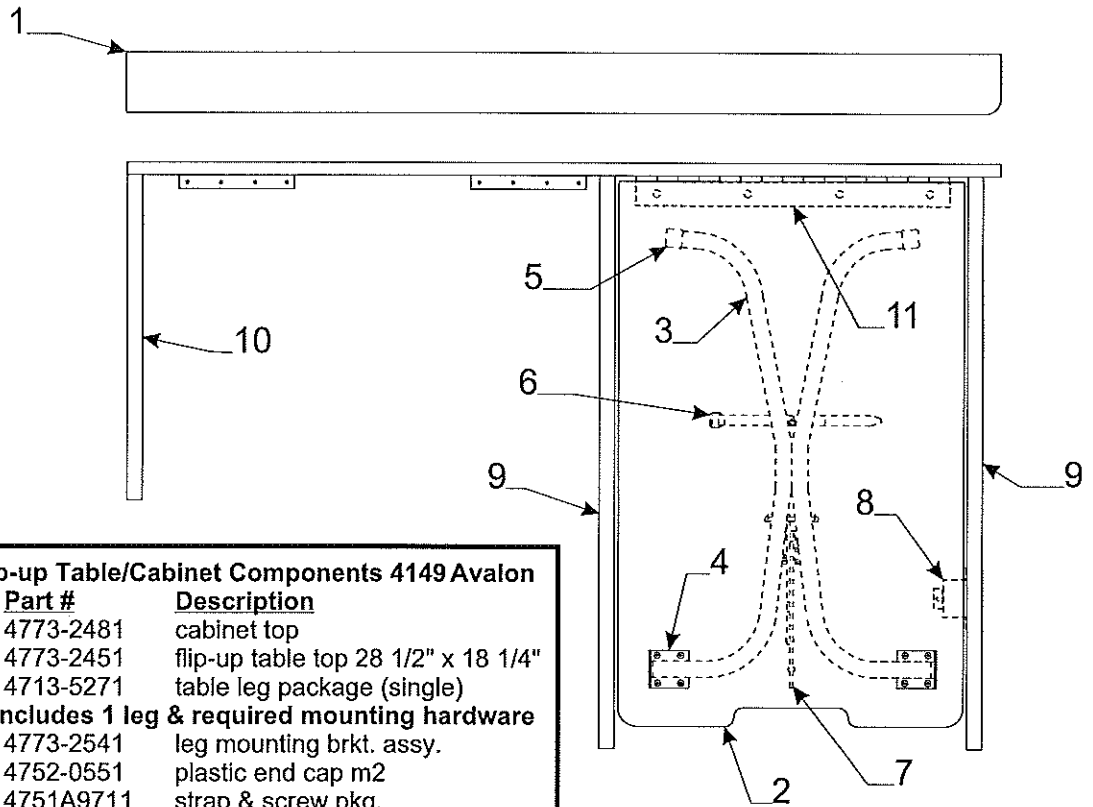
Flat Rate	CSF Seat/Cabinet - 4131 Arcadia	Code	Part #	Description
.75	1	4773A1421	cabinet top	
.15	2	4772B1181	dr pnl 14" x 18 1/2"	
.10	3	4755B2681	door pull w/screws	
.10	4	4762-4878	hinge	
1.00	5	4773-1441	cabinet front	
.65	6	4060137505P	3/8" f-channel (48" pc.)	
.20	7	6010415696P	wood grain panel 48" x 48"	
	8	4752E4731	table rest	
.25	9	4772B6861	seat frame assy.	



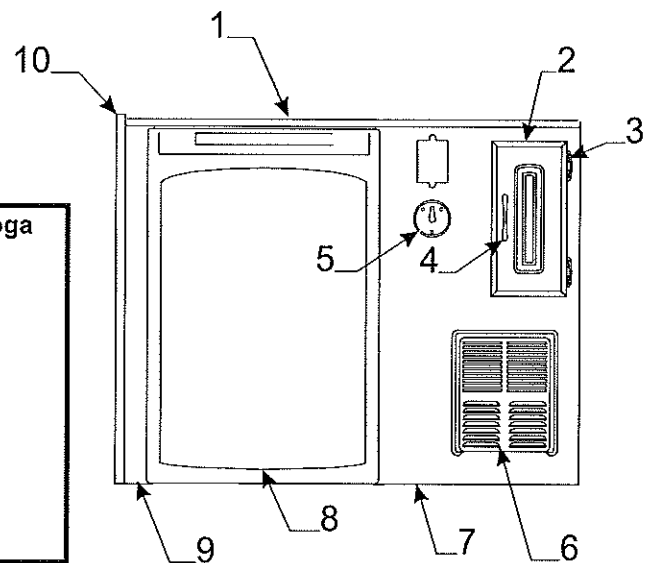
Flat Rate	Code	Part #	Description	Flat Rate	Code	Part #	Description
.75	1	4773-2131	rsf cabinet top	.15	9	4765-1131	speaker
1.00	2	4773A217	shelf	*	10	4752A8461	thermostat
.15	3	4773A227	top rest	.20		4756B8811	plastic base & bracket"
	4	4773A212	shelf front	.75	11	4772B8411	gazoodi
.15	5	4767A8221	door front 7" x 14 1/4"	.30		4060400093P	t-molding (12' pc. pkg.)
	6	4773-216	cabinet side	.50	12	4772-8471	vertical seal extrusion
	7	4060115605P	f-channel 48" pc.			4064700589P	sweep seal (8' pc. pkg.)
	8	4773-215	cabinet front				



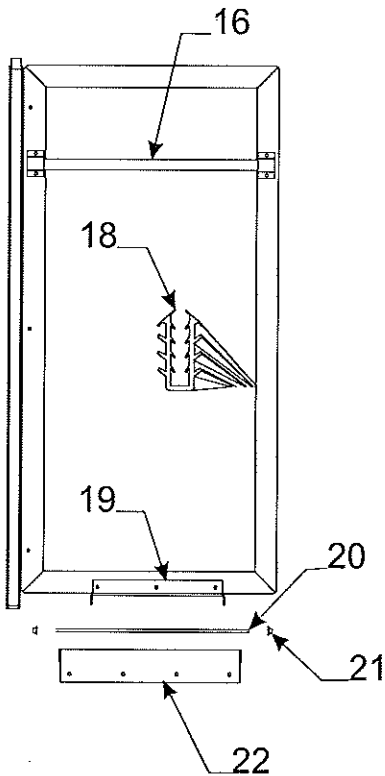
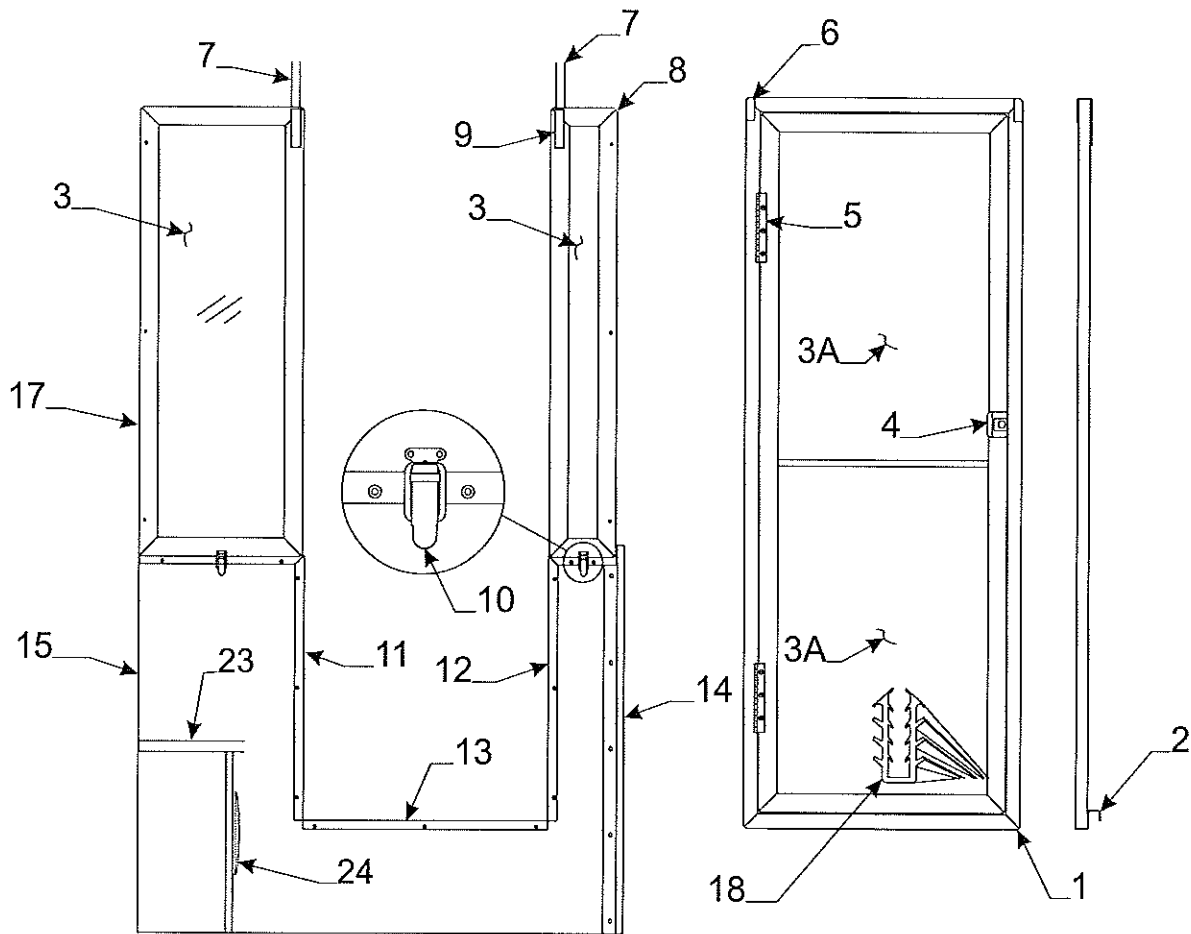
Flat Rate	Code	Part #	Description
	1	4713B588B1	sofa backrest recover
		4713B588C1	sofa cushion recover
		4761B5881	jackknife sofa assy.
.20	2	6010415696P	wood grain panel 48" x 48"
.20	3	4773-2411	sofa base front
.15	4	4757C85061	door panel 30 1/4" x 9 1/4"
.10		4762-4878	hinge
.15		4767-3601	chrome thumb turn lock
1.00	5	4772A2441	converter 35 amp



Flat CSF Flip-up Table/Cabinet Components 4149 Avalon				
Rate	Code	Part #	Description	
.50	1	4773-2481	cabinet top	
.50	2	4773-2451	flip-up table top 28 1/2" x 18 1/4"	
.50	3	4713-5271	table leg package (single)	
<b>Note: pkg. includes 1 leg &amp; required mounting hardware</b>				
.15	4	4773-2541	leg mounting brkt. assy.	
.10	5	4752-0551	plastic end cap m2	
.10	6	4751A9711	strap & screw pkg.	
.25	7	4744-6971	leg lock brace assy.	
	8	4772B884	hat bracket	
		4733-6391	latch & strike pkg.	
	9	4773-2491	cabinet side x2	
	10	4773-250	table cabinet support	
		4773-2531	hinge	
		4755-393	screw x8	



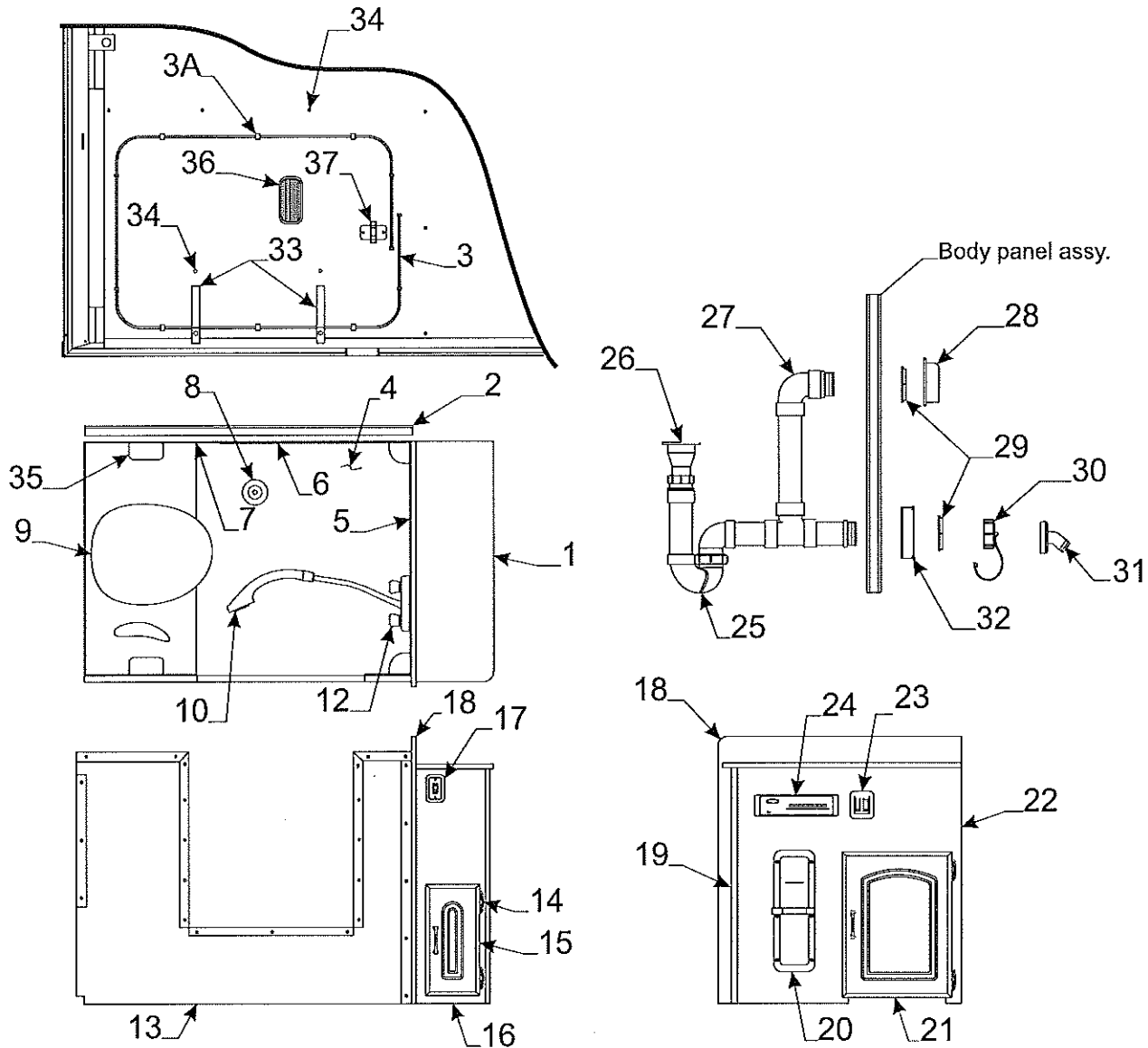
Roadside Front Reefer Cabinet - 4135 Saratoga				
Rate	Code	Part #	Description	
1.00	1	4773-3571	cabinet top	
.15	2	4767A8221	door panel 7" x 14 1/4"	
.10	3	4762-4878	hinge	
.10	4	4755B2681	door pull	
	5	4757A4871	coax out-let	
.10	6	4743-3551	furnace grill	
.20	7	4773-3551	cabinet front rt.	
	8	4773-139	refrigerator 4.2 cu. ft.	
.20	9	4773-356	cabinet front lt.	
	10	4773-3581	cabinet gazoodi	



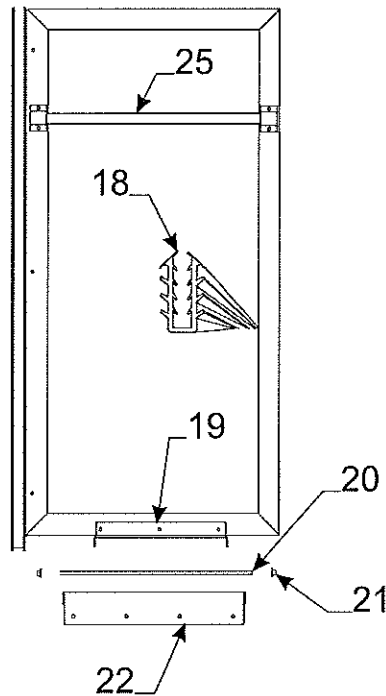
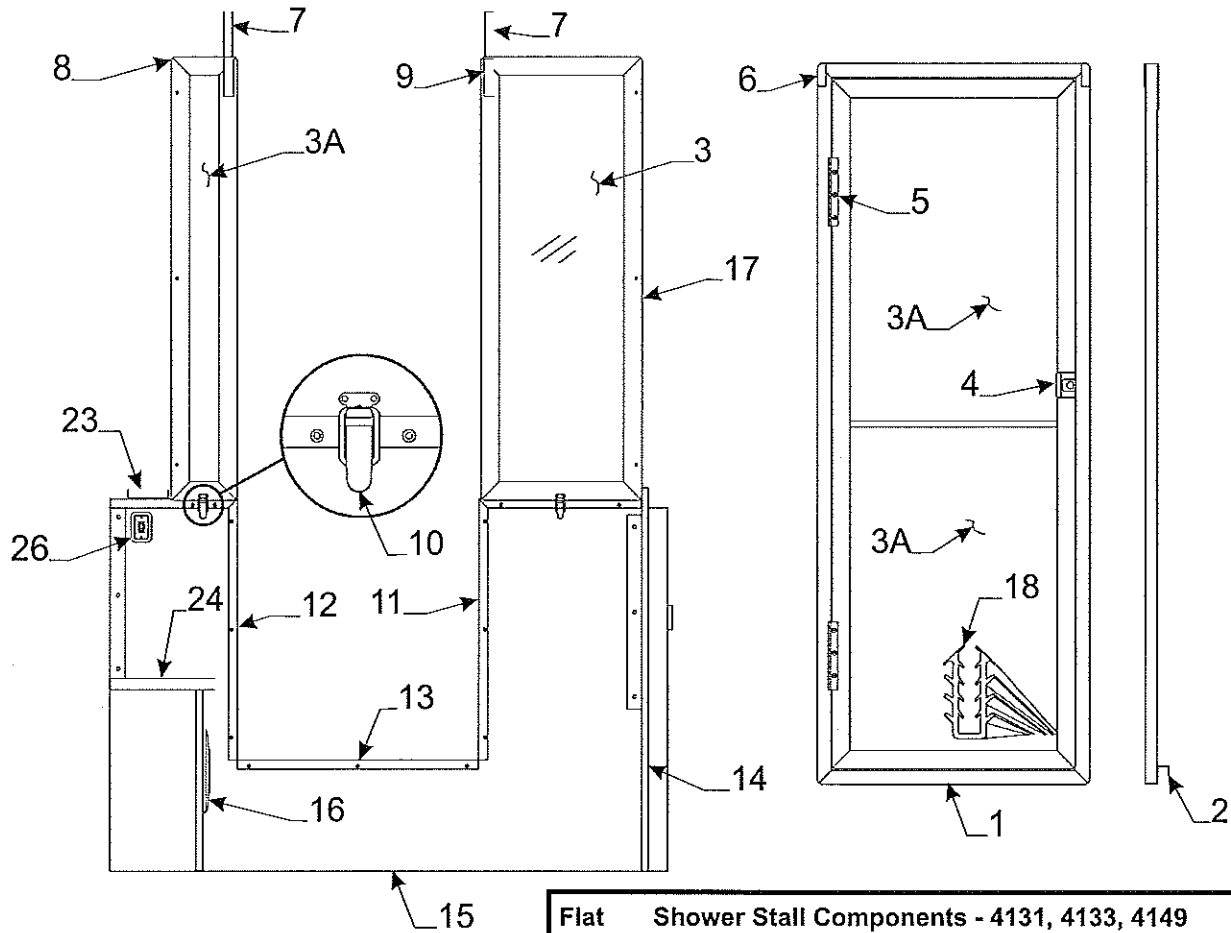
#### Shower Stall Components - 4132 Sequoia, 4135 Saratoga

FR	Code	Part #	Description
.10	1	4772D6131	shower door
		4772-9101	vinyl end protector x2
.15	2	4772C4311	shower door stay brkt.
.40	3	4772A9001	mirror
.40	3A	4772-4461	universal fiberglass panel
.40		4772-8871	universal exterior luan panel
.15	4	4742-9671	latch assy.
.15	5	4720C3601	hinge x2
		4734K1861	rivet m25
	6	4351400012F	grey velcro loop (sold/yd.)
	7	4772-6641	shower door strap assy. x2
.25	8	4772D6061	rt. shower wall assy.
	9	4351400005F	gray velcro hook (sold/yd.)
.15	10	4772-4261	latch & strike
.10	11	4772F314	shower wall cap lt.
.10	12	4772D313	shower wall cap rt.
.10	13	4772E316	threshold cap
1.50	14	4772C0921	shower wall gazoodi - Sequoia
2.00	15	4772F3101	shower wall threshold - Sequoia
2.00		4773-3691	shower wall threshold - Saratoga
.15	16	4765B1211	towel bar
.25	17	4772D6051	lt. shower wall assy.
	18	4060000086F	rubber seal (sold/ft.)
.20	19	4772B4441	wall pivot brkt.
.10	20	4772-4541	pivot rod & pal nuts
	21	1201B7071	pal nut m6
.20	22	4772-4531	shower wall pivot brkt. x2
	23	4772C6971	speaker cabinet. assy. 4135
		4773A039	top carpet
.15	24	4765-1131	speaker/grill

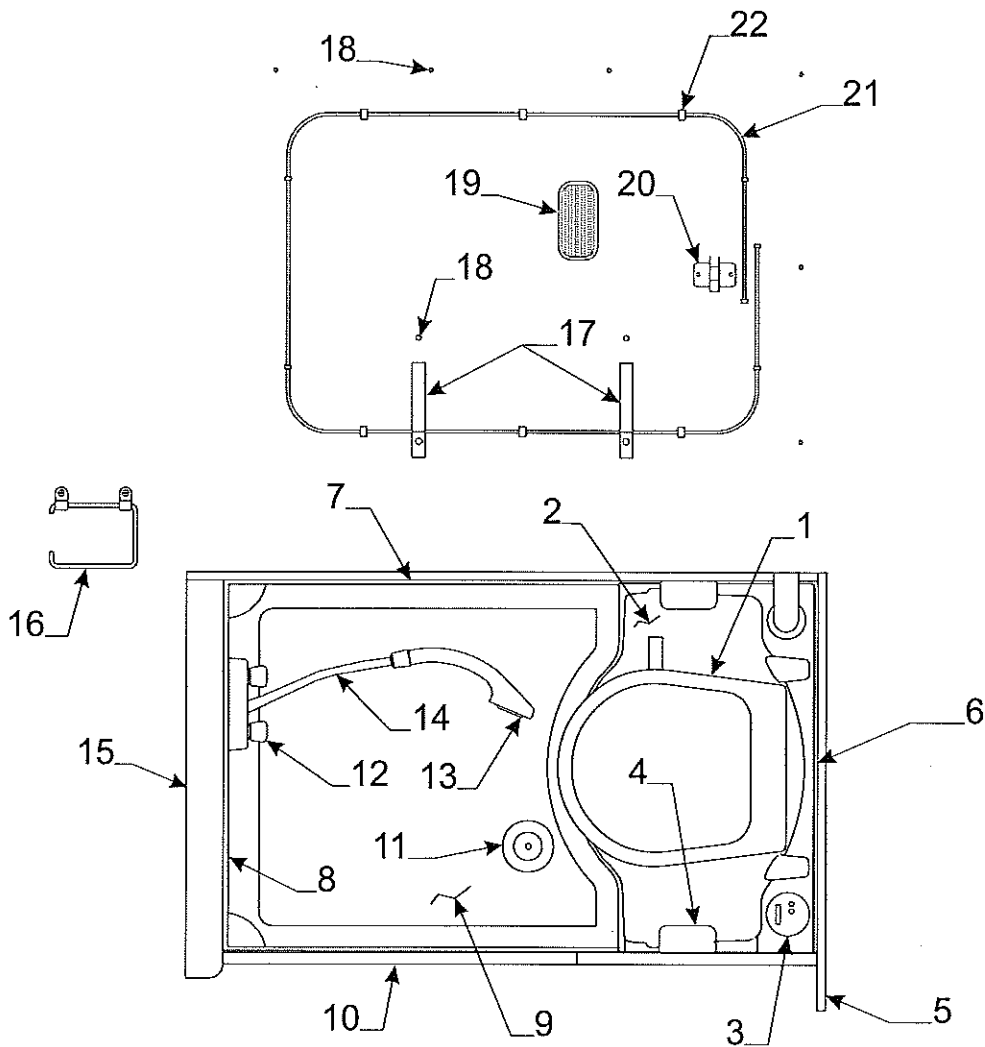




CSF Shower Stall Components - 4132 Sequoia, 4135 Saratoga				Flat			
FR	Code	Part #	Description	Rate	Code	Part #	Description
.50	1	4772B1151	cabinet top - Sequoia	.75	16	4772C097	shower cabinet frt. Sequoia
.50		4773-3701	cabinet top - Saratoga	.10	17	4765-1471	single switch
.20	2	4772A3151	retaining angle	1.50	18	4772C0921	shower wall gazoodi
.10	3	4772A3871	shower curtain i-beam	.15	19	4060137505P	3/8" f-channel 48"
.10	3A	4739-1201	i-beam mounting brkt. m12				Note: refer to page 12 for this item
1.00		4753A9871	rivet m25	.15	21	4772B1181	door panel 14" x 18 1/2"
1.00	4	4772-2991	shower pan - Sequoia	.75	22	4772C0911	cabinet side - Sequoia
1.00		4767-8291	shower pan - Saratoga	.75		4773-372	cabinet side - Saratoga
1.00	5	4772A2961	tub surround rt.	.10	23	4765-1481	double switch
1.00	6	4772A2981	tub surround center	.50	24	4765C1121	am/fm/cd stereo
1.00	7	4772A2971	tub surround lt.	.40	25	4757A7191	tub drain trap assy.
.50	8	4746A1821	basket & strainer		26	4757-8561	drain plug adapter
.75	9	4746D2461	cassette potty - Sequoia	1.00	27	4772B6151	tub drain vent
		4767-8261	flush potty - Saratoga	.20	28	4757-9261	vent cover "plastic"
		4767B8431	holding tank 9.5 gal. Saratoga	.50	29	4757-0921	metal nut "white"
.15	10	4767-0101	shower head w/bracket	.10	30	4714A2861	cap & strap
.20	11	4741B2051	shower hose 72"		31	4737-9138	drain adapter
.10		4716-0848	shower hose connector	.15	32	4772A4161	hat section
.50	12	4741B2071	shower diverter	.15	33	4772-6631	curtain strap
2.00	13	4772F3101	shower wall threshold Sequoia	.05	34	4730A3548	stud w/screw
2.00		4773-3691	shower wall threshold Saratoga	.15	35	4772-4561	wall rest block
.15	14	4762-4878	hinge	.15	36	4759-1721	light
.15	15	4767A8221	door panel 7" x 14 1/4"	.20	37	4767-0111	shower head brkt.

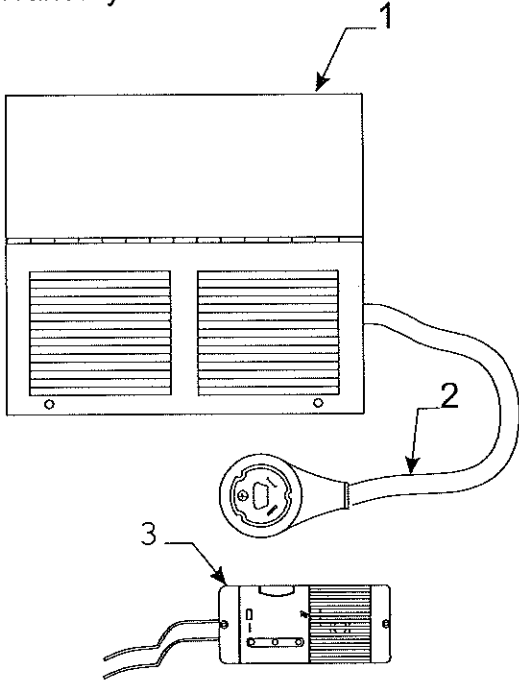


Flat Rate	Shower Stall Components - 4131, 4133, 4149	Code	Part #	Description
.10	1	4772D6131	4772-9101	shower door
			4772-9101	vinyl end protector x2
.15	2	4772C4311	4772A9001	shower door stay brkt.
.40	3	4772A9001	4772-4461	mirror
.40	3A	4772-4461	4772-8871	universal fiberglass panel
.40			4772-8871	5/32" wood panel 18 3/8 x 57 5/8"
.15	4	4742-9671	4720C3601	latch assy.
.15	5	4720C3601	4734K1861	hinge
			4734K1861	rivet m25
	6	4351400012F	4772-6641	grey velcro loop (sold/yd.)
	7	4772-6641	4772D6921	shower door strap assy. x2
.25	8	4772D6921	4351400005F	rt. shower wall assy.
.15	9	4351400005F	4772-4261	gray velcro hook (sold/yd.)
.15	10	4772-4261	4772D851	latch & strike
.10	11	4772D851	4772C850	shower wall cap lt.
.10	12	4772C850	4772E316	shower wall cap rt.
.10	13	4772E316	4772C8521	threshold cap
1.50	14	4772C8521	4772C8481	shower wall gazoodi
2.00	15	4772C8481	4765-1131	shower wall threshold
	16	4765-1131	4772D6911	speaker/grill
.25	17	4772D6911	4060000086F	lt. shower wall assy.
	18	4060000086F	4772B4441	rubber seal (sold/ft.)
.20	19	4772B4441	4772-4541	wall pivot brkt.
.10	20	4772-4541	1201B7071	pivot rod & pal nuts
	21	1201B7071	4772-4531	pal nut m6
.20	22	4772-4531	4772B8541	shower wall pivot brkt. x2
.50	23	4772B8541	4772C6971	shower cabinet top
	24	4772C6971	4773A039	speaker cabinet. assy.
			4773A039	top carpet
	25	4765B1211	4733C4981	towel bar
.10	26	4733C4981		rocker switch

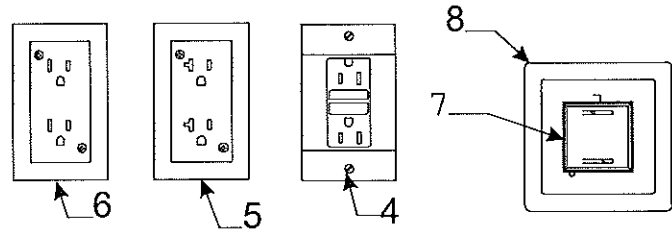


Flat Rate	Code	Part #	Description	Flat Rate	Code	Part #	Description
.75	1	4767-8261	flush potty	.50	12	4741B2071	shower diverter
.75	2	4767-8431	holding tank 9.5 gal.	.10		4716-0848	shower hose connector
		4713-0491	flange kit	.15	13	4767-0101	shower head w/bracket
.50	3	4768-0531	tank monitor	.20	14	4741B2051	shower hose 72"
.15	4	4772-4561	wall rest block	.50	15	4772B8541	shower cabinet top
1.50	5	4772C8521	shower wall gazoodi	.15	16	4756-9121	TP holder
.30		4060400093P	t-molding pkg.			4747-2531	nylon clamp m2
1.00	6	4772B4811	tub surround frt.	.15	17	4772-6631	curtain strap
1.00	7	4772A2981	tub surround center	.05	18	4730A3548	stud w/screw
1.00	8	4772-4801	tub surround rear	.15	19	4759-1721	light
1.00	9	4767-8291	shower pan	.20	20	4767-0111	shower head brkt.
2.00	10	4772C8481	shower wall threshold	.10	21	4772A3871	shower curtain i-beam
.50	11	4746A1821	basket & strainer	.10	22	4739-1201	i-beam mounting brkt. m12
						4753A9871	rivet m25

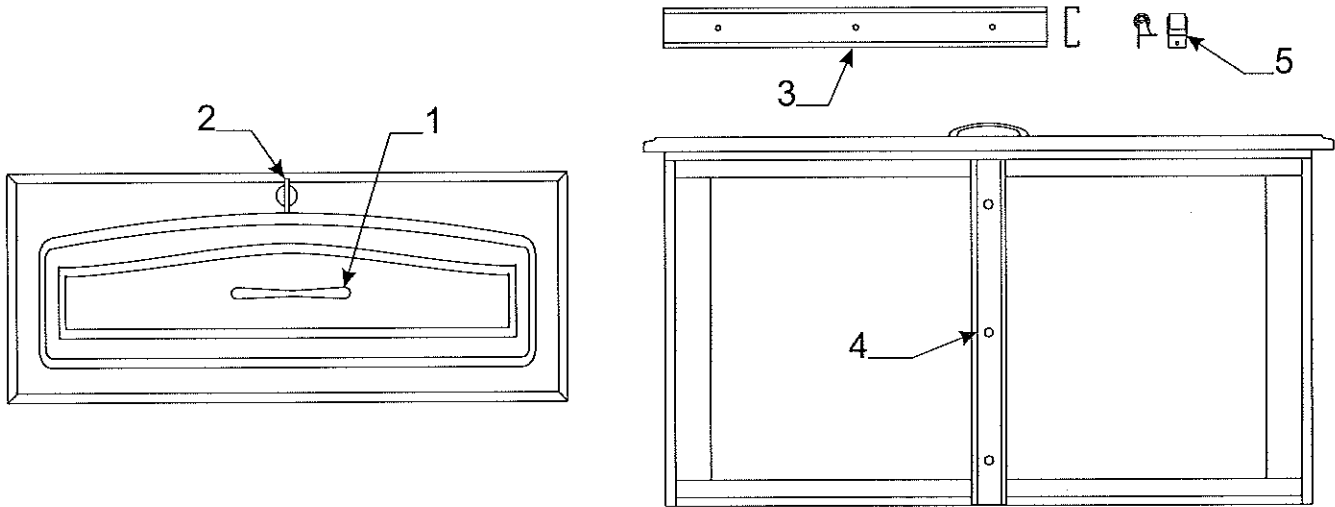
**WORLD FRIENDSHIP CO., LTD**  
 Warranty: 800-900-2468



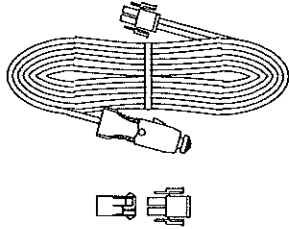
Flat Rate	Code	Part #	Description
1.00	1	4772A2441	converter 35 amp WFCO
.30		4757-3401	15/20 amp double breaker
.30		4757-3411	15/15 amp double breaker
.30		4765-9841	15 amp single breaker
.30		4757-8601	30 amp main breaker
.60	2	4772-1601	power cord 32 ft.
.25	3	4753B9171	lp gas detector
.35	4	4746B3841	15 amp GFI receptacle (white)
.35		4746D3841	15 amp GFI receptacle (brown)
.20	5	4752-2371	20 amp receptacle (white)
.20		4744-3081	20 amp receptacle (brown)
.20	6	4752-2361	15 amp receptacle (white)
.20		4710B3551	15 amp receptacle (brown)
.20		4765-4041	15 amp reefer receptacle (white)
		4746A3851	receptacle box
	7	4752A8461	thermostat
.20	8	4756B8811	plastic base & bracket



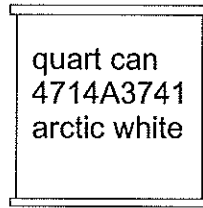
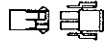
Flat Rate	Code	Part #	Description
.10	1	4755B2681	door pull w/screws
.15	2	4767-3601	chrome thumb turn lock
.15	3	4757A9091	14" metal drawer guide
.15		4757B8891	17" metal drawer guide
.25	4	4772-2011	20" pvc i-beam drawer guide
.10	5	4757-8911	drawer roller m2



4733D6701 auto extension



4716A4701 12 volt cap & plug m2

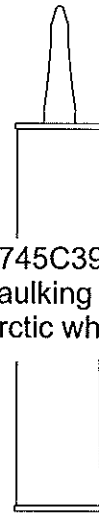


quart can  
4714A3741  
arctic white

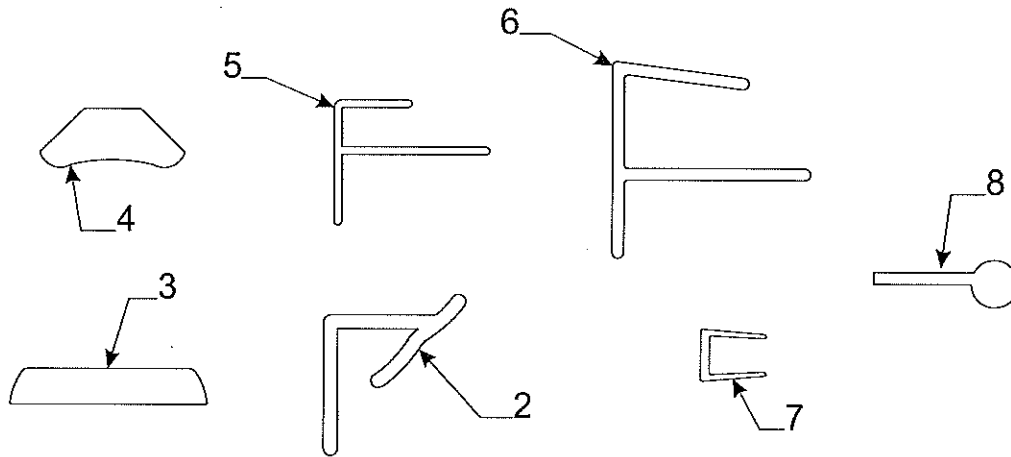


16 oz. spray

0008-2561 arctic white  
0008-2641 black "textured"  
0008-2571 black  
0008-2701 summit ash (brown)

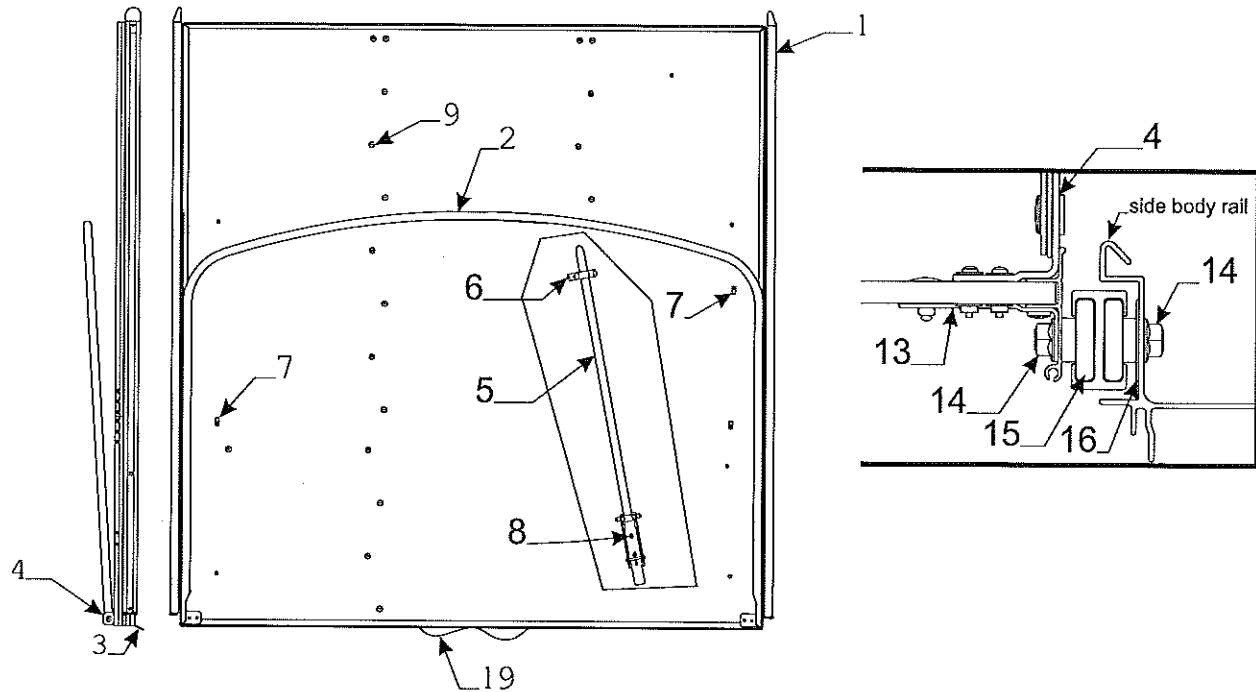


4745C3908  
caulking  
arctic white



\* Prior Authorization Needed

Flat Rate	Paneling & Trim (Must Cut To Size)		
	Code	Part #	Description
*	1	6010010997P	wall panel (mozart pebble) 96" x 48"
*		6010415696P	woodgrain panel (summit ash) 48" x 48"
*	2	4060400380P	plastic corner divider (mozart pebble) 48" pc.
*		4060400379P	plastic corner divider (summit ash) 48" pc.
*	3	4066500069P	wood batten strip (summit ash) 48" pc.
*	4	4060475011P	wood inside corner (summit ash) 48" pc.
*		4066575008P	wood inside corner (mozart pebble) 96" pc.
*	5	4060115605P	5/32" F-channel woodgrain 48" (summit ash)
*	6	4060137505P	3/8" F-channel woodgrain 48" (summit ash)
	8	4060000031P	sponge gimp 3/16" (21' pc. pkg.) Brown
	9	4356500012P	1" seam tape (mozart pebble) 150' roll
		4350500005P	1" wood grain tape (summit ash) 150' roll

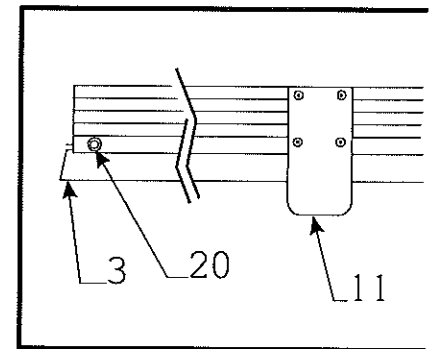
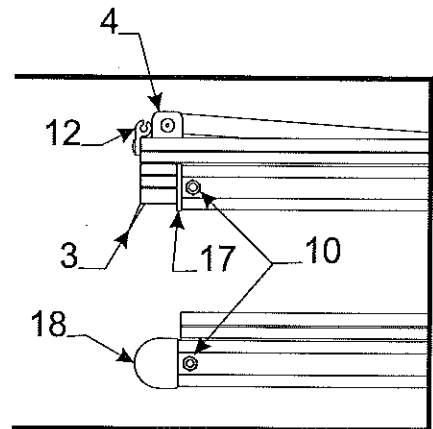


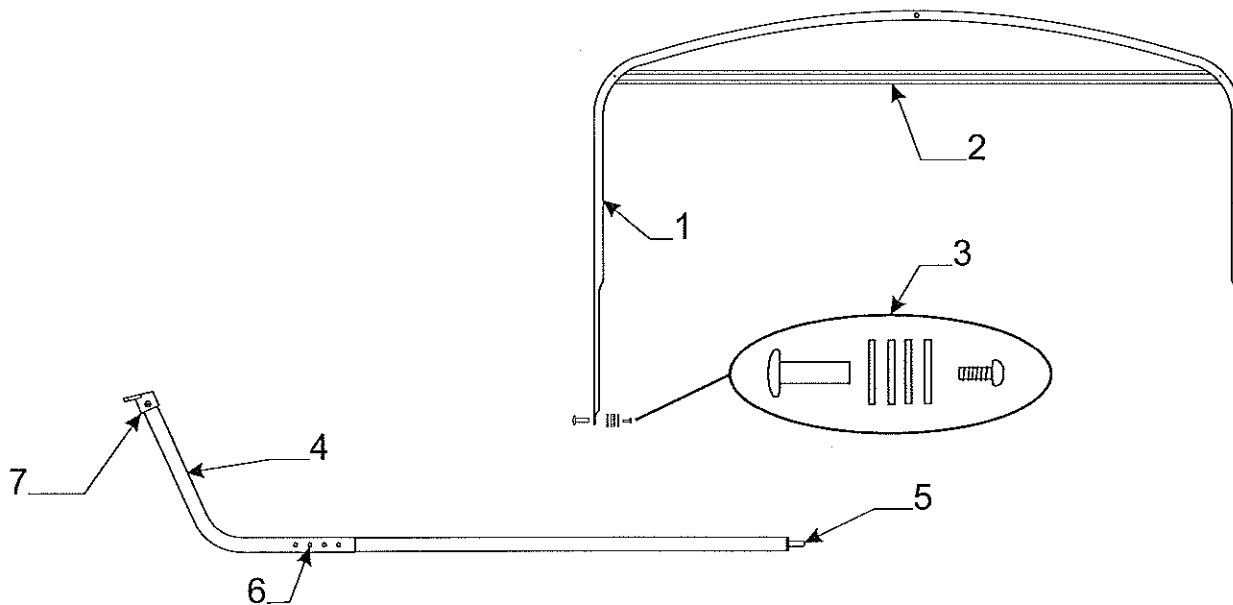
4131, 4132, 4133, 4149 - 4772A5321 Front Bed Assy. "Complete"  
 4131, 4132, 4133, 4149 - 4772A5311 Rear Bed Assy. "Complete"  
 4135 Saratoga - 4773-7551 Front Bed Assy. "Complete"  
 4135 Saratoga - 4773-7471 Rear Bed Assy. "Complete"

Flat Rate .75 Bed assy. replacement

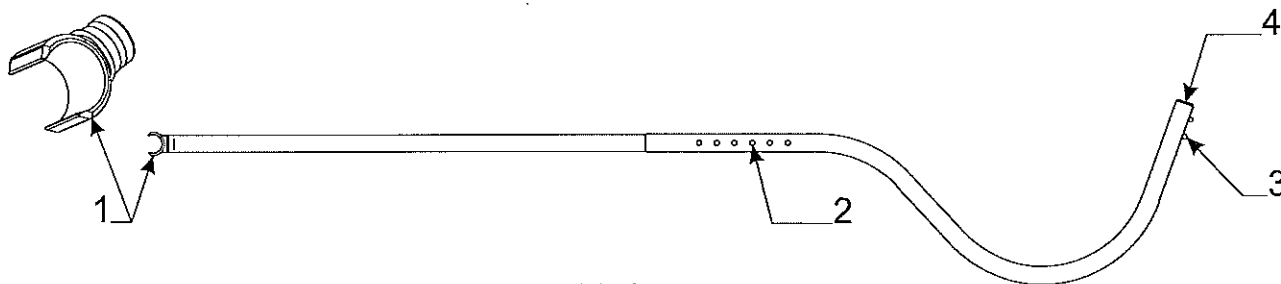
\* .50 First Bed Extension  
 \* .25 Second Bed Extension

Flat Rate	Front/Rear Bed Assy. Code	Components Part #	Description
*	1	4716U4031	bed extension (x2 per bed)
.25	2	4772A2091	tent bow/leg package
.25	3	4060300339P	vinyl bed seal (8' pc. pkg.)
.15	4	4720K5631	bed bow bracket m2
		4757-9241	1 1/2" plastic fender washer m4
		1203C8721	steel rivet m25 (affix bow to brkt.)
		1016B10148	machine screw x2 per brkt.
		1201B6958	wiznut x2 per brkt.
.20	5	4773-5311	rear bed leg assy. x2 (all except 4135)
.20		4758B0411	rear bed leg assy. x2 (4135 only)
.30		4773-5321	front bed leg assy. x2 (all models)
.15	6	4757-4331	bed leg clip
		1203-8831	rivet m25 (rivet clip to bed)
.15	7	4720D4021	lashing hook m6
		1203-8741	rivet m25 (rivet hook to bed)
.25	8	4772-9451	slotted support plate 6 1/2"
.20		4714-4521	mounting screws (pkg. x3)
	9	1203C8721	rivet m25
.20	10	1034B16128	flat head screw
		1201B6378	lock nut
.25	11	4772C1131	kill switch plate
		4746C0971	kill switch m4
.50	12	4758-8301	bed end retainer track & rivets
.20	13	4755A2591	bed brkt. w/hardware x4
	14	4739-2298	lock nut
.50	15	4754-8101	bed roller, nut, bolt, & washer pkg.
	16	1202B2908	washer
.15	17	4754-8631	bed slide end cap
.15	18	4754-4821	bed slide wedge
.20	19	4758-9481	pull-out handle strap & rivets
		4758-8001	rivet "black" m25
	20	4730A3548	snap stud w/screw



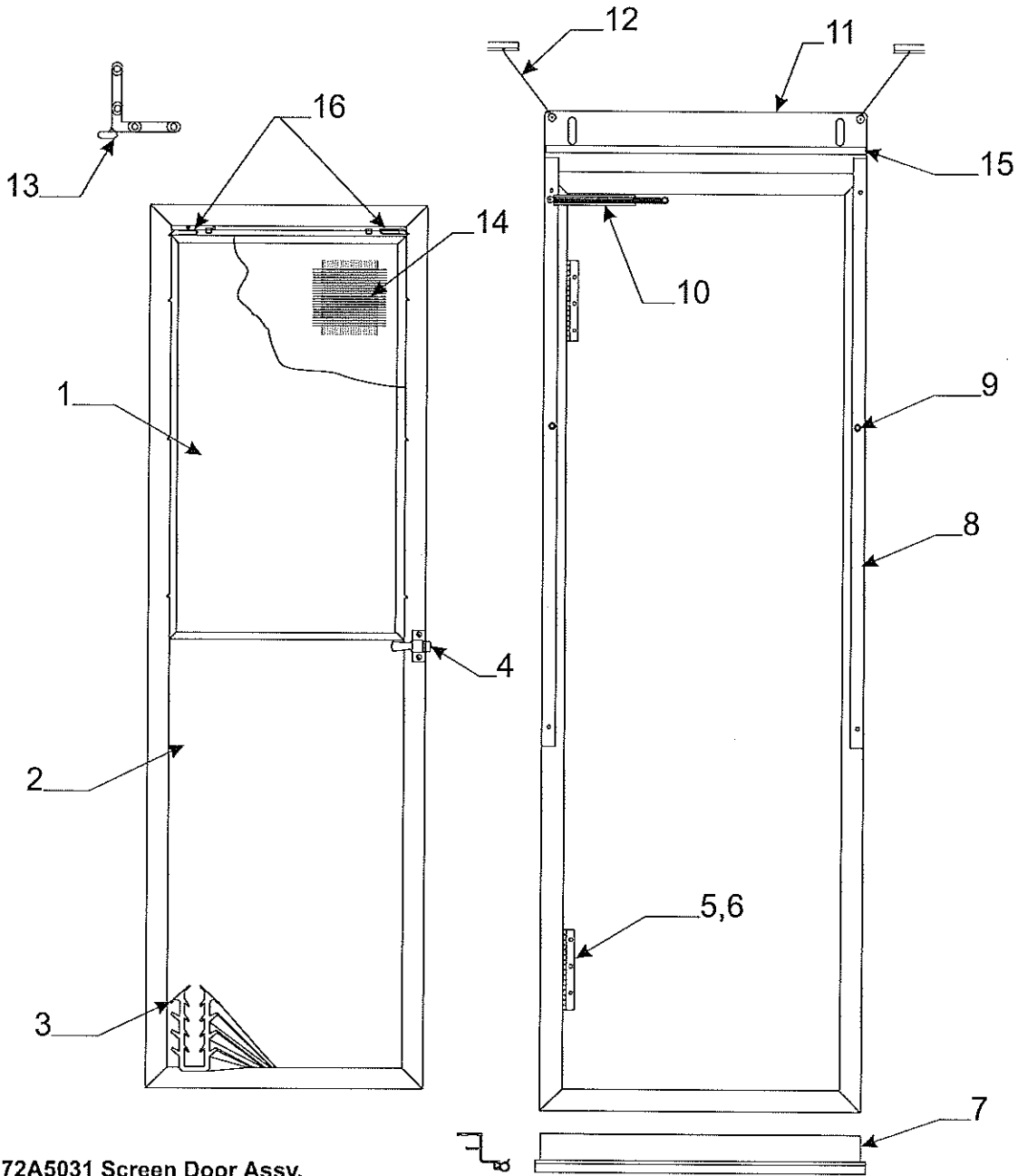


Flat Rate	Glide-out Tent Bow Code	Part #	Description
.10	1	4756C2071	glide-out tent bow 4131, 33, 35
.10		4773-2041	glide-out tent bow 4149 Avalon
.40	2	4757A8021	curtain track 4131, 33, 35
.40		4773-2051	curtain track 4149 Avalon
	3	4716-4451	bow mounting hardware pkg.
.05	4	4773B5131	glide-out tent support (ALL)
.20	5	8470-1728	black pin m10
.10	6	4734-6708	snap spring
.10	7	4757-1351	tent support tip w/screw



Flat Rate	Tent Support Components Code	Part #	Description
.20	1	4757-4301	tent support clasp m10
.10	2	4734-6708	spring assy.
.10	3	4734A6708	spring assy.
.10	4	4752A0561	tube closure "black" m2

<b>Tent Support Assemblies (Complete)</b> Flat Rate .10 per Tent Support
<b>Front Beds (All Models)</b> 4772B6021
<b>Rear Beds (All Models except 4135 Saratoga)</b> 4772B6021
<b>Rear Bed - 4135 Saratoga</b> 4773-7651



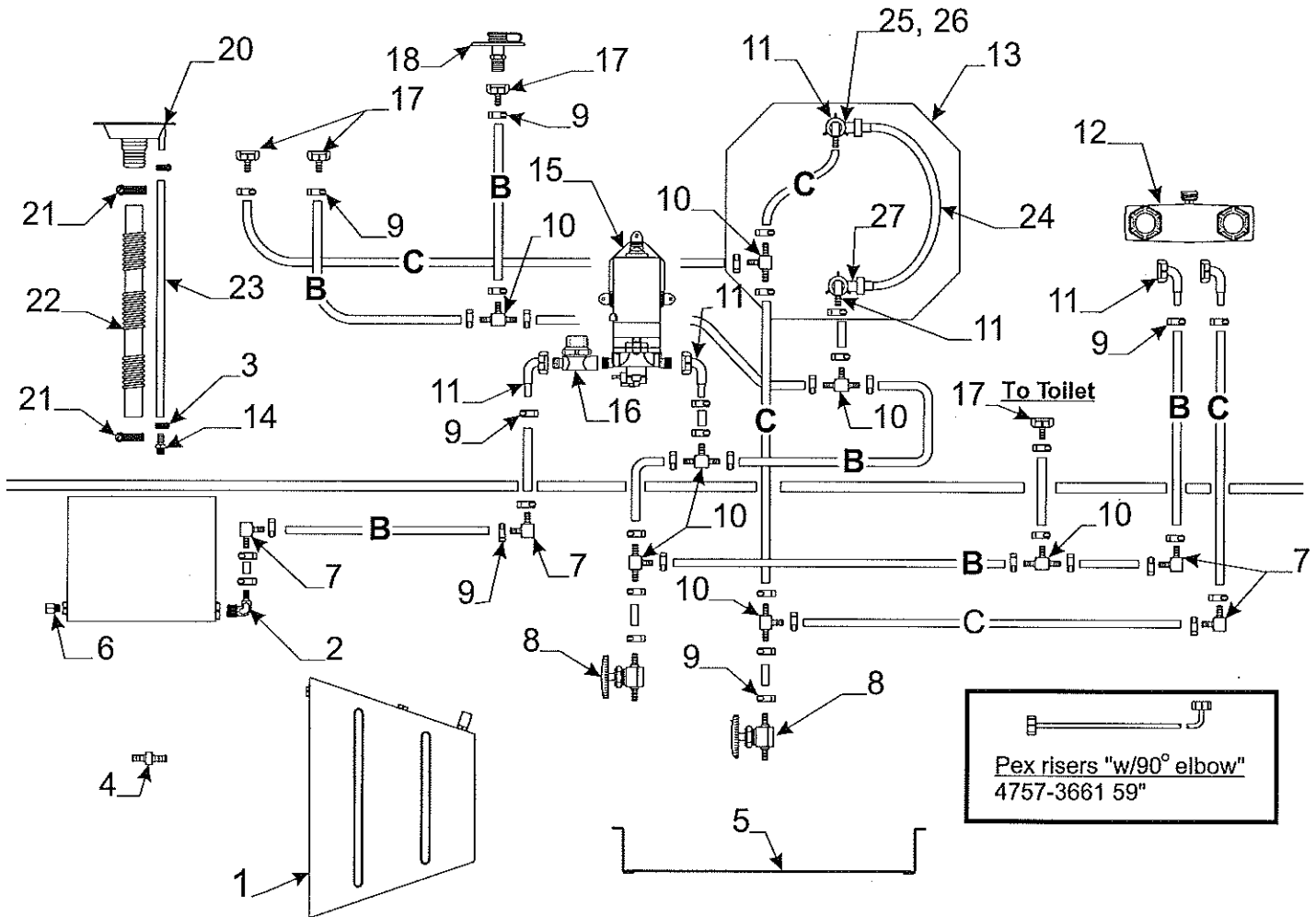
**4772A5031 Screen Door Assy.**

.30 Flat Rate Screen Door Complete

Note: parts marked w/\* asterisk are not included w/screen door

Flat Rate	Screen Door Components	Flat Rate	Screen Door Components				
Code	Part #	Description	Code	Part #	Description		
.10	1	4716E3401	top sliding window pane	.05	9	4730A3548	stud w/screw x2
.40	2	4772-0361	stationary window pane	.20	10	4731A8201	spring package
.15	3	4060000086F	rubber seal (sold/foot)	.50	11	4773-0611	top bracket
		Note: around perimeter of window pane		.50		4773-063	top bracket hinge
.15	4	*4742-9671	door latch assembly	.15	12	4772A5181	cable assy. m2
.15	5	4720C3601	hinge x2	.50	13	4710-3791	corner brace hinge m2
	6	1203-8641	rivet m25		14	4716-1381	screened stationary pane
.25	7	*4747A5621	screen door support	.75		4716-1111	screening 36" x 18 1/2"
		*4060000399F	rubber seal (sold/foot)	.10	15	4060000023P	d-seal "white" (5' pkg.)
.20	8	4754-3811	vel-stick (pkg. of 2)	.50	16	4716-3811	window lock pkg. rt./lt.





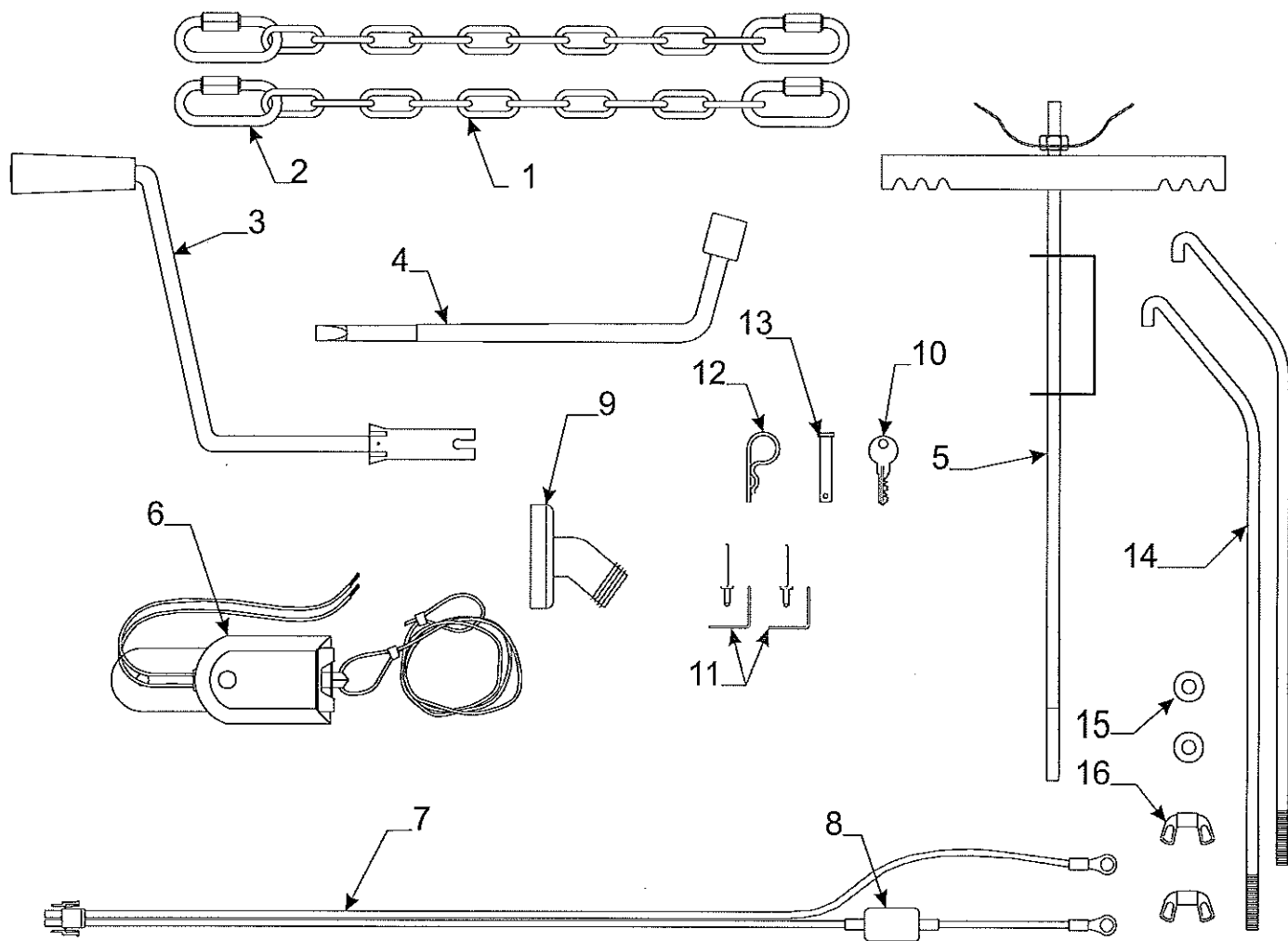
**B** 4060050006P 3/8" I.D. Pex tubing "cold" (20' pc. pkg.)  
 4066550013P 1/2" I.D. Pex tubing "cold" (20' pc. pkg.)

4714-038 3/8" I.D. High pressure hose (sold/foot)

**C** 4060050007P 3/8" I.D. Pex tubing "hot" (20' pc. pkg.)  
 4066550014P 1/2" I.D. pex tubing "hot" (20' pc. pkg.)

Flat Rate	Water System & Related Parts		FR			Description
	Code	Part #		Code	Part #	
1.50	1	4772B8551	.50	12	4741B2071	water tank 4131, 4133 shower diverter
1.50		4757B0471	*	13	4750-3421	water tank 4132, 4149 water heater 4131,32,33,35
1.50		4773-3531	*		4765-1181	water tank 4135 Saratoga DSI water heater 4149
.25	2	4741C2371	.15	14	4732B4561	3/8" X 1/2" elbow "plastic" hose adapter
.25		4741A2378	.50	15	4741F5571	1/2" X 1/2" elbow "plastic" electric water pump
	3	4731-3058	.25	16	4747A8311	adjustable hose clamp 3/8" water filter
	4	4755-4821	.20	17	4741A9561	3/8" brass barbed union m10 3/8" straight swivel adapter
.20	5	4758-5381	.20		4765-2321	tank hanger x2 (all) 1/2" straight swivel adapter
.15	6	1218-7001	.30	18	4732F1521	plug city fill
.25	7	4741C2391	.20	19	4757-3631	3/8" X 3/8" brass elbow m2 brass adapter 3/8" barb
.25		4765-2341	.30	20	4731D1711	1/2" X 1/2" brass elbow fill spout
.20	8	4741E2361		21	4715-4501	3/8" brass line drain "Pex" adjustable hose clamp
.20		4765-2311	.35	22	4731H1081	1/2" brass line drain "Pex" water fill hose (3' pc.)
.25	9	4741A2751	.20	23	4060050003F	3/8" ss clamp m100 1/2" h.p. hose (sold/ft.)
.25		4765-2351		24	4767-1381	1/2" ss clamp m100 nylon bypass hose 8"
25	10	4741C2381		25	4767-1371	3/8" brass tee "Pex" m10 1/2" MPT brass tee
25		4765-2331		26	4767-1391	1/2" brass tee "Pex" brass check valve
.20	11	4741B9061		27	4767-1401	3/8" copper swivel elbow 3 way MPT shut off valve
.20		4765-2361				1/2" copper swivel elbow

\* Warranted By Vendor

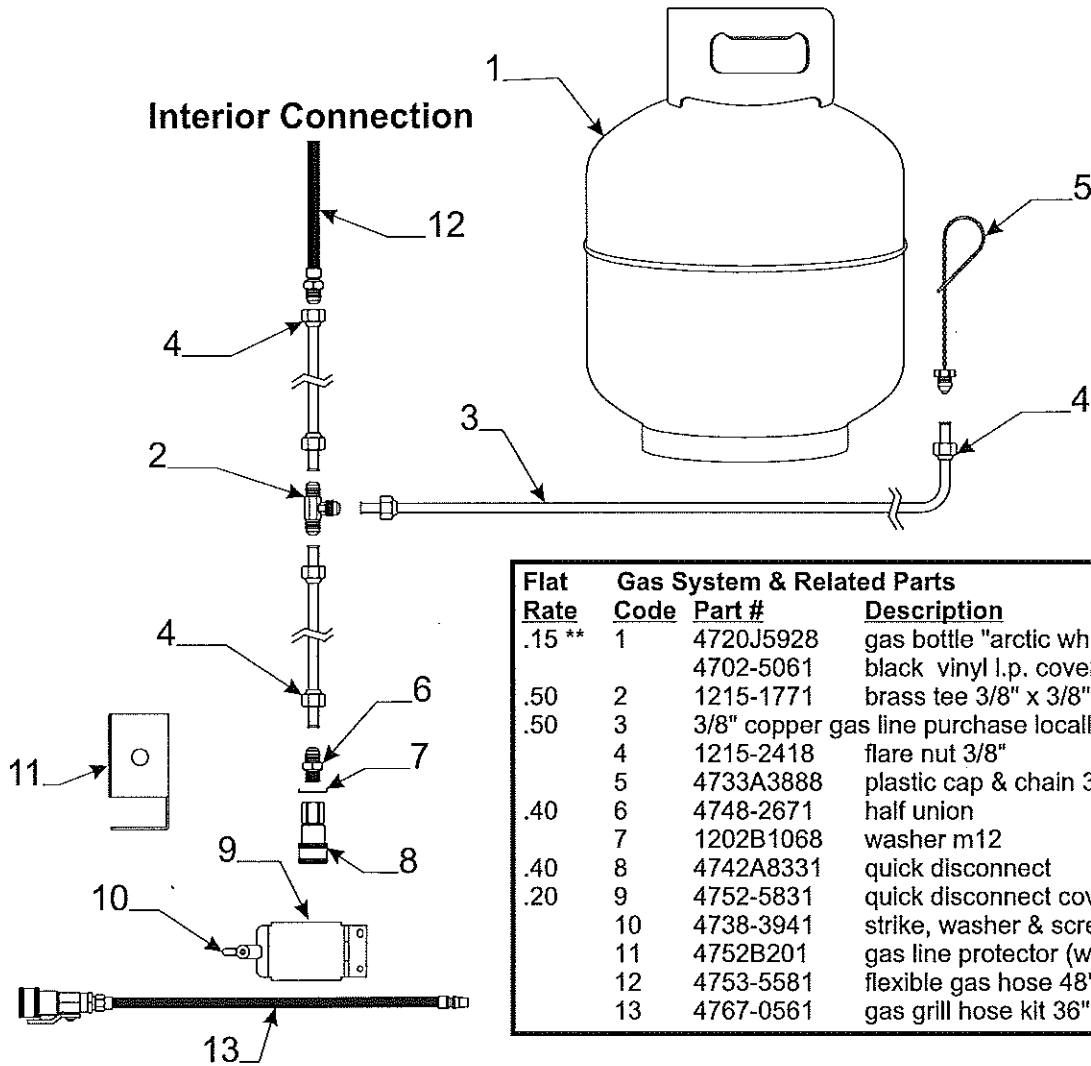


4773-4501 Parts Package 4135 Saratoga  
 4772C6141 Parts Package 4131, 4132, 4133  
 4773-6531 Parts Package 4149 Avalon

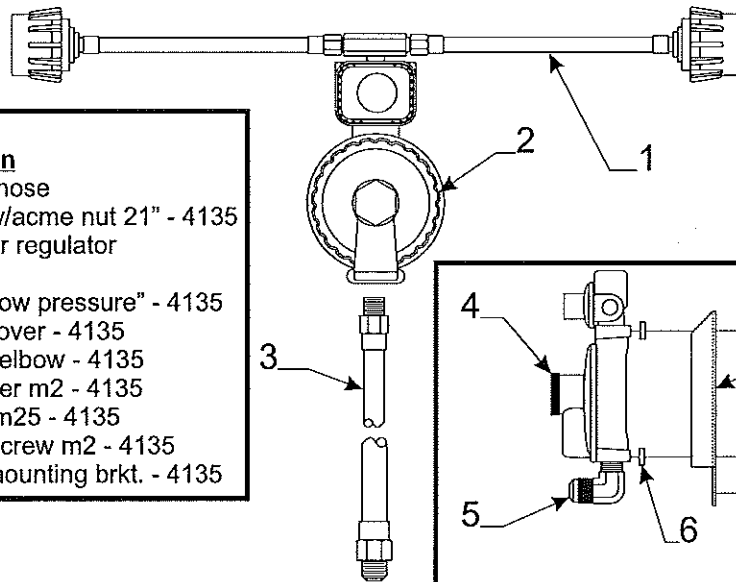
Parts Package Component Parts		
Code	Part #	Description
1	4757-3901	29" tow chain w/quick links m2
2	4757-3891	quick link (sold/signally)
3	4747G4141	crank handle
4	4749A1861	lug nut wrench
5	4772B9521	gas bottle hold down kit
6	4746-0401	breakaway switch
7	4749B5531	battery harness w/15 amp breaker m2
	4768-6291	battery harness w/40 amp breaker
8	4751-4811	15 amp circuit breaker
	4759-0081	40 amp circuit breaker
9	4737-9138	drain adapter
10	4730B3211	key m10 # 8025 (gold plated)
	4716-7511	outside shower key m2 #CH751
11	4753E6781	battery angle pkg.
12	4732A4791	safety pin m10
13	4757-4491	hitch pin m5
14	4733G6281	gas bottle mounting brkt. Pkg. - 4135
	Note: pkg. includes (2) wing nuts, washers	
15	1202B0468	washer x2 m10 - 4135
16	1201-6258	wing nut x2 - 4135

**\*\* Serial Number Of Gas Bottle Must Be Supplied When Submitting Warranty**

**Interior Connection**

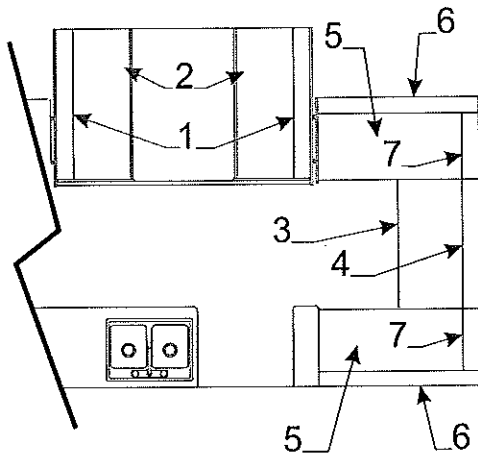


Flat Rate	Code	Part #	Description
.15 **	1	4720J5928	gas bottle "arctic white"
		4702-5061	black vinyl l.p. cover
.50	2	1215-1771	brass tee 3/8" x 3/8" x 3/8"
.50	3	3/8" copper gas line	purchase locally
	4	1215-2418	flare nut 3/8"
	5	4733A3888	plastic cap & chain 3/8"
.40	6	4748-2671	half union
	7	1202B1068	washer m12
.40	8	4742A8331	quick disconnect
.20	9	4752-5831	quick disconnect cover & hinge
	10	4738-3941	strike, washer & screw pkg.
	11	4752B201	gas line protector (welded to frame)
	12	4753-5581	flexible gas hose 48"
	13	4767-0561	gas grill hose kit 36"



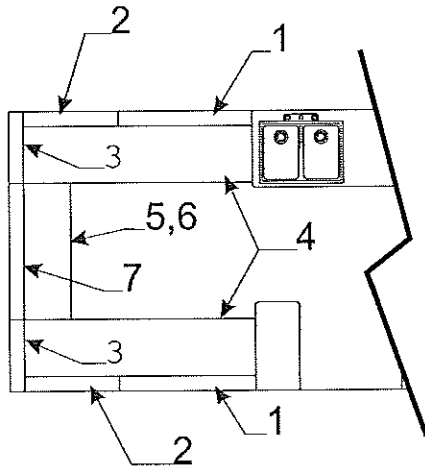
Flat Rate	Code	Part #	Description
.45	1	4761-1921	12" lp gas hose
		4733D3991	gas hose w/acme nut 21" - 4135
	2	4701-2111	changeover regulator
	3	4737-8871	gas hose
.45	4	4755A0401	regulator "low pressure" - 4135
		4734D3781	regulator cover - 4135
	5	4755-0421	1/2" x 3/8" elbow - 4135
	6	0322A3301	brass spacer m2 - 4135
	7	1203E8961	steel rivet m25 - 4135
	8	4759-0441	mounting screw m2 - 4135
	9	4741F9431	regulator mounting brkt. - 4135

**Flat Rate .10 Assembly - .25 Cover**



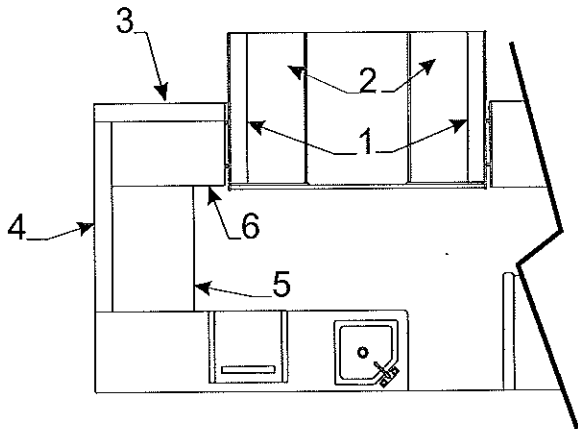
Flat Rate	Code	Part #	Description
.10	1	4755B7521	backrest assy. 42 1/4" x 15 5/8"
.25		4714B7521	backrest cover
.10	2	4755B7511	cushion assy. 42 1/4" x 19 3/8"
.25		4714B7511	cushion cover
.10	3	4759G5771	cushion assy. 41 3/8" X 2"
.25		4713G5771	cushion cover
.10	4	4773C5061	backrest assy. 45 3/8" x 13 1/2"
.25		4715C5061	backrest cover
.10	5	4773C5041	cushion assy. 35" x 23 1/4"
.25		4715C5041	cushion cover
.10	6	4773C5071	backrest assy. 41 3/8" x 17 3/4"
.25		4715C5071	backrest cover
.10	7	4773-6071	backrest assy. 16" x 13 1/2"
.25		4715-6071	backrest cover

**Flat Rate .10 Assembly - .25 Cover**

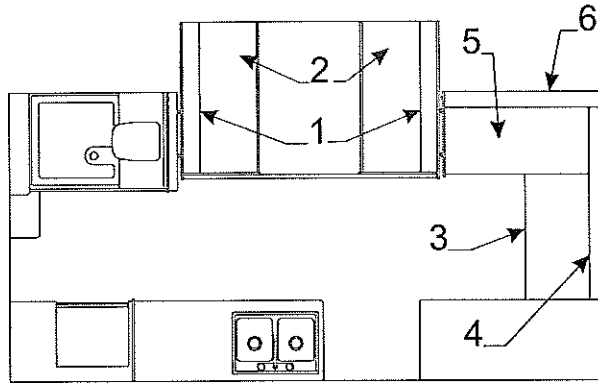


Flat Rate	Code	Part #	Description
.10	1	4772B5261	backrest assy. 40" x 13 1/2"
.25		4715B5261	backrest cover
.10	2	4772B5271	backrest assy. 29" x 13 1/2"
.25		4715B5271	backrest cover
.10	3	4772B5281	backrest assy. 20 1/2" x 13 1/2"
.25		4715B5281	backrest cover
.10	4	4772B5291	cushion assy. 70" x 20 1/2"
.25		4715B5291	cushion cover
.10	5	4772B5301	cushion assy. 40" x 18"
.25		4715B5301	cushion cover
.25	6	4758C6151	cushion leg x2
.10	7	4772C5251	backrest assy. 39" x 18 1/2"
.25		4715C5251	backrest cover

**Flat Rate .10 Assembly - .25 Cover**

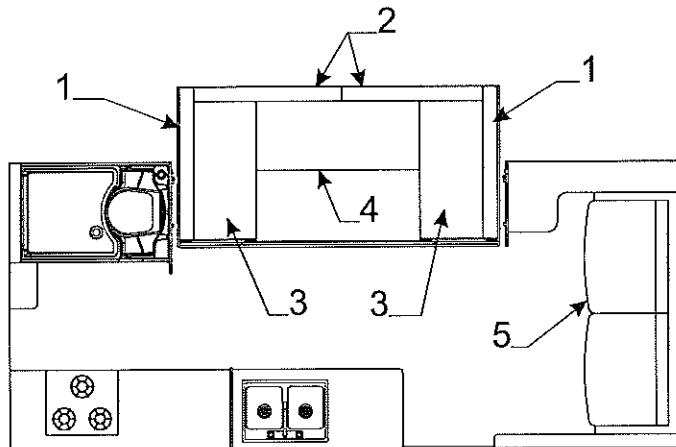


Flat Rate	Code	Part #	Description
.10	1	4755B7521	backrest assy. 42 1/4" x 15 5/8"
.25		4714B7521	backrest cover
.10	2	4755B7511	cushion assy. 42 1/4" x 19 3/8"
.25		4714B7511	cushion cover
.10	3	4773-7401	backrest assy. 25 3/4" x 13 1/2"
.25		4715-7401	backrest cover
.10	4	4773-7391	backrest assy. 59" x 13 1/2"
.25		4715-7391	backrest cover
.10	5	4773-7381	cushion assy. 37" x 22"
.25		4715-7381	cushion cover
.10	6	4773-7371	cushion assy. 29 3/8" x 22"
.25		4715-7371	cushion cover



**Flat Rate .10 Assembly - .25 Cover**

Flat Rate	Cushion & Backrest Code	Part #	Description
.10	1	4755B7521	backrest assy. 42 1/4" x 15 5/8"
.25		4714B7521	backrest cover
.10	2	4755B7511	cushion assy. 42 1/4" x 19 3/8"
.25		4714B7511	cushion cover
.10	3	4773C5051	cushion assy. 35" x 23"
.25		4713C5051	cushion cover
.10	4	4757-7431	backrest assy. 54 1/2" x 13 1/2"
.25		4715-7431	backrest cover
.10	5	4757-7441	cushion assy. 45 3/8" x 23 1/4"
.25		4713-7441	cushion cover
.10	6	4773C5061	backrest assy. 45 3/8" x 13 1/2"
.25		4715C5061	backrest cover



Flat Rate	Cushion & Backrest Code	Part #	Description
.10	1	4773-2251	backrest assy. 46 1/2" x 10 3/4"
.25		4715-2251	backrest cover
.10	2	4773-2221	backrest assy. 39" x 10 3/4"
.25		4715-2221	backrest cover
.10	3	4773-2201	cushion assy. 43 1/4" x 21 3/4"
.25		4715-2201	cushion cover
.10	4	4773-2231	cushion assy. 46 3/4" x 21 3/4"
.25		4715-2231	cushion cover
		4773-2341	cushion leg x2
		4752-0551	leg cap m2
*	5	4761B5881	jackknife sofa
		4713B588B1	sofa backrest recover
		4713B588C1	sofa cushion recover

\*Prior authorization from factory needed.

**Drape Package (Less Valance Pkg.)**

**Note: Drape Pkg. Includes Privacy Curtains x4**

<b>Model</b>	<b>Drape Pkg.</b>	<b># Of Panels</b>	<b>Flat Rate</b>
4132 Sequoia	4772D5851	9	.30
Arcadia, Niagara	4772D6791	14	.30
4135 Saratoga	4773-7591	11	.30
4149 Avalon	4773-6511	12	.30

**Drape Tab C-Shape** m60 - 4750-2891 Flat Rate - .05

**Drape Tie Package** (Qty. 1) Flat Rate - .05  
4767A4701

**Valance Package** .25 Flat Rate

4773B5671 - 4131 Arcadia, 4132 Sequoia, 4133 Niagara  
4773-4351 - 4135 Saratoga  
4773-2181 - 4149 Avalon  
8166500030P - Valance C-shaped glide tape (3yd. pkg.)

**Privacy Curtain Pkg. (Set Of 2 Panels)**

.15 4715C0721 - Privacy Curtain pkg.

**Single Drape Panel W/Safety Straps**

.15 4715C0211 Drape pnl. 21 1/2" x 42"  
.15 4715C0281 Drape pnl. 28" x 42"  
.15 4715C0461 Drape pnl. 46" x 42"

**Shower Curtain**

.15 4800A5741 - shower curtain pkg.  
4739-1191 - curtain carrier & hook m6  
4739-0671 - i-beam track stop  
4773A0821 - i-beam track  
4739-1201 - i-beam mounting brkt. m12

**Shower Stall Valance** - 4772F2081 (All)

**Glide-Out Curtain & Valance**

4713-6791 - 4131 4133, 4135  
4713-6511 - 4149 Avalon  
Flat Rate - .20

**Flat Rate - Mattress Assy. .10/Cover .50**

**Front Mattress Assembly & Covers (All Models)**

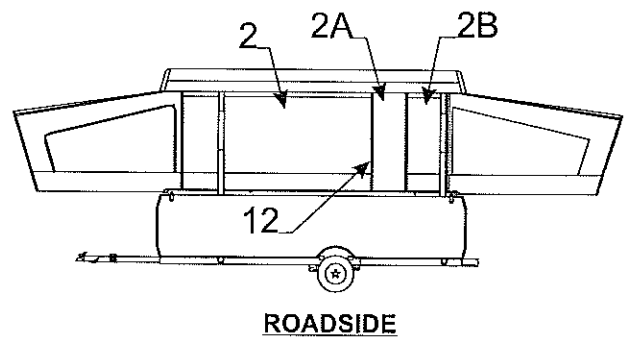
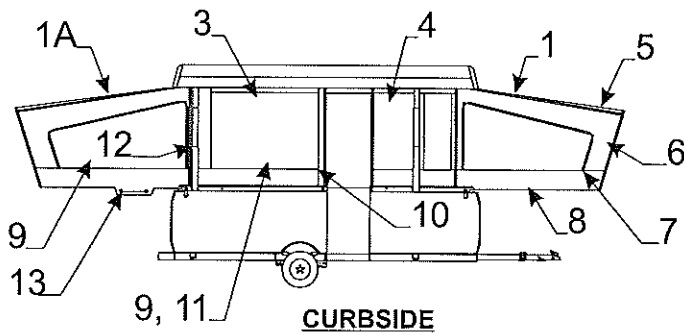
Front Mattress Assy. - 4754L5341 - 77" x 70"  
Front Mattress Cover. - 4716L5341

**Rear Mattress Assembly & Covers (All except 4135 Saratoga)**

Rear Mattress Assy. - 4754L5341 - 77" x 70"  
Rear Mattress Cover. - 4716L5341

**Rear Mattress Assembly & Covers (4135 Saratoga only)**

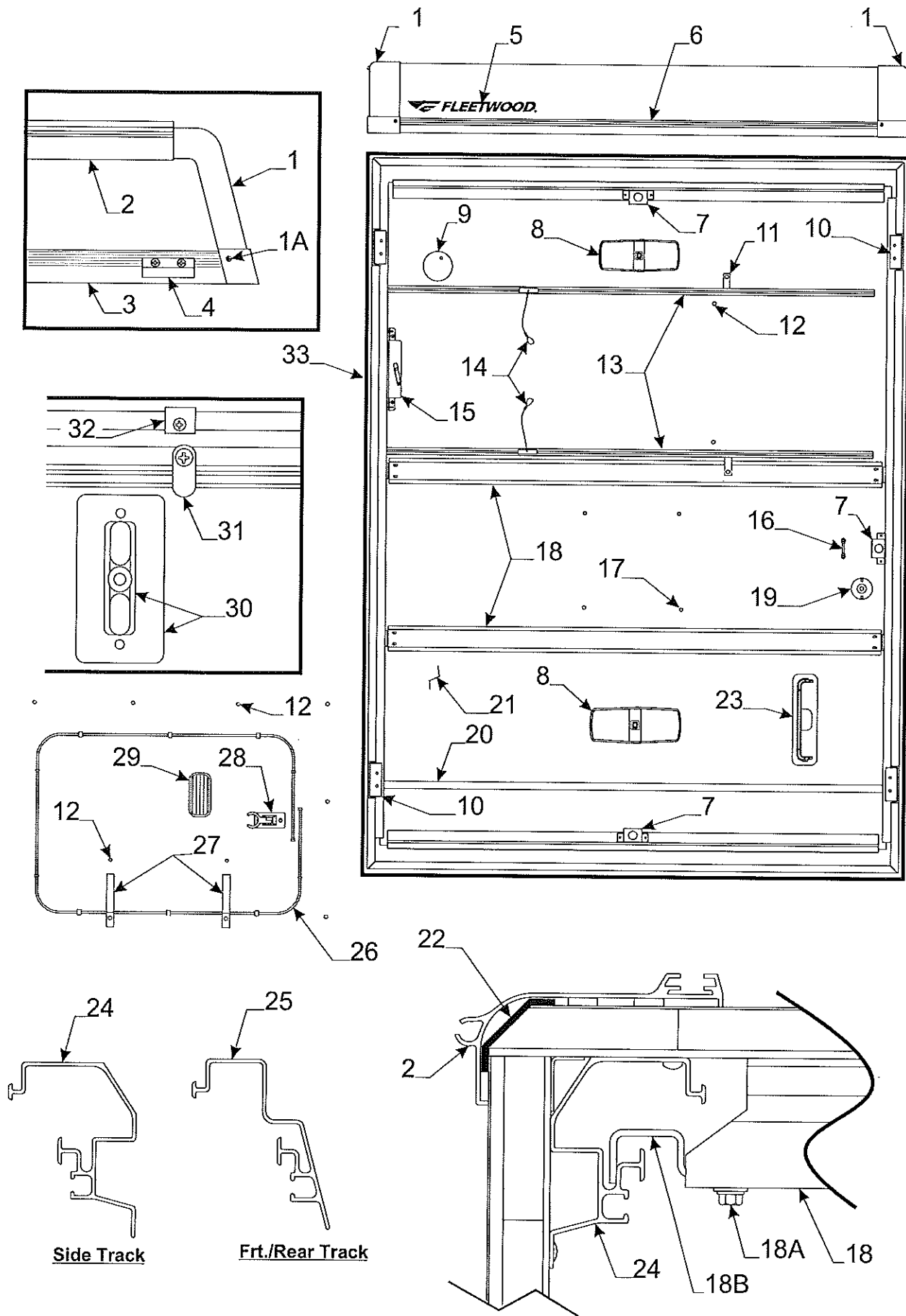
Rear Mattress Assy. - 4773-7361 - 77" x 64"  
Rear Mattress Cover. - 4716-7361



**CURBSIDE**

**ROADSIDE**

<b>Sunbrella Tenting &amp; Components</b>			
<b>Flat Rate</b>	<b>Code</b>	<b>Part #</b>	<b>Description</b>
.50	1	4772C5901	front boot - All Models
.50	1A	4772C5901	rear boot - All Models except 4135 Saratoga
.50		4773-7601	rear boot - 4135 Saratoga only
.20	2	4772C5871	large window - 4132 Sequoia
.40		4772C6761	large window "w/glide-out" - 4131 Arcadia, 4133 Niagara
.40		4773-7631	large window "w/glide-out" - 4135 Saratoga
.40		4773-6751	large window "w/glide-out" - 4149 Avalon
.15	2A	4773A5991	vent cover tent section - 4131, 4133, 4149
.15	2B	4773A5981	rsr tent section - 4131 Arcadia, 4133 Niagara
.15		4773-6781	rsr tent section - 4149 Avalon
.20	3	4772C6781	small window - 4131, 4132, 4133
.20		4773-7621	small window - 4135 Saratoga
.20		4773-6761	small window - 4149 Avalon
.15	4	4772C6771	door seal - 4131, 4132, 4133
.15		4773-7661	rear door seal - 4135 Saratoga
.15		4773-7611	front door seal - 4135 Saratoga
.15		4773A5991	vent cover tent section - 4135 Saratoga
.15		4773-6771	door seal - 4149 Avalon
	5	8118501430P	top vinyl pkg. (85" x 3 yards)
	6	4716C0851	sunbrella patch package (12" x 14")
	7	6650500131F	zipper (sold/yard) used around window
		1225A4461	zipper pull m5
	8	8118001441P	bottom vinyl facing pkg. "burgundy" (3 yd. x 80")
	9	4714E1611	screen package (84" x 3 yards)
		4714A0361	screen package (84" x 13 yards)
	10	4350000009P	1" velcro hook (10' pc. Pkg.)
	11	4716-2401	clear window vinyl (41" x 2 yards)
	12	1225G3928	42 1/2" side zipper pin half
		1225G3918	42 1/2" side zipper slider half
.50	13	4060000245CP	shock cord (150' package)
.50		4714C6021	shock cord & hooks m2 (two 14' lengths)
.15		4724A2011	shock cord termination (plastic hook) m10
	14	4060000024F	arrowhead seal (sold/foot)
.30	15	4772-5921	extension harness
.50	16	4743-1588	k-kote seam sealer
	17	4728-5641	tent retainer pkg.
.30	18	4710-1001	vinyl daubing "white" m2
.30		4710-1011	vinyl daubing "grey"
.30		4713-0481	vinyl daubing "burgundy"





4772C6741 Top Assembly 4131 Arcadia, 4133 Niagara  
 4773-6261 Top Assembly 4132 Sequoia  
 4767-7291 Top Assembly 4149 Avalon  
 4773-7331 Top Assembly 4135 Saratoga

3.00 Top Replacement | 1.50 For A/C | 1.00 For Crossbars | .50 For Disposal

FR	Code	Part #	Description
.50	1	4713-9011	plastic corner cap csf/rsr (1 cap per pkg.)
.50		4713-9001	plastic corner cap rsf/csr (1 cap per pkg.)
		4356500043P	butyl tape 1" x 3/16" (20' pc.)
		4350000022F	foam tape 1/2" wide x 1/4" thick (sold/foot)
		4759-1401	flat head screw 3/4" "stainless steel" x2
	1A	4767-9001	flat head tek screw 3/4" "white" x2
	2	4767A948	canopy/rack track extrusion 4131, 4132, 4133
		4768A034	canopy/rack track extrusion 4149 Avalon
		4767A909	canopy/rack track extrusion 4135 Saratoga
	3	4767A945	cs side seal extrusion 4131, 4132, 4133
		4767A961	rs side seal extrusion 4131, 4132, 4133
		4768A028	cs side seal extrusion 4149 Avalon
		4768A029	rs side seal extrusion 4149 Avalon
		4773A398	cs side seal extrusion 4135 Saratoga
		4767A913	rs side seal extrusion 4135 Saratoga
.15	4	4750A9581	top strike m2
		4744C2461	torx head screw "painted" m2
		1201B6958	nut (x2 per strike)
		4702-2961	strike foam gasket m4
.25	5	4761-1958	Fleetwood logo
	6	4767-9141	end seal extrusion frt./rear (all)
	7	4767A9081	tent support bracket x2
		4733F4136	screw
.15	8	4744E4741	double light
		4758-1361	dome light lens
		1103B1028	screw x4
.15	9	4767A4641	carbon monoxide detector
	10	4767-7001	lift pocket x4
		1201B6378	lock nut 1/4-20
.15	11	4723A5061	strap x2
	12	4730A3548	stud w/screw x2
.30	13	4733H47181	screen door track x2
		4744B4611	expansion rivet m25
.15	14	4772A5181	screen door cable M2
.20	15	4749C5571	screen door bracket
		4747-2558	expansion rivet m25
		4749-2138	snap button m2
		1203-8631	rivet m25
	16	4733B4511	steel loop m2
		4350000125P	3" x 4" flectred white tape
	17	1203-9258	plastic accordion rivet m25
	18	4767-9161	a/c brace
		4060300081P	a/c brace vinyl insert molding (8' pc. pkg.)
	18A	4738A0898	hex bolt
		1202E0408	washer
	18B	4800-6861	a/c brace mounting bracket x2
	19	4756A8291	aux. light jack w/rivets
.20	20	4350400004F	vinyl seam tape (sold/foot)
	21	6009435020P	ceiling panel 4' x 8' sheet
	22	4350000047	1/8" x 2 1/2" eterna-bond tape (sold/roll)
	23	4758A4571	wardrobe hanger "plastic"
	24	4768-032	side tent/drape track (must cut to size)
	25	4767-910	frt./rear tent/drape track (all)
.10	26	4755B5231	shower curtain i-beam track
		4739-1201	i-beam mounting brkt. m12
.15	27	4772-6631	curtain strap
.15	28	4767-0111	shower head brkt.
	29	4759-1721	shower light
.15	30	4743A2501	screen door latch & plate assy. (2 per pkg.)
.20	31	4728A5641	tent retaining pkg.
.05	32	4750-2891	drape tab c-shape m60
.50	33	4060100399P	rubber top seal "sides" (40' package)
.50		4060100398P	rubber top seal "frt./ rear" (16' package)