



**2007**

**Evolution Series**

**Repair Parts Catalog**

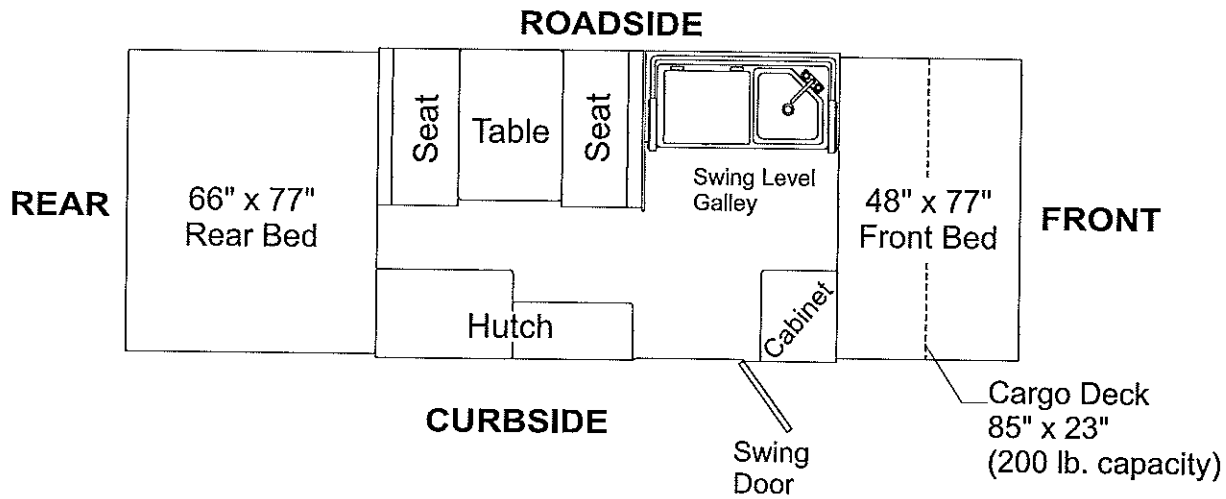
4147 E1 - 9 1/2'

4144 E2 - 11'

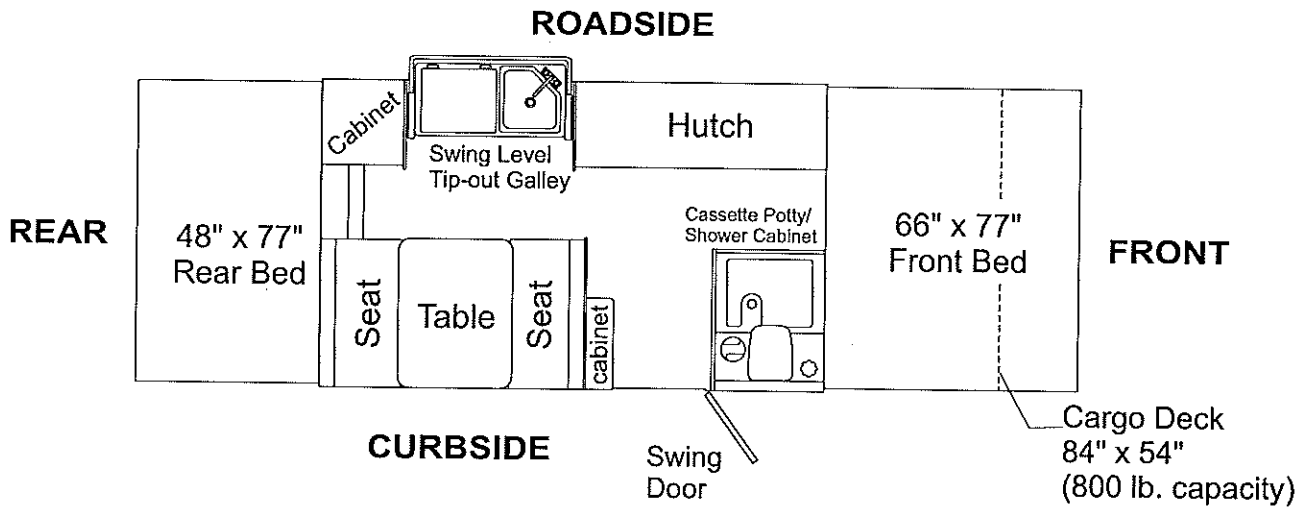
4137 E3 - 12'

# 2007 Evolution Series

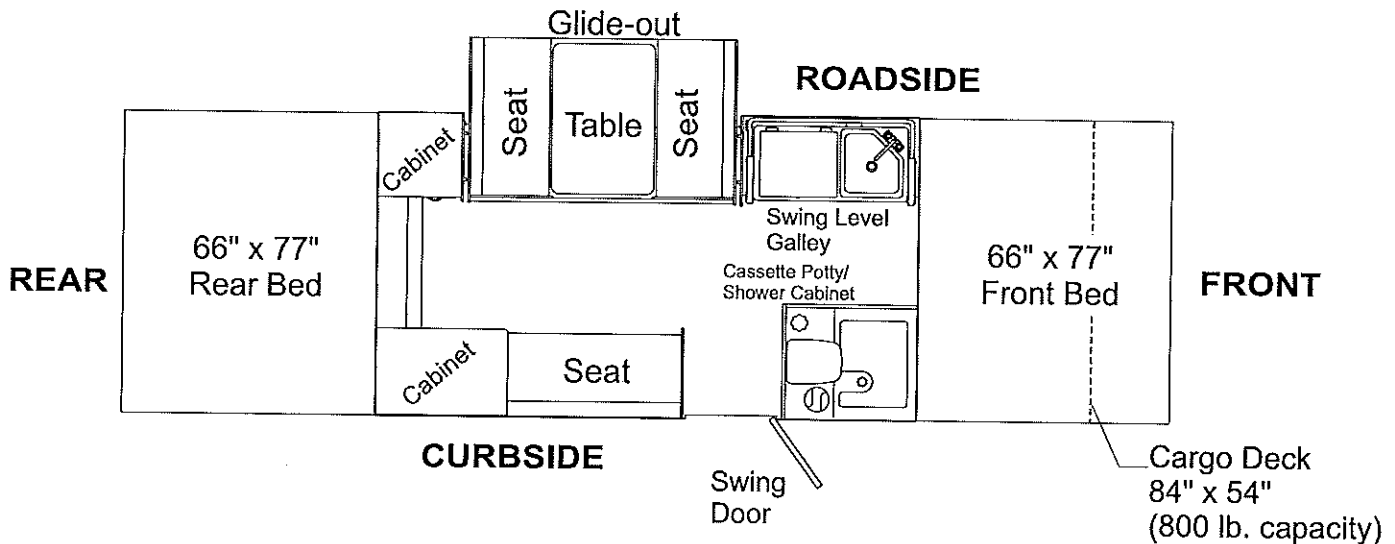
## 4147 E1 9 1/2'



## 4144 E2 11'



## 4137 E3 12'

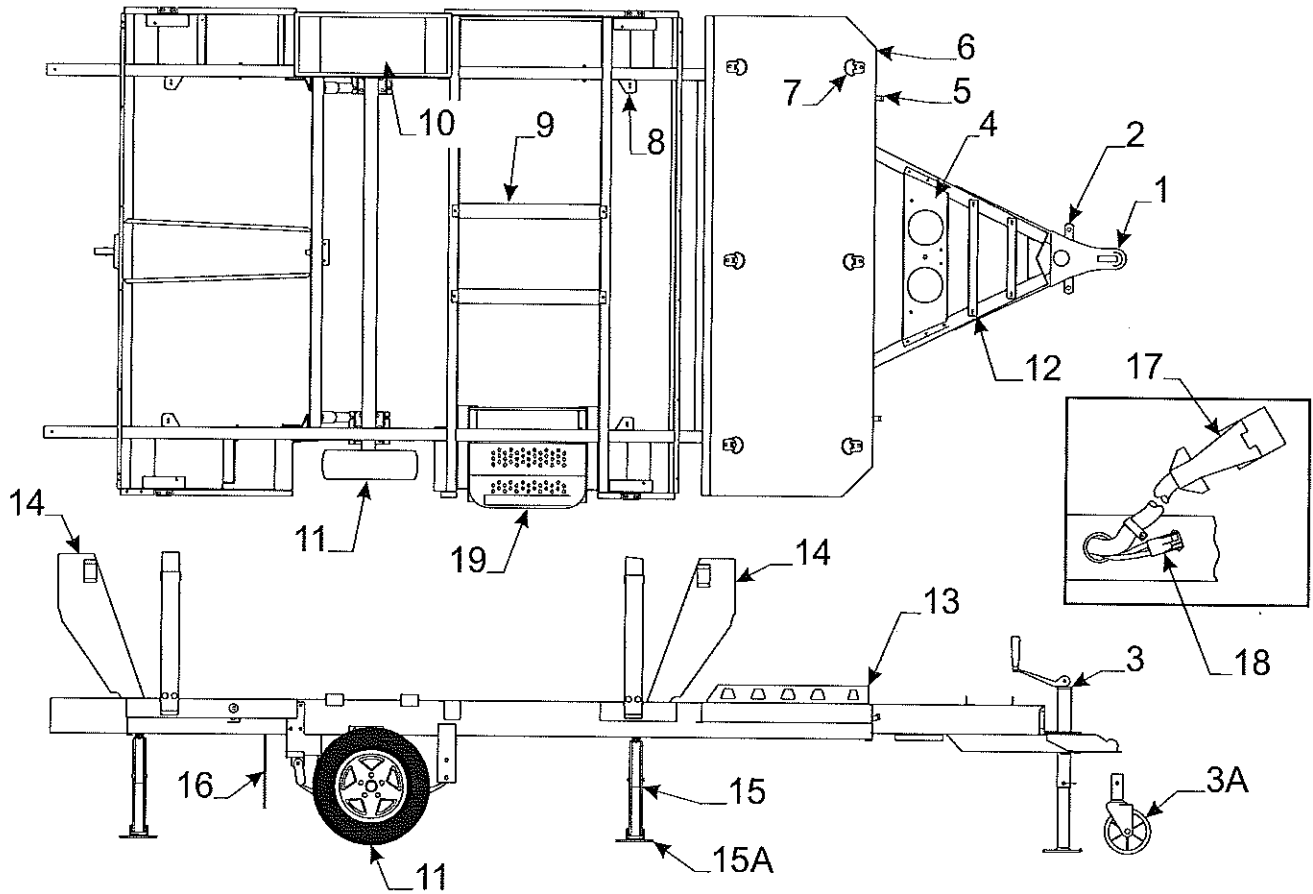


## TABLE OF CONTENTS

<u>DESCRIPTION</u>	<u>PAGE</u>
Access door key .....	26
Access door assembly & related parts .....	13
Auto extension .....	7
Axle assemblies & related parts .....	6
Backrest assemblies & covers .....	29
Bed assemblies.....	23
Bed extensions & related parts .....	23
Body panel right rear "curbside" .....	12
Body panel left side "roadside" .....	9
Body panel left side glide-out "roadside" .....	10
Body panel front & rear .....	8
Body panel right front "curbside".....	13
Bumper & related parts .....	8
Cabinet assy. E1 (csf corner cabinet) .....	18
Cabinet assy. E2, E3 (csr seat/cabinet) .....	17
Cabinet assy. "rsr galley cab." E2 .....	16
Cabinet/Hutch assy. csr E1 .....	15
Cabinet/Hutch assy. rs E2 .....	19
Cabinet assy. rsr corner E3 .....	18
Carbon monoxide detector .....	33
Caulking .....	7
Converter & related parts .....	21
Coupler assembly .....	2, 3
Crank-up/crank-down components .....	4
Crank handle .....	26
Cushion assemblies & covers .....	29
Cargo deck gates/rails .....	2, 3
Cargo tie down anchors .....	2, 3
Deck platform .....	2, 3
Door bulkheads .....	12, 13
Drain assy./drain hose (used on sinks) .....	14
Drape packages & related parts .....	29
Drawer assy. and components E1 .....	18
Electric brakes & related parts .....	6
Faucet "galley" .....	16
Faucet "shower" .....	20
Faucet "outside faucet" .....	9
Fire extinguisher & components .....	19
Floor covering .....	2, 3
Frame assembly & related parts .....	2, 3
Furnace exhaust vent .....	9, 10
Furnace vent "interior" .....	16
Galley components E1, E2, E3 .....	16
Gas detector .....	21
Gas hose (gas bottle hook-up) .....	27
Gas hose (RVQ grill hook-up) .....	27
Gas bottle mounting brackets .....	26
Gas quick disconnect (outside gas hookup) .....	27
Gas bottle cover (black vinyl) .....	27
Gas bottle & related parts .....	27
Gate/Ramp (loading ramps/gates) E2, E3 .....	3
Glide-out components E3 .....	10, 11
Glide-out tent bow/support E3 .....	28
Grease cap (dust cap) .....	6
Hub assembly & related parts .....	6
Hutch assembly "curbside" E1 .....	17
Hutch assembly "roadside" E2 .....	19
Hutch/seat assy. "curbside" E3 .....	17
Lift assemblies & related parts .....	5
Lift trim & miter covers .....	12, 13
Lug wrench .....	26
Mattress assemblies & covers .....	29
Mud flaps .....	2, 3

<u>DESCRIPTION</u>	<u>PAGE</u>
Paint (spray & quart can) .....	7
Paneling & trim .....	21
Parts package & components .....	26
Pigtail (car end) .....	2, 3
Potty "cassette" E2, E3 .....	20
Power cord (converter) .....	21
Power lift components .....	31
Ramp/Gate (loading ramps/gates) E2, E3 .....	3
Receptacle (exterior) .....	12
Receptacle (interior) .....	21
Refrigerator vents .....	9, 10
Regulator & fittings .....	27
Safety chains .....	26
Screen door & related parts .....	25
Seat bench component parts E1, E2 .....	22
Shock kit .....	6
Shower curtain E2, E3 .....	29
Shower curtain rod E2, E3 .....	33
Shower stall w/potty components E2, E3 .....	20
Shower stall cover board E2, E3 .....	20
Sink & related parts .....	14
Spare tire cover (black vinyl) .....	2, 3
Spare tire mount & components .....	8
Speakers "interior" .....	17
Speakers "exterior" .....	12
Stabilizer assembly .....	2, 3
Stabilizer handle/lug wrench combo .....	26
Step (entry step) .....	2, 3
Stove components (galleys) .....	15
T.P. holder E2, E3 .....	20
Table assemblies & related parts .....	15
Taillights (rear body panel) .....	8
Tent support assemblies & related parts .....	28
Tenting & related parts (sunbrella) .....	30
Thermostat (Hydro Flame) .....	21
Thrust bearing .....	4
Tie backs (curtains) .....	29
Tip-out, glide-out tent bow/support E2, E3 .....	28
Tie down anchors .....	2, 3
Tire & rim .....	2, 3
Tire cover "black vinyl" .....	2, 3
Tongue jack & related parts .....	2, 3
Top assemblies & related parts .....	33
Water heater .....	24
Water faucet .....	16, 24
Water system & related parts .....	24
Wheel well .....	2, 3
Whiffletree & related parts .....	5
Zippers (tenting assemblies) .....	30

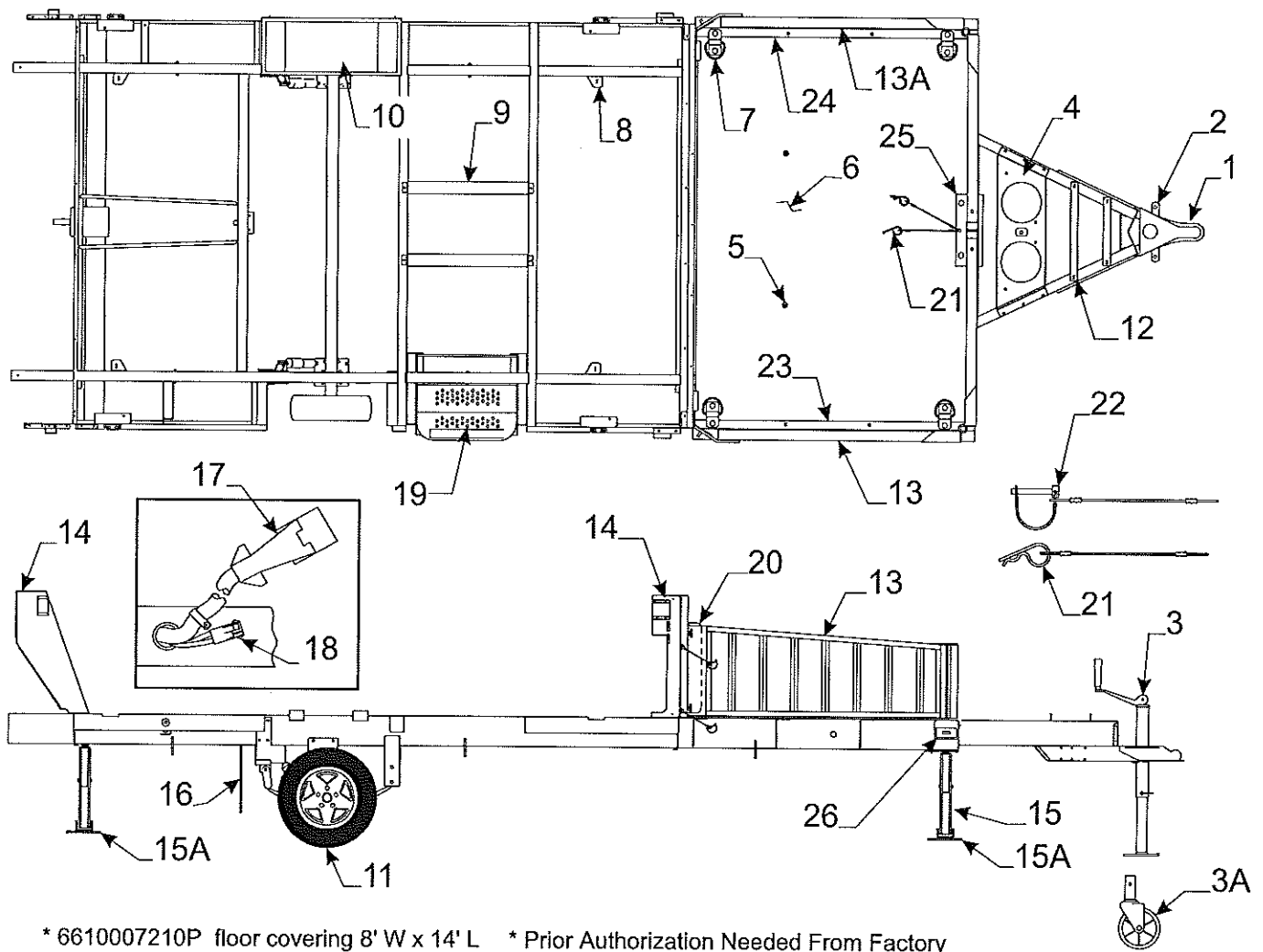
Axle/Brakes - Dexter .....	574/295-7800
Cassette Potty - Thetford .....	800/354-4135
Converter - World Friendship Co. ....	800/900-2468
Furnace - Hydro Flame #7916-11 .....	800/546-8759
Hand pump - Leisure Components.....	562/865-0401
Power Lift - Barker .....	888/367-6978
Refrigerator - Dometic .....	800/216-5115
Oven/Range - Atwood Greenbrier .....	800/646-8557
Stove/Grill - Vitco .....	877/825-8528
Tires - Kenda .....	800/225-4714
Water heater - Suburban #5031E .....	423/775-2131
Yakima bike rack - to obtain repair parts .	800/925-4621



\* 6610007210P floor covering 8' W x 14' L

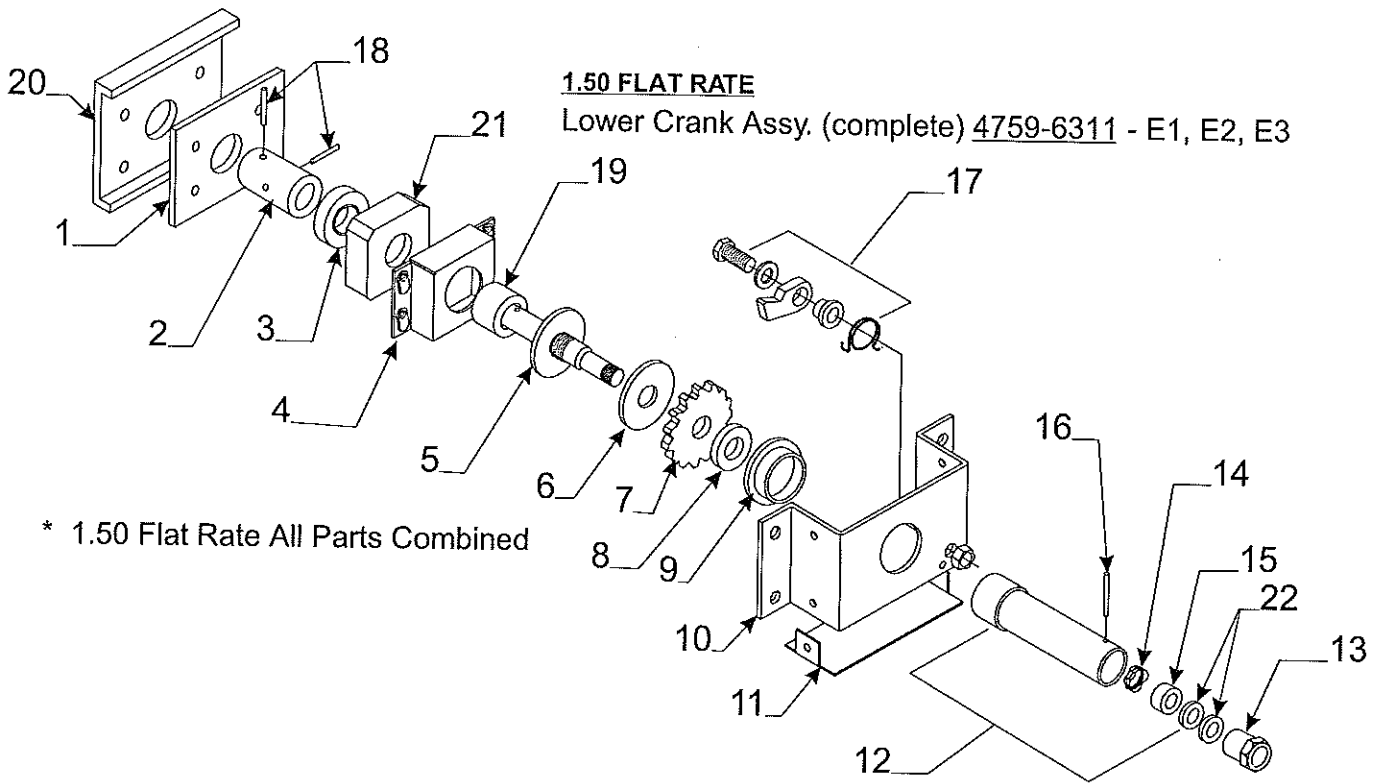
\* Prior Authorization Needed From Factory

Flat Rate	Code	Part #	Description	Flat Rate	Code	Part #	Description
1.50	1	4772-4231	coupler assembly 2"		12	4716A7151	frt./rear battery angle pkg.
.75	2	4720A3561	chain bar	.50	13	4713-0041	deck rail kit
.25	3	4800-1101	center mount tongue jack	2.00	14	4701-509	corner bulkhead csr/rsf
	3A	4773-0421	caster wheel	2.00		4701-508	corner bulkhead rsr/csf
.50	4	4701-2631	dual gas bottle tray	.25	15	4701A2491	stabilizer assembly
.10	5	4714-0391	bed leg pin pkg.			4766A053	tek screw (x4 per stabilizer)
1.00	6	4701B15661	deck			4761-2401	stabilizer crank handle
.10	7	4701-1911	tie down anchor		15A	4800-6771	sand shoe kit (pkg. of 4)
.75	8	4732E3671	adjustable pulley brkt. x4	.20	16	4713-0051	mud flap pkg. rt./lt.
.25		4715A5371	pulley & bearing m10		17	4716-5871	wire harness repair kit 8' pc.
		4720C1578	short pin m4			1201-8738	3/8" clamp
		1204B1081	cotter pin m10			1203C8721	steel rivet m25
	9	4758-5391	water tank hanger x2			4742-8108	1 1/4" snap bushing
2.00	10	4701-557	wheel well x2		18	4716A5001	12 volt power harness
.25	11	4701-2388	tire & rim 15" star mag	.15		4749B5531	12 volt wire harness m2
.25		4763-1508	spare tire & rim 15" wht.	.50	19	4701A5341	double step
		4701-5671	15" vinyl tire cover				



\* 6610007210P floor covering 8' W x 14' L \* Prior Authorization Needed From Factory

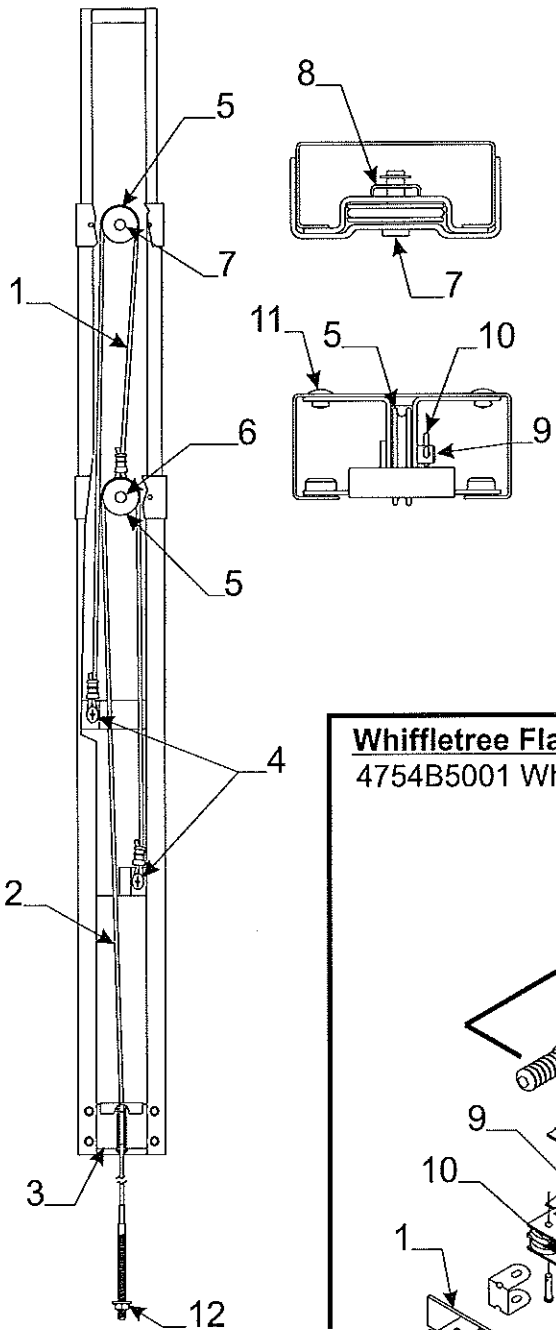
Flat Rate	Code	Part #	Description	Flat Rate	Code	Part #	Description
1.50	1	4702-1971	coupler assy. 2 5/16"	.25	15	4701A2491	stabilizer assembly
.75	2	4720A3561	chain bar			4766A053	tek screw (x4 per stabilizer)
.25	3	4800-1101	center mount tongue jack			4761-2401	stabilizer crank handle
	3A	4773-0421	caster wheel		15A	4800-6771	sand shoe kit (pkg. of 4)
.50	4	4701-2631	dual gas bottle tray	.20	16	4713-0051	mud flap pkg. rt./lt.
.10	5	4713-0341	bed leg pin pkg.		17	4716-5871	wire harness repair kit 8' pc.
1.00	6	4701A96961	deck platform			1201-8738	3/8" clamp
.10	7	4701-1571	tie down anchor x4			1203C8721	steel rivet m25
.75	8	4732E3671	adjustable pulley brkt. x4		18	4742-8108	1 1/4" snap bushing
.25		4715A5371	pulley & bearing m10	.15		4716A5001	12 volt power harness
		4720C1578	short pin m4	.50	19	4749B5531	12 volt wire harness m2
		1204B1081	cotter pin m10	.30	20	4701A5341	double step
2.00	9	4758-5391	water tank hanger x2	.30	21	4702-5241	corner angle assy. cs right
.25	10	4701-557	wheel well x2	.15		4702-5251	corner angle assy. rs left
.25	11	4701-2388	tire & rim 15" star mag.			4702-5701	rail pin & cable assy. x2
		4763-1508	spare tire & rim 15" wht.	.10	22	4758-9921	tek screw m12
		4701-5671	15" vinyl tire cover		23	4765-6101	snapper pin & cable
	12	4716A7151	frt./rear battery angle pkg.		24	4702-1201	deck extrusion curbside
.50	13	4702A5221	cs right folding ramp/gate		25	4701A9681	deck extrusion roadside
	13A	4702A5231	rs left folding ramp/gate	.15	26	4702-5891	ramp/gate supt. plate assy.
2.00	14	4701-509	corner bulkhead csr	.10		4714J08481	amber marker light
2.00		4701-508	corner bulkhead rsr			4716A4571	amber lens (lens only)
2.00		4702-528	corner bulkhead rsf				
2.00		4702-594	corner bulkhead csf				



Flat Rate	Crank Up/Crank Down Code	Component Parts Part #	Description
	1	4756-8321	bearing housing plate
1.50	2	4756-8301	coupler bushing
1.50	3	4720C2421	thrust bearing
*	4	4750A9251	bearing housing
		4738A0898	hex bolt x4
*	5	4751A3701	drive shaft & nut
*	6	4751-3561	pressure plate
*	7	4751-4831	ratchet wheel
*	8	4751-3581	pressure washer
*	9	4751A3591	shaft bushing
*	10	4751B3691	crank housing
		4731-3878	hex head bolt x4
		1201B6038	lock nut x4
*	11	4751-3721	housing cover plate
		1203-8641	rivet m25
.75	12	4716A1741	drive hub ext. pkg.
<b>Note: pkg. Includes parts marked w/* asterisk</b>			
	13	*4751B3551	5/8" nut
.50	14	*4752-3921	handle spring x1 m2
.50	15	*4751-4671	nylon washer x1
.10	16	*4747A9451	spiral roll pin x1 m6
.60	17	4716-1221	ratchet pawl pkg.
1.00	18	4744A1301	shear pin x1 m10
1.50	19	4756A8311	spacer bushing
	20	4720F2411	plate "painted"
1.50	21	4756-8441	square spacer
	22	4757-3938	washer x2

**Flat Rate 1.25**

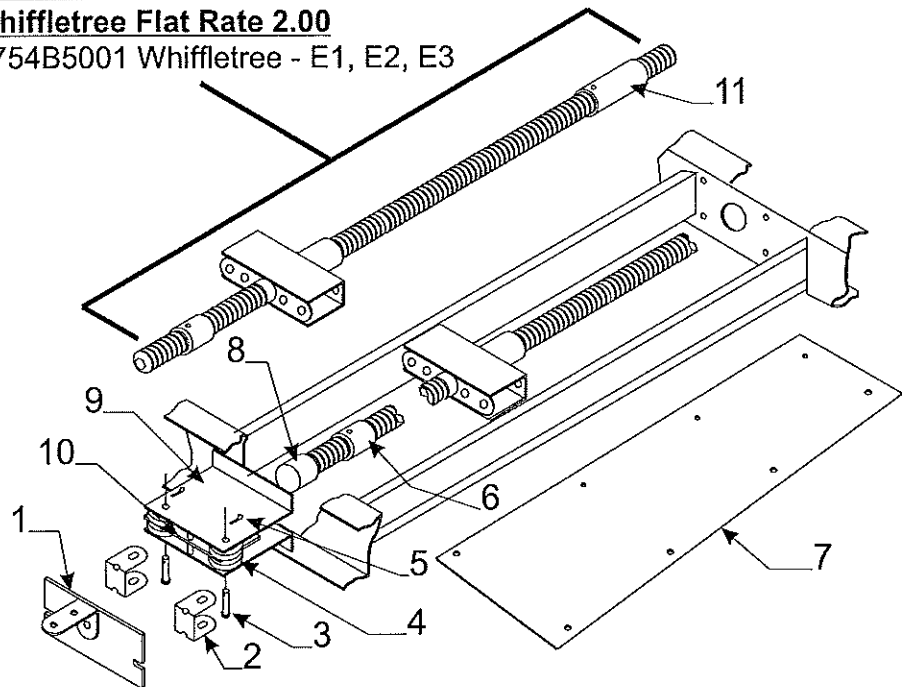
4716A0031 lift assy. roadside rear/curbside front - E1, E2, E3  
 4716A0041 lift assy. roadside front/curbside rear - E1, E2, E3



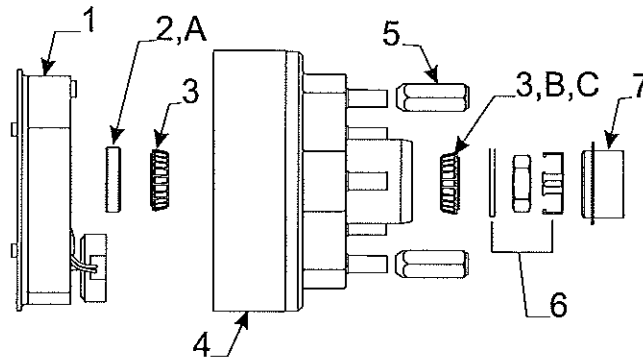
Flat Rate	Lift Assembly Component Parts	Description
.75	1 4720D5271	cable assy. x1 m2
	4720C1691	cable crimp m20
1.25	2 4773-2291	225 3/4" long cable & crimp
	4744-1318	copper cable crimp m10
1.25	3 4731C5801	butterfly bracket assy.
.05	4 4749-2081	screw m6
.50	5 4715A5371	steel pulley & bearing m10
.25	6 4747-8931	long pin x2
	4730B0981	retaining ring m12
.25	7 4749-4061	short pin m4
	4730B0981	retaining ring m12
.25	8 4749A2028	retaining clip
.45	9 4720C1578	lift pin m4
	10 1204B1081	cotter pin m10
	11 1203-8641	rivet m25
	12 1201B6378	1/4" lock nut
	1202E0408	washer

**Whiffletree Flat Rate 2.00**

4754B5001 Whiffletree - E1, E2, E3



Flat Rate	Whiffletree & Related Parts	Flat Rate	Description
.15	1 4749A821	.25	7 4752B4921
.50	2 4744B1741		4755-4611
.20	3 4720J1561		whiffletree pan cover
.50	4 4715A5371	2.00	8 4730D1291
.10	5 1204B1081	2.00	9 4720-1551
1.60	6 4710B4248	.50	10 4715D5661
	4744A1301		11 4772A184
			whiffletree pan cover
			tek screw m25
			(fasten pan in place)
			screw socket (welded)
			pulley plate
			pulley spacer
			bushing 3"

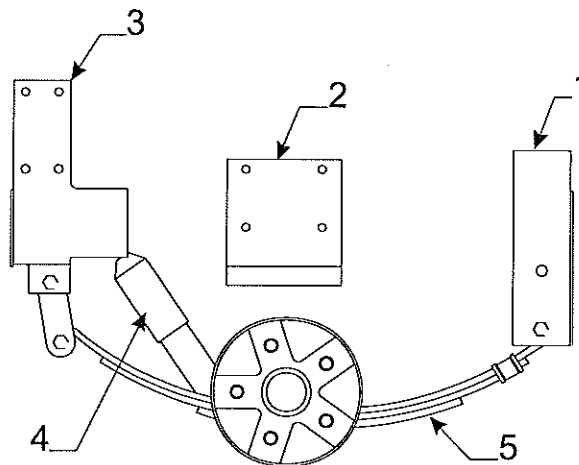


Flat Rate .50 Per Side  
**Electric Brake Pkg. 10 x 2 1/4" (4714J2011)**

<u>Flat Rate</u>	<u>Code</u>	<u>Part #</u>	<u>Description</u>
.50	1	4716-6251	10" brake assembly (right hand)
.50		4716-6261	10" brake assembly (left hand)
.50	2	4716A1441	10" grease seal (2 per pack)
.50	3	4716A1451	10" bearing, race & seal pkg.
.30	4	4716-1431	10" hub & drum x2
.05	5	4772-3601	lug nuts m5
.10	6	4714A3061	retainer package
.05	7	4714C0621	EZ lube grease cap m4

**Crossover Numbers To Purchase Locally**

**A** K71-303-00 Grease Seal  
**B** L44649 Bearing "outer" - L68149 Bearing "inner"  
**C** L44610 Race "outer" - L68111 Race "inner"



4701-0411 3500 lb. Brake Axle Assy - 10" hubs (Complete) - E1, E2, E3 - F.R. 1.25

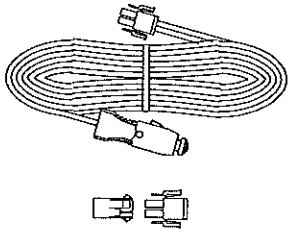
**NOTE: Refer to Dexter Axle for required part (s) phone - 219/295-1900**

<u>Flat Rate</u>	<u>Code</u>	<u>Part #</u>	<u>Description</u>
*	1	4701-502	frt. hanger brkt.
.25	2	4701-504	axle stop brkt.
*	3	4701-506	rear hanger assy.
.25	4	4701A0261	shock kit
.75	5		Must order through Dexter Axle

\* Prior Authorization Needed from Factory



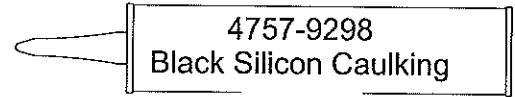
4733D6701 auto extension



4716A4701 12 volt cap & plug m2



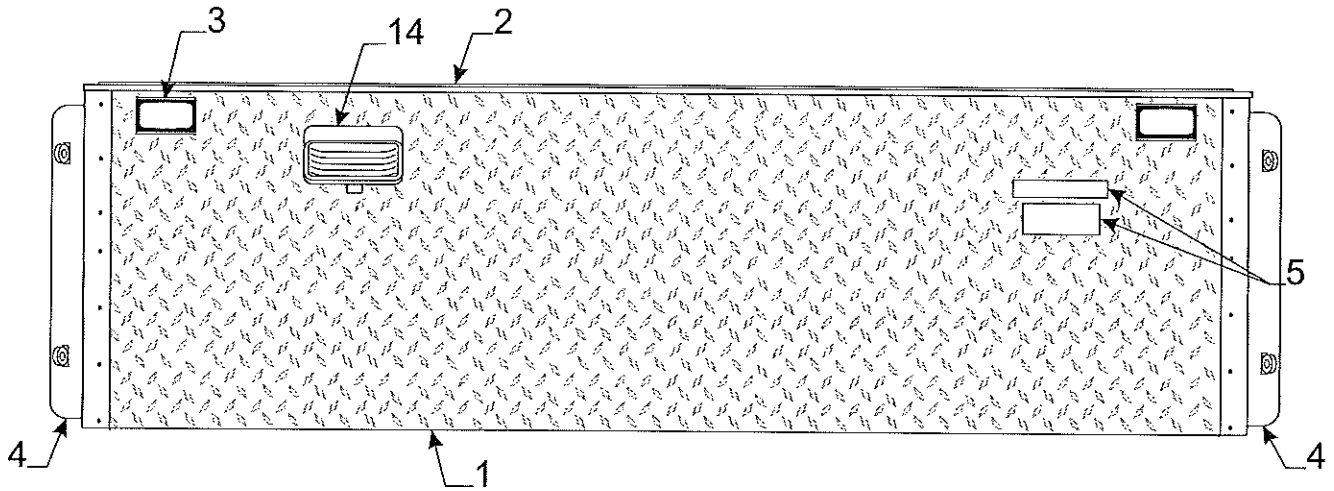
16 oz. spray



4757-9298  
Black Silicon Caulking

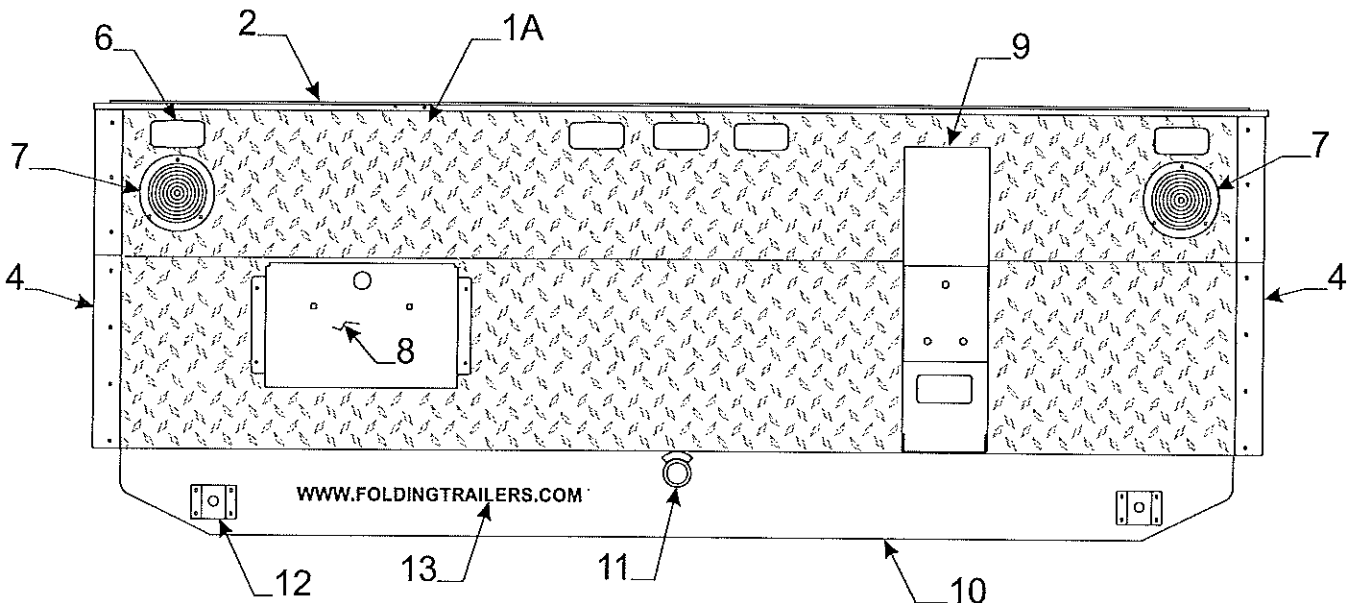
4701A1958  
Caulking "Black" Silaprene

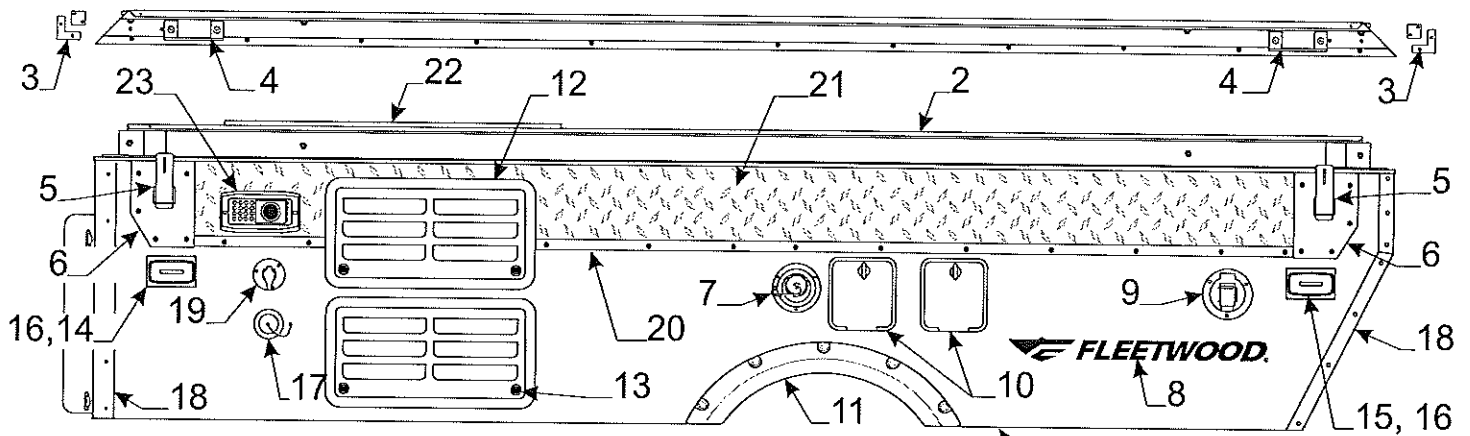
- 0008-2571 black (tongue paint)
- 0008-2641 black textured (frame paint)
- 4713-0101 yellow textured (body panel paint)
- 0008-2691 grey textured (body panel paint)



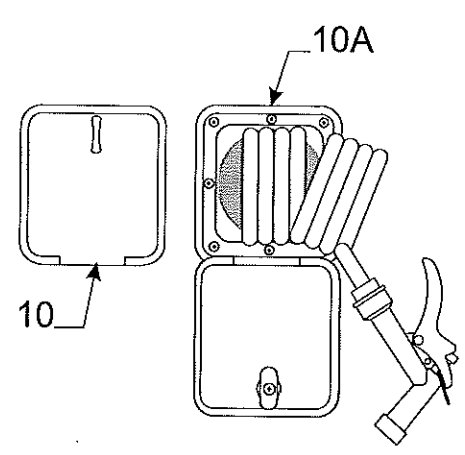
**Front & Rear Body Panel Components - E1, E2, E3**

FR	Code	Part #	Description	Flat Rate	Code	Part #	Description
2.00	1	4701A0571	front body pnl. - E1	.15	6	4714J08581	red marker light
1.50		4702C0011	front body pnl. - E2, E2	.10		4716A4561	red lens (lens only)
2.50	1A	4701A0591	rear body pnl. - E1, E2, E3	.20	7	4701A0601	taillight w/gasket x2
.75	2	4754C8681	front end rail			4701-1681	taillight gasket
.75		4759C1951	rear end rail			4733G0601	rivet "black" m25
		1203-8651	rivet x5 m25	.20	8	4701-0981	license plate holder
.15	3	4714J08481	amber marker light			4733G0601	rivet "black" m25
.10		4716A4571	amber lens (lens only)	.15		4739B4311	tag light
.25		4733H1311	socket & harness	.05		4732-1181	plastic grommet m4
		4747-2558	expansion rivet m25	.05		1121C1618	license plate screw x2
.25		4701-0581	marker light shield	.25	9	4701-5641	spare tire mount
		4701-1728	shield gasket			4772-3601	chrome lug nut m5
.30	4	4701A0961	trim (csr/rsf E1) (csr E2, E3)	.30	10	4701-177	1/2" - 20 x 1 3/4 bolt x3
.30		4701A0971	trim (csf/rsr E1) (rsr E2, E3)	.10		4701-176	1/2" - 20 lock nut x3
.30		4702-5241	corner angle assy. csf E2, E3	.10	11	4701A0881	bumper E1, E2, E3
.30		4702-5251	corner angle assy. rsf E2, E3	.10		4733-2741	2" snap bushing
		4733G0601	rivet "black" m25	.10		4730H3188	"open" decal
.05	5	4758-9921	tek screw "black" m12	.15	12	4716-0671	bed leg pin pkg.
.05		4759-8488	lp gas decal	.25	13	4767-0888	www.com decal
		4730K213C8	gas piping decal		14	4702-0251	cargo light "black"
						4716A1341	clear lens

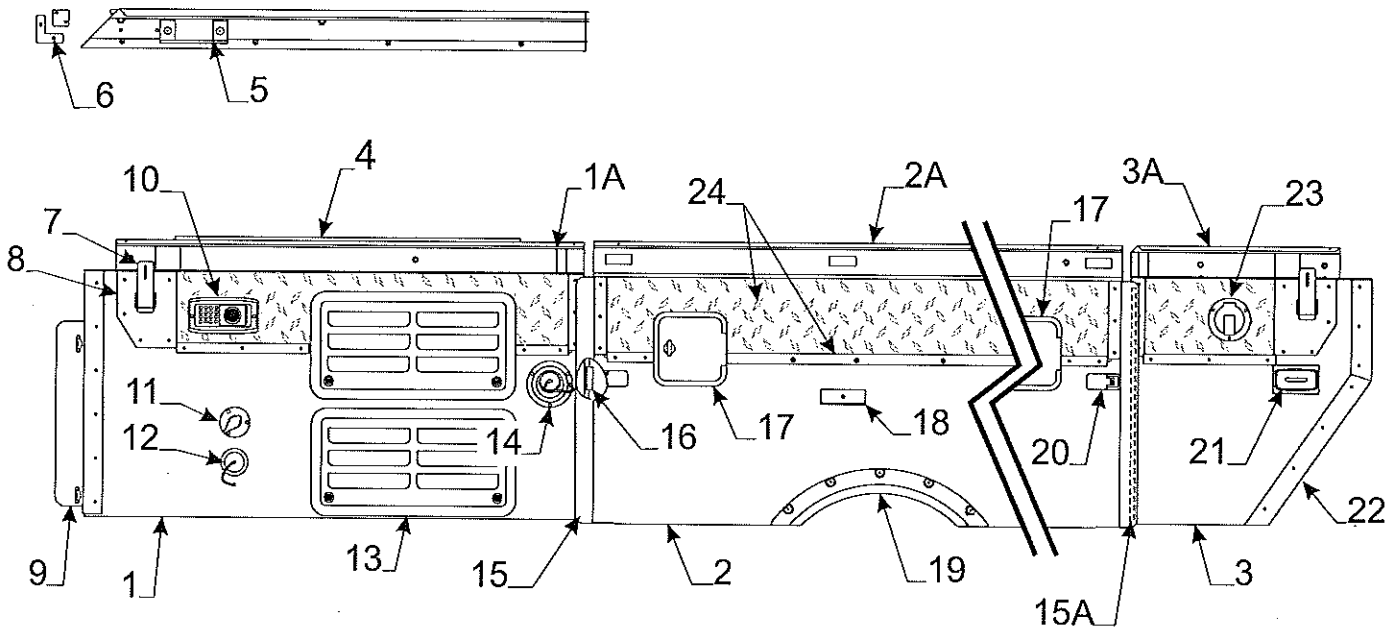




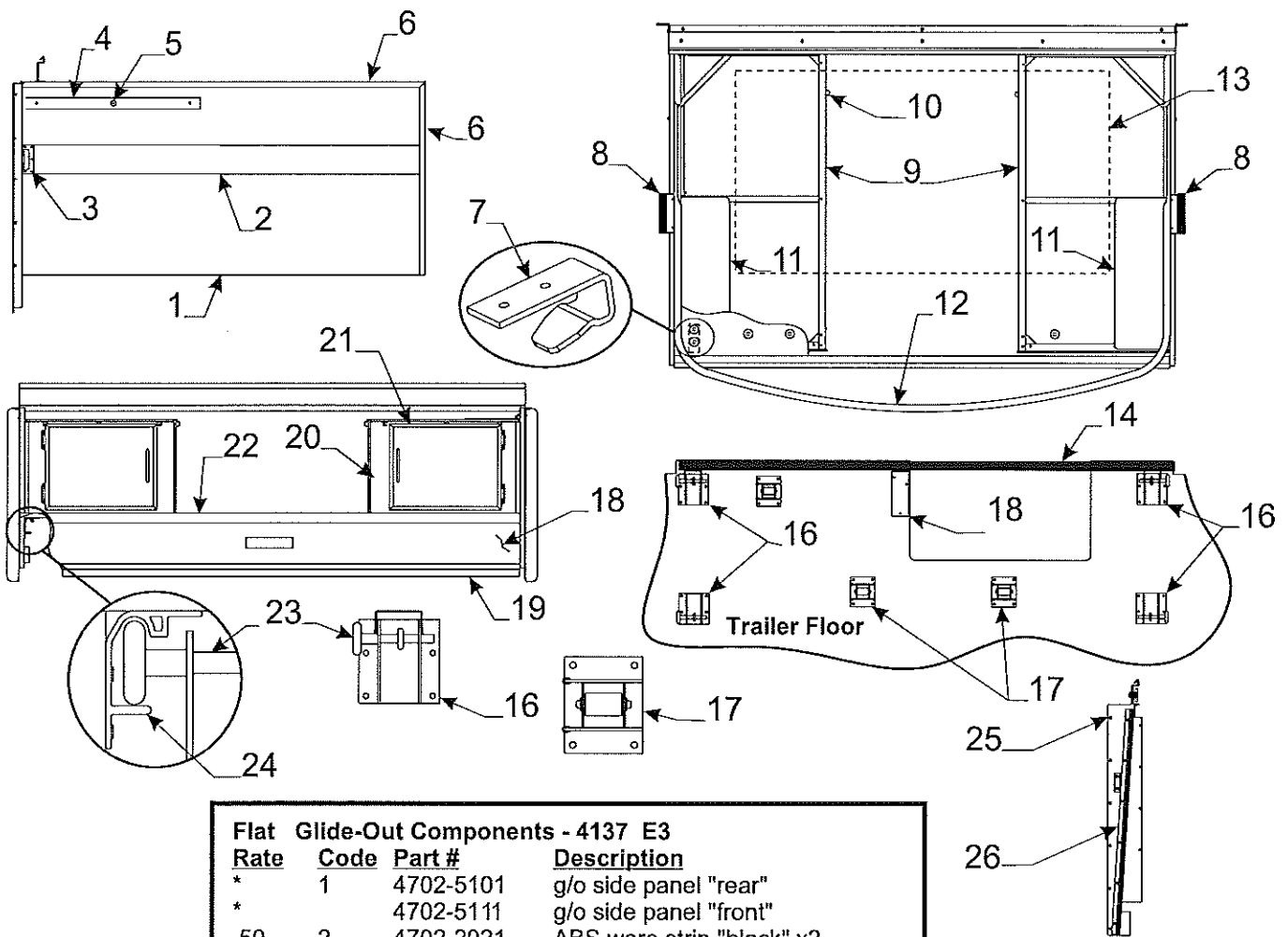
Flat Rate	Code	Part #	Description
*2.75	1	4701B075Y1	left side body pnl. "yellow" - E1
*2.75		4701B075S1	left side body pnl. "silver" - E1
*2.75		4701A986Y1	left side body pnl. "yellow" - E2
*2.75		4701A986S1	left side body pnl. "silver" - E2
3.00	2	4702-2751	left side body rail - E1
3.00		4701A9821	left side body rail - E2
.10		4716-2771	vel-stick body rail pkg.
		4757-0731	wire grommet & nut
.15	3	4716-7061	inner/outer miter cover pkg. m4
.25	4	4734C4121	lift trim, rivets & gasket pkg. m4
.15	5	4701-0951	top latch
		4749-4848	foam pad
.25	6	4701A0701	top latch plate rsf
.25		4701A0791	top latch plate rsr
.30	7	4701-0771	water tank spout
		4741-3508	hex head tek screw x3
.25	8	4701-2628	Fleetwood decal
.15	9	4701-0761	cable hatch
.30	10	4701-2401	faucet & hatch assy.
.30	10A	4701-2411	hose storage container
		4701-2421	coiled hose & nozzle
.25	11	4701A0461	wheel well trim
		4739F2901	chrome snap cap m12
		4060050008P	1/2" x 1" foam tape pkg. (12' pc.)
.50	12	4701-2321	refrigerator vent "black" x2
.10	13	4716-4441	reefer vent clasp m4
.15	14	4714J08481	amber marker light x4
.10		4716A4571	amber lens (lens only)
.25		4733H1311	socket & harness
		4747-2558	expansion rivet m25
.15	15	4714J08581	red marker light
.10		4716A4561	red lens (lens only)
.25	16	4701-0581	marker light shield
		4701-1728	shield gasket
.10	17	4701-1881	drain cap & strap
.30	18	4701A0961	corner trim (csr/rsf E1) (csr E2)
.30		4701A0971	corner trim (csf/rsr E1) (rsr E2)
.30		4702-5241	corner angle assy. cs E2
.30		4702-5251	corner angle assy. rs E2
		4758-9921	tek screw "black" m12
.30	19	4701-0781	city fill
.25	20	4701-9831	trim (must cut to size)
		4733G0601	rivet "black" m25
1.00	21	4701A9871	diamond plate (must cut to size)
.25	22	4737B2211	curtain track 35 1/2"
		1203-8678	rivet m25
.10	23	4741C9471	8" furnace vent



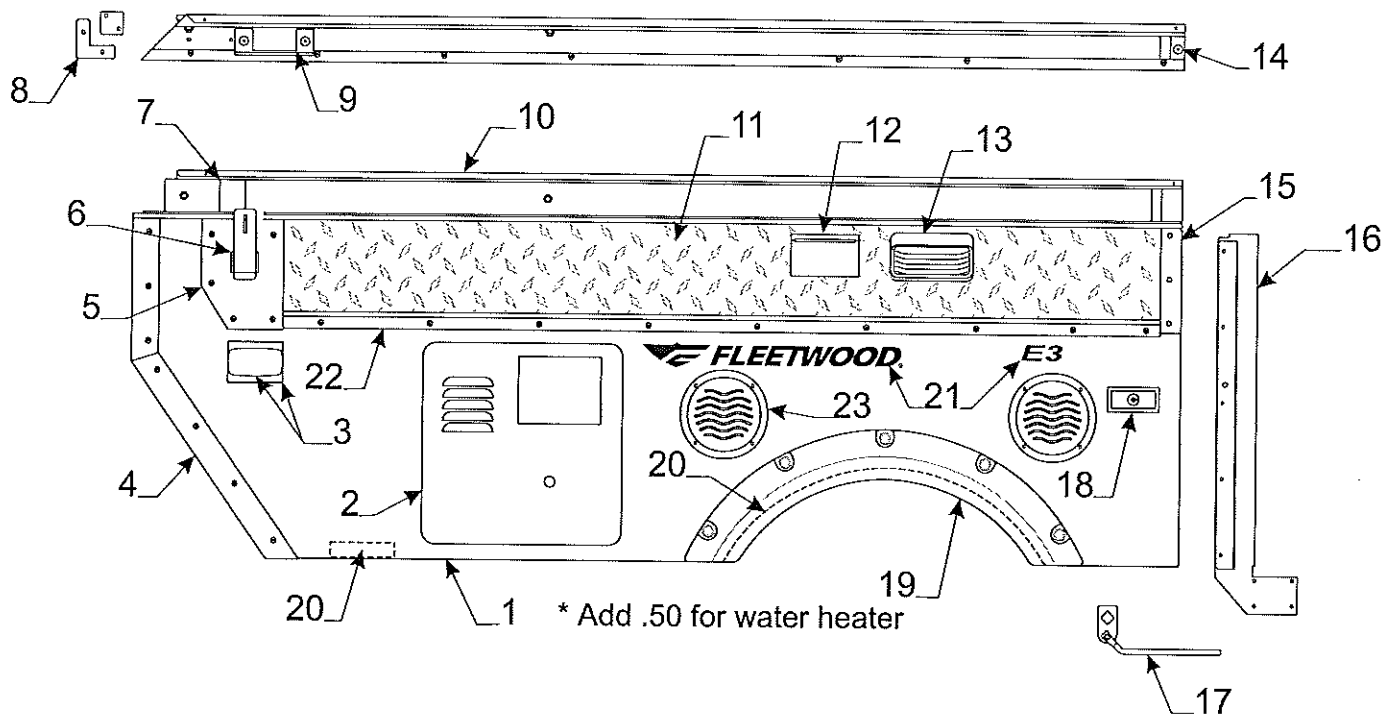
\* Add .50 For Heater Vent  
 \* Add 1.00 For Refrigerator



Roadside Body Panel & Components - 4137 E3			
Flat Rate	Code	Part #	Description
1.50	1	4702B168Y1	lt. frt body panel "yellow"
1.50		4702B168S1	lt. frt body panel "silver"
3.00	1A	4702A1511	left front body rail
.10		4716-2771	vel-stick velcro pkg.
1.00	2	4702-105Y1	g/o body panel "yellow"
1.00		4702-105S1	g/o body panel "silver"
3.00	2A	4756A9951	glide-out body rail
		4758-172	vel-stick velcro 2" x 1 3/4"
1.50	3	4702-171Y1	lt. rear body panel "yellow"
1.50		4702-171S1	lt. rear body panel "silver"
3.00	3A	4702A1501	left rear body rail
.10		4716-2771	vel-stick body rail pkg.
.25		4757-0731	wire grommet & nut
	4	4737B2211	curtain track 35 1/2"
		1203-8678	rivet m25
.25	5	4734C4121	lift trim pkg. m4
.15	6	4716-7061	miter cover pkg. m4
.15	7	4701-0951	top latch
		4701-1738	foam pad
.25	8	4701A0701	top latch plate rsf
.25		4701A0791	top latch plate rsr
.30	9	4702-5251	corner angle assy. rsf
.10	10	4741C9471	8" furnace vent
.30	11	4701-0781	city fill
.10	12	4701-1881	drain cap & strap
.50	13	4701-2321	refrigerator vent "black" x2
.10		4716-4441	reefer vent clasp m4
.30	14	4701-0771	water tank spout
		4741-3508	hex head tek screw x3
.25	15	4702-1041	glide-out angle seal "front"
		4702-1031	glide-out angle seal "rear"
	15A	4060000402P	D-seal pkg. "black" (6' pkg.)
.75	16	4756B4171	strike w/screws
.30	17	4701-2401	faucet & hatch assy.
		4701-2411	hose storage container
		4701-2421	coiled hose & nozzle
.75	18	4756-1181	pull handle
		4738-2608	tek screw "black"
.25	19	4701A0461	wheel well trim
		4739F2901	chrome snap cap m12
.15	20	4755-4091	latch & gasket
.10	21	4714J08581	red marker light
.25		4716A4561	red lens (lens only)
		4701-0581	marker light shield
		4701-1728	shield gasket
.30	22	4701A0971	rsr corner trim
.15	23	4701-0761	cable hatch
1.00	24	4701A9871	diamond plate
			(must cut to size)
.25	25	4701-9831	trim (must cut to size)
		4733G0601	rivet "black" m25
.25	26	4701-2628	Fleetwood decal



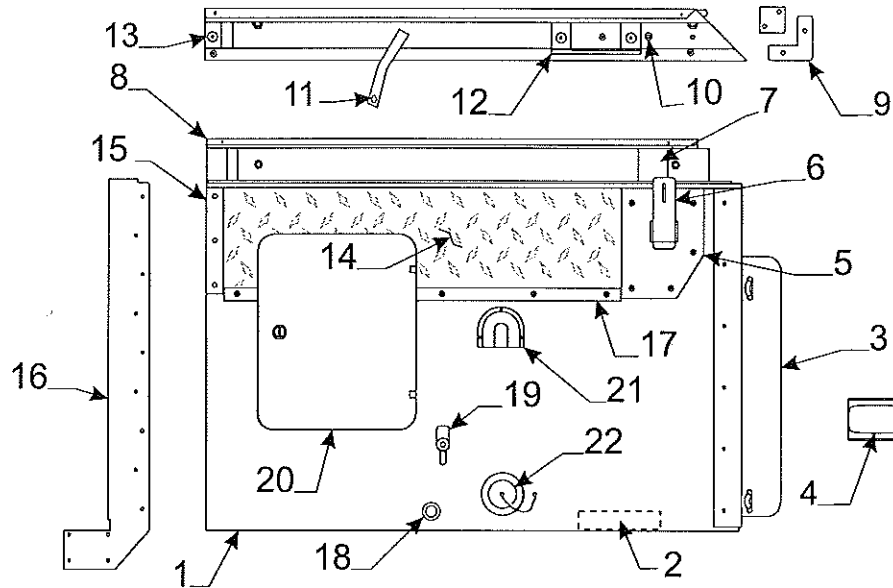
Flat Glide-Out Components - 4137 E3				
Flat Rate	Glide-Code	Part #	Description	
*	1	4702-5101	g/o side panel "rear"	
*		4702-5111	g/o side panel "front"	
.50	2	4702-2021	ABS ware strip "black" x2	
.15	3	4756D2161	lock boot w/cover plate x2	
.25	4	4754-3811	vel-stick (must cut to size)	
	5	4730A3548	stud w/screw x2	
.20	6	4060056204P	U-channel 48" pc.	
	7	4756-1201	glide-out catch x2	
.10	8	4756A1151	5 1/2" brush seal x2	
	9	4702-515	glide-out bench frames x2	
	10	4724-2608	stop button "plastic"	
.40	11	4702-5191	metal flip-up backrest x2	
.10	12	4756C2071	glide-out tent bow	
1.25	13	3568803202P	ware plate "galvanized" 30x55	
1.25	14	4702-549	g/o cover plate assy. "black"	
	15	4756A136	cover support brkt. x1	
	16	4756B6591	adjustable tower "front"	
		4757-7321	adjustable tower "rear"	
	17	4756-6651	short tower roller assy. x3	
.25	18	4702-5511	wood kick plate assy.	
.50	19	4702-1661	1/2" vinyl sweep	
	20	6010415698P	luan panel "black"	
	21	4702A1071	door panel 12" x 16"	
.50	22	4702-1651	edge cap "black"	
	23	4756-1161	glide-out roller x4	
	24	4756A1251	glide-out roller track x2	
1.65	25	4702-5401	g/o bulkhead left front	
1.65		4702-5381	g/o bulkhead left rear	
.35	26	4702-1431	front g/o seal track	
.35		4702-1421	rear g/o seal track	
		4064700589P	sweep seal "black" (8' pc. pkg.)	



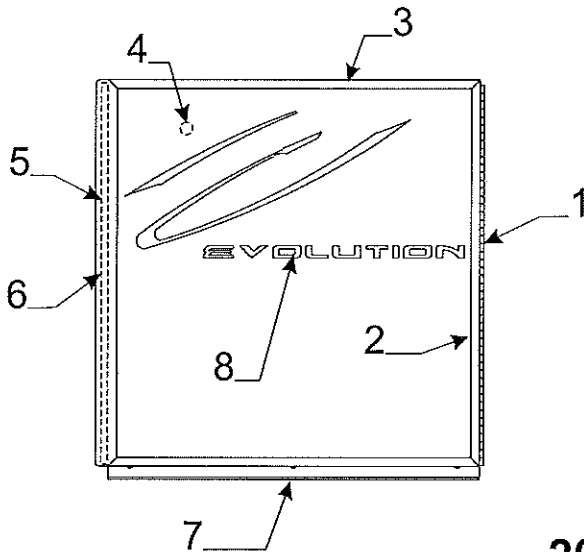
### Curbside Rear Body Pnl. & Components - E1, E2, E3

Flat

Rate	Code	Part #	Description	Flat Rate	Code	Part #	Description
*1.50	1	4701C061Y1	csr body panel "yellow" E1	.75	11	4702-1371	csr diamond plate (all) (must cut to size)
*1.50		4701C061S1	csr body panel "silver" E1		12	4701-1091	duplex outlet & cover
*1.50		4702C023Y1	csr body panel "yellow" E2	.25		4746-3871	duplex box
*1.50		4702C023S1	csr body panel "silver" E2	.35	13	4701-0631	porch light & gasket
*1.50		4702A174Y1	csr body panel "yellow" E3	.25		4716-5511	porch light lens "amber"
*1.50		4702A174S1	csr body panel "silver" E3	.10	14	1203-8831	rivet m25
.25	2	4701-2391	water heater door		15	4701A0691	doorway trim
.15	3	4714J08581	red marker light	.15	16	4701A5191	door bulkhead csr
.10		4716A4561	red lens (lens only)	1.25	17	4754-1691	latch, strike & lever
.25		4701-0581	marker light shield	1.00	18	4730C3111	lock handle (with key)
		4701-1728	shield gasket	1.00	19	4701A0461	wheel well trim
.30	4	4701A0961	csr corner trim	.25		4739F2901	chrome snap cap m12
		4733G0601	rivet "black" m25		20	4060050008P	foam tape pkg. (12' pc.)
		4758-9921	tek screw "black" m12		21	4701-2628	Fleetwood decal
.25	5	4701A0701	top latch plate	.25		4701-4788	E1 name decal - 4147
		4733G0601	rivet "black" m25	.25		4701-4808	E2 name decal - 4144
.15	6	4701-0951	top latch	.25		4701-4798	E3 name decal - 4137
		4741A9101	hex head tek screw m10	.25	22	4702-1381	stove support rail 73 11/16" (must cut to size)
.10	7	4716-2771	vel-stick body rail pkg.	.30	23	4702-2061	outside speaker x2 "black"
.15	8	4716-7061	miter cover pkg. M4				
.25	9	4734C4121	lift trim pkg. m4				
		4733-3398	nylon flange bushing x2				
1.00	10	4701-0621	csr body rail - E1				
1.00		4702A0241	csr body rail - E2				
1.00		4702-1361	csr body rail - E3				

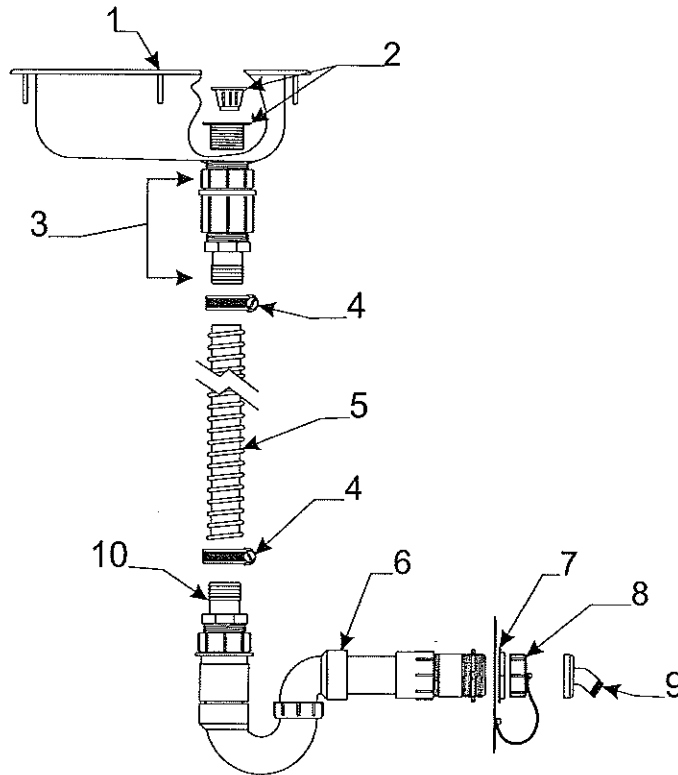


CS Front Body Pnl. & Components - E1, E2, E3				FR	Code	Part #	Description
				1.00	8	4701-0861	csf body rail - E1
1.00	1	4701A084Y1	csf body panel yellow - E1	1.00		4701-9731	csf body rail - E2
1.00		4701A084S1	csf body panel silver - E1	1.00		4702-1391	csf body rail - E3
1.00		4701-975Y1	csf body panel yellow - E2	.15	9	4716-7061	miter cover pkg. m4
1.00		4701-975S1	csf body panel silver - E2		10	4730A3548	stud & screw
1.00		4702A173Y1	csf body panel yellow - E3	.10	11	4701-5251	door strap
1.00		4702A173S1	csf body panel silver - E3			4758-8001	rivet m25
	2	4060050008P	foam tape pkg.(12' pc.)	.25	12	4734C4121	lift trim pkg. m4
.30	3	4701A0971	csf/rsr corner trim - E1			4733-3398	nylon flange bushing x2
.30		4702-5241	corner assy. csf - E2; E3		13	1203-8831	rivet m25
		4733G0601	rivet "black" m25	.60	14	4701-9771	diamond plate - E1, E2
		4758-9921	tek screw "black" m12	.60		4702A1401	diamond plate - E3
.15	4	4714J08481	amber marker light	.15	15	4701A0691	doorway trim
.10		4716A4571	amber lens (lens only)	1.25	16	4701A5201	door bulkhead csf
.25		4701-0581	marker light shield	.15	17	4701-9741	trim
		4701-1728	shield gasket			4733G0601	rivet "black" m25
.25	5	4701A0791	top latch plate	.10	18	4701-1851	rubber door stop
		4733G0601	rivet "black" m25		19	4702-0321	turn latch & rivet "black"
.15	6	4701-0951	top latch		20	4702-5521	potty door "black" - E3
		4741A9101	hex head tek screw m10		21	4702-0261	vent cover "black" - E3
.10	7	4716-2771	vel-stick body rail pkg.		22	4701-1881	drain cap & strap - E3



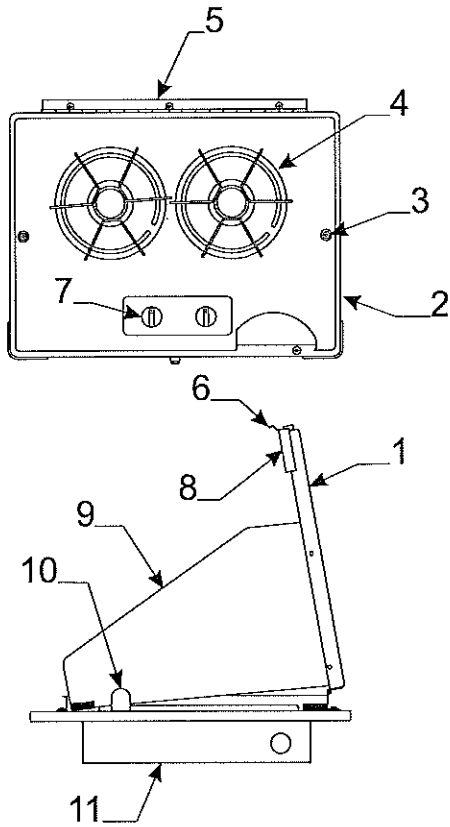
4701-527Y1 Access Door Assy. "Yellow" - E1, E2, E3  
 4701-527S1 Access Door Assy. "Silver" - E1, E2, E3  
 Flat Rate .50

Flat Rate	Access Door Assembly Components		
	Code	Part #	Description
.25	1	4701A0851	door hinge
.35	2	4701-0901	door frame
.25	3	4701-0891	door cap
	4	4730A3548	stud & screw
.20	5	4060000023P	d-seal pkg. (5' pc.)
.25	6	4701-0911	door frame
		4716-081	screw x2
.25	7	4701-0921	bottom trim
		4745-3968	screw x2
.25	8	4701B1758	Evolution decal



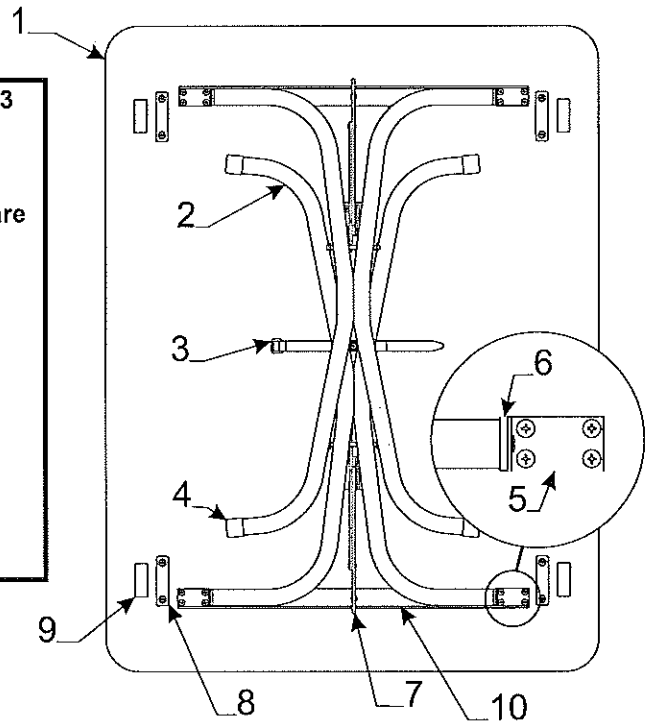
Flat Rate	Sink & Component parts - E1, E2, E3
Code	Part # Description
.30	1 4710F0301 sink "stainless"
.05	2 4714C0661 crumb cup "only" (wht. threaded)
.25	4730E3151 crumb cup & basket
.40	3 4713-0061 straight adapter pkg.
	<b>Note: pkg. includes barb, washer, nut and adapter</b>
	4757-9131 1 1/4" rubber washer
	4 4715-4501 1 1/4" hose clamp
.80	5 4060012503P 1 1/4" drain hose pkg. (10' pc.)
	<b>Note: must cut hose to length</b>
.75	6 4767B5811 drain trap assy. E1, E2, E3
	7 4757-0921 1 1/2" metal nut "white"
.10	8 4714A2861 cap & strap
	9 4701-1881 drain adapter
.40	10 4757A0871 adaptor 1 1/4" barb

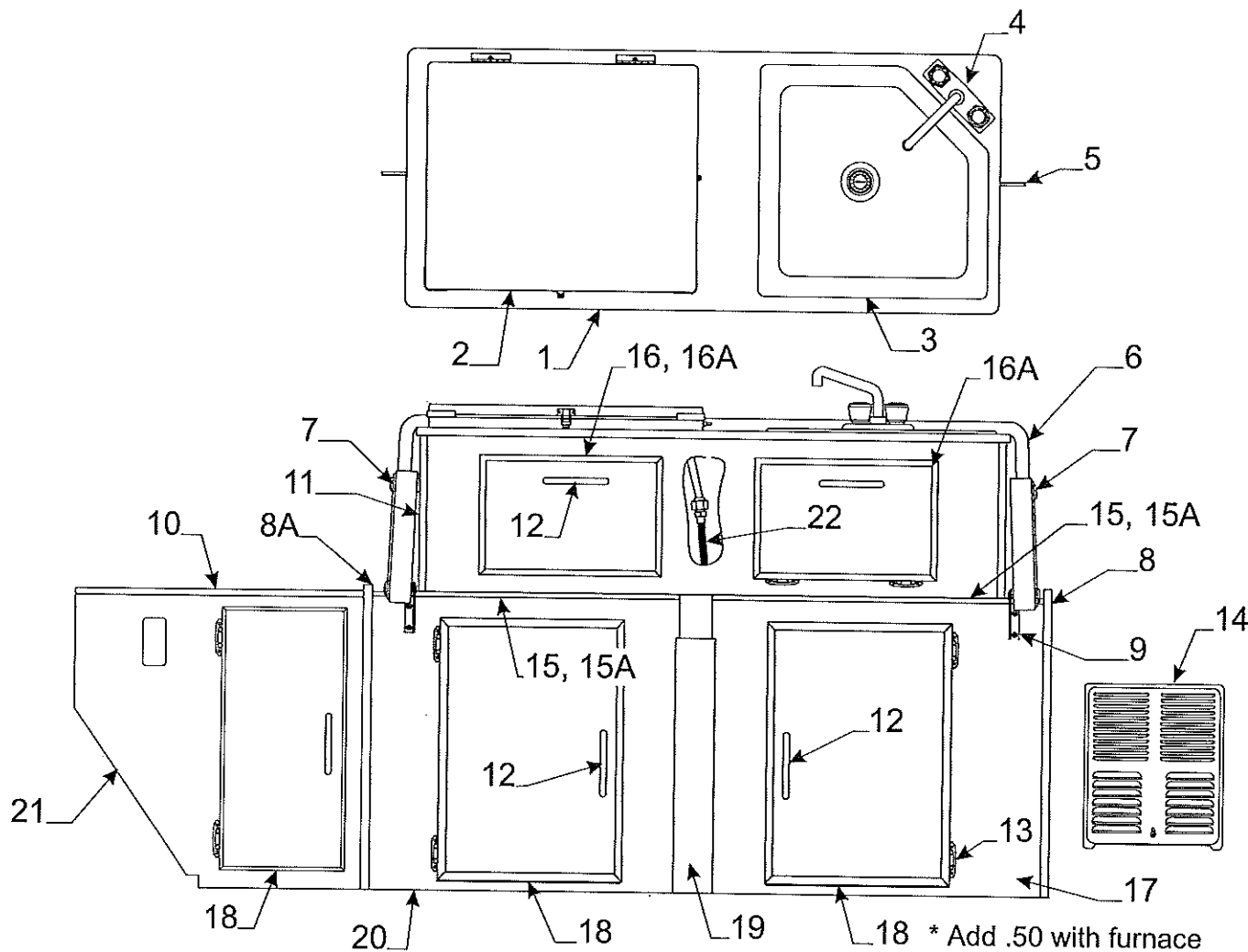




Stove Component Parts (Galley Area) - E1, E2, E3			
Flat Rate	Code	Part #	Description
.15	1	4701-1191	stove cover assy.
.15	2	4701-1201	2 burner cook top
.05	3	4716-2631	stove top screw/washer m2
.05	4	4752A9881	stove grate
.10	5	4716A2671	stove cover hinge
.15	6	4733-4018	stove cover latch
.15		4733-4028	stove cover strike
.05	7	4716A1861	knob
	8	4732A2291	edge molding m2
.25	9	4716A2661	stove fin "right"
.25		4716A2651	stove fin "left"
.15	10	4716A2641	stove fin stay brkt. m2
.75	11	4748D2581	2 burner stove box

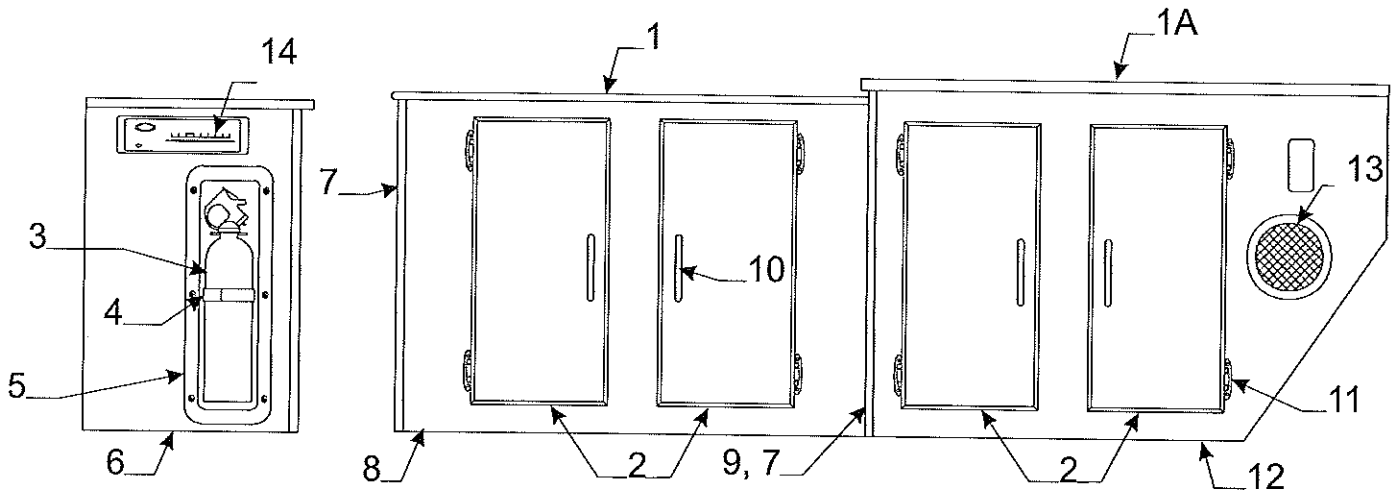
Dinette Table Assembly Components - E1, E2, E3			
Flat Rate	Code	Part #	Description
.50	1	4701A2021	table top (30' x 39")
.50	2	4701A1491	table leg package "silver"
<b>Note: pkg. includes 2 legs &amp; required mounting hardware</b>			
.10	3	4751A9711	strap & screw pkg.
	4	4752-0551	white plastic cap m2
.15	5	4713-0321	table leg mounting brace m2
		1103E1018	5/8" wood screw
.15	6	4752A0561	table leg insert cap m2
		4747-2558	expansion rivet m25
.25	7	4744-6971	lock brace assy. x2
		1103E1018	5/8" wood screw
.15	8	4756-8741	table top plastic spacer m4
		1103B08148	7/8" screw (x2 per spacer)
.05	9	4724D2631	velcro fastener m4
	10	4759-9601	table brace brkt. x2



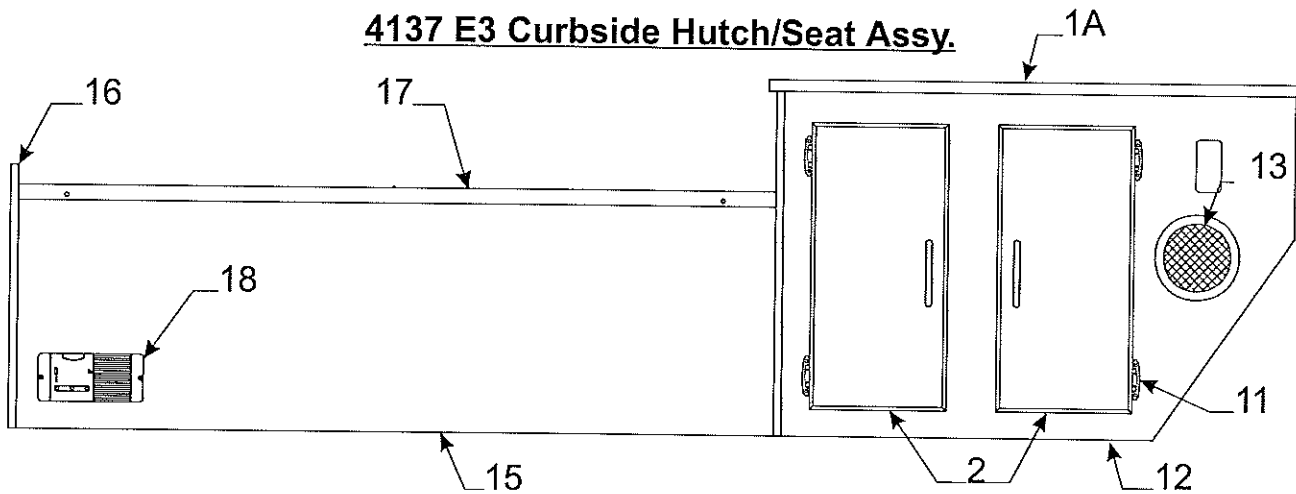


Flat Rate	Upper/Lower Galley E1, E2, E3	Flat Rate	
Code	Part # Description	Code	Part # Description
2.00	1 4701B4681 galley top	.65	11 4064737503P 3/8" f-channel 48" pc.
	2 <b>Note:</b> refer to page 12 for stove components	.10	12 4755B2681 door pull "pewter"
.80	3 4745E2801 sink "black porcelain"	.10	13 4739C0511 hinge
	<b>Note:</b> refer to page 12 for sink components	.10	14 4743A3551 furnace grill "black"
1.00	4 4745E2741 mixer faucet	.75	15 4713-1451 universal lower galley top ( <b>Note:</b> must to size)
.75	5 4752A9271 galley pivot brkt. (lt. & rt.)	.20	4746C0971 kill switch m4
	4744H4601 rivet m25	.10	4733C4981 rocker switch (elec. pump)
1.00	6 4702-37961 galley lift bar (ALL)		15A 4064795603P 3/8" u-channel "blk" 60" pc.
	4757-6341 chain assy x2 per bar	.15	16 4702A5711 drawer assy.
.15	7 4702-3771 plastic chain cover (left)	.15	16A 4701A4651 dr/drawer pnl. 14 1/4" x 10"
.15	4702-3781 plastic chain cover (right)	.15	17 4701B1431 lower galley front rt. - E1
.75	8 4701-4831 galley gazoodi rt. - E2	*1.00	4701C4821 lower galley front rt. - E2
.30	4064700091P lipped t-molding 12' pc. pkg.	1.00	4702B1481 lower galley front rt. - E3
.75	8A 4701-4811 galley gazoodi lt. - E2	.15	18 4701A4671 door pnl. 14 1/4" x 18 1/2"
.75	4701-1441 seat gazoodi - E1	.15	4701A1481 door pnl. 9 1/8" x 12"
.75	4702-1131 galley gazoodi - E3	.15	4701A4661 door pnl. 9 1/8" x 18 1/2"
	4755B8201 nylon block x2 - E3		4733-6391 latch & strike pkg.
.35	4702-196 glide-out seal track - E3	.25	19 4702-5081 filler assembly
	4064700589P glide-out sweep seal - E3	1.00	20 4702A1461 lower galley frt lt. - E1, E3
.60	9 4702-5261 lower galley brkt. "left"	1.00	4701C4821 lower galley front lt. - E2
.60	4702-5271 lower galley brkt. "right"	.75	21 4701A4861 cabinet front - E2
1.00	10 4701A4851 cabinet top - E2	.45	22 4753-5581 flexible gas hose 48"
	4747-8941 black plastic cap m2		

### 4147 E1 Curbside Hutch Assy.

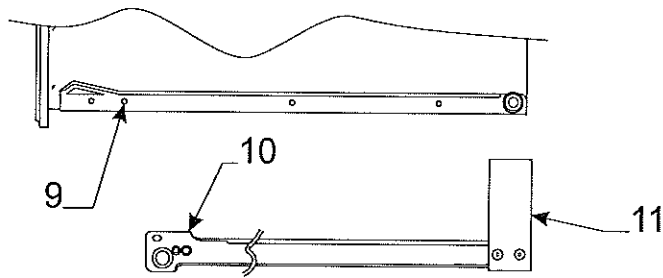


### 4137 E3 Curbside Hutch/Seat Assy.



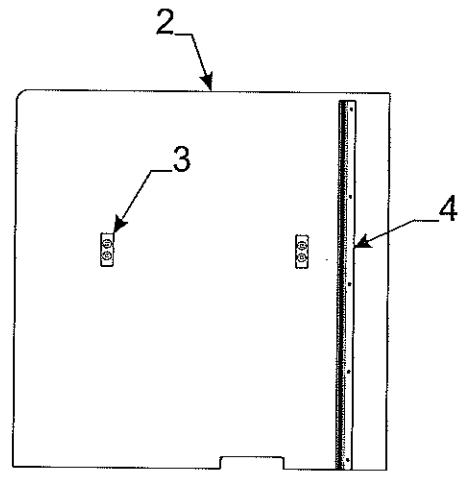
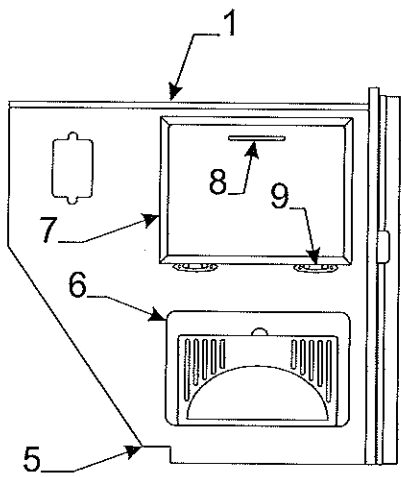
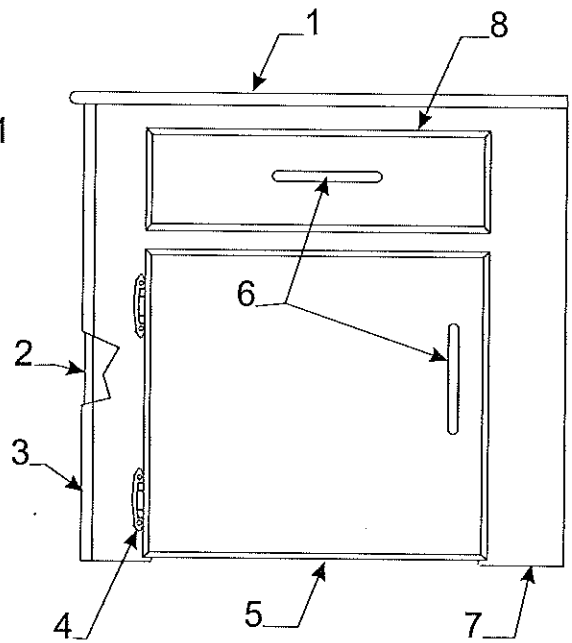
#### Curbside Hutch/Seat Assy. - 4147 E1, 4137 E3

Flat Rate	Code	Part #	Description	Flat Rate	Code	Part #	Description
.75	1	4702A1951	hutch top "small" - E1	.10	11	4739C0511	hinge
	1A	4702A1591	hutch top "large" - E1, E3			4749C4591	screw #6 x 3/8" m12
.15	2	4701A4661	door pnl. 18 1/2" x 9 1/8"	1.00	12	4701B1281	hutch front "rt."
.10	3	4737A5558	fire extinguisher	.15	13	4800A3911	speaker/grill "black"
.05	4	4716-1191	fire extinguisher strap m2	.50	14	4765C1121	am/fm cd radio
.15	5	4701-1321	recessed mount			4765A1141	wire antenna w/plug
		4701-1331	screw m12		15	4702B157	seat front - E3
.55	6	4701B1301	hutch side		16	4702C1581	seat end - E3
.65	7	4064737503P	3/8" f-channel 48" pc.	.30		4064700091P	t-molding 12' pc. pkg.
.50	8	4701B1311	hutch front "lt."		17	4702-547	seat frame - E3
.50	9	4701B1271	hutch mid panel		18	4753B9171	lp gas detector
.10	10	4755B2681	door pull "pewter"				

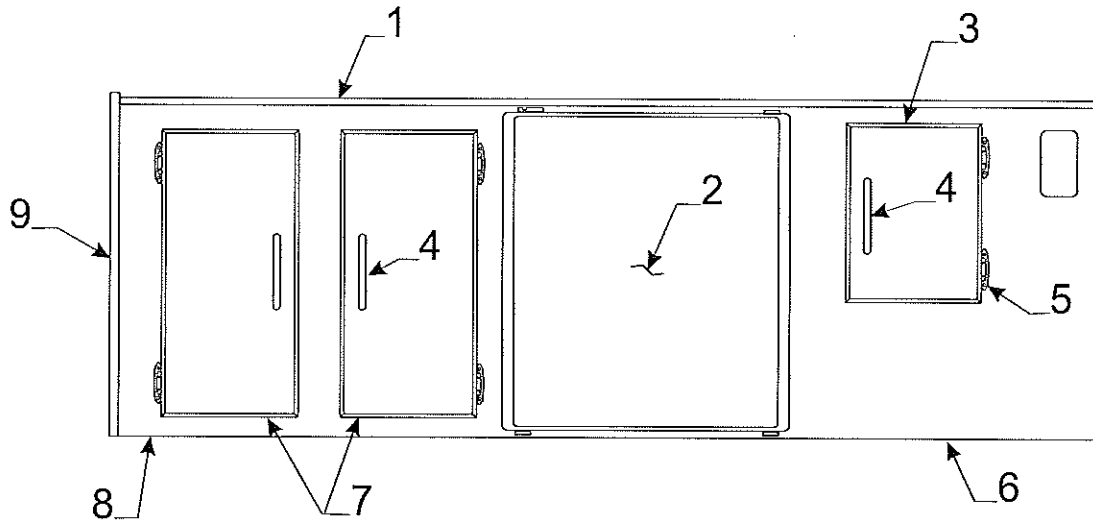


**CSF Corner Cabinet Assy. - 4147 E1**

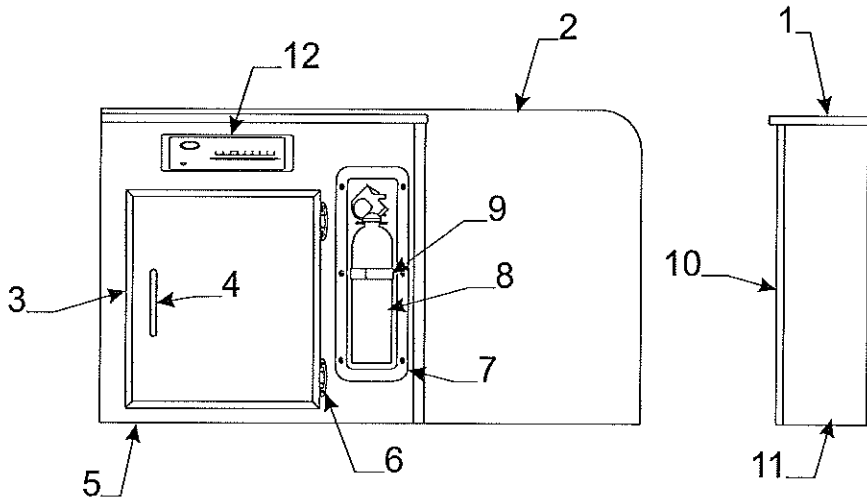
Flat Rate	Code	Part #	Description
.25	1	4701E1211	cabinet top
.30	2	4701A122	cabinet side
.35	3	4064737503P	3/8" f-channel 48" pc.
.10	4	4739C0511	hinge
		4749C4591	screw #6 x 3/8" m12
.15	5	4701A1251	door pnl. 17 1/4" x 15 1/8"
.15		4733-6391	latch & strike pkg.
.10	6	4755B2681	door pull "pewter"
.50	7	4701B1231	cabinet front
.10	8	4701A5281	drawer assy.
	9	4758A103	drawer slide RHD 12"
		4758A102	drawer slide LHD 12"
	10	4755A8821	14" drawer guide lt.
	10	4755A8831	14" drawer guide rt.
	11	4758A292	mounting bracket



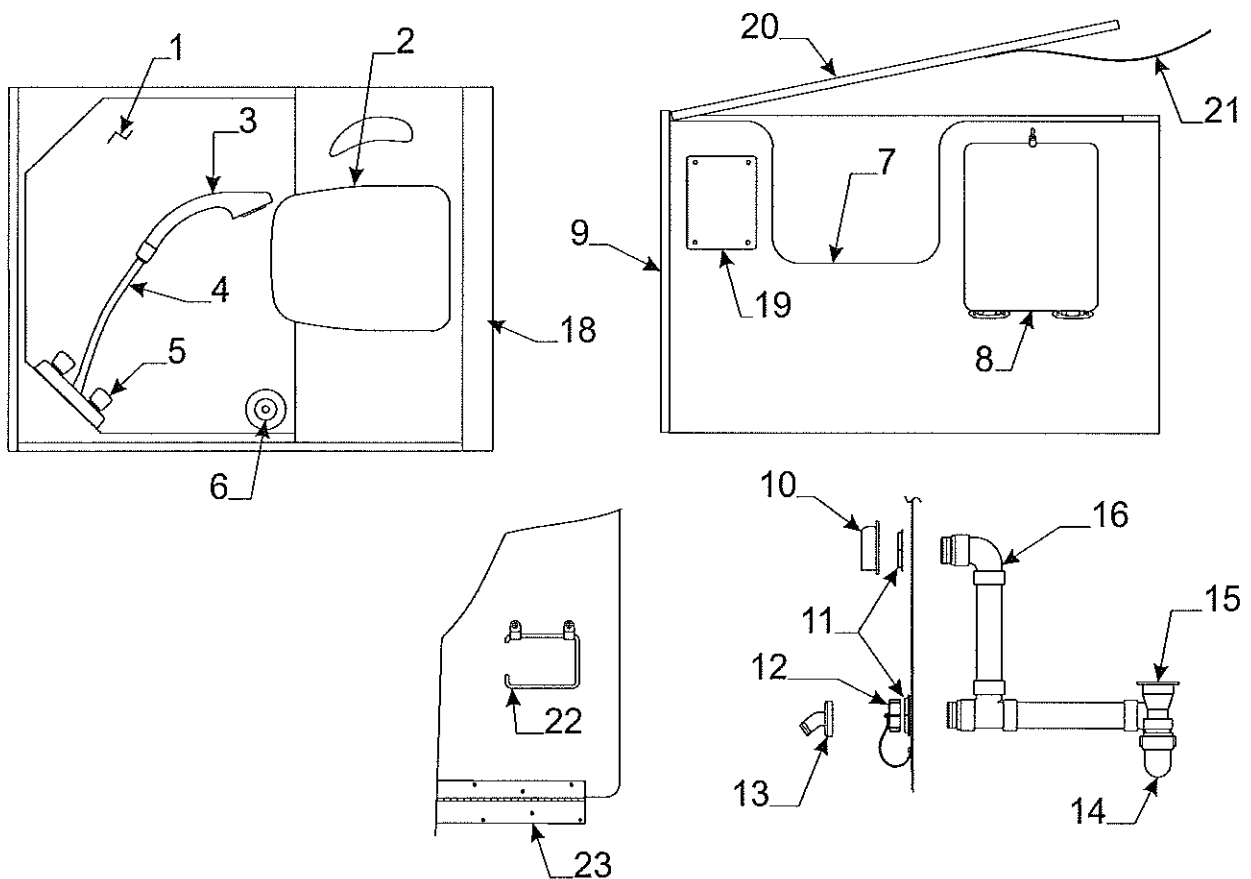
Flat Rate	Code	Part #	Description	Flat Rate	Code	Part #	Description
2.00	1	4702A1121	cabinet top		5	4702B1101	cabinet front
.75	2	4702-1131	cabinet gazoodi		6	4753E8201	converter
.30		4064700091P	lipped t-molding 12' pc. pkg.	.15	7	4701A1481	door panel 9 1/8" x 12"
	3	4755B8201	nylon block x2	.15		4733-6391	latch & strike pkg.
.35	4	4702-196	glide-out seal track	.10	8	4755B2681	door pull "pewter"
		4064700589P	glide-out sweep seal	.10	9	4739C0511	hinge
						4749C4591	screw #6 x 3/8" m12



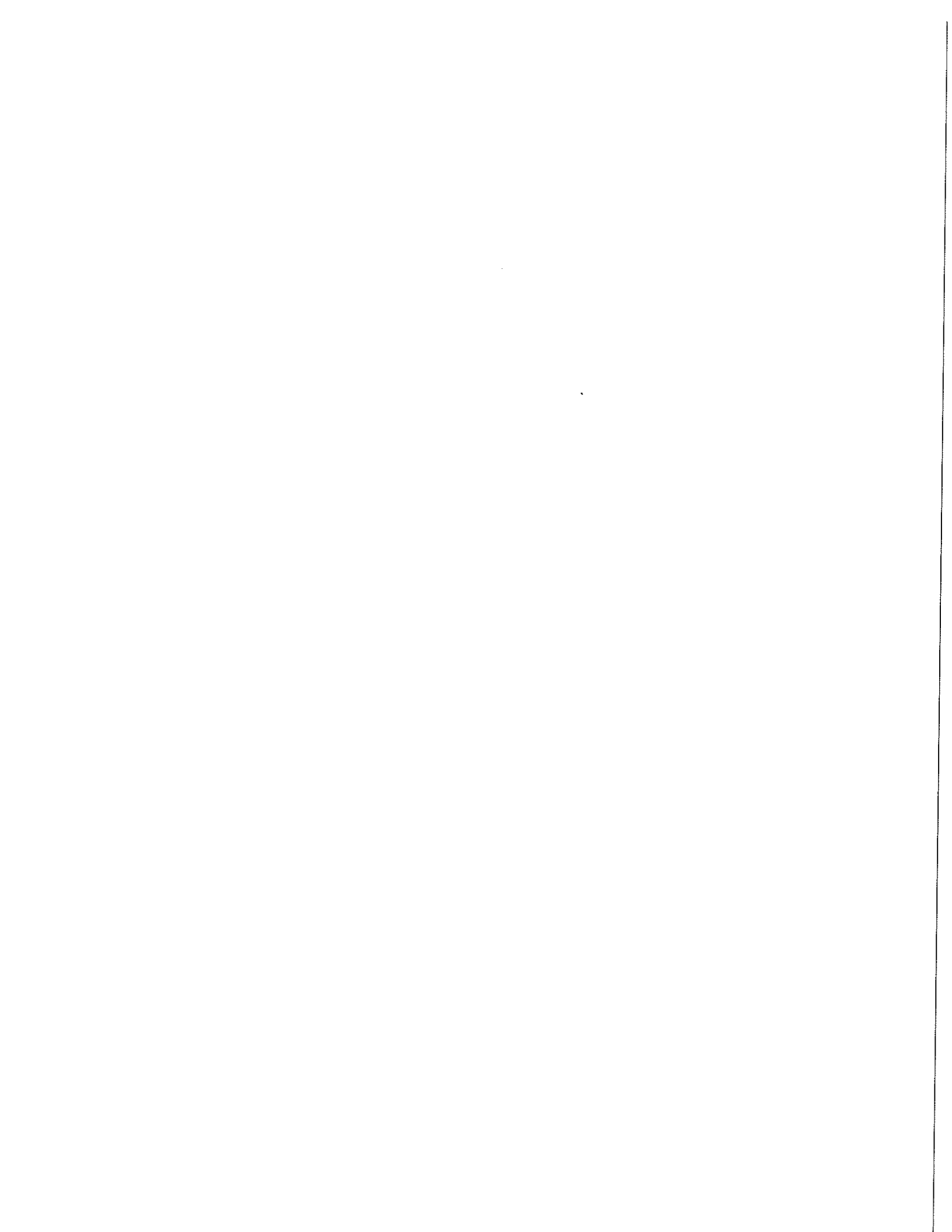
Roadside Hutch Assy. - 4144 E2				Flat			
Rate	Code	Part #	Description	Rate	Code	Part #	Description
.75	1	4701B4721	hutch top	.10	5	4739C0511	hinge
.25	2	6010415698P	reefer door insert	1.00	6	4701B4741	hutch front "rt."
.15	3	4701A1481	door pnl. 9 1/8" x 12"	.15	7	4701A4661	door pnl. 9 1/8" x 18 1/2"
.10	4	4755B2681	door pull "pewter"	.55	8	4701B4731	hutch front lt.
				.10	9	4701-4831	galley gazoodi rt.
				.30		4064700091P	t-molding (8' pkg.)



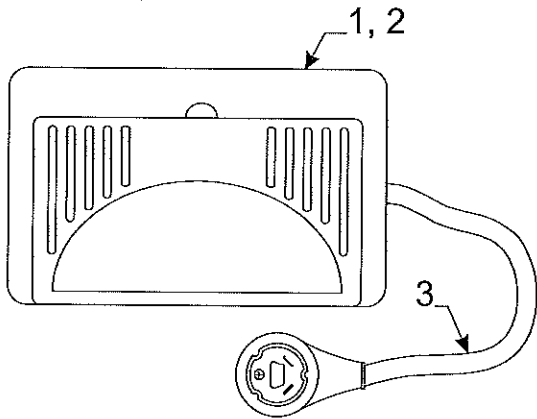
CSR Seat Cabinet Assy. - 4144 E2				Flat			
Rate	Code	Part #	Description	Rate	Code	Part #	Description
.25	1	4701B9581	cabinet top	.10	6	4739C0511	hinge
.75	2	4701-9611	seat gazoodi	.15	7	4701-1321	recessed mount
.30		4064700091P	t-molding (8' pkg.)			4749C4591	screw #6 x 3/8" m12
.15	3	4701A8641	door pnl. 15 3/4" x 13"	.10	8	4737A5558	fire extinguisher
.15		4733-6391	latch & strike pkg.	.05	9	4716-1191	fire extinguisher strap m2
.10	4	4755B2681	door pull "pewter"	.35	10	4064737503P	3/8" f-channel 48" pc.
.50	5	4701B9591	cabinet side	.50	11	4701B9601	cabinet front
				.50	12	4765C1121	am/fm cd radio
						4765A1141	wire antenna w/plug



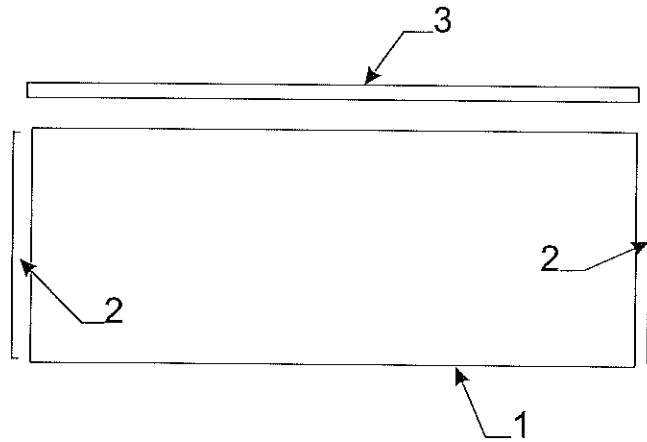
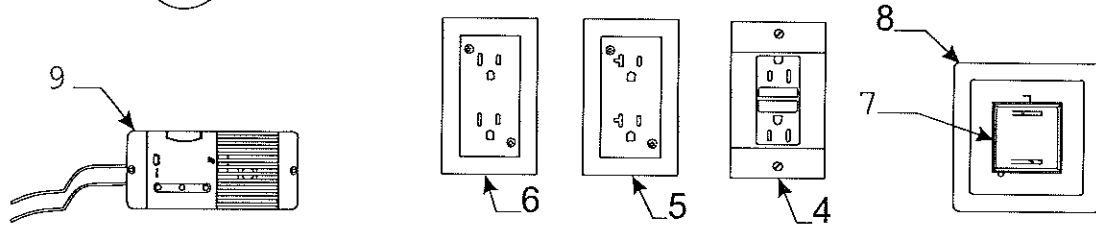
Shower Stall Components - 4144 E2, 4137 E3							
Flat Rate	Code	Part #	Description	Flat Rate	Code	Part #	Description
1.50	1	4759A1001	shower pan - E2	.50	11	4757-0921	metal nut 1 1/2"
1.50		4759B1001	shower pan - E3			4701-1871	plastic nut 1 1/2" pvc
.75	2	4746D2461	cassette potty - E2	.10	12	4714A2861	cap & strap
.75		4756A2251	cassette potty - E3		13	4737-9138	drain adapter
.15	3	4767-0101	shower head w/bracket	.40	14	4752-3621	p-trap w/union joint
		4767-0111	shower head brkt. (c-shape)		15	4757-8561	drain plug adapter
.20	4	4741B2051	shower hose (72" length)	1.00	16	4741B9301	vent system
.50	5	4741B2071	shower diverter		17	4741D6361	tub package. (Not Shown)
.10		4716-0848	shower hose connector		18	4800-4041	shower back angle
.50	6	4746A1821	basket & strainer		19	4800-4051	access cover
1.50	7	4800B4031	shower threshold - E2	.40	20	4701-7421	shower cover board - E2
1.50		4702B1641	shower threshold - E3	.40		4702-5651	shower cover board - E3
.30		4060300083P	t-molding (threshold) (12' pc.)	.05	21	4754-7401	hold-up strap - E2
.15	8	4800A5411	potty door - E2	.05		4769-6721	hold-up strap - E3
.75	9	4800-4021	shower wall - E2		22	4756-9121	TP holder
.75		4800B4021	shower wall - E3			4747-2531	nylon clamp m2
.30		4060400091P	1/2" t-molding pkg. (12' pc.)	.25	23	4756-4441	shower board hinge
	10	4702-0261	vent cover "black"				



**WORLD FRIENDSHIP CO., LTD**  
 Warranty: 800-900-2468



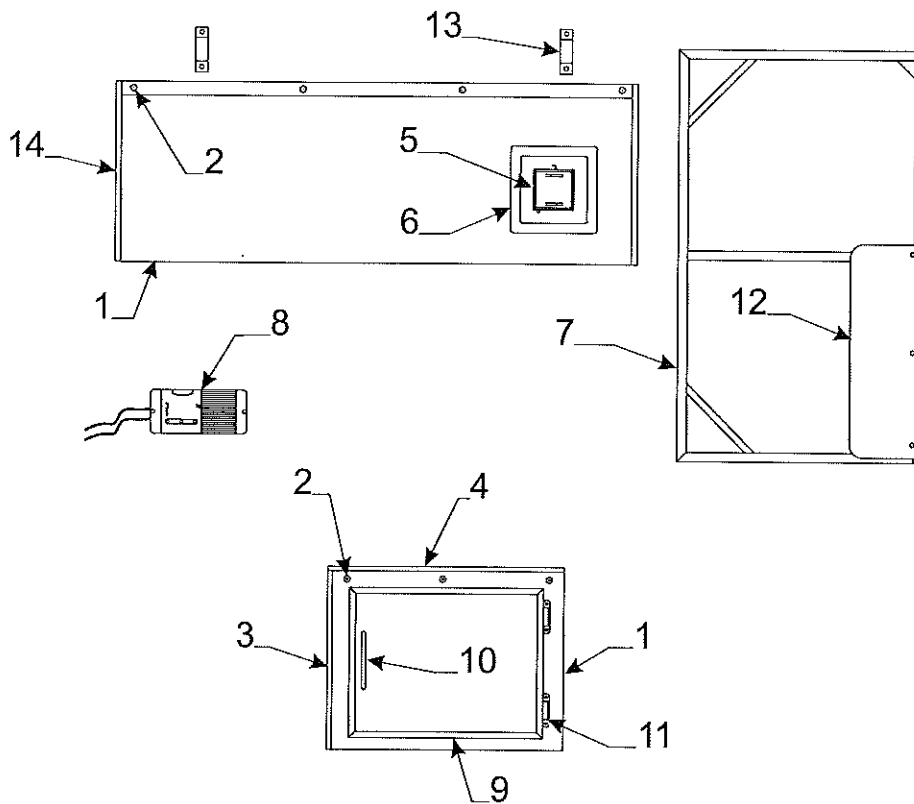
Flat Rate	Code	Part #	Description
1.00	1	4753E8201	converter 25 amp
	2	4716D1301	door & frame (plastic)
.60	3	4772-1601	power cord 32 ft.
.35	4	4746B3841	GFI receptacle "white"
.35		4701-1061	GFI receptacle "black"
.20	5	4752-2371	20 amp receptacle "white"
.20		4701-1071	20 amp receptacle "black"
.20	6	4752-2361	15 amp receptacle "white"
.20		4701-1081	15 amp receptacle "black"
		4746A3851	receptacle box
	7	4752A8461	thermostat
.20	8	4701-2341	plastic base & bracket
.25	9	4753B9171	lp gas detector "black"



\* Prior Authorization Needed

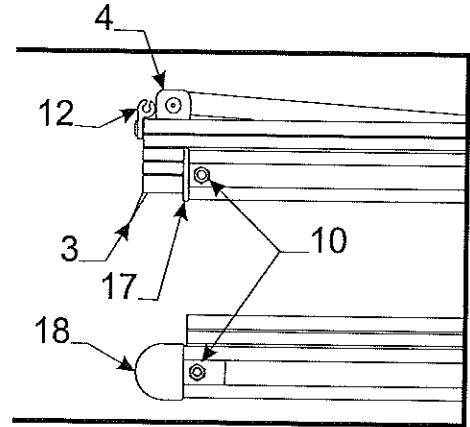
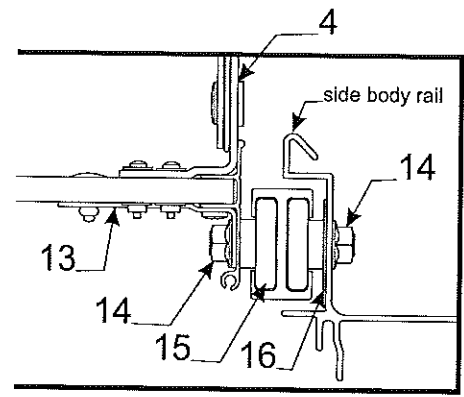
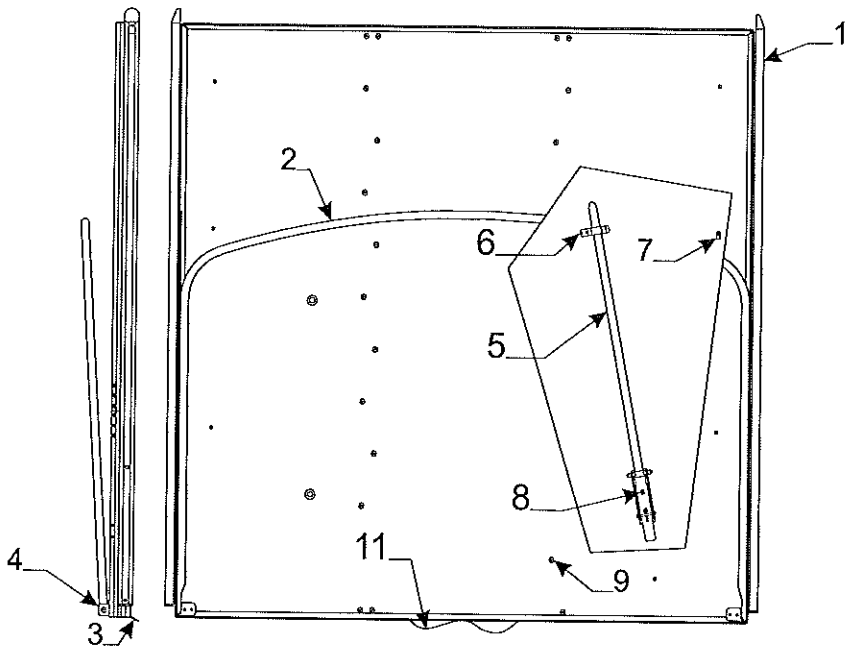
Flat Rate	Code	Part #	Description
*	1	6010415698P	wall panel 48" x 48"
*	2	4064700378P	corner divider m2 48" pc.
	3	4064700066	luan batten strip "black" 96" pc.
	4	4060000084P	3/16" sponge gimp "black" (20' pc. pkg.)
		4064700037P	large gimp "black" (20' pc. pkg.)





\* Warranted Through Vendor

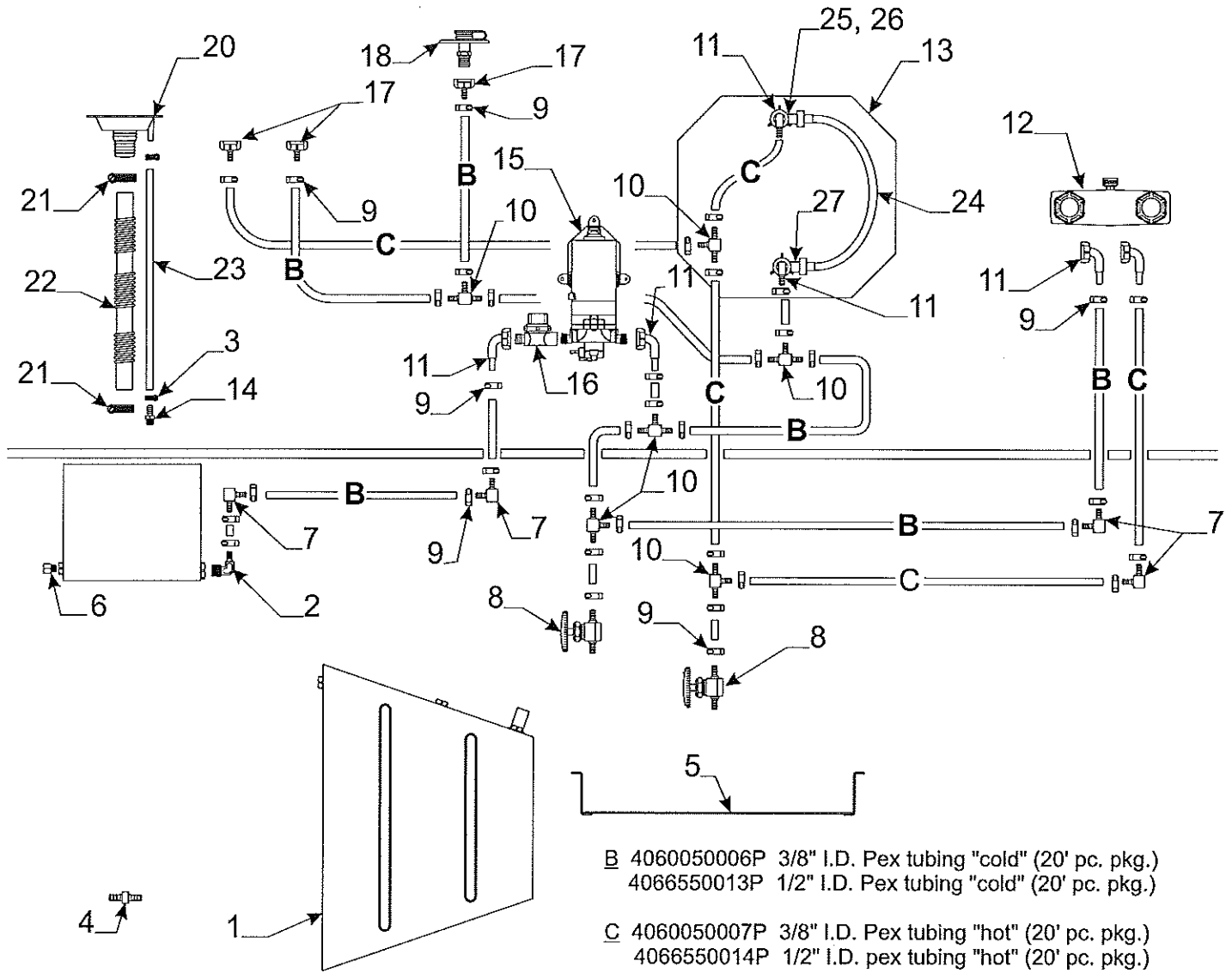
Flat Rate	Seat Bench Component Parts - E1, E2, E3	Code	Part #	Description
.30	1	6010415698P	universal wall panel 48" x 48"	
	2	4734J1861	rivet m25	
		1202B0268	washer	
.65	3	4060115606P	5/32" f-channel 48" pc. m2	
.50	4	4060015605P	5/32" u-channel 48" pc. M2	
*	5	4752A8461	thermostat	
.20	6	4701-2341	plastic base & bracket	
	7	4701-514	bench frame x2 - 4147 E1	
		4701-705	bench frame x2 - 4144 E2	
		4702-515	glide-out bench frames x2 - 4137 E3	
.25	8	4753B9171	lp gas detector "black"	
	9	4702A1071	door panel 12" x 16" - 4137 E3	
.10	10	4755B2681	door pull "pewter"	
.10	11	4739C0511	hinge	
.40	12	4702-5191	metal flip-up backrest x2	
	13	4767-845	hat bracket x2	
	14	4064700037P	large gimp "black" (20' pc. pkg.)	



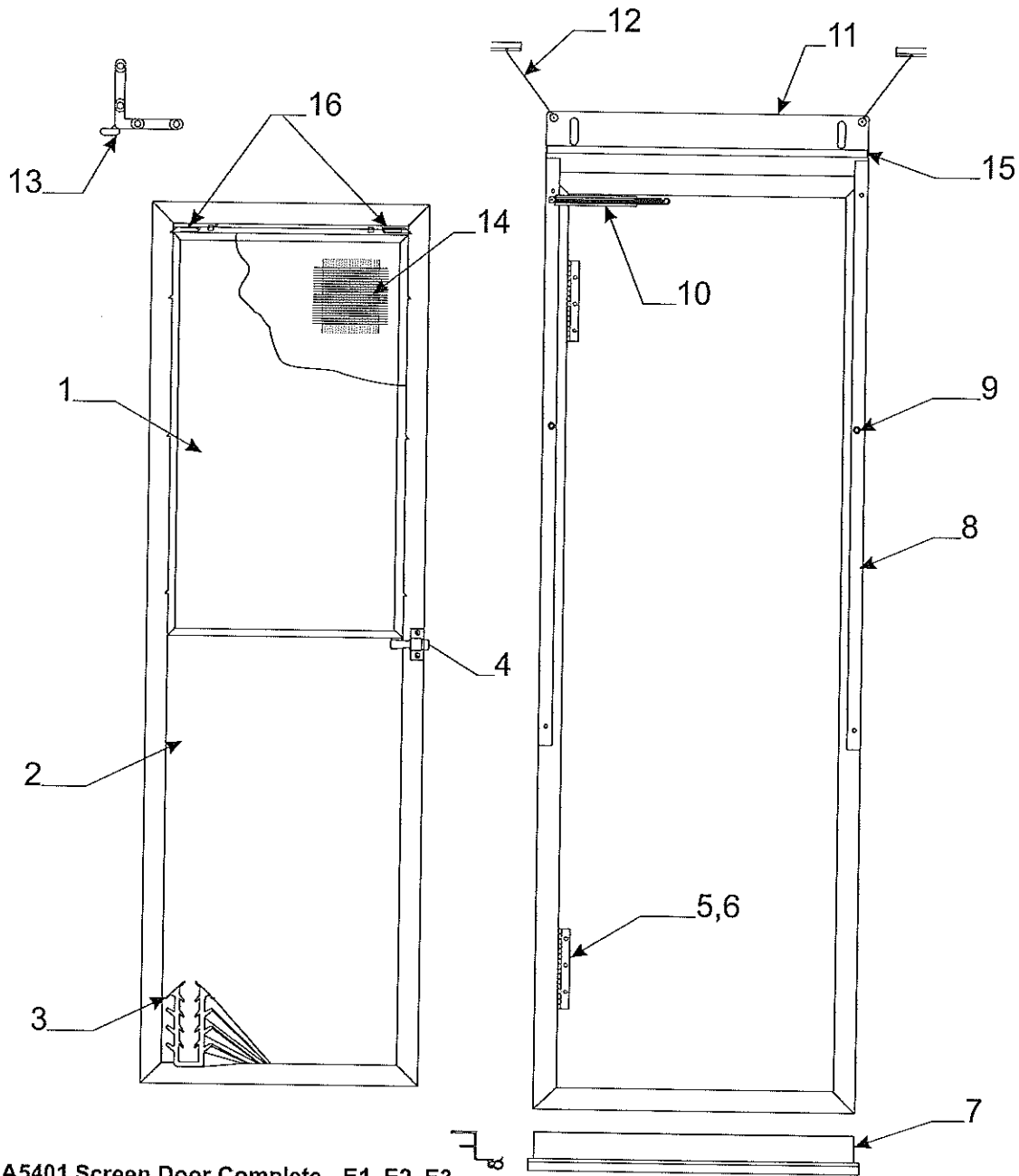
- E1 - 4701A5391 Front Bed Assy. "Complete" F.R. - .75
- E1, E2 - 4701A5711 Rear Bed Assy. "Complete" F.R. - .75
- E2 - 4701A7281 Front Bed Assy. "Complete" F.R. - .75
- E3 - 4702-5411 Front Bed Assy. "Complete" F.R. - .75
- E3 - 4702-5421 Rear Bed Assy. "Complete" F.R. - .75

Flat Rate	Code	Part #	Description
**	1	4716U4031	bed extension (x2 per bed)
<b>Note: must cut bed extension to size where applicable</b>			
.25	2	4714C1901	tent bow/leg package
.25	3	4060400339P	vinyl bed seal "gray" (8' pc. Pkg.)
.15	4	4720K5631	bed bow bracket M2
.05		4757-9241	1 1/2" nylon fender washer m4
.20	5	4759B5901	bed leg assy. m2 (x2 front bed) E1, E2, E3
.20		4702-5581	bed leg assy. m2 (x2 rear bed) E1, E2
.30		4759A5871	bed leg assy. m2 (x2 rear bed) E3
.15	6	4757-4331	bed leg clip
		1203-8831	rivet m25 (rivet clip to bed)
.15	7	4720D4021	lashing hook m6
		1203-8741	rivet m25 (rivet hook to bed)
.20	8	4757-4471	slotted support channel
		4714-4521	mounting screws (pkg. of 3 each)
<b>Pkg. includes screws, washers, plastic caps and washers</b>			
	9	1203C8721	rivet m25
.20	10	1034B16128	flat head screw
		1201B6378	lock nut
.20	11	4758-9481	pull-out handle strap & rivets
		4758-8001	rivet "black" m25
.50	12	4758-8301	bed end retainer track & rivets
.20	13	4755A2591	bed brkt. w/mounting hardware x4
	14	4739-2298	lock nut
.50	15	4754-8101	bed roller, nut, bolt, & washer pkg.
	16	1202B2908	washer
.15	17	4754-8631	bed slide end cap
.15	18	4754-4821	bed slide wedge

\*\* .50 first extension  
 \*\* .25 second extension



Water System & Related Parts							
Flat Rate	Code	Part #	Description	FR	Code	Part #	Description
1.50		4757B0471	water tank E1, E2, E3	.50	12	4741B2071	shower diverter
.25	2	4741C2371	3/8" x 1/2" elbow "plastic"	*	13	4750-3421	water heater
.25		4741A2378	1/2" x 1/2" elbow "plastic"	.15	14	4732B4561	hose adapter
	3	4731-3058	adjustable hose clamp 3/8"	.50	15	4741F5571	electric water pump
	4	4755-4821	3/8" brass barbed union m10	.25	16	4747A8311	water filter
.20	5	4758-5381	tank hanger x2 (all)	.20	17	4741A9561	3/8" straight swivel adapter
.15	6	1218-7001	plug	.20	18	4765-2321	1/2" straight swivel adapter
.25	7	4741C2391	3/8" x 3/8" brass elbow m2	.30	19	4732F1521	city fill
.25		4765-2341	1/2" x 1/2" brass elbow	.20	20	4757-3631	brass adapter 3/8" barb
.20	8	4741E2361	3/8" brass line drain "Pex"	.30	21	4731D1711	fill spout
.20		4765-2311	1/2" brass line drain "Pex"		22	4715-4501	adjustable hose clamp
.25	9	4741A2751	3/8" ss clamp m100	.35	23	4731H1081	water fill hose (3' pc.)
.25		4765-2351	1/2" ss clamp m100	.20	24	4060050003F	1/2" h.p. hose (sold/ft.)
25	10	4741C2381	3/8" brass tee "Pex" m10		25	4767-1381	nylon bypass hose 8"
25		4765-2331	1/2" brass tee "Pex"		26	4767-1371	1/2" MPT brass tee
.20	11	4741B9061	3/8" copper swivel elbow		27	4767-1391	brass check valve
.20		4765-2361	1/2" copper swivel elbow			4767-1401	3 way MPT shut off valve

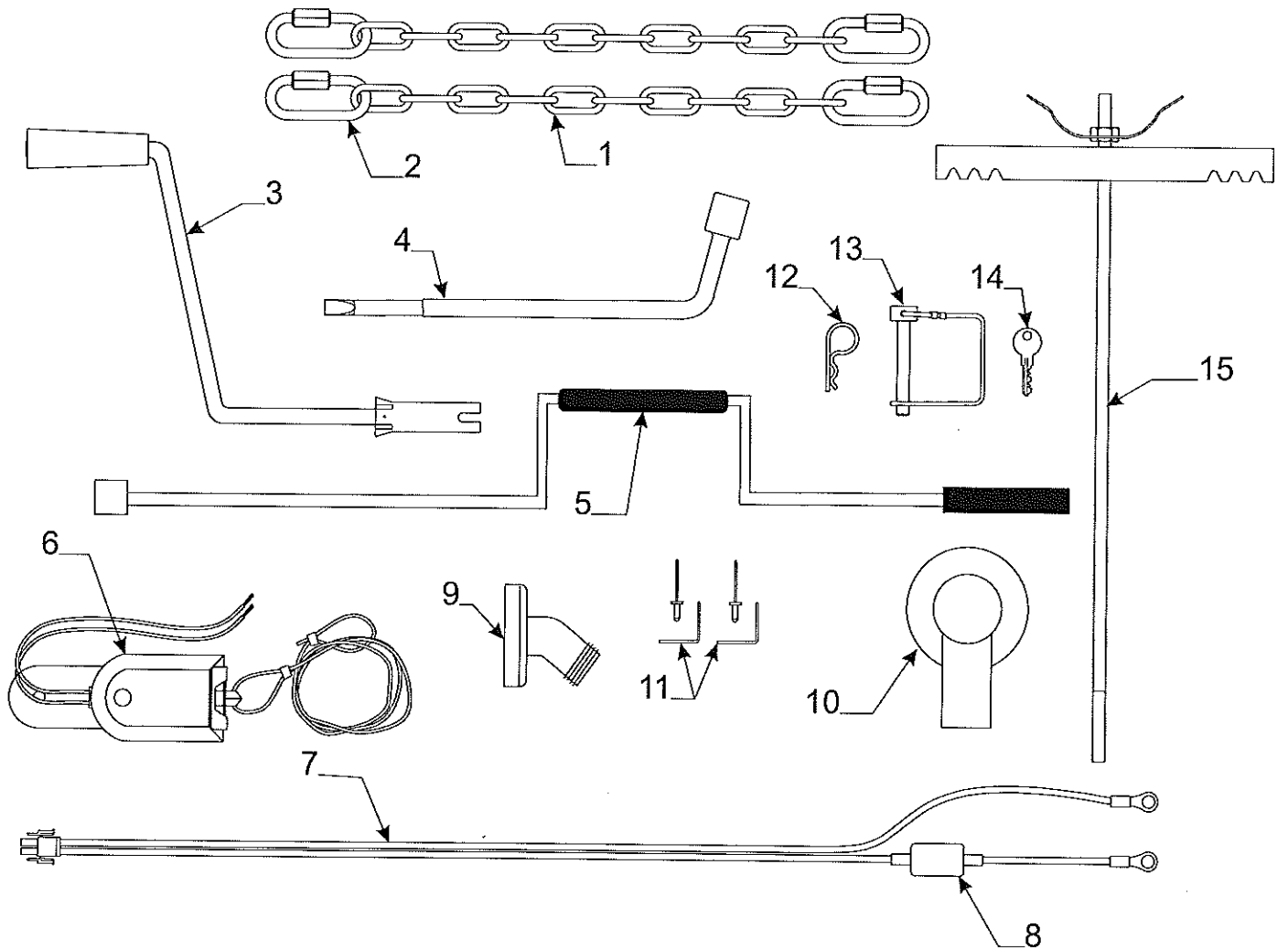


**4701A5401 Screen Door Complete - E1, E2, E3**

.30 Flat Rate Screen Door Complete

Note: parts marked w/\* asterisk are not included w/screen door

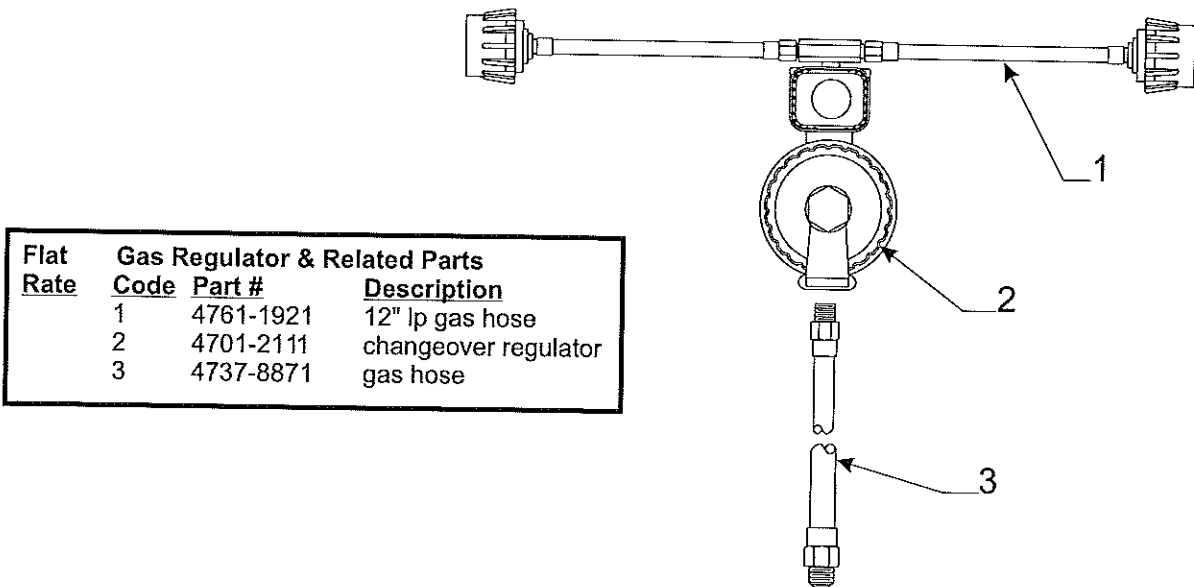
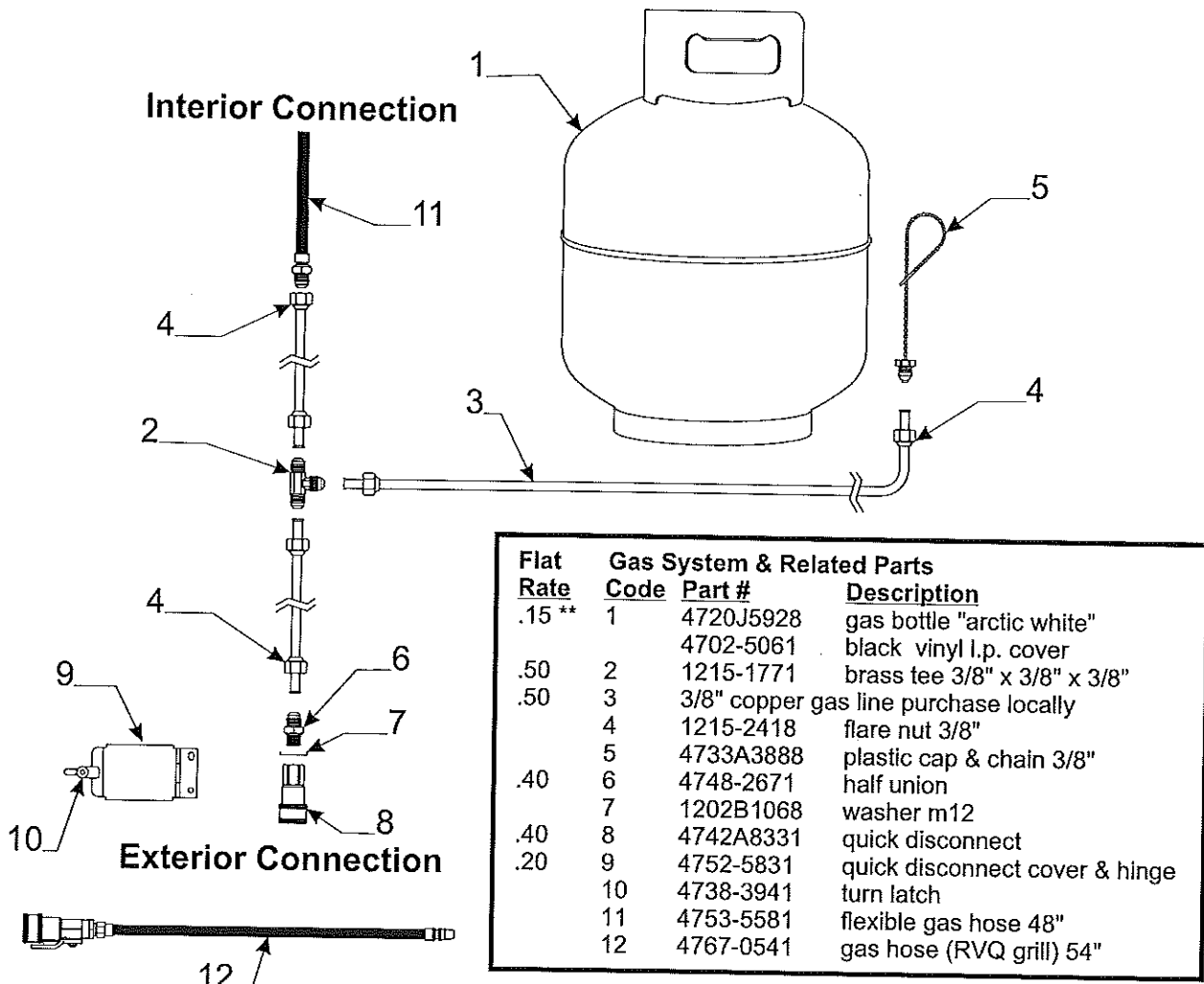
Flat Rate	Code	Part #	Description	Flat Rate	Code	Part #	Description
.10	1	4713-0141	top sliding window pane	.05	9	4730A3548	stud w/screw x2
.40	2	4701A1601	stationary window pane	.20	10	4731A8201	spring package
.15	3	4060000086F	rubber seal (sold/foot)	.30	11	4758C0571	top bracket
Note: around perimeter of window pane				.15	12	4734D5211	cable assy. m6
.15	4	*4742-9671	door latch assembly	.50	13	4710-3791	corner brace hinge m2
.15	5	4720C3601	hinge x2		14	4716-1381	screened stationary pane
	6	1203-8641	rivet m25	.75		4716-1111	screening 36" x 18 1/2"
.25	7	*4747B5621	screen door support	.10	15	4060000023P	d-seal "white" (5' pkg.)
		*4060000399F	rubber seal (sold/foot)	.50	16	4716-3811	window lock pkg. rt./lt.
.20	8	4754-3811	vel-stick (pkg. of 2)				

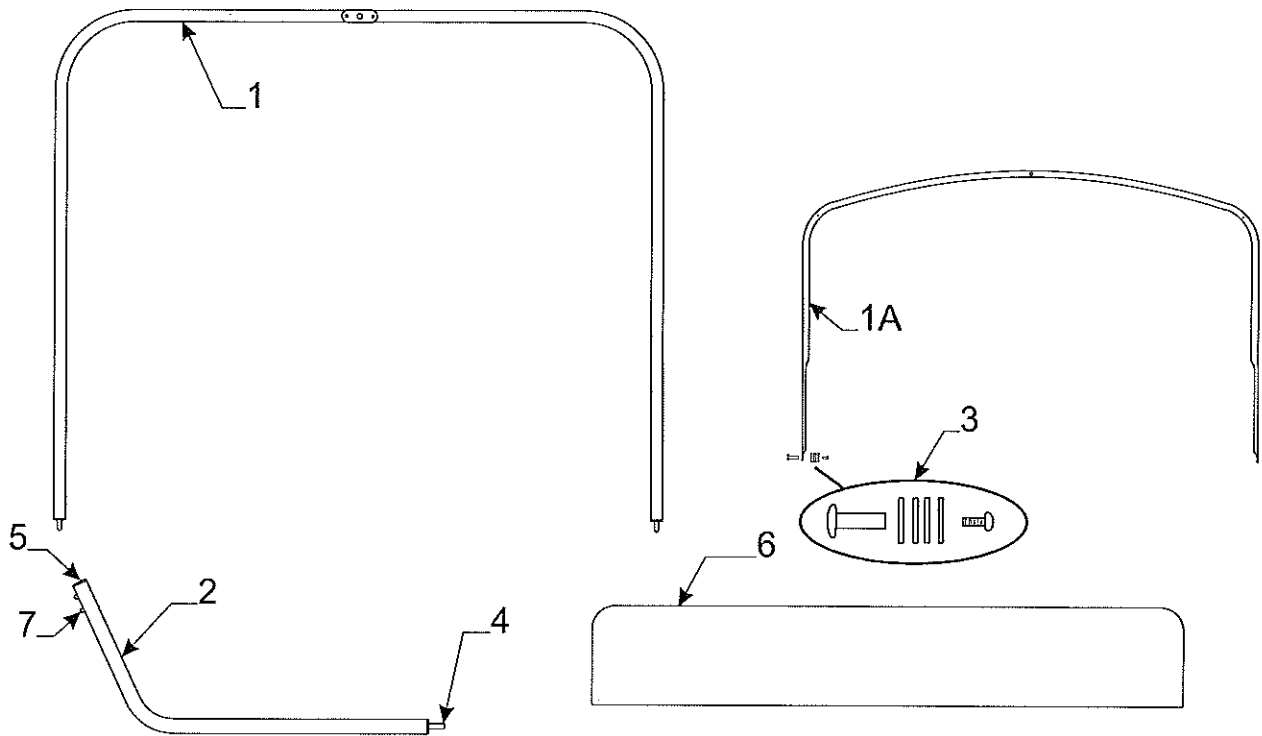


**4701B5511 Parts Package - E1, E2, E3**

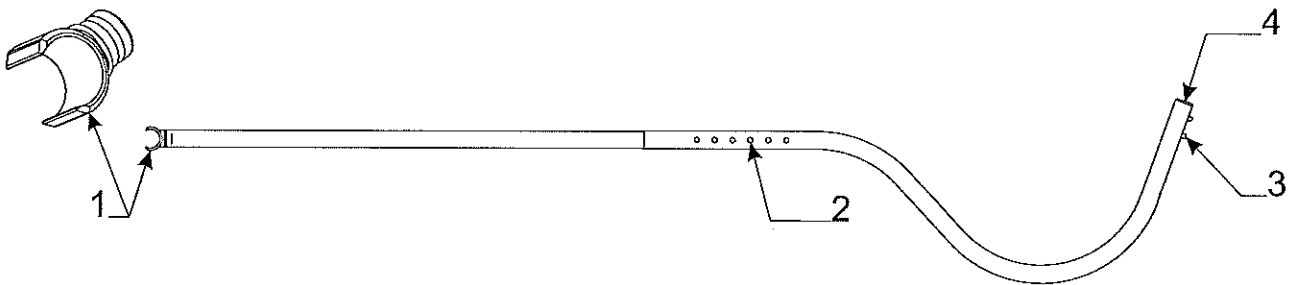
Parts Package Component Parts		
Code	Part #	Description
1	4757-3901	safety chains w/quick links m2
2	4757-3891	quick link (sold/signally)
3	4747G4141	crank handle
4	4749A1861	lug nut wrench
5	4761-2401	stabilizer crank
6	4746-0401	breakaway switch
7	4749B5531	battery harness w/15 amp breaker
8	4751-4811	15 amp circuit breaker
9	4737-9138	drain adapter
10	4734C3781	regulator cover
11	4753E6781	battery angle pkg.
12	4732A4791	safety pin m10
13	4702-3821	wire lock pin
14	4730B3211	key m10 #8025 (gold plated)
15	4772B9521	gas bottle hold down kit

**\*\* Serial Number Of Gas Bottle Must Be Supplied When Submitting Warranty**





Tip-Out/Glide-Out Tent Bow - 4144 E2, 4137 E3			
Flat Rate	Code	Part #	Description
.10	1	4759A5761	tip-out tent bow assy. - 4144 E2
.10	1A	4756C2071	glide-out tent bow - 4137 E3
.05	2	4759B5751	tip-out tent support - 4144 E2
.05		4773B5131	glide-out tent support - 4137 E3
.10	3	4716-4451	glide-out bow mounting pkg.
.20	4	8470-1728	black pin m10
.10	5	4752A0561	tube closure "black" m2
.10	6	4757-4281	tip-out support board 4144 E2
.10	7	4734A6708	spring assy.



Tent Support Components			
Flat Rate	Code	Part #	Description
.20	1	4757-4301	tent support clasp m10
.10	2	4734-6708	spring assy.
.10	3	4734A6708	spring assy.
.10	4	4752A0561	tube closure "black" m2

Tent Support Assemblies (Complete)		
Flat Rate .10 per Tent Support		
Model	Front Bed	Rear Bed
4147 E1	4759A6891	4769B5641
4144 E2	4769B5641	4759A6891
4137 E3	4772B6021	4772B6021

**Dinette Area Cushion/Backrest Assemblies & Covers - 2007 Evolution Series Flat Rate .10 Assembly - .25 Cover**

<u>Model</u>	<u>Cushion Assembly</u>	<u>Cushion Cover</u>	<u>Model</u>	<u>Backrest Assembly</u>	<u>Backrest Cover</u>
4147 E1	4701B5441	4713B5441	4147 E1	4701A5431	4713A5431
4144 E2	4701A7151	4713A7151	4144 E2	4701A7161	4713A7161
4137 E3	4702-5461	4714-5461	4137 E3	4702-5451	4714-5451

**CS Bench Cushion/Backrest Assemblies & Covers**

Plastic Cushion Button x2 - 4710-2681 m5

<u>Model</u>	<u>Cushion Assembly</u>	<u>Cushion Cover</u>	<u>Model</u>	<u>Backrest Assembly</u>	<u>Backrest Cover</u>
4137 E3	4702-1611	4715-1611	4137 E3	4702-1601	4715-1601
Dimensions - 47" x 25" x 4"			Dimensions - 47" x 14" x 3"		

**Dinette Cushion/Backrest Dimensions**

<u>Model</u>	<u>Cushion Assembly</u>	<u>Model</u>	<u>Backrest Assembly</u>
E1	41" x 17" x 4"	E1	40" x 15 1/2" x 3"
E2	39 1/4" x 17 1/2" x 4"	E2	39 1/4" x 16 3/4" x 3"
E3	43 1/4" x 19 3/8" x 4"	E3	42 1/4" x 15 5/8" x 3"

**Drape Package - 4147 E1, 4144 E2, 4137 E3**

Note: Package includes privacy curtains

<u>Drape Pkg.</u>	<u># Of Panels</u>	<u>Flat Rate</u>
4701B5461	8	.30
4701A7801	8	.30
4702-5621	8	.30

Drape Tab C-Shape m60 - 4750-2891 Flat Rate - .05

**Privacy Curtain Pkgs. (Set of 2 Panels)**

.15 4713B5461

**Single Drape Panel w/Safety Straps**

.15 4713E1241	Single Drape Panel 24" x 47" - E1
.15 4713E1401	Single Drape Panel 40" x 47" - E1
.15 4713E3291	Single Drape Panel 29" x 47" - E2
.15 4713E2211	Single Drape Panel 21 1/2" x 47" - E2, E3
.15 4713E2321	Single Drape Panel 33" x 47" - E3

**Drape Tie Package (Qty. 1) 4701-5471 Flat Rate - .05**

4724A2011 shock cord termination (plastic hook) m10

**Shower Curtain - 4144 E2, 4137 E3**

.15 4757-7301 - shower curtain - white vinyl

**Flat Rate .50 per cover', .05 Assy.**

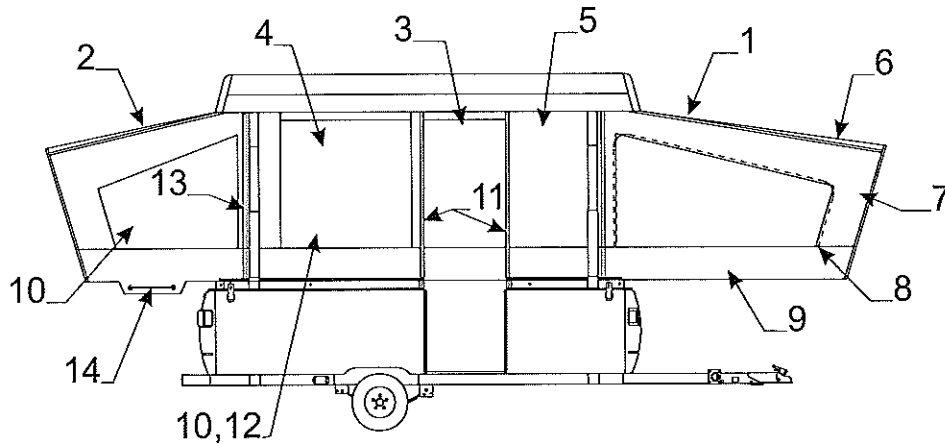
**Mattress Assemblies & Covers - E1, E2, E3**

	<u>Matt. assy. front</u>	<u>Matt. Cover front</u>
4147 E1	4701A1641	4714A1641
4144 E2	4701A1631	4714A1631
4144 E3	4702-1441	4714-1441
	<u>Matt. assy. rear</u>	<u>Matt. Cover rear</u>
4147 E1	4701A1631	4714A1631
4144 E2	4701A1641	4714A1641
4144 E3	4702-1441	4714-1441

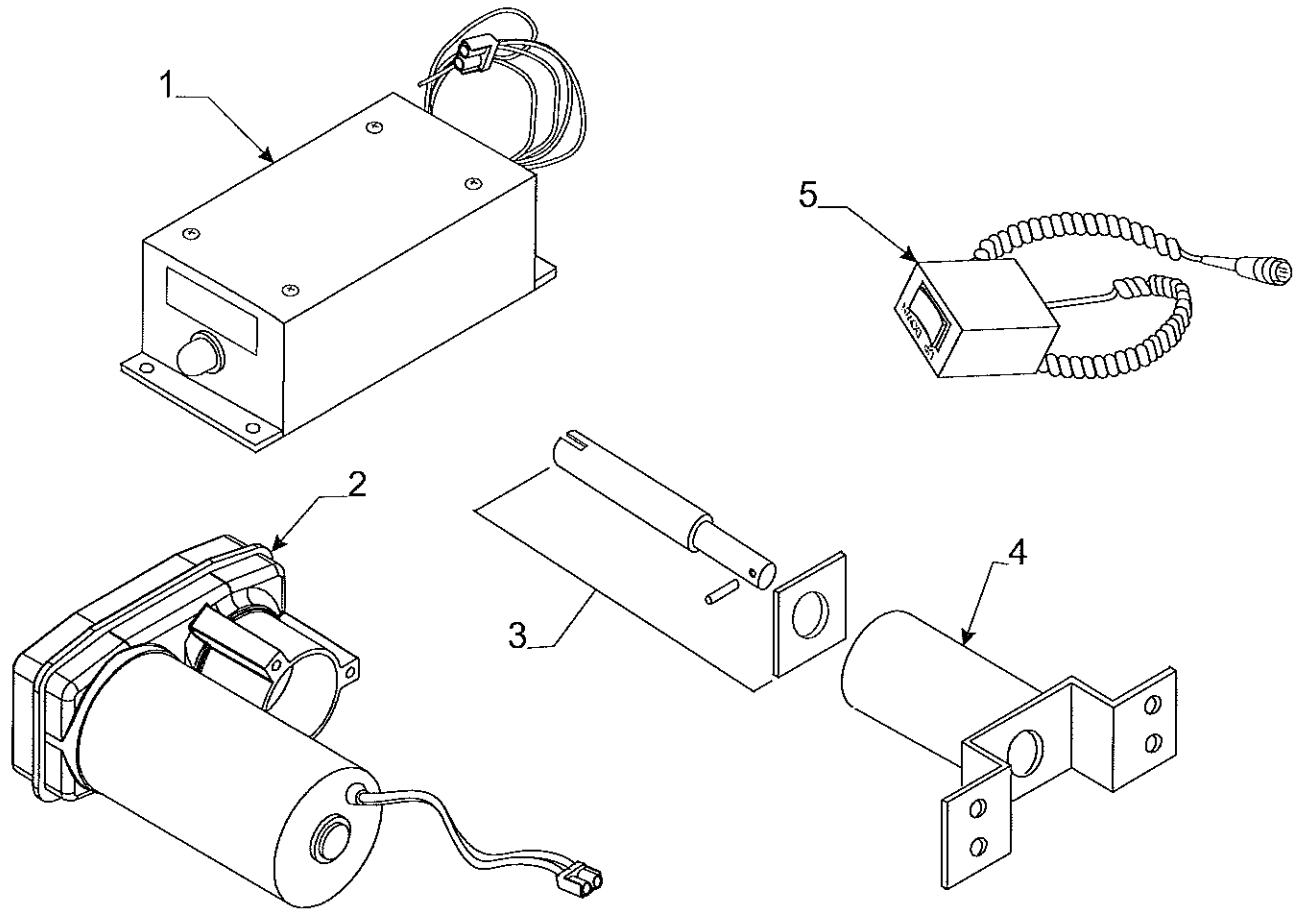
**Mattress Assembly Dimensions**

	<u>Front</u>	<u>Rear</u>
4147 E1	77" x 48" x 3 1/2"	77" x 66" x 3 1/2"
4144 E2	77" x 66" x 3 1/2"	77" x 48" x 3 1/2"
4144 E3	77" x 70"	77" x 70"

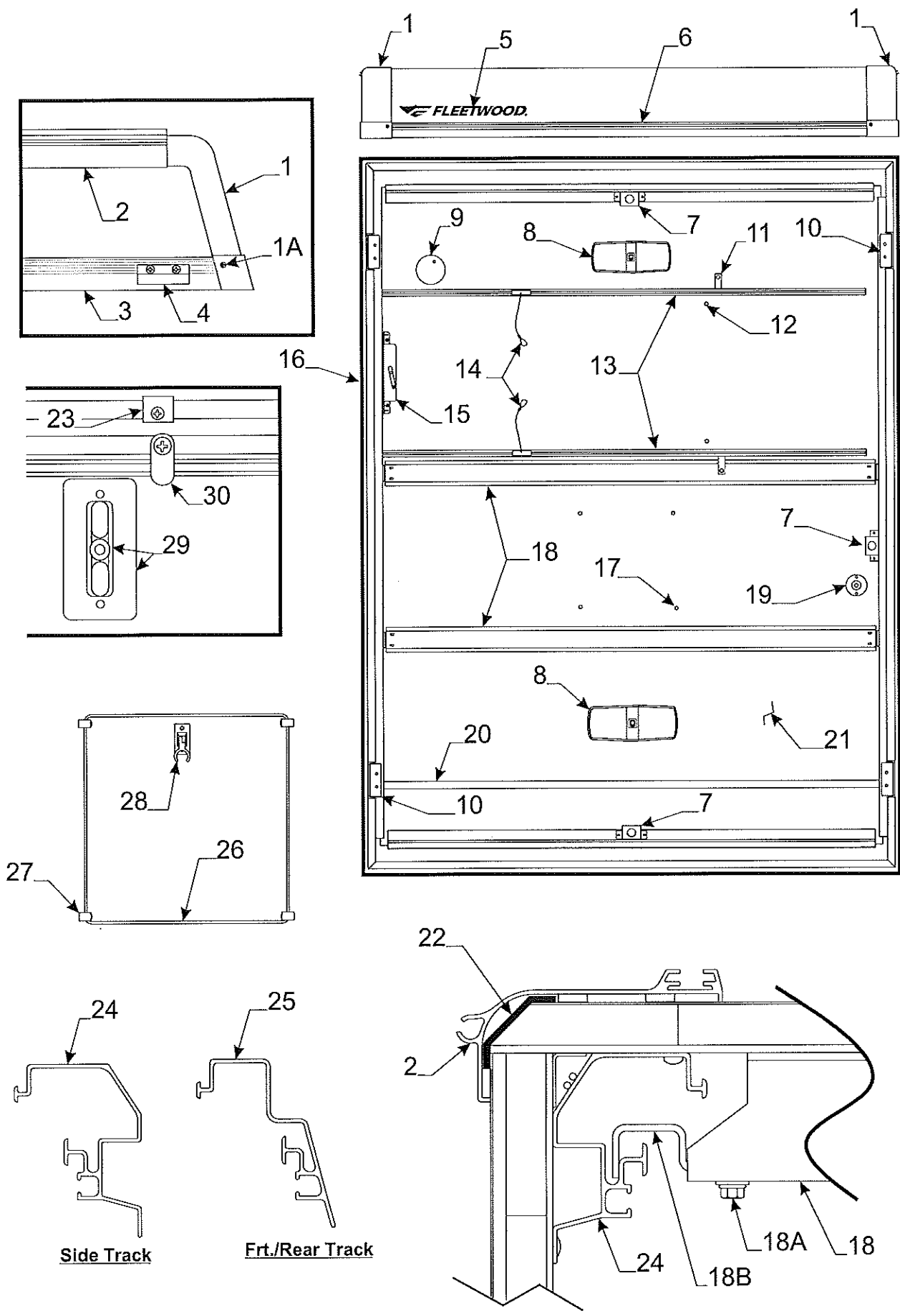


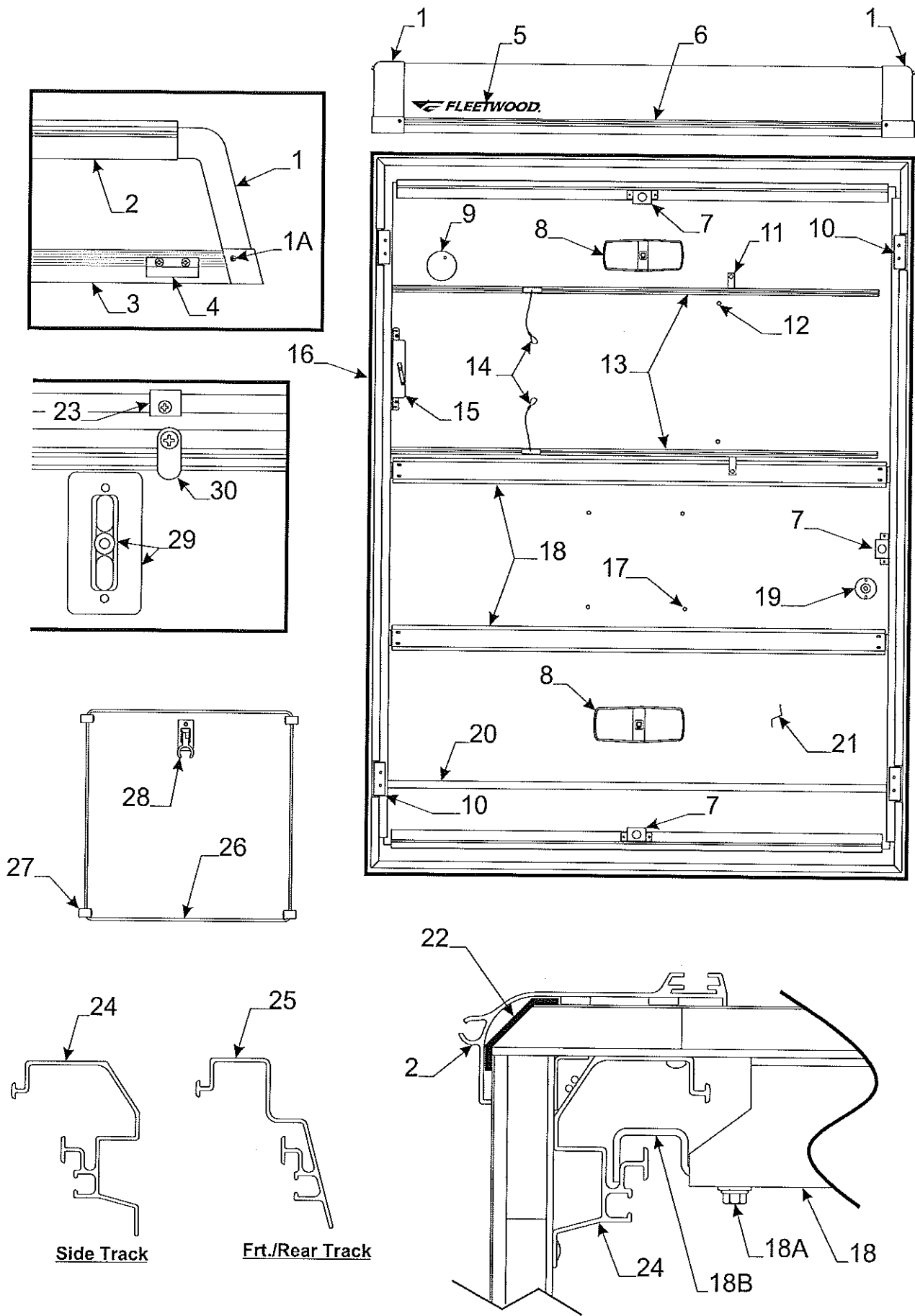


Tent Sections & Related Parts - 4147 E1, 4144 E2, 4137 E3			
Flat Rate	Code	Part #	Description
.50	1	4701B5521	double boot (used on frnt. of E1, rear of E2)
.50		4702-5561	front king boot 4137 E3
.50	2	4701B5561	queen boot (used on frnt. of E2, rear of E1)
.50		4702-5561	rear king boot 4137 E3
.20	3	4701A5541	large window 4147 E1
.20		4701A7361	large window 4144 E2
.20		4702-5551	large window 4137 E3
.20	4	4701A5531	small window 4147 E1
.20		4701A7341	small window 4144 E2
.20		4702-5531	small window 4137 E3
.15	5	4701A5551	door seal 4147 E1
.15		4701A7351	door seal 4144 E2
.15		4702-5541	door seal 4137 E3
	6	8118501430P	top vinyl pkg. (85" x 3 yards)
	7	4716C0851	sunbrella patch package (12" x 14")
	8	6650500131F	zipper (sold/yard) used around window
		1225A4461	zipper pull m5
	9	8118001440P	black bottom vinyl facing pkg. (3 yd. x 80")
	10	4714E1611	screen package (84" x 3 yards)
		4714A0361	screen package (84" x 13 yards)
	11	4350000009P	1" velcro hook (10' pc. Pkg.)
	12	4716-2401	clear window vinyl (41" x 2 yards)
	13	1225-3678	47 1/2" side zipper pin half
		1225-3688	47 1/2" side zipper slider half
.50	14	4060000245CP	shock cord (150' package)
.50		4714C6021	shock cord & hooks m2 (two 14' lengths)
.15		4724A2011	shock cord termination (plastic hook) m10
	15	4060000024F	arrowhead seal (sold/foot)
.30	16	4735D6721	extension harness
.50	17	4743-1588	k-kote seam sealer
	18	4728-5641	tent retainer pkg.
.30	19	4710-1011	vinyl daubing "gray" m2
.30		4713-0311	vinyl daubing "black"



Power Lift Components				
Flat Rate	Code	Part #	Description	
.25	1	4768-0681	current limiter w/round 3 prong jack	
.25		4768A0681	current limiter w/head phone jack	
1.50	2	4767-6461	power head motor	
1.50	3	4768-0851	6" adapter, pin & square washer	
1.50	4	4768-0671	mounting weldment	
.05	5	4768-0691	hand controller w/round 3 prong plug	
.05		4768A0691	hand controller w/head phone plug	





4701A5111 Top Assembly 4147 E1  
 4701A7251 Top Assembly 4144 E2  
 4702-5571 Top Assembly 4137 E3

3.00 Top Replacement | 1.50 For A/C | 1.00 For Crossbars | .50 For Disposal

<u>Flat Rate</u>	<u>Code</u>	<u>Part #</u>	<u>Description</u>
.50	1	4713-9031	plastic corner cap csf/rsr (1 cap per pkg.)
.50		4713-9021	plastic corner cap rsf/csr (1 cap per pkg.)
		4356500043P	butyl tape 1" x 3/16" (20' pc.)
		4350000084	foam tape 1/2" wide x 1/4" thick (sold/foot)
		4759-1401	flat head screw 3/4" "stainless steel" m12
	1A	4767-9581	flat head tek screw 3/4" "black" x2
	2	4702A175	canopy/rack track extrusion 4147 E1
		4702A229	canopy/rack track extrusion 4144 E2
		4702B232	canopy/rack track extrusion 4137 E3
	3	4702A170	side seal extrusion 4147 E1
		4702B227	side seal extrusion 4144 E2
		4702A230	side seal extrusion 4137 E3
.15	4	4701-0481	top strike m2
		4701A0531	2" torx head screw "painted" m2
		1201B6958	nut (x2 per strike)
		4702-3811	strike foam gasket "black" m4
.25	5	4761-1958	Fleetwood logo
	6	4702-1761	end seal extrusion frt./rear (all)
	7	4767A9081	tent support bracket x2
		4733F4136	screw
.15	8	4744E4741	double dome light
.15		4737K5911	single dome light
		4758-1361	light lens
		1103B1028	screw x4
.15	9	4767A4641	carbon monoxide detector
	10	4767-7001	lift pocket x4
		1201B6378	lock nut 1/4-20
.15	11	4723A5061	strap x2
	12	4730A3548	stud w/screw x2
.30	13	4733H47181	screen door track x2
		4744B4611	expansion rivet m25
.15	14	4734D5211	screen door cable m6
.20	15	4749C5571	screen door bracket
		4747-2558	expansion rivet m25
		4749-2138	snap button m2
		1203-8631	rivet m25
.50	16	4060100399P	rubber top seal "sides" (40' package)
.50		4060100398P	rubber top seal "frt./ rear" (16' package)
	17	1203-9258	plastic accordion rivet m25
	18	4800-4811	a/c brace
	18A	4738A0898	hex bolt
		1202E0408	washer
	18B	4800-6861	a/c brace mounting bracket x2
	19	4756A8291	aux. light jack w/rivets
.20	20	4350400004F	vinyl seam tape (sold/foot)
	21	6009435020P	ceiling panel 4' x 8' sheet
	22	4350000047	1/8" x 2 1/2" eterna-bond tape (sold/roll)
.05	23	4750-2891	drape tab c-shape m60
	24	4767-911	side tent/drape track (must cut to size)
	25	4767-910	frt./rear tent/drape track (all)
.10	26	4755A5231	shower curtain rod - E2, E3
.20	27	4755-5211	shower rod strap x4 - E2, E3
.15	28	4767-0111	shower head brkt. - E2, E3
.15	29	4743A2501	screen door latch & plate pkg. (2 per pkg.)
.20	30	4728A5641	tent retaining pkg.

4701A5111 Top Assembly 4147 E1  
 4701A7251 Top Assembly 4144 E2  
 4702-5571 Top Assembly 4137 E3

3.00 Top Replacement | 1.50 For A/C | 1.00 For Crossbars | .50 For Disposal

<u>Flat Rate</u>	<u>Code</u>	<u>Part #</u>	<u>Description</u>
.50	1	4713-9031	plastic corner cap csf/rsr (1 cap per pkg.)
.50		4713-9021	plastic corner cap rsf/csr (1 cap per pkg.)
		4356500043P	butyl tape 1" x 3/16" (20' pc.)
		4350000084	foam tape 1/2" wide x 1/4" thick (sold/foot)
		4759-1401	flat head screw 3/4" "stainless steel" m12
	1A	4767-9581	flat head tek screw 3/4" "black" x2
	2	4702A175	canopy/rack track extrusion 4147 E1
		4702A229	canopy/rack track extrusion 4144 E2
		4702B232	canopy/rack track extrusion 4137 E3
	3	4702A170	side seal extrusion 4147 E1
		4702B227	side seal extrusion 4144 E2
		4702A230	side seal extrusion 4137 E3
.15	4	4701-0481	top strike m2
		4701A0531	2" torx head screw "painted" m2
		1201B6958	nut (x2 per strike)
		4702-3811	strike foam gasket "black" m4
.25	5	4761-1958	Fleetwood logo
	6	4702-1761	end seal extrusion frt./rear (all)
	7	4767A9081	tent support bracket x2
		4733F4136	screw
.15	8	4744E4741	double dome light
.15		4737K5911	single dome light
		4758-1361	light lens
		1103B1028	screw x4
.15	9	4767A4641	carbon monoxide detector
	10	4767-7001	lift pocket x4
		1201B6378	lock nut 1/4-20
.15	11	4723A5061	strap x2
	12	4730A3548	stud w/screw x2
.30	13	4733H47181	screen door track x2
		4744B4611	expansion rivet m25
.15	14	4734D5211	screen door cable m6
.20	15	4749C5571	screen door bracket
		4747-2558	expansion rivet m25
		4749-2138	snap button m2
		1203-8631	rivet m25
.50	16	4060100399P	rubber top seal "sides" (40' package)
.50		4060100398P	rubber top seal "frt./ rear" (16' package)
	17	1203-9258	plastic accordion rivet m25
	18	4800-4811	a/c brace
	18A	4738A0898	hex bolt
		1202E0408	washer
	18B	4800-6861	a/c brace mounting bracket x2
	19	4756A8291	aux. light jack w/rivets
.20	20	4350400004F	vinyl seam tape (sold/foot)
	21	6009435020P	ceiling panel 4' x 8' sheet
	22	4350000047	1/8" x 2 1/2" eterna-bond tape (sold/roll)
.05	23	4750-2891	drape tab c-shape m60
	24	4767-911	side tent/drape track (must cut to size)
	25	4767-910	frt./rear tent/drape track (all)
.10	26	4755A5231	shower curtain rod - E2, E3
.20	27	4755-5211	shower rod strap x4 - E2, E3
.15	28	4767-0111	shower head brkt. - E2, E3
.15	29	4743A2501	screen door latch & plate pkg. (2 per pkg.)
.20	30	4728A5641	tent retaining pkg.