



**2007**

**Element Series**

**Repair Parts Catalog**

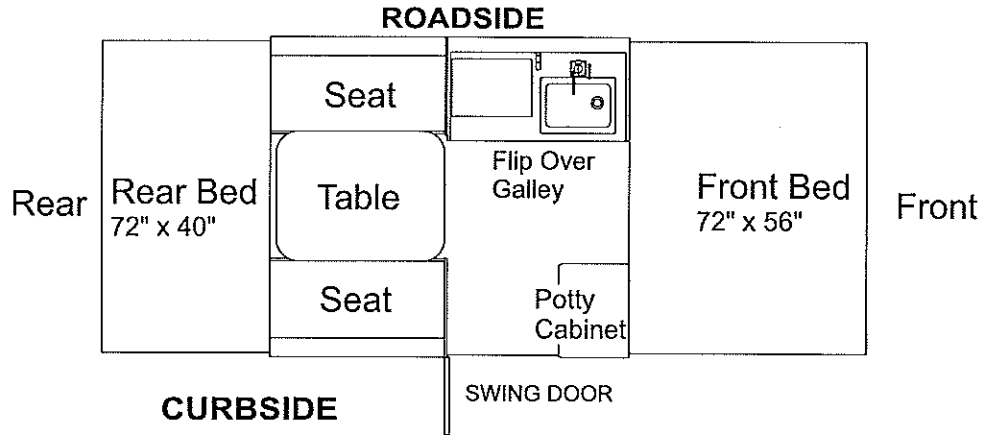
4128 Cobalt 8'

4129 Graphite 10'

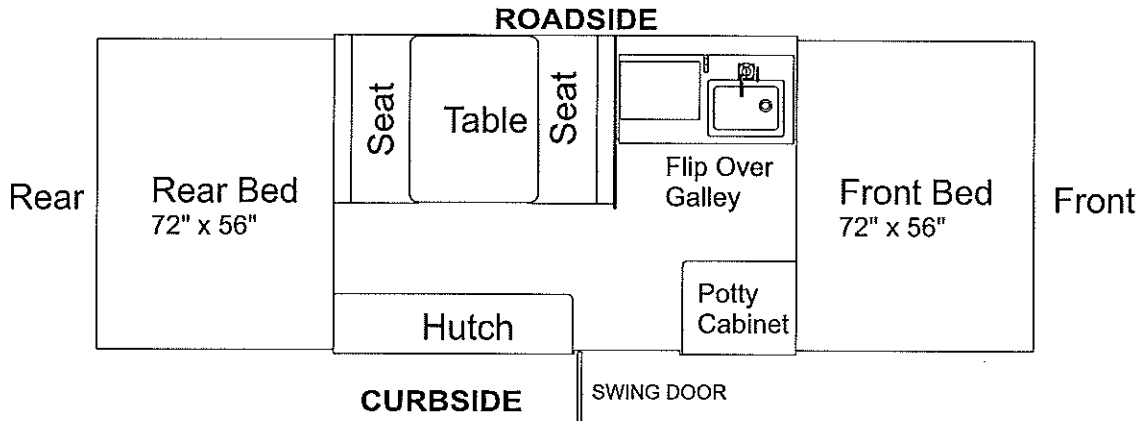
4139 Neon 6'

# 2007 ELEMENT SERIES

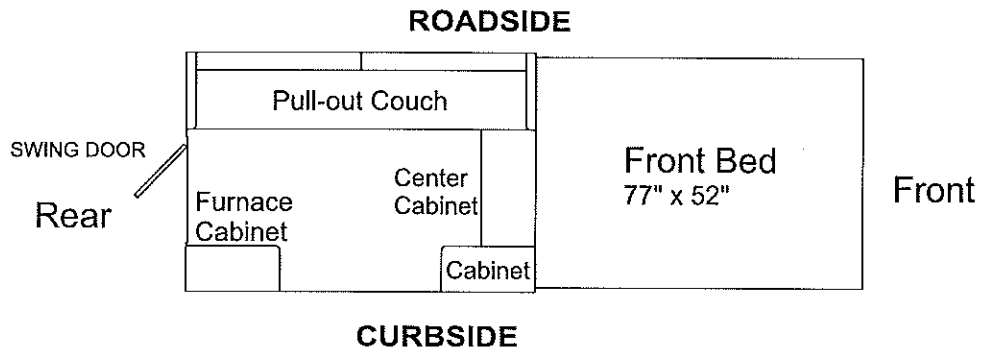
## 4128 Cobalt 8'



## 4129 Graphite 10'



## 4139 Neon 6'

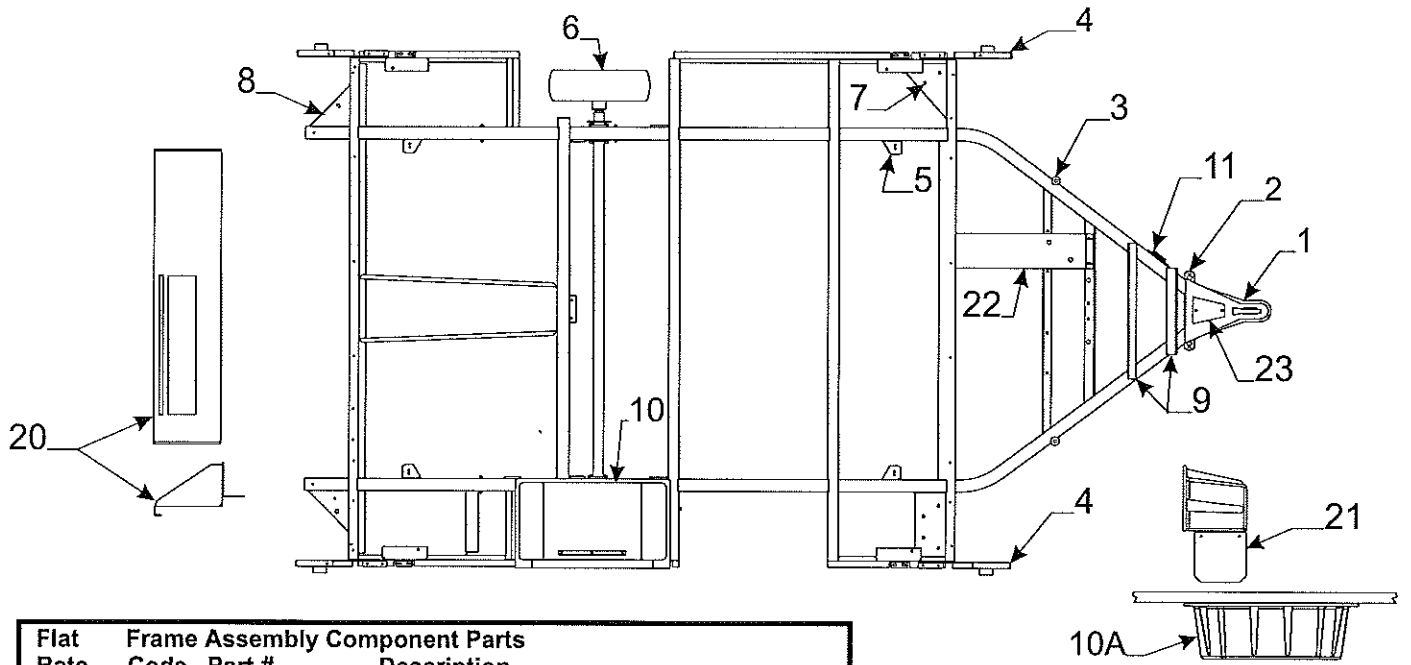


## TABLE OF CONTENTS

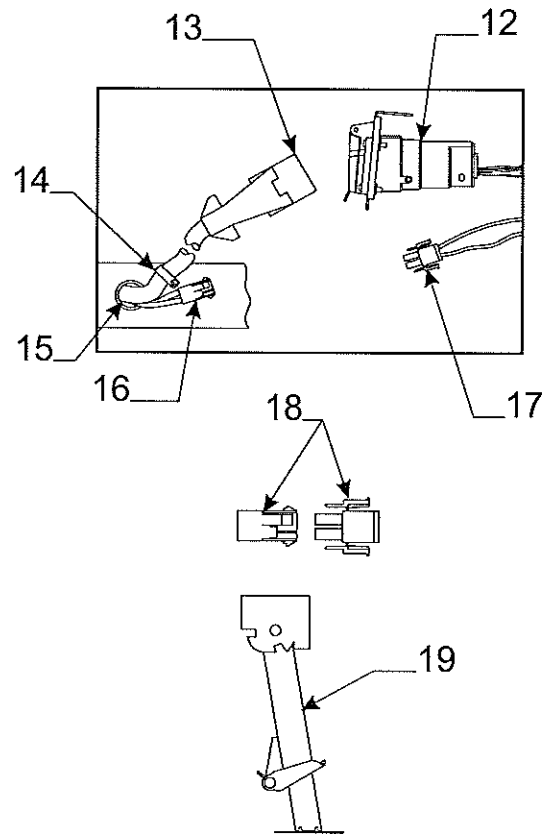
<u>DESCRIPTION</u>	<u>PAGE</u>
Access door key .....	26
Access door assembly & related parts .....	10
Auto extension .....	24
Axle assemblies & related parts .....	3
Backrest assemblies & covers .....	23
Bed assy components "frt. bed" - Neon .....	20
Bed assy components - Cobalt, Graphite .....	21
Bed extensions & related parts .....	20
Body panel curbside rear - Cobalt, Graphite .....	7
Body panel roadside - Cobalt, Graphite .....	11
Body panel front & rear - Cobalt, Graphite .....	6
Body panel curbside front - Cobalt, Graphite .....	7
Body panel front/rear - Neon .....	8
Body panel curbside/roadside - Neon .....	9
Bumper & related parts .....	6
Cabinet assembly (csf corner cabinet) .....	15
Cabinet assy. csf/csr corner - Neon .....	17
Cabinet frt. center cabinet - Neon .....	16
Cabinet/hutch assembly csr - Graphite .....	15
Carbon monoxide detector .....	28, 29
Caulking .....	24
Converter & related parts .....	18
Converter storage door (Scorpion) .....	20
Coupler assembly .....	2
Crank-up/crank-down components .....	4
Crank handle .....	26
Cushion assemblies & covers .....	23
Door bulkheads .....	8, 10
Drain assy./drain hose (used on sinks) .....	12
Drape packages & related parts .....	23
Electric brakes & related parts .....	3
Fender "plastic - Neon .....	2
Fire extinguisher & components .....	15
Floor covering .....	2
Frame assembly & related parts .....	2
Furnace vent .....	11
Galley components - Cobalt, Graphite .....	14
Gas detector .....	18
Gas hose (gas bottle hook-up) .....	27
Gas hose (RVQ grill) .....	27
Gas hose (outside grill hook-up) .....	27
Gas bottle mounting brackets .....	26
Gas quick disconnect (outside gas hookup) .....	27
Gas bottle cover (black vinyl) .....	27
Gas bottle & related parts .....	27
Grease cap (dust cap) .....	3
Heater vent (metal) .....	14
Hub assembly & related parts .....	3
Hutch assembly "curbside" - Graphite .....	15
Kill switch .....	14, 17
Lift assemblies & related parts .....	5
Lift trim & miter covers .....	7, 8, 11
Lug wrench .....	26
Mattress assemblies & covers .....	23
Mud flaps - Neon .....	2

<u>DESCRIPTION</u>	<u>PAGE</u>
Paint (spray & quart can) .....	24
Paneling & trim .....	17
Parts package & components .....	26
Pigtail (car end) .....	2
Power cord (converter) .....	18
Power lift components .....	4
Receptacle (exterior) .....	7
Receptacle (interior) .....	18
Regulator & fittings .....	27
Safety chains .....	26
Screen door & related parts .....	22
Seat bench "roadside" - Neon .....	16
Seat bench components - Cobalt, Graphite .....	19
Sink & related parts .....	12
Spare tire cover (black vinyl) .....	2
Spare tire mount - Cobalt, Graphite .....	6
Spare tire mount - Neon .....	2
Stabilizer assembly .....	2
Stabilizer handle/lug wrench combo .....	26
Step - Cobalt, Graphite .....	10
Step "rear step" - Neon .....	2
Stove components (galley) .....	13
Table assemblies & related parts .....	13
Taillights (rear body panel) .....	6, 8
Tent support assemblies & related parts .....	18
Tenting & related parts (sunbrella) .....	25
Thermostat (Hydro Flame) .....	18
Thrust bearing .....	4
Tie backs (curtains) .....	23
Tire & rim .....	2
Tire cover "black vinyl" .....	2
Tongue jack & related parts .....	3
Top assemblies & related parts .....	28, 29
Water faucet "hand pump" .....	12
Water system & related parts .....	24
Wheel well .....	2
Wheel well trim "plastic" - Cobalt, Graphite .....	7, 11
Whiffletree & related parts .....	5
Zippers (tenting assemblies) .....	25

Axle/Brakes - Dexter .....	574/295-7800
Cassette Potty - Thetford .....	800/354-4135
Converter - World Friendship Co. ....	800/900-2468
Furnace - Hydro Flame #7916-11 .....	800/546-8759
Hand pump - Leisure Components.....	562/865-0401
Power Lift - Barker .....	888/367-6978
Refrigerator - Dometic .....	800/216-5115
Oven/Range - Atwood Greenbrier .....	800/646-8557
Stove/Grill - Vitco .....	877/825-8528
Tires - Kenda .....	800/225-4714
Water heater - Suburban #5031E .....	423/775-2131
Yakima bike rack - to obtain repair parts .	800/925-4621



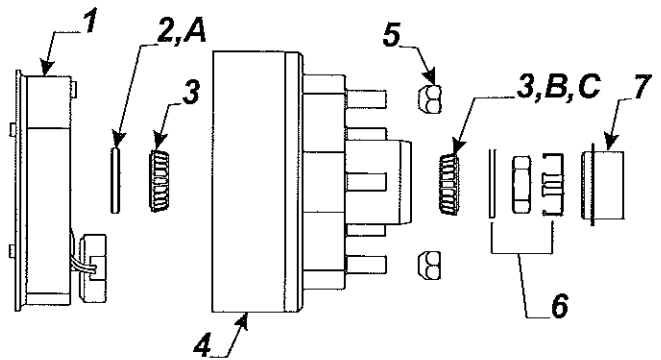
Flat Rate	Code	Part #	Description
1.50	1	4772-4231	2" coupler assembly
.75	2	4748-6611	chain bar w/pins
.50	3	4758-0381	bed leg pin & washer
.10		4747-8941	pin cover m2 (plastic)
2.00	4	4747B5511	corner bulkhead csr/rsf - Cobalt, Graphite
2.00		4747B5501	corner bulkhead rsr/csf - Cobalt, Graphite
2.00		4701-580	csr corner bulkhead - Neon
2.00		4701-581	rsr corner bulkhead - Neon
2.00		4701-578	csf corner bulkhead - Neon
2.00		4701-579	rsf corner bulkhead - Neon
		1203C8751	rivet m25 (rivet bulkhead to frame)
.75	5	4732E3671	adjustable pulley brkt. x4
.25		4715A5371	pulley & bearing m10
		4720C1578	short pin m4
		1204B1081	cotter pin m10
.25	6	4701-3768	tire & rim 10" (gray) 205/65-10C/5
		4701-6341	black vinyl tire cover 10" tire
	7	4701-5771	stabilizer gusset x4 - Neon
		4747A0061	stabilizer gusset x2 frt. - Cobalt, Graphite
	8	4752-6001	stabilizer gusset rear x2 - Cobalt, Graphite
	9	4716A7151	frt./rear battery angle pkg.
2.00	10	4701-6471	wheel well assy. x2 - Cobalt, Graphite
.50	10A	4701-3831	plastic fender x2 - Neon
.75	11	4720B3331	jack bracket (welded to tongue)
	12	4746A5591	pigtail - "car end"
	13	4716-5871	harness repair kit (8' pc.)
	14	1201-8738	3/8" clamp
		1203C8721	steel rivet m25
	15	4742-8108	1 1/4" snap bushing
	16	4716A5001	12 volt power harness
.15	17	4749B5531	12v wire harness m2 (battery connection)
	18	4716A4701	12 volt cap & plug m2
.25	19	4720D0731	stabilizer assembly
		4739-2298	nut (x2 per stabilizer)
.50	20	4701A3321	rear step - Neon
		4350000051P	safety walk tread (2' pc. pkg.)
		4767-4141	yellow safety stripe 3/8" x 15"
.20	21	4701B2861	mad flap set - Neon
	22	4701A6041	spare tire mount assy. - Neon
		4772A4101	spare tire bolts x2 - Neon
.10	23	4767A8731	coupler hole cover plate



\* 6610007210P floor covering pkg. (8' x 12')  
 \* Prior Authorization Needed From Factory

Flat Rate .50 Per Side  
**Electric Brake Pkg. 7" x 1 1/4" (4714H2011)**

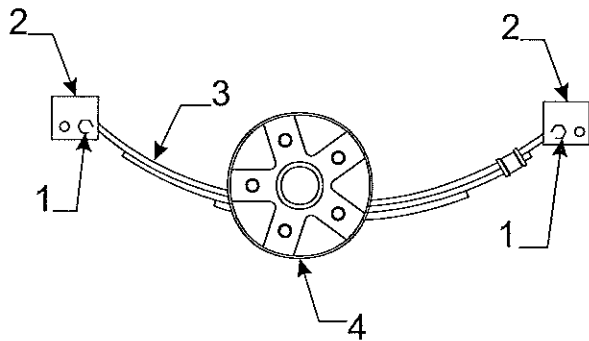
Flat Rate	Code	Part #	Description
.50	1	4733A3521	7" brake assembly (right hand)
.50		4733A3531	7" brake assembly (left hand)
.50	2	4714A2201	7" grease seal x1 m4
.50	3	4716-1101	7" bearing, race & seal pkg.
.30	4	4716A1071	7" hub & drum x2
.05	5	4747A9528	lug nuts x5
.10	6	4714A3061	retainer package
.05	7	4714C0621	EZ lube grease cap m4



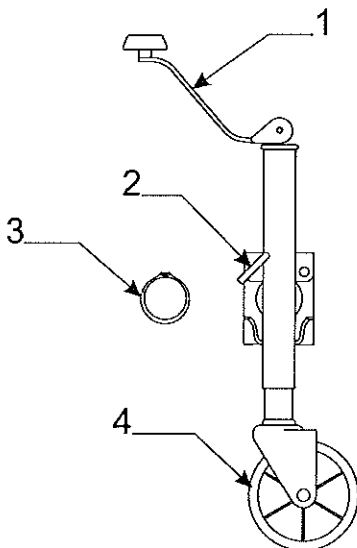
**Crossover Numbers To Purchase Locally**

- A** K71-301-00 Grease Seal (7" hub)
- B** L44649 Bearing
- C** L44610 Race

- F.R. 1.25  
 4701-2881 2200 lb. Brake Axle Assy - 7" hubs (Complete) - Neon  
 4701B2881 2200 lb. Brake Axle Assy - 7" hubs (Complete) - Cobalt, Graphite



Flat Rate	Code	Part #	Description
.25	1	4737A1318	shackle bolt
		4741-9498	shackle bolt nut
2.00	2	4741A3398	spring shackle
.75	3	4735D2201	leaf spring (3 ply)
	4	4716A1071	7" hub & drum



Flat Rate .10 Jack Removal

**Tongue Jack Assembly (4720C6661) "Norco"**

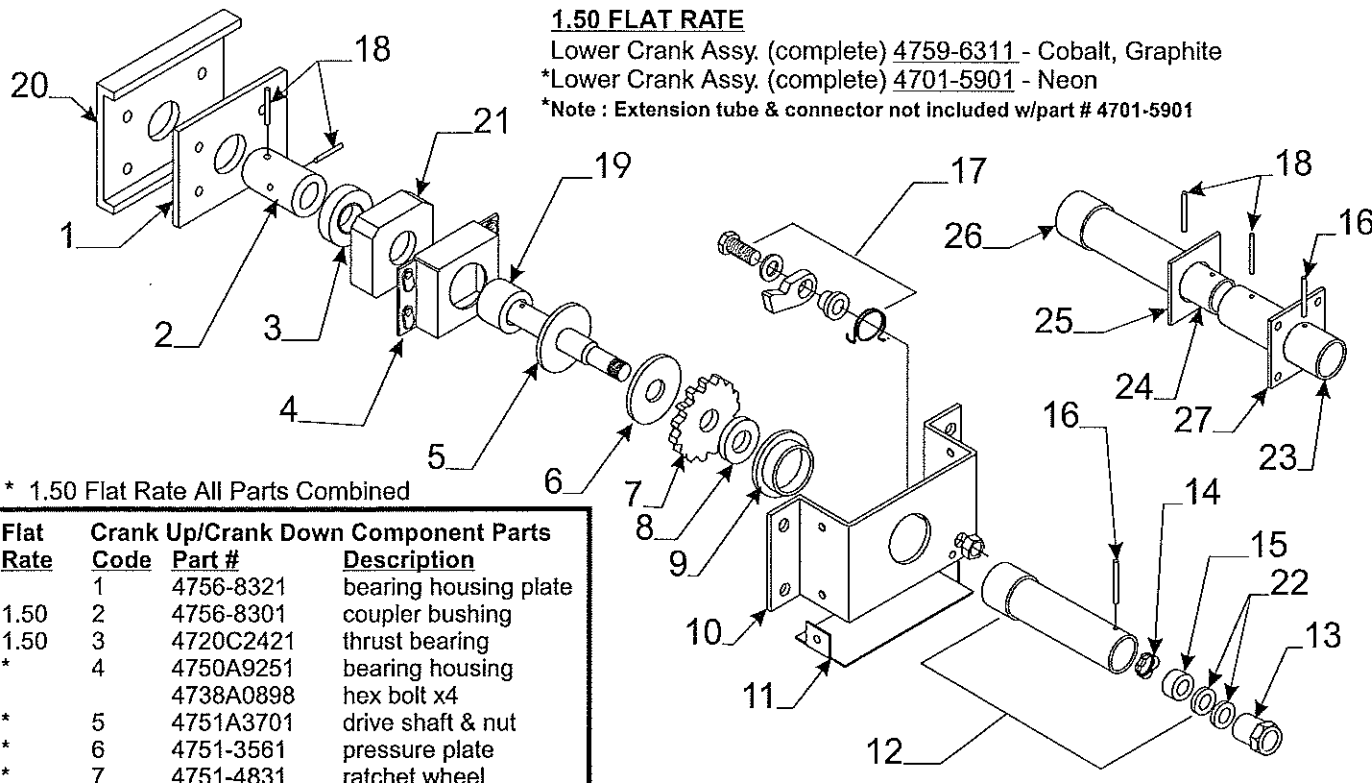
Flat Rate	Code	Part #	Description
.15	1	4716-1951	jack handle kit
.15	2	4716-1981	locking plunger kit
.10	3	4720A3341	snap ring
.25	4	4716-1971	jack wheel nut & bolt

**1.50 FLAT RATE**

Lower Crank Assy. (complete) 4759-6311 - Cobalt, Graphite

\*Lower Crank Assy. (complete) 4701-5901 - Neon

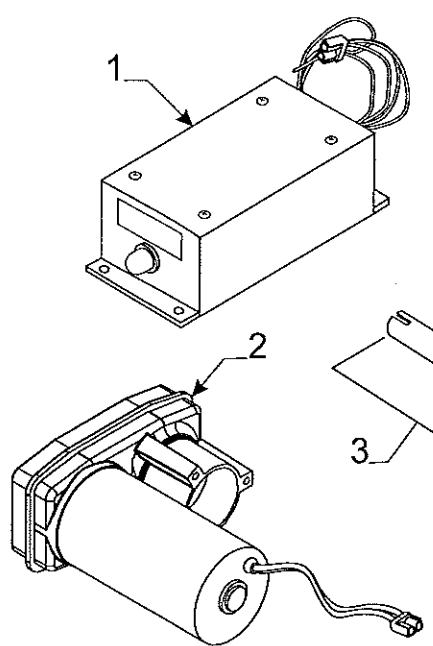
\*Note : Extension tube & connector not included w/part # 4701-5901



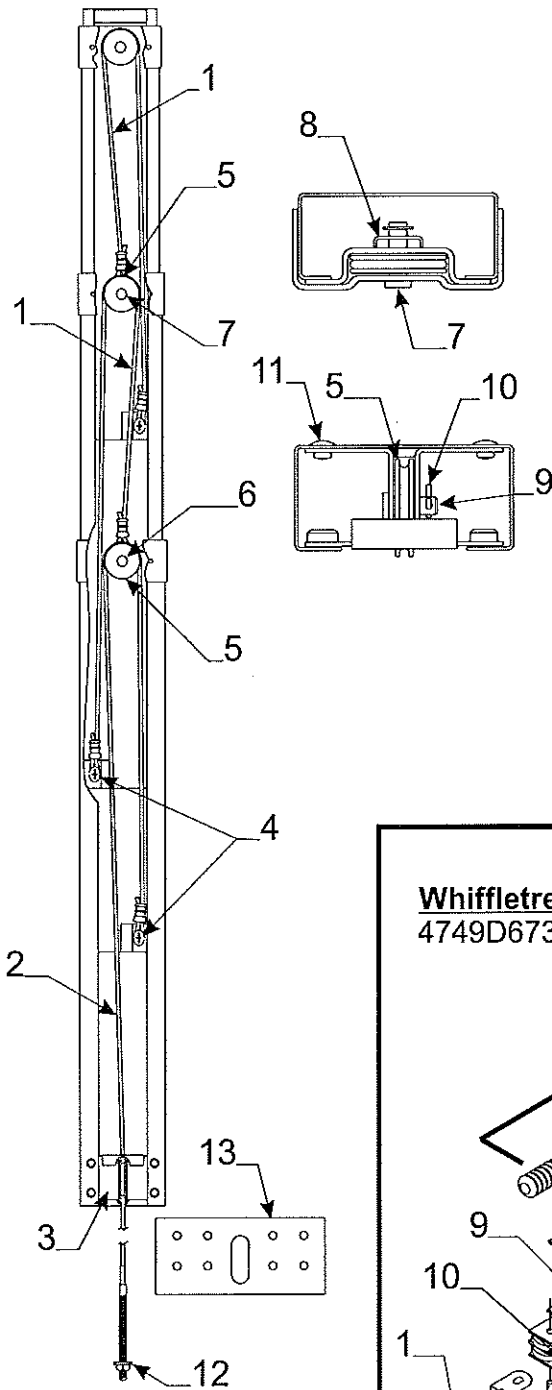
\* 1.50 Flat Rate All Parts Combined

Flat Rate	Crank Up/Crank Down	Code	Part #	Description
			4756-8321	bearing housing plate
1.50		2	4756-8301	coupler bushing
1.50		3	4720C2421	thrust bearing
*		4	4750A9251	bearing housing
			4738A0898	hex bolt x4
*		5	4751A3701	drive shaft & nut
*		6	4751-3561	pressure plate
*		7	4751-4831	ratchet wheel
*		8	4751-3581	pressure washer
*		9	4751A3591	shaft bushing
*		10	4751B3691	crank housing
			4731-3878	hex head bolt x4
			1201B6038	lock nut x4
*		11	4751-3721	housing cover plate
			1203-8641	rivet m25
.75		12	4716A1741	drive hub pkg. - Cobalt, Graphite
			<b>Note: pkg. Includes parts marked w/* asterisk</b>	
		13	*4751B3551	5/8" nut
.50		14	*4752-3921	handle spring x1 m2
.50		15	*4751-4671	nylon washer x1
.10		16	*4747A9451	spiral roll pin x1 m6
.60		17	4716-1221	ratchet pawl pkg.

FR	Code	Part #	Description
1.00	18	4701-3261	3/16" x 1 1/8" shear pin m10
1.50	19	4756A8311	spacer bushing
	20	4720F2411	plate "painted"
1.50	21	4756-8441	bearing house square spacer
	22	4757-3938	washer x2
	23	4701-3281	extension tube - Neon
.30	24	4701-3271	extension connector - Neon
.30	25	4702A0388	square washer - Neon
.75	26	4751-6511	drive hub ext. pkg. - Neon
		<b>Note: pkg. Includes parts marked w/* asterisk</b>	
	27	4702-2071	centering plate - Neon
		4758-9921	tek screw 3/4" "black" m12



Flat Rate	Power Lift Components - Cobalt Graphite Only	Code	Part #	Description
.25		1	4768-0681	current limiter w/round 3 prong jack
.25			4768A0681	current limiter w/head phone jack
1.50		2	4767-6461	power head motor
1.50		3	4768-0851	6" adapter, pin & square washer
1.50		4	4768-0671	mounting weldment
.05		5	4768-0691	hand controller w/round 3 prong plug
.05			4768A0691	hand controller w/head phone plug



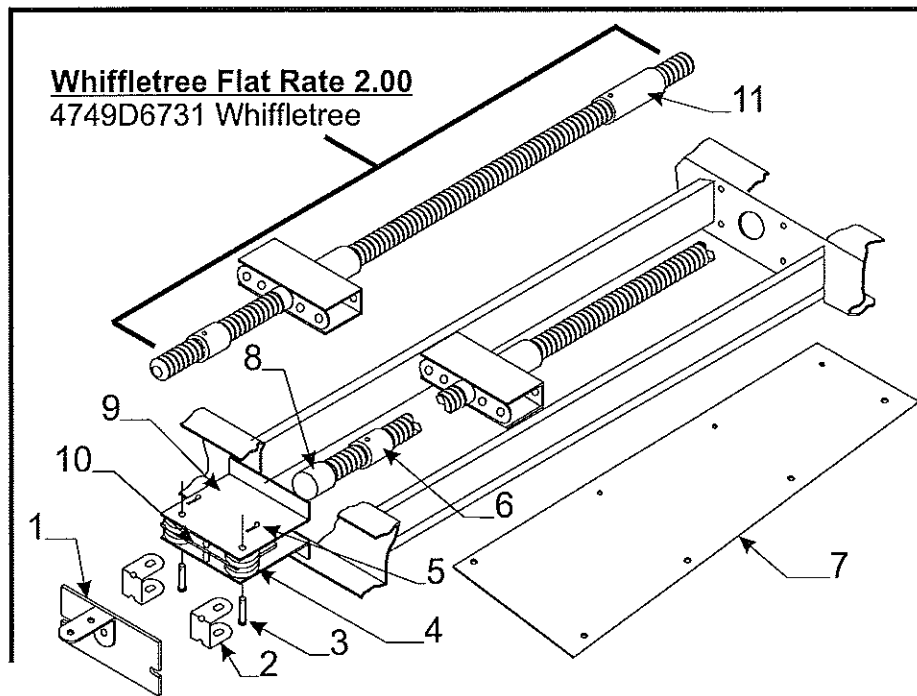
**Flat Rate 1.25**

4716-0051 lift assy. roadside rear/curbside front  
 4716-0061 lift assy. roadside front/curbside rear

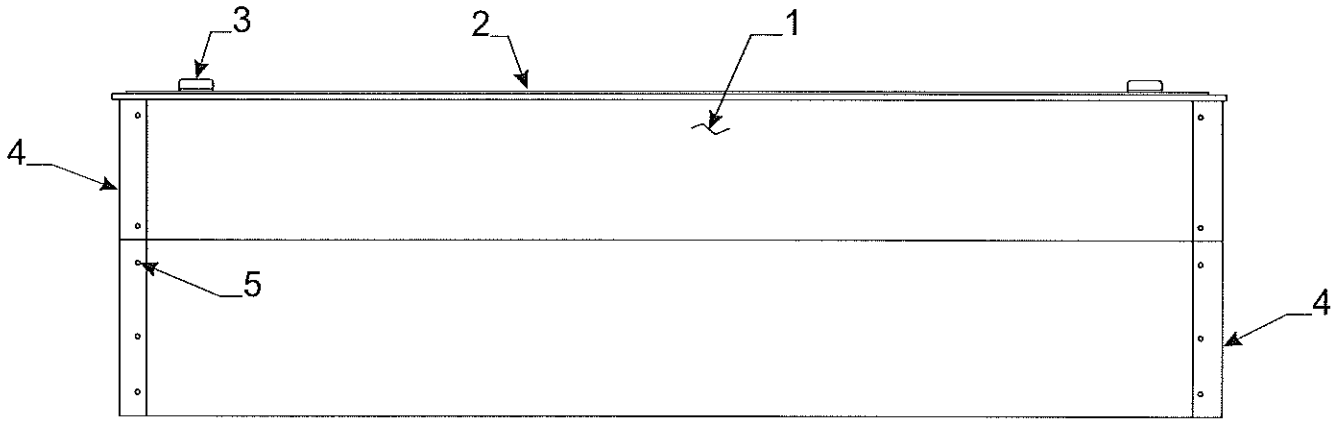
Flat Rate	Lift Assembly Code	Component Part #	Description
.75	1	4720C5271	cable assy. x2 m2
		4720C1691	cable crimp m20
1.25	2	4773-2291	225 3/4" long cable & crimp
		4744-1318	copper cable crimp m10
1.25	3	4731C5801	butterfly bracket assy.
.05	4	4749-2081	screw m6
.50	5	4715A5371	steel pulley & bearing m10
.25	6	4747-8931	long pin x2
		4730B0981	retaining ring m12
.25	7	4749-4061	short pin m4
		4730B0981	retaining ring m12
.25	8	4749A2028	retaining clip
.45	9	4720C1578	lift pin m4
	10	1204B1081	cotter pin m10
	11	1203-8641	rivet m25
	12	1201B6378	1/4" lock nut
		1202E0408	washer
	13	4701-2781	mounting plate - Neon

**Whiffletree Flat Rate 2.00**

4749D6731 Whiffletree

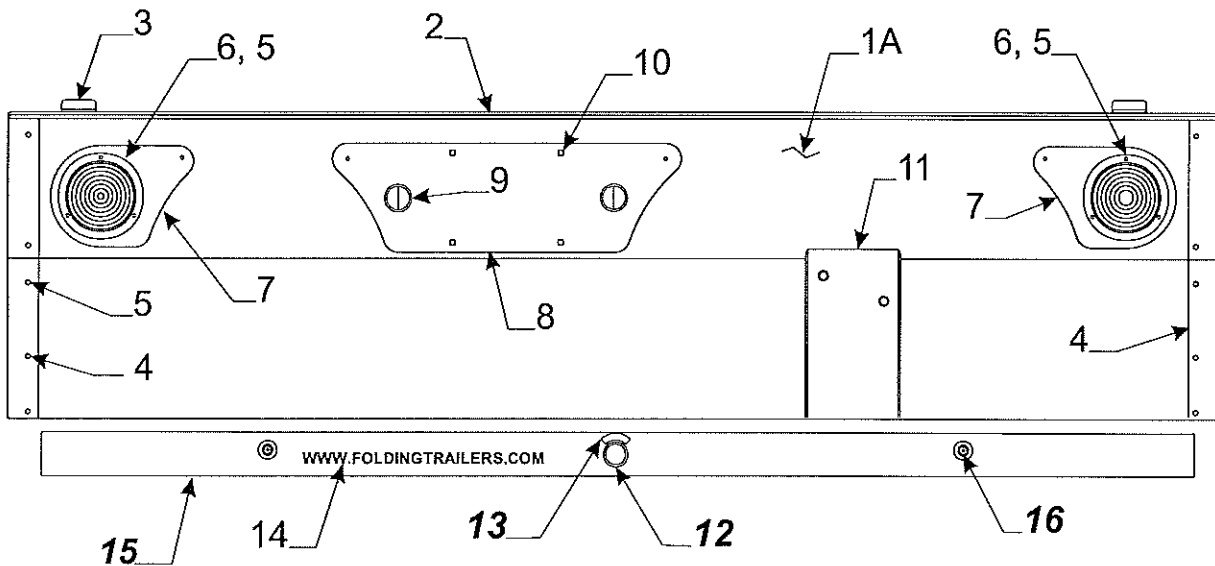


Flat Rate	Whiffletree & Related Parts Code	Part #	Description	Flat Rate	Code	Part #	Description
.15	1	4749A821	mud flap & brkt.	.25	7	4752B4921	whiffletree pan cover
.50	2	4744B1741	cable retainer x2			4755-4611	tek screw m25
.20	3	4720J1561	long pin m4				(Fasten pan in place)
.50	4	4715A5371	pulley & bearing m10	2.00	8	4730D1291	screw socket (welded)
.10	5	1204B1081	cotter pin m10	2.00	9	4720-1551	pulley plate
1.60	6	4710B4248	bushing	.50	10	4715D5661	pulley spacer
		4744A1301	solid shear pin m10		11	4772A184	bushing 3"

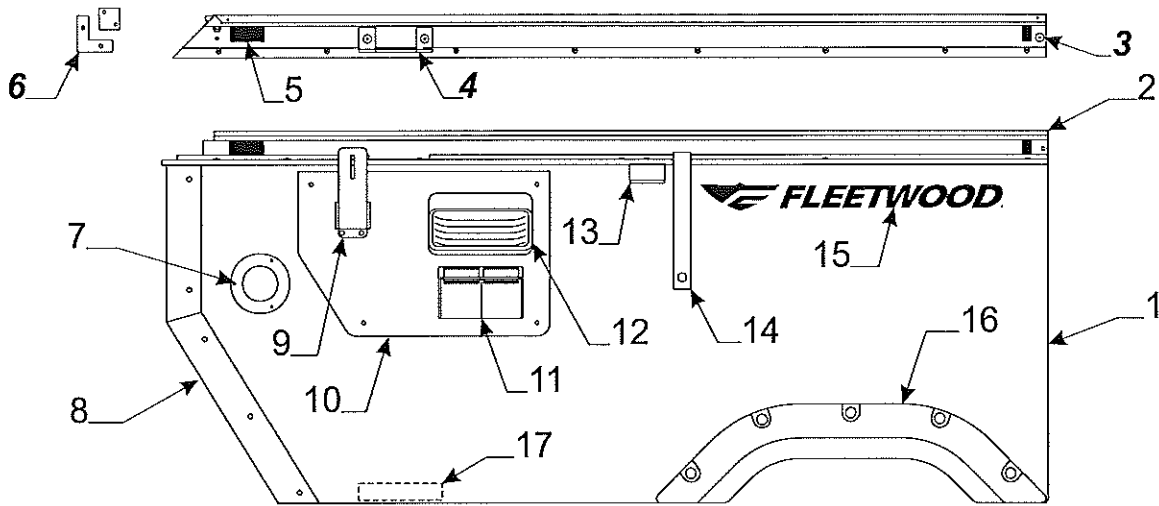


\* 1.50 Flat Rate Front Panel/2.50 Rear Panel

Flat Rate	Code	Part #	Description
*	1	4747J5431	frt. body pnl.
*	1A	4747K46461	rear body pnl.
.75	2	4747F0791	frt./rear end rail
		1203-8651	rivet m25
.25	3	4749A4731	bed stop angle
		1203C8751	steel rivet m25
.30	4	4701-8101	body corner trim csf/rsr
.30		4701-8111	body corner trim rsf/csr
	5	4701-2531	rivet "black" m25
.20	6	4701A0601	taillight w/rivets
.25	7	4701A9151	taillight backer "black"
.25	8	4701-9131	license plate backer "black"
.15	9	4739B4311	tag light x2
	10	4732-1181	plastic grommet m4
.25	11	4701-6811	spare tire mount
		4772A4101	mounting bolts x2
.10	12	4733-2741	2" snap bushing
.10	13	4730H3188	"open" decal
.10	14	4767-0888	www.com decal
.30	15	4701-8151	bumper
.25	16	1032B24248	bolt x2
		1202B0468	washer x6 m10
		1202B1068	washer x2 m12
		1201B6068	nut x2

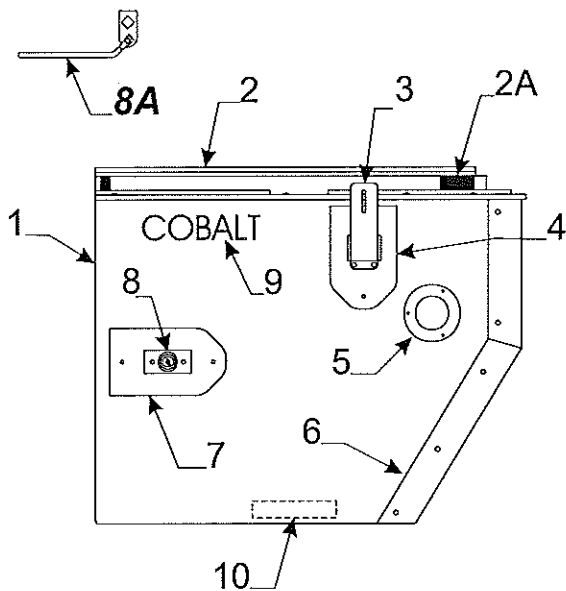




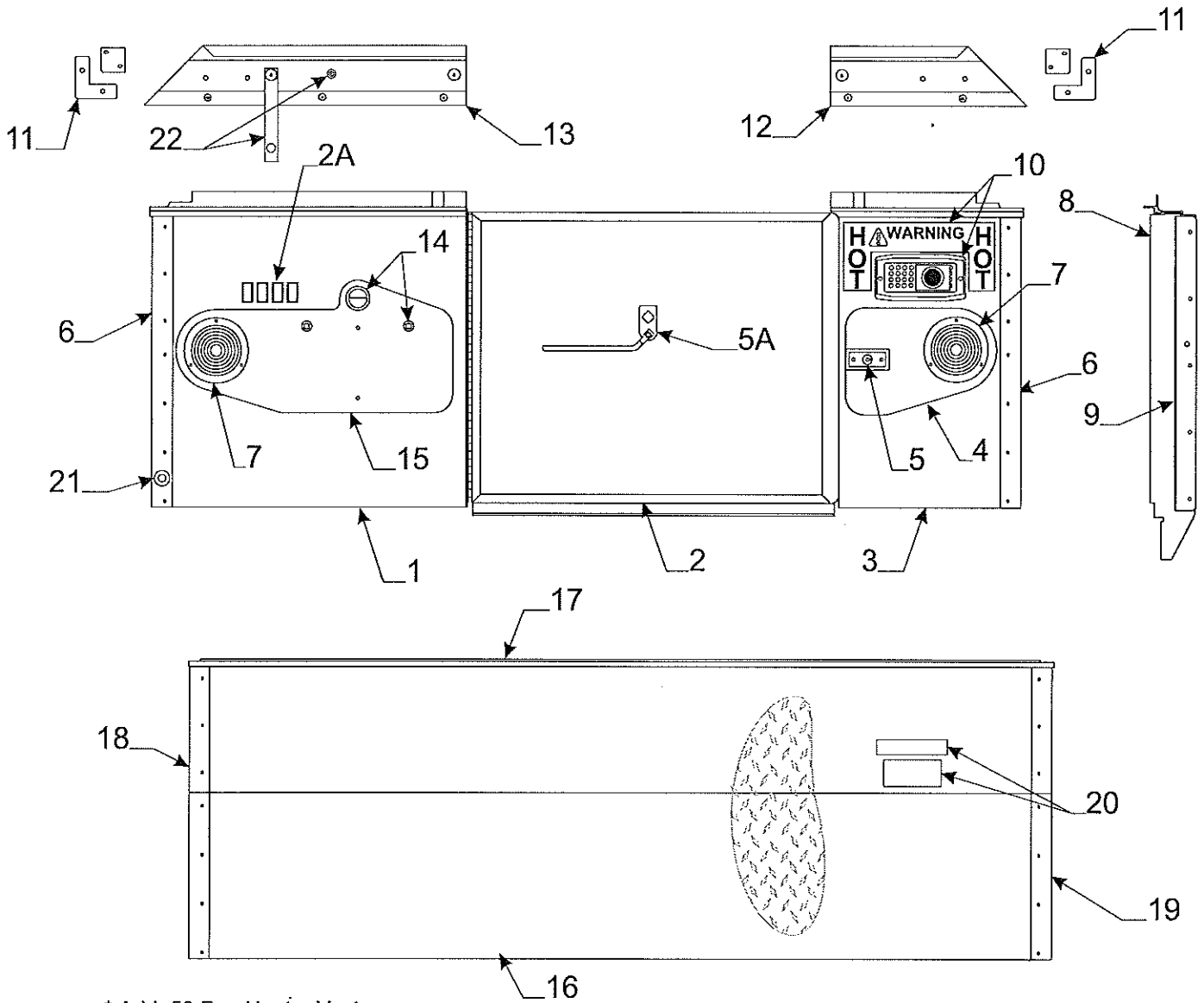


CSR Body Pnl. Components - Cobalt, Graphite							
Flat Rate	Code	Part #	Description	FR	Code	Part #	Description
1.25	1	4749F97581	csr body panel 4128 Cobalt	.25	10	4701A9121	top latch backer csr
1.25		4701B8301	csr body panel 4129 Graphite			4701-2531	rivet "black" m25
1.00	2	4701-4951	csr body rail 4128 Cobalt	.25	11	4701-1091	duplex cover & outlet
1.00		4701-8311	csr body rail 4129 Graphite	.25	12	4701-0631	porch light
	3	1203-8831	rivet m25	.10		4716-5511	porch light lens "amber"
.25	4	4734C4121	lift trim pkg. m4		13	4701A4941	door stop brkt.
		4733-3398	nylon flange bushing x2			4066500053P	edge molding (8' pc. pkg.)
.10	5	4716-2771	vel-stick body rail pkg.	.10	14	4701-5251	access door strap
.15	6	4716-7061	miter cover pkg. m4			4758-8001	rivet m25
.20	7	4800A1451	red marker light			4733-3398	nylon flange bushing
		4758-9921	screw x3 "black" m12			4730A3548	stud & screw (loc. on rail)
.30	8	4701-8111	body corner trim csr	.25	15	4701-2628	fleetwood logo "black"
		4701-2531	rivet "black" m25	.25	16	4701-9311	wheel well trim "plastic"
.15	9	4701-0951	top latch "black"			1103B1012	screw 3/4"x10
		4749-4848	foam pad			4739F2901	chrome snap cap m12
		4744A0501	hex head tek screw m25		17	4060050008P	1" foam tape (12' pc. pkg.)

Note: Refer above for miter covers and lift trim

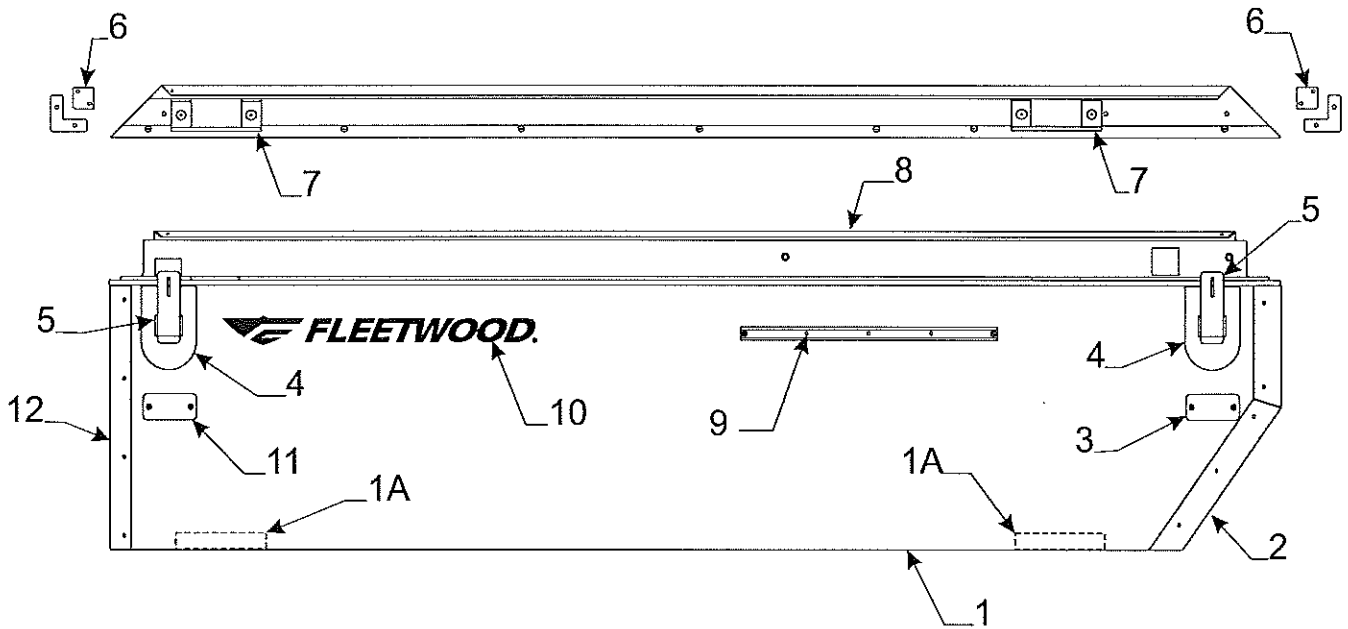


CSF Body Pnl. Components - Cobalt, Graphite							
Flat Rate	Code	Part #	Description	FR	Code	Part #	Description
1.00	1	4747E0441	csf body panel 4128 Cobalt				
1.00		4701A8391	csf body panel 4129 Graphite				
1.00	2	4747C0561	csf body rail 4128 Cobalt				
1.00		4701-8401	csf body rail 4129 Graphite				
.10	2A	4716-2771	vel-stick body rail pkg.				
.15	3	4701-0951	top latch "black"				
		4749-4848	foam pad				
		4744A0501	hex head tek screw m25				
.25	4	4701-9161	top latch backer "black"				
		4701-2531	rivet "black" m25				
.20	5	4701-9211	amber marker light				
		4758-9921	screw x3 "black" m12				
.30	6	4701-8101	body corner trim csf				
1.10	7	4701-9141	lock handle backer				
		4701-2531	rivet "black" m25				
1.00	8	4730C3111	lock handle (with key)				
1.00	8A	4757-7361	latch, strike & lever				
.25	9	4701-8288	Cobalt name decal 4128				
.25		4701-8278	Graphite name decal 4129				
	10	4060050008P	1" foam tape (12' pc. pkg.)				

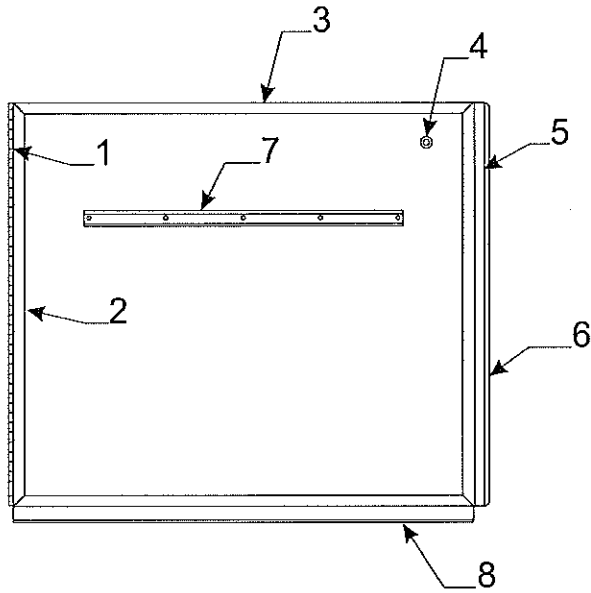


\* Add .50 For Heater Vent

Front & Rear Body Pnl. Components - 4139 Neon								
Flat Rate	Code	Part #	Description	Flat Rate	Code	Part #	Description	
1.00	1	4701A3021	rear body panel lt.	1.00	12	4701-2921	body rail lt. rear	
.50	2	4701-5861	access door Assy.			1203-8641	rivet m25	
	Note: refer to page 10 for access dr. components			.10		4716-2771	vel-stick pkg.	
.25	2A	4701-8298	Neon name decal	1.00	13	4701-2931	body rail rt. rear	
1.00	3	* 4701B3011	rear body panel rt.			4767-0781	vel-stick 9 3/4"	
1.25	4	4701-3031	light trim lt. rear	.15	14	4739B4311	tag light	
1.00	5	4730C3111	lock handle w/key			4732-1181	plastic grommet m4	
	5A	4754-1691	latch, strike & lever	.25	15	4701-3041	light/plate trim	
.30	6	4701-3621	rear corner trim lt/rt	1.50	16	4701-3001	front body panel	
.20	7	4701A0601	taillight w/rivets	.75	17	4701-2911	front body rail	
	8	4701-305	door bulkhead rt.	.30	18	4701-3601	cs frt. corner trim	
		4701-306	door bulkhead lt.			4758-9921	screw "black" m12	
	9	4701-4711	door stop angle	.30	19	4701-3611	rs frt. corner trim	
.10	10	4741C9471	furnace vent 8"			4758-9921	screw "black" m12	
.15		4701-3878	caution decal	.05	20	4759-8488	lp gas decal	
.15	11	4716-7061	miter cover pkg. m4	.05		4730K213C8	gas piping decal	
.10		4716-2771	vel-stick pkg.	.10	21	4701-1851	rubber door bumper	
		1203-8641	rivet m25"	.10		4733-420	tek screw 1 1/2"	
				.10	22	4701-5251	door strap	
						4730A3548	stud w/screw	



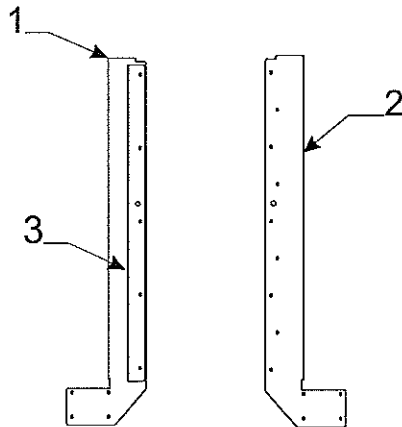
Roadside/Curbside Body Panel & Components - 4139 Neon			
Flat Rate	Code	Part #	Description
2.00	1	4701A2981	rs left side body pnl.
2.00		4701A2991	cs right side body pnl.
	1A	4060050008P	foam tape pkg. (12' pc.)
.30	2	4701-3601	cs corner trim
.30		4701-3611	rs corner trim
		4758-9921	screw "black" m12
.15	3	4714J08481	amber marker light
		1103E1018	ss screw x2 per light
.10		4716A4571	amber lens (lens only)
.25		4733H1311	socket & harness
	4	4701-9161	top latch trim
		4701-2531	rivet m25
.15	5	4701-0951	top latch
		4741A9101	tek screw m10
.15	6	4716-7061	inner/outer miter cover pkg. m4
.25	7	4734C4121	lift trim, rivets & gasket pkg. m4
3.00	8	4701-2891	rs left side body rail
3.00		4701-2901	cs right side body rail
.10		4716-2771	vel-stick body rail pkg.
.25	9	4767-436G1	stove support brkt.
.25	10	4701-2628	Fleetwood decal
.15	11	4714J08581	red marker light
.10		4716A4561	red lens (lens only)
		1103E1018	ss screw x2 per light
.25		4733H1311	socket & harness
.30	12	4701-3621	rear corner trim
		4758-9921	tek screw "black" m12



Access Door Flat Rate - .50

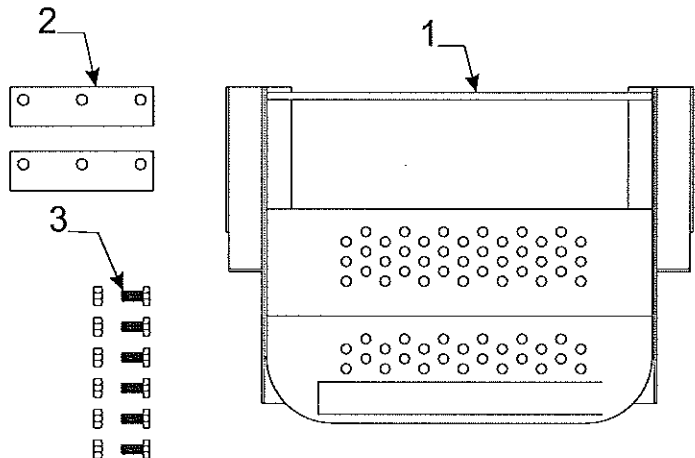
4749P6471 Access Door Assy. 4128, 4129, 4139

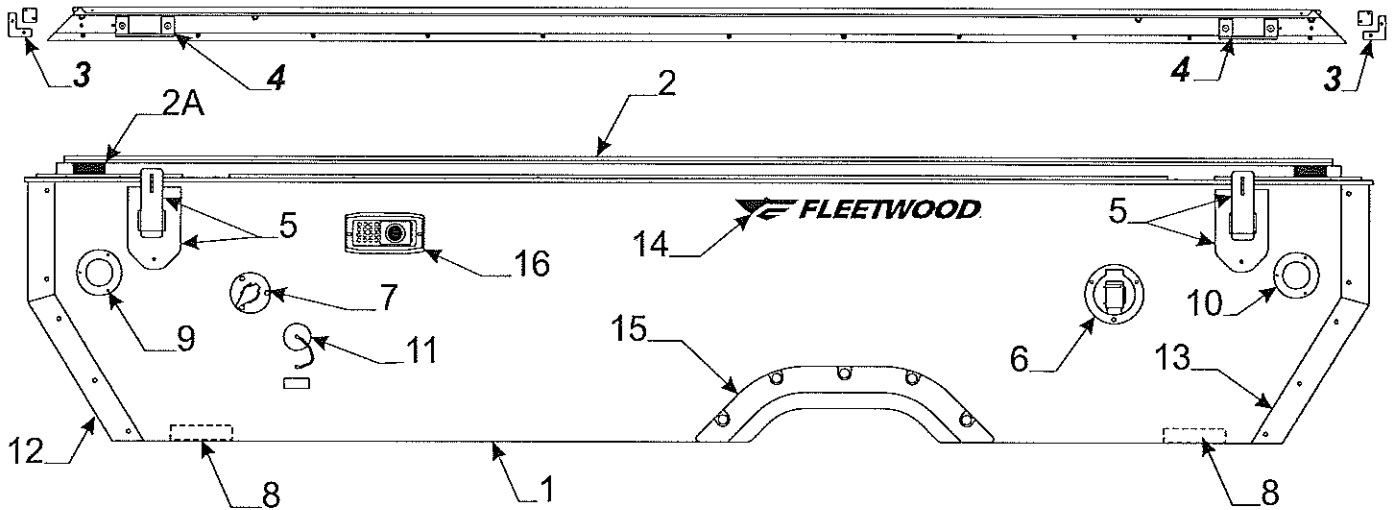
Flat Rate	Code	Part #	Description
.25	1	4701-3111	door hinge
.35	2	4701-3071	door frame side
.25	3	4701-0891	door cap
	4	4730A3548	stud & screw
.20	5	4060000402P	d-seal pkg. (5' pc.)
.25	6	4701-3081	door frame side
		4716-081	screw x2
	7	4767-436G1	stove support bkr.
		1103E1016	screw x5
.25	8	4701-0921	bottom trim
		4745-3968	screw x2



Flat Rate	Code	Part #	Description
1.25	1	4747B0101	csr bulkhead
1.25	2	4747B0091	csf bulkhead
.35	3	4754A2111	door seal angle
.35	3	4749C3881	door seal angle
		4733G0601	rivet m25 "black"

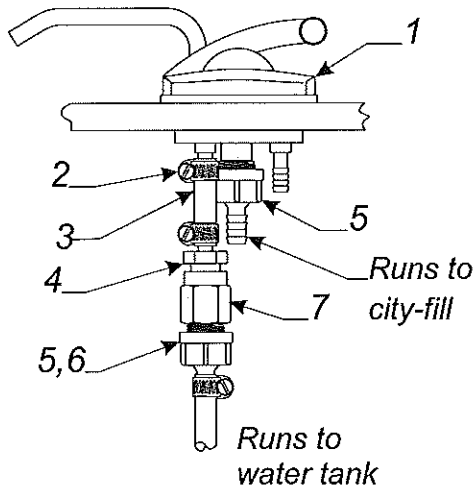
Flat Rate	Step	Code	Part #	Description
.50	1		4701B6821	step
	2		4750-3361	step shim x2
	3		1200B3048	bolt x6
			1201B6068	nut x6



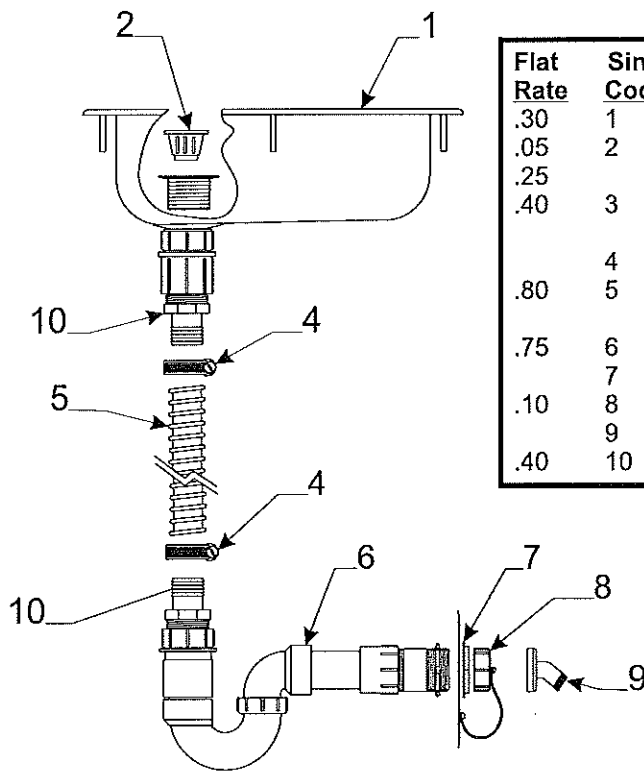


\* Add .50 for heater vent

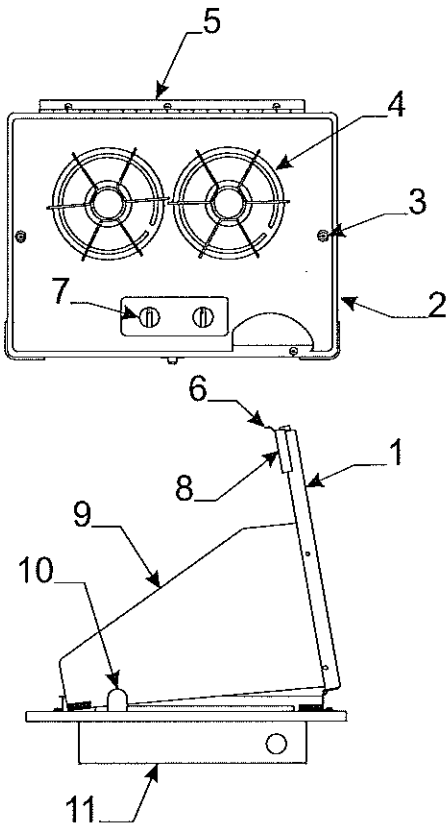
RS Left Body Panel & Components 4128 Cobalt , 4129 Graphite Flat				
Rate	Code	Part #	Description	
*2.00	1	4749E9801	left side body pnl. 4128 Cobalt	
*2.00		4701A8421	left side body pnl. 4129 Graphite	
3.00	2	4747C0581	left side body rail 4128 Cobalt	
3.00		4701-8441	left side body rail 4129 Graphite	
.10	2A	4716-2771	vel-stick body rail pkg.	
		4757-0731	wire grommet & nut	
.15	3	4716-7061	inner/outer miter cover pkg. m4	
.25	4	4734C4121	lift trim, rivets & gasket pkg. m4	
.15	5	4701-0951	top latch x2 "black"	
		4744A0501	hex head tek screw m25	
.25		4701-9161	top latch backer plate	
		4701-2531	rivet "black" m25	
		4749-4848	foam pad	
.15	6	4701-0761	cable hatch	
		4701-1698	cable hatch gasket	
.30	7	4701-0781	city fill	
	8	4060050008P	1/2" x 1" foam tape pkg. (12' pc.)	
.20	9	4701-9211	amber marker light	
		4758-9921	screw x3 "black" m12	
.20	10	4800A1451	red marker light	
		4758-9921	screw x3 "black" m12	
.10	11	4701-1881	drain cap & strap	
.30	12	4701-8111	rsf corner trim	
		4701-2531	rivet "black" m25	
.30	13	4701-8101	rsr corner trim	
		4701-2531	rivet "black" m25	
.25	14	4701-2628	fleetwood decal	
.25	15	4701-9311	wheel well trim "plastic"	
		1103B1012	screw 3/4"	
		4739F2901	chrome snap cap m12	
.10	16	4741C9471	furnace vent 8"	



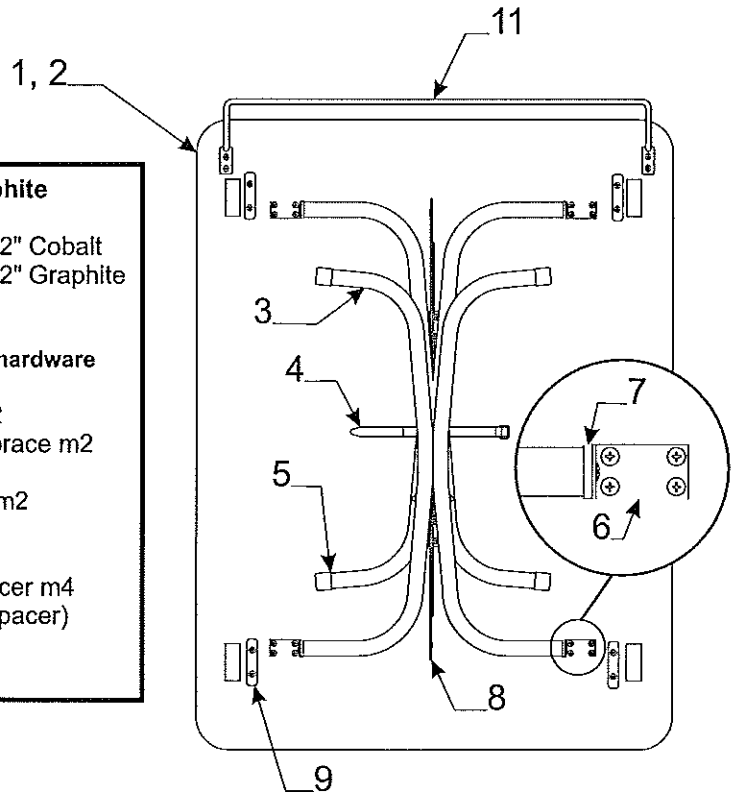
Flat Rate	Code	Part #	Description
.40	1	4767-3301	hand pump
		4716-081	screw x4
		4746A5421	pump hold down
		4731-3058	adjustable hose clamp
.35	3	4714-038	3/8" h.p. Hose (sold/foot)
.20	4	4732-4561	male adapter
.20	5	4741A9561	barbed adapter
.20	6	1202-5828	rubber washer
.20	7	4754-4418	round filter screen
.20	7	4741-9551	check valve "brass"



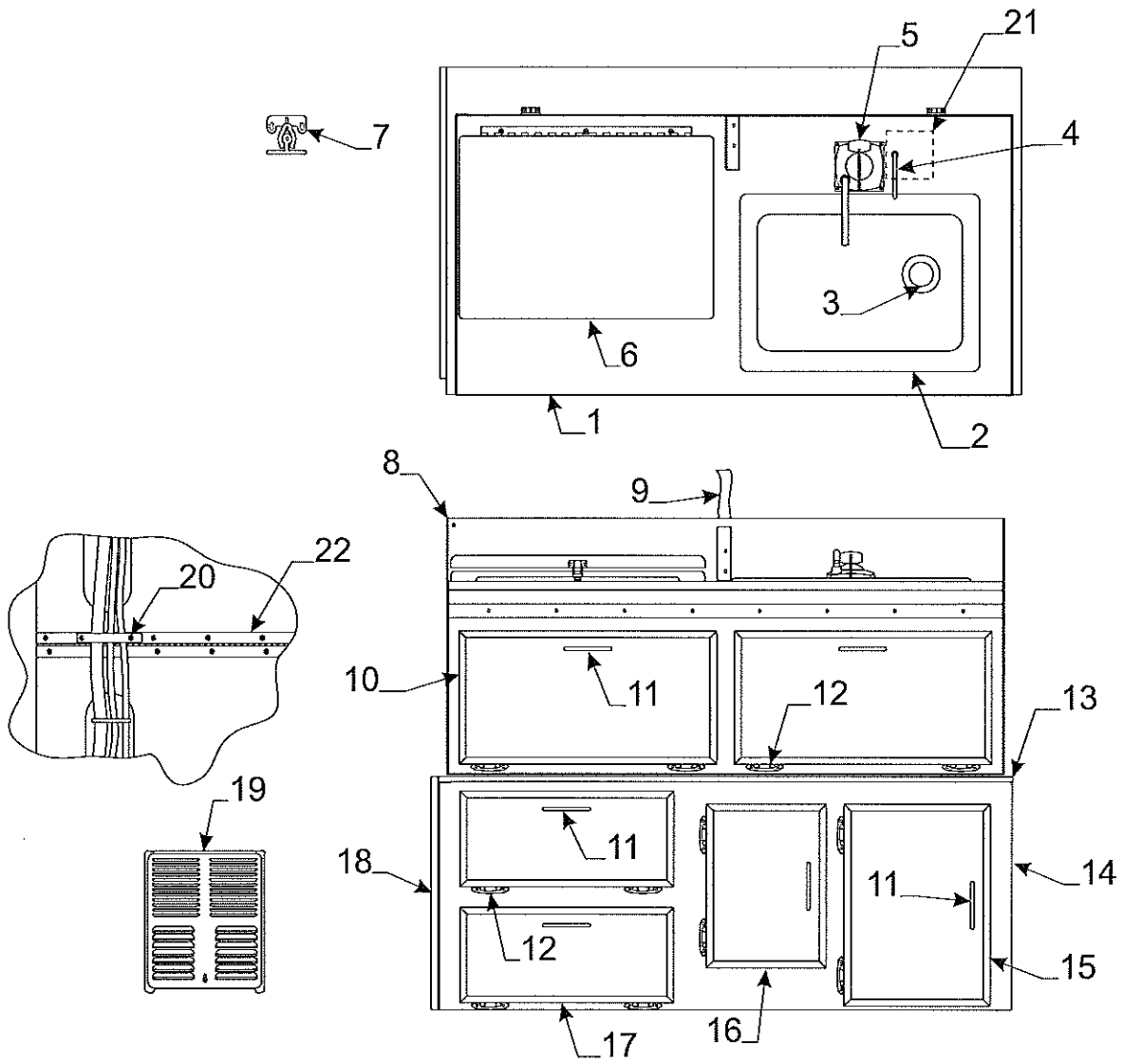
Flat Rate	Code	Part #	Description
.30	1	4710F0301	sink "stainless"
.05	2	4714C0661	crumb cup "only"
.25		4730E3151	crumb cup & basket
.40	3	4713-0061	straight sink adapter pkg.
		4757-9131	1 1/4" rubber washer
	4	4715-4501	1 1/4" hose clamp
.80	5	4060012503P	1 1/4" drain hose pkg. (10' pc.)
.75	6	4769-6941	drain trap assy.
		4757-0921	1 1/2" plastic nut "black"
.10	8	4714A2861	cap & strap
	9	4737-9138	drain adapter
.40	10	4757A0871	adaptor 1 1/4" barb



Flat Rate	Stove Component Parts (Upper Galley Assy.'s)	Code	Part #	Description
.15	1	4701-1191	stove cover assy.	
.15	2	4701-1201	2 burner cook top	
.05	3	4716-2631	stove top screw/washer m2	
.05	4	4752A9881	stove grate x3	
.10	5	4716A2671	stove cover hinge	
.15	6	4733-4018	stove cover latch	
.15		4733-4028	stove cover strike	
.05	7	4716A1861	knob	
	8	4732A2291	edge molding m2	
.25	9	4716A2661	stove fin "right"	
.25		4716A2651	stove fin "left"	
.15	10	4716A2641	stove fin stay brkt. m2	
.75	11	4748D2581	2 burner stove box	



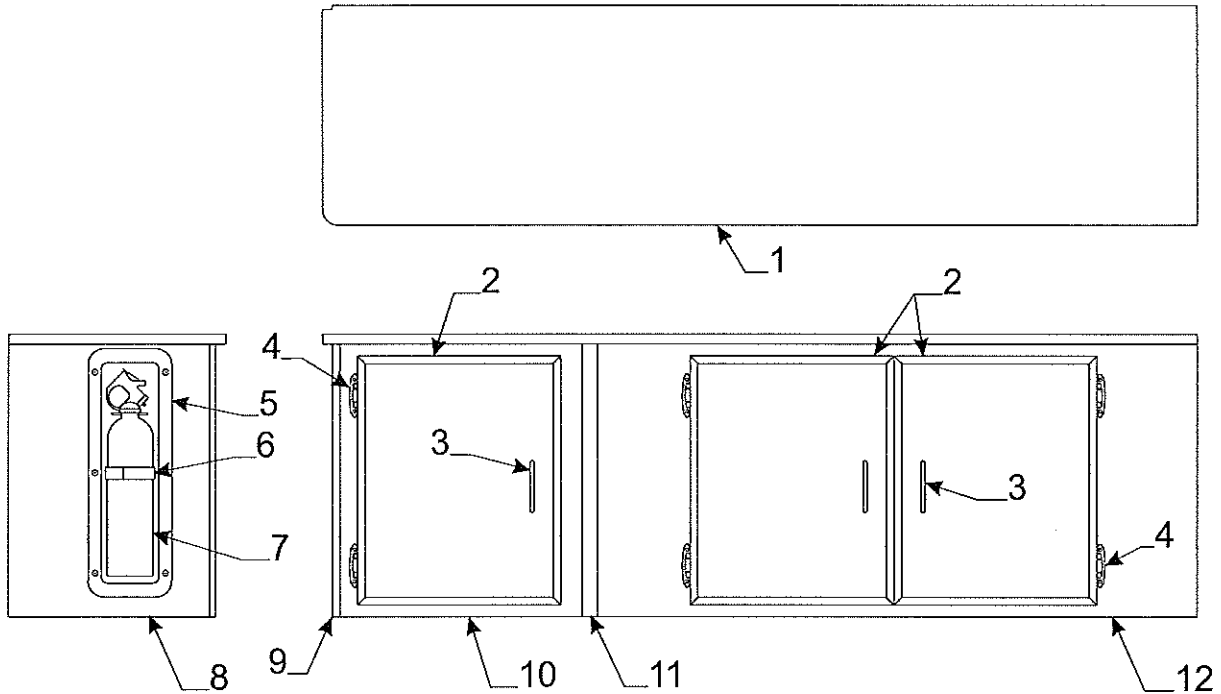
Flat Rate	Dinette Table Components - Cobalt, Graphite	Code	Part #	Description
.50	1	4702-0731	table top 30" x 38 1/2" Cobalt	
.50	2	4701-8121	table top 30" x 38 1/2" Graphite	
.30	3	4060475002GP	t-molding (14' pkg.)	
.50	3	4701A1491	table leg package	
Note: pkg. includes 2 legs & required mounting hardware				
.10	4	4751A9711	strap & screw pkg.	
.10	5	4752-0551	white plastic cap m2	
.15	6	4713-0321	table leg mounting brace m2	
		1103E1018	5/8" wood screw	
.15	7	4752A0561	table leg insert cap m2	
.25	8	4744-6971	lock brace assy. x2	
		1103E1018	5/8" wood screw	
.15	9	4756-8741	table top plastic spacer m4	
		1103B08148	7/8" screw (x2 per spacer)	
.05	10	4724D2631	velcro fastener m4	
	11	4701-93661	towel bar "black"	



\* Add .50 with heater

Flat Rate	Code	Part #	Description	Flat Rate	Code	Part #	Description
1.00	1	4701-8091	upper galley top	.15	10	4701A8211	door panel 19" x 10"
.30	2	4710F0301	sink	.15		4733-6391	latch & strike pkg.
.05	3	4714C0661	crumb cup	.10	11	4755B2681	door pull
.10	4	4746A5421	pump hold down pkg.	.10	12	4762-4878	hinge
.40	5	4767-3301	hand pump	1.25	13	*4747L4371	lower galley top
		4716-081	screw x4	.20		4746C0971	kill switch m4
	<b>Note: refer to page 12 for pump components</b>			1.50	14	*4749M9901	galley front
.15	6	4701-1191	stove cover assy.	.15	15	4701A8001	door panel 15 1/4" x 10 1/4"
	<b>Note: refer to page 13 for stove components</b>			.15	16	4701A1481	door panel 9 1/8" x 12"
.15	7	4744A9261	knuckle latch m4	.15	17	4701A9491	door panel 15 3/4" x 7"
		1203-8678	rivet m25	.75	18	4749K9891	seat gazoodi - Cobalt
	8	4701A807	upper galley back	.75		4701A8571	seat gazoodi - Graphite
		4701-805	upper galley side "lt."	.10	19	4743A3551	furnace grill
		4701-804	upper galley side "rt."	.10	20	4751A9711	hose strap pkg.
.10	9	4701-8221	galley pull strap		21	4702-2501	hold down support
					22	4747A9671	galley hinge





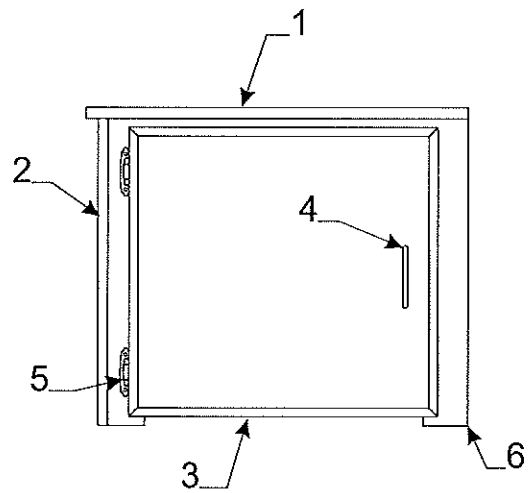
**Curbside Hutch Assy. - 4129 Graphite**

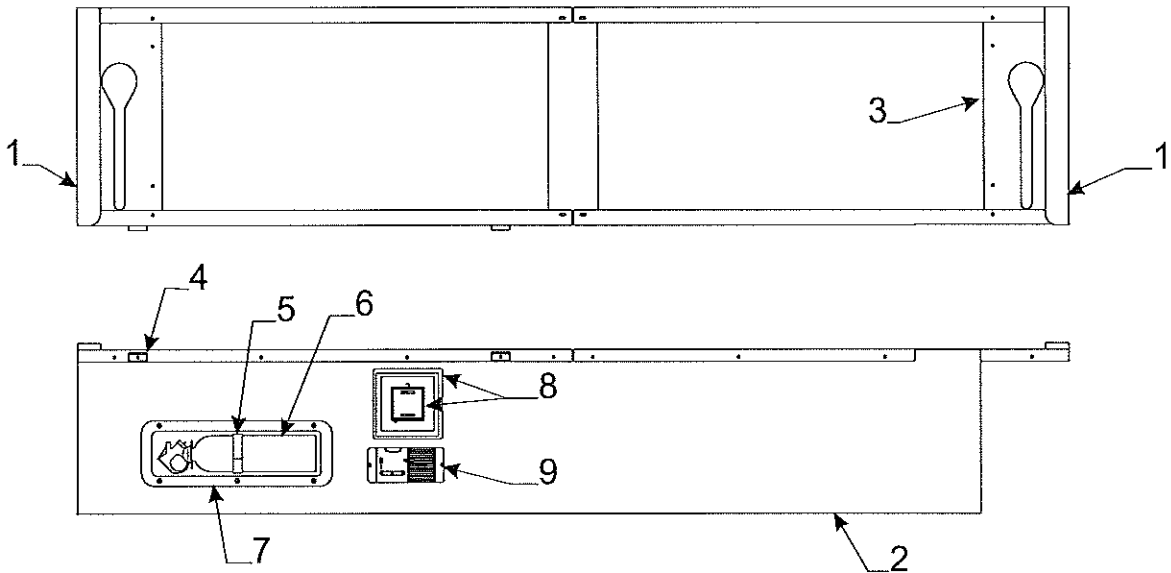
Flat Rate	Code	Part #	Description
.75	1	4701-8591	hutch top
.15	2	4701A8641	door pnl. 13" x 15 3/4"
.15		4733-6391	latch & strike pkg.
.10	3	4755B2681	door pull
.10	4	4762-4878	hinge
		4749C4591	screw #6 x 3/8" m12
.15	5	4701-1321	recessed mount
		4701-1331	screw m12
.05	6	4716-1191	fire extinguisher strap m2
.10	7	4737A5558	fire extinguisher
.55	8	4701A8601	hutch side
.65	9	4064737503P	3/8" f-channel 48" pc.
.50	10	4701A8611	hutch front "lt."
.50	11	4701-863	panel connector
.50	12	4701A8621	hutch front "rt"

**CS Corner Cabinet Assy. - 4128 Cobalt, 4129 Graphite**

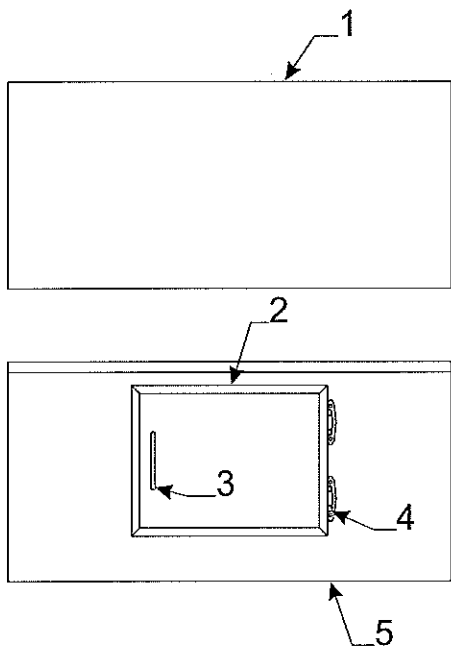
Flat

Rate	Code	Part #	Description
.25	1	4701-9441	cabinet top 4128 Cobalt
.25		4701-8521	cabinet top 4129 Graphite
.30	2	4701A9461	cabinet side 4128 Cobalt
.30		4701A8581	cabinet side 4129 Graphite
.35		4064737503P	3/8" f-channel 48" pc.
.15	3	4701A1251	door panel 17 1/4" x 15 1/8"
.15		4733-6391	latch & strike pkg.
.10	4	4755B2681	door pull
.10	5	4762-4878	hinge
		4749C4591	screw #6 x 3/8" m12
.50	6	4701B9471	cabinet front 4128, 4129

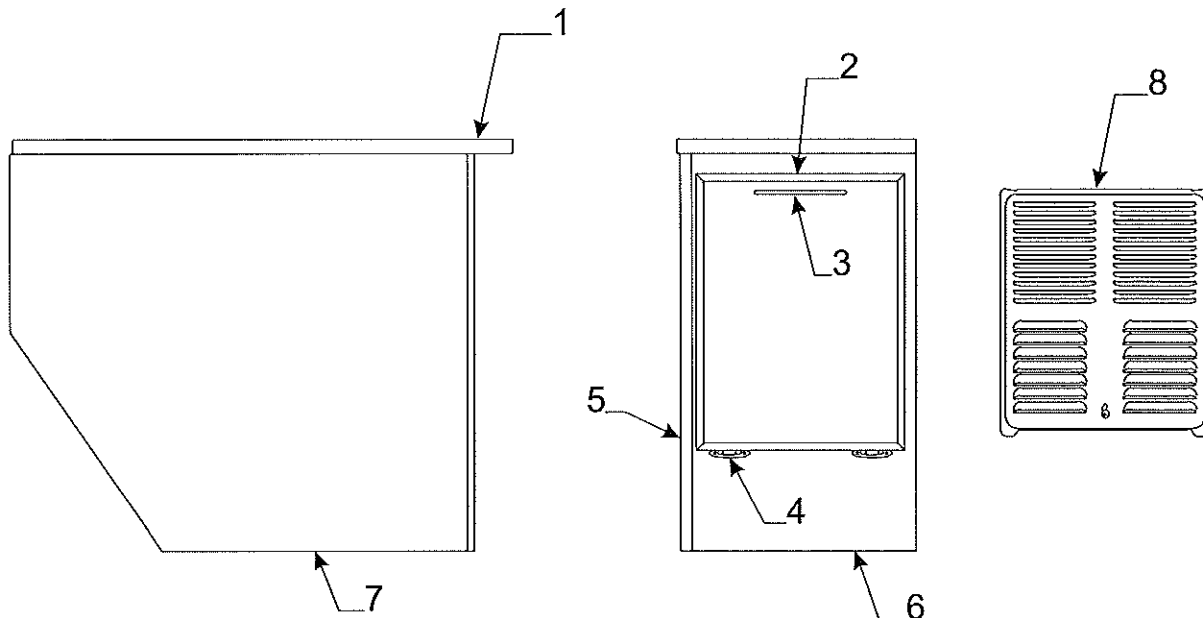




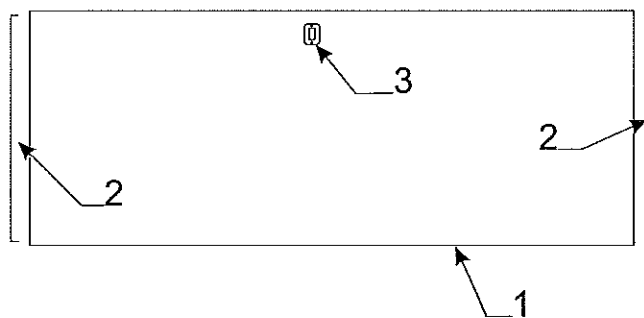
Flat Rate	Code	Part #	Description
.20	1	4701-3631	cushion spacer (plastic)
.30	2	6010415698P	universal wall panel 48" x 48"
.20	3	4701-345	seat end support x2
.15	4	4754A8491	bed rest
.05	5	4716-1191	fire extinguisher strap m2
.10	6	4737A5558	fire extinguisher
.15	7	4701-1321	recessed mount
		4738-3088	screw x6
*	8	4752A8461	thermostat
.20		4701-2341	plastic base & bracket
.25	9	4753B9171	lp gas detector "black"



Flat Rate	Code	Part #	Description
.30	1	4701-3401	cabinet top
.15	2	4701A1481	door pnl. 9 1/4" x 12"
.15		4733-6391	latch & strike pkg.
.10	3	4755B2681	door pull (includes screw)
.10	4	4762-4878	hinge x2
.50	5	4701A3391	cabinet front



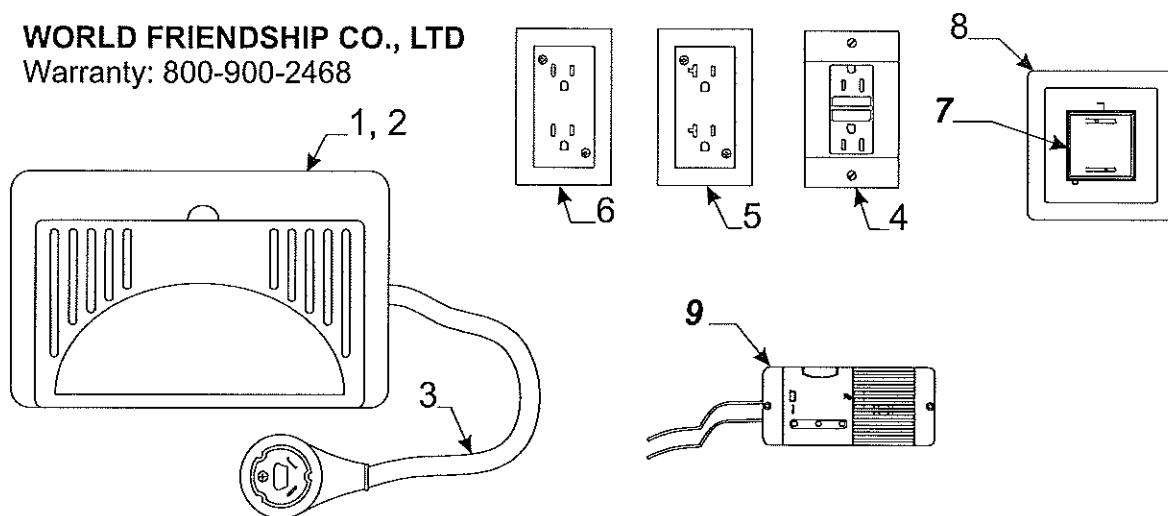
Flat Rate	Code	Part #	Description
.30	1	4701-8811	cabinet top (curbside front)
.30		4701-8821	cabinet top (curbside rear)
.15	2	4701A1481	door pnl. 9 1/4" x 12"
.15		4733-6391	latch & strike pkg.
.10	3	4755B2681	door pull (includes screw)
.10	4	4762-4878	hinge x2
.65	5	4064737503P	3/8" f-channel 48" pc.
.50	6	4701A3351	cabinet front
.30	7	6010415698P	universal panel 48" x 48"
.10	8	4743A3551	furnace grill



\* Prior Authorization Needed

Flat Rate	Code	Part #	Description
*	1	6010415698P	wall panel 48" x 48"
*	2	4064700378P	corner divider m2 48" pc.
.20	3	4800-0451	kill switch & plate - Neon

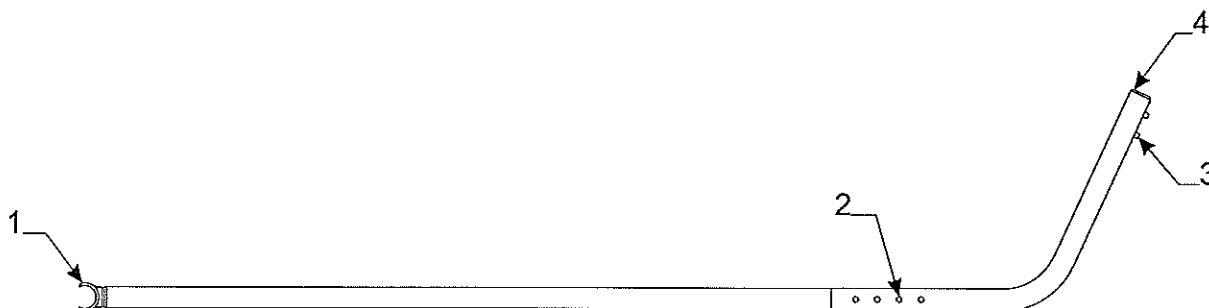
**WORLD FRIENDSHIP CO., LTD**  
 Warranty: 800-900-2468

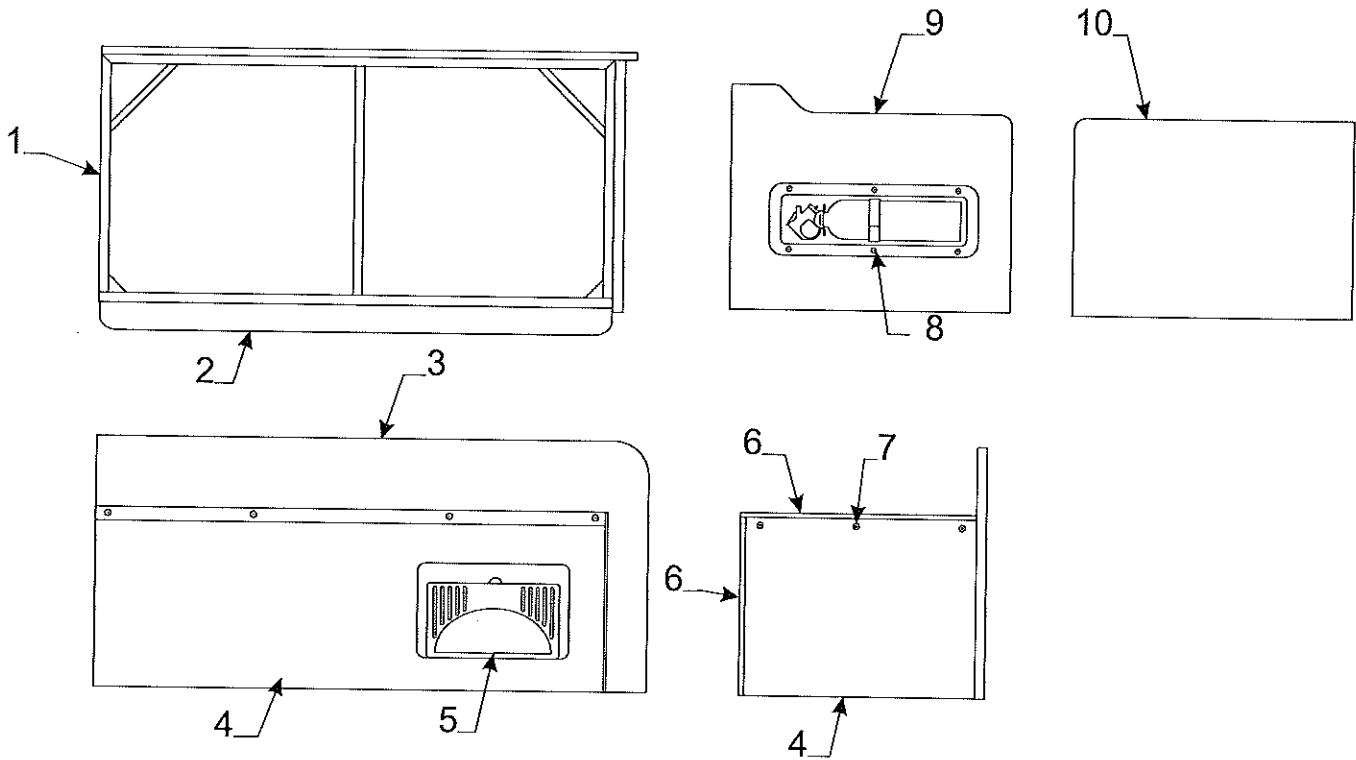


Flat Rate	Code	Part #	Description
1.00	1	4753E8201	converter 25 amp WFCO
.15	2	4716D1301	converter cover w/door (plastic)
.60	3	4772-1601	power cord 31 ft.
.35	4	4746B3841	15 amp GFI receptacle w/cover (wht.)
.35		4755-8321	20 amp GFI receptacle w/cover (wht.)
.20	5	4752-2371	20 amp receptacle w/cover (wht.)
.20	6	4752-2361	15 amp receptacle w/cover (wht.)
		4746A3851	receptacle box
	7	4752A8461	thermostat
.20	8	4701-2341	plastic base & bracket
.25	9	4753B9171	lp gas detector

Flat Rate	Code	Part #	Description
.20	1	4757-4301	tent support clasp m10
.10	2	4734-6708	spring assy.
.10	3	4734A6708	spring assy.
.10	4	4730B4648	tube closure

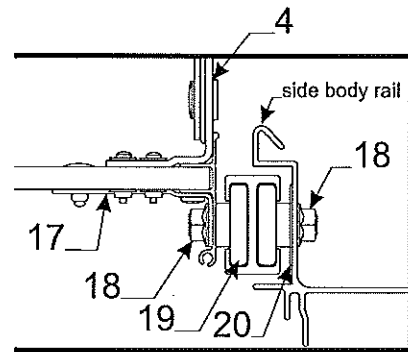
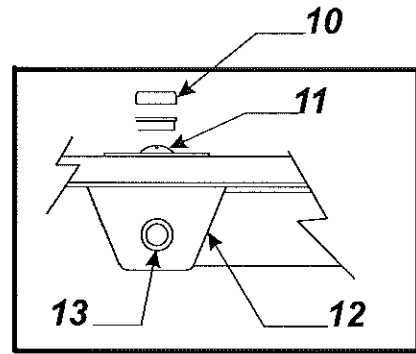
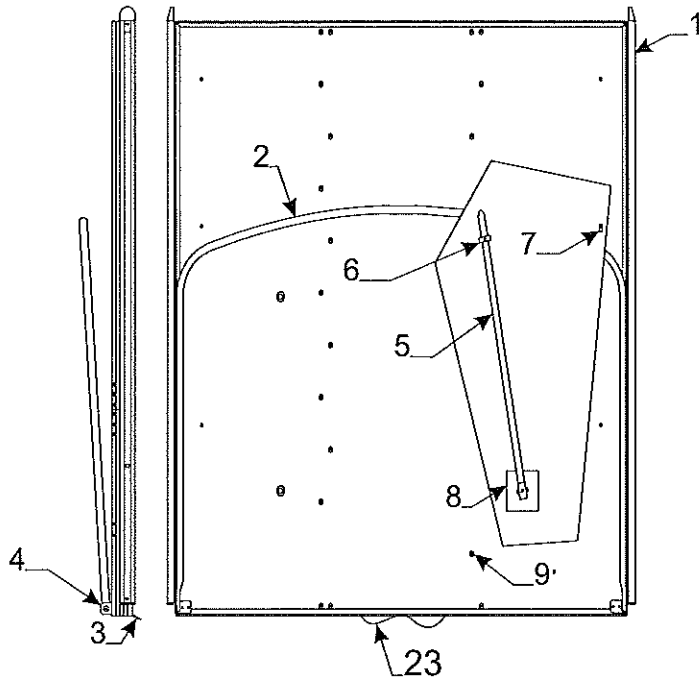
Tent Support Assemblies (Complete)		
Flat Rate .10 per Tent Support		
Model	Front Bed	Rear Bed
4128 Cobalt	4701B6601	4701-6591
4129 Graphite	4800-6781	4754C7501
4139 Neon	4701A6031	





\* Warranted Through Vendor

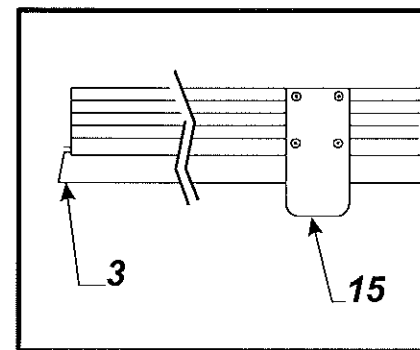
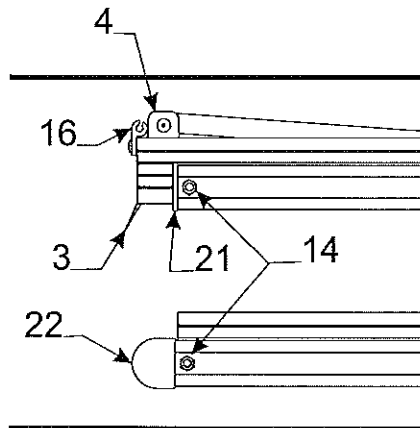
Seat Bench Component Parts 4128 Cobalt, 4129 Graphite			
Flat Rate	Code	Part #	Description
1.00	1	4701-705	frt./rr bench frame 4128 Cobalt
1.00		4701-514	cs/rs bench frame 4129 Graphite
.20	2	4701-4921	table support angle cs/rs 4128 Cobalt
.75	3	4701A8571	seat gazoodi back 4129 Graphite
		4064700091P	t-molding (8' pc. pkg.)
.30	4	6010415698P	universal paneling 48" x 48"
1.00	5	4753E8201	converter 25 amp WFCO
.15		4716D1301	converter cover w/door (plastic)
.65	6	4060115606P	5/32" f-channel 48" pc.
.50		4060015605P	5/32" u-channel 48" pc. M2
	7	4734J1861	rivet m25
		1202B0268	washer
.15	8	4701-1321	recessed mount
		4738-3088	screw x6
.05		4716-1191	fire extinguisher strap m2
.10		4737A5558	fire extinguisher
.75	9	4749H9881	cs seat end 4128 Cobalt
		4064700091P	t-molding (8' pc. pkg.)
.75	10	4749K9891	rs seat end 4128 Cobalt
		4064700091P	t-molding (8' pc. pkg.)

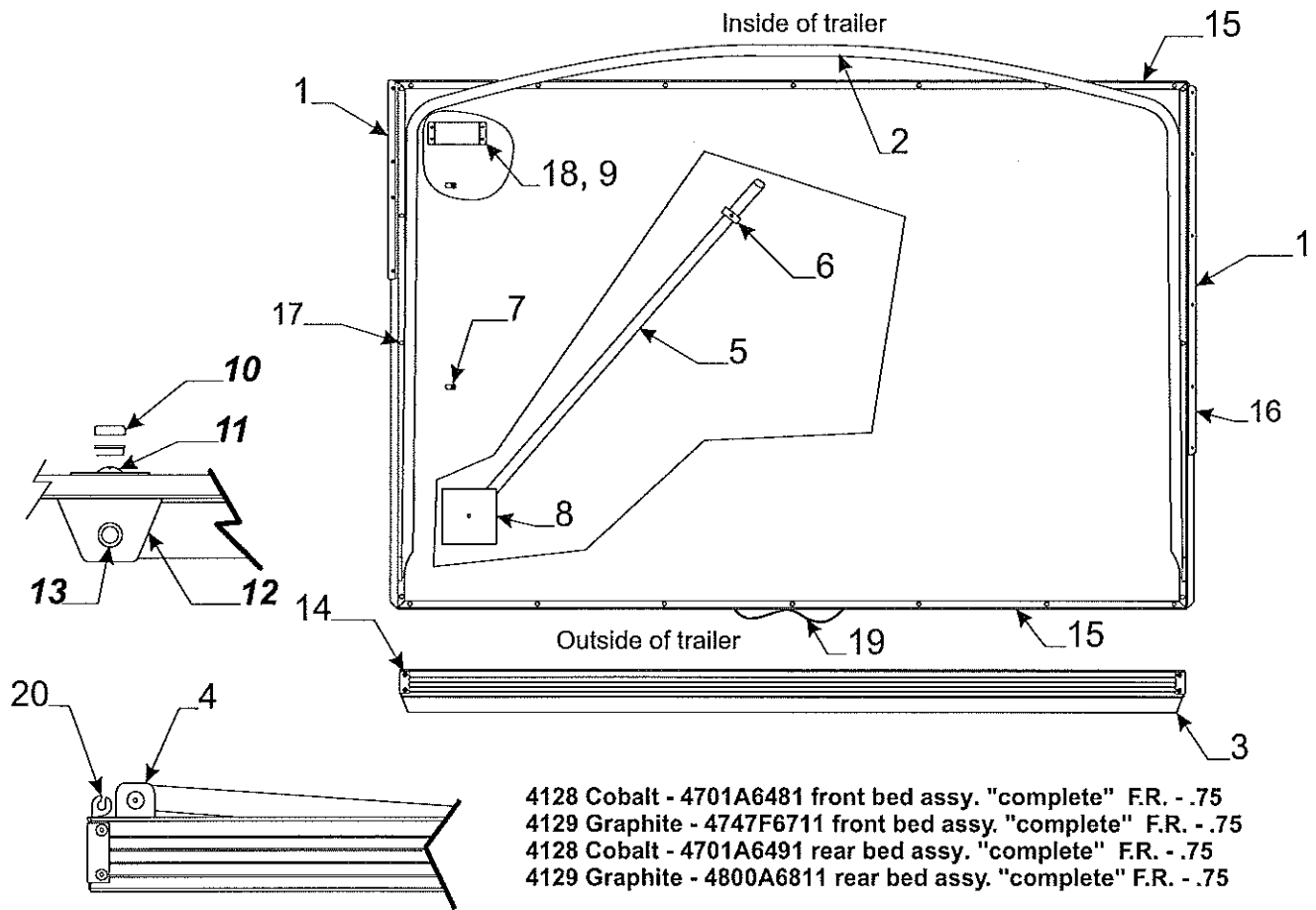


4139 Neon 4701-5881 Front Bed Assy. "Complete" F.R. - .75

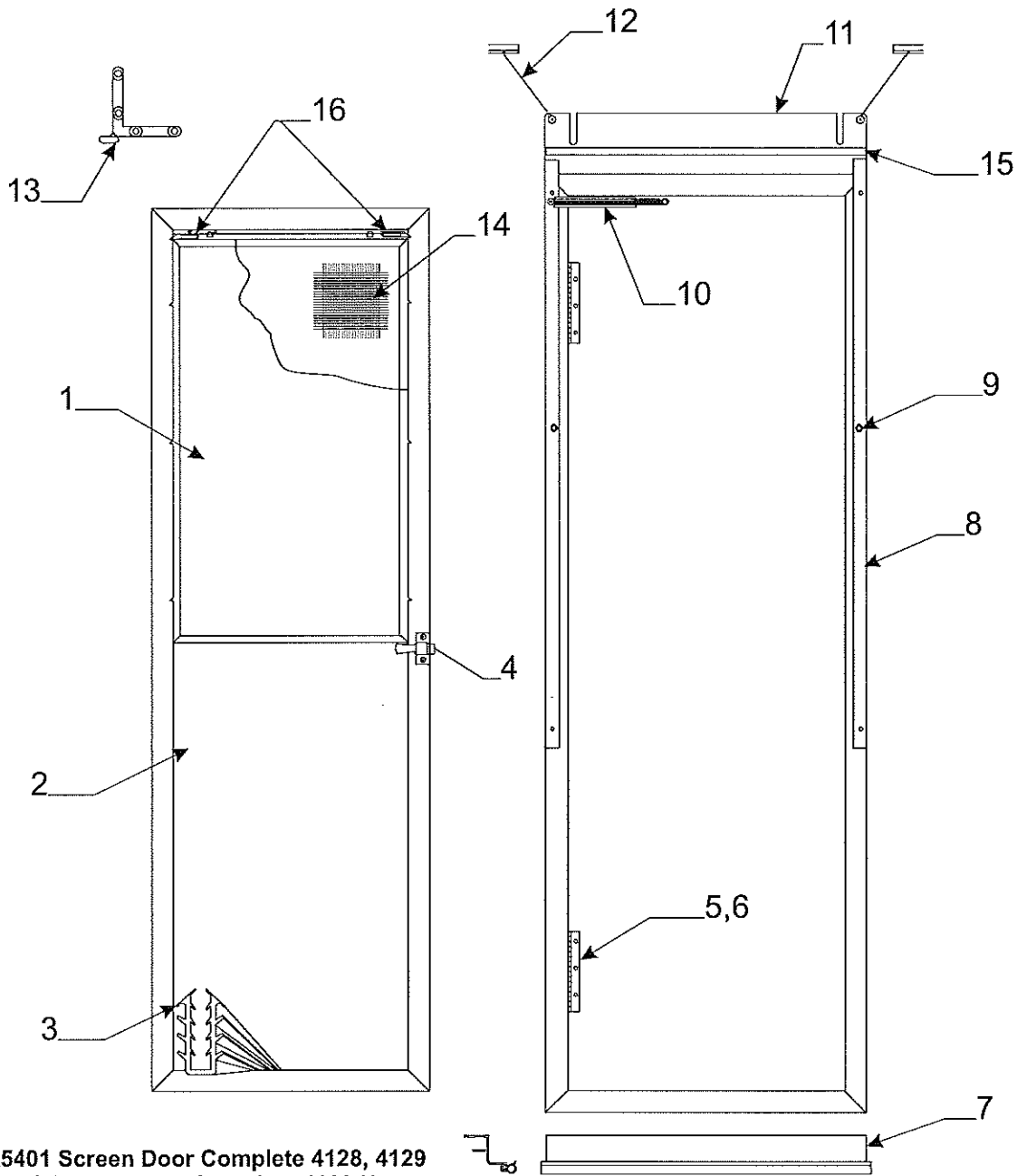
Flat Rate	Code	Part #	Description
**	1	4716U4031	bed extension (x2 per bed)
			<b>Note: must cut to size were applicable.</b>
.25	2	4701-3171	tent bow & leg package
.25	3	4060300339P	vinyl bed seal pkg. (8' pc.)
.15	4	4720K5631	bed bow bracket M2
.05		4757-9241	1 1/2" nylon fender washer m4
.30	5	4734E5881	bed leg assy. m2
.15	6	4720C0771	bed leg clip m4
		1203-8831	rivet m25 (rivet clip to bed)
.15	7	4720D4021	lashing hook m6
		1203-8741	rivet m25 (rivet hook to bed)
.20	8	4737A4178	support plate
	9	1203C8721	rivet m25
	10	4739E2908	screw cap m10
		4739-2918	screw cap washer m10
	11	4716-074	screw
		1202B2528	washer
.20	12	4734A5141	bed leg bracket
.20	13	4720A2361	rod & pal nut
.20	14	1034B16128	flat head screw
		1201B6378	lock nut
.25	15	4701-3211	kill switch plate
.20		4746C0971	kill switch
.50	16	4758-8301	tent retainer track & rivets
.20	17	4755A2591	bed brkt. w/mounting hardware x4
	18	4739-2298	lock nut
.50	19	4754-8101	bed roller, nut, bolt, & washer pkg.
	20	1202B2908	washer
.15	21	4754-8631	bed slide end cap
.15	22	4754-4821	bed slide wedge
.20	23	4758-9481	pull-out handle strap & rivets
		4758-8001	rivet "black" m25

\* .50 First Bed Extension  
\* .25 Second Bed Extension





Flat Rate	Frts. & Rear Bed Assy. Code	Components - Cobalt, Graphite Part #	Description	Flat Rate	Code	Part #	Description
.40	1	4747C4051	plastic bed slide 18"	.20	12	4734A5141	bed leg bracket
.40		4747C3691	plastic bed slide 40"		13	4720A2361	rod & pal nut
.40		4747D3691	plastic bed slide 48"	.20	14	4747A3221	corner angle x4
		4752-3061	rivet m25			1203-8641	rivet m25
.25	2	4714A1901	tent bow/leg package	.50	15	4747A3241	front & rear bed frame
.25	3	4060300339P	vinyl bed seal pkg. (8' pc.)	.60	16	4702-4041	side rail csf 4128 Cobalt
.15	4	4720K5631	bed bow bracket m2	.60		4702-4021	side rail rsr 4128 Cobalt
.20	5	4701-4881	frt./rear bed leg assy. Cobalt	.60		4702-3971	side rail csf 4129 Graphite
.20		4734E5881	frt./rear bed leg assy. Graphite	.60		4702-4001	side rail rsr 4129 Graphite
.15	6	4720C0771	bed leg clip m4	.60	17	4702-4031	side rail rsf 4128 Cobalt
		1203-8831	rivet m25	.60		4702-4011	side rail csr 4128 Cobalt
.15	7	4720D4021	lashing hook m6	.60		4702-3981	side rail rsf 4129 Graphite
		1203-8741	rivet m25	.60		4702-3991	side rail csr 4129 Graphite
.20	8	4737A4178	support plate	.20	18	4749B4891	bed stop
	9	1203C8721	rivet m25	.20	19	4758-9481	pull-out strap & rivets
	10	4739E2908	screw cap m10			4758-8001	rivet "black" m25
		4739-2918	screw cap washer m10	.50	20	4758-8301	tent retainer track & rivets
	11	4716-074	screw				<b>Note: must cut to size</b>
		1202B2528	washer				



4701A5401 Screen Door Complete 4128, 4129  
4701-6021 Screen Door Complete 4139 Neon

.30 Flat Rate Screen Door Complete

Note: parts marked w/\* asterisk are not included w/screen door

Flat Rate	Code	Part #	Description	Flat Rate	Code	Part #	Description
.10	1	4713-0141	top sliding window pane	.05	9	4730A3548	stud w/screw x2
.40	2	4701A1601	stationary window pane	.20	10	4731A8201	spring package
.15	3	406000086F	rubber seal (sold/foot) Note: around perimeter of window pane	.30	11	4758C0561	top bracket 4128, 4129
.15	4	*4742-9671	door latch assembly	.30		4701A3781	top bracket 4139 Neon
.15	5	4720C3601	hinge x2	.15	12	4734D5211	cabl assy. m6
	6	1203-8641	rivet m25	.15	13	4710-3791	corner brace hinge m2
.25	7	*4747B5621	screen door support	.14	14	4716-1381	screened stationary pane
		*4060000399F	rubber seal (sold/foot)	.75		4716-1111	screening 36" x 18 1/2"
.20	8	4754-3811	vel-stick (pkg. of 2)	.10	15	406000023P	d-seal "white" (5' pkg.)
				.50	16	4716-3811	window lock pkg. rt./lt.



**Cushion/Backrest Assemblies & Covers - 2007 Element Series Flat Rate .10 Assembly - .25 Cover**

<u>Model</u>	<u>Cushion Assembly</u>	<u>Cushion Cover</u>	<u>Model</u>	<u>Backrest Assembly</u>	<u>Backrest Cover</u>
4128 Cobalt	4701A6771	4713A6771	4128 Cobalt	4701-6761	4713-6761
4129 Graphite	4701A6841	4713A6841	4129 Graphite	4701-6851	4713-6851
4139 Neon	4701A6661	4713A6661	4139 Neon (x2)	4701-6671	4713-6671

Plastic Cushion Button - 4710-2681 m5

**Items used on Neon cushion assy.**

Washer - 1202B2528 x2  
 Screw - 1022B0820 x2  
 Plastic Spacer - 4724-2608 x2  
 Cushion leg - 4701-3751 x2  
 Tube closure - 4752A0561 m2

**Cushion & Backrest Dimensions**

<u>Model</u>	<u>Cushion Assy.</u>	<u>Backrest Assy.</u>
4128 Cobalt	40 5/8" x 17" x 4"	40" x 16 3/4" x 4"
4129 Graphite	39" x 17 1/2" x 4"	39 1/2" x 14" x 4"
4139 Neon	77 3/8" x 19 3/8" x 3"	39" x 10 3/8" x 3"

**Drape Package - FR .30**

4701B6641 - 4128 Cobalt  
 4701B6981 - 4129 Graphite  
 4701B6651 - 4139 Neon

**Drape Tab C-Shape m60 - 4750-2891 Flat Rate - .05**

**Privacy Curtain Pkgs. (Set of 2 Panels)**

.15 4713A6981 43" x 51 1/2" - Cobalt, Graphite  
 .15 4713A0511 32" x 51 1/2" - Neon

**Single Drape Panel w/Safety Straps**

.15 4713A0281 Single Drape Panel 48" x 48 1/2" - Cobalt, Neon  
 .15 4713A0301 Single Drape Panel 23 1/2" x 48 1/2" - Cobalt  
 .15 4713A0291 Single Drape Panel 30 1/2" x 48 1/2" - Graphite  
 .15 4713A0501 Single Drape Panel 60" x 48 1/2" - Graphite

**Drape Tie Package (Qty. 1) - Flat Rate - .05**

4701-5471

**Mattress Assemblies & Covers**

Flat Rate .50 per cover .10 Matt assy.

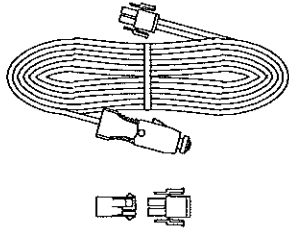
<u>Model</u>	<u>Frnt. Matt. assy.</u>	<u>Frnt. Matt. Cover</u>
4138 Neon	4701A3961	4713A3961
4128 Cobalt	4701A9431	4714A9431
4129 Graphite	4800-6821	4714-6821

<u>Model</u>	<u>Rear Matt. assy.</u>	<u>Rear Matt. Cover</u>
4128 Cobalt	4701A9431	4714A9431
4128 Graphite	4800-6831	4714-6831

**Mattress Assembly Dimensions**

<u>Model</u>	<u>Frnt. Matt. Assy.</u>	<u>Rear Matt. Assy.</u>
4138 Neon	77" x 52" x 3 1/2"	none
4128 Cobalt	72" x 56" x 3"	72" x 40" x 3"
4129 Graphite	72" x 72" x 3"	72" x 48" x 3"

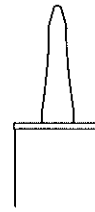
4733D6701 auto extension



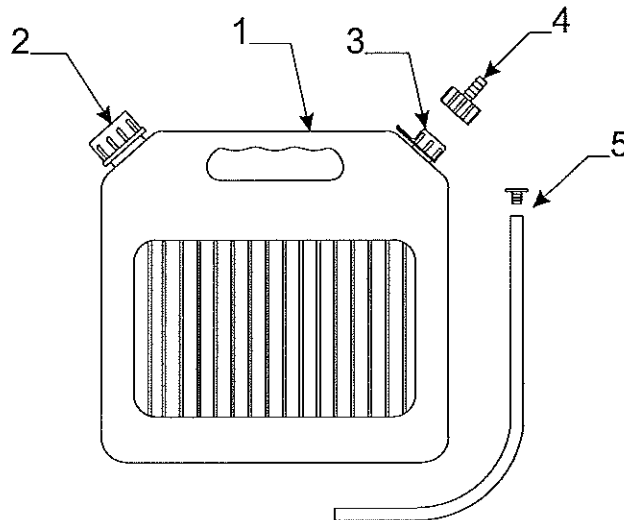
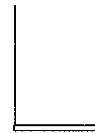
4716A4701 12 volt cap & plug m2



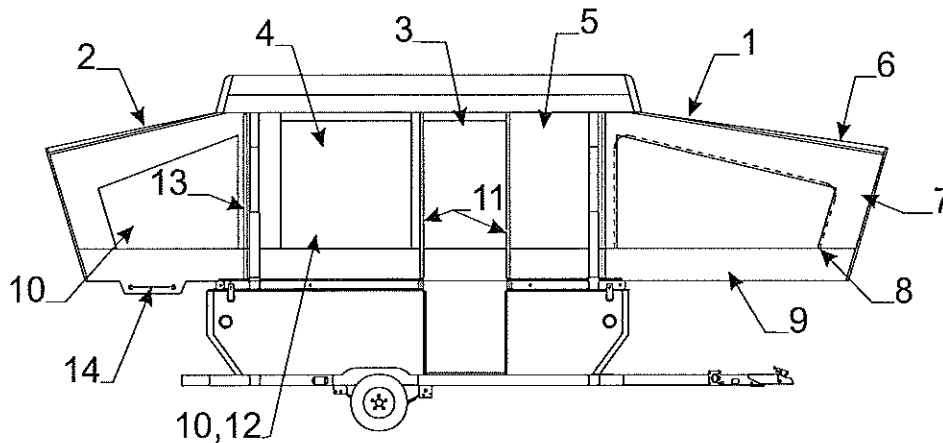
16 oz. spray  
 0008-2641 black "textured"  
 0008-2571 black  
 0008-2691 gray (body panel)



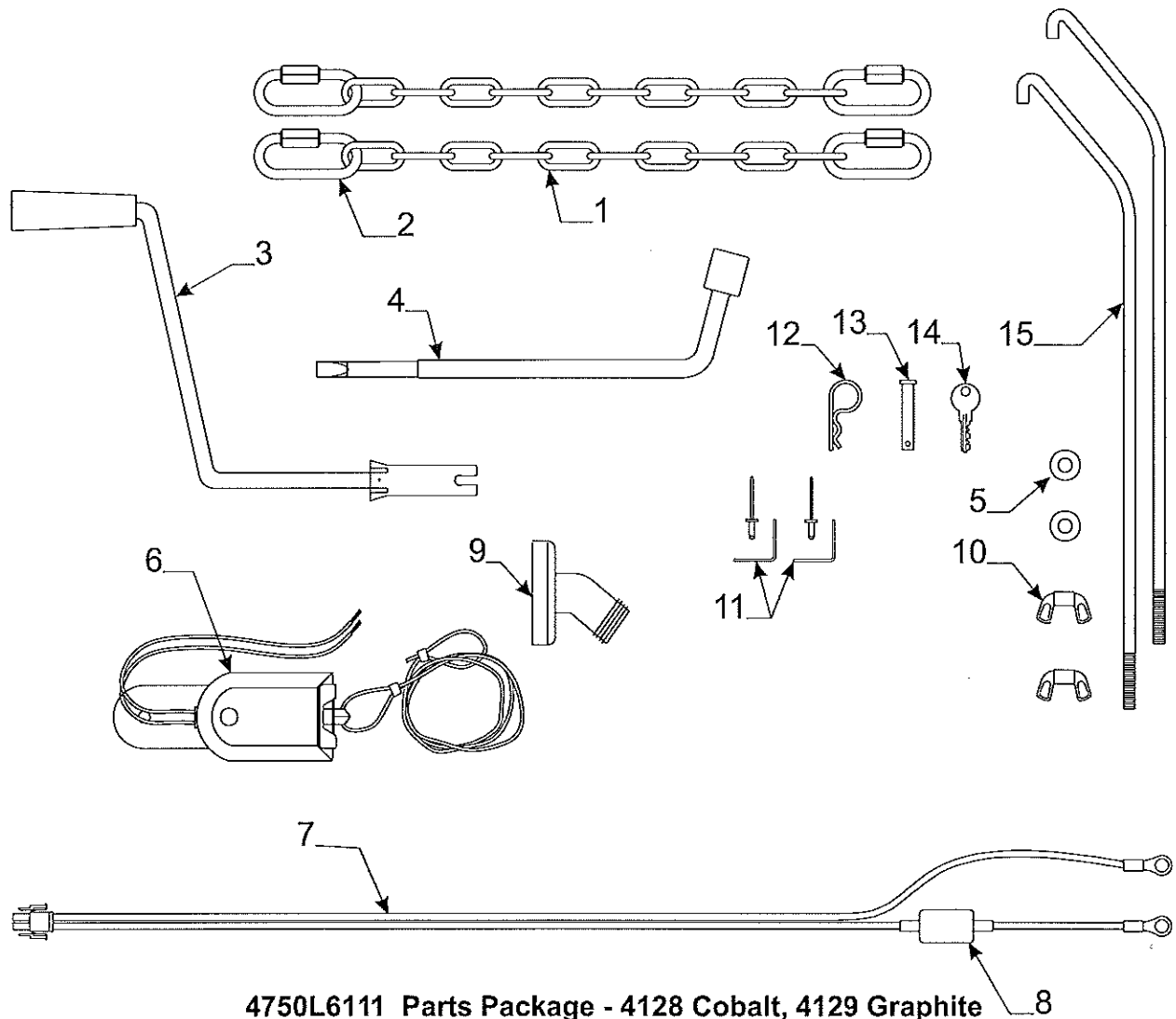
4701A1958  
 Caulking "Black"  
 4757A9298  
 Caulking Silicon "Black"



Flat Rate	Portable Water Tank - Cobalt, Graphite		
	Code	Part #	Description
.10	1	4735-2131	water tank 5 gal. (complete)
		4735C0988	water tank decal
	2	4714-0231	large cap
	3	4714-0221	small cap & strap
	4	4714-0241	barb stem & collar
	5	4714A0671	suction stem



Flat Rate	Sunbrella Tenting & Components Code	Part #	Description
.50	1	4701-6691	front boot 4128 Cobalt
.50		4800A6791	front boot 4129 Graphite
.50		4701-6141	front boot 4139 Neon
.50	2	4747H6531	rear boot 4128 Cobalt
.50		4800A6801	rear boot 4129 Graphite
.20	3	4747J6501	large window 4128 Cobalt
.20		4701-6941	large window 4129 Graphite
.20		4701-6171	roadside large window 4139 Neon
.20		4701-6181	curbside large window 4139 Neon
.20	4	4747J6521	small window 4128 Cobalt
.20		4701-6961	small window 4129 Graphite
.15	5	4757A7351	door seal 4128 Cobalt
.15		4701A6951	door seal 4129 Graphite
	6	8118501430P	top vinyl pkg. (85" x 3 yards)
	7	4716C0851	sunbrella patch package (12" x 14")
	8	6650500131F	zipper (sold/yard) used around window
		1225A4461	zipper pull m5
	9	8118001440P	black bottom vinyl facing pkg. (3 yd. x 80")
	10	4714E1611	screen package (84" x 3 yards)
		4714A0361	screen package (84" x 13 yards)
	11	4350000009P	1" velcro hook (10' pc. Pkg.)
	12	4716-2401	clear window vinyl (41" x 2 yards)
	13	1225-3658	52 1/2" side zipper pin half 4128, 4129
		1225-3668	52 1/2" side zipper slider half 4128, 4129
		1225G3478	50 1/2" side zipper pin half 4139 Neon
		1225G3468	50 1/2" side zipper slider half 4139 Neon
.50	14	4060000245CP	shock cord (150' package)
.50		4714C6021	shock cord & hooks m2 (two 14' lengths)
.15		4724A2011	shock cord termination (plastic hook) m10
	15	4060000024F	arrowhead seal (sold/foot)
.30	16	4757-6101	extension wire harness 4128, 4129
.30		4735D6721	extension wire harness 4139 Neon
.50	17	4743-1588	k-kote seam sealer
	18	4728-5641	tent retainer pkg.
.30	19	4710-1011	vinyl daubing "grey"
.30		4713-0311	vinyl daubing "black"



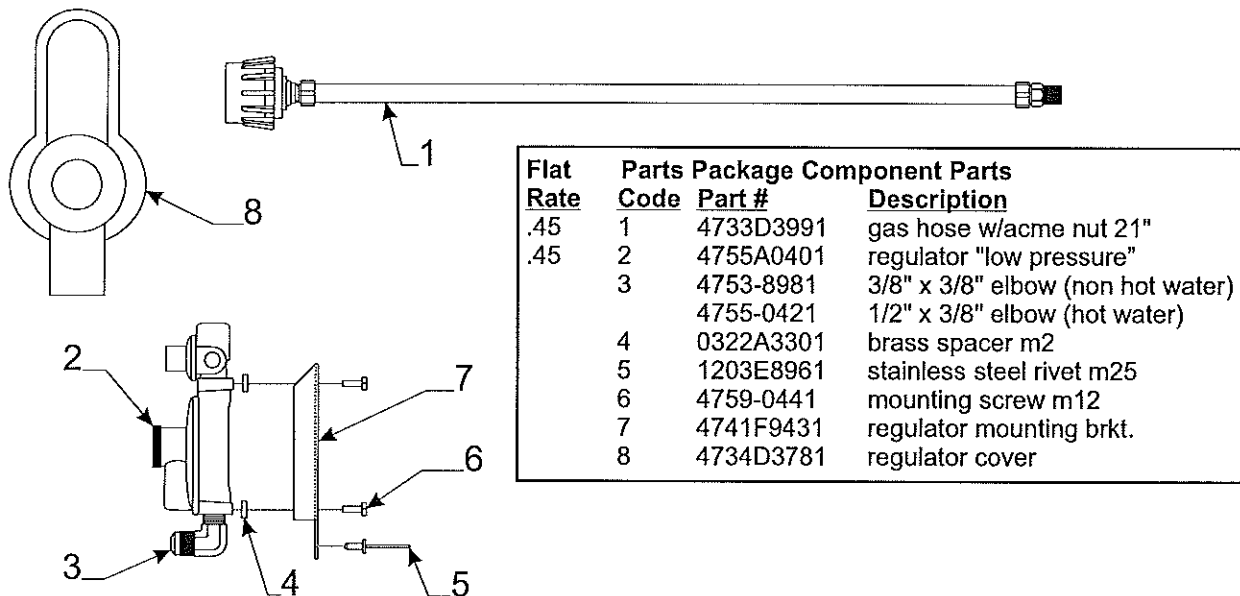
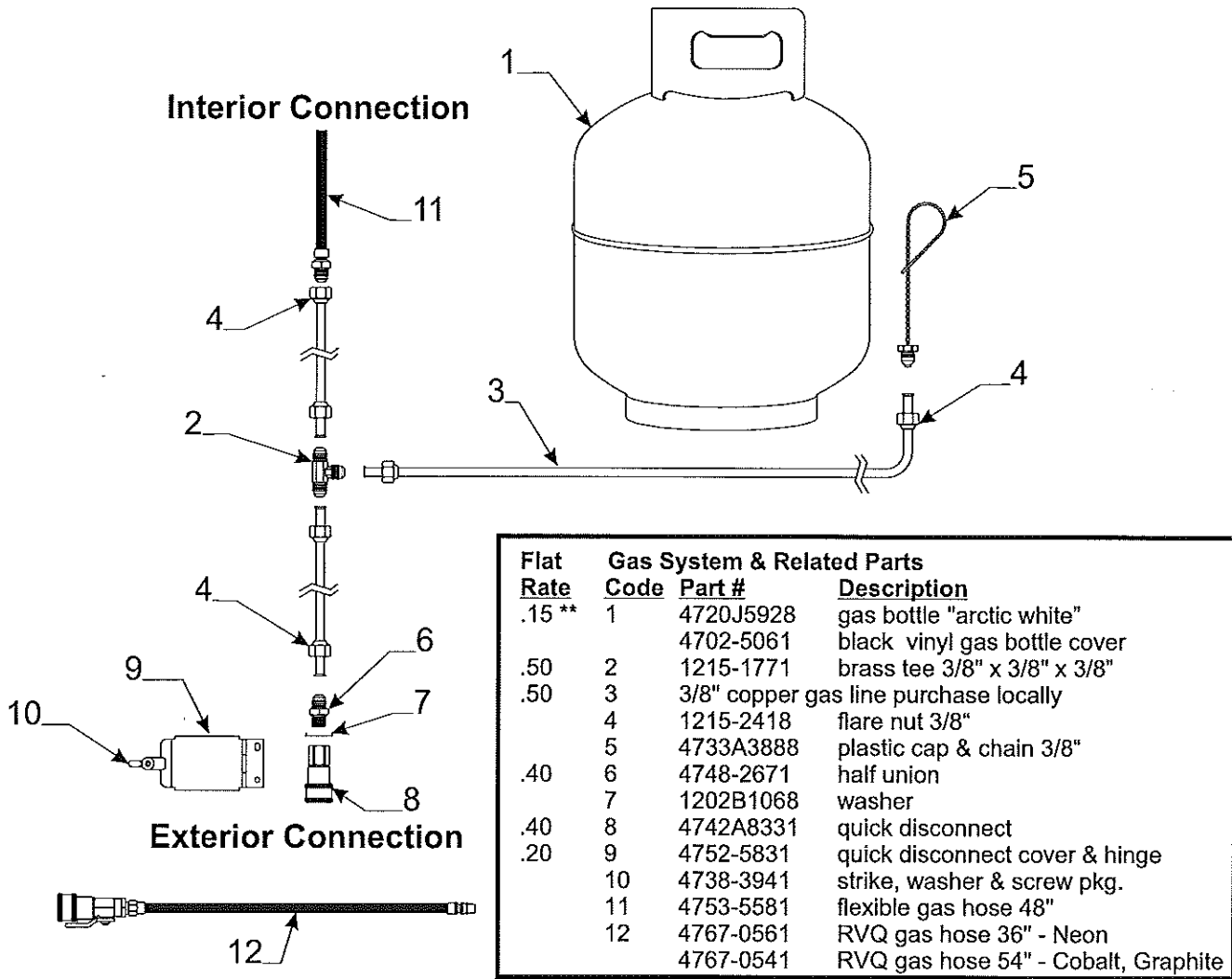
4750L6111 Parts Package - 4128 Cobalt, 4129 Graphite  
 4701A6191 Parts Package - 4139 Neon

**Parts Package Component Parts**

<u>Code</u>	<u>Part #</u>	<u>Description</u>
1	4757-3901	29" tow chain w/quick links m2
2	4757-3891	quick link (sold/signally)
3	4747G4141	crank handle - Cobalt, Graphite
	4701-3851	crank handle - Neon
4	4749A1861	lug nut wrench
5	1202B0468	washer x2 m10
6	4746-0401	breakaway switch
7	4749B5531	battery harness w/15 amp breaker
8	4751-4811	15 amp circuit breaker
9	4737-9138	drain adapter
10	1201-6258	wing nut x2
11	4753E6781	battery angle pkg.
12	4732A4791	safety pin m10
13	4771-2631	hitch pin m5
14	4730B3211	key m10 # 8025 (gold plated)
15	4733G6281	gas bottle mounting brkt. pkg.

Note: pkg. includes (2) wing nuts, washers

**\*\* Serial Number Of Gas Bottle Must Be Supplied When Submitting Warranty**



4701B6501	Top Assembly 4128 Cobalt F.R. - 3.00
4701B6881	Top Assembly 4129 Graphite F.R. - 3.00
4701B6001	Top Assembly 4139 Neon F.R. - 3.00

1.50 For A/C | 1.00 For Crossbars | 1.00 For Disposal

Flat Rate	Code	Part #	Description
.50	1	4713-0031	top corner pkg. (pkg. of 4)
		4356500043P	3/16" x 1" butyl tape (20' pc. pkg.)
	2	4758-9921	tek screw "black" m12
.50	3	4701-8261	canopy track "side" (must cut to size)
.50		4701-9411	canopy track "rear" 4139 Neon
1.00	4	4701-04991	center seam (must cut to size)
		4060400097F	vinyl screw cover (sold/foot)
		1103B0808	tapping screw #8 x 1/2"
		4354700034P	1/8" x 3/4" butyl tape (20' pc. pkg.)
.50	5	4701-490	frt./rr. seal extrusion 4128, 4129
		4701-369	frt./rr. seal extrusion 4139 Neon
.15	6	4701-0481	top strike m2
		4701-0531	torx head screw "black" m12
		1201B6958	nut (x2 per strike)
.15	7	4741F11381	tent support brkt.
		4741C9368	screw "painted" x2
.15	8	4737K5911	single dome light
		4758-1361	dome light lens
		1103B1028	screw x4
	9	4737-3211	rubber button m8
.30	10	4733H47181	screen door track x2
		4744B4611	expansion rivet m25
.20	11	4749C5571	screen door bracket
		4747-2558	expansion rivet m25
		4749-2138	snap button m2
		1203-8631	rivet m25
.15	12	4734D5211	screen door cable m6
	13	4730A3548	stud w/screw x2
.15	14	4723A5061	strap x2
.30	15	4060000093P	frt./rear tent track
		1103E1018	screw stainless steel
	16	1203-9258	plastic accordion rivet m25
	17	4754A9831	side cove x2 (must cut to size)
		4747-2558	expansion rivet m25
.20	18	4350400004F	vinyl tape (sold/foot)
	19	4767-3841	cove front/rear (must cut to size)
		4747-2558	expansion rivet m25
.30	20	4754B9851	side tent track (must cut to size)
		1103E1018	screw stainless steel
.20	21	4747D5521	lift pocket cover x4 (all)
		4741D3558	hole plug x2
		4351400005F	velcro loop (sold/yard)
.25	22	4741B5431	lift pocket x4
		1201B6378	lock nut ( x2 per pocket)
.15	23	4743-2501	plastic screen dr. latch pkg.
		Note: pkg. includes (2) latches & mounting hardware	
.50	24	4060100399P	rubber top seal (40' package)
	25	4728A5641	tent retaining pkg.
.05		4750-2891	drape tab c-shape m60
		4738-3088	screw
.75	26	4701-489	side seal extrusion 4128 Cobalt
.75		4701-843	side seal extrusion 4129 Graphite
.75		4701-370	cs side seal extrusion 4139 Neon
.75		4701-371	rs side seal extrusion 4139 Neon
.25	27	4761-1958	fleetwood decal
.15	28	4767A4641	carbon monoxide detector
	29	4767A430	roof brace 4129 Graphite

